



US00D817952S

(12) **United States Design Patent** (10) **Patent No.:** **US D817,952 S**
Choi et al. (45) **Date of Patent:** **** May 15, 2018**

(54) **PORTABLE ELECTRONIC DEVICE**

(56) **References Cited**

(71) Applicant: **Samsung Electronics Co., Ltd.**,
Suwon-si (KR)

U.S. PATENT DOCUMENTS

(72) Inventors: **Kwangha Choi**, Seoul (KR); **Sanhui Oh**, Seoul (KR); **Yongseok Bang**,
Yongin-si (KR); **Jaehyung Hong**, Seoul
(KR)

D287,341 S * 12/1986 Grimes D10/30
D287,470 S * 12/1986 Houlihan D10/30
D349,062 S * 7/1994 Goto D10/30
D364,822 S * 12/1995 Sakai D10/38
D379,326 S * 5/1997 Riley D10/128
D380,391 S * 7/1997 Osit D10/30

(Continued)

(73) Assignee: **SAMSUNG ELECTRONICS CO., LTD.**, Suwon-si (KR)

Primary Examiner — Sandra S Snapp

Assistant Examiner — Katherine Glennon

(**) Term: **15 Years**

(74) *Attorney, Agent, or Firm* — McAndrews Held & Malloy, Ltd.

(21) Appl. No.: **29/582,577**

(22) Filed: **Oct. 28, 2016**

(57) **CLAIM**

(30) **Foreign Application Priority Data**

The ornamental design for a portable electronic device, as shown and described.

Jul. 18, 2016 (KR) 30-2016-0034890

(51) **LOC (11) Cl.** **14-02**

(52) **U.S. Cl.**
USPC **D14/344**; D10/30

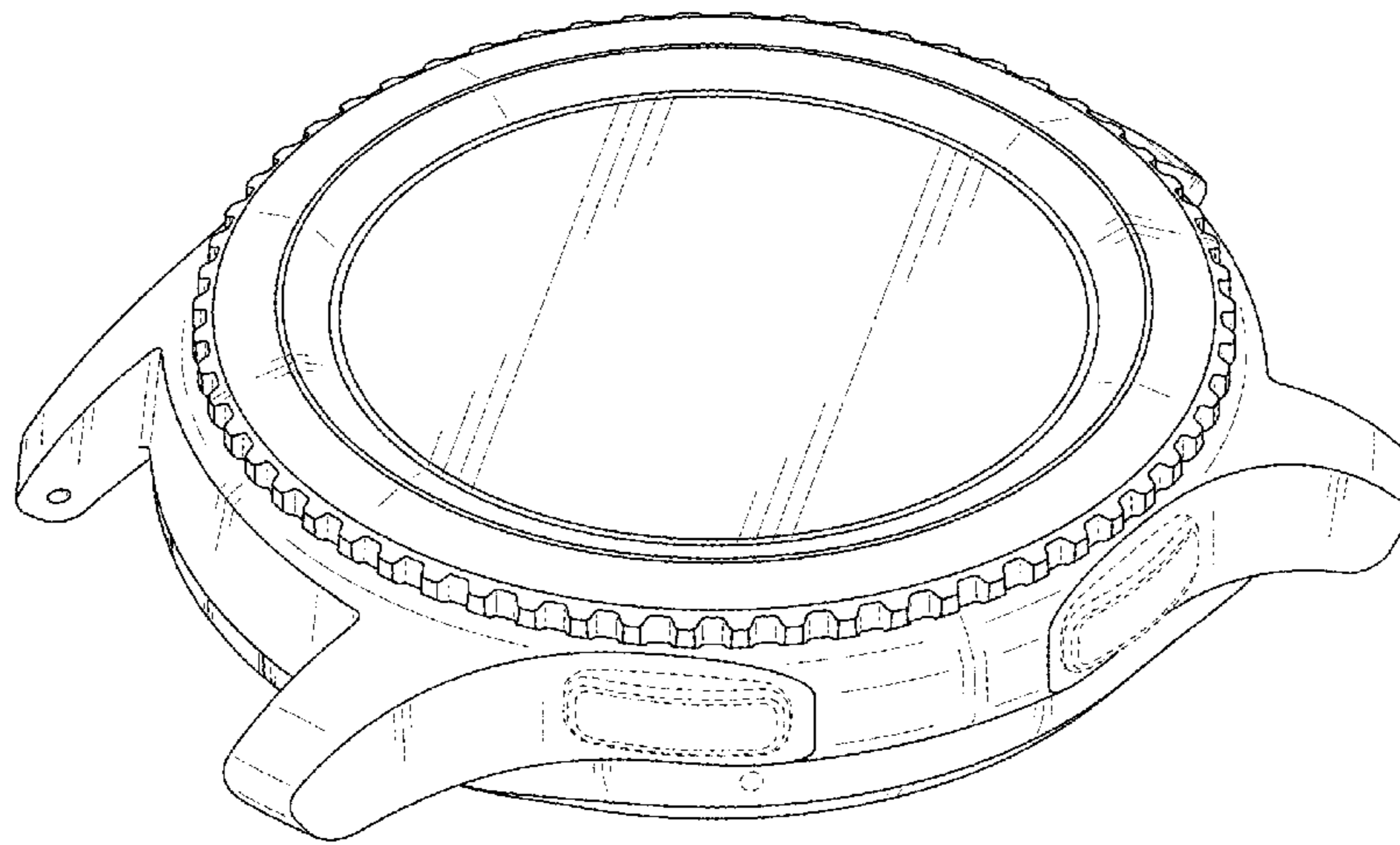
DESCRIPTION

(58) **Field of Classification Search**
USPC D10/22, 30–32, 37–39, 65, 70, 98, 103,
D10/122–124, 126–128, 131; D14/344
CPC A44C 5/16; A44C 5/22; A44C 5/24; A44C
5/243; A44C 5/246; A44C 5/10; A44C
5/102; A44C 5/105; A44C 5/107; A44C
5/02; A44C 5/027; A44C 5/00; A44C
5/0053; A44C 5/0076; A44C 5/0069;
G04B 19/06; G04B 19/08; G04B 19/085;
G04B 19/103; G04B 19/12; G04B 19/18;
G04B 19/22; G04B 19/223; G04B 19/24;
G04B 19/26; G04B 19/283; G04B 19/30;
G04B 19/00; G04B 19/025; G04B 19/04;
G04B 3/046; G04B 3/048; G04B 37/106;
G04B 3/001; G04B 37/1486; G04F 7/08;
G04F 7/0804; G04F 7/0842; G04F
7/0852; G04F 7/0857; G04F 7/0861;
G04F 7/0871; G04F 7/0876

FIG. 1 is a front perspective view of a portable electronic device showing our new design;
FIG. 2 is a front elevation view thereof;
FIG. 3 is a rear elevation view thereof;
FIG. 4 is a left side elevation view thereof;
FIG. 5 is a right side elevation view thereof;
FIG. 6 is a top plan view thereof;
FIG. 7 is a bottom plan view thereof;
FIG. 8 is a rear perspective view thereof; and,
FIG. 9 is a front perspective view thereof, showing example environment.
The dashed broken lines in the drawings represent portions of the portable electronic device that form no part of the claimed design. The dot-dot-dash broken lines showing of the watch strap in FIG. 9 are for the purpose of illustrating environmental structure and form no part of the claimed design.

See application file for complete search history.

1 Claim, 9 Drawing Sheets



(56)

References Cited

U.S. PATENT DOCUMENTS

D383,402	S	*	9/1997	Takeichi	D10/30
D430,042	S	*	8/2000	Schopfer	D10/32
D440,162	S	*	4/2001	McKenzie	D10/31
D455,971	S	*	4/2002	Yamamoto	D10/39
D502,408	S	*	3/2005	Lalo	D10/30
D518,388	S	*	4/2006	Bitetto	D10/31
D518,743	S	*	4/2006	Sugiura	D10/32
D536,266	S	*	2/2007	Tomimatsu	D10/38
D536,268	S	*	2/2007	Asakawa	D10/38
D536,626	S	*	2/2007	Kachi	D10/31
D536,994	S	*	2/2007	Sugisawa	D10/31
D536,997	S	*	2/2007	Asakawa	D10/38
D537,367	S	*	2/2007	Oshita	D10/31
D538,182	S	*	3/2007	Lalo	D10/32
D554,539	S	*	11/2007	Galliano	D10/32
D555,515	S	*	11/2007	Krieger	D10/31
D672,664	S	*	12/2012	Monachon	D10/32
D684,486	S	*	6/2013	Messmer	D10/39
D686,092	S	*	7/2013	Schoepfer	D10/39
D695,637	S	*	12/2013	Jacquerye	D10/39
D731,327	S	*	6/2015	Schoepfer	D10/39
D740,704	S	*	10/2015	Park	D10/38
D741,206	S	*	10/2015	Lim	D10/38
D742,260	S	*	11/2015	Park	D10/30
D743,282	S	*	11/2015	Park	D10/30
D755,178	S	*	5/2016	Solomon	D10/38
D772,868	S	*	11/2016	Park	D10/39
D773,458	S	*	12/2016	Park	D10/39
D797,098	S	*	9/2017	Bang	D14/344
D803,210	S	*	11/2017	Bang	D14/344

* cited by examiner

FIG. 1

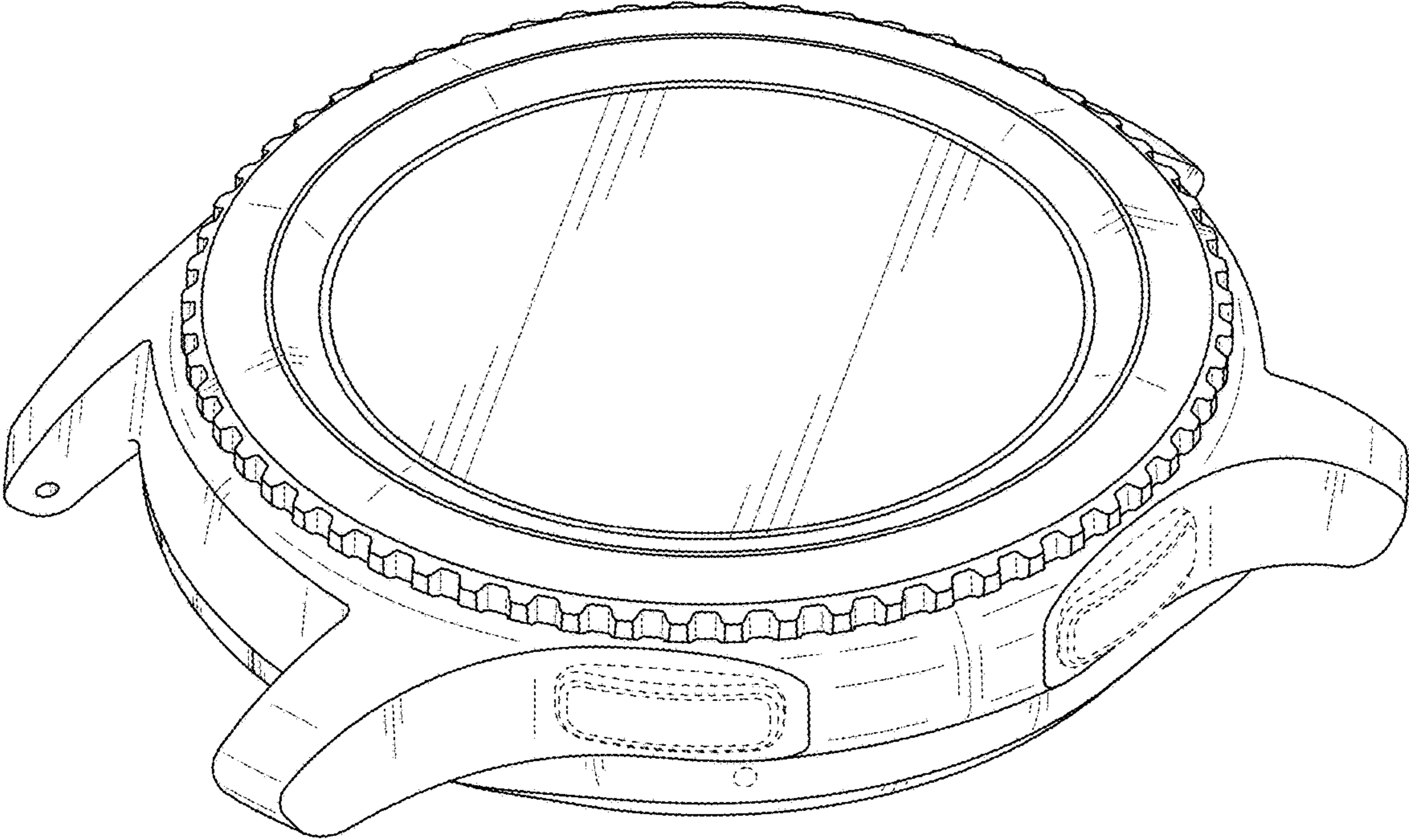


FIG. 2

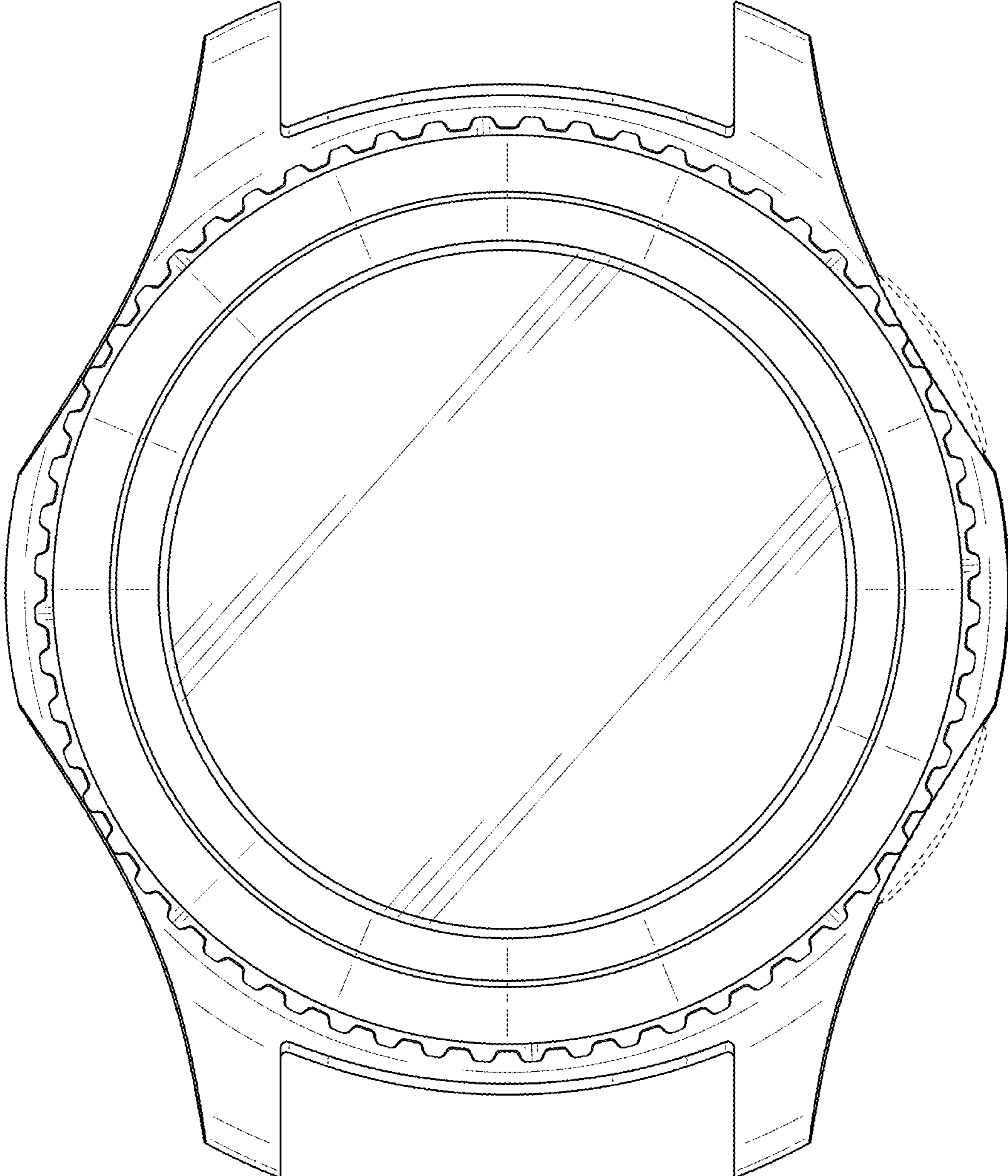


FIG. 3

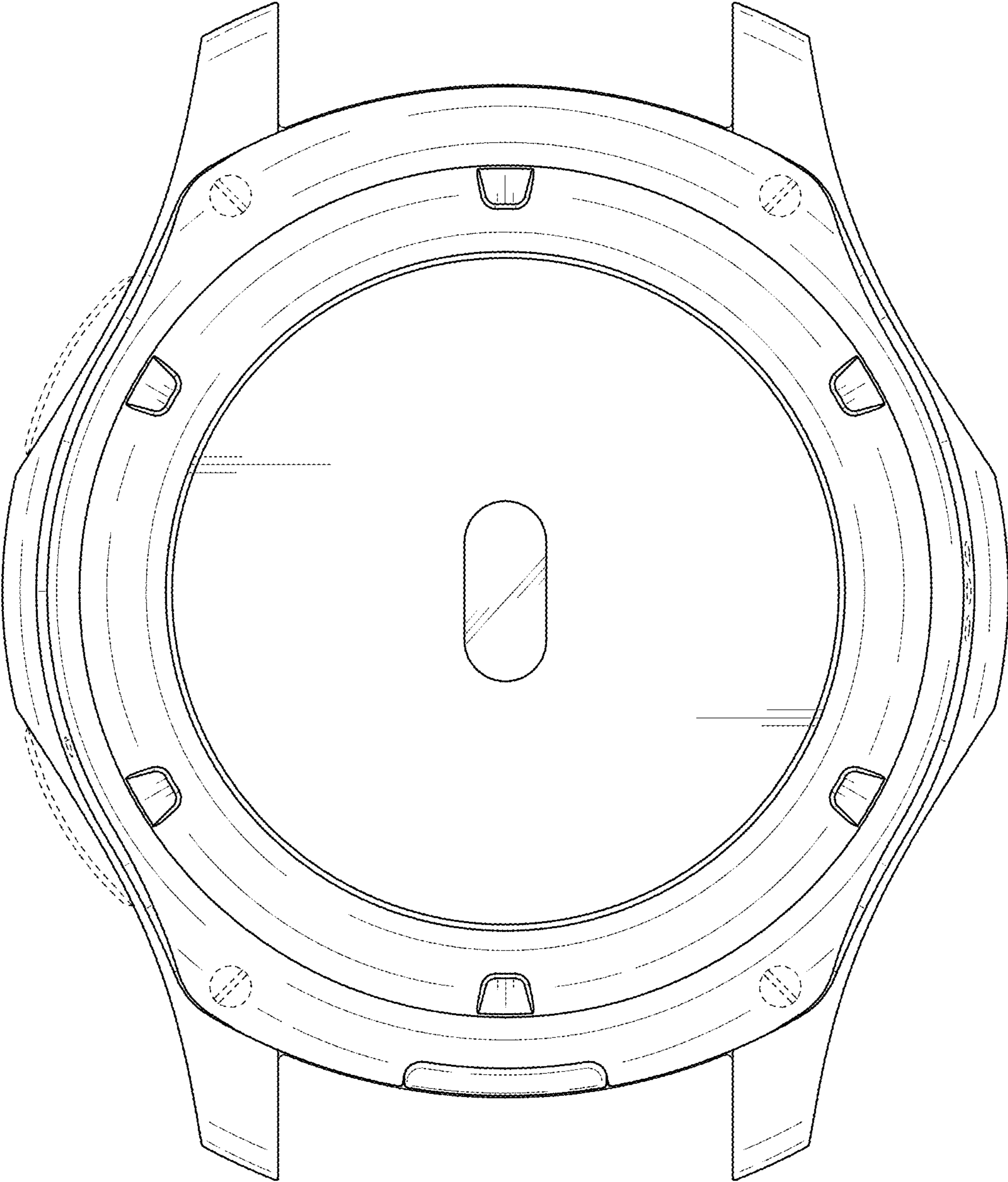


FIG. 4

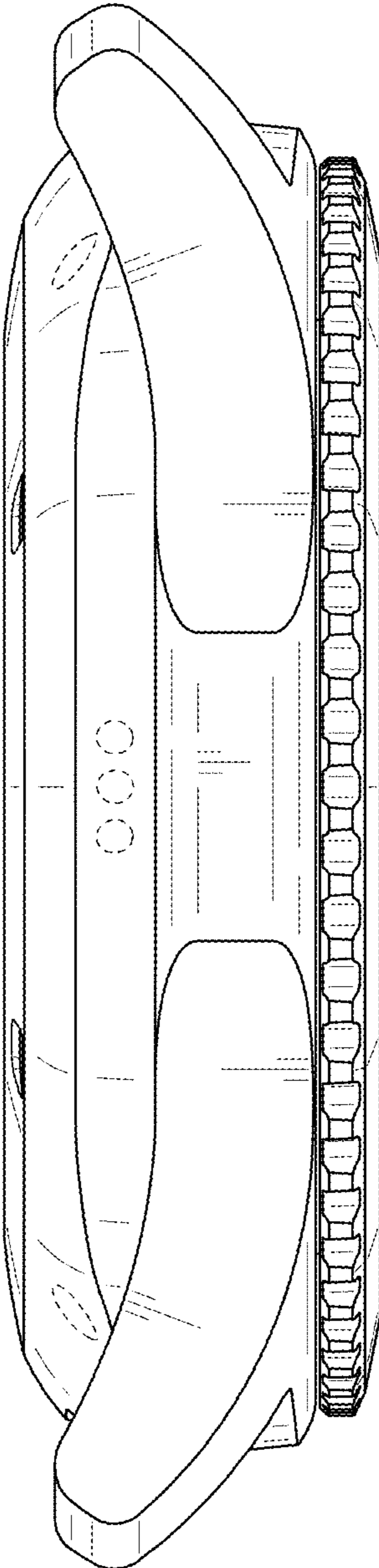


FIG. 5

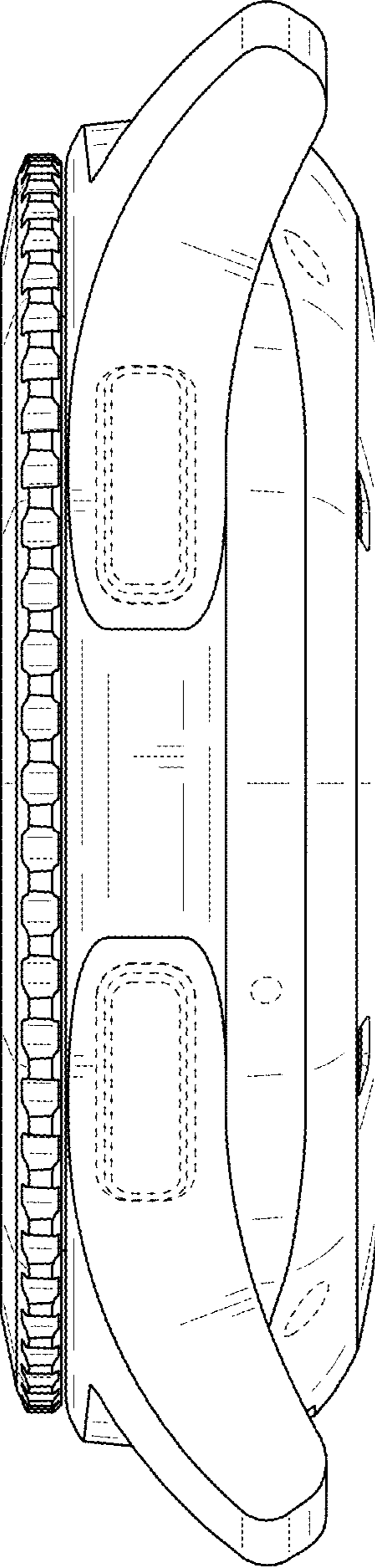


FIG. 6

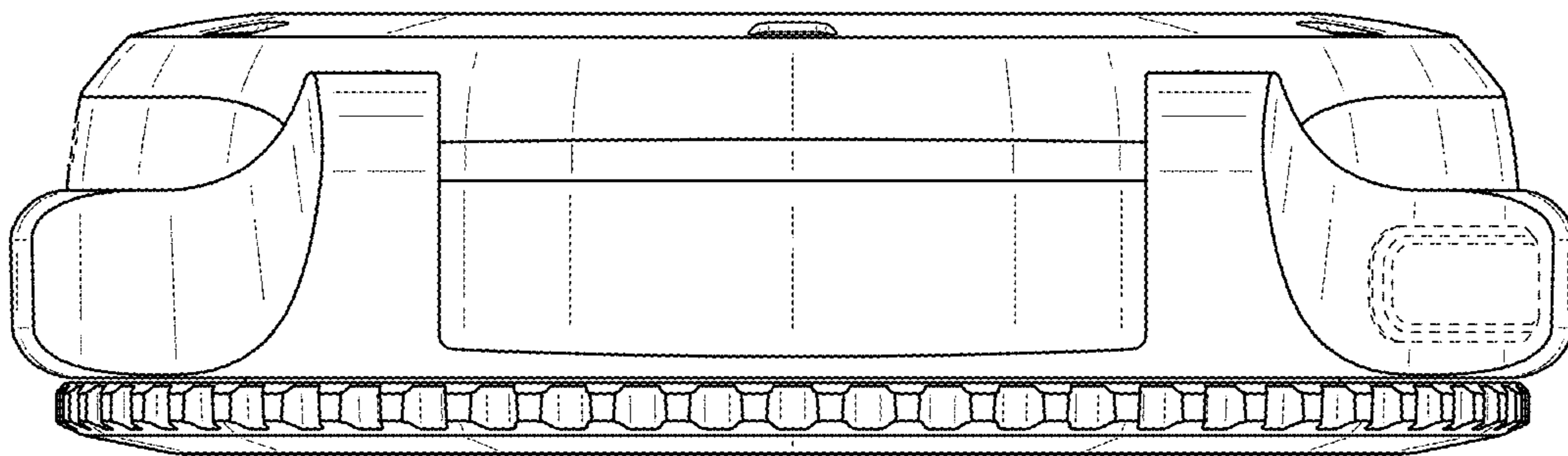


FIG. 7

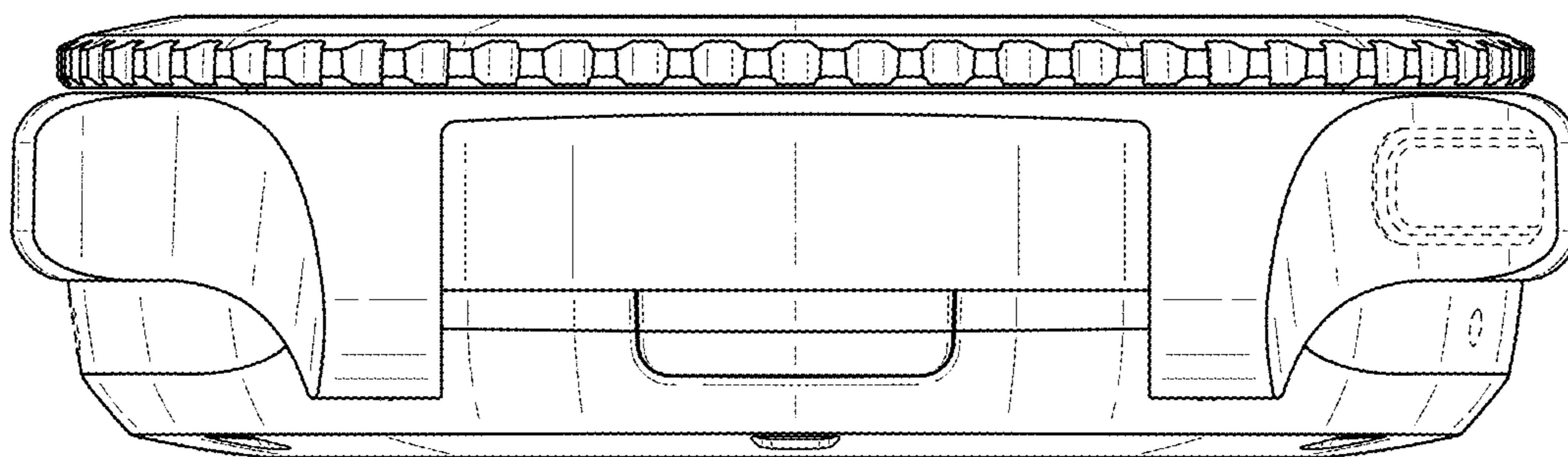


FIG. 8

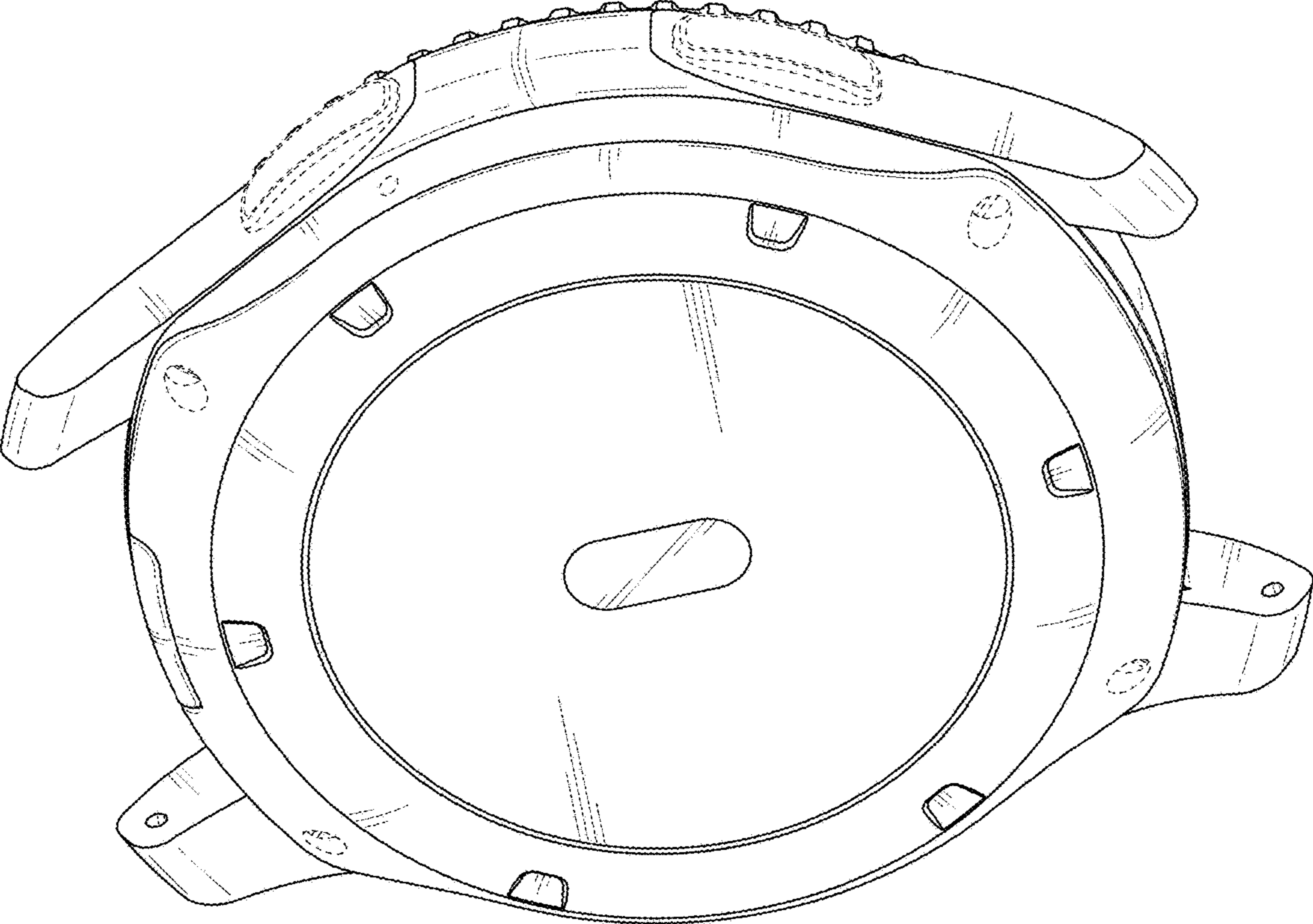


FIG. 9

