



US00D817948S

(12) **United States Design Patent**  
**Vienneau**

(10) **Patent No.:** **US D817,948 S**

(45) **Date of Patent:** **\*\* May 15, 2018**

- (54) **TERMINAL KIOSK**
- (71) Applicant: **Nanoptix Inc.**, Dieppe (CA)
- (72) Inventor: **Daniel Vienneau**, Dieppe (CA)
- (73) Assignee: **Nanoptix Inc.**, New Brunswick (CA)
- (\*\*) Term: **15 Years**
- (21) Appl. No.: **29/595,009**
- (22) Filed: **Feb. 24, 2017**
- (51) **LOC (11) Cl.** ..... **14-02**
- (52) **U.S. Cl.**  
USPC ..... **D14/307**
- (58) **Field of Classification Search**  
USPC ..... D14/302-307, 900-902; D13/163;  
D20/10; D21/332, 325, 369, 370;  
D99/28; D6/397, 466; 194/206;  
361/679.01, 679.02, 679.04, 679.21,  
361/679.57, 725  
CPC ..... G06Q 20/18; G06Q 20/10; G06Q 20/123;  
G06Q 20/20; G06Q 30/02; G06Q 30/06;  
A47F 9/047  
See application file for complete search history.

9,256,720	B2	*	2/2016	Berini	.....	G06F 21/32
D751,061	S	*	3/2016	Berini	.....	D14/307
D760,711	S	*	7/2016	Berini	.....	D14/307
D769,864	S	*	10/2016	Hoffmann	.....	D14/307
D778,276	S	*	2/2017	Berini	.....	D14/307
D788,098	S	*	5/2017	Thornton	.....	D14/307
D795,242	S	*	8/2017	Birgeoglu	.....	D14/307
D799,470	S	*	10/2017	Brown	.....	D14/307
D799,471	S	*	10/2017	Brown	.....	D14/307
D800,715	S	*	10/2017	Kane	.....	D14/307
D805,065	S	*	12/2017	Taylor	.....	D14/307

\* cited by examiner

*Primary Examiner* — Austin Murphy

(74) *Attorney, Agent, or Firm* — Servilla Whitney LLC

(57) **CLAIM**

The ornamental design for a terminal kiosk, substantially as shown and described.

**DESCRIPTION**

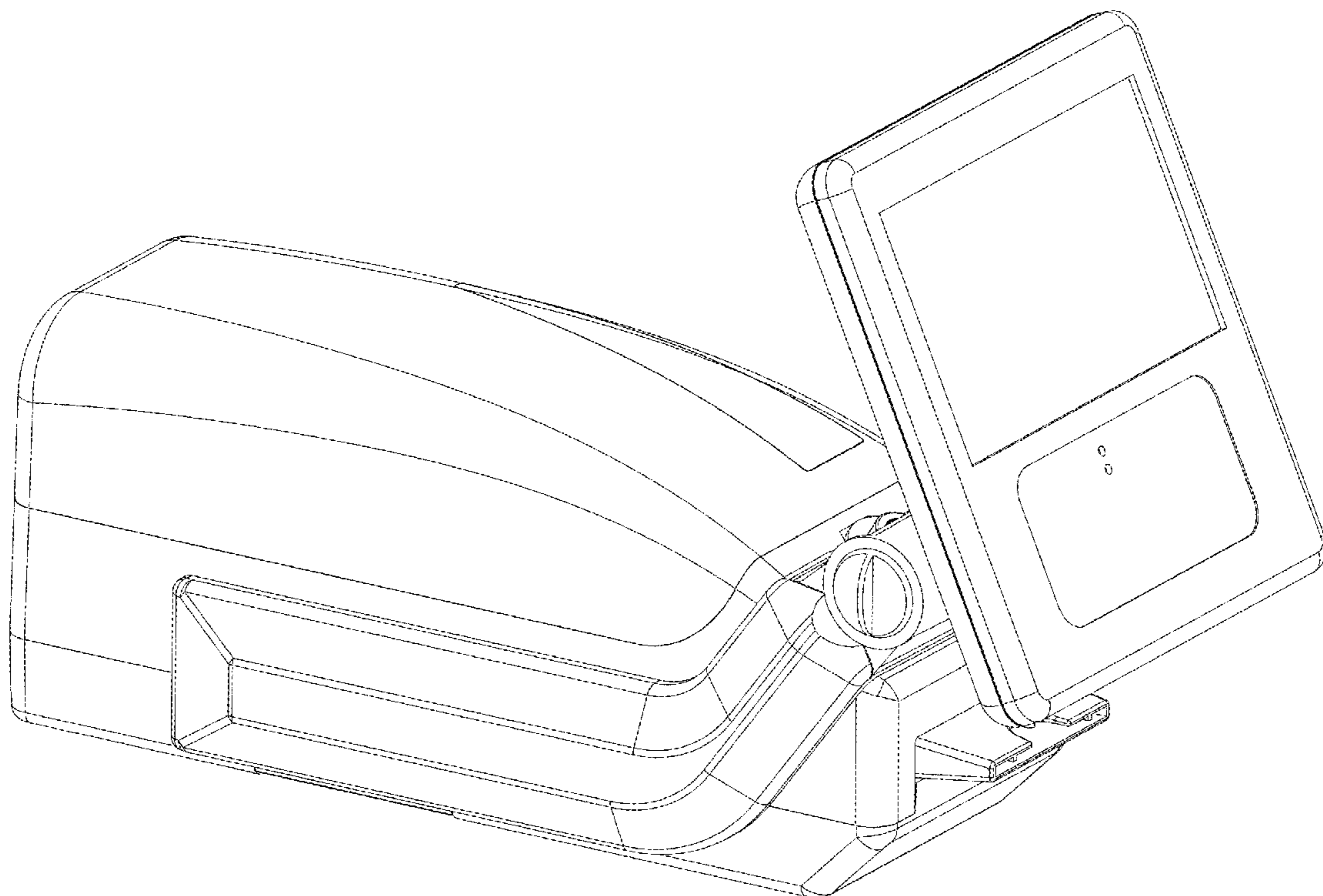
FIG. 1 is a front isometric view of a terminal kiosk; FIG. 2 is a rear isometric view of the terminal kiosk; FIG. 3 is a front view of the terminal kiosk; FIG. 4 is a left side view of the terminal kiosk; FIG. 5 is a right side view of the terminal kiosk; and, FIG. 6 is a top view of the terminal kiosk.

**1 Claim, 6 Drawing Sheets**

(56) **References Cited**

U.S. PATENT DOCUMENTS

D727,307	S	*	4/2015	Kraft	.....	D14/307
D742,870	S	*	11/2015	Berini	.....	G06F 21/32 D14/307



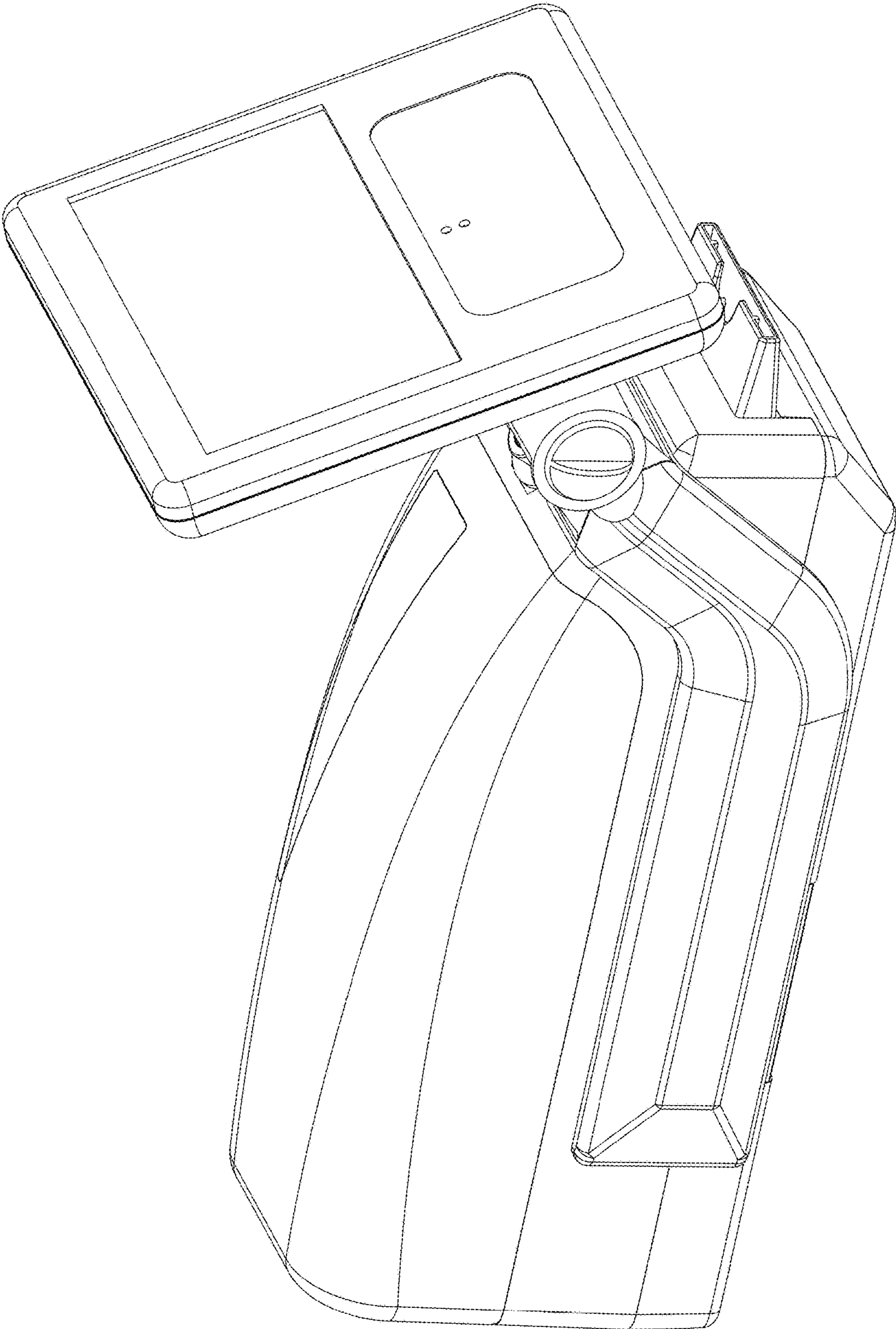


FIG. 1

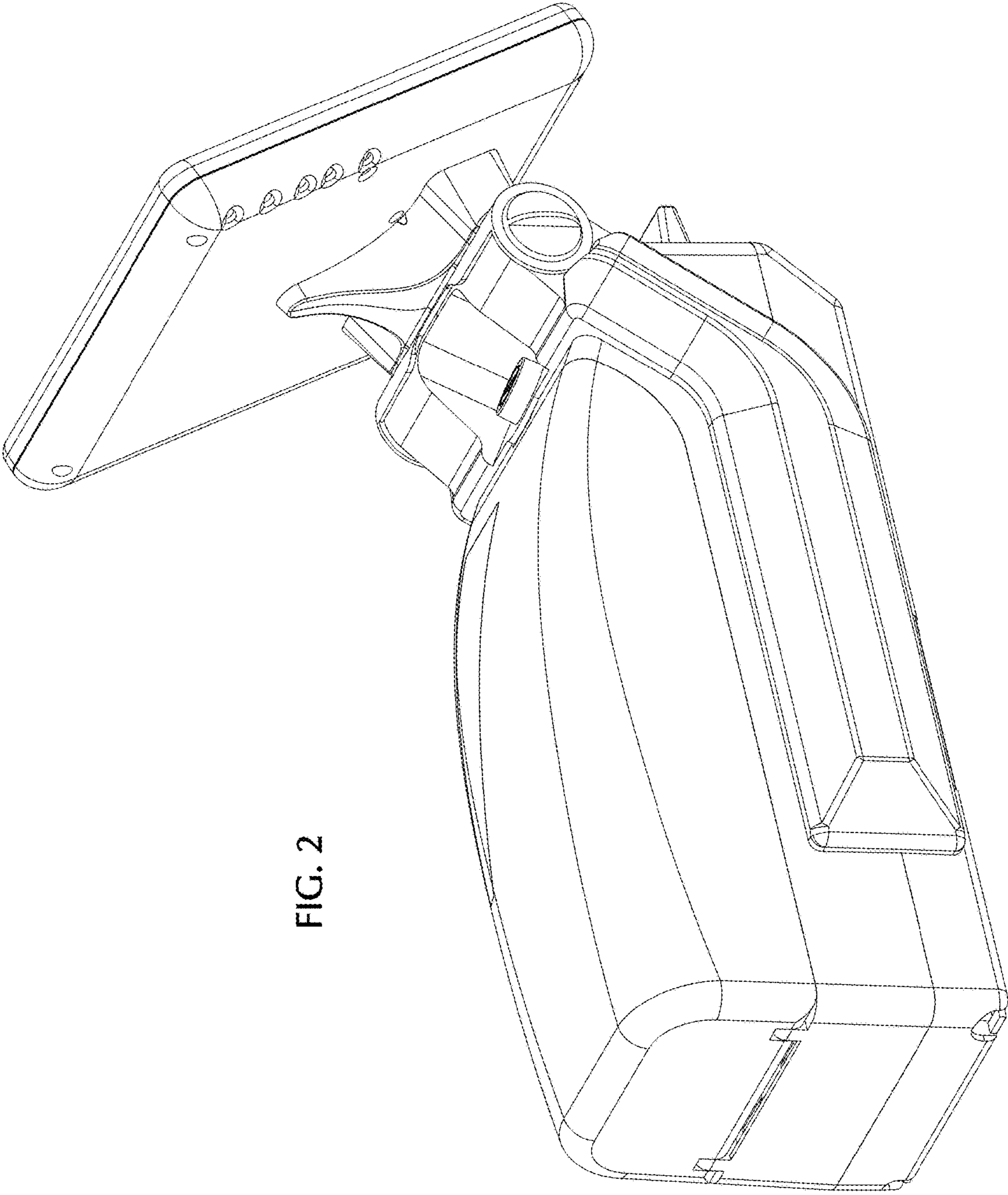


FIG. 2

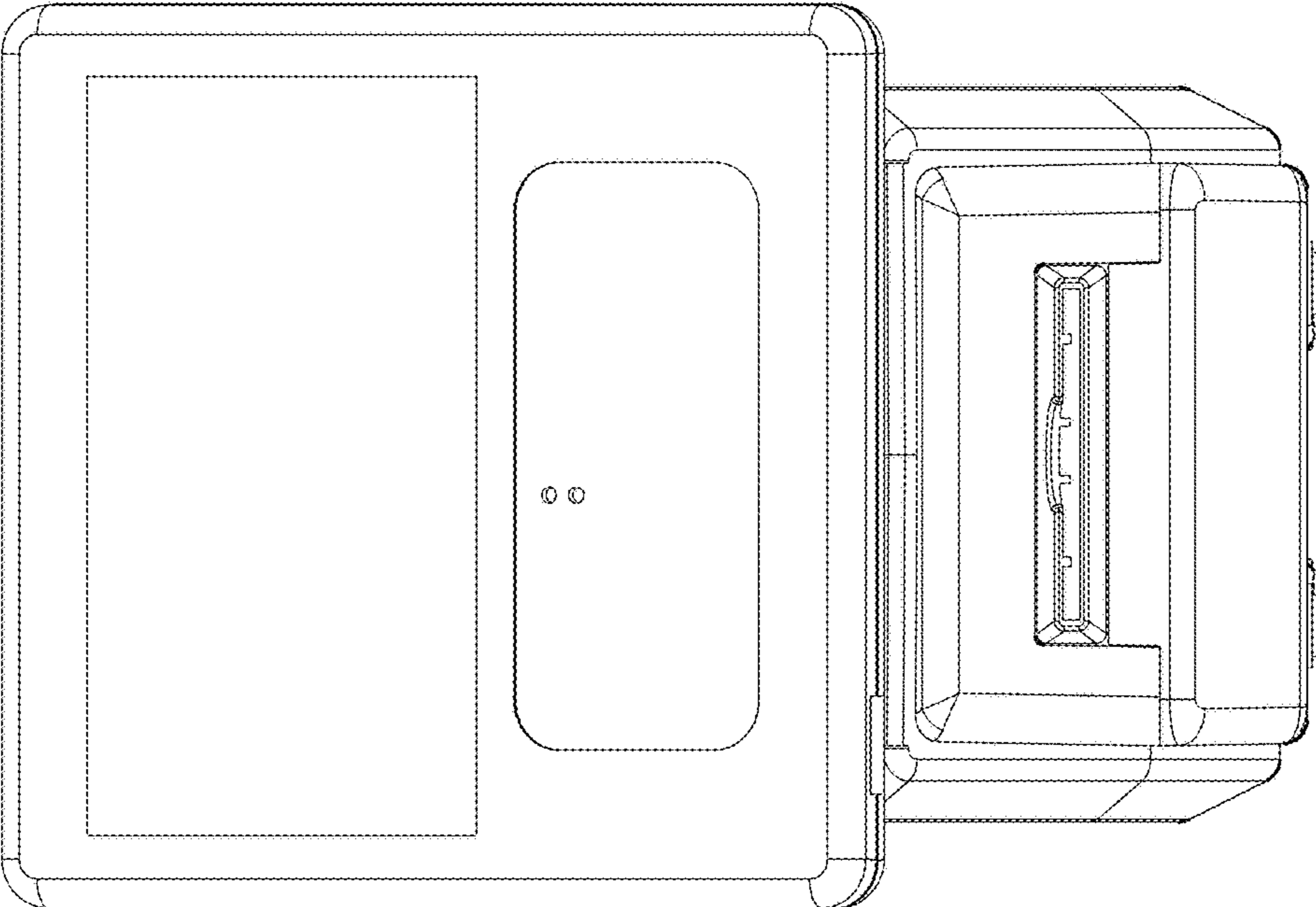


FIG. 3

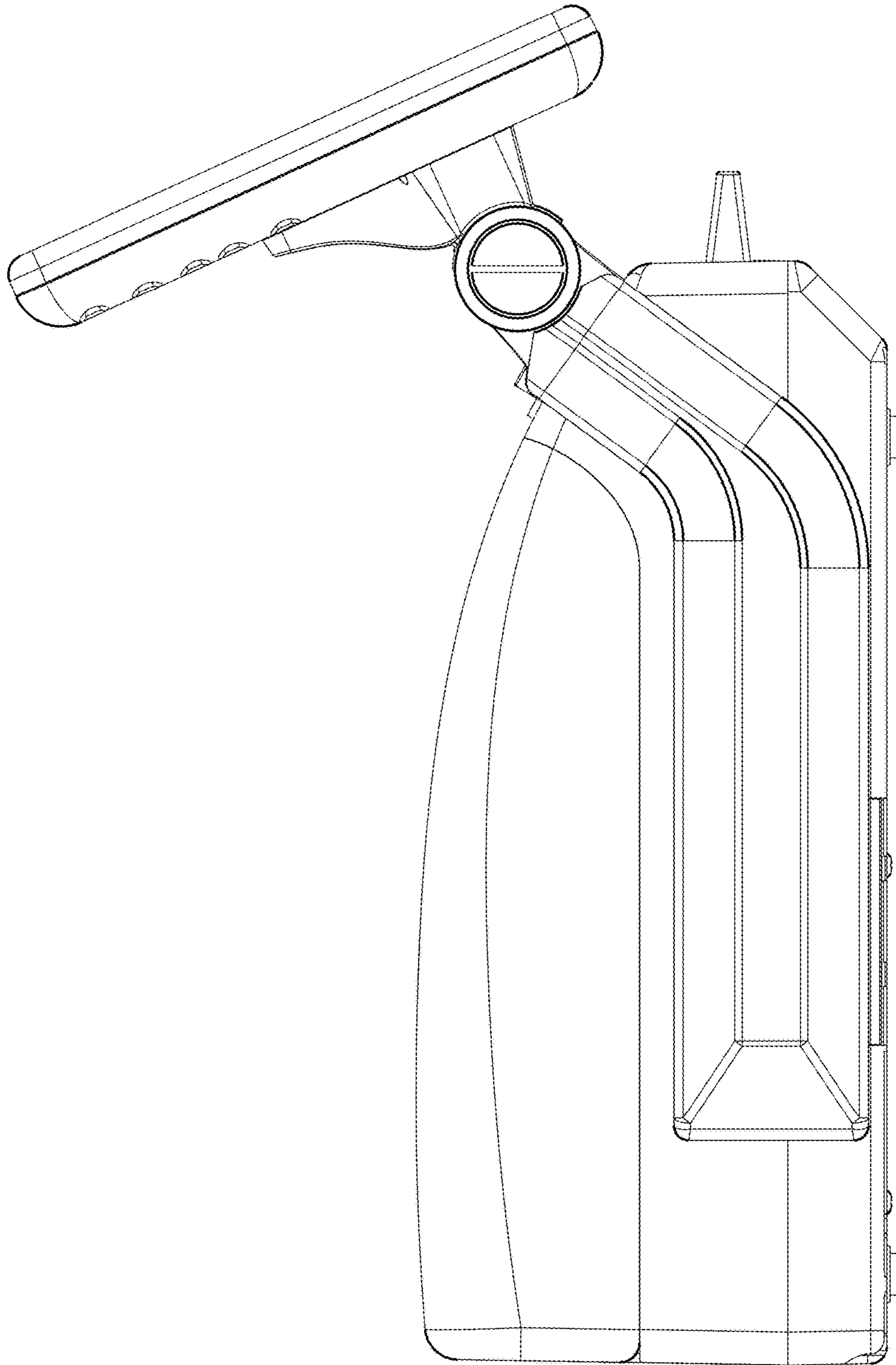


FIG. 4

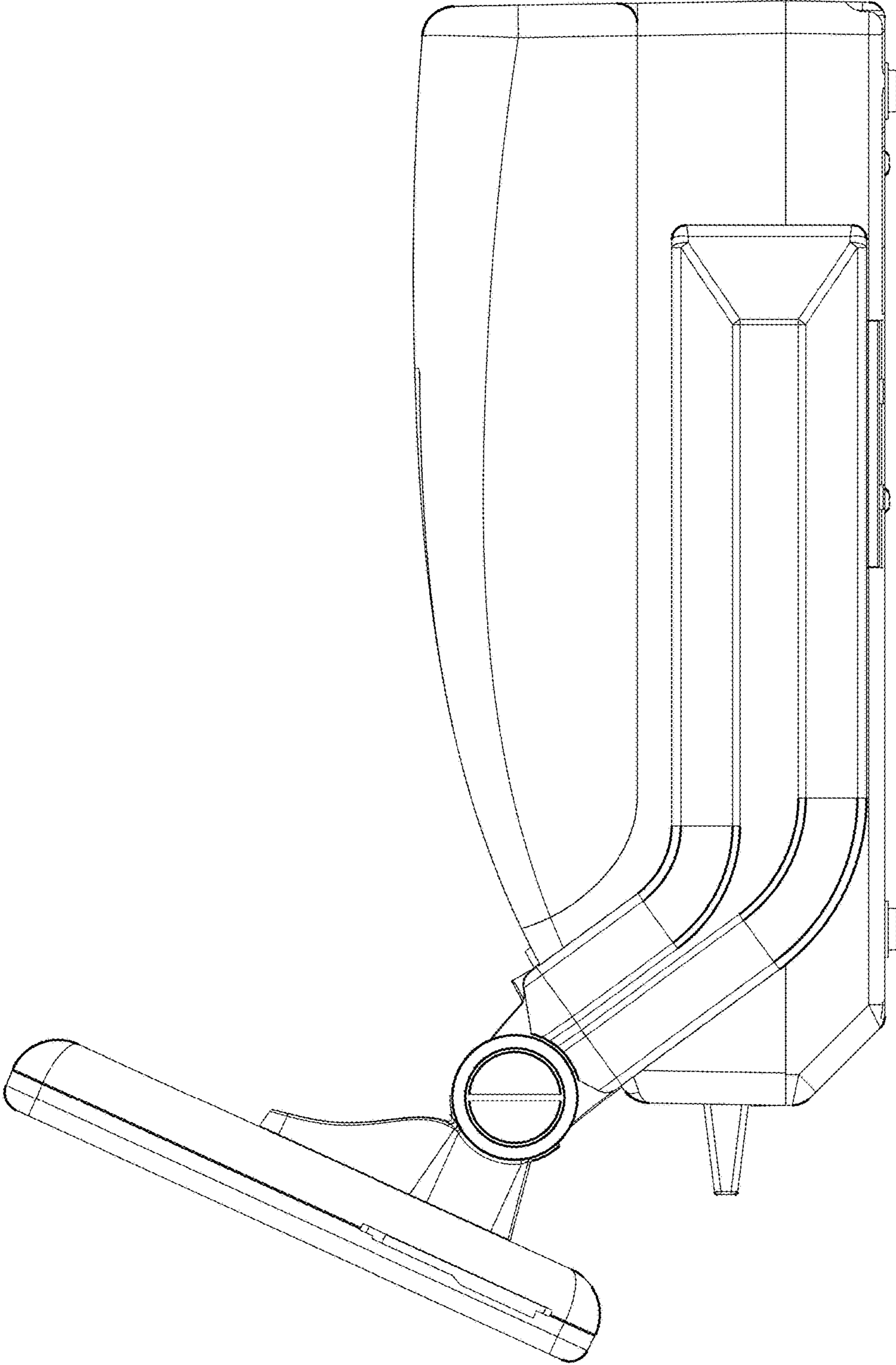


FIG. 5

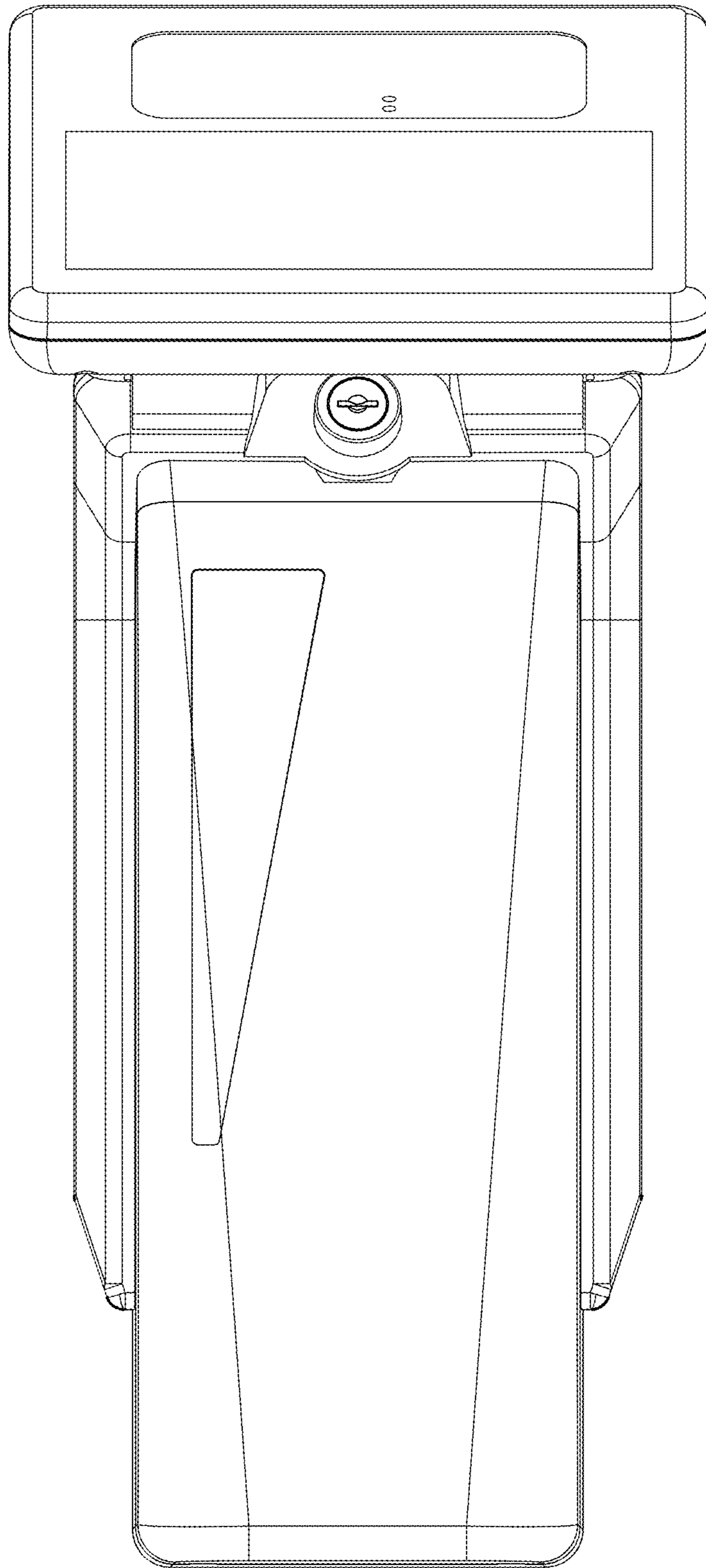


FIG. 6