



US00D817946S

(12) **United States Design Patent**
Webber et al.

(10) **Patent No.:** **US D817,946 S**
(45) **Date of Patent:** **** May 15, 2018**

(54) **PROTECTIVE CASE FOR AN ELECTRONIC DEVICE**

(71) Applicant: **Carved, LLC**, Elkhart, IN (US)

(72) Inventors: **John Webber**, Elkhart, IN (US); **Eric Richardson**, Syracuse, IN (US); **Alex Gorsuch**, Middlebury, IN (US); **Jonas Kellenstine**, Osceola, IN (US)

(73) Assignee: **Carved, LLC**, Elkhart, IN (US)

(**) Term: **15 Years**

(21) Appl. No.: **29/567,845**

(22) Filed: **Jun. 13, 2016**

(51) **LOC (11) Cl.** **14-03**

(52) **U.S. Cl.**
USPC **D14/250**

(58) **Field of Classification Search**
USPC D14/250; 455/556.2, 575.7, 575.8
(Continued)

(56) **References Cited**

U.S. PATENT DOCUMENTS

D706,255 S * 6/2014 Akana D14/250
D728,468 S * 5/2015 Ferber D13/103
(Continued)

OTHER PUBLICATIONS

Natural Carved Wood Case, posted at wholesaler.alibaba.com, posting date not given, [online], [site visited Jul. 13, 2017]. Available from Internet, <URL: https://wholesaler.alibaba.com/productdetail/LuxuryNaturalCarvedWoodSolidWooden_60282549623.html>.*
(Continued)

Primary Examiner — George D. Kirschbaum
Assistant Examiner — Maria J Edwards
(74) *Attorney, Agent, or Firm* — Bishop Diehl & Lee, Ltd.

(57) **CLAIM**

The ornamental design for the protective case for an electronic device, as shown and described.

DESCRIPTION

FIG. 1 is a front perspective view of a first embodiment of a protective case showing the new design;
FIG. 2 is a rear perspective view of the protective case as shown in FIG. 1;
FIG. 3 is a front side view of the protective case as shown in FIG. 1;
FIG. 4 is a rear side view of the protective case as shown in FIG. 1;
FIG. 5 is a right side view of the protective case as shown in FIG. 1;
FIG. 6 is a left side view of the protective case as shown in FIG. 1;
FIG. 7 is a top side view of the protective case as shown in FIG. 1;
FIG. 8 is a bottom side view of the protective case as shown in FIG. 1;
FIG. 9 is a front perspective view of the protective case as shown in FIG. 1 showing the protective case attached to a cellular phone, which forms no part of the claimed invention.
FIG. 10 is a cross-sectional view taken along line X-X of FIG. 3 of the protective case as shown in FIG. 1.
FIG. 11 is a front perspective view of a second embodiment of a protective case showing the new design;
FIG. 12 is a rear perspective view of the protective case as shown in FIG. 11;
FIG. 13 is a front side view of the protective case as shown in FIG. 11;
FIG. 14 is a rear side view of the protective case as shown in FIG. 11;
FIG. 15 is a right side view of the protective case as shown in FIG. 11;
FIG. 16 is a left side view of the protective case as shown in FIG. 11;
FIG. 17 is a top side view of the protective case as shown in FIG. 11;
FIG. 18 is a bottom side view of the protective case as shown in FIG. 11;

(Continued)

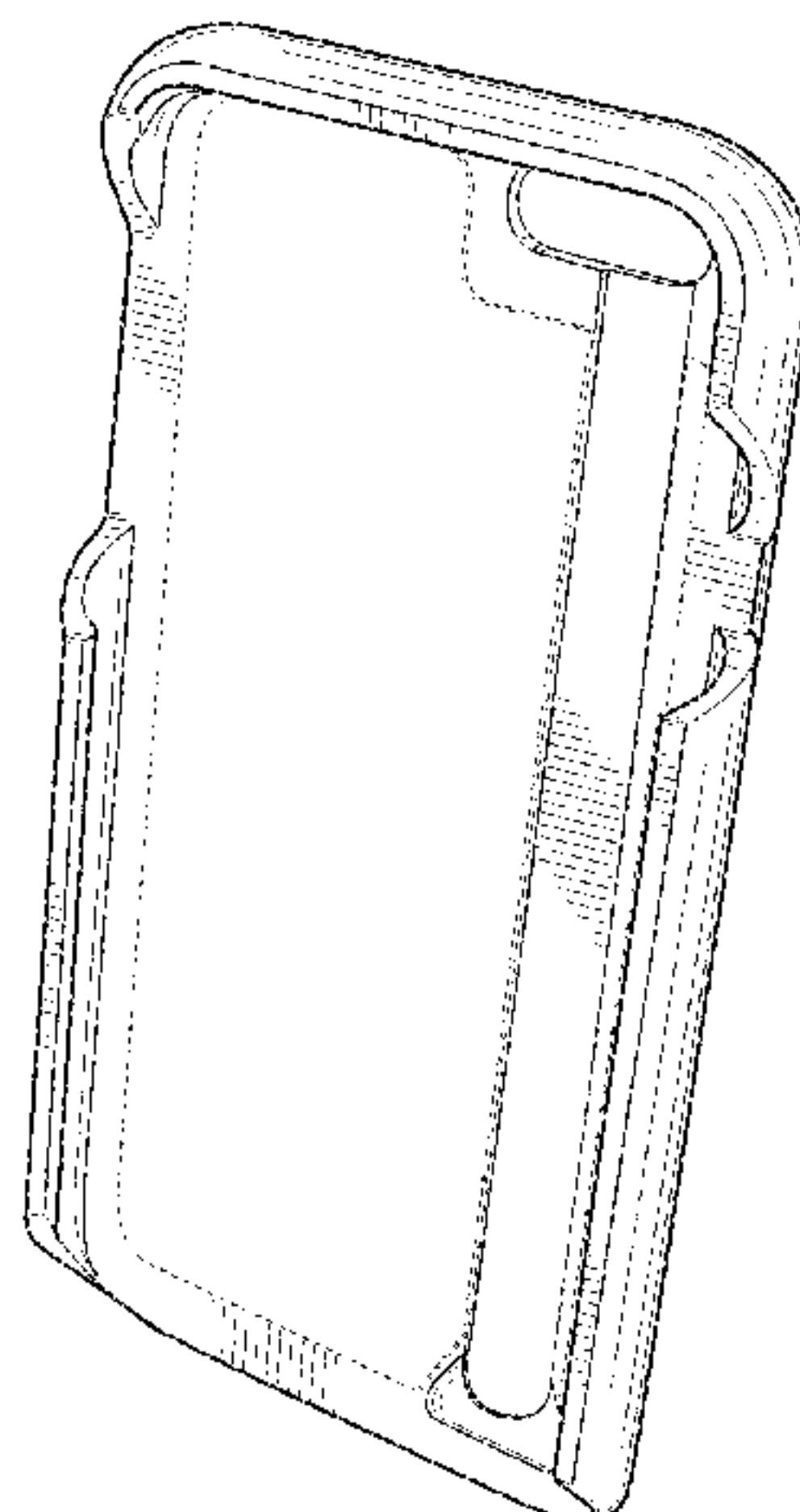


FIG. 19 is a front perspective view of the protective case as shown in FIG. 11 showing the protective case attached to a cellular phone, which forms no part of the claimed invention; and,

FIG. 20 is a cross-sectional view taken along line XX-XX of FIG. 13 of the protective case as shown in FIG. 11.

Any components in the appended drawings shown in broken lines are for illustrative purposes only and form no part of the claimed design or a specified embodiment thereof.

The broken lines illustrate portions of the article or environmental subject matter and form no part of the claimed design.

1 Claim, 18 Drawing Sheets

(58) **Field of Classification Search**

CPC A45C 2011/002
See application file for complete search history.

(56) **References Cited**

U.S. PATENT DOCUMENTS

D761,781 S * 7/2016 Dang D14/250
D763,241 S * 8/2016 Kim D14/250

D763,841 S * 8/2016 Kim D14/250
D772,854 S * 11/2016 Igarashi D14/250
D775,614 S * 1/2017 Kim D14/250
D777,152 S * 1/2017 Kim D14/250
D777,157 S * 1/2017 Kim D14/250
D777,160 S * 1/2017 Kim D14/250
D780,165 S * 2/2017 Lee D14/250
D780,742 S * 3/2017 Guerdrum D14/250
D781,837 S * 3/2017 Kim D14/250
D784,976 S * 4/2017 Cebe D14/250
D787,490 S * 5/2017 Akana D14/250
D787,492 S * 5/2017 Kim D14/250
D788,756 S * 6/2017 Kim D14/250

OTHER PUBLICATIONS

Solid Wood iPhone Case, posted at carved.com, posting date not given, [online], [site visited Jul. 13, 2017]. Available from Internet, <URL: <http://www.carved.com/shop/iphone6plus/solidwood/>>.*

The Carve Case, posted at thenextweb.com, posting date Aug. 9, 2012, [online], [site visited Jul. 13, 2017]. Available from Internet, <URL: https://thenextweb.com/apple/2012/08/09/tnwreviewthecarvecaseof-fershandmadelightweightwoodenprotectionforyouriphone/#.tnw_e7DFM8Uy>.*

* cited by examiner

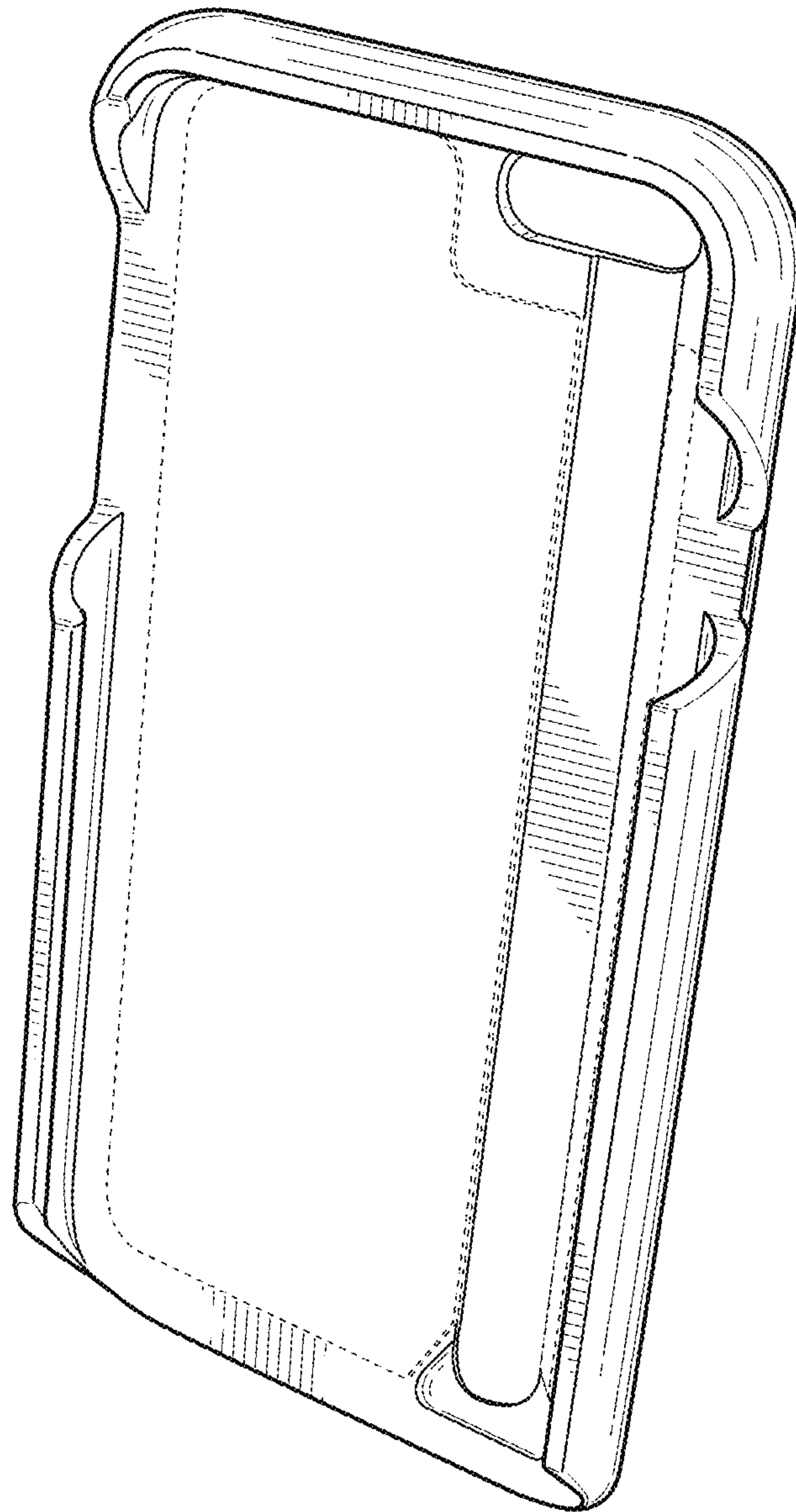


FIG. 1

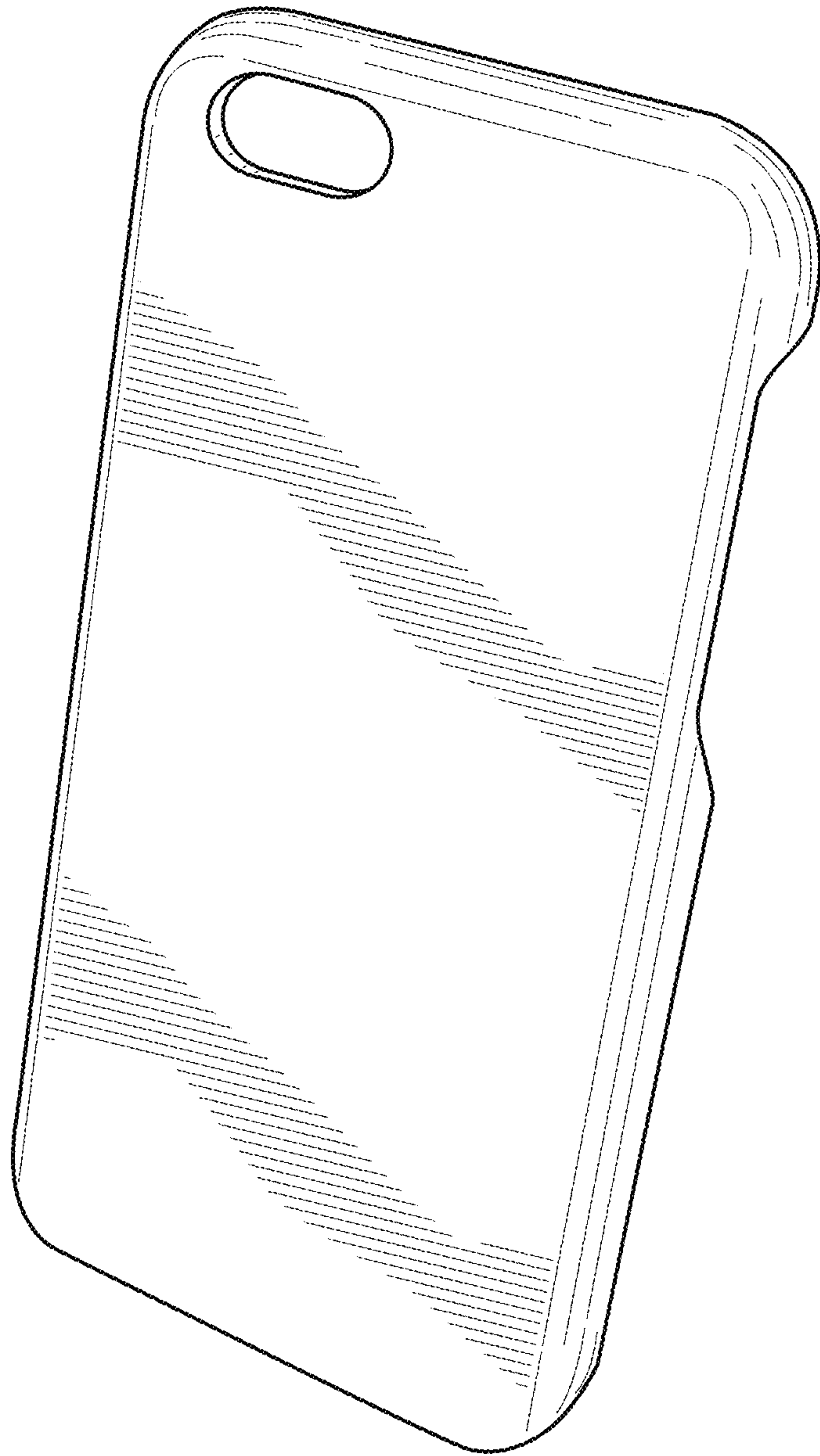


FIG. 2

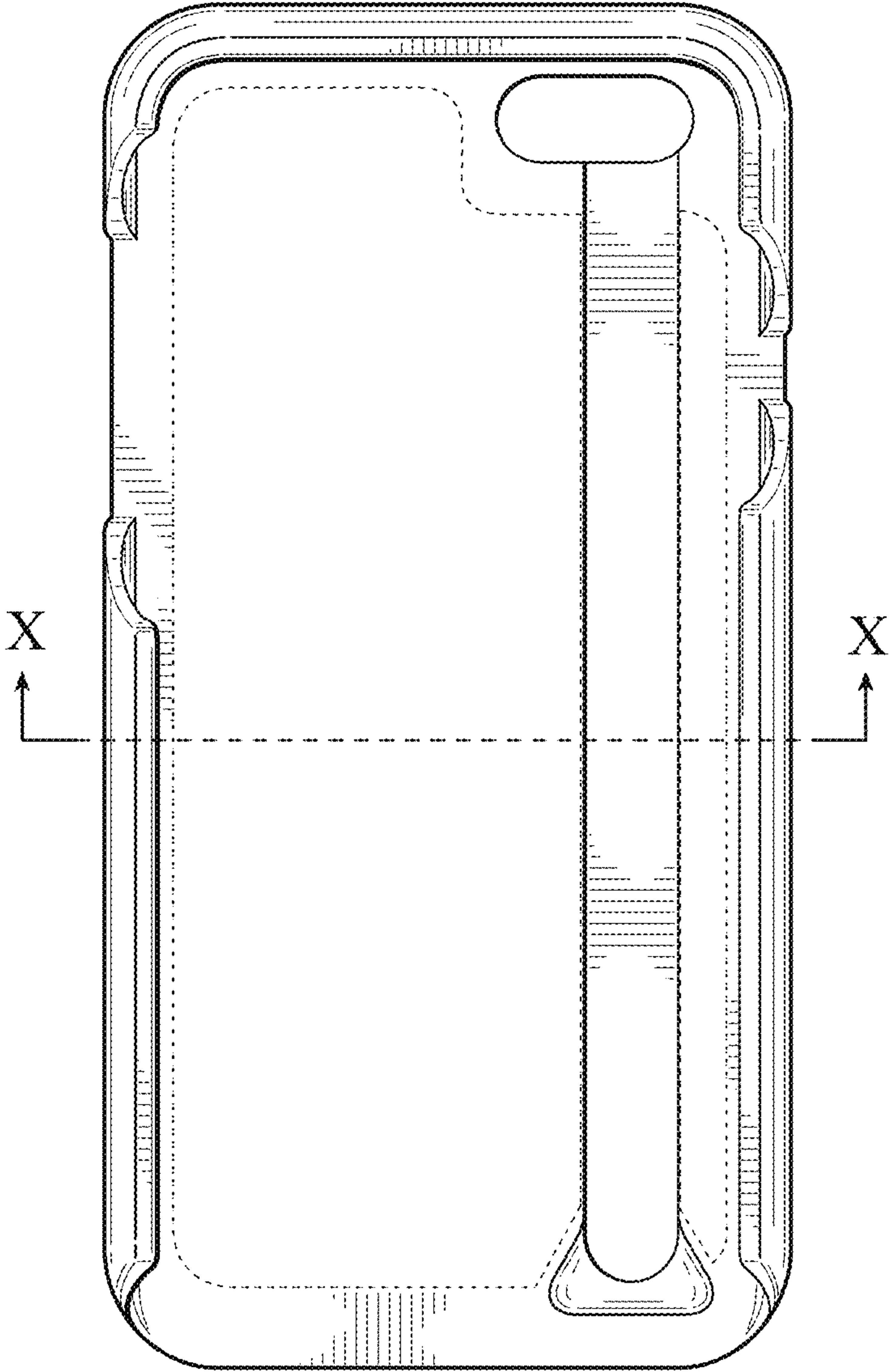


FIG. 3

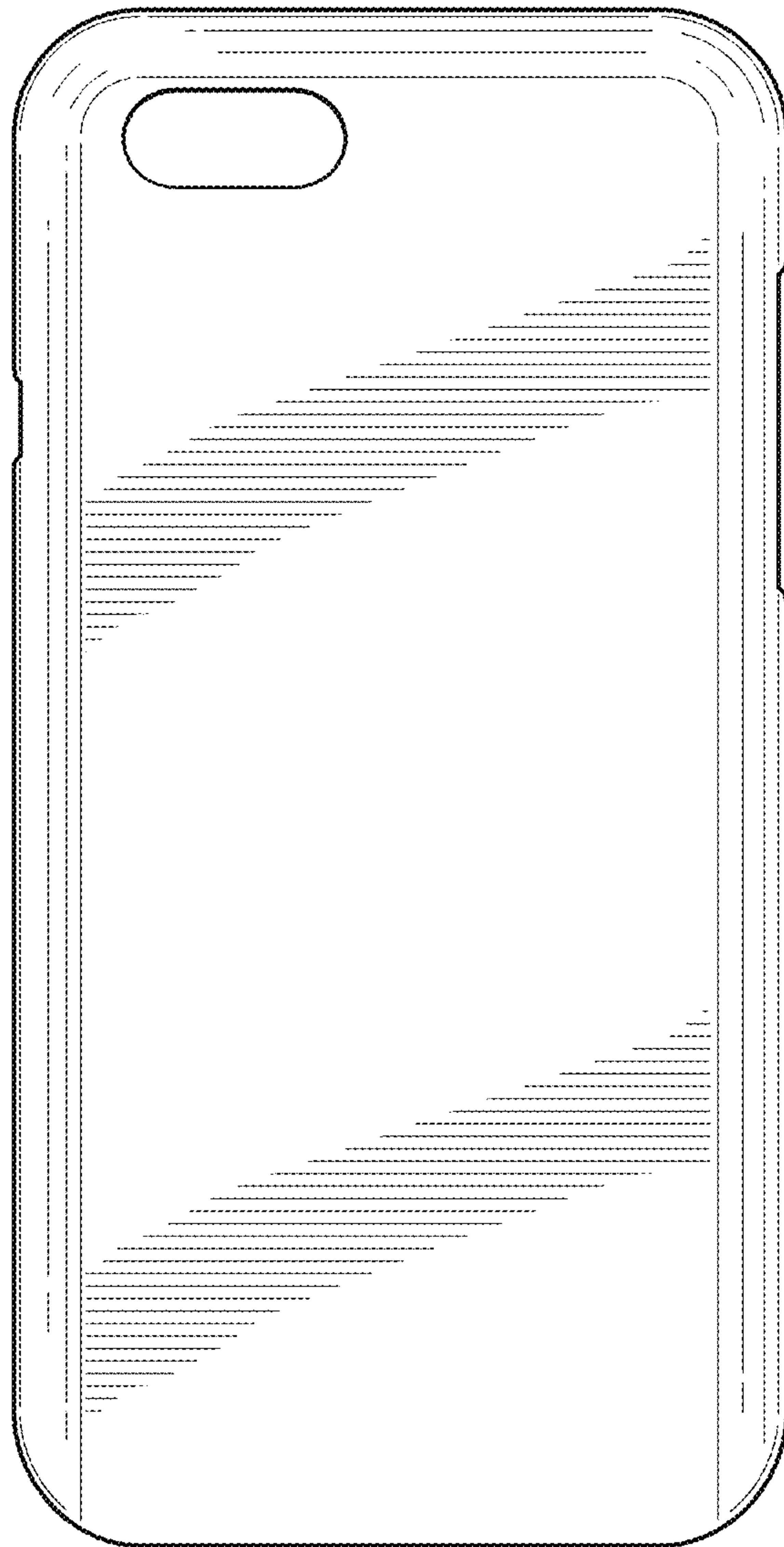


FIG. 4

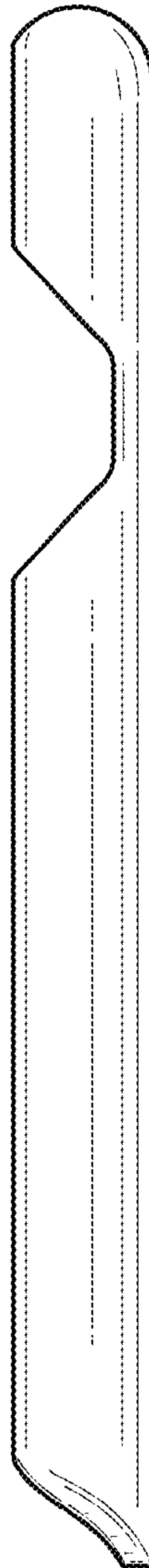


FIG. 5

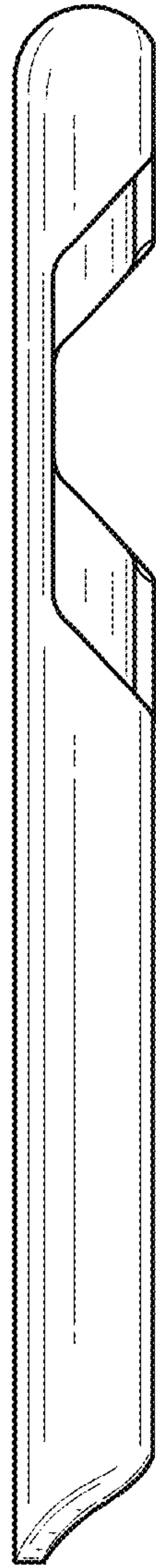


FIG. 6

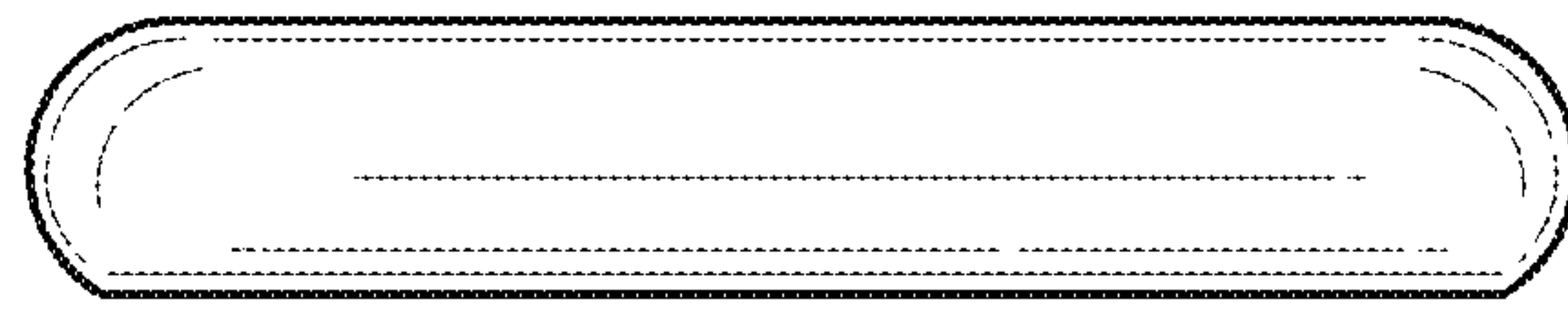


FIG. 7

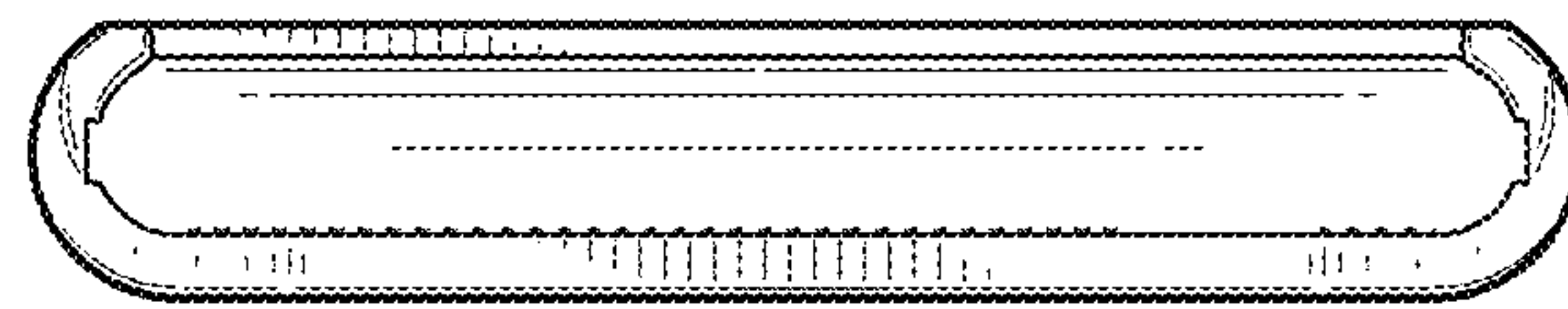


FIG. 8

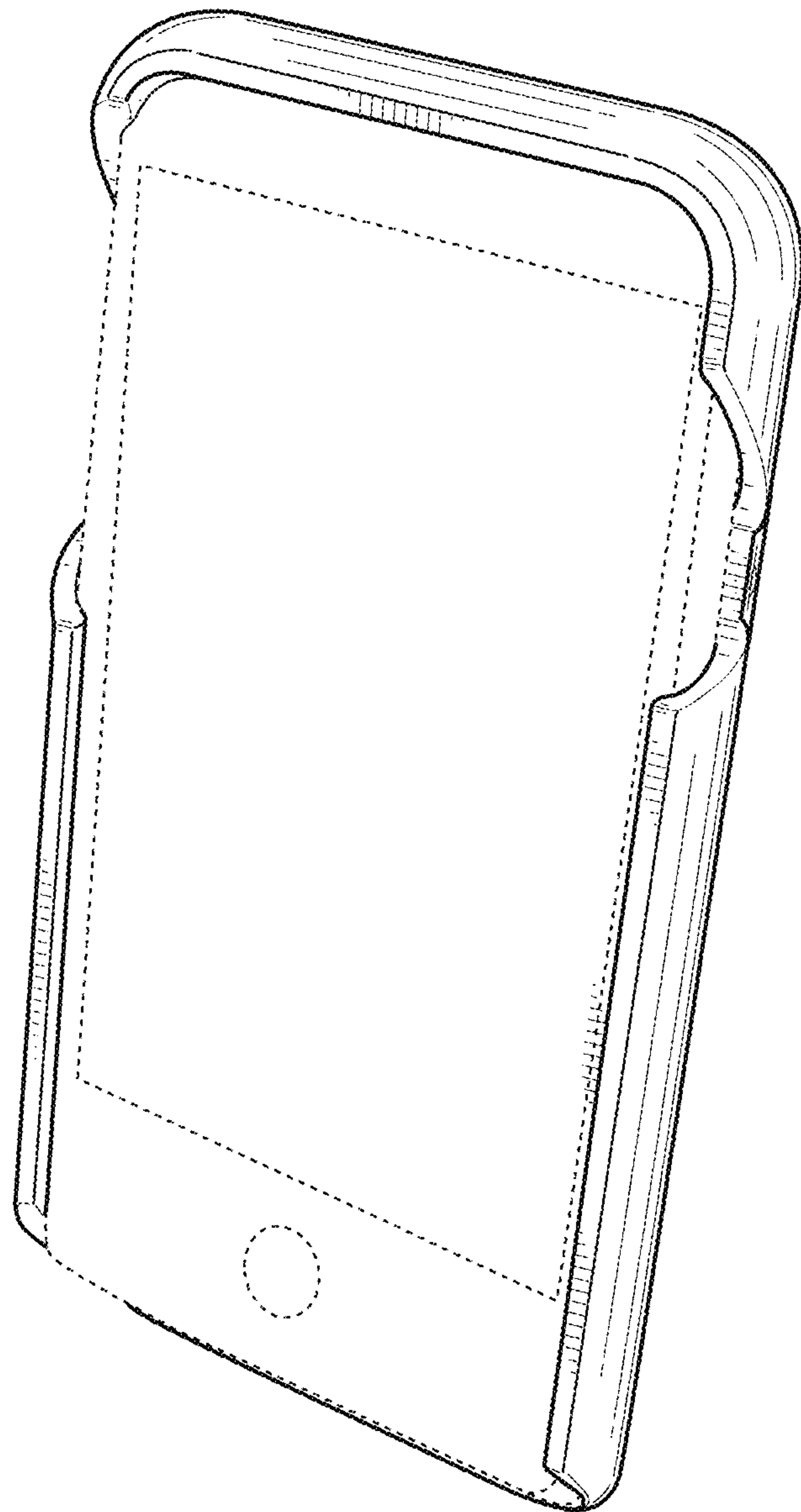


FIG. 9

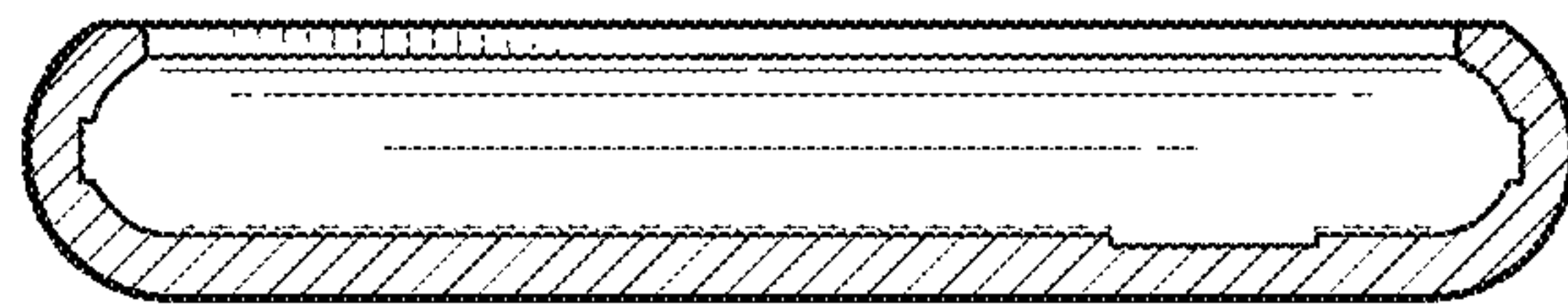


FIG. 10

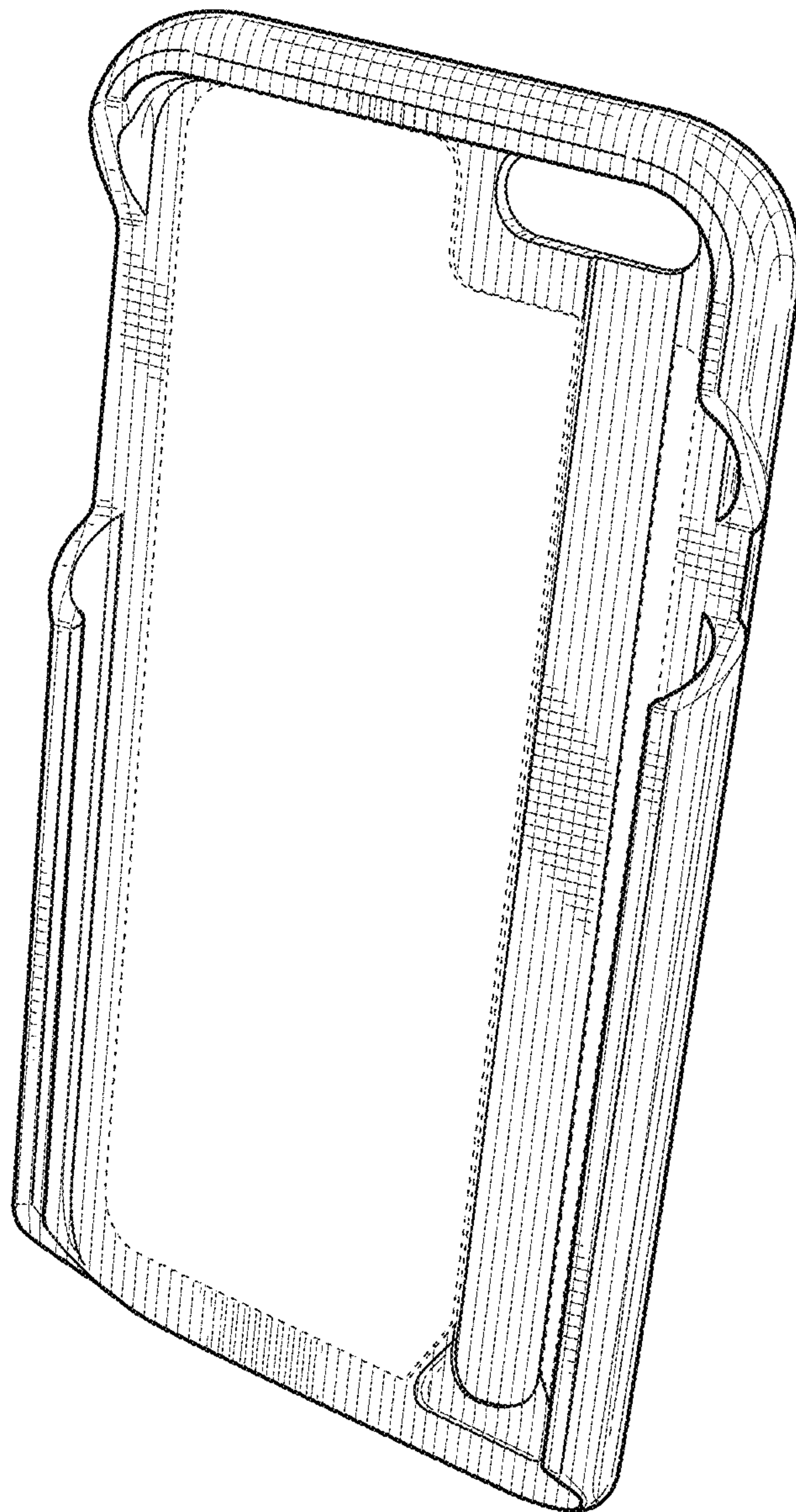


FIG. 11

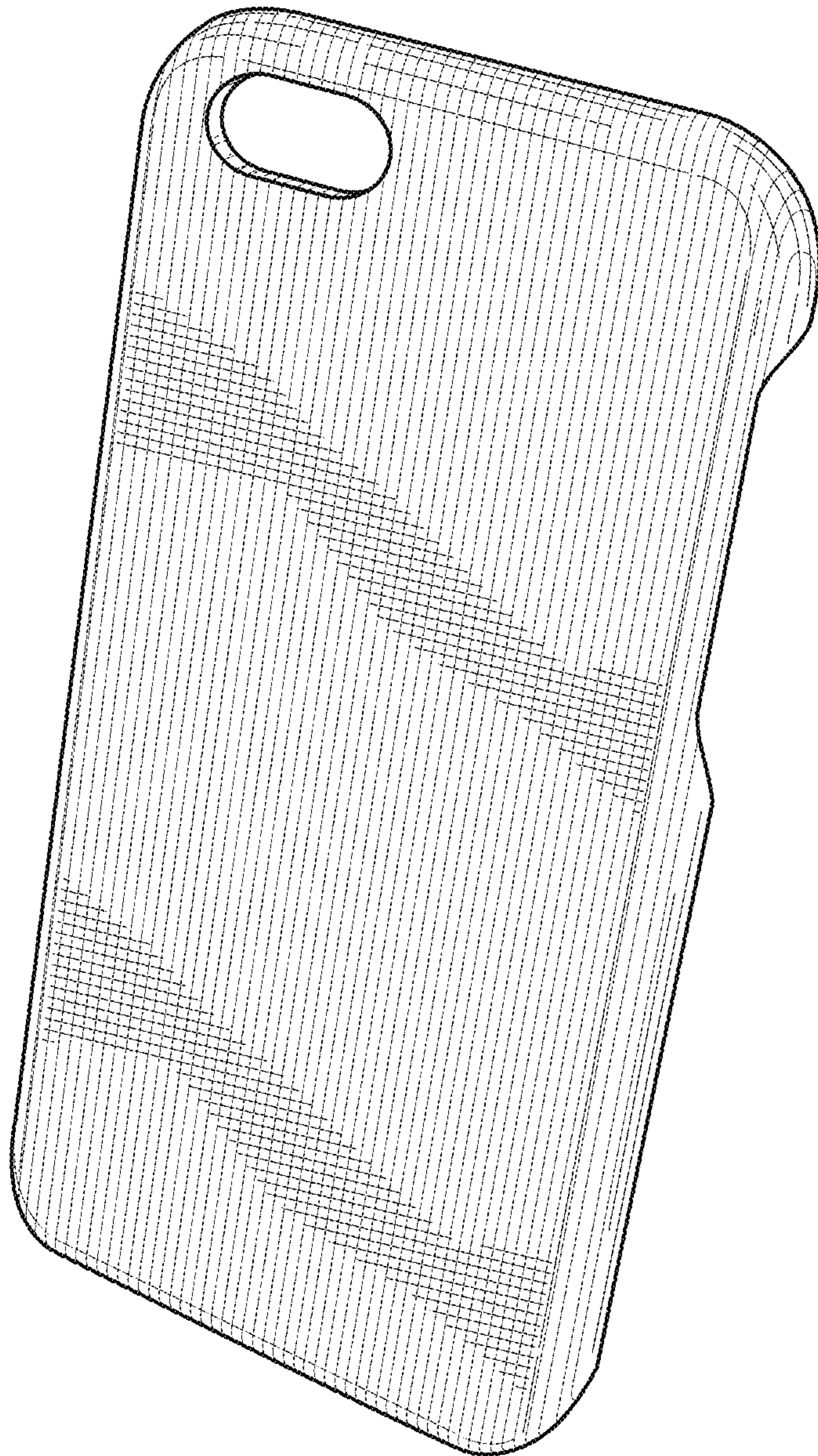


FIG. 12

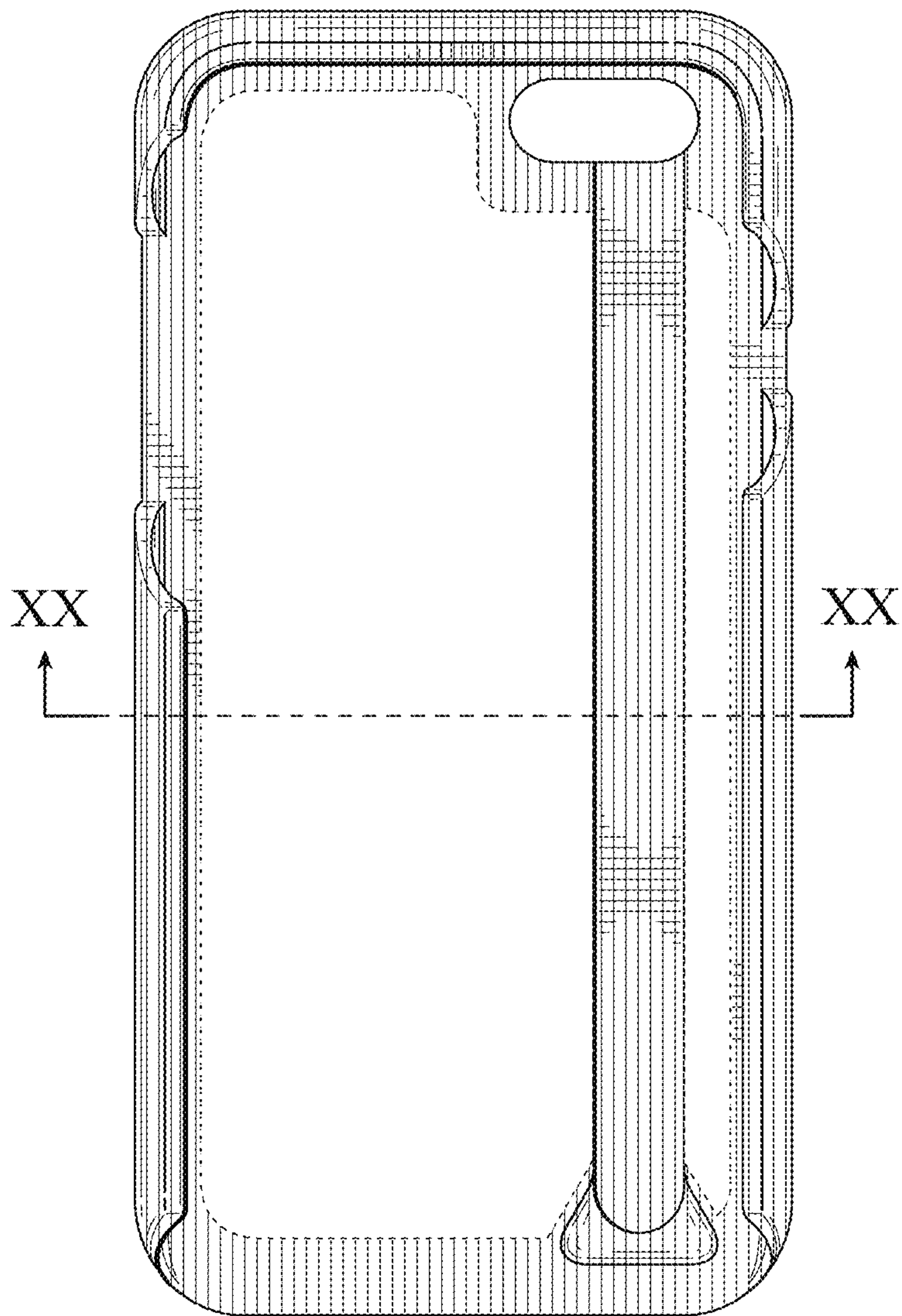


FIG. 13

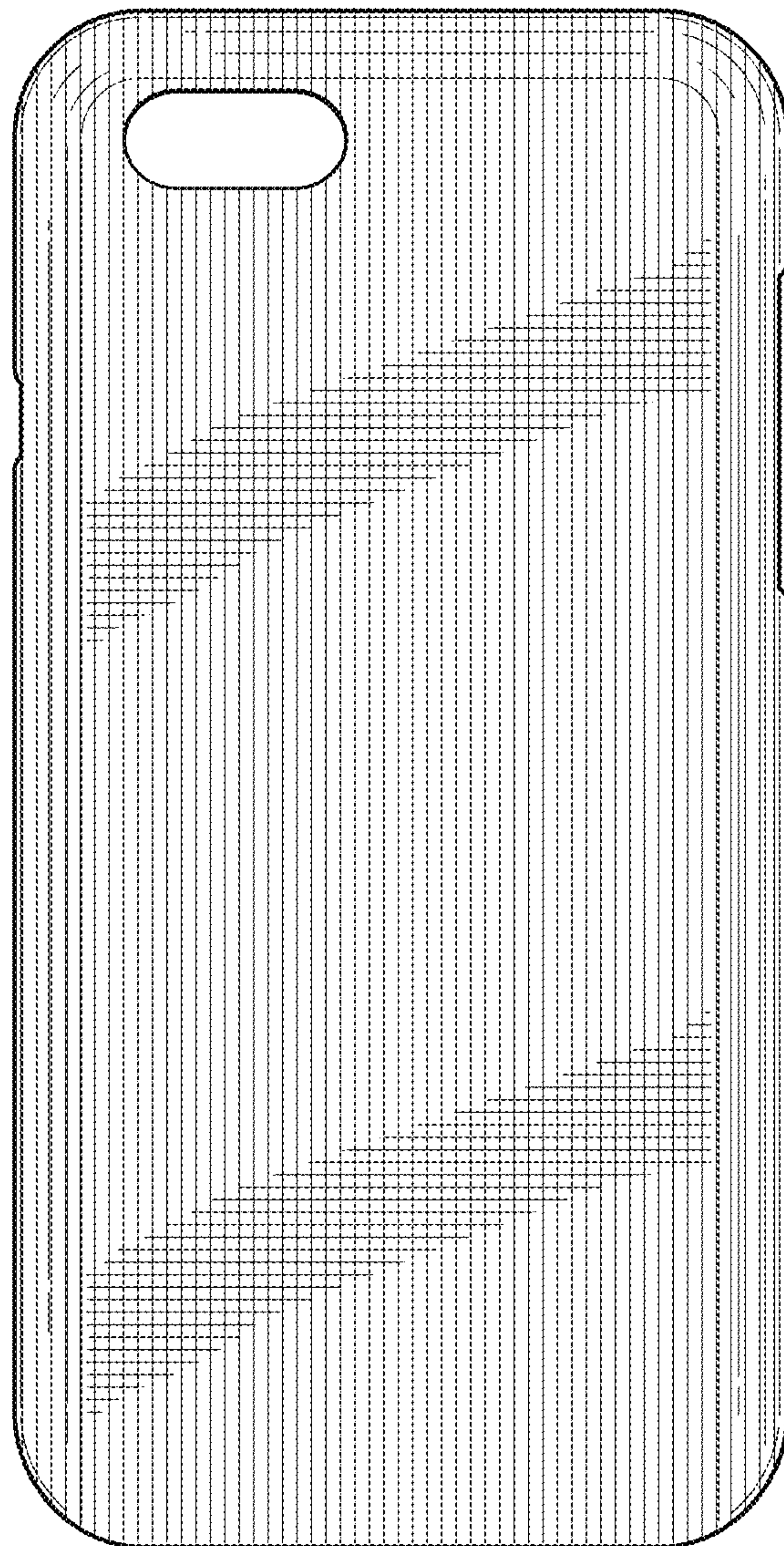


FIG. 14

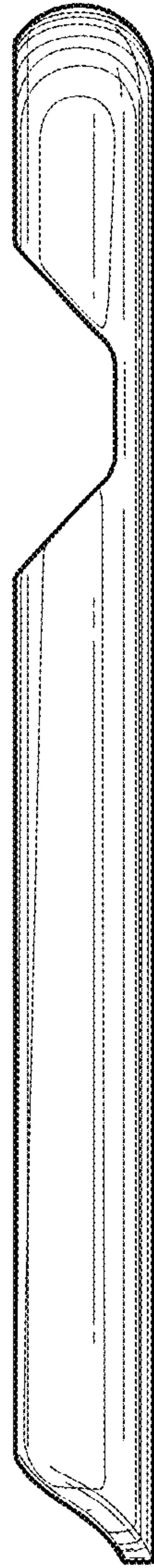


FIG. 15

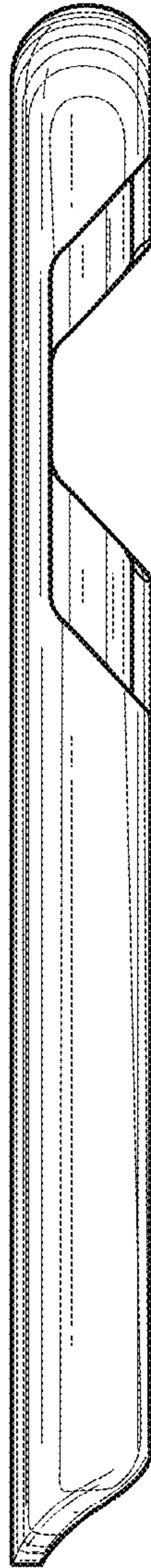


FIG. 16

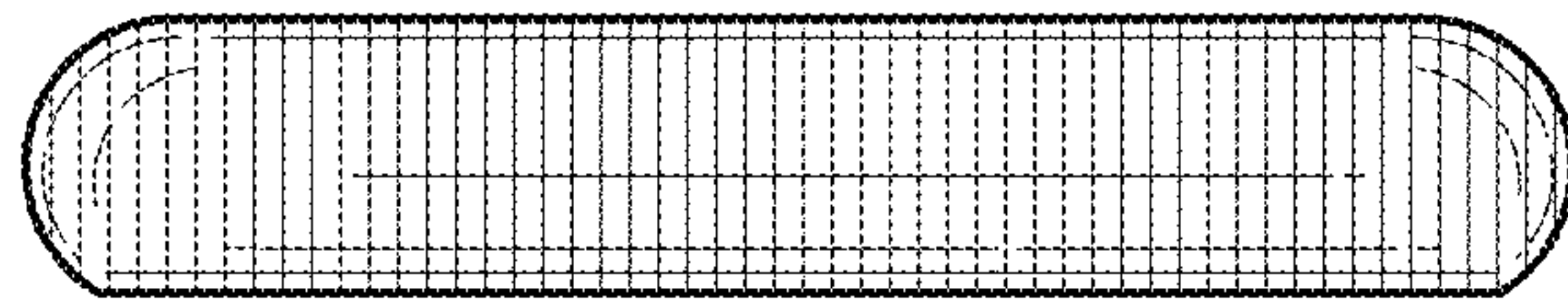


FIG. 17

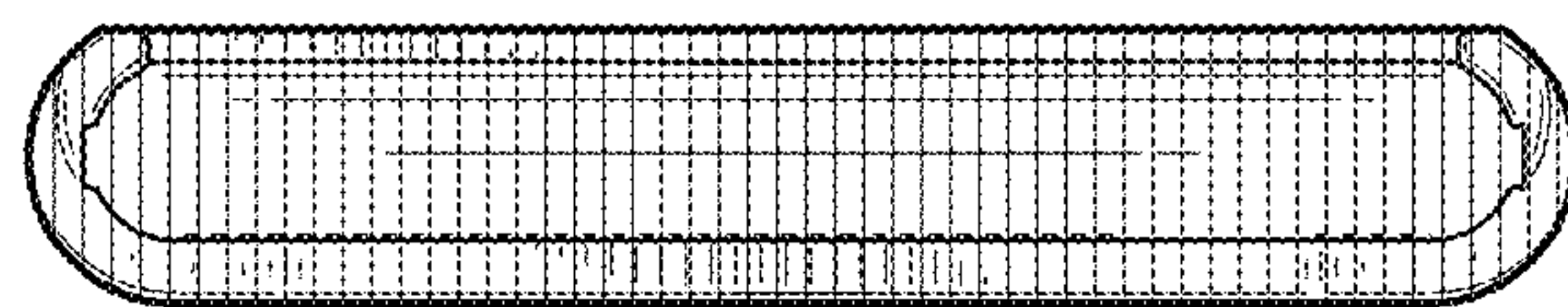


FIG. 18

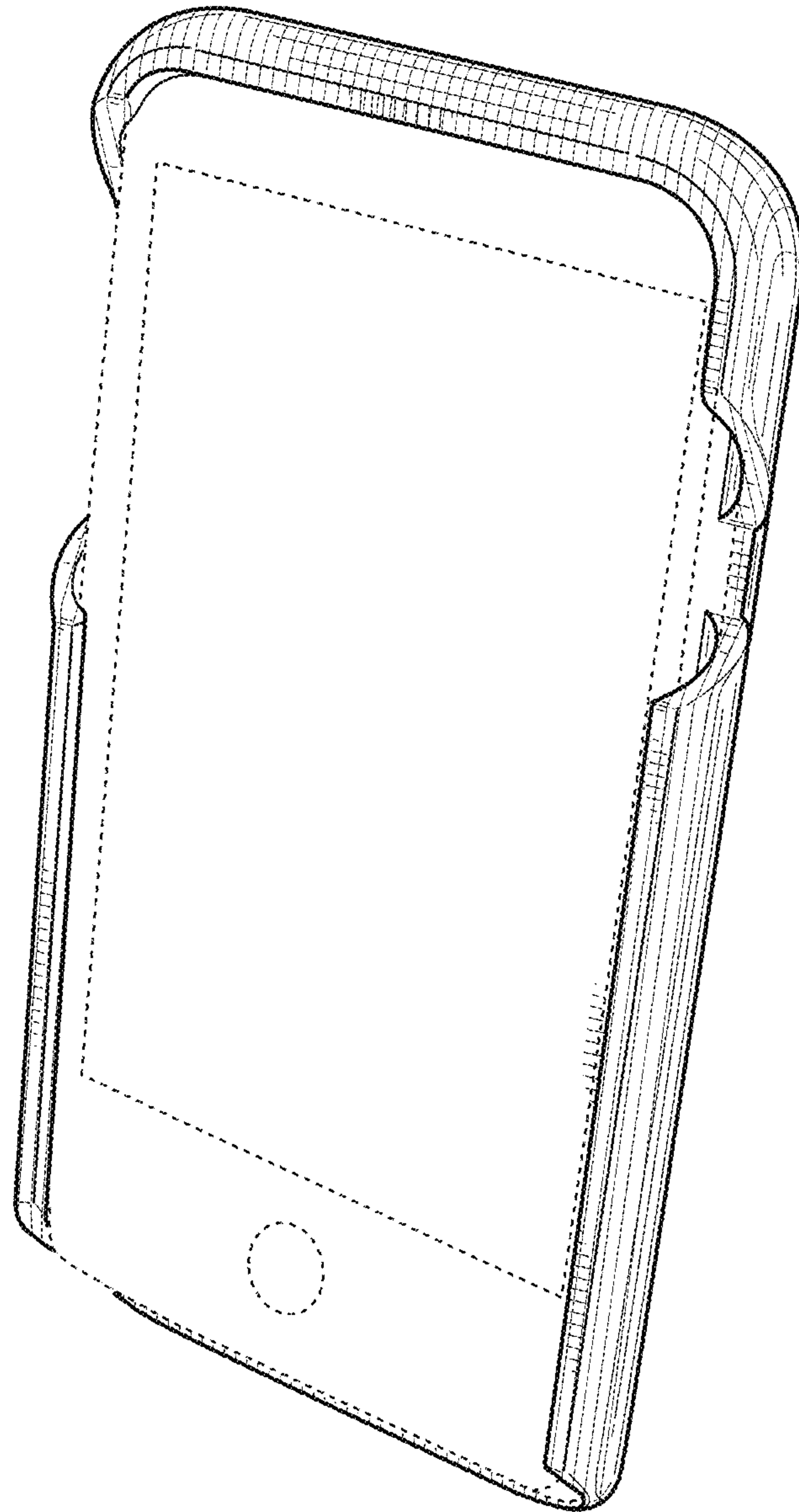


FIG. 19

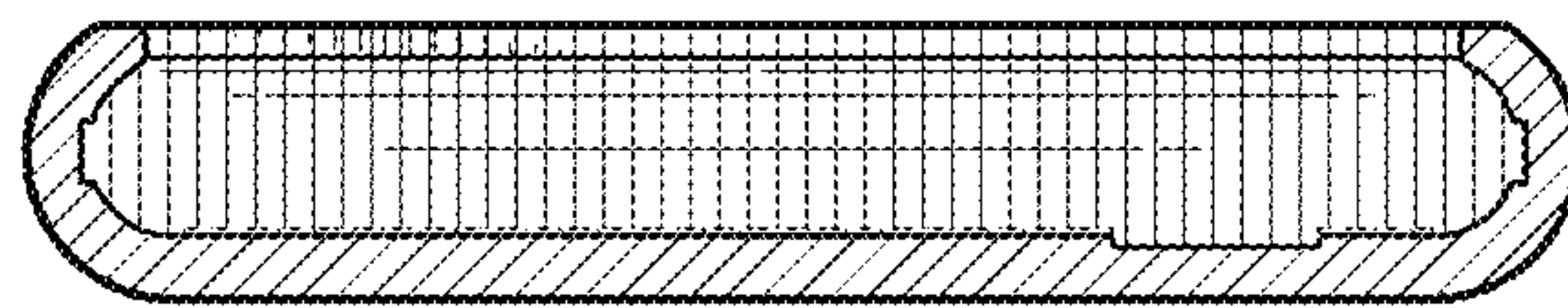


FIG. 20