



US00D817945S

(12) **United States Design Patent** (10) **Patent No.:** **US D817,945 S**  
**Wadsworth et al.** (45) **Date of Patent:** **\*\* May 15, 2018**

(54) **OVERLAY**

(71) Applicant: **Belkin International, Inc.**, Playa Vista, CA (US)

(72) Inventors: **John F. Wadsworth**, Burbank, CA (US); **David A. Kleeman**, Marina del Rey, CA (US); **Yuhua Lin**, Changzhou (CN)

(73) Assignee: **BELKIN INTERNATIONAL, INC.**, Playa Vista, CA (US)

(\*\*) Term: **15 Years**

(21) Appl. No.: **29/566,356**

(22) Filed: **May 27, 2016**

(51) **LOC (11) Cl.** ..... **14-03**

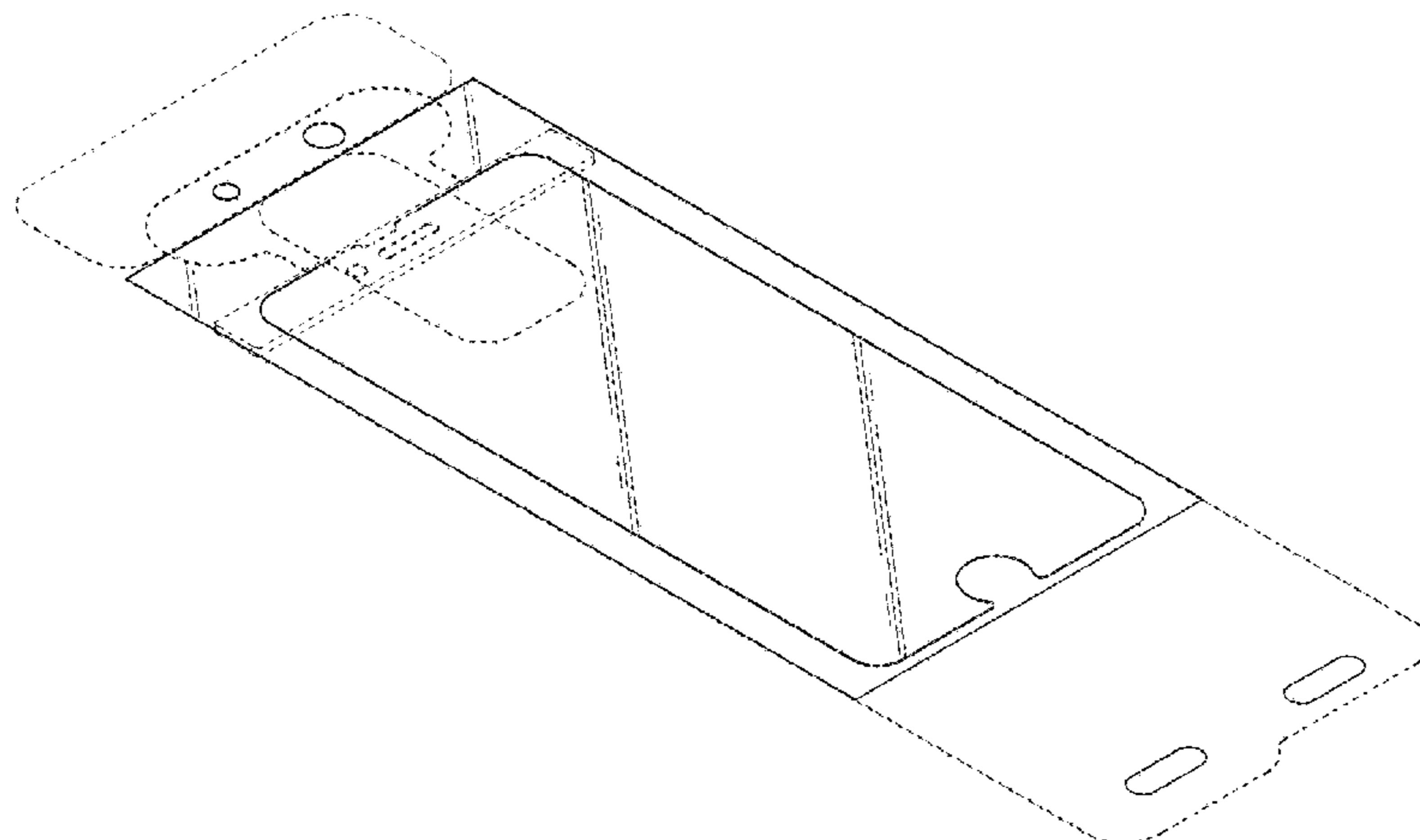
(52) **U.S. Cl.**  
 USPC ..... **D14/250**

(58) **Field of Classification Search**  
 USPC ..... D14/250; 455/575.8, 575.7, 575.1, 455/556.2; 361/679.01  
 CPC ..... A45C 2011/002  
 See application file for complete search history.

8,044,942 B1 10/2011 Leonhard et al.  
 8,047,365 B1 11/2011 Lin  
 D651,214 S 12/2011 Yoo et al.  
 D651,791 S 1/2012 Cataldo et al.  
 D658,164 S \* 4/2012 Chan ..... D14/238.1  
 D665,809 S 8/2012 Wang et al.  
 8,369,072 B1 2/2013 Alonzo et al.  
 8,393,377 B2 3/2013 Patel et al.  
 D679,753 S \* 4/2013 Sato ..... D19/1  
 D680,166 S \* 4/2013 Sato ..... D19/1  
 8,517,367 B1 8/2013 Napier  
 D690,704 S 10/2013 Padilla et al.  
 8,564,538 B2 10/2013 Wadsworth  
 D694,240 S 11/2013 Cho  
 8,640,759 B2 2/2014 Chen  
 8,675,353 B1 3/2014 Alonzo et al.  
 D707,217 S 6/2014 Toulotte  
 D710,843 S 8/2014 Akana  
 D713,397 S 9/2014 Du et al.  
 D714,053 S 9/2014 Yoo  
 8,821,659 B2 9/2014 Ng et al.  
 D715,301 S 10/2014 Ashcraft et al.  
 D715,784 S \* 10/2014 Lin ..... D14/238.1  
 D720,353 S 12/2014 Nakamura  
 D721,359 S 1/2015 Kim  
 8,931,770 B1 1/2015 Kaminski  
 9,001,502 B1 \* 4/2015 Cowan ..... G06F 1/1633  
 361/679.01  
 9,010,396 B2 4/2015 Patel et al.  
 D729,235 S 5/2015 Nagao et al.  
 D734,311 S \* 7/2015 Takamoto ..... D14/250  
 9,089,085 B2 7/2015 Patel et al.  
 9,159,260 B2 10/2015 Oh  
 D743,402 S 11/2015 Ehara et al.  
 D746,265 S \* 12/2015 Colby ..... D14/217  
 D747,320 S \* 1/2016 Snyder ..... D14/440  
 D751,556 S 3/2016 Conley et al.  
 D751,557 S 3/2016 Lane  
 D759,640 S 6/2016 Wadsworth  
 D767,550 S \* 9/2016 Beaupre ..... D14/250  
 D769,857 S \* 10/2016 Shin ..... D14/250  
 D772,199 S \* 11/2016 Igarashi ..... D14/217  
 D773,927 S \* 12/2016 Cernokus ..... D14/432  
 D776,123 S 1/2017 Akana et al.  
 D777,714 S 1/2017 Akana et al.  
 D778,869 S 2/2017 Kim et al.  
 D781,861 S 3/2017 Lane et al.  
 D783,024 S 4/2017 Conley et al.  
 9,662,860 B2 5/2017 Wadsworth  
 9,688,016 B2 6/2017 Rostami  
 9,701,062 B2 7/2017 Wadsworth et al.  
 9,701,096 B2 7/2017 Beaupre  
 D800,029 S 10/2017 Wadsworth et al.

(56) **References Cited**  
 U.S. PATENT DOCUMENTS

4,285,559 A 8/1981 Koch  
 D305,648 S 1/1990 Edington  
 4,895,231 A 1/1990 Yamaguchi et al.  
 5,069,732 A 12/1991 Levine  
 5,680,709 A 10/1997 Stone  
 5,805,251 A 9/1998 Ozawa  
 6,406,758 B1 6/2002 Bottari et al.  
 7,084,859 B1 8/2006 Pryor  
 D578,164 S \* 10/2008 Ingle ..... D20/27  
 D598,024 S 8/2009 Scott et al.  
 D601,959 S 10/2009 Lee  
 D601,960 S \* 10/2009 Dai ..... D13/119  
 7,697,827 B2 4/2010 Konicek  
 D627,826 S \* 11/2010 Halimi ..... D20/27  
 7,957,524 B2 6/2011 Chipping  
 7,966,861 B2 6/2011 Yee et al.  
 D641,210 S 7/2011 Hamilton



# US D817,945 S

|              |     |         | FOREIGN PATENT DOCUMENTS               |    |                       |
|--------------|-----|---------|--|----|-----------------------|
| D800,126     | S   | 10/2017 | Wadsworth et al.                       |    |                       |
| D800,127     | S   | 10/2017 | Beaupre et al.                         |    |                       |
| D800,128     | S   | 10/2017 | Beaupre et al.                         | CN | 201456516 5/2010      |
| D800,130     | S   | 10/2017 | Beaupre et al.                         | CN | 102632674 8/2012      |
| D800,131     | S   | 10/2017 | Wadsworth et al.                       | CN | 202623469 12/2012     |
| D800,714     | S   | 10/2017 | Lee et al.                             | CN | 202896928 4/2013      |
| D802,594     | S   | 11/2017 | Beaupre et al.                         | CN | 202967060 6/2013      |
| 2002/0054030 | A1  | 5/2002  | Murphy                                 | CN | 203077741 7/2013      |
| 2004/0109096 | A1  | 6/2004  | Anderson et al.                        | EM | 0024866540001 6/2004  |
| 2004/0246386 | A1  | 12/2004 | Thomas et al.                          | EM | 0024866540002 6/2004  |
| 2005/0030296 | A1  | 2/2005  | Stohrer et al.                         | EM | 0024866540003 6/2004  |
| 2005/0164148 | A1  | 7/2005  | Sinclair                               | EM | 0024866540004 6/2004  |
| 2007/0013662 | A1  | 1/2007  | Fauth                                  | EM | 0024866540005 6/2004  |
| 2007/0021068 | A1  | 1/2007  | Dewhurst                               | EM | 0024866540006 6/2004  |
| 2007/0058990 | A1  | 3/2007  | Weaver et al.                          | EM | 0024866540007 6/2004  |
| 2007/0115621 | A1  | 5/2007  | Guillen                                | EM | 0024866540008 6/2004  |
| 2007/0229962 | A1  | 10/2007 | Mason, Jr.                             | EM | 0024866960001 6/2004  |
| 2007/0247793 | A1  | 10/2007 | Carnevali                              | EM | 0024866960002 6/2004  |
| 2007/0293282 | A1  | 12/2007 | Lewis et al.                           | EM | 0024866960003 6/2004  |
| 2009/0015509 | A1  | 1/2009  | Gottwald et al.                        | EM | 0024866960004 6/2004  |
| 2009/0133219 | A1  | 5/2009  | Lowry et al.                           | EM | 0024866960005 6/2004  |
| 2009/0186181 | A1  | 7/2009  | Mase                                   | EM | 0024866960006 6/2004  |
| 2009/0245565 | A1  | 10/2009 | Mittleman et al.                       | EM | 0024866960007 6/2004  |
| 2009/0314400 | A1  | 12/2009 | Liu                                    | EM | 0024866960008 6/2004  |
| 2010/0053926 | A1  | 3/2010  | Shi et al.                             | EM | 0024866960009 6/2004  |
| 2010/0079972 | A1  | 4/2010  | Chen et al.                            | EM | 0024866960010 6/2004  |
| 2010/0097757 | A1  | 4/2010  | Wang                                   | EM | 0024866960011 6/2004  |
| 2010/0309152 | A1  | 12/2010 | Kusuda et al.                          | EM | 0024866960012 6/2004  |
| 2011/0188179 | A1  | 8/2011  | Myers et al.                           | EM | 0024866960013 6/2004  |
| 2011/0206887 | A1  | 8/2011  | Kim                                    | EM | 0024866960014 6/2004  |
| 2011/0267793 | A1  | 11/2011 | Cohen                                  | EM | 0024866960015 6/2004  |
| 2011/0279383 | A1* | 11/2011 | Wilson ..... G06F 3/041<br>345/173     | EM | 0024866960016 6/2004  |
|              |     |         |  | EM | 0024867120001 6/2004  |
|              |     |         |  | EM | 0024867120002 6/2004  |
| 2011/0309608 | A1  | 12/2011 | Flynn et al.                           | EM | 0024867120003 6/2004  |
| 2012/0043015 | A1  | 2/2012  | Feller                                 | EM | 0024867120004 6/2004  |
| 2012/0063077 | A1  | 3/2012  | Tomobe et al.                          | EM | 0024867120005 6/2004  |
| 2012/0076967 | A1  | 3/2012  | Muramatsu                              | EM | 0024867120006 6/2004  |
| 2012/0087072 | A1  | 4/2012  | McGuire et al.                         | EM | 0024867120007 6/2004  |
| 2012/0110868 | A1  | 5/2012  | Abbondanzio                            | EM | 0024867120008 6/2004  |
| 2012/0183712 | A1  | 7/2012  | Leonhard et al.                        | EM | 0024867120009 6/2004  |
| 2012/0211168 | A1  | 8/2012  | Patel et al.                           | EM | 0024867120010 6/2004  |
| 2012/0211170 | A1  | 8/2012  | Patel et al.                           | EM | 0024867120011 6/2004  |
| 2012/0261930 | A1  | 10/2012 | Bethea                                 | EM | 0024867120012 6/2004  |
| 2012/0268394 | A1  | 10/2012 | Hsu et al.                             | EM | 0024867120013 6/2004  |
| 2012/0276318 | A1  | 11/2012 | Franke                                 | EM | 0024867120014 6/2004  |
| 2013/0020005 | A1  | 1/2013  | Koblick et al.                         | EM | 0024867120015 6/2004  |
| 2013/0020020 | A1  | 1/2013  | Liu                                    | EM | 0024867120016 6/2004  |
| 2013/0040088 | A1  | 2/2013  | Hirayama et al.                        | JP | 10199422 7/1998       |
| 2013/0048203 | A1  | 2/2013  | Yau et al.                             | JP | 2002049327 2/2002     |
| 2013/0113348 | A1  | 5/2013  | Holben et al.                          | JP | 2002057764 2/2002     |
| 2013/0156999 | A1  | 6/2013  | Braesch et al.                         | JP | 2003066419 3/2003     |
| 2013/0184845 | A1  | 7/2013  | Hales                                  | JP | 2006145918 6/2006     |
| 2013/0237296 | A1  | 9/2013  | Chen                                   | JP | 2006155452 6/2006     |
| 2013/0264235 | A1  | 10/2013 | Lin                                    | JP | 3124275 8/2006        |
| 2014/0047708 | A1  | 2/2014  | Chae                                   | KR | 3180690 12/2012       |
| 2014/0055927 | A1  | 2/2014  | Wang                                   | KR | 200454225 6/2011      |
| 2014/0124146 | A1  | 5/2014  | Patel et al.                           | KR | 101080018 11/2011     |
| 2014/0130971 | A1  | 5/2014  | Wu et al.                              | KR | 101135144 4/2012      |
| 2014/0250964 | A1  | 9/2014  | Dai et al.                             | KR | 101176316 8/2012      |
| 2014/0332417 | A1* | 11/2014 | Wicks ..... H04B 1/3888<br>206/37      | KR | 1020130043720 5/2013  |
|              |     |         |  | KR | 300704457 8/2013      |
|              |     |         |  | KR | 300704458 8/2013      |
|              |     |         |  | KR | 300704459 8/2013      |
| 2014/0338829 | A1  | 11/2014 | Peng et al.                            | KR | 300704460 8/2013      |
| 2015/0000831 | A1  | 1/2015  | Wang                                   | KR | 1020130092713 8/2013  |
| 2015/0041069 | A1* | 2/2015  | Wadsworth ..... B29C 63/024<br>156/535 | KR | 1020130092804 8/2013  |
|              |     |         |  | KR | 300720375 12/2013     |
| 2015/0047773 | A1  | 2/2015  | Wadsworth et al.                       | KR | 300720376 12/2013     |
| 2015/0107767 | A1  | 4/2015  | Wadsworth et al.                       | KR | 101408663 6/2014      |
| 2015/0121691 | A1  | 5/2015  | Wang                                   | KR | 1020140070046 6/2014  |
| 2015/0136314 | A1  | 5/2015  | Napier                                 | KR | 1020140076245 6/2014  |
| 2015/0227226 | A1* | 8/2015  | Wierenga ..... G06F 3/041<br>345/173   | KR | 101468710 12/2014     |
|              |     |         |  | KR | 200475419 12/2014     |
| 2015/0362736 | A1* | 12/2015 | Kowasic ..... G02B 27/027<br>359/478   | KR | 200475420 12/2014     |
|              |     |         |  | KR | 1020140136596 12/2014 |
| 2016/0009024 | A1  | 1/2016  | Mason                                  | KR | 1020140142904 12/2014 |
| 2016/0253039 | A1  | 9/2016  | Heo et al.                             | KR | 1020140143262 12/2014 |
| 2017/0001364 | A1* | 1/2017  | MacDonald ..... B29C 63/0004           | KR | 1020150006910 1/2015  |

|    |               |         |
|----|---------------|---------|
| KR | 200476916     | 4/2015  |
| KR | 1020150039292 | 4/2015  |
| KR | 2020150001663 | 5/2015  |
| KR | 300804459     | 7/2015  |
| KR | 1020160022665 | 3/2016  |
| KR | 1020160022755 | 3/2016  |
| KR | 1020160061078 | 5/2016  |
| KR | 1020160088067 | 7/2016  |
| KR | 1020160091491 | 8/2016  |
| KR | 2020170000128 | 1/2017  |
| TW | 1401223       | 7/2013  |
| WO | 2003093879    | 11/2003 |
| WO | 2004005141    | 1/2004  |
| WO | 2005058705    | 6/2005  |
| WO | WO2011065796  | 6/2011  |
| WO | 2011163151    | 12/2011 |
| WO | 2012074802    | 6/2012  |
| WO | 2012141505    | 10/2012 |

## OTHER PUBLICATIONS

Belkin Ez Frame Iris Anti-glare Film, posted at ebay.com, posting date Jul. 26, 2016, Copyright © 1995-2017 eBay Inc., [online], [site visited Mar. 20, 2017]. Available from Internet, <URL: <http://www.ebay.com/itm/BelkinEzFrameIrisAntiglareFilmwithEasyInstallFrameforIphone5s/171728155795>>.\*

Belkin InvisiGlass Ultra Screen Protection for iPhone 7, posted at apple.com, posting date not given, Copyright © 2017 Apple Inc., [online], [site visited Mar. 20, 2017]. Available from Internet, <URL: <http://www.apple.com/shop/product/HKHF2ZM/B/belkininvisiultrascreenprotectionforiphone7>>.\*

Belkin ScreenForce Transparent Screen Protector, posted at belkin.com, © 2017 Belkin International, Inc., [online], [site visited Mar. 20, 2017]. Available from Internet, <URL: <http://www.belkin.com/us/F8W526-3/p/P-F8W526-3/>>.\*

International Search Report and Written Opinion for PCT/US2014/071767 dated Apr. 24, 2015.

International Search Report and Written Opinion for PCT/US2014/060300 dated Jan. 27, 2015.

Amzer—Kristal Screen Protectors—<http://www.amzer.com/kristal/>, Mar. 21, 2014.

MyScreenProtector—<https://www.myscreenprotector.com/?lng=3&view=cms&txt=about-my-screen-protector>, Mar. 21, 2014.

PureGear—PureTek Roll-On Kit—<http://www.pure-gear.com/shop-by-category/screen/puretek-roll-on-kit-antibacterial-antiglare-anti-fingerprint.html>, Mar. 21, 2014.

Tylt Alin Perfect Alignment Screen Protection—<http://www.tylt.com/alin/>, Mar. 21, 2014.

ZAGG Introduces invisibleShield On Demand and invisible Shield Glass at CES 2—<http://investors.zagg.com/releasedetail.cfm?ReleaseID=817526>, Mar. 21, 2014.

International Search Report and Written Opinion for PCT/US2014/050420 dated Nov. 19, 2014.

International Search Report and Written Opinion for PCT/US 09/61553, dated Dec. 17, 2009.

Protrusion on “F” key of computer keyboard; 1 page; picture taken Oct. 20, 2008.

Protrusion on “5” key of telephone; 1 page; picture taken Oct. 20, 2008.

Systech Displays, Inc.; Home page; <http://www.systechdisplays.com/>; Oct. 21, 2008; 2 pages.

Translation of KR-10-1135144, retrieved from the Internet on Jun. 9, 2017.

International Search Report and Written Opinion for PCT/US2017/051882, dated Nov. 29, 2017.

\* cited by examiner

Primary Examiner — George D. Kirschbaum

Assistant Examiner — Maria J Edwards

(74) Attorney, Agent, or Firm — Bryan Cave Leighton Paisner LLP

## (57) CLAIM

We claim the ornamental design for the overlay, substantially as shown.

## DESCRIPTION

FIG. 1 is a top perspective view of an overlay, according to a first embodiment;

FIG. 2 is a bottom perspective view of the overlay, according to the first embodiment;

FIG. 3 is a top plan view of the overlay, according to the first embodiment;

FIG. 4 is a bottom plan view of the overlay, according to the first embodiment;

FIG. 5 is a side elevational view of the overlay, according to the first embodiment;

FIG. 6 is an opposite side elevational view of the overlay, according to the first embodiment;

FIG. 7 is an enlarged side elevational view of a portion of the overlay, as identified in FIG. 5, according to the first embodiment;

FIG. 8 is a top perspective view of an overlay, according to a second embodiment;

FIG. 9 is a bottom perspective view of the overlay, according to the second embodiment;

FIG. 10 is a top plan view of the overlay, according to the second embodiment;

FIG. 11 is a bottom plan view of the overlay, according to the second embodiment;

FIG. 12 is a side elevational view of the overlay, according to the second embodiment;

FIG. 13 is an opposite side elevational view of the overlay, according to the second embodiment;

FIG. 14 is an enlarged side elevational view of a portion of the overlay, as identified in FIG. 12, according to the second embodiment;

FIG. 15 is a top perspective view of an overlay, according to a third embodiment;

FIG. 16 is a bottom perspective view of the overlay, according to the third embodiment;

FIG. 17 is a top plan view of the overlay, according to the third embodiment;

FIG. 18 is a bottom plan view of the overlay, according to the third embodiment;

FIG. 19 is a side elevational view of the overlay, according to the third embodiment;

FIG. 20 is an opposite side elevational view of the overlay, according to the third embodiment;

FIG. 21 is an enlarged side elevational view of a portion of the overlay, as identified in FIG. 19, according to the third embodiment;

FIG. 22 is a top perspective view of an overlay, according to a fourth embodiment;

FIG. 23 is a bottom perspective view of the overlay, according to the fourth embodiment;

FIG. 24 is a top plan view of the overlay, according to the fourth embodiment;

FIG. 25 is a bottom plan view of the overlay, according to the fourth embodiment;

FIG. 26 is a side elevational view of the overlay, according to the fourth embodiment;

FIG. **27** is an opposite side elevational view of the overlay, according to the fourth embodiment; and,

FIG. **28** is an enlarged side elevational view of a portion of the overlay, as identified in FIG. **26**, according to the fourth embodiment.

The evenly dashed broken lines of the various embodiments of the overlay are directed to environment and are for illustrative purposes only; the evenly dashed broken lines form no part of the claimed design.

**1 Claim, 12 Drawing Sheets**

FIG. 1

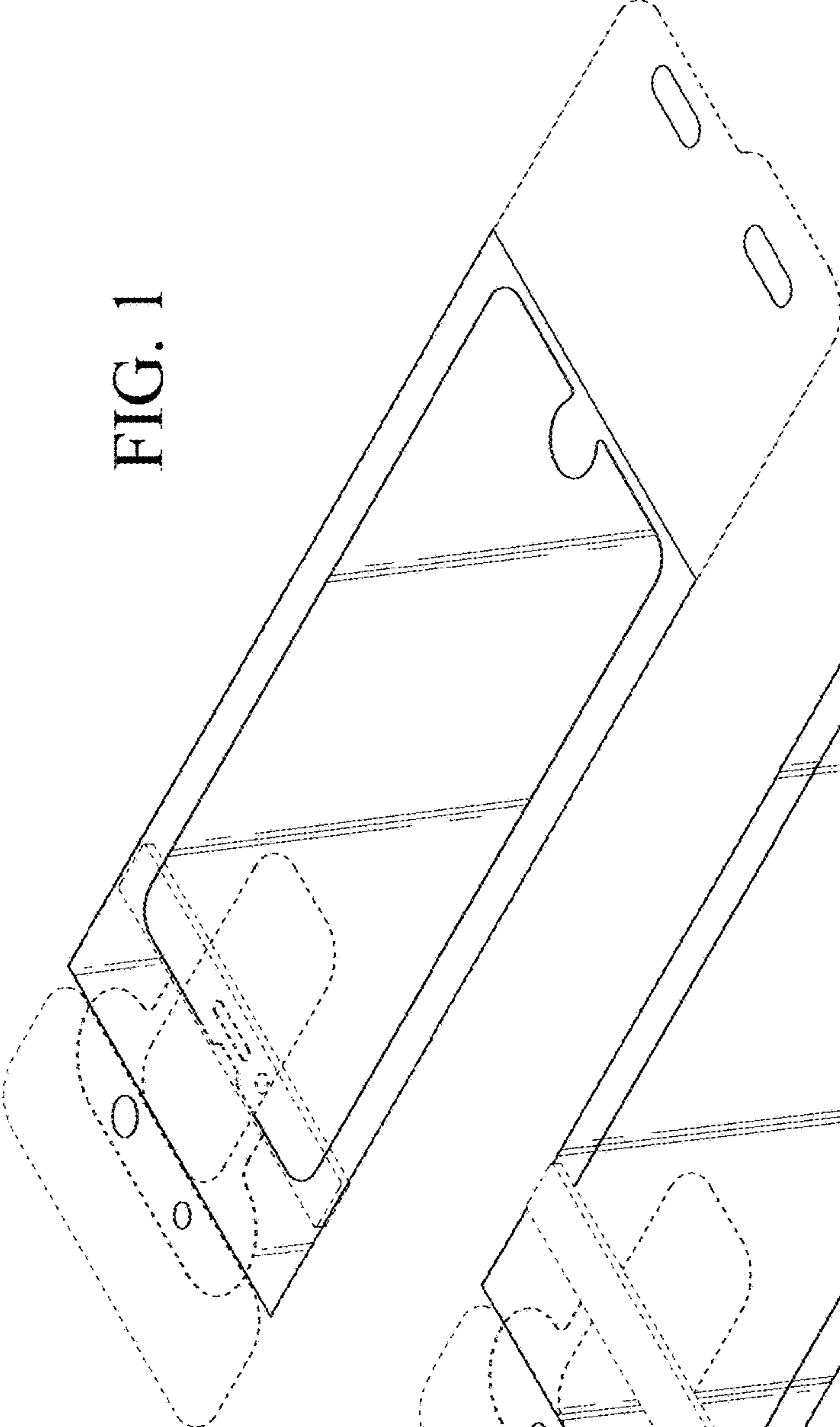
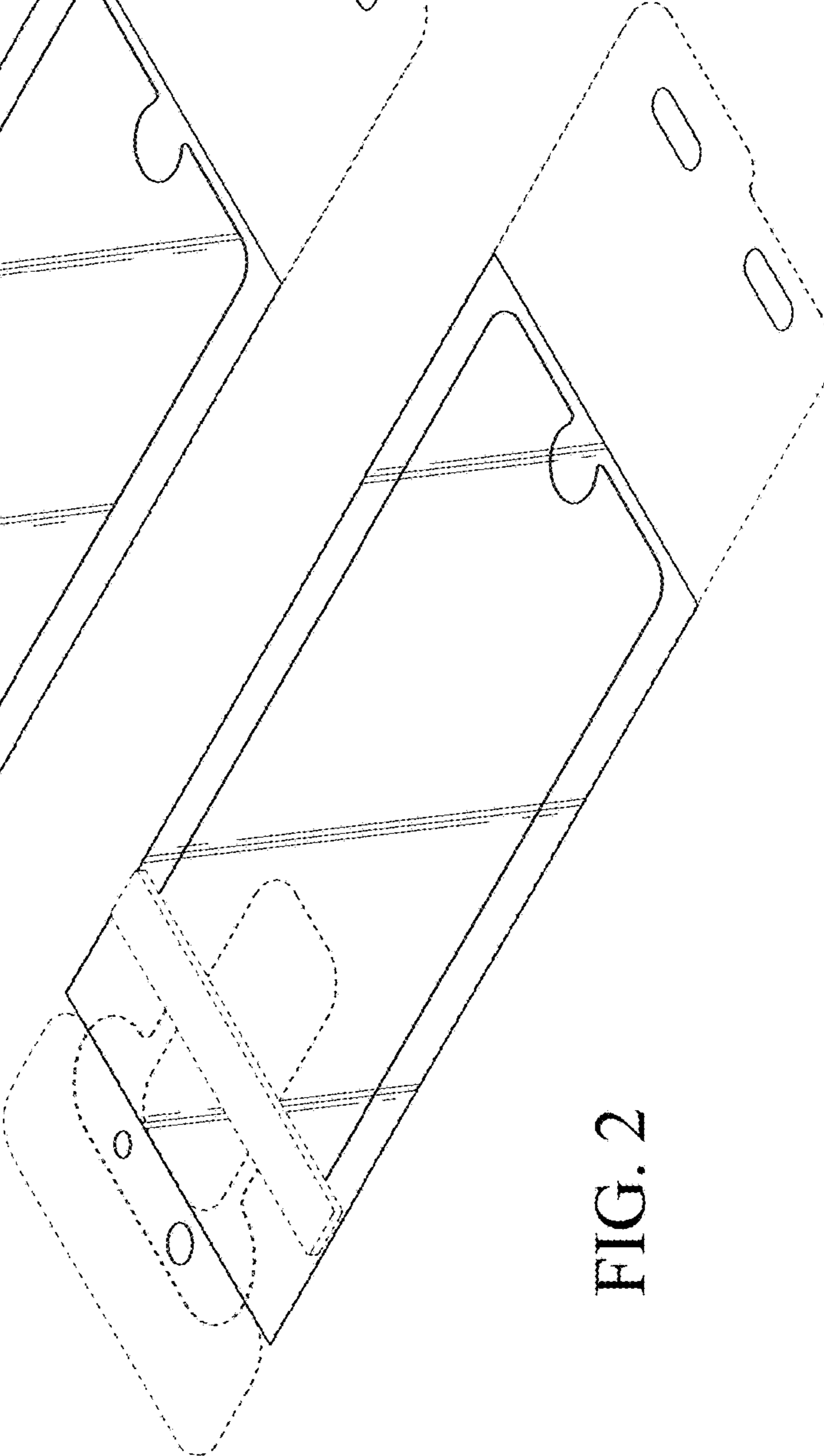


FIG. 2



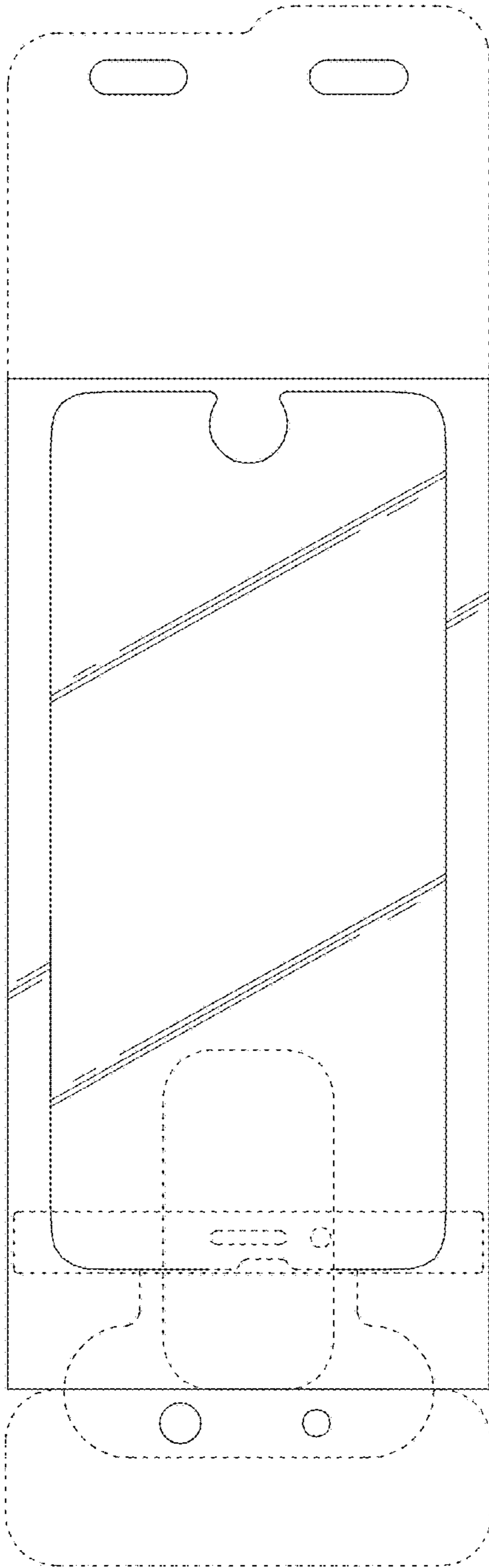


FIG. 3

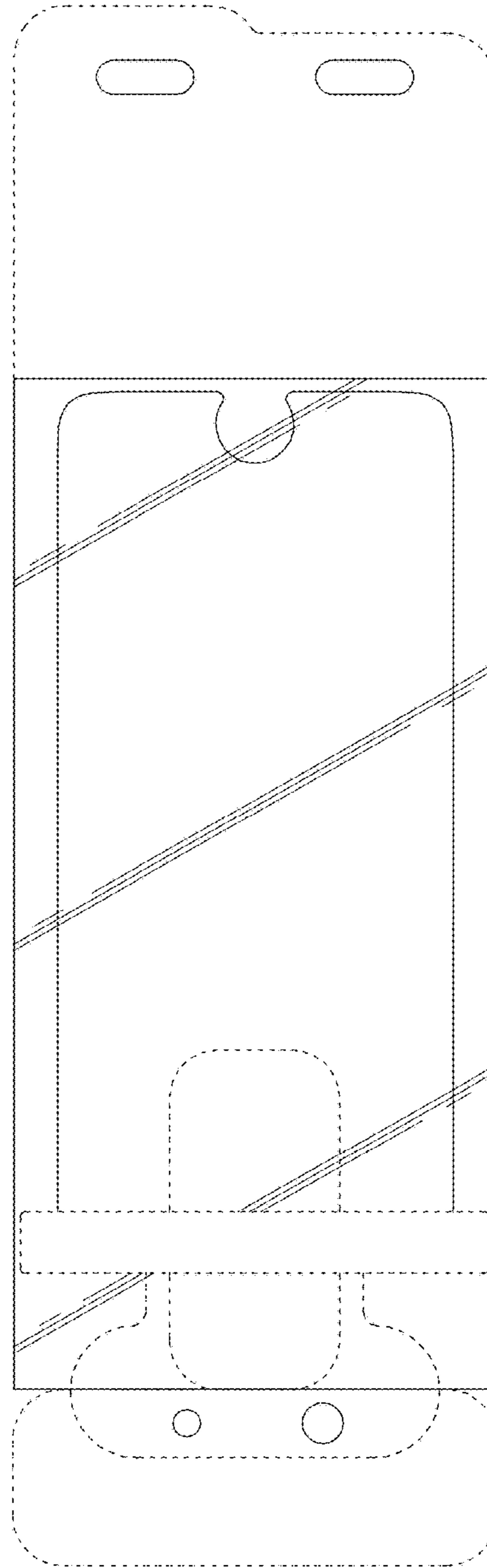


FIG. 4

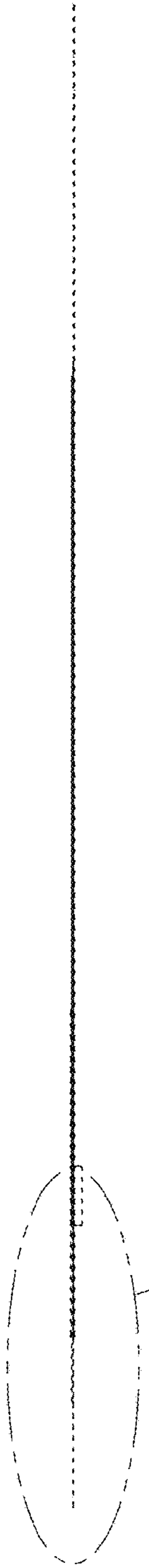


FIG. 5

FIG. 7



FIG. 6

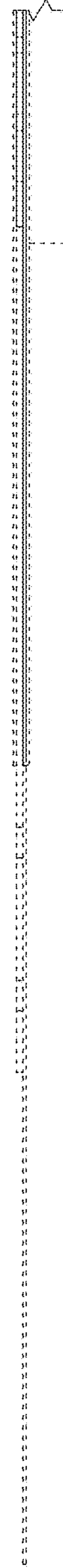


FIG. 7

FIG. 8

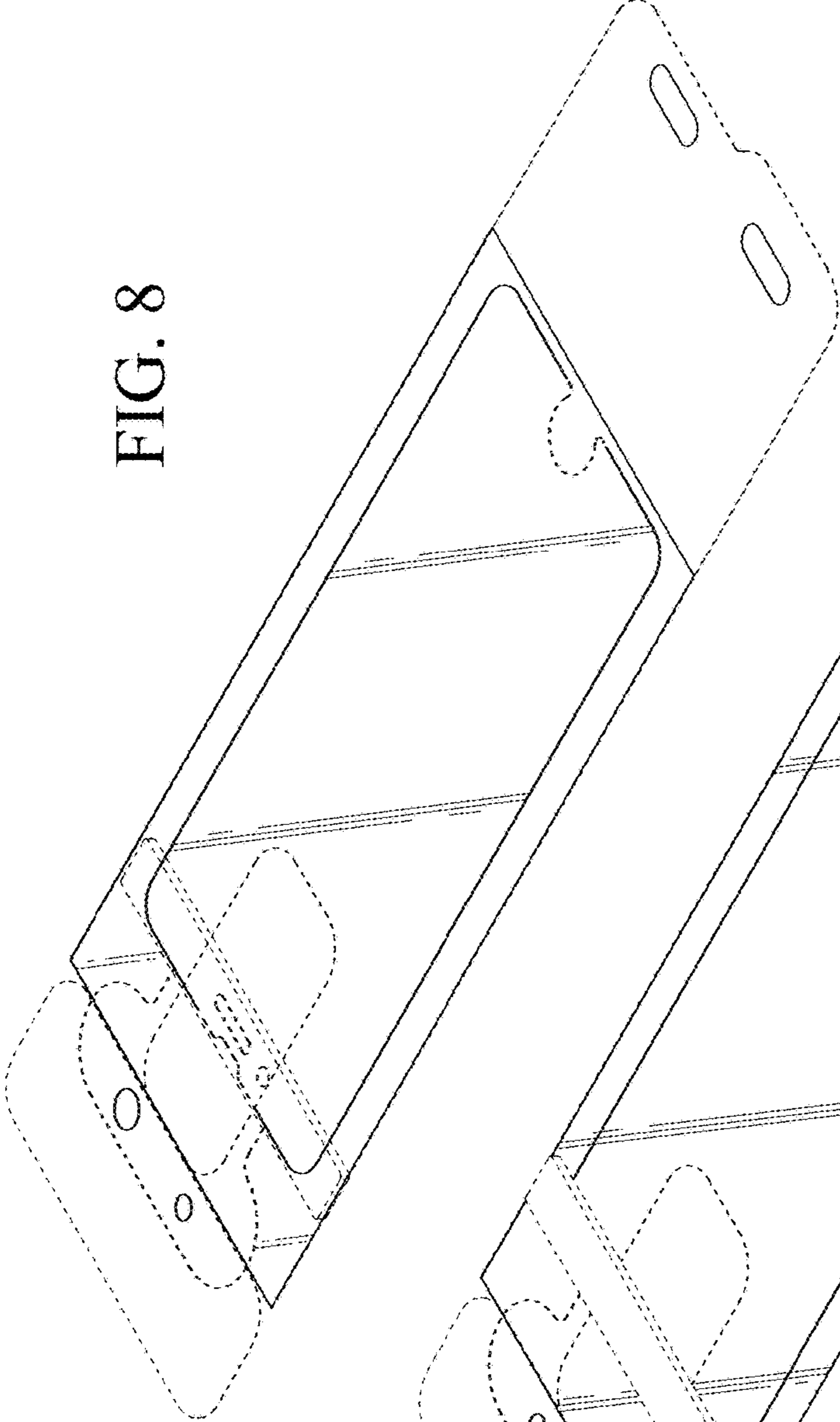
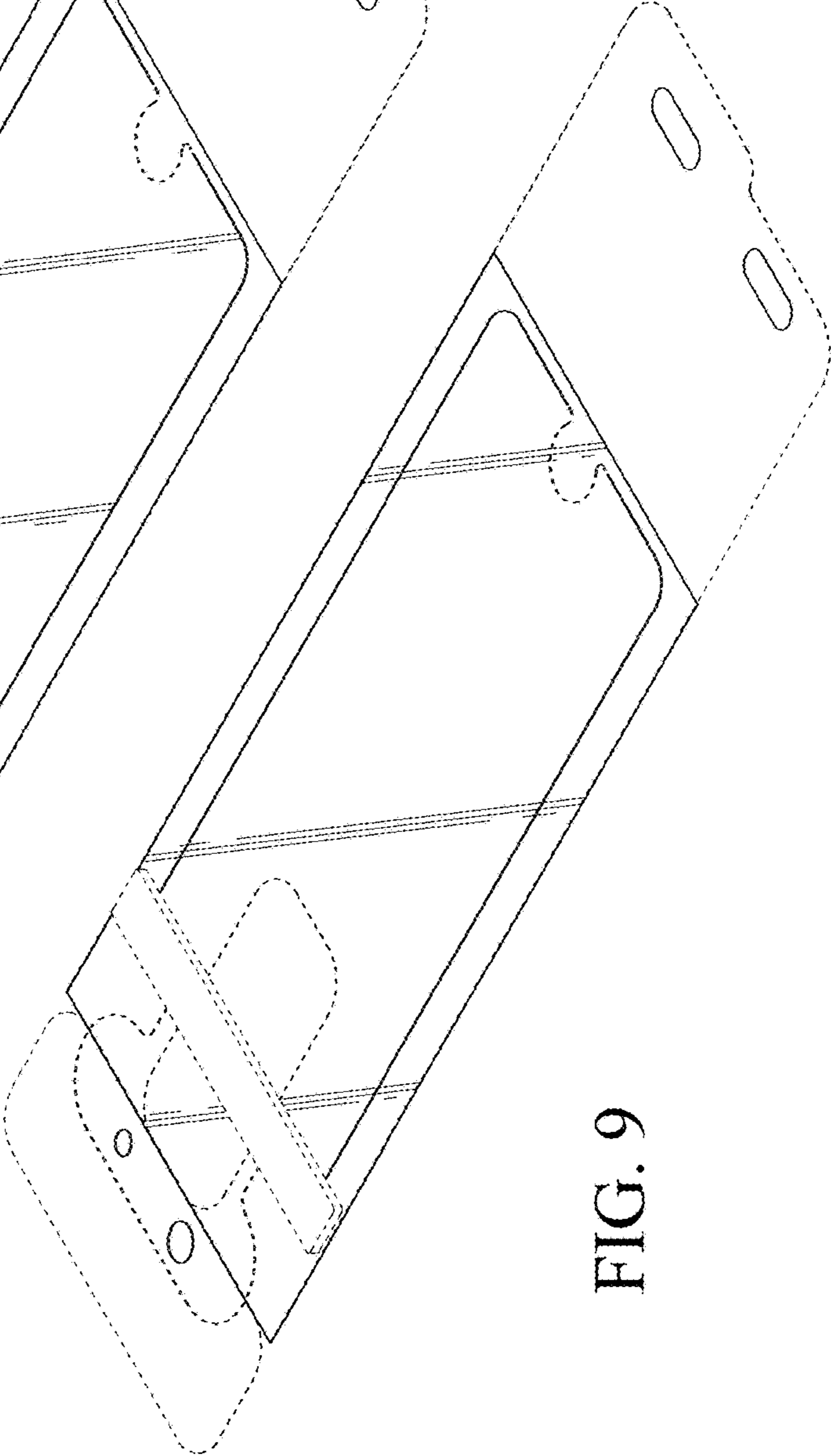


FIG. 9





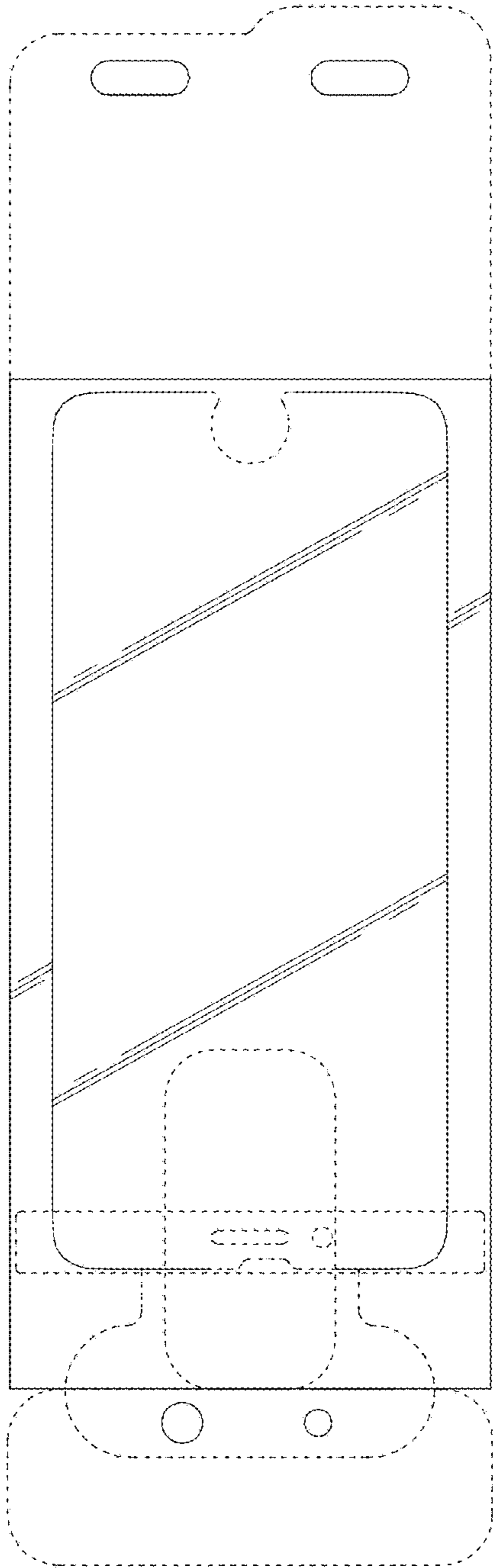


FIG. 10

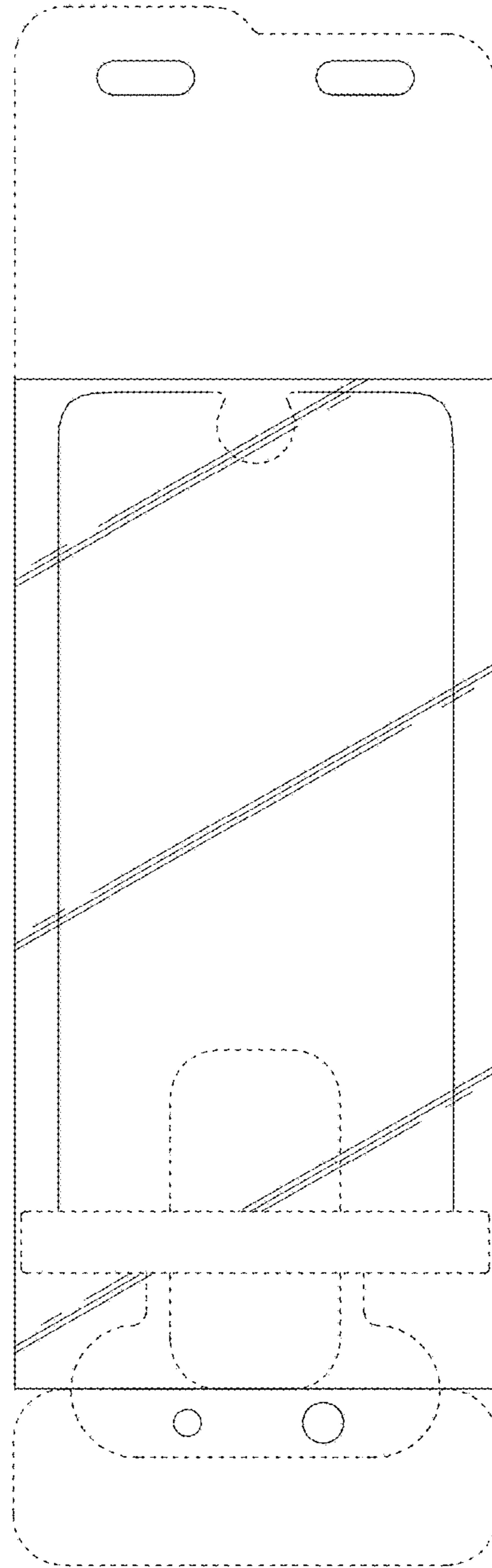


FIG. 11

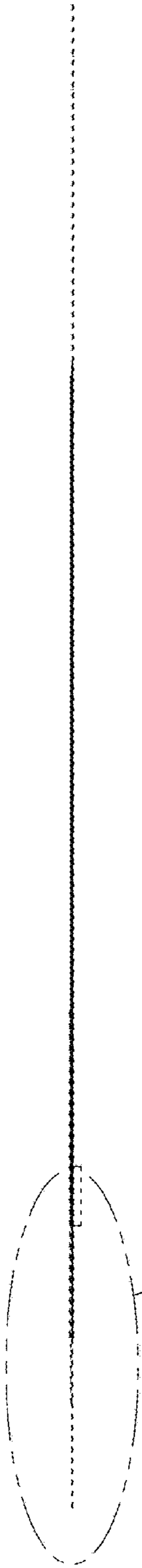


FIG. 12

FIG. 14



FIG. 13

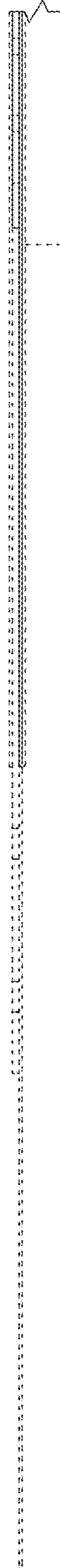


FIG. 14

FIG. 15

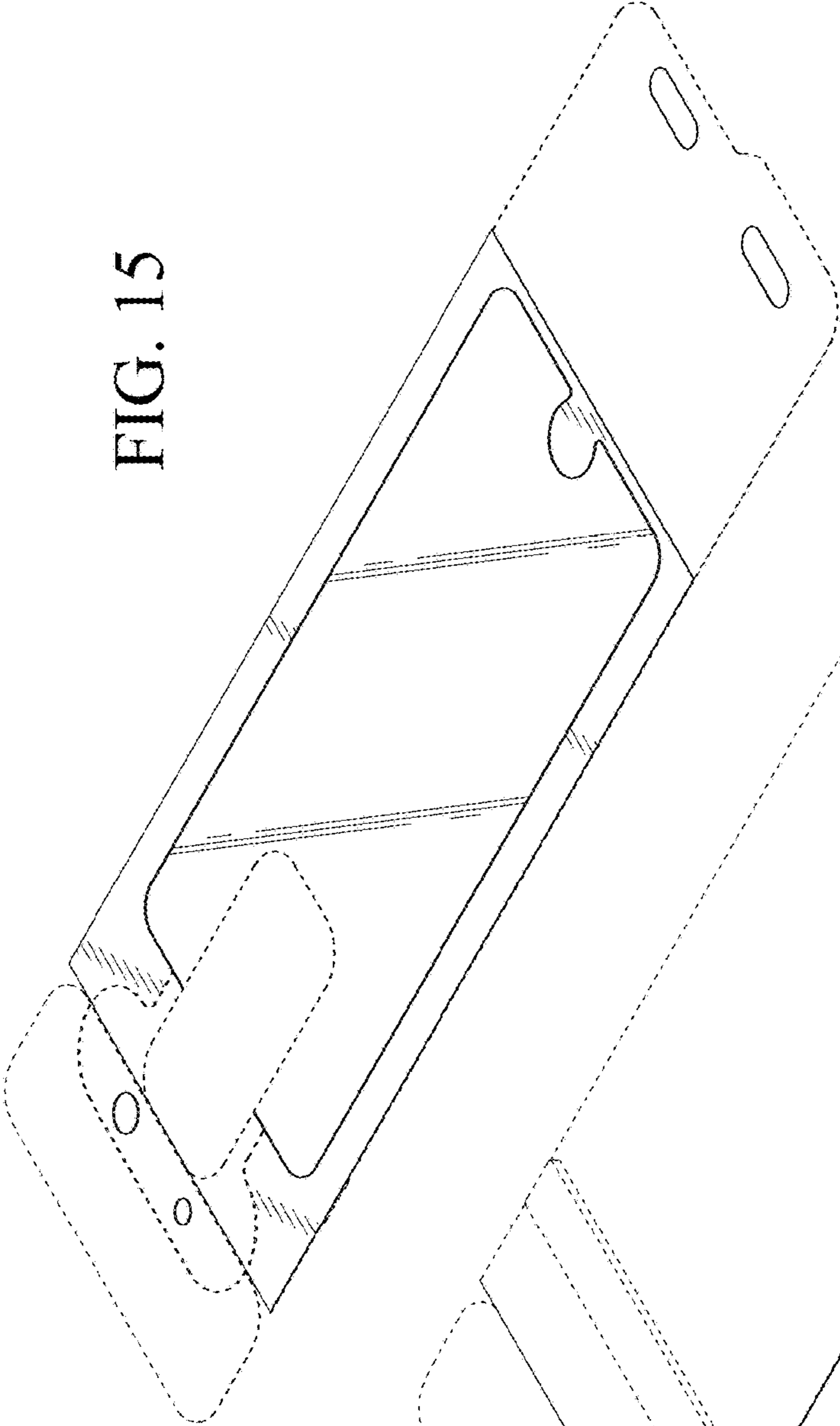
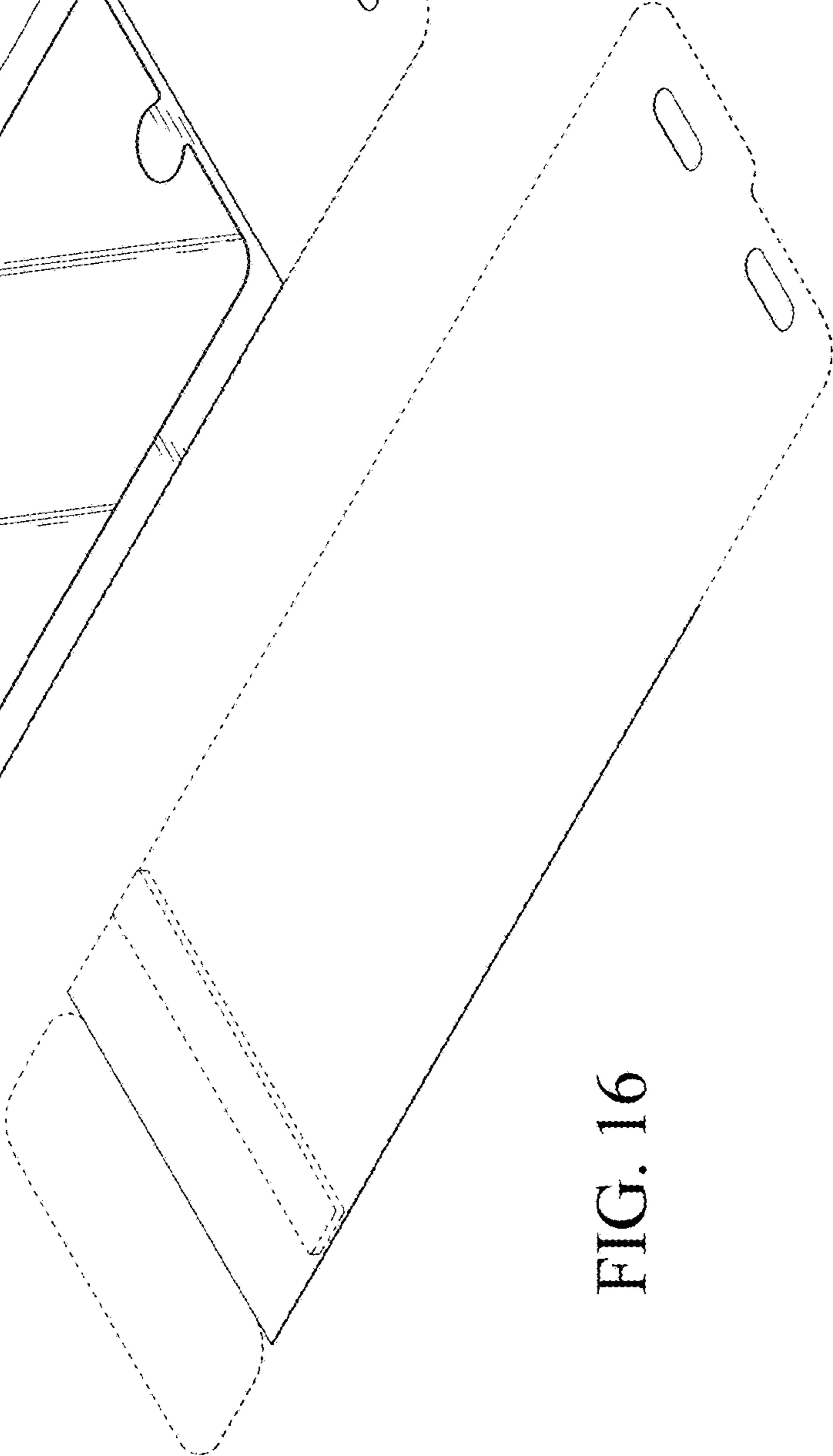


FIG. 16



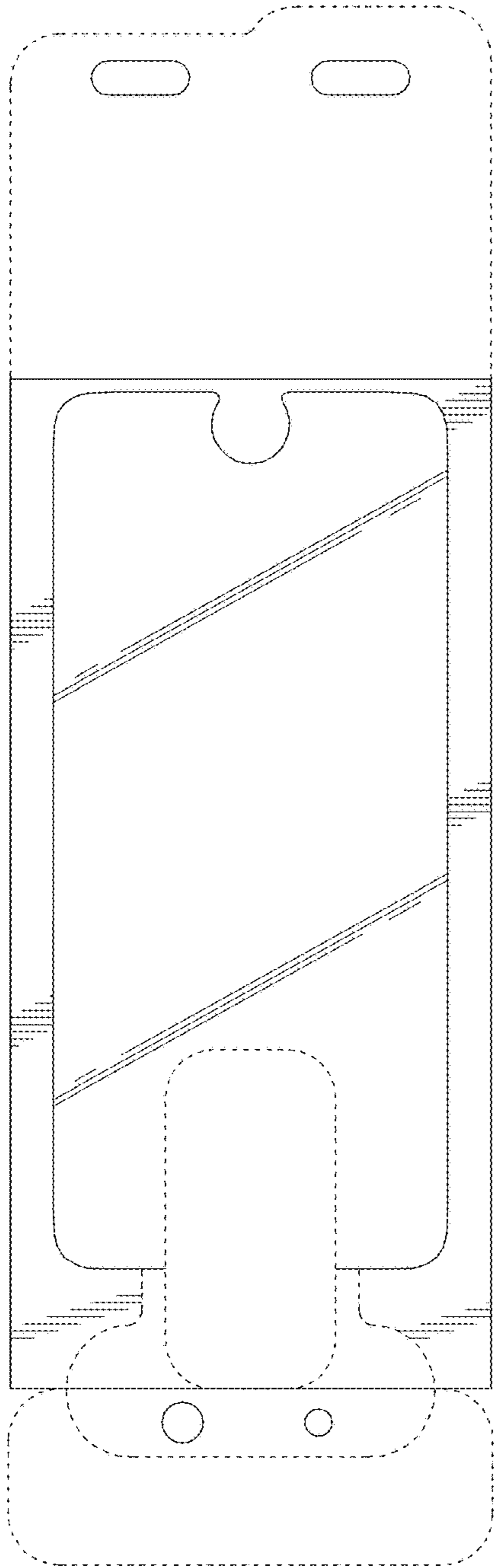


FIG. 17



FIG. 18

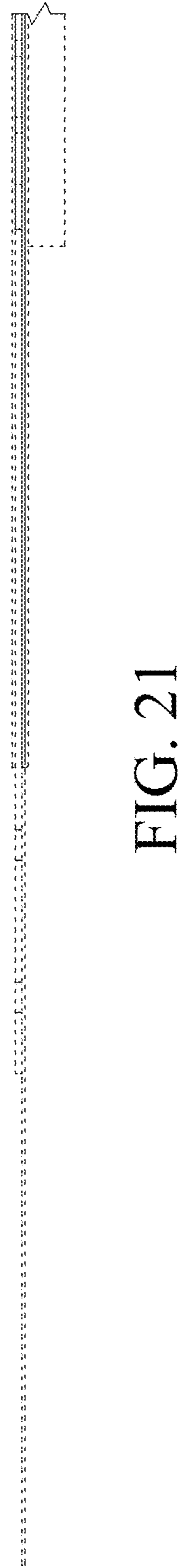
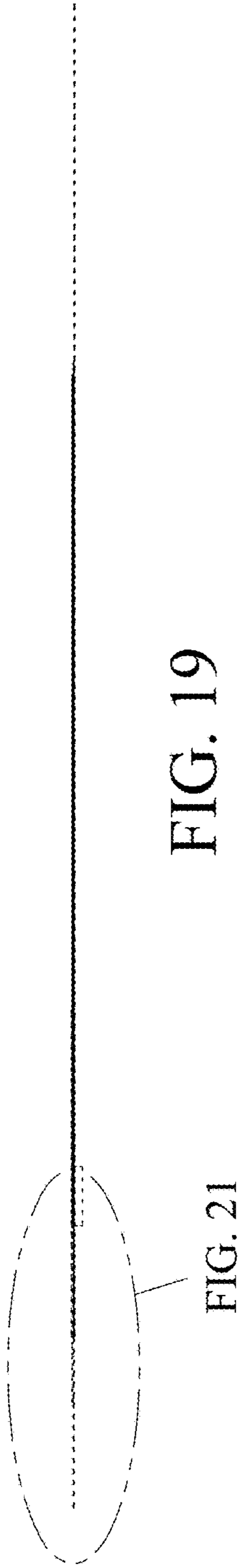


FIG. 22

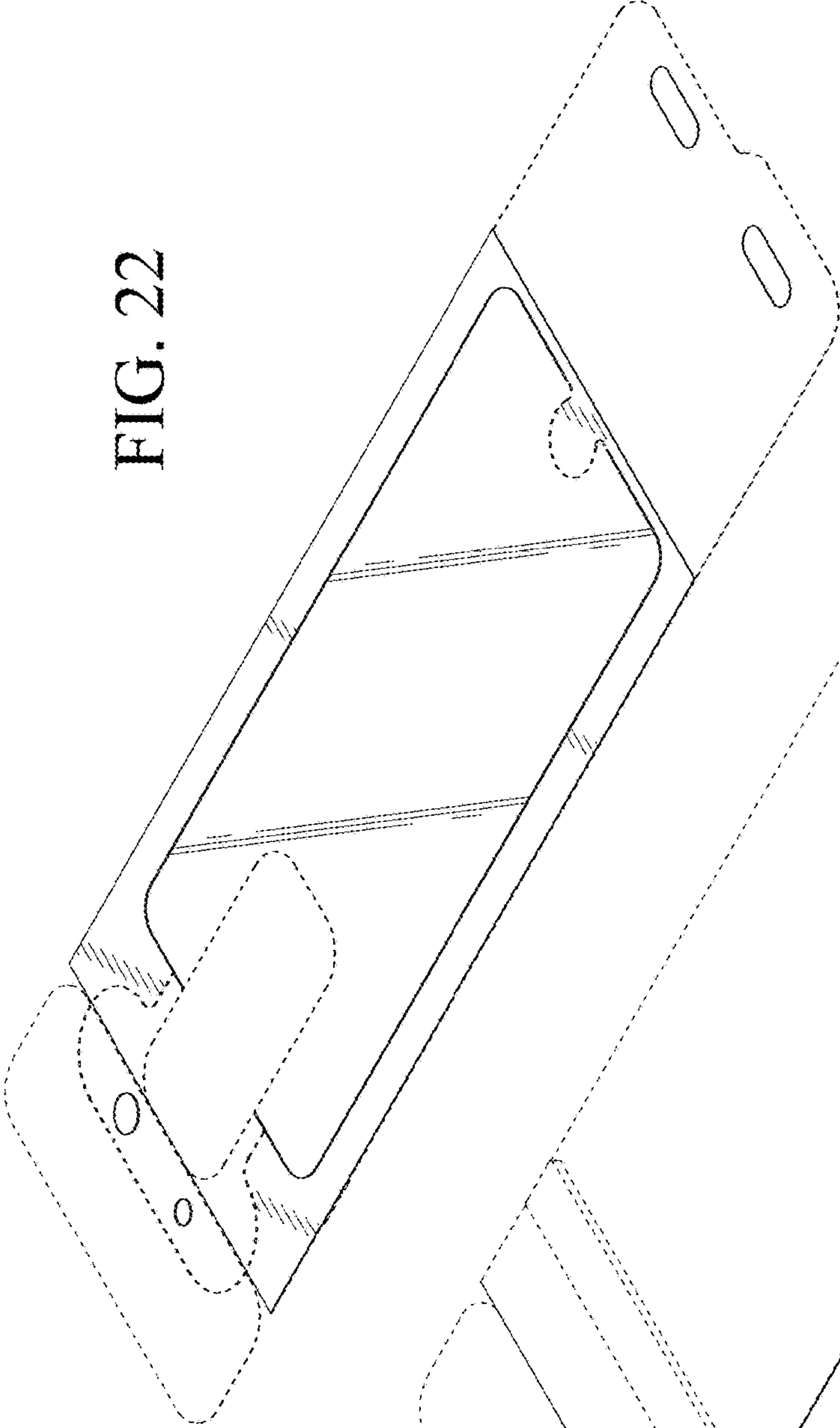
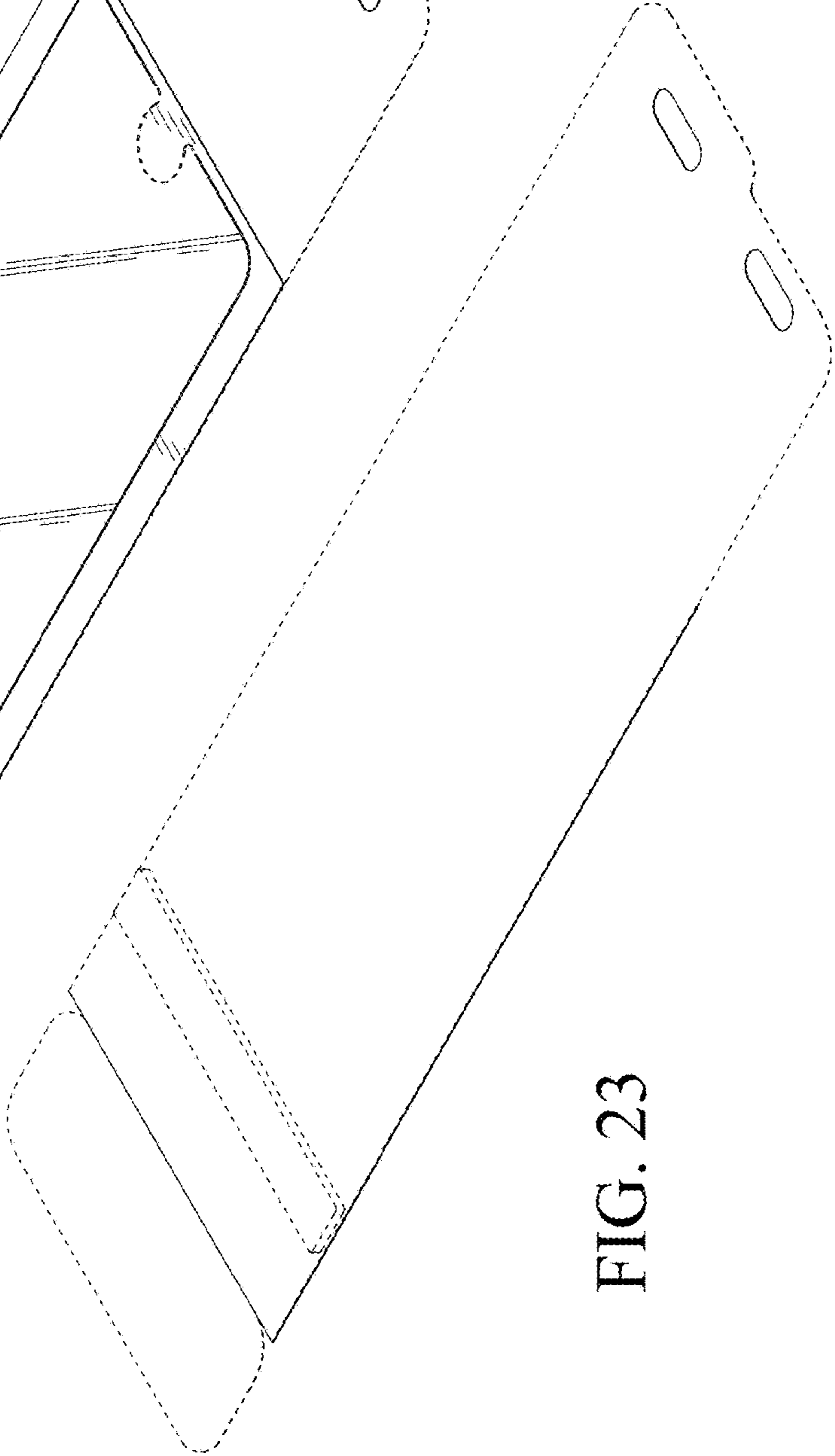


FIG. 23



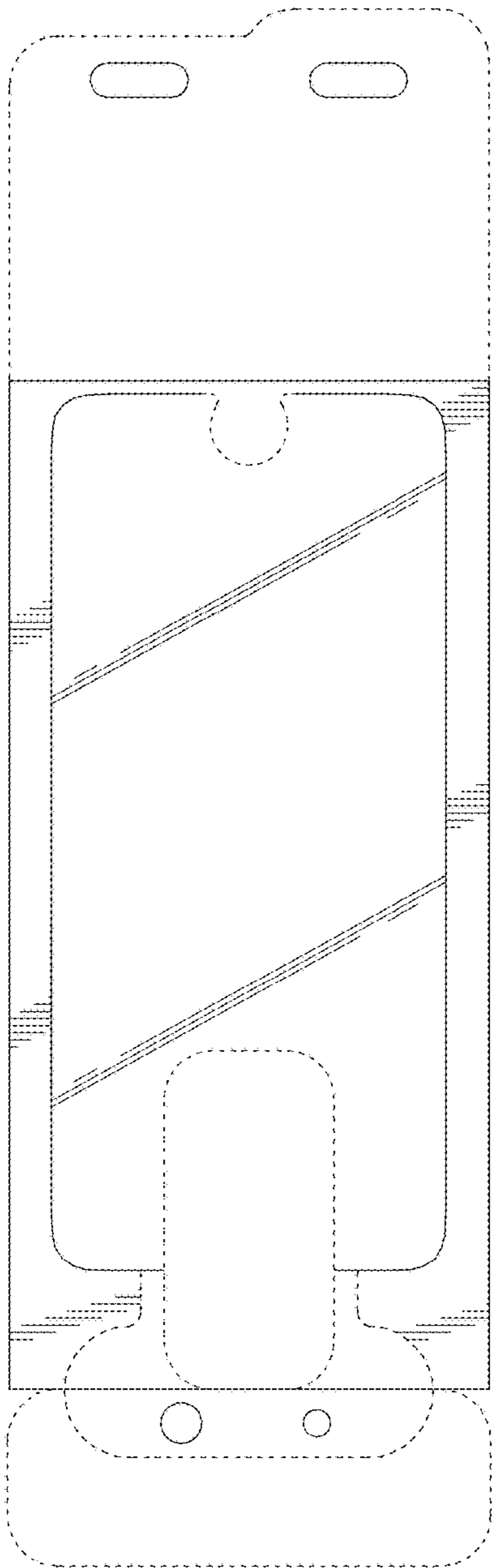


FIG. 24



FIG. 25

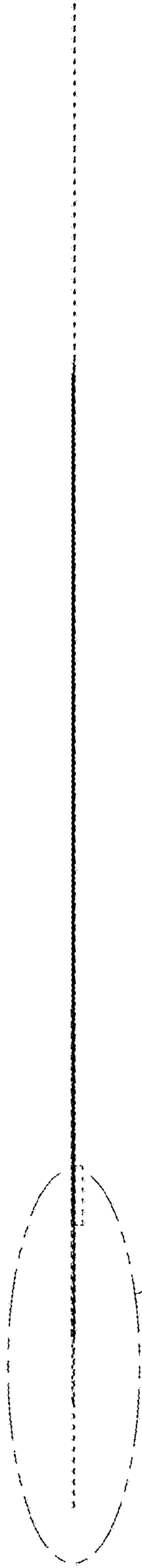


FIG. 26

FIG. 28



FIG. 27

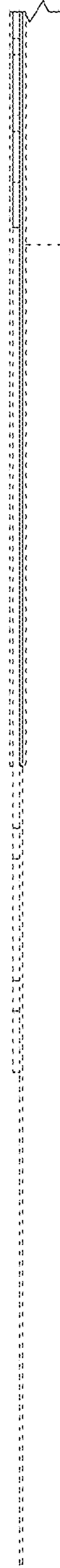


FIG. 28