



US00D817941S

(12) **United States Design Patent**
Wang

(10) **Patent No.:** **US D817,941 S**
(45) **Date of Patent:** **** May 15, 2018**

- (54) **ROUTER**
- (71) Applicant: **Phicomm (Shanghai) Co., Ltd.**,
Shanghai (CN)
- (72) Inventor: **Longfei Wang**, Shanghai (CN)
- (73) Assignee: **PHICOMM (SHANGHAI) CO., LTD.**,
Shanghai (CN)
- (**) Term: **15 Years**
- (21) Appl. No.: **29/607,943**
- (22) Filed: **Jun. 18, 2017**
- (30) **Foreign Application Priority Data**
Dec. 30, 2016 (CN) 2016 3 0659296
- (51) **LOC (11) Cl.** **14-03**
- (52) **U.S. Cl.**
USPC **D14/242**
- (58) **Field of Classification Search**
USPC D14/242, 240, 355, 357, 358, 125,
D14/140-140.9, 155, 137, 139, 243, 239,
D14/433, 496, 188, 348, 351, 356
CPC H04L 12/00; H03K 17/00; H04W 88/00;
H04W 88/005; H04W 88/02; H04W
88/08; H04W 88/085; H04W 88/10;
H04W 88/12; H04W 88/14; H04B 1/38
See application file for complete search history.

(56) **References Cited**
U.S. PATENT DOCUMENTS

D483,353 S *	12/2003	Hyogo	D14/240
D561,750 S *	2/2008	Liu	D14/240
D562,814 S *	2/2008	Liu	D14/240
D598,013 S *	8/2009	Ju	D14/240
D598,449 S *	8/2009	Landry	D14/358
D644,221 S *	8/2011	Kemery	D14/240
D662,496 S *	6/2012	Lewis	D14/240
D733,708 S *	7/2015	Chen	D14/240

D752,562 S *	3/2016	You	D14/240
D759,012 S *	6/2016	Golden	D10/50
D778,889 S *	2/2017	Nagao	D14/240
D780,731 S *	3/2017	Kim	D14/242
D797,101 S *	9/2017	Wieser	D14/358

FOREIGN PATENT DOCUMENTS

CN 304253724 * 8/2017

OTHER PUBLICATIONS

Amazon. <URL: https://www.amazon.com/RT-AC88U-Wireless-AC3100-AiProtection-Complete-Security/dp/B016EWKQAQ/ref=sr_1_3?ie=UTF8&qid=1510084822&s%E2%80%A6> Oct. 30, 2015. ASUS Wireless Router.*

* cited by examiner

Primary Examiner — Bridget L Eland
Assistant Examiner — Lauren McVey

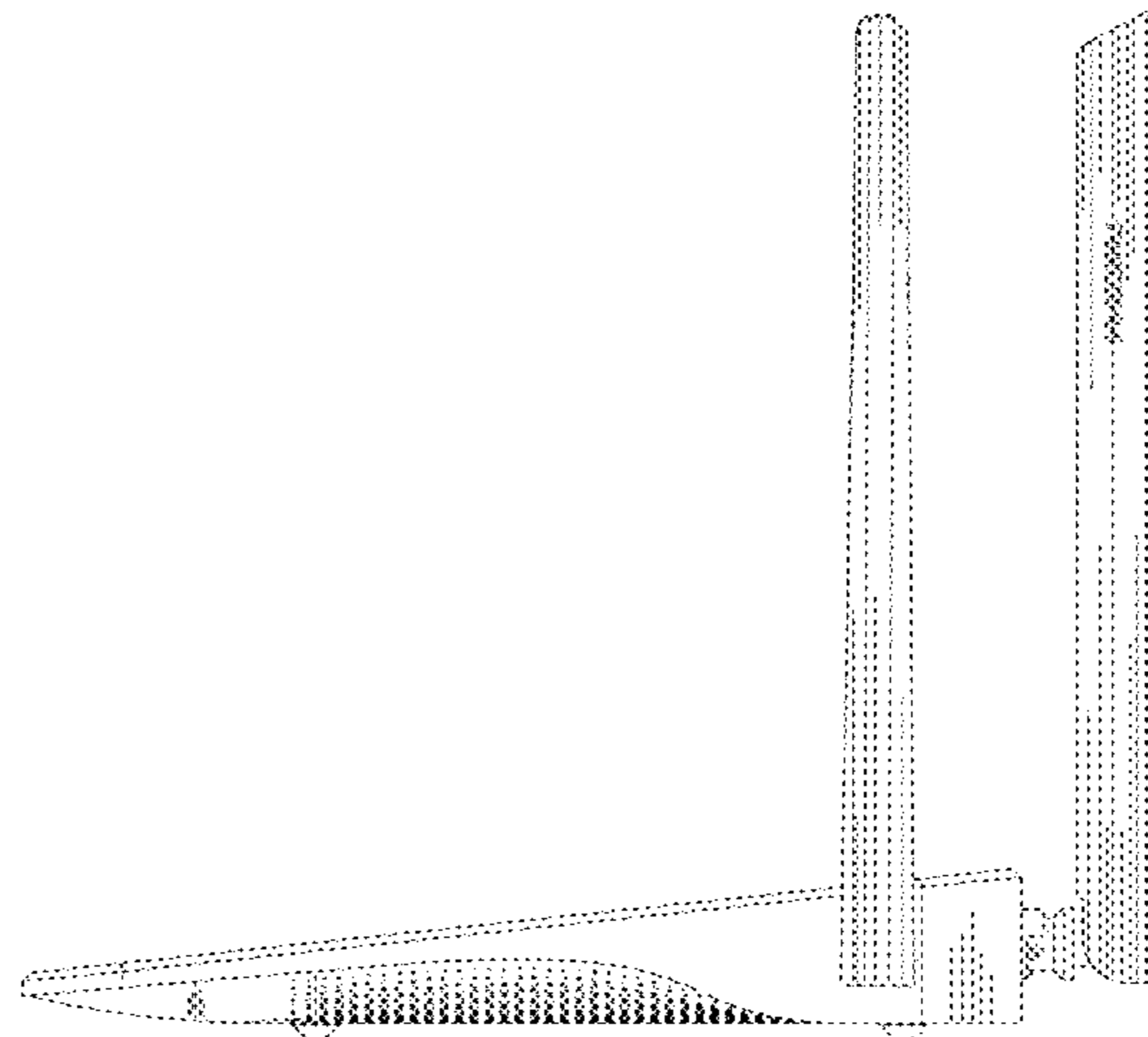
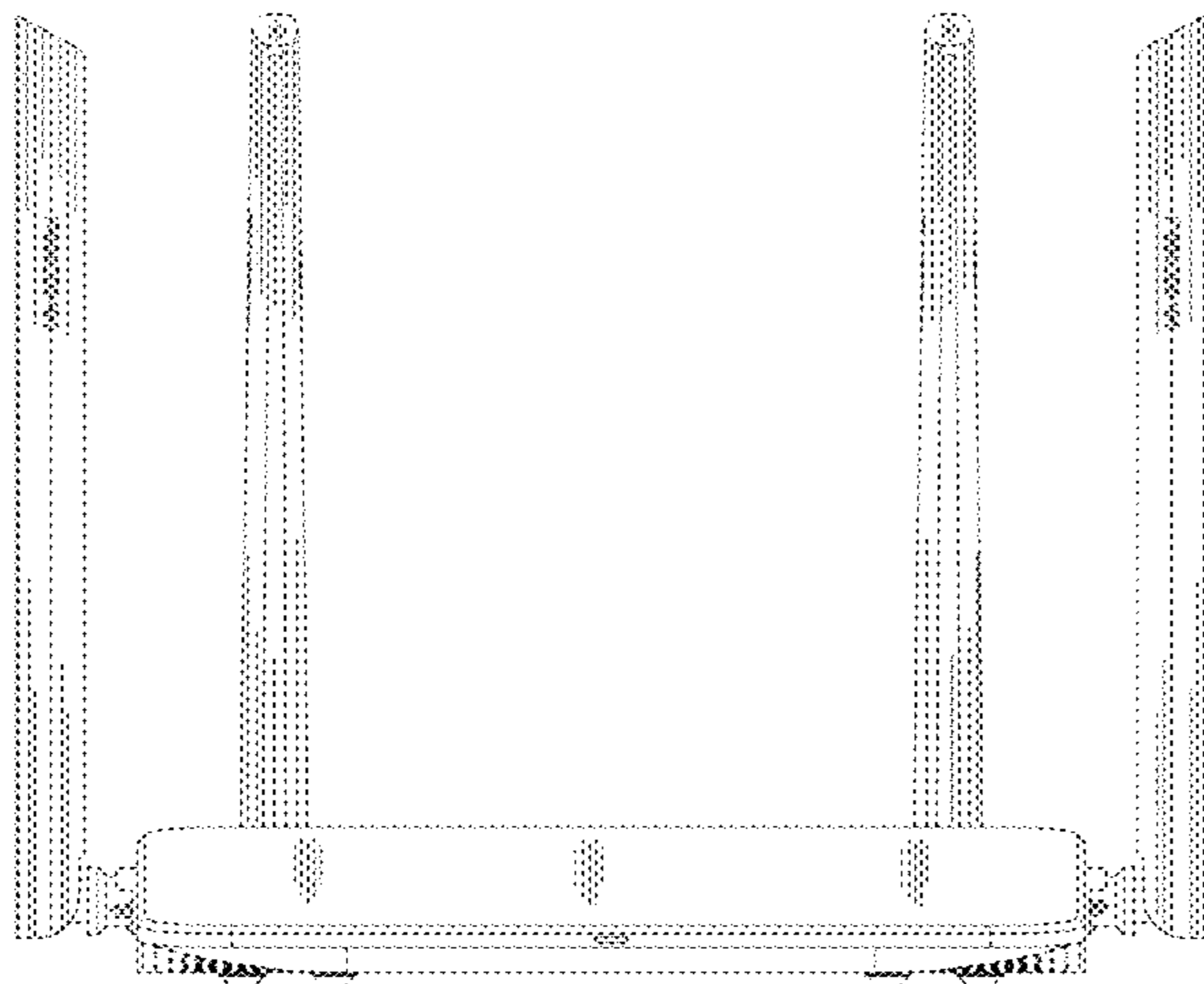
(57) **CLAIM**

The ornamental design for a router, as shown and described.

DESCRIPTION

FIG. 1 is a front elevation view of a router, showing my new design;
FIG. 2 is a rear elevation view thereof;
FIG. 3 is a top plan view thereof;
FIG. 4 is a bottom plan view thereof;
FIG. 5 is a right side elevation view thereof;
FIG. 6 is a left side elevation view thereof;
FIG. 7 is a top front perspective view thereof; and,
FIG. 8 is top rear perspective view thereof.
The shading shown throughout the views indicates surface contour.
The PHICOMM lettering forming part of the claimed design (shown in FIGS. 1, 2, 5-8) is a registered trademark of PHICOMM (SHANGHAI) CO., LTD.

1 Claim, 8 Drawing Sheets



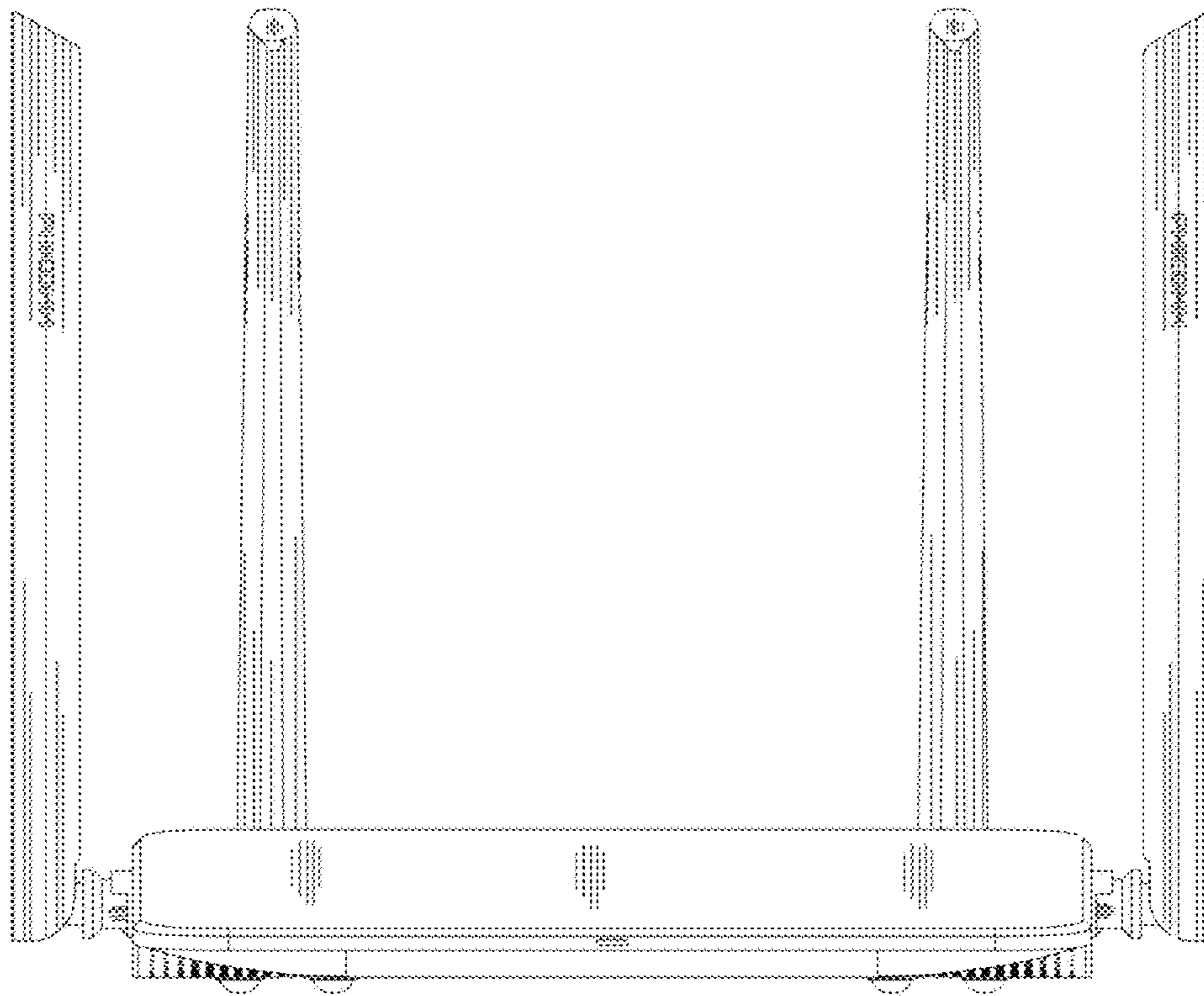


FIG. 1

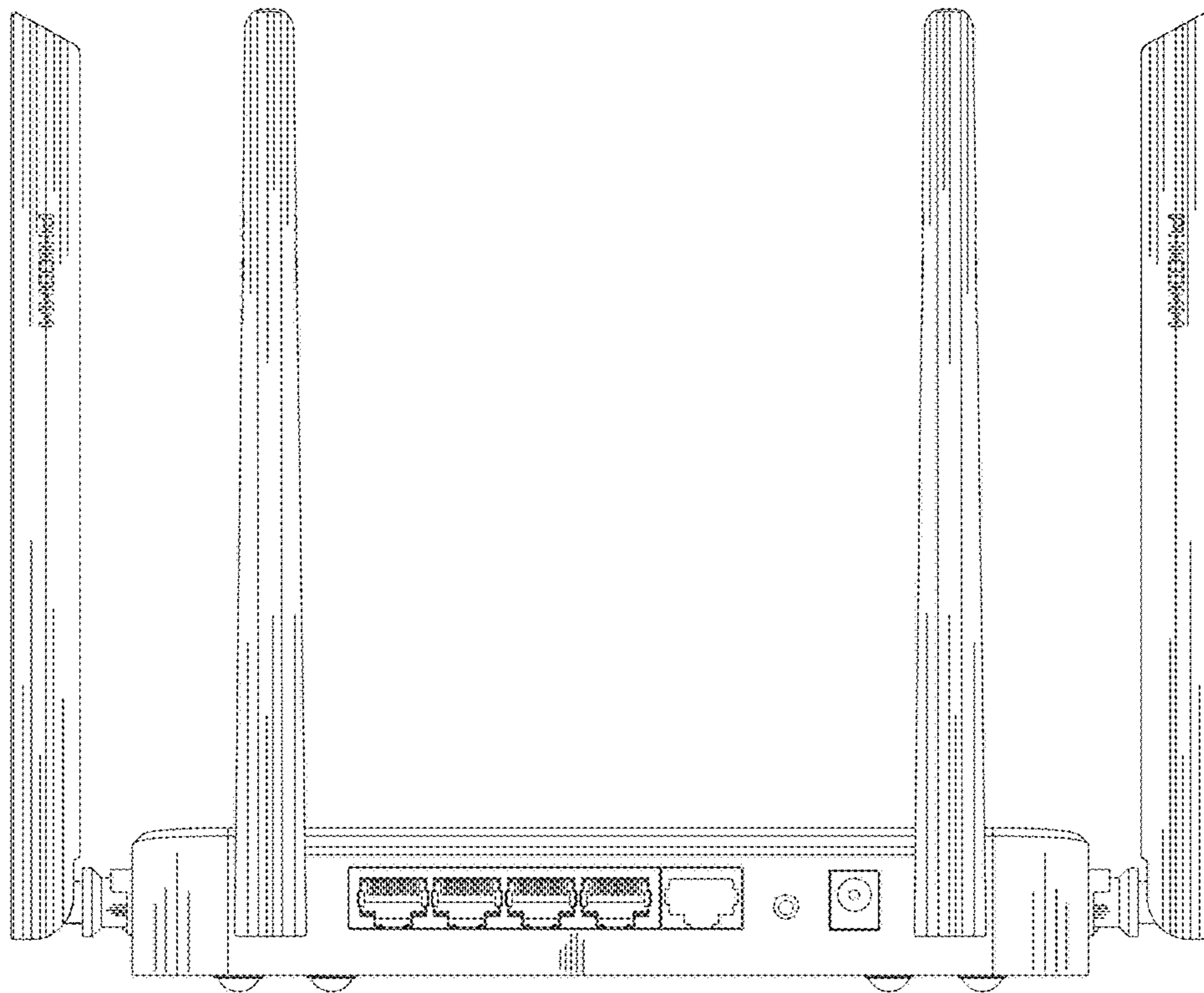


FIG. 2

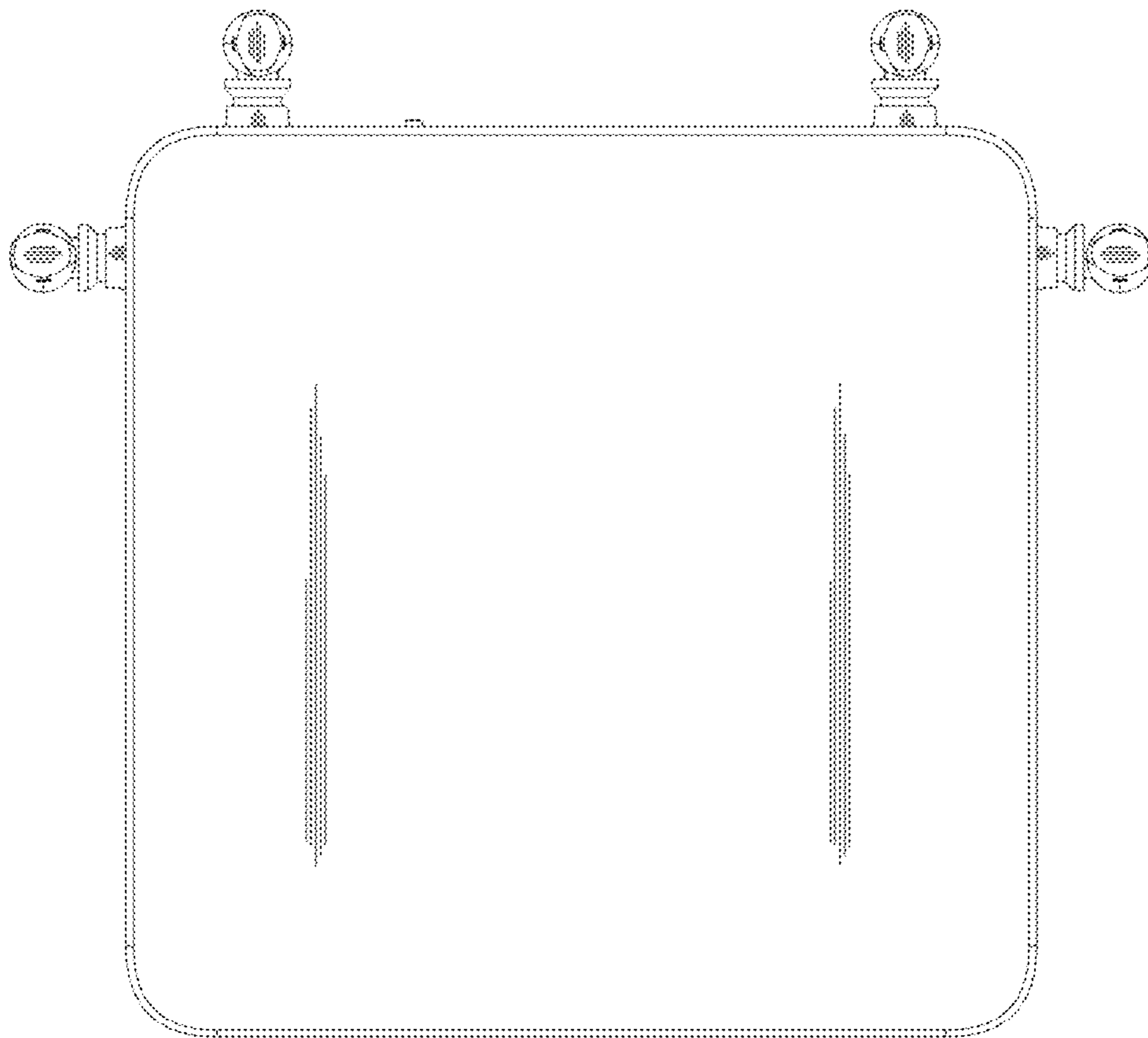


FIG. 3

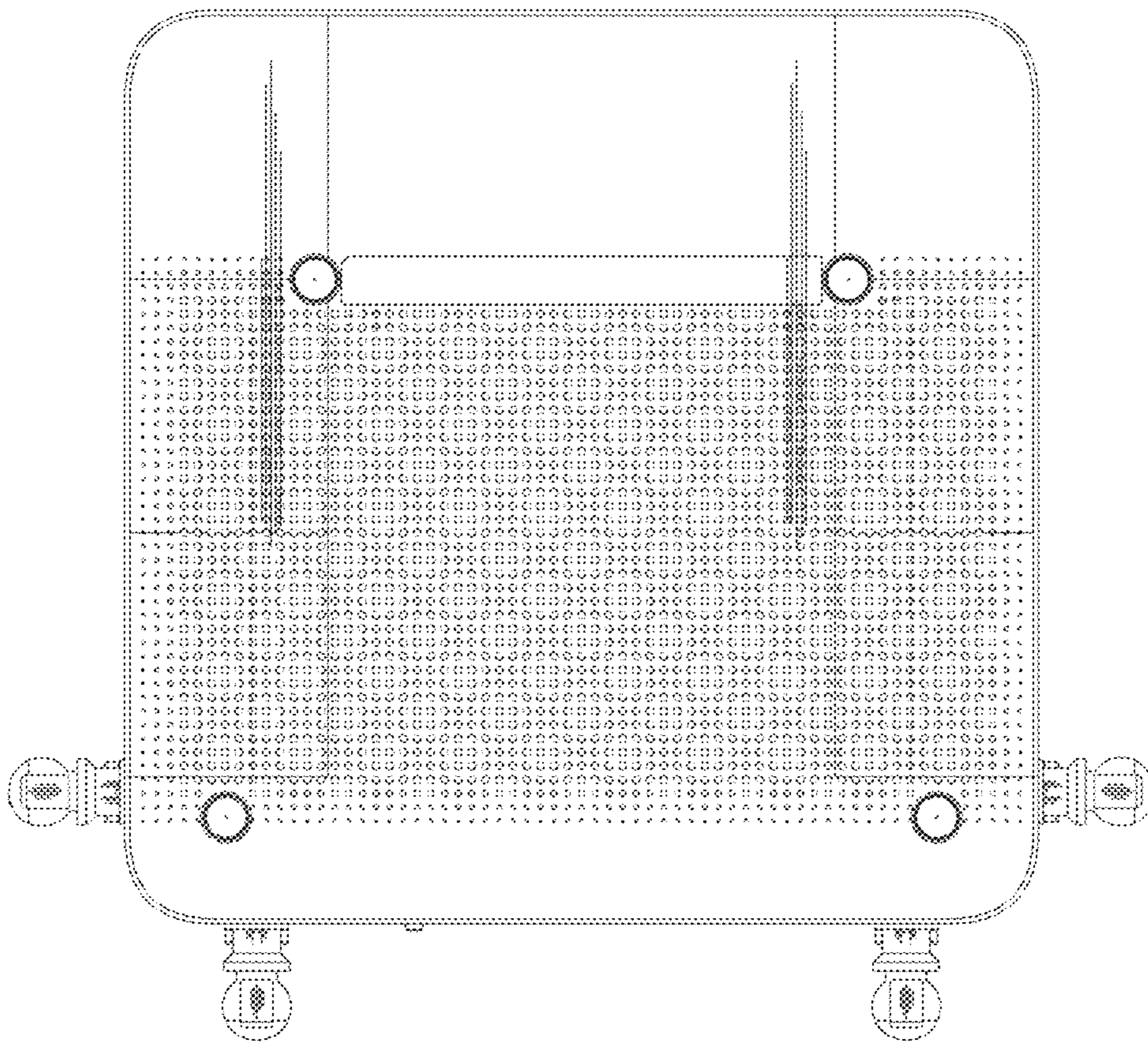


FIG. 4

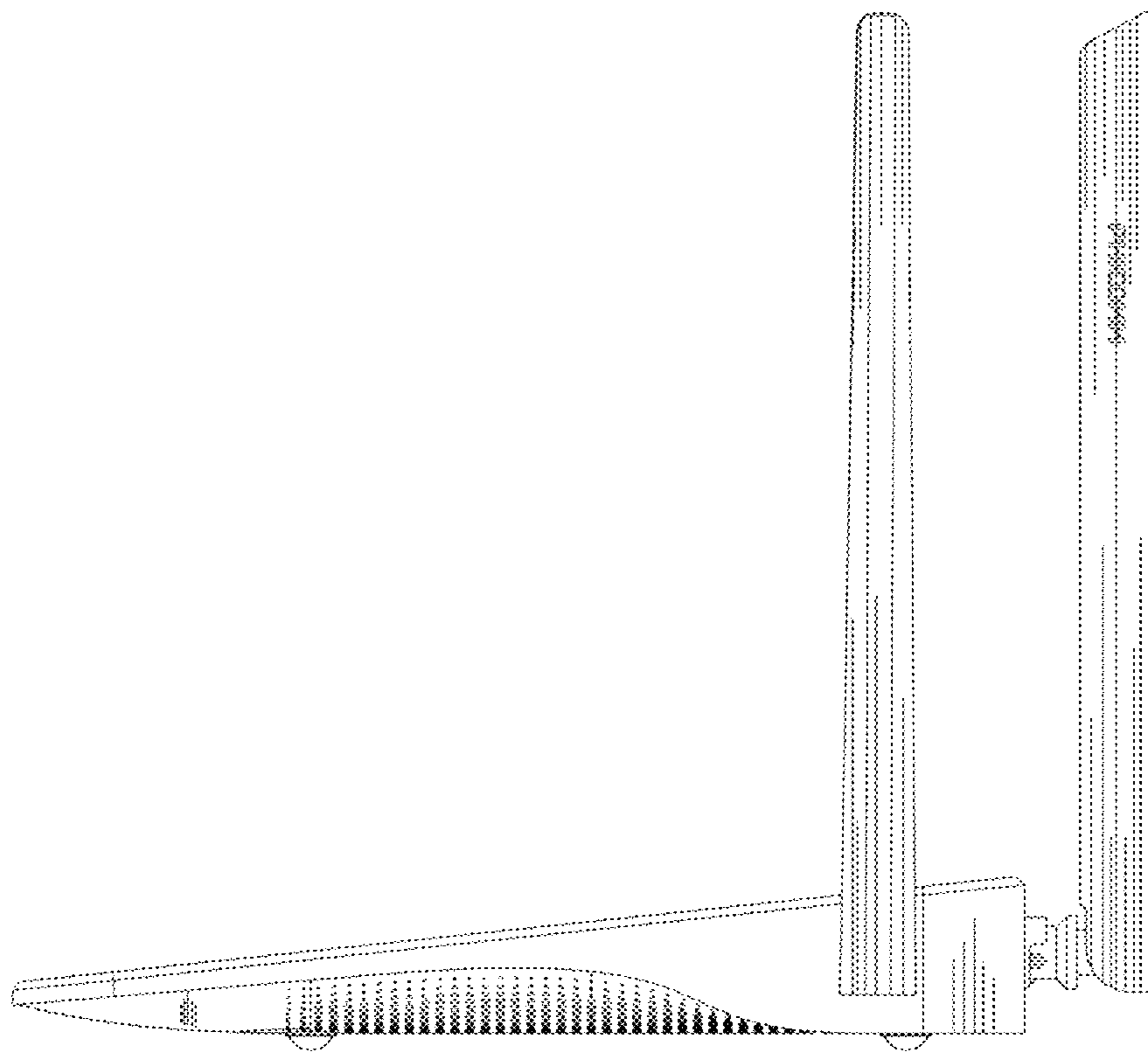


FIG. 5

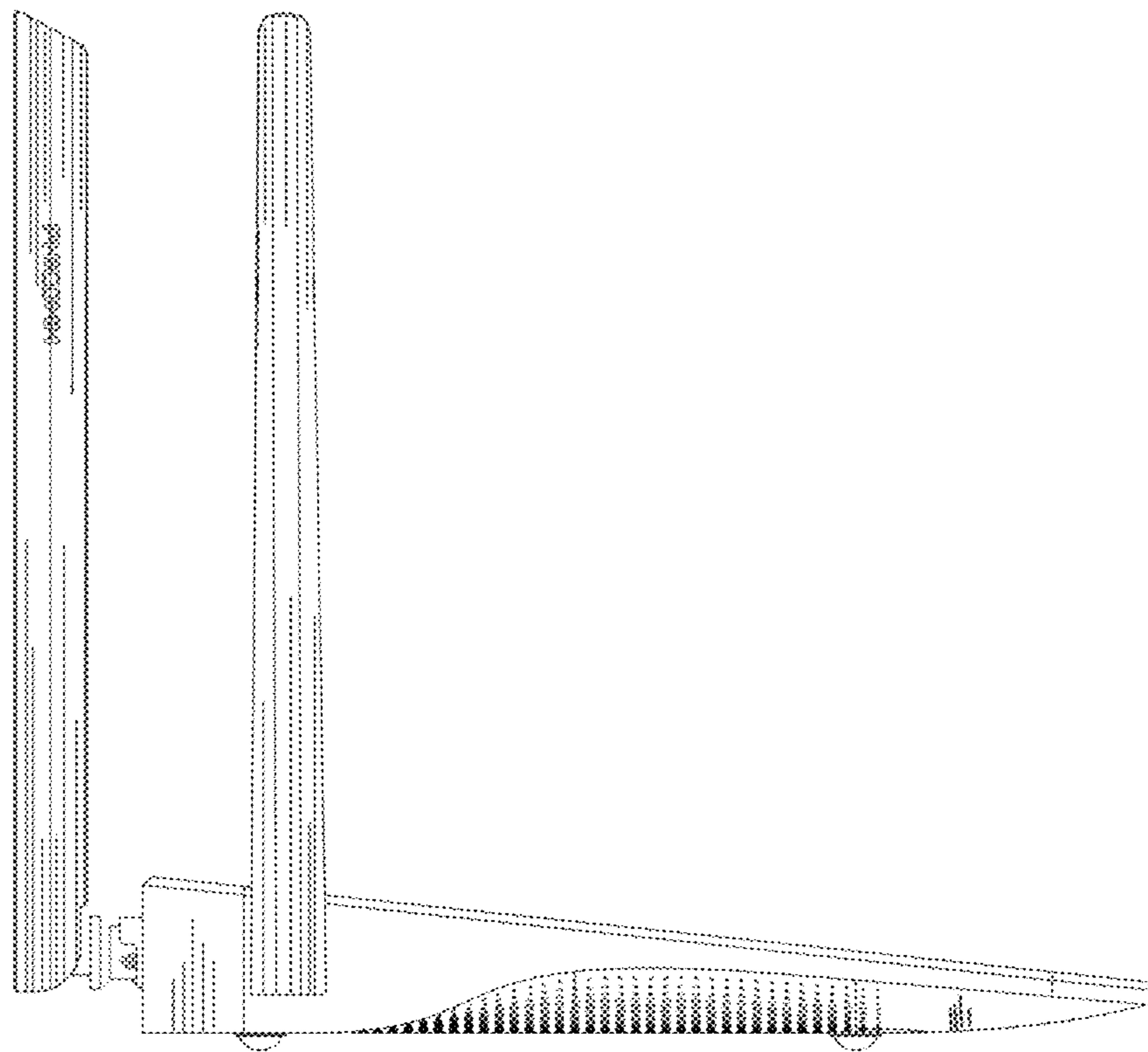


FIG. 6

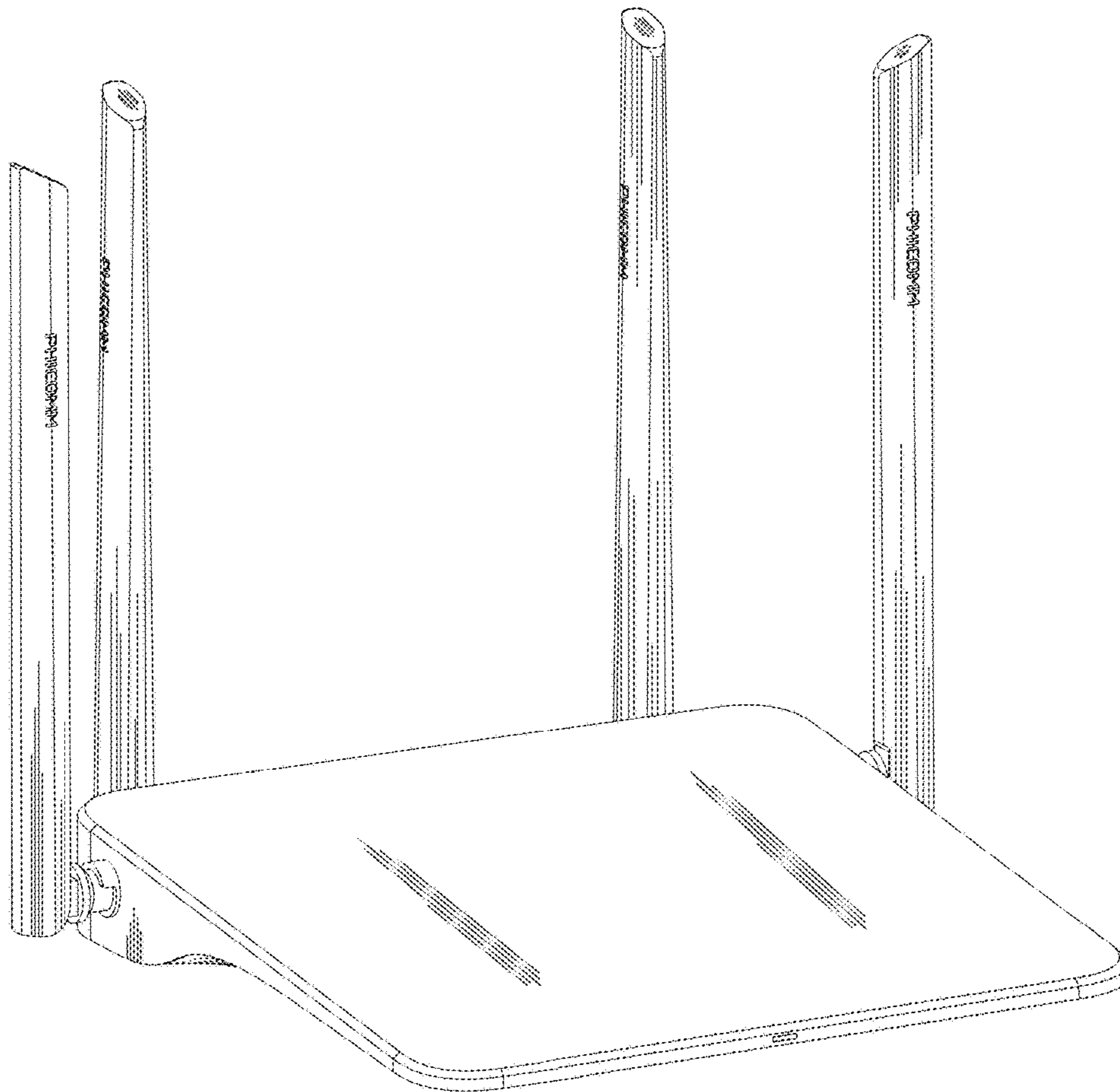


FIG. 7

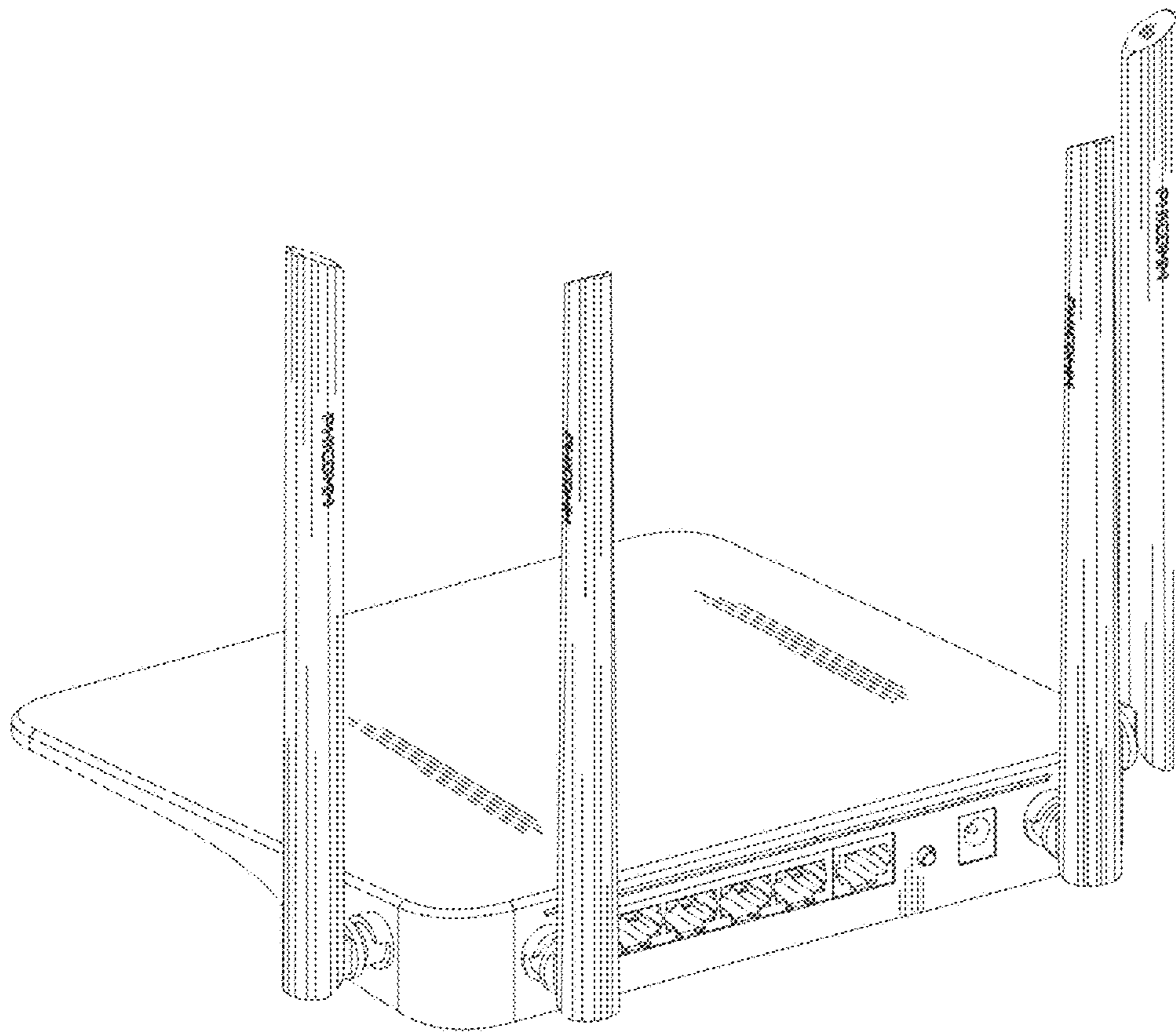


FIG. 8