



US00D817933S

(12) **United States Design Patent**
Liu et al.

(10) **Patent No.:** **US D817,933 S**
(45) **Date of Patent:** **** May 15, 2018**

(54) **EARPHONE**

(71) Applicants: **1MORE INC.**, Shenzhen, Guangdong (CN); **BEIJING XIAOMI MOBILE SOFTWARE CO., LTD.**, Beijing (CN)

(72) Inventors: **Hang Liu**, Guangdong (CN); **Shichen Xu**, Guangdong (CN); **Yonghui Hu**, Guangdong (CN); **Tianlei Wang**, Guangdong (CN)

(73) Assignees: **1MORE INC.**, Shenzhen, Guangdong (CN); **BEIJING XIAOMI MOBILE SOFTWARE CO., LTD.**, Beijing (CN)

(**) Term: **15 Years**

(21) Appl. No.: **29/597,031**

(22) Filed: **Mar. 14, 2017**

(30) **Foreign Application Priority Data**

Oct. 10, 2016 (CN) 2016 3 0497603

(51) **LOC (11) Cl.** **14-01**

(52) **U.S. Cl.**
USPC **D14/223**

(58) **Field of Classification Search**
USPC D14/223, 205; 181/129, 130, 135; 379/430, 431; 381/380, 381, 370, 374, 381/328, 384; 455/90.3, 575.1, 569.1
CPC H04R 1/10; H04R 25/00; H04R 25/02; H04R 1/1066; H04R 1/1016; H04R 1/105; H04R 1/1058; H04R 5/0335; H04R 5/033
See application file for complete search history.

(56) **References Cited**

U.S. PATENT DOCUMENTS

4,588,867 A * 5/1986 Konomi H04R 1/46
379/430
4,972,492 A * 11/1990 Tanaka H04R 1/1016
181/130

D431,553 S * 10/2000 Suzuki D14/223
6,574,345 B1 * 6/2003 Huang H04R 1/1016
379/430
D539,268 S * 3/2007 Suzuki D14/206
D554,627 S * 11/2007 Gondo D14/223
D566,099 S * 4/2008 Komiyama D14/206
D567,217 S * 4/2008 Kamo D14/205
D572,703 S * 7/2008 Ledbetter D14/205
D574,361 S * 8/2008 Sasaki D14/205
D587,685 S * 3/2009 Densho D14/206
D589,493 S * 3/2009 Densho D14/206
D598,894 S * 8/2009 Masuda D14/205
D605,182 S * 12/2009 Fagnot D14/223
D623,630 S * 9/2010 Ohori D14/223
D627,764 S * 11/2010 Tsai D14/223
D628,564 S * 12/2010 Chong D14/223
D629,395 S * 12/2010 Lee D14/223
D633,086 S * 2/2011 Chen D14/223
D637,181 S * 5/2011 Fuller D14/223
D639,282 S * 6/2011 Ohori D14/223

(Continued)

Primary Examiner — Paula Allen Greene

(74) *Attorney, Agent, or Firm* — Ladas & Parry LLP

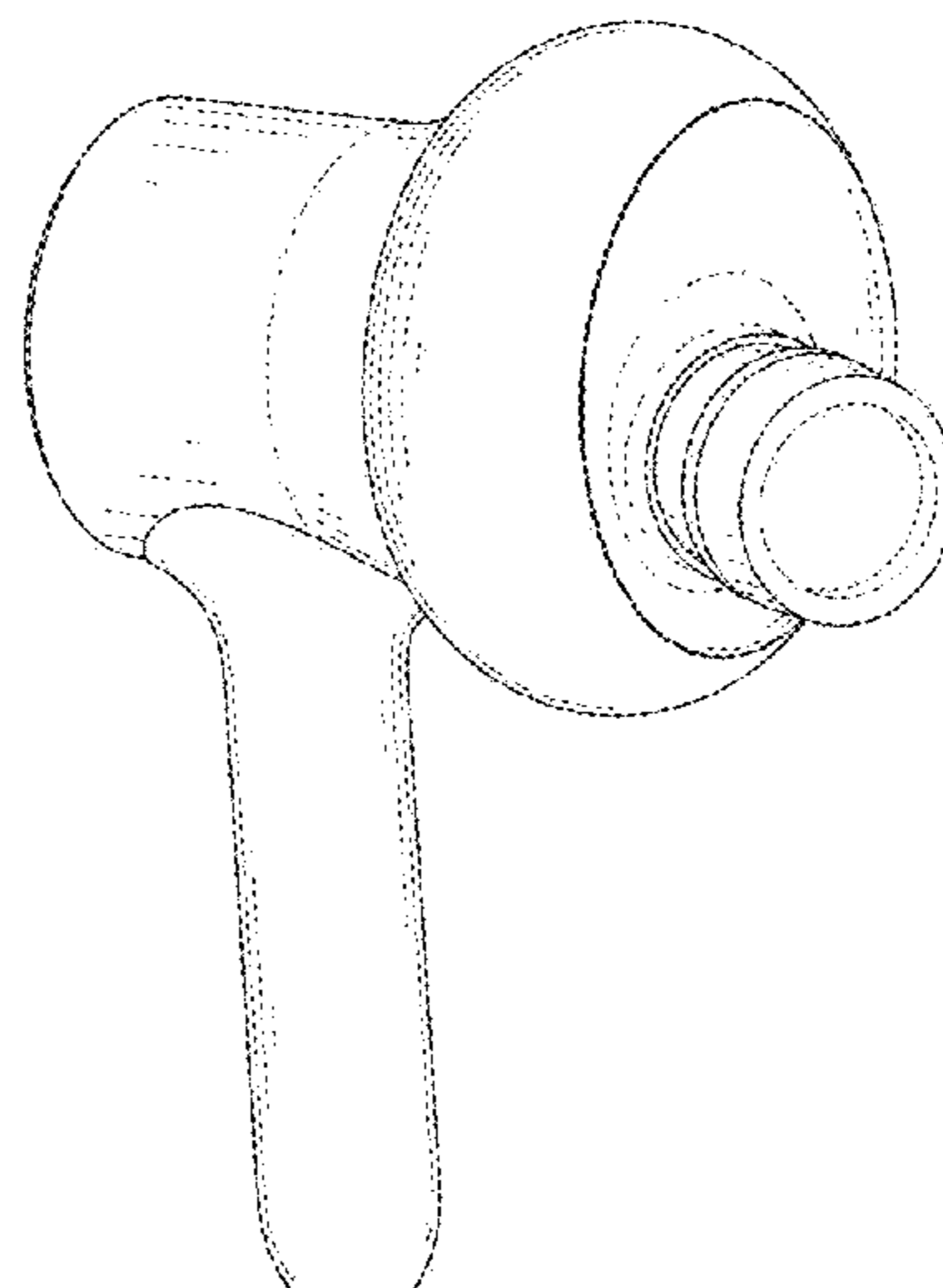
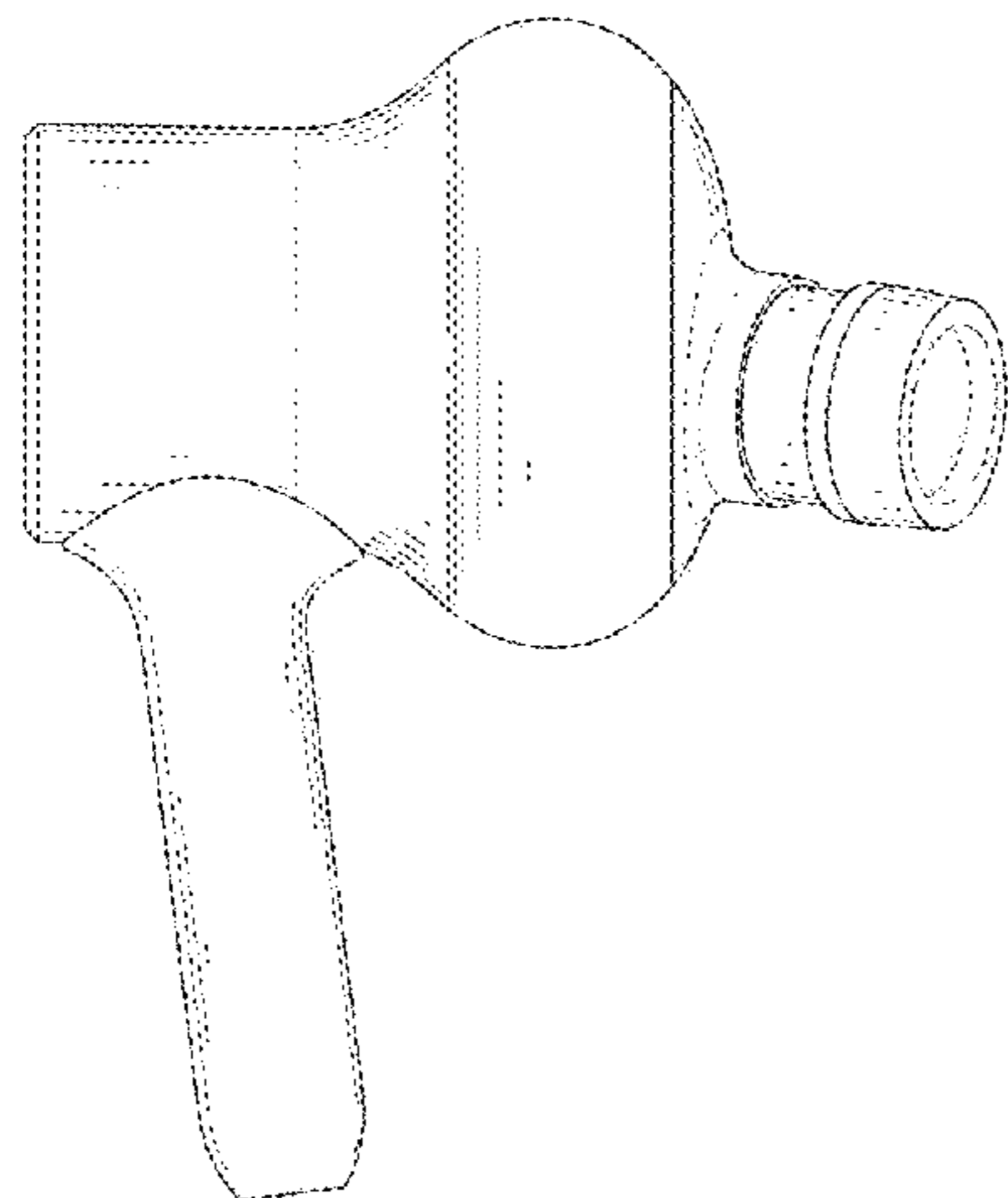
(57) **CLAIM**

The ornamental design for an earphone, as shown and described.

DESCRIPTION

FIG. 1 is a front elevational view of an earphone showing our new design;
FIG. 2 is a rear elevational view thereof;
FIG. 3 is a left side elevational view thereof;
FIG. 4 is a right side elevational view thereof;
FIG. 5 is a top plan view thereof;
FIG. 6 is a bottom plan view thereof;
FIG. 7 is a perspective view thereof; and,
FIG. 8 is another perspective view thereof.
The broken lines form no part of the claimed design.

1 Claim, 8 Drawing Sheets



(56)

References Cited

U.S. PATENT DOCUMENTS

D660,290	S *	5/2012	Weedon	D14/223
D678,251	S *	3/2013	Cantoni	D14/223
D679,267	S *	4/2013	Lee	D14/223
D680,102	S *	4/2013	Chen	D14/223
8,422,717	B2 *	4/2013	Lin	H04R 1/1091 181/129
8,712,087	B2 *	4/2014	Ozawa	H04R 1/345 181/130
D710,334	S *	8/2014	Yang	D14/223
D729,775	S *	5/2015	Seo	D14/205
D732,508	S *	6/2015	Funayama	D14/223
D733,101	S *	6/2015	Pi	D14/223
D733,689	S *	7/2015	Narita	D14/223
D735,697	S *	8/2015	Petersen	D14/223
D738,864	S *	9/2015	Lee	D14/223
D746,268	S *	12/2015	Karayiannis	D14/223
D757,682	S *	5/2016	Perez	D14/205
D772,844	S *	11/2016	Ott	D14/205
D775,108	S *	12/2016	Hsieh	D14/223
D780,155	S *	2/2017	Levine	D14/205
D798,844	S *	10/2017	Nokuo	D14/223
2011/0142276	A1 *	6/2011	Uchida	H04R 1/1075 381/370
2012/0057738	A1 *	3/2012	Lin	H04R 1/1091 381/370
2012/0155692	A1 *	6/2012	Chen	H04R 1/1058 381/380
2013/0170692	A1 *	7/2013	Kaneko	H04R 1/1016 381/380

* cited by examiner

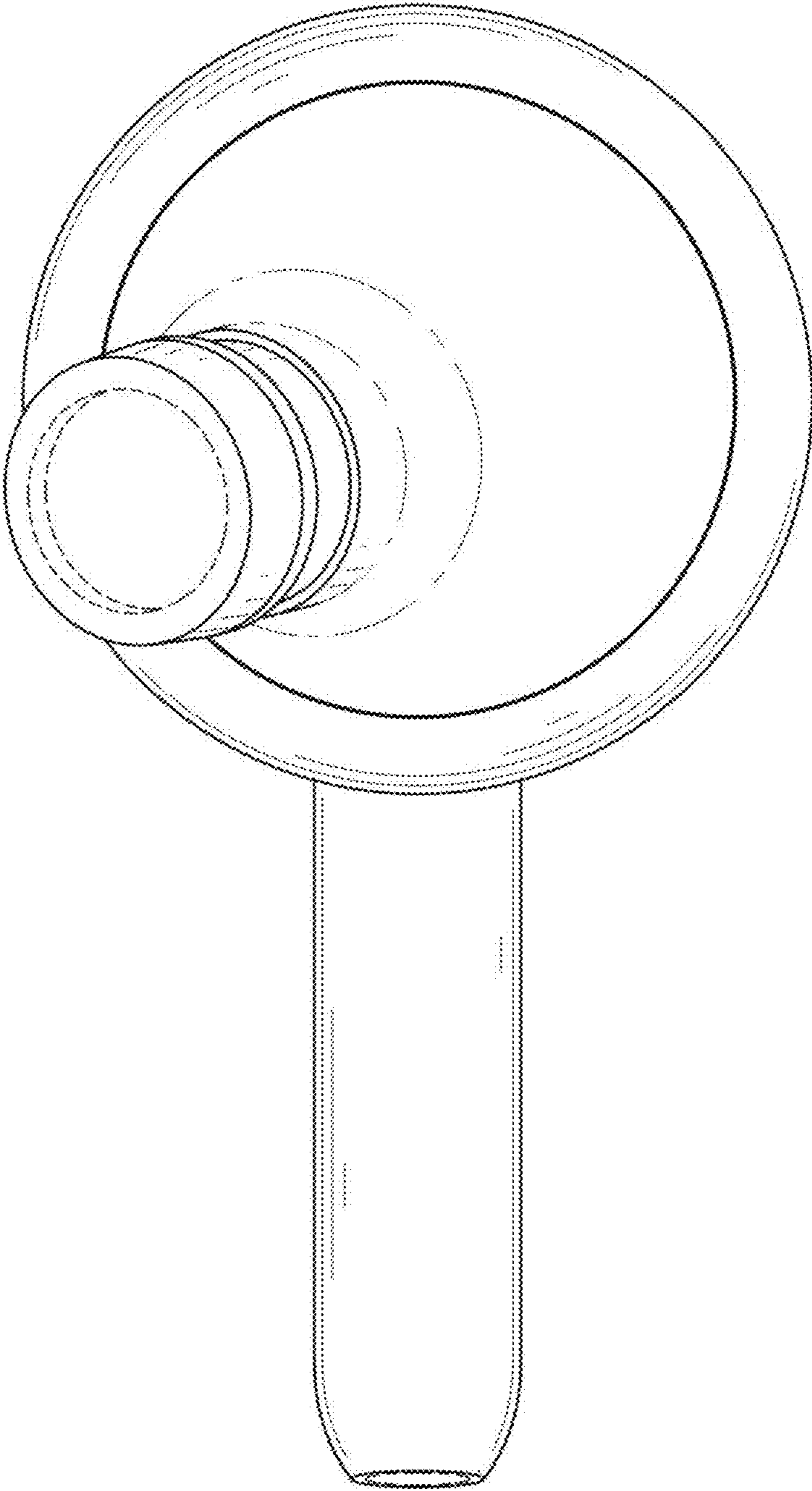


FIG. 1

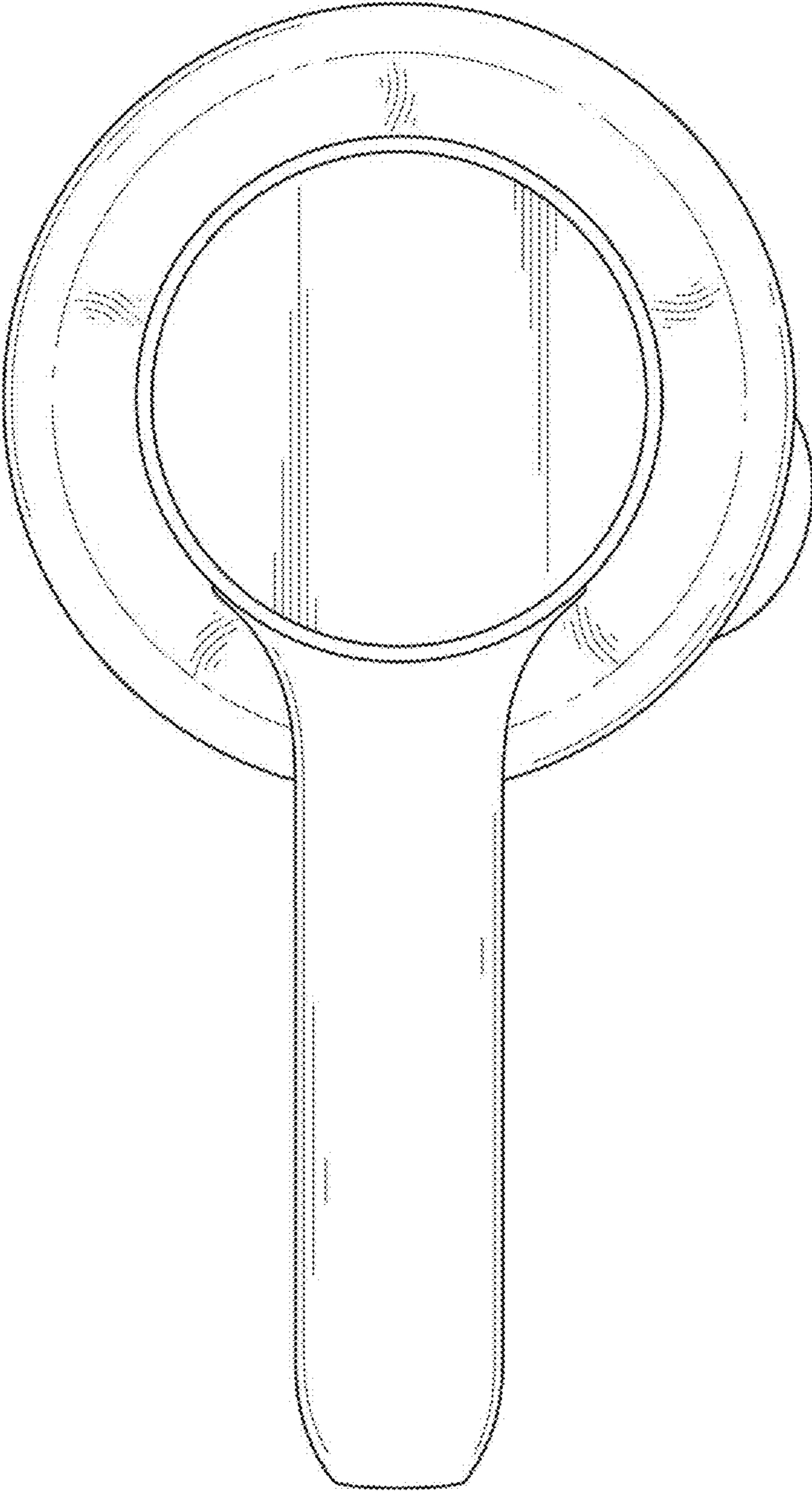


FIG. 2

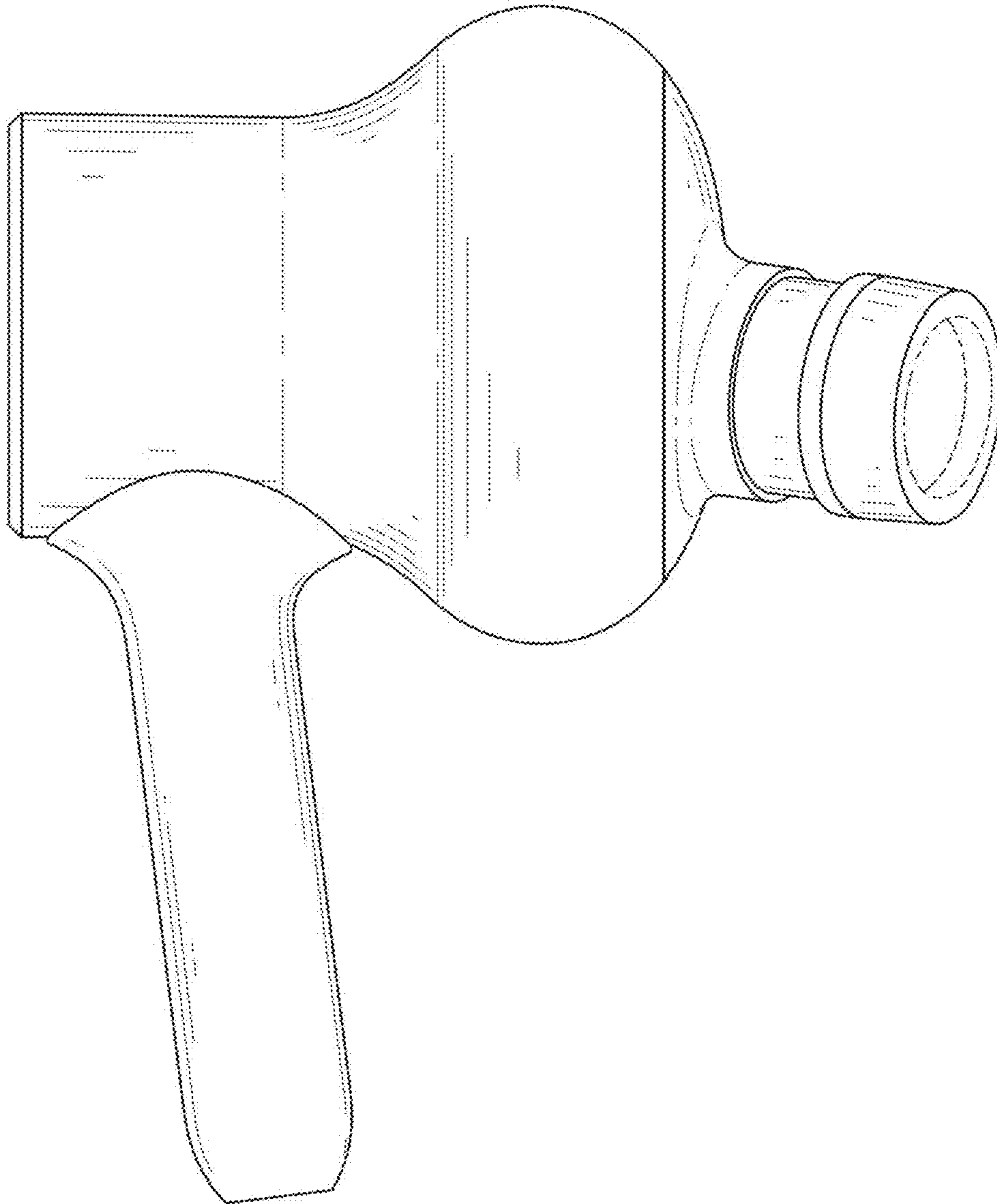


FIG. 3

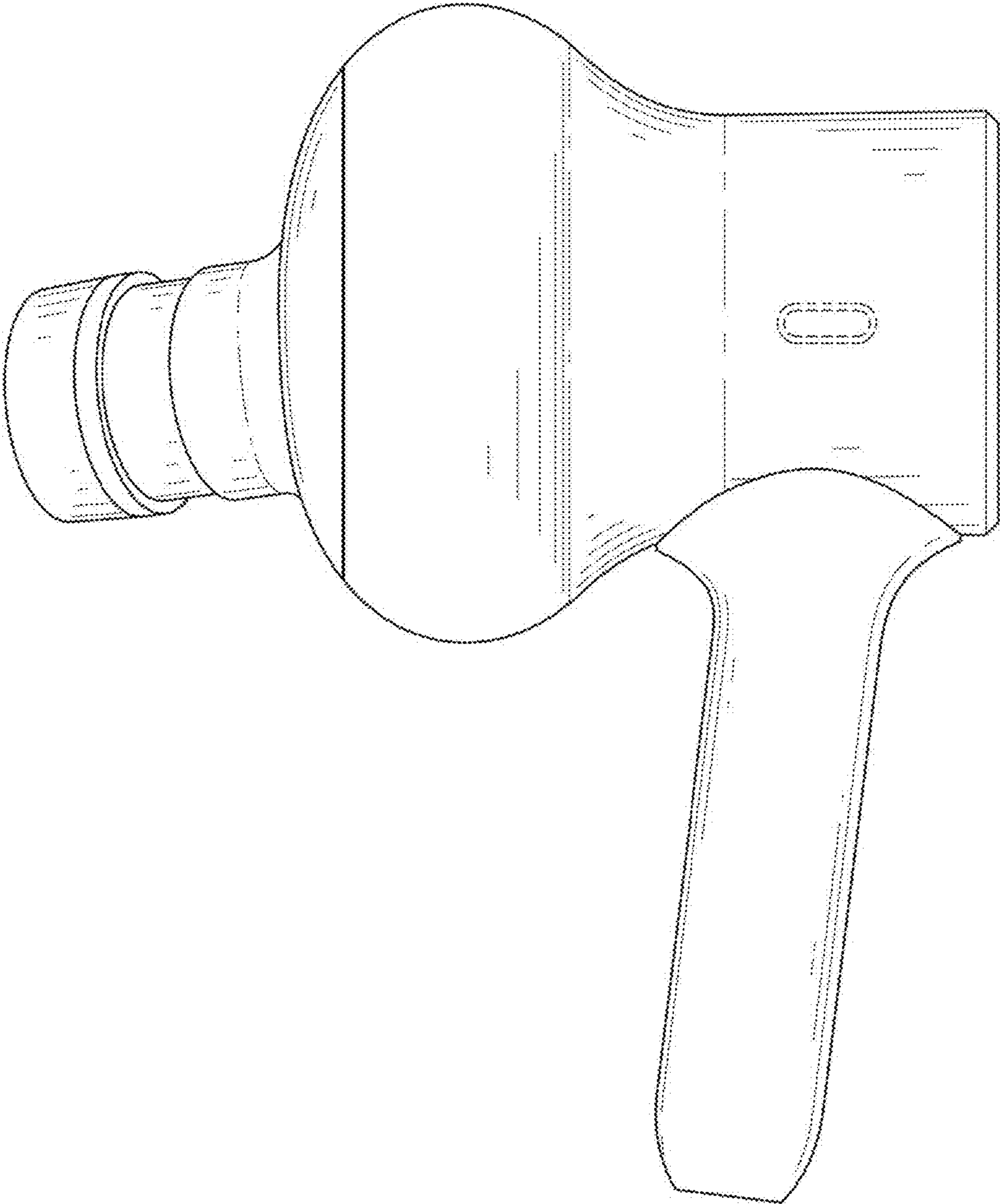


FIG. 4

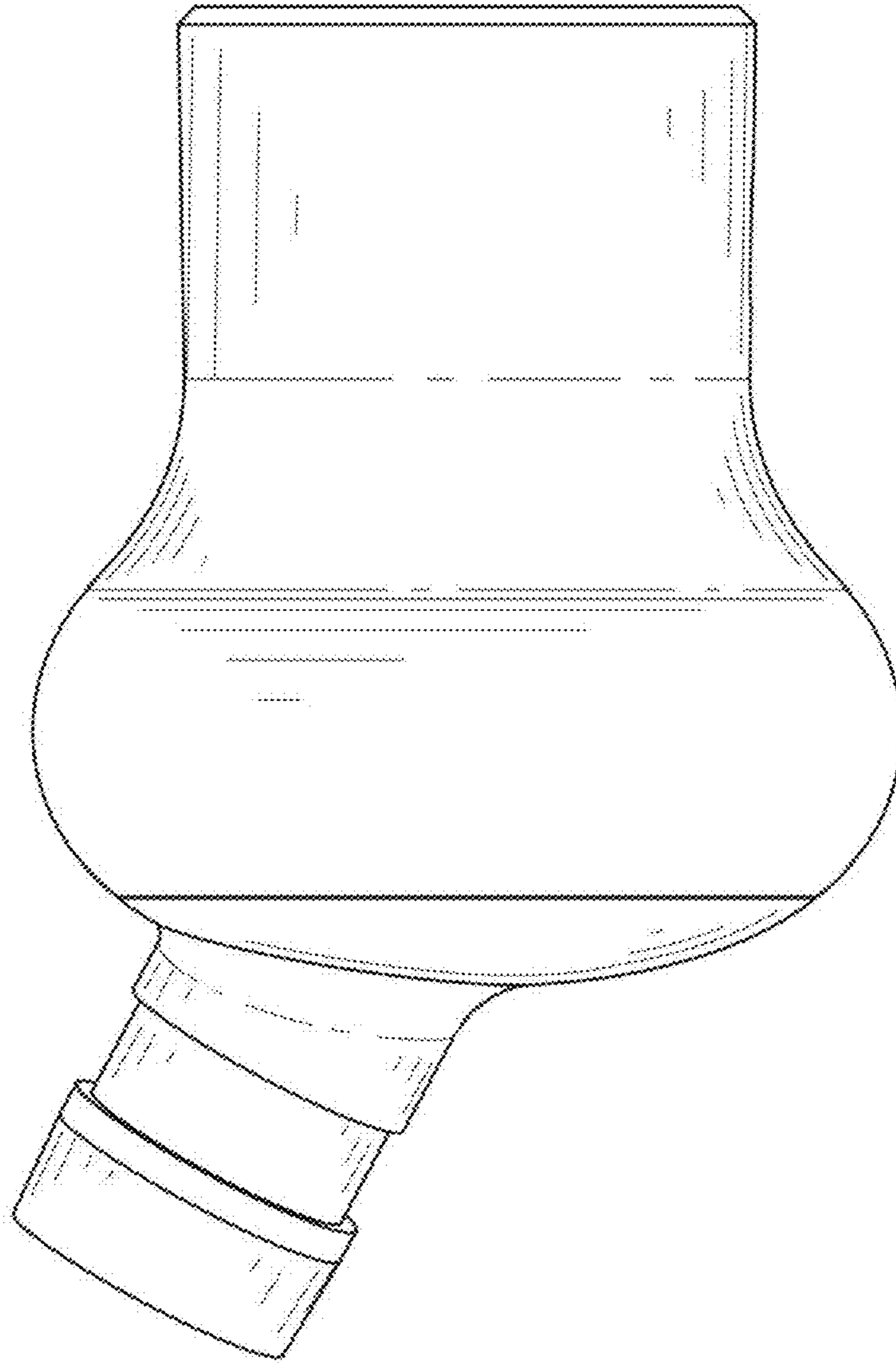


FIG. 5

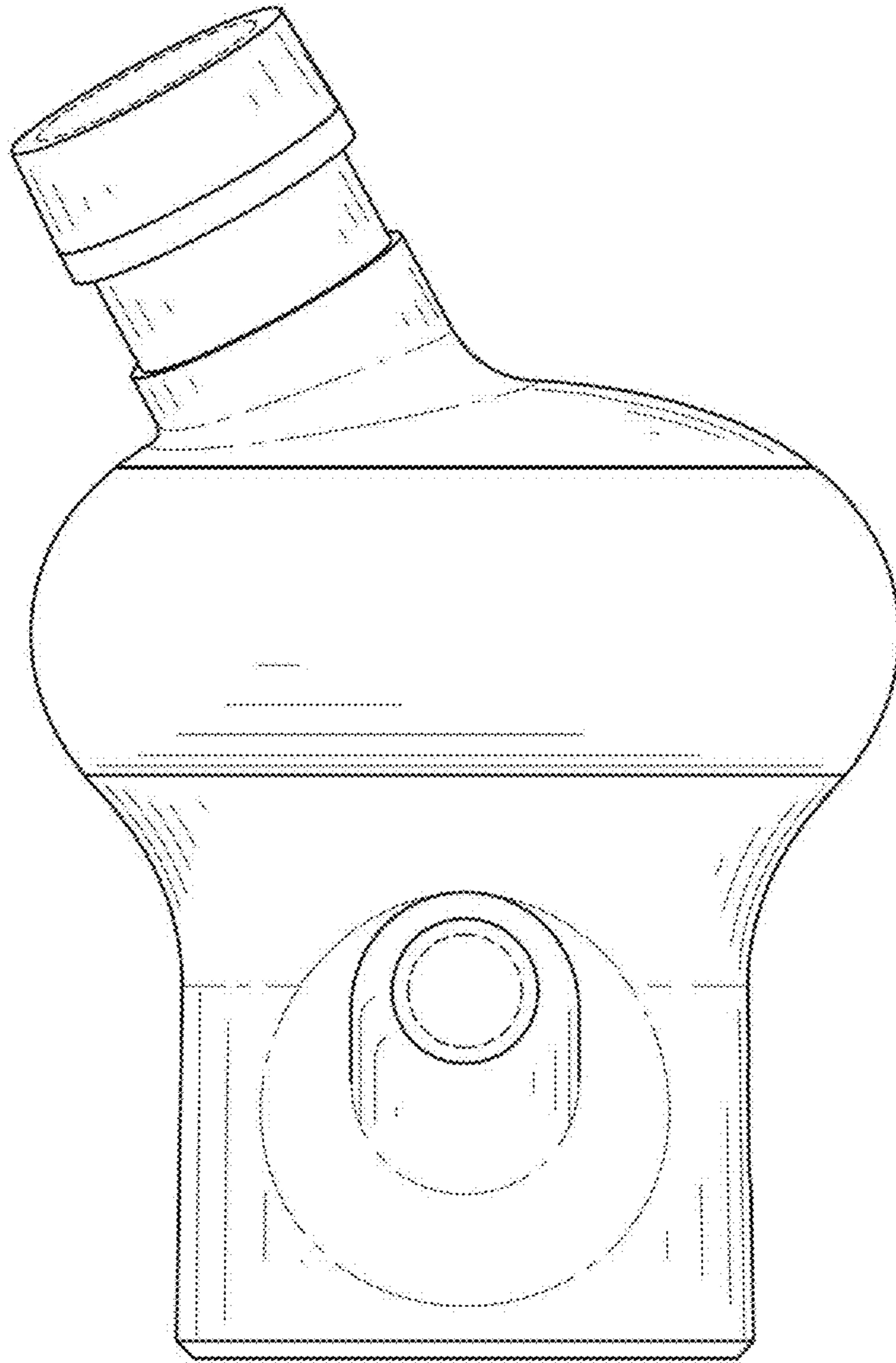


FIG. 6

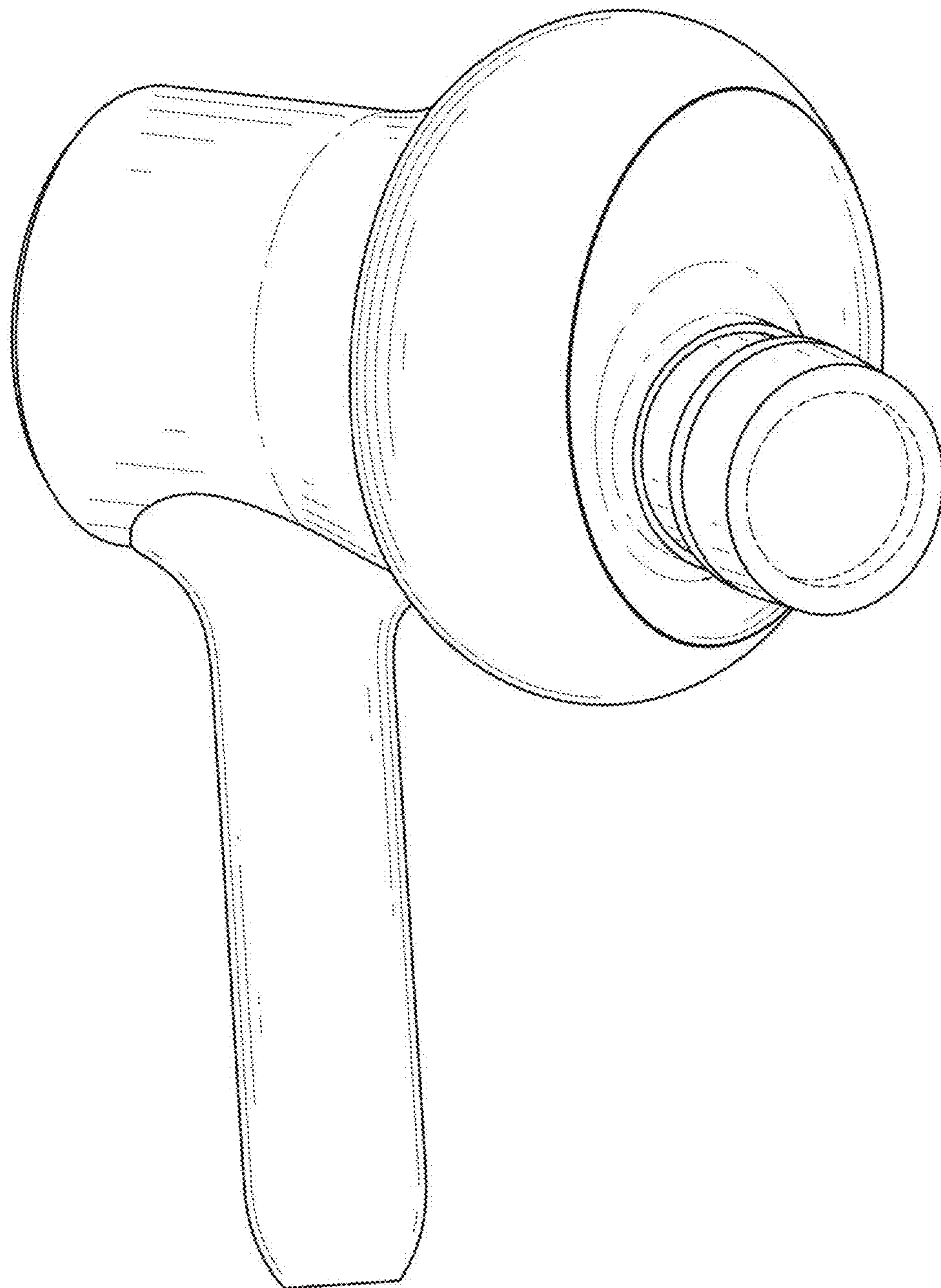


FIG. 7

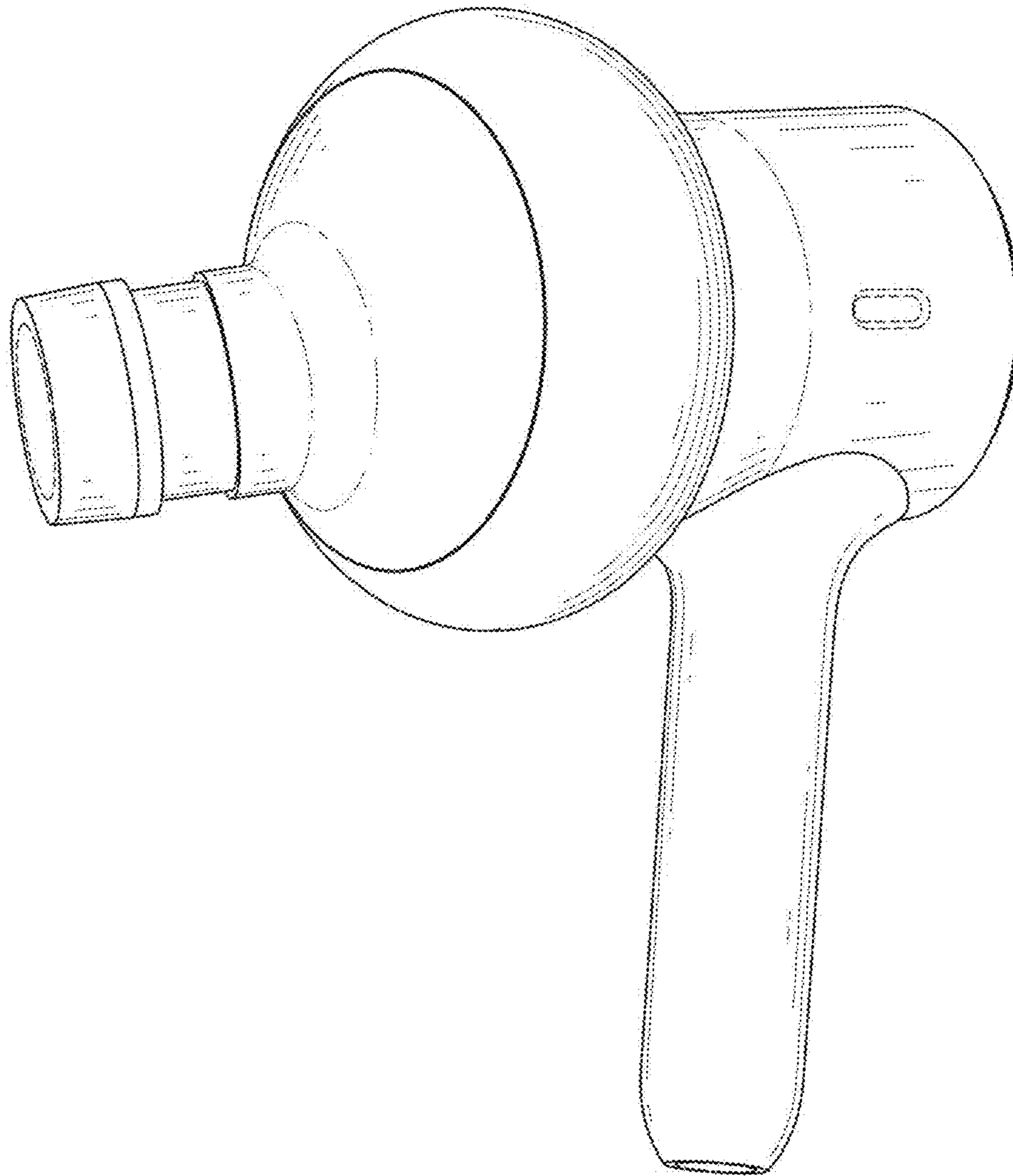


FIG. 8