



US00D817932S

(12) **United States Design Patent**
Hsieh et al.

(10) **Patent No.:** **US D817,932 S**

(45) **Date of Patent:** **** May 15, 2018**

(54) **EARPHONE**

(71) Applicant: **1MORE INC.**, Shenzhen, Guangdong (CN)

(72) Inventors: **Kuan-Hong Hsieh**, Guangdong (CN);
Shichen Xu, Guangdong (CN);
Yonghui Hu, Guangdong (CN)

(73) Assignee: **1MORE INC.**, Shenzhen (CN)

(**) Term: **15 Years**

(21) Appl. No.: **29/593,776**

(22) Filed: **Feb. 13, 2017**

(30) **Foreign Application Priority Data**

Aug. 31, 2016 (CN) 2016 3 0460061

(51) **LOC (11) Cl.** **14-01**

(52) **U.S. Cl.**
USPC **D14/223; D14/205**

(58) **Field of Classification Search**
USPC D14/223, 205; D24/173, 174; 181/129,
181/130, 135; 379/430, 431; 381/380,
381/381, 374, 325, 322, 363, 328, 324,
381/329; 455/90.3, 569.1, 575.1;
D25/48.8; D12/203; 428/131
CPC H04R 25/00; H04R 1/10; H04R 1/1033;
H04R 5/0335; H04R 5/033; H04R
1/1016; H04R 1/1066
See application file for complete search history.

(56) **References Cited**

U.S. PATENT DOCUMENTS

4,720,857 A * 1/1988 Burris H04M 1/05
379/430
5,023,955 A * 6/1991 Murphy, II A61F 11/14
181/129

5,363,444 A * 11/1994 Norris H04M 1/05
379/430
5,373,555 A * 12/1994 Norris H04M 1/05
379/430
5,410,608 A * 4/1995 Lucey H04R 1/083
381/360
D463,789 S * 10/2002 DeKalb D14/223
6,660,362 B1 * 12/2003 Lindsay D21F 11/006
162/902
6,704,429 B2 * 3/2004 Lin H04R 1/1016
181/130
D510,337 S * 10/2005 Tages D14/205
D514,552 S * 2/2006 Lee D14/205
D519,109 S * 4/2006 Perszyk D14/223
7,289,640 B2 * 10/2007 Tsai H04M 1/05
379/430
D587,685 S * 3/2009 Densho D14/206
D589,151 S * 3/2009 Sabio D24/174
D589,493 S * 3/2009 Densho D14/206
D590,735 S * 4/2009 Rogers D10/126
D628,564 S * 12/2010 Chong D14/223
D642,163 S * 7/2011 Lee D14/223

(Continued)

Primary Examiner — Paula Allen Greene

(74) *Attorney, Agent, or Firm* — Ladas & Parry LLP

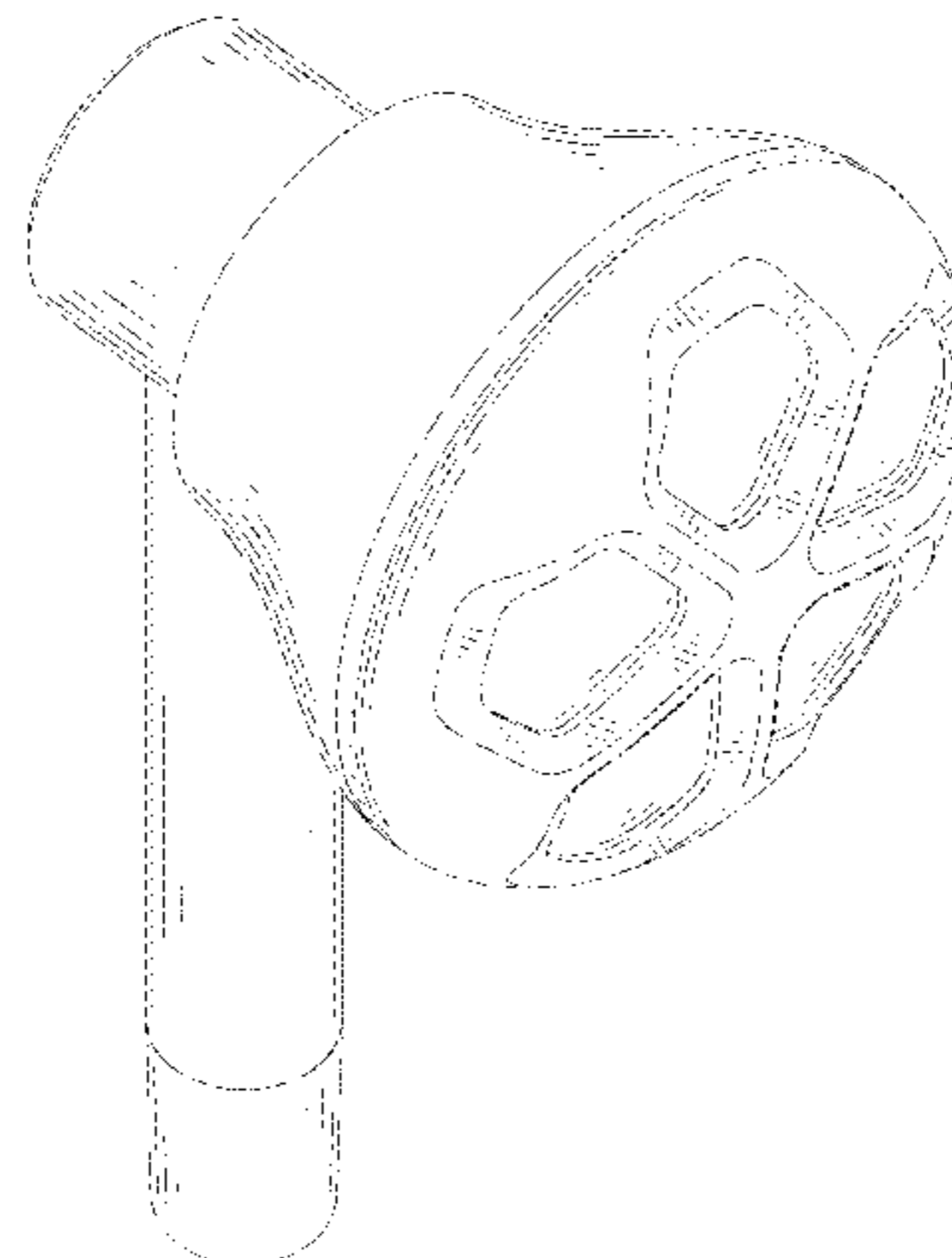
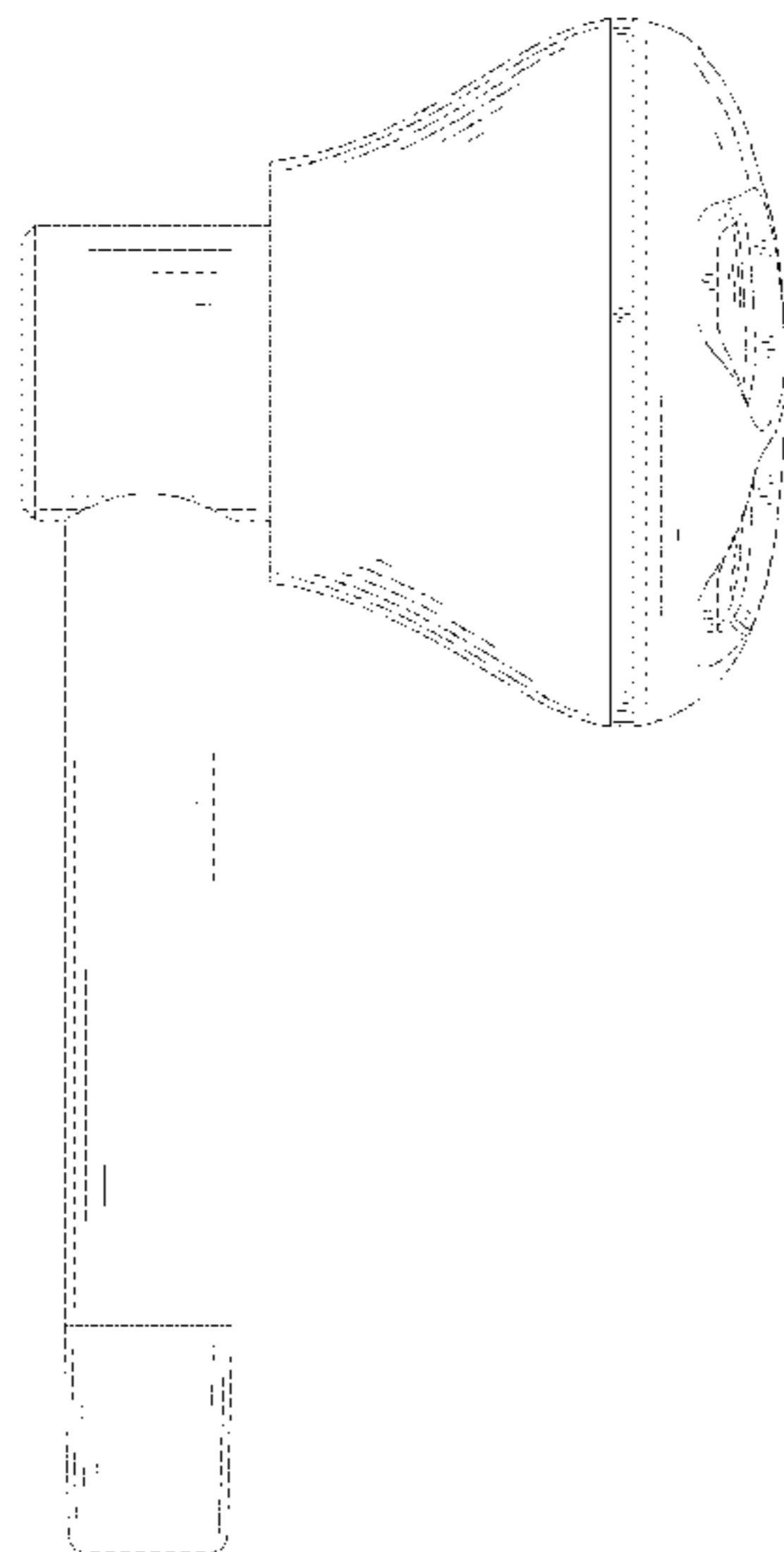
(57) **CLAIM**

The ornamental design for an earphone, as shown and described.

DESCRIPTION

FIG. 1 is a front elevational view of an earphone showing our new design;
FIG. 2 is a rear elevational view thereof;
FIG. 3 is a left side elevational view thereof;
FIG. 4 is a right side elevational view thereof;
FIG. 5 is a top plan view thereof;
FIG. 6 is a bottom plan view thereof;
FIG. 7 is a perspective view thereof; and,
FIG. 8 is another perspective view thereof.
The broken lines form no part of the claimed design.

1 Claim, 8 Drawing Sheets



(56)

References Cited

U.S. PATENT DOCUMENTS

D643,416 S * 8/2011 Chong D14/223
8,270,915 B2 * 9/2012 Sanford H01Q 1/243
343/904
D668,637 S * 10/2012 Kitayama D14/223
D668,650 S * 10/2012 Han D14/138 G
D674,491 S * 1/2013 Bailey D24/174
8,391,536 B2 * 3/2013 Hashimoto H04R 1/1016
381/370
D680,102 S * 4/2013 Chen D14/223
8,422,717 B2 * 4/2013 Lin H04R 1/1091
181/129
D684,952 S * 6/2013 Iijima D14/223
D695,724 S * 12/2013 Ishikura D14/223
D718,286 S * 11/2014 Yang D14/223
D726,145 S * 4/2015 Hsieh D14/205
D746,268 S * 12/2015 Karayiannis D14/223
D746,792 S * 1/2016 Kim D14/205
D760,202 S * 6/2016 Hsieh D14/223
D775,108 S * 12/2016 Hsieh D14/223
D778,268 S * 2/2017 Hsieh D14/223
D784,962 S * 4/2017 Yang D14/223
D804,455 S * 12/2017 Hsieh D14/223
2012/0014548 A1 * 1/2012 van Halteren H04R 25/60
381/325

* cited by examiner

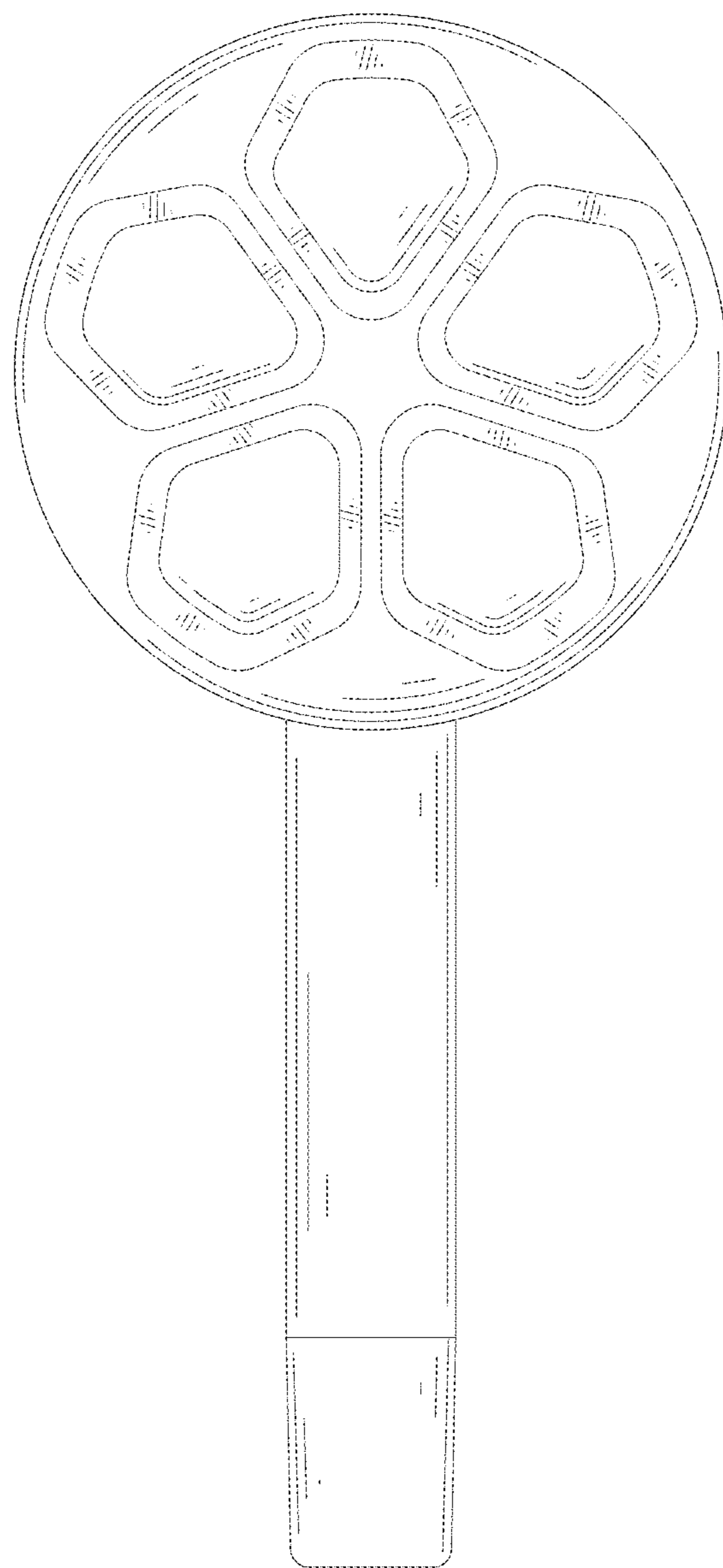


FIG. 1

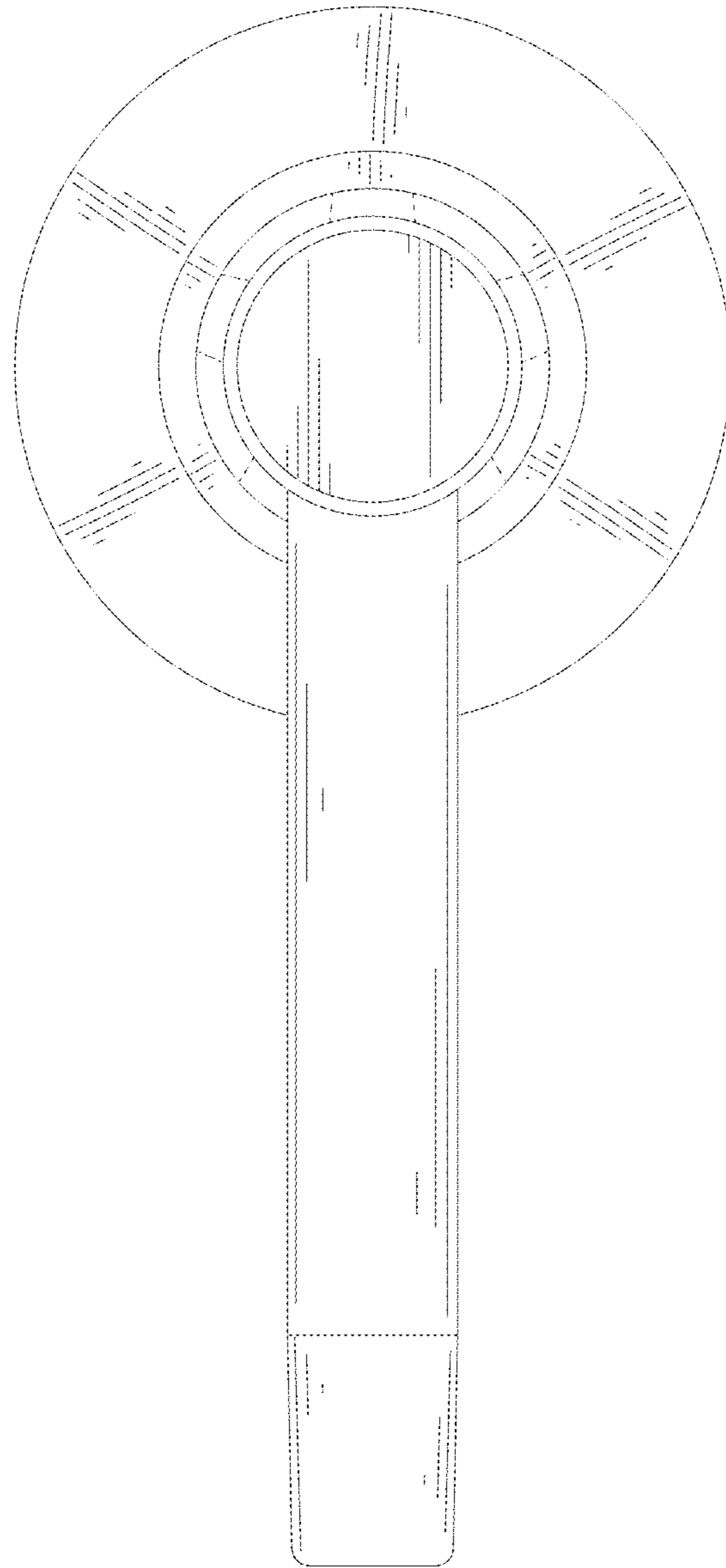


FIG. 2

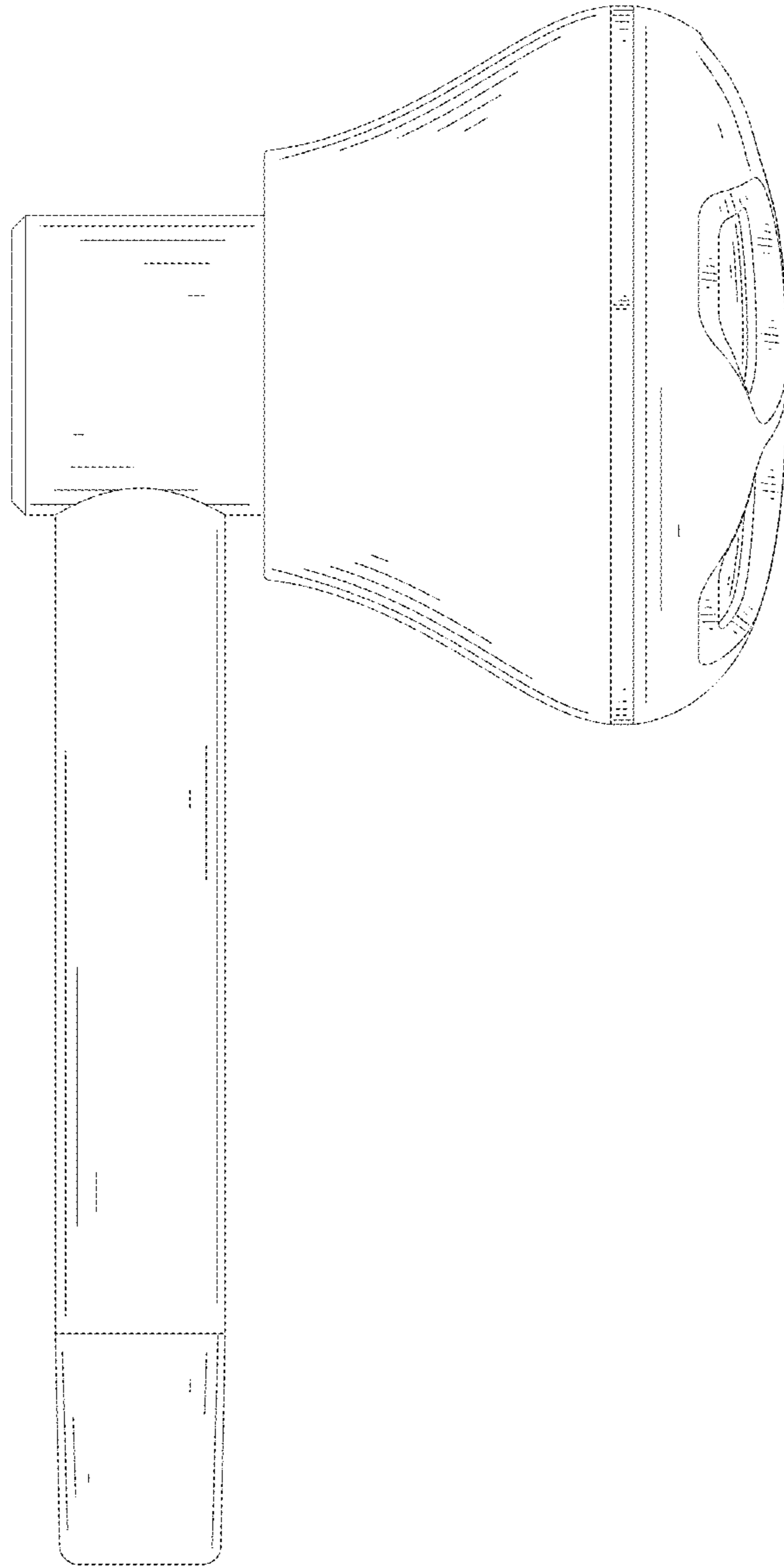


FIG. 3

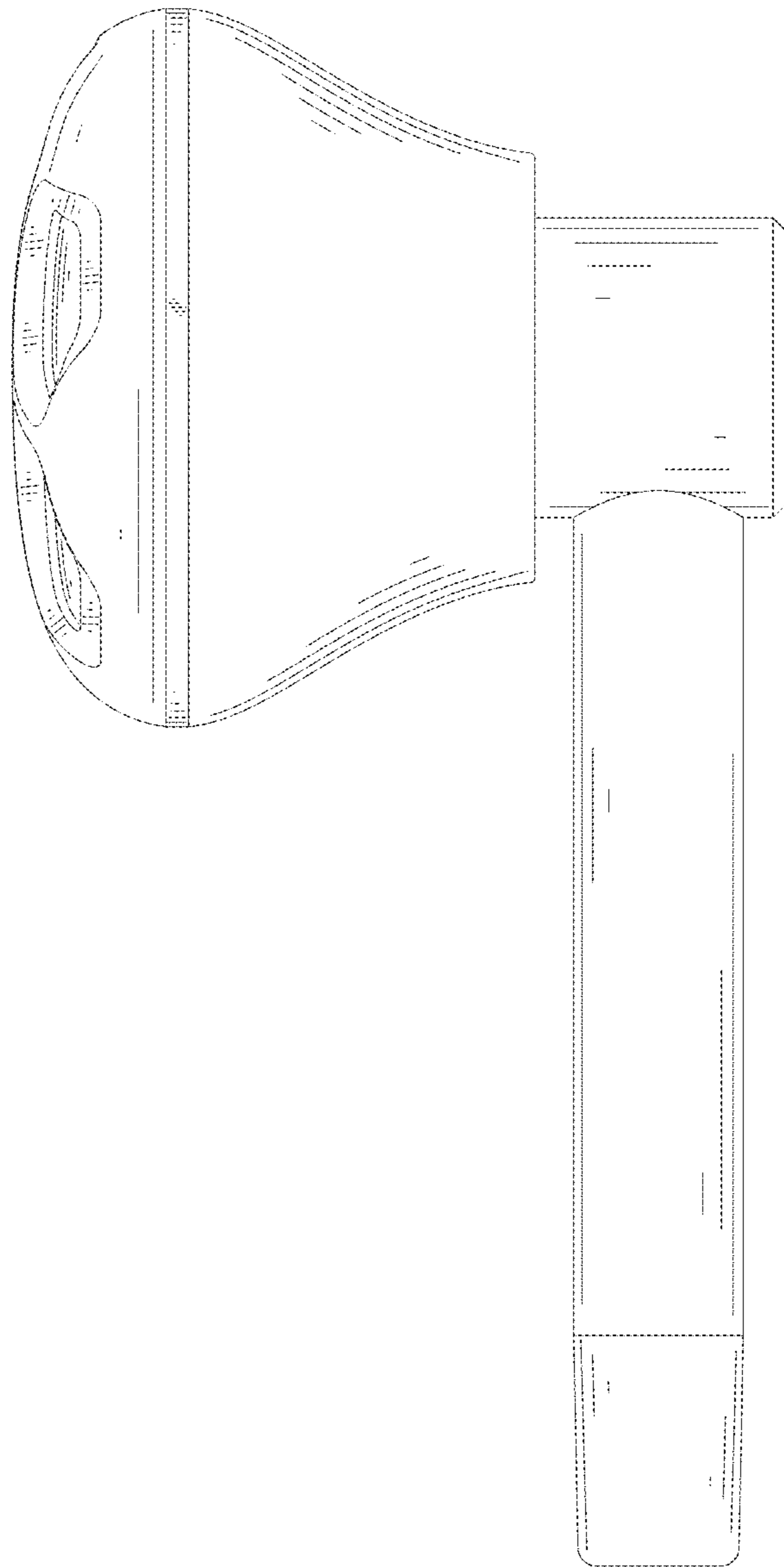


FIG. 4

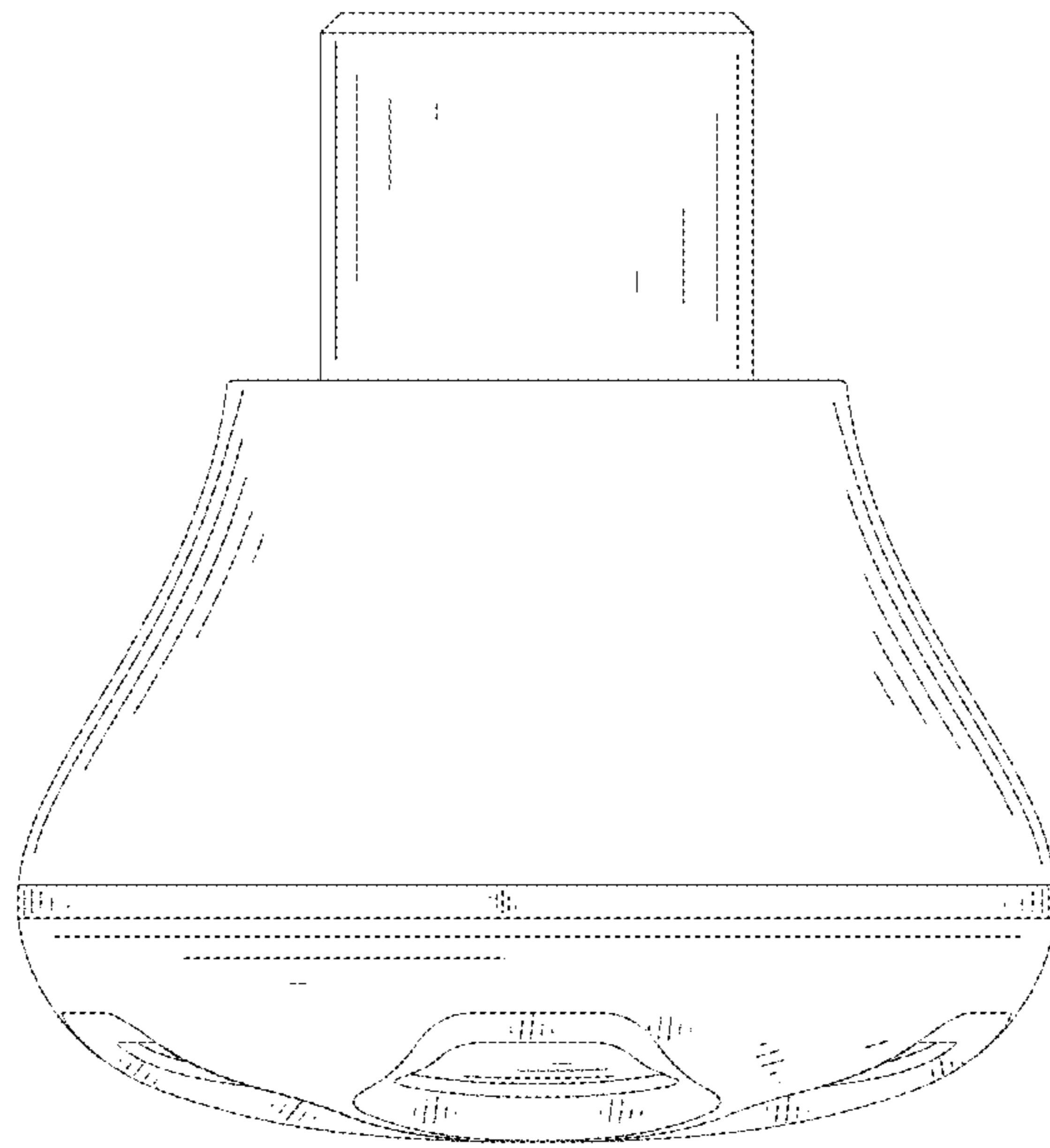


FIG. 5

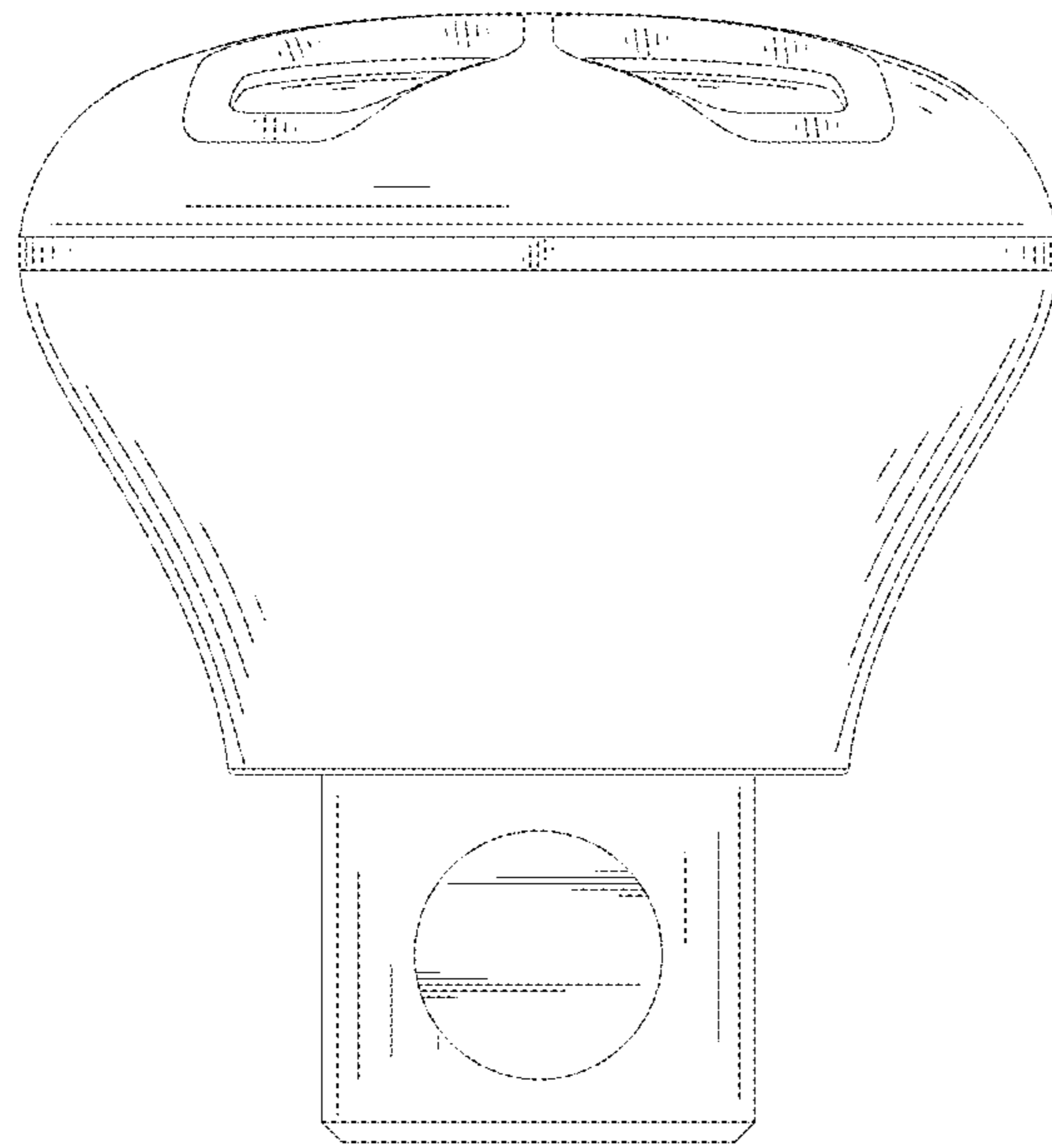


FIG. 6

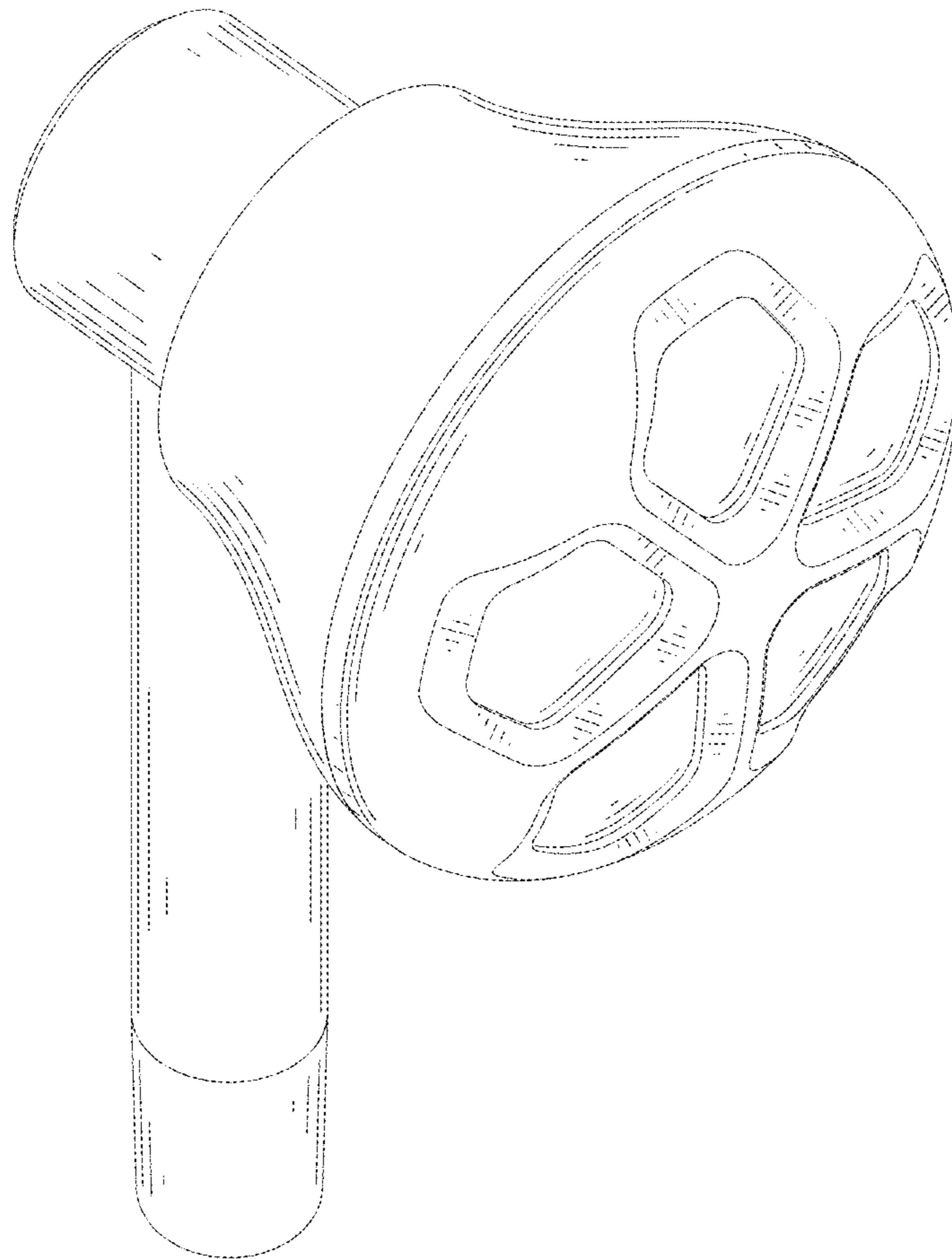


FIG. 7

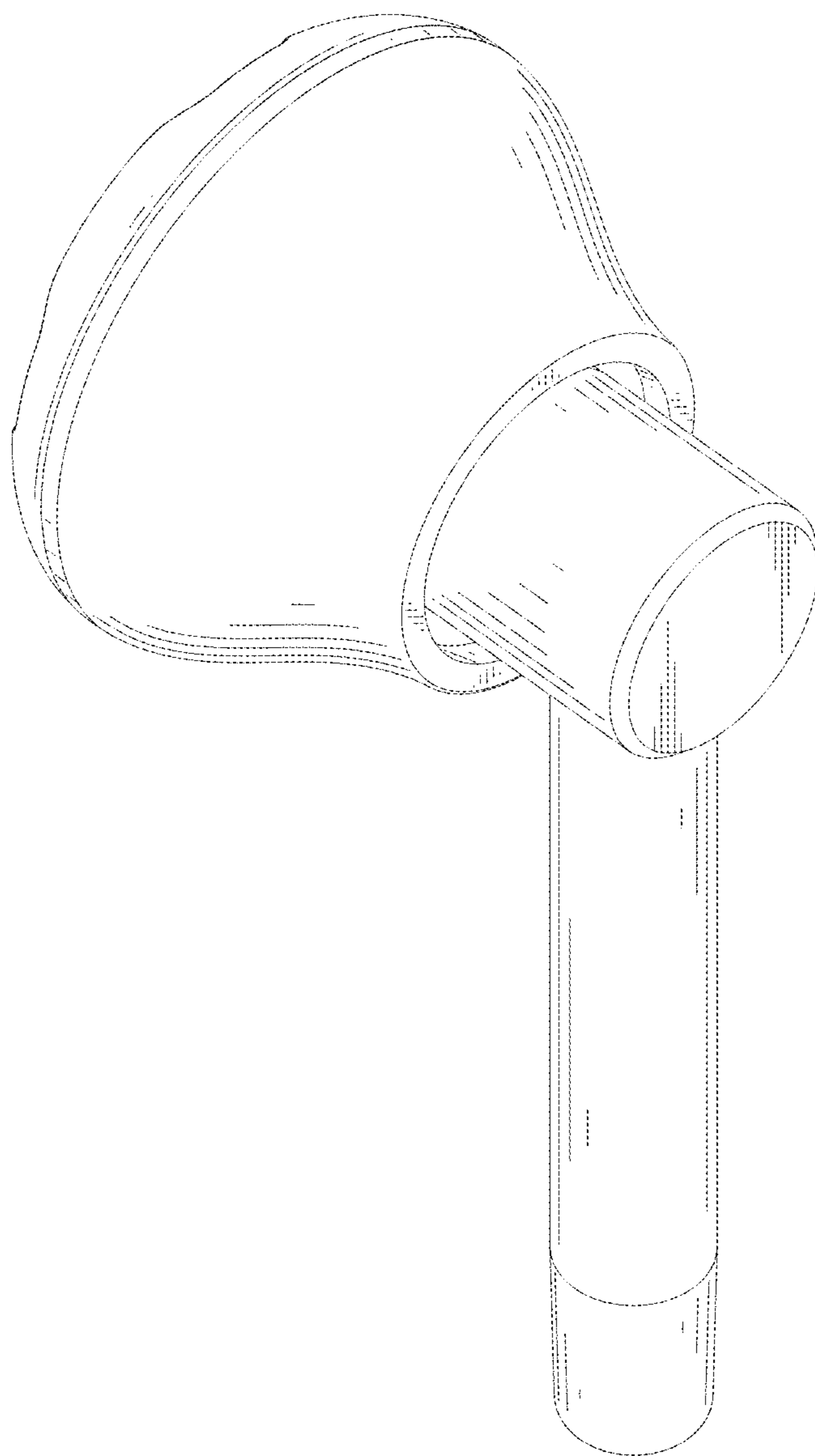


FIG. 8