



US00D817931S

(12) **United States Design Patent**
Yao

(10) **Patent No.:** **US D817,931 S**

(45) **Date of Patent:** **** May 15, 2018**

- (54) **WIRELESS HEADSET**
- (71) Applicant: **Shenzhen Aukey E-Business Co., Ltd.**,
Shenzhen (CN)
- (72) Inventor: **Meiquan Yao**, Shenzhen (CN)
- (73) Assignee: **Shenzhen Aukey E-Business Co., Ltd.**,
Shenzhen (CN)

- D630,622 S * 1/2011 Lee D14/223
- D643,832 S * 8/2011 Park D14/218
- D647,890 S * 11/2011 Son D14/223
- D649,958 S * 12/2011 Park D14/223
- D650,773 S * 12/2011 Kim D14/223
- 8,121,334 B2 * 2/2012 Tsai H04M 1/05
381/374
- D655,277 S * 3/2012 Wai D14/223
- D665,384 S * 8/2012 Birger D14/223

(Continued)

- (**) Term: **15 Years**
- (21) Appl. No.: **29/584,579**
- (22) Filed: **Nov. 16, 2016**
- (51) **LOC (11) Cl.** **14-01**
- (52) **U.S. Cl.**
USPC **D14/223**
- (58) **Field of Classification Search**
USPC D14/223, 205, 206; D24/174; 181/129,
181/130, 135; 128/864, 866, 867;
381/381, 380
CPC H04R 25/00; H04R 25/02; H04R 1/10;
H04R 1/1016; H04R 1/105; H04R
1/1083; H04R 1/1041; H04R 2420/07;
H04R 2430/01; H04R 1/02
See application file for complete search history.

OTHER PUBLICATIONS

Heavy—Best Bluetooth Headsets, announced Oct. 27, 2017 [online], [site visited Oct. 27, 2017]. Available from internet, URL: <<http://heavy.com/tech/2016/08/top-best-bluetooth-wireless-headsets-handsfree-earpiece-wireless-price-2016/>>.*

Primary Examiner — Keli L Hill
Assistant Examiner — Karra S Johnson
(74) *Attorney, Agent, or Firm* — JiangIP LLC; Yanling Jiang

(57) **CLAIM**

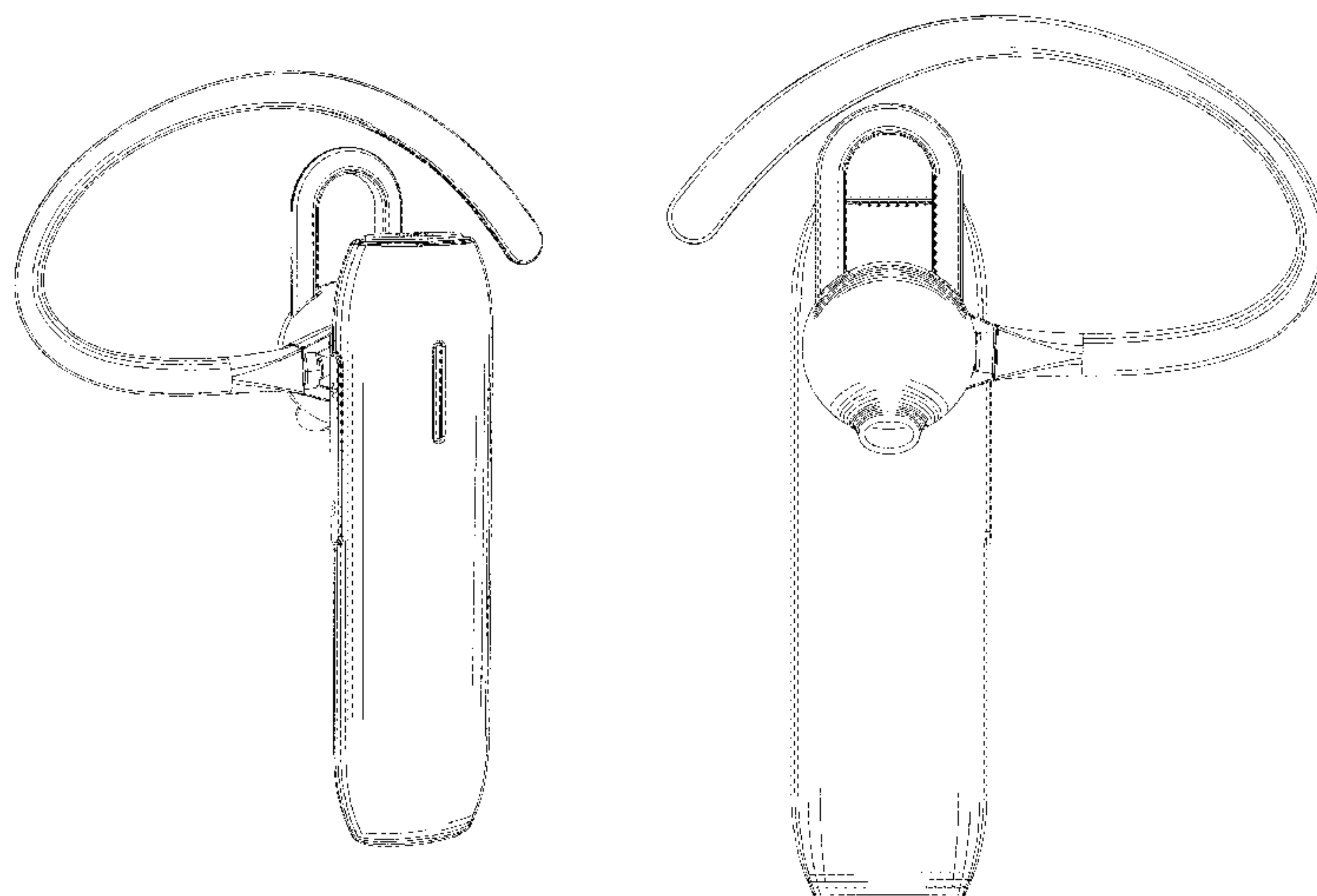
The ornamental design for a wireless headset, as shown and described.

DESCRIPTION

FIG. 1 is a perspective view showing a wireless headset. FIG. 2 is a front view of a wireless headset. FIG. 3 is a rear view of a wireless headset. FIG. 4 is a top view of a wireless headset. FIG. 5 is a bottom view of a wireless headset. FIG. 6 is a side view of a wireless headset; and, FIG. 7 is a side view of a wireless headset. The broken lines showing portions of the wireless headset form no part of the claimed design. The broken lines include the symbol-shaped components in FIGS. 1 and 6, the symbol-shaped component in FIGS. 1 and 4, the rounded rectangular component in FIG. 5, and the curved structure in FIG. 5.

- (56) **References Cited**
U.S. PATENT DOCUMENTS
- D373,567 S * 9/1996 Rak D13/133
- D411,175 S * 6/1999 Doren D13/133
- D516,032 S * 2/2006 Suckle D13/147
- D521,023 S * 5/2006 Kim D14/203.7
- D537,780 S * 3/2007 Suckle D13/133
- D568,810 S * 5/2008 Weinstein D13/110
- D595,698 S * 7/2009 Guccione D14/223
- D606,980 S * 12/2009 Bradford D14/218
- D610,575 S * 2/2010 Brickstad D14/223
- D619,998 S * 7/2010 Birger D14/223
- D624,923 S * 10/2010 Lu D14/480.5
- D628,989 S * 12/2010 Lee D14/223
- D630,620 S * 1/2011 Lee D14/223

1 Claim, 7 Drawing Sheets



(56)

References Cited

U.S. PATENT DOCUMENTS

D681,602 S	*	5/2013	Koch	D14/205
D682,808 S	*	5/2013	Fletcher	D14/205
D696,647 S	*	12/2013	Houghton	D14/223
D716,268 S	*	10/2014	Yamamoto	D14/218
D762,623 S	*	8/2016	Gondo	D14/223

* cited by examiner

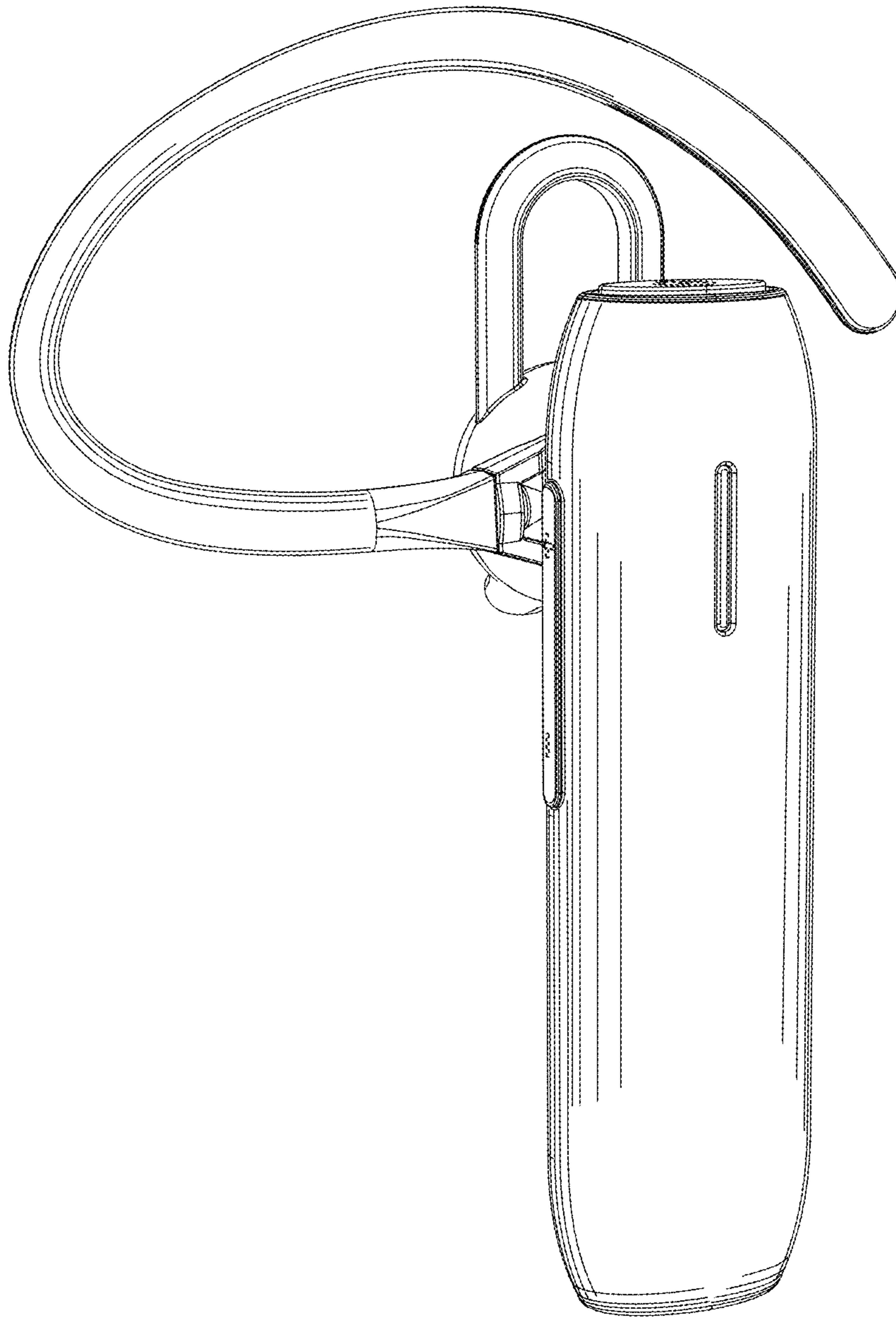


Fig. 1

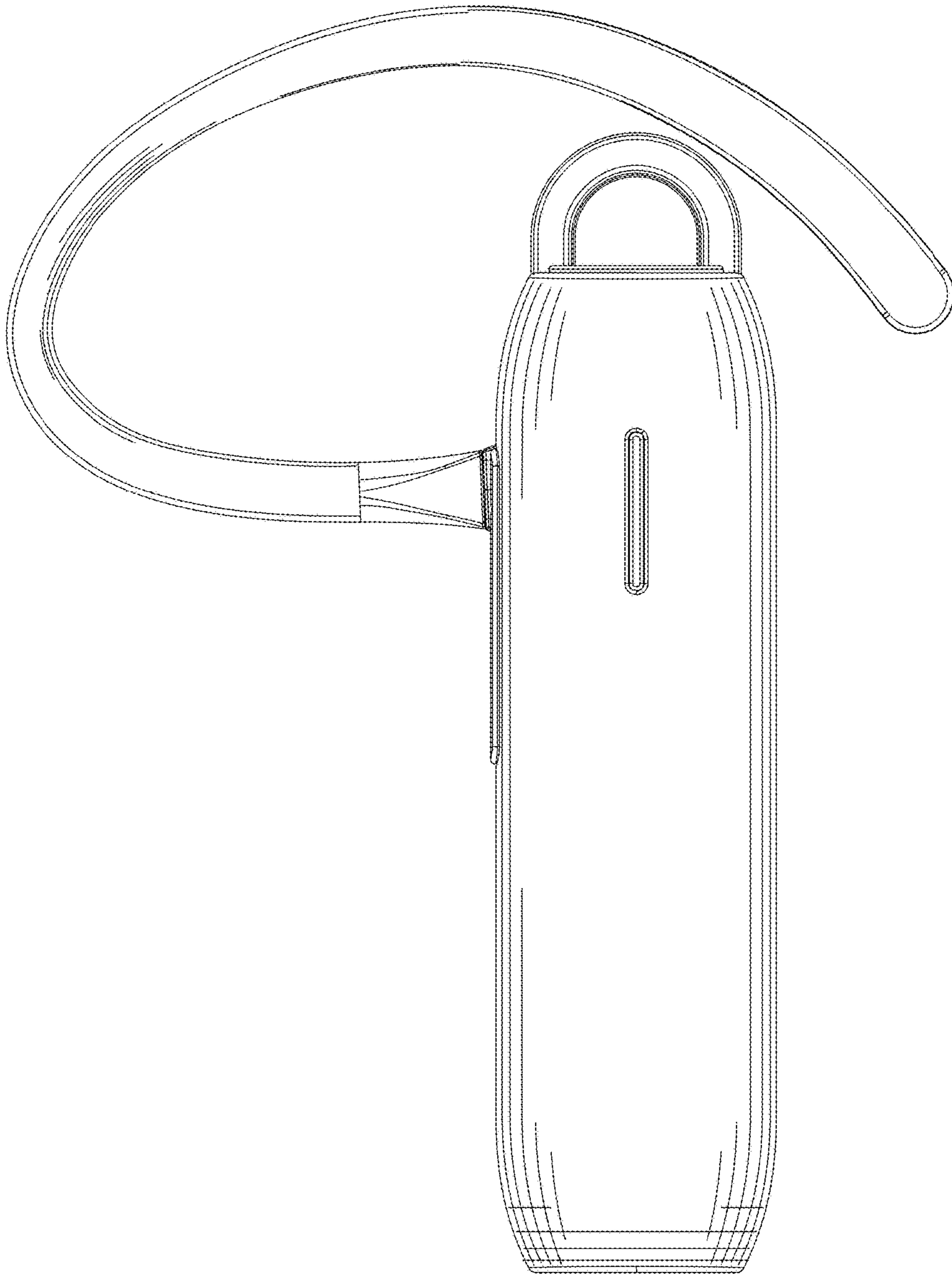


Fig. 2

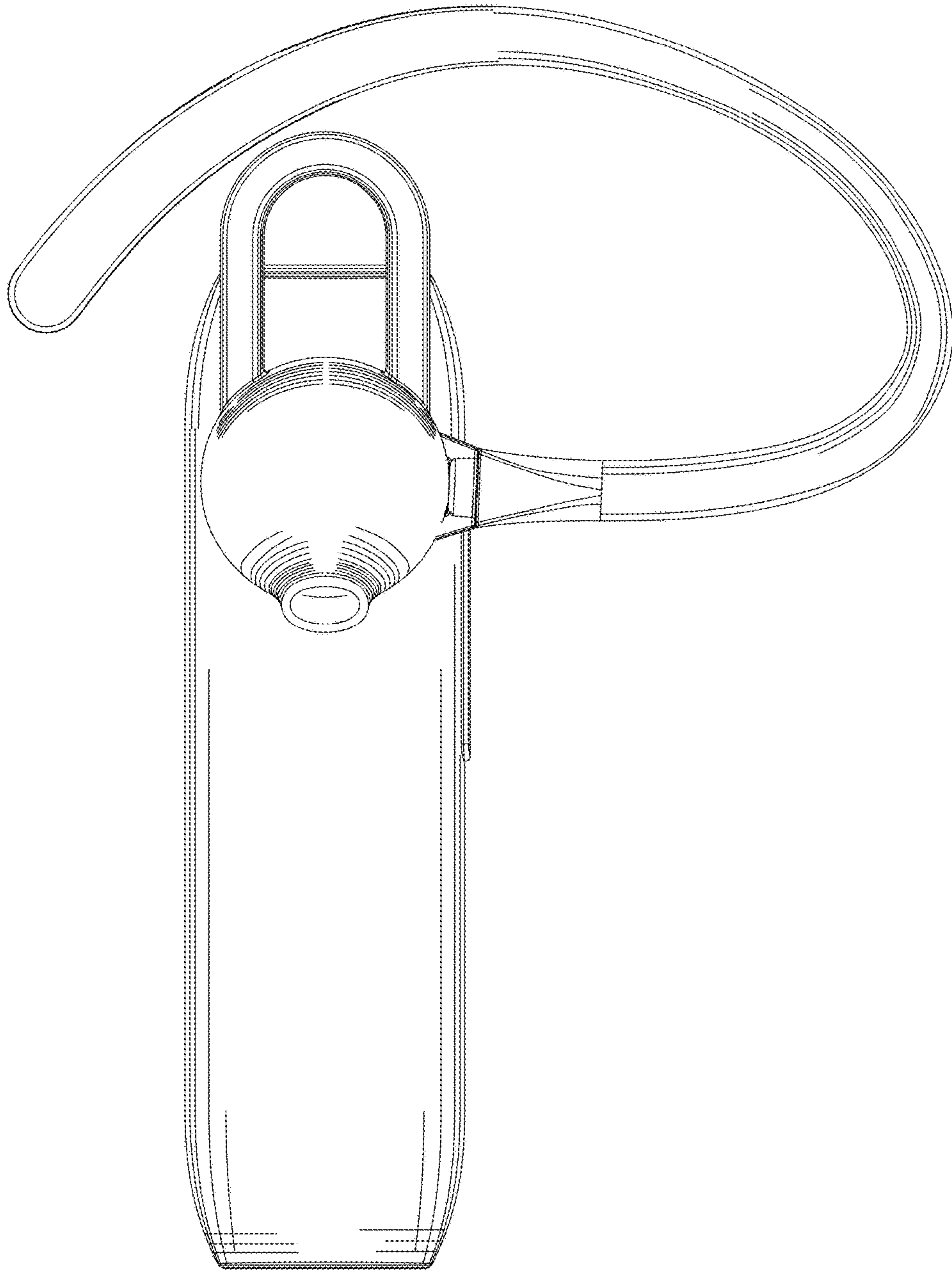


Fig. 3

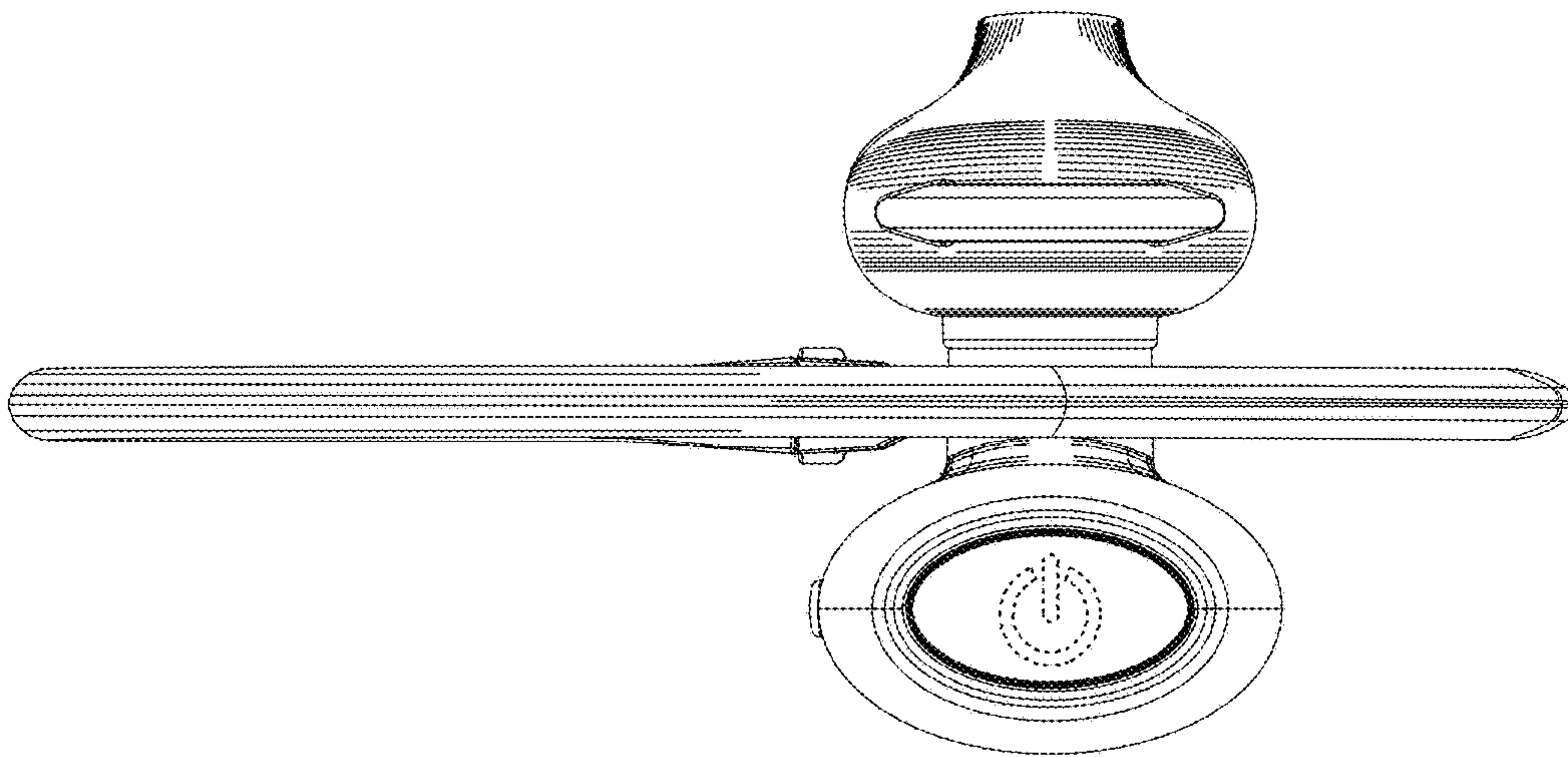


Fig. 4

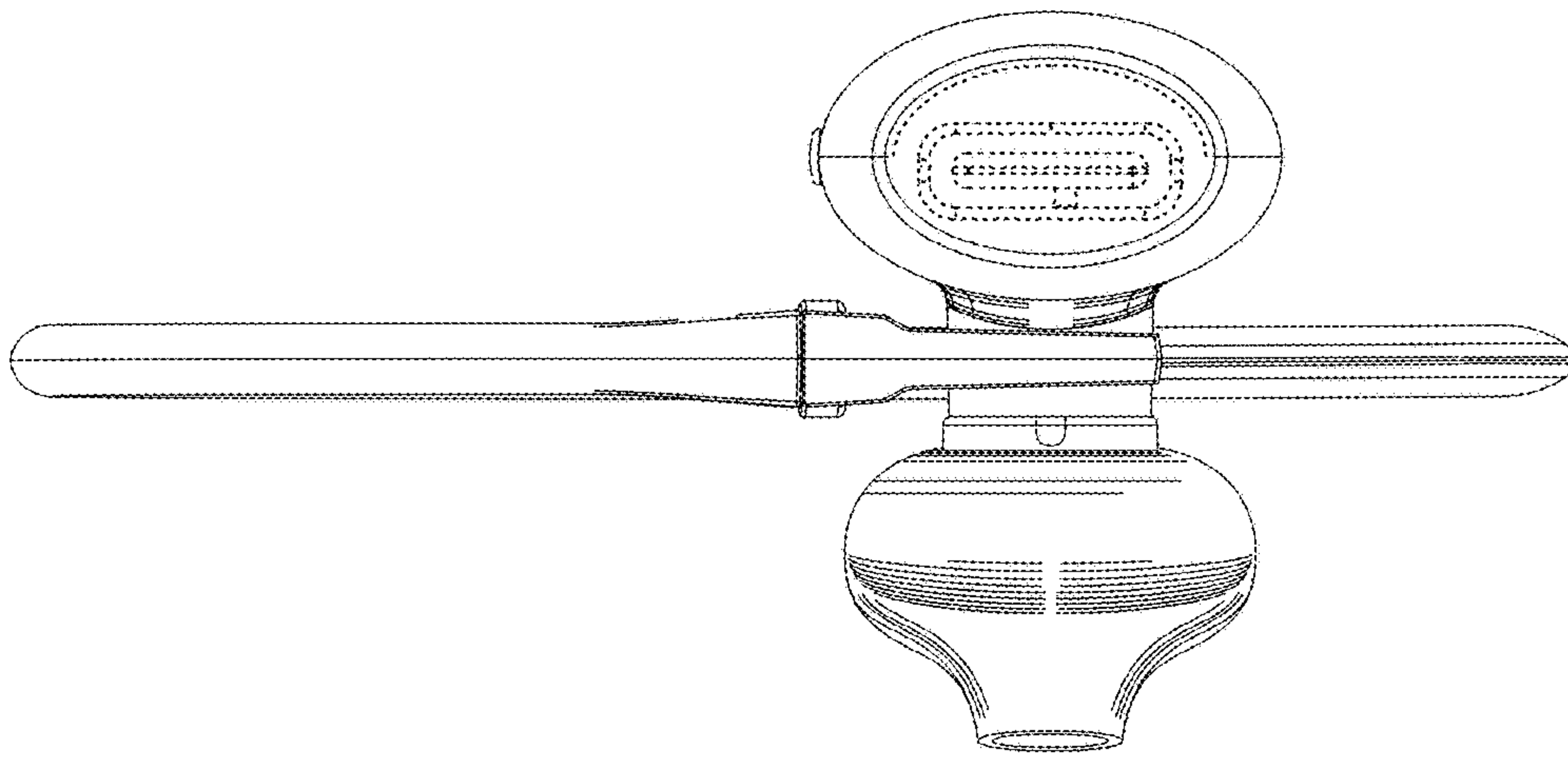


Fig. 5

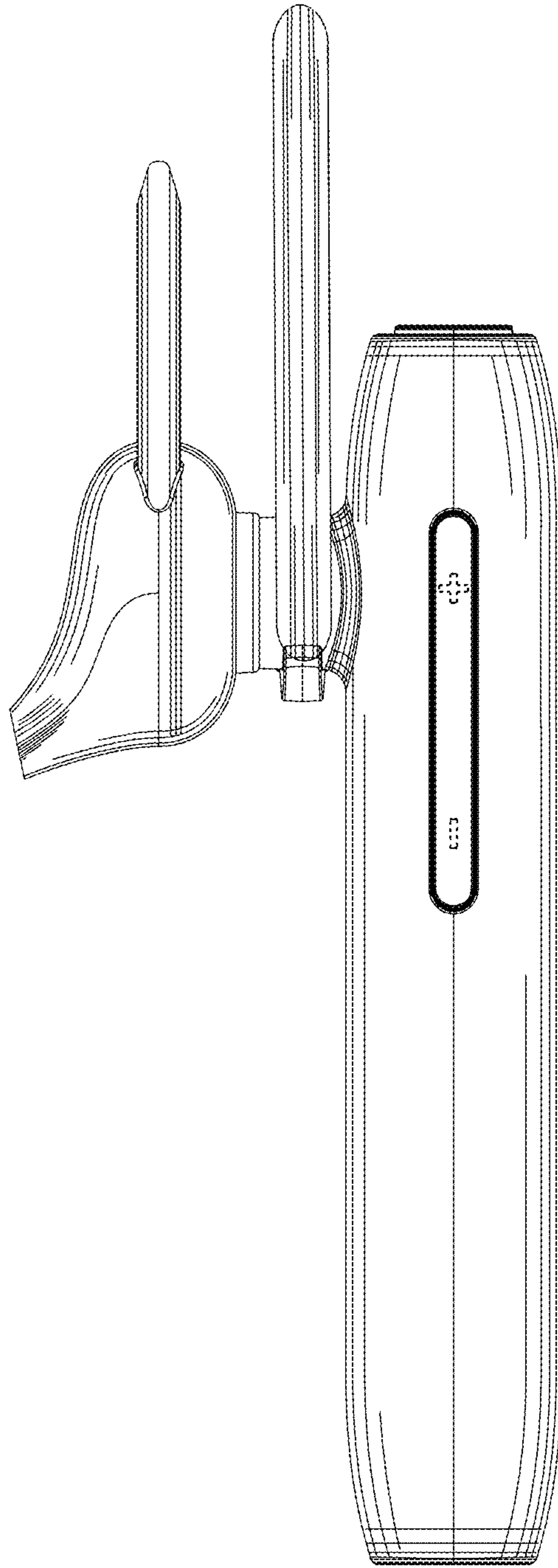


Fig. 6

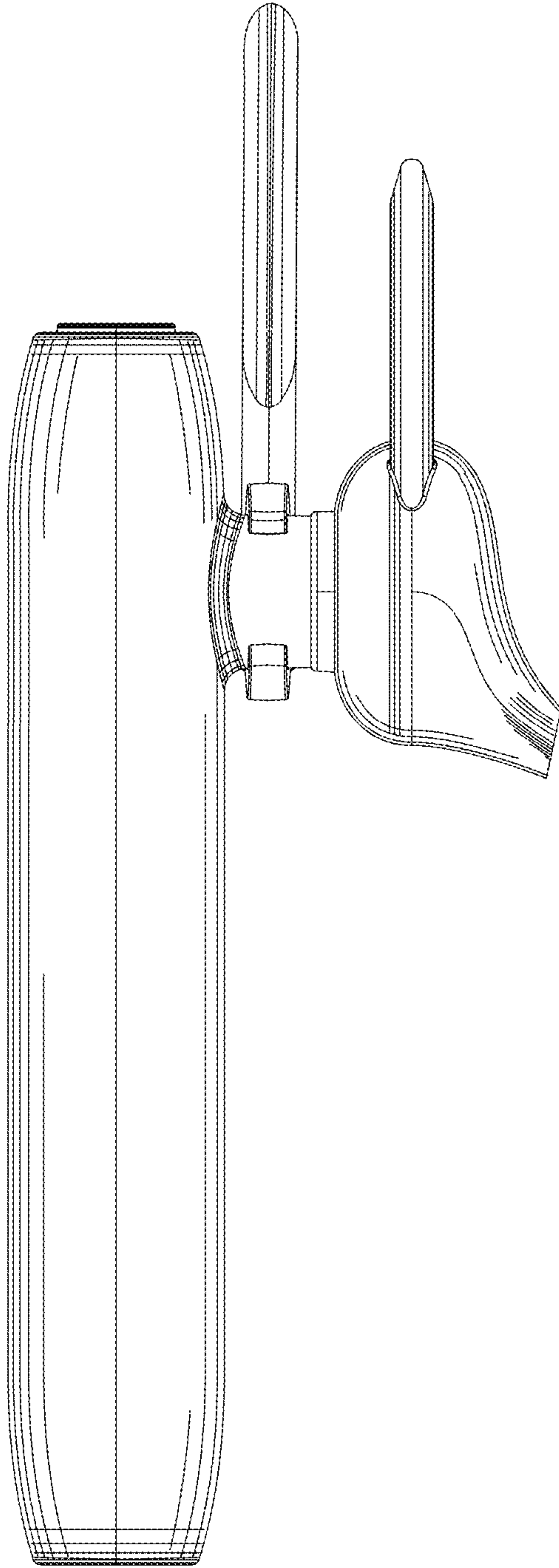


Fig. 7