



US00D817930S

(12) **United States Design Patent**
Kim et al.

(10) **Patent No.:** **US D817,930 S**

(45) **Date of Patent:** **** May 15, 2018**

(54) **REMOTE CONTROL**

(71) Applicant: **SAMSUNG ELECTRONICS CO., LTD.**, Suwon-si (KR)

(72) Inventors: **Eui-Seok Kim**, Seongnam-Si (KR); **Sung-II Bang**, Seoul (KR); **Chul-Yong Cho**, Seoul (KR); **Min-Joon Jung**, Seoul (KR)

(73) Assignee: **Samsung Electronics Co., Ltd.**, Suwon-si (KR)

(**) Term: **15 Years**

(21) Appl. No.: **29/571,364**

(22) Filed: **Jul. 18, 2016**

(30) **Foreign Application Priority Data**

Jan. 20, 2016 (KR) 30-2016-0002718

(51) **LOC (11) Cl.** **14-03**

(52) **U.S. Cl.**
USPC **D14/218**

(58) **Field of Classification Search**
USPC D13/168; D14/137-139, 150, 151, 217,
D14/218, 240, 247.388-390, 396, 511,
D14/455; D18/2, 7; D21/324-333, 512,
D21/516, 517

CPC G08C 19/12; H04N 5/44; H04L 17/02
See application file for complete search history.

(56) **References Cited**

U.S. PATENT DOCUMENTS

D481,024 S * 10/2003 Nuk D14/137
D509,199 S * 9/2005 Haase D14/137
D531,585 S * 11/2006 Weitgasser D13/168
D559,267 S * 1/2008 Griffin D14/168
D620,456 S * 7/2010 Akana D13/168
D649,138 S * 11/2011 Akana D13/168

D658,636 S * 5/2012 Maier D14/218
D678,891 S * 3/2013 Bristol D14/455
D687,815 S * 8/2013 Hwangho D14/218
D695,749 S * 12/2013 Hirano D14/455
D713,820 S * 9/2014 O'Neil D14/218
D714,762 S * 10/2014 O'Neil D14/218
D768,605 S * 10/2016 Wong D14/218
D787,474 S * 5/2017 Yap D14/218
D789,364 S * 6/2017 Jentz D14/218
D789,365 S * 6/2017 Jentz D14/218
D789,366 S * 6/2017 Jentz D14/218

(Continued)

FOREIGN PATENT DOCUMENTS

CN 2015301865714 12/2005
CN 2015302468007 11/2015

(Continued)

Primary Examiner — John Windmuller

Assistant Examiner — Benjamin M Weeks

(74) *Attorney, Agent, or Firm* — NSIP Law

(57) **CLAIM**

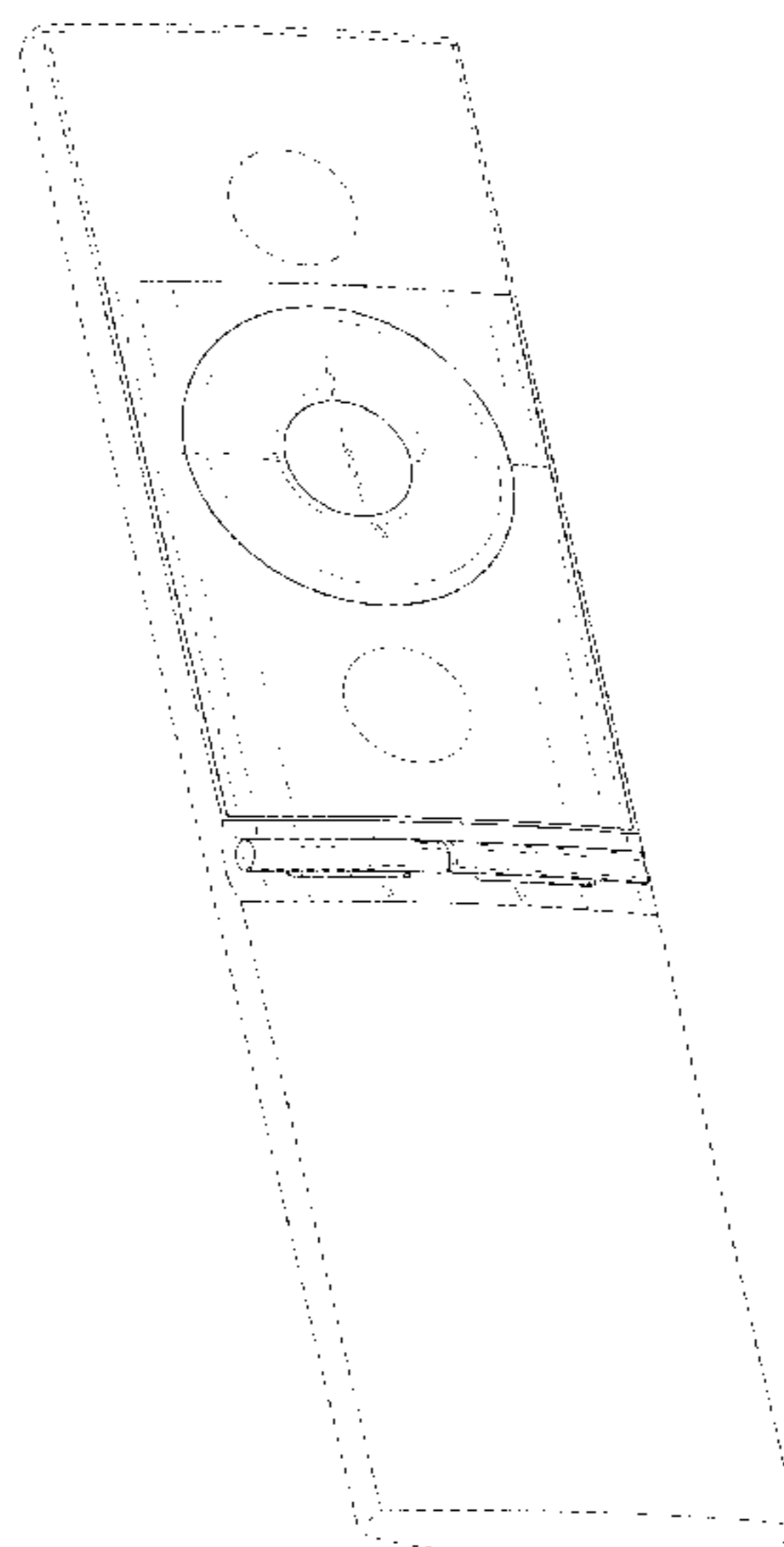
We claim the ornamental design for a remote control, as shown and described.

DESCRIPTION

FIG. 1 is a front perspective view of a remote control showing our new design;
FIG. 2 is a front view thereof;
FIG. 3 is a rear view thereof;
FIG. 4 is a left-side view thereof;
FIG. 5 is a right-side view thereof;
FIG. 6 is a top view thereof; and,
FIG. 7 is a bottom view thereof.

The evenly-spaced broken lines in the figures depict portions of the remote control that form no part of the claimed design. The dot-dash broken lines represent the boundary of the claimed design and are not part of the claimed design.

1 Claim, 6 Drawing Sheets



(56)

References Cited

U.S. PATENT DOCUMENTS

D789,367 S * 6/2017 Jentz D14/218
D791,105 S * 7/2017 Weber D14/218

FOREIGN PATENT DOCUMENTS

CN 2015302745599 12/2015
KR 30-2012-0012876 1/2013

* cited by examiner

FIG. 1

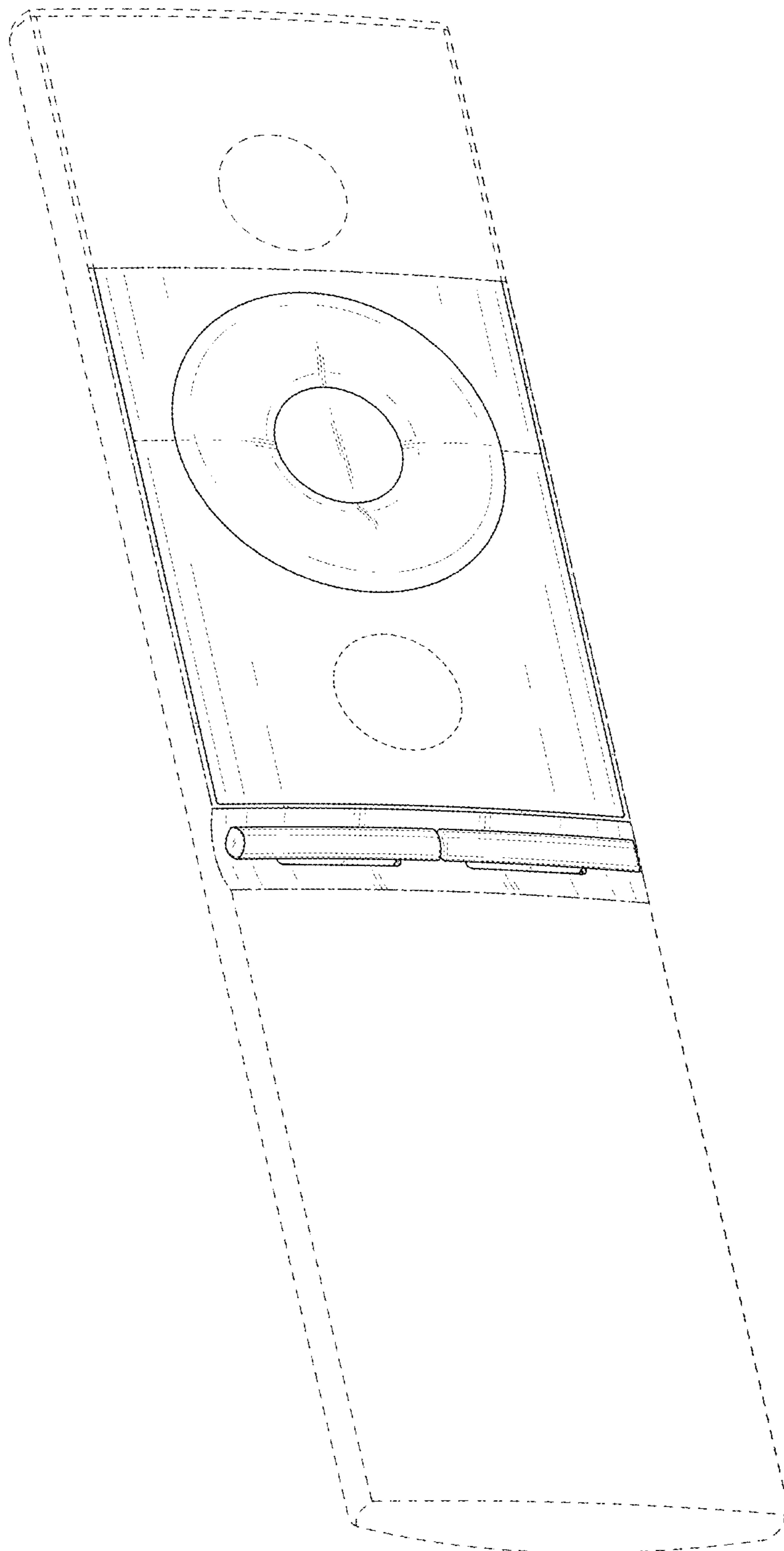


FIG. 2

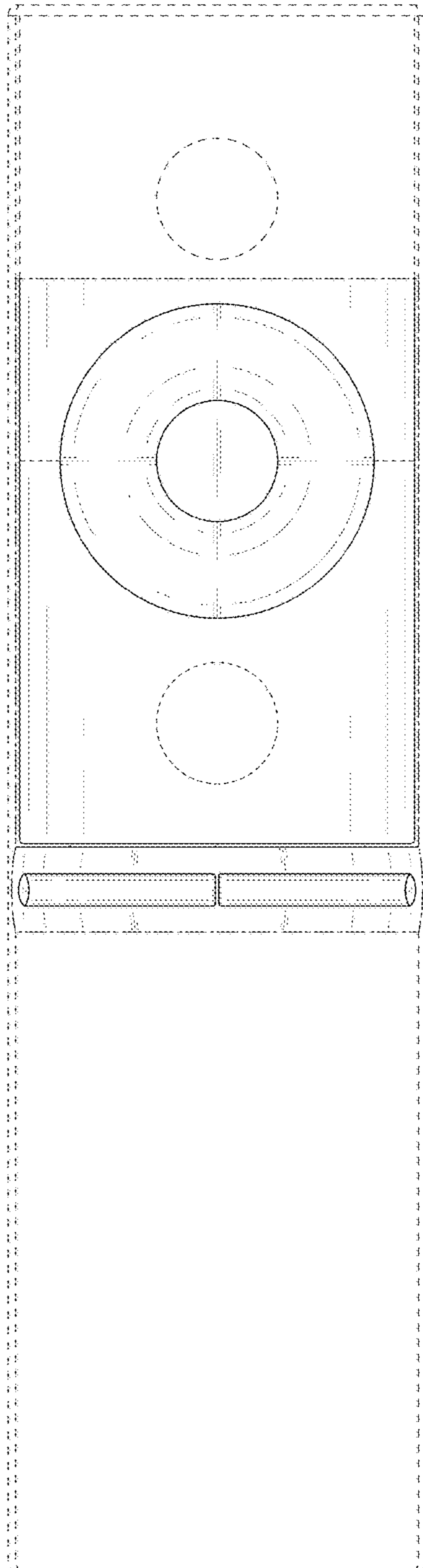


FIG. 3

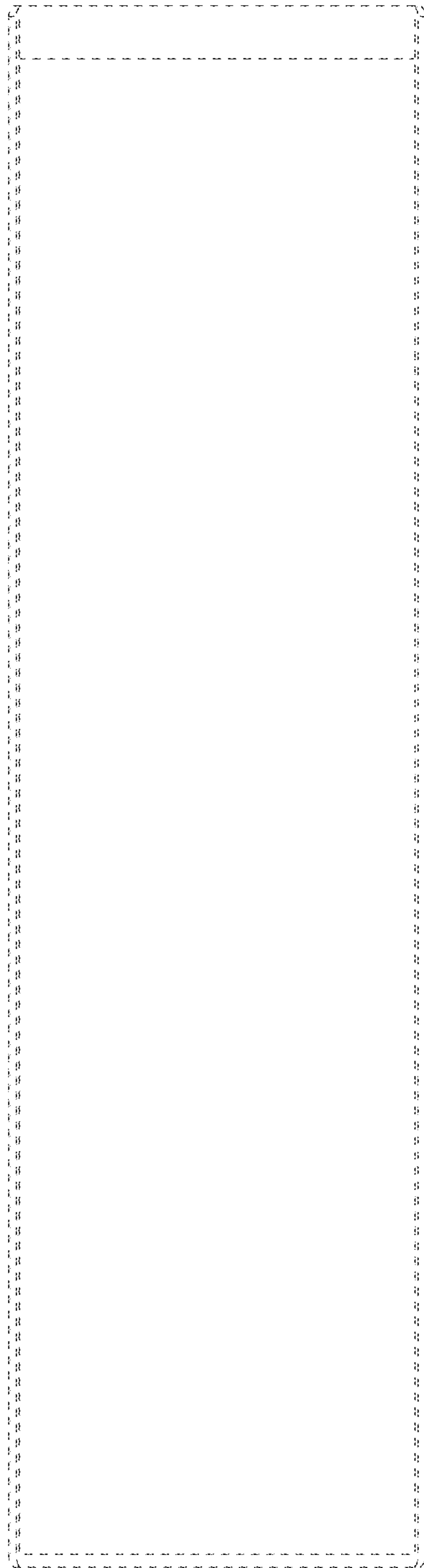


FIG. 4

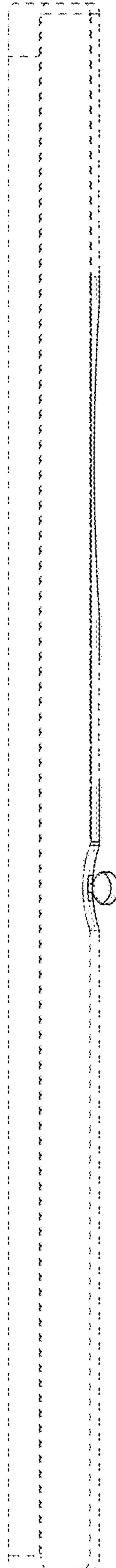


FIG. 5

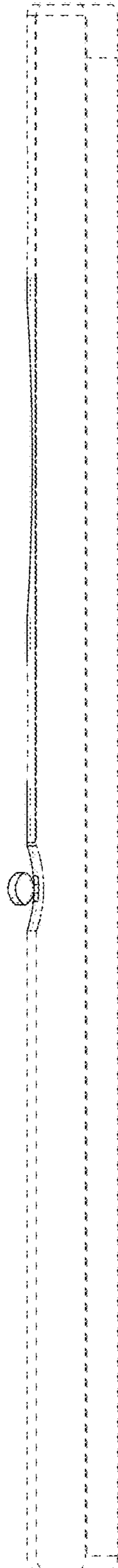


FIG. 6

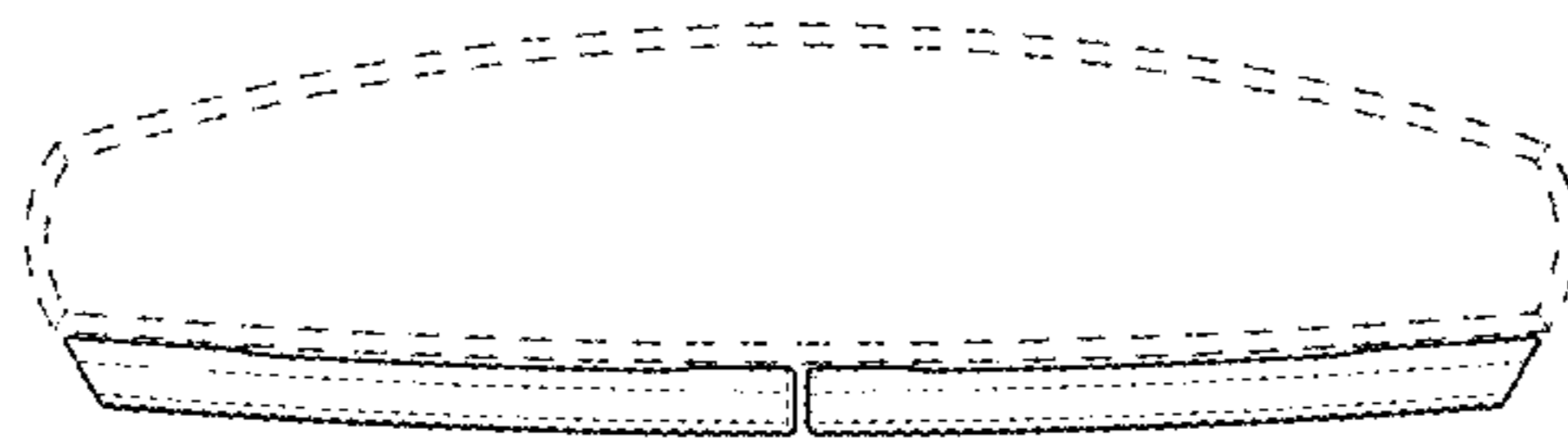


FIG. 7

