



US00D817928S

(12) **United States Design Patent**
Holzer

(10) **Patent No.:** **US D817,928 S**

(45) **Date of Patent:** **** May 15, 2018**

(54) **PORTABLE WIRELESS STEREO SPEAKER**

(71) Applicant: **Eric Holzer**, Manville, NJ (US)

(72) Inventor: **Eric Holzer**, Manville, NJ (US)

(73) Assignee: **SDI TECHNOLOGIES, INC.**,
Rahway, NJ (US)

(**) Term: **15 Years**

(21) Appl. No.: **29/556,977**

(22) Filed: **Mar. 4, 2016**

(51) **LOC (11) Cl.** **14-03**

(52) **U.S. Cl.**
USPC **D14/216; D14/214**

(58) **Field of Classification Search**
USPC D14/167, 168, 170-172, 188, 194-196,
D14/204, 207, 209.1, 210-216, 219, 221,
D14/222, 224, 239, 496; 181/143, 144,
181/147, 148, 150, 153, 157, 198, 199;
381/300-303, 306, 332, 333, 336, 345,
381/361-364, 386-388; 369/6-12
CPC B60R 11/0217; G06F 1/1688; G10K 9/22;
G10K 11/004; H03F 1/327; H04M 1/03;
H04M 1/035; H04N 5/642; H04N
21/4852; H04R 1/02; H04R 1/06; H04R
1/021; H04R 1/025; H04R 1/026; H04R
1/028; H04R 1/105; H04R 1/323; H04R
1/403; H04R 1/2803; H04R 1/2834;
H04R 5/02; H04R 7/20; H04R 9/06;
H04R 9/025; H04R 2201/021; H04R
2400/00; H04R 2400/07; H04R 2499/11;
H04R 2499/13; H04R 2499/15; H04S
3/00; H04S 7/30

See application file for complete search history.

(56) **References Cited**

U.S. PATENT DOCUMENTS

D320,347 S 10/1991 Lucarelli
D642,158 S * 7/2011 Skurdal D14/214

D655,276 S * 3/2012 Joseph D14/214
D678,865 S * 3/2013 Behar D14/214
D693,329 S * 11/2013 Lee D14/210
D695,710 S 12/2013 Szymanski
D706,743 S 6/2014 Lukic
D720,332 S 12/2014 Kim
D726,155 S 4/2015 Cheng
D726,684 S 4/2015 Schmiedbauer
D734,300 S 7/2015 Fujioka
D753,631 S * 4/2016 Holzer D14/216
D773,941 S * 12/2016 Holzer D10/22
D785,597 S * 5/2017 Fung D14/204
D802,559 S * 11/2017 Holzer D14/210

OTHER PUBLICATIONS

Design U.S. Appl. No. 29/552,117, filed Jan. 20, 2016.
Design U.S. Appl. No. 29/511,995, filed Dec. 16, 2014.

* cited by examiner

Primary Examiner — Keli L Hill
(74) *Attorney, Agent, or Firm* — Ostrolenk Faber LLP

(57) **CLAIM**

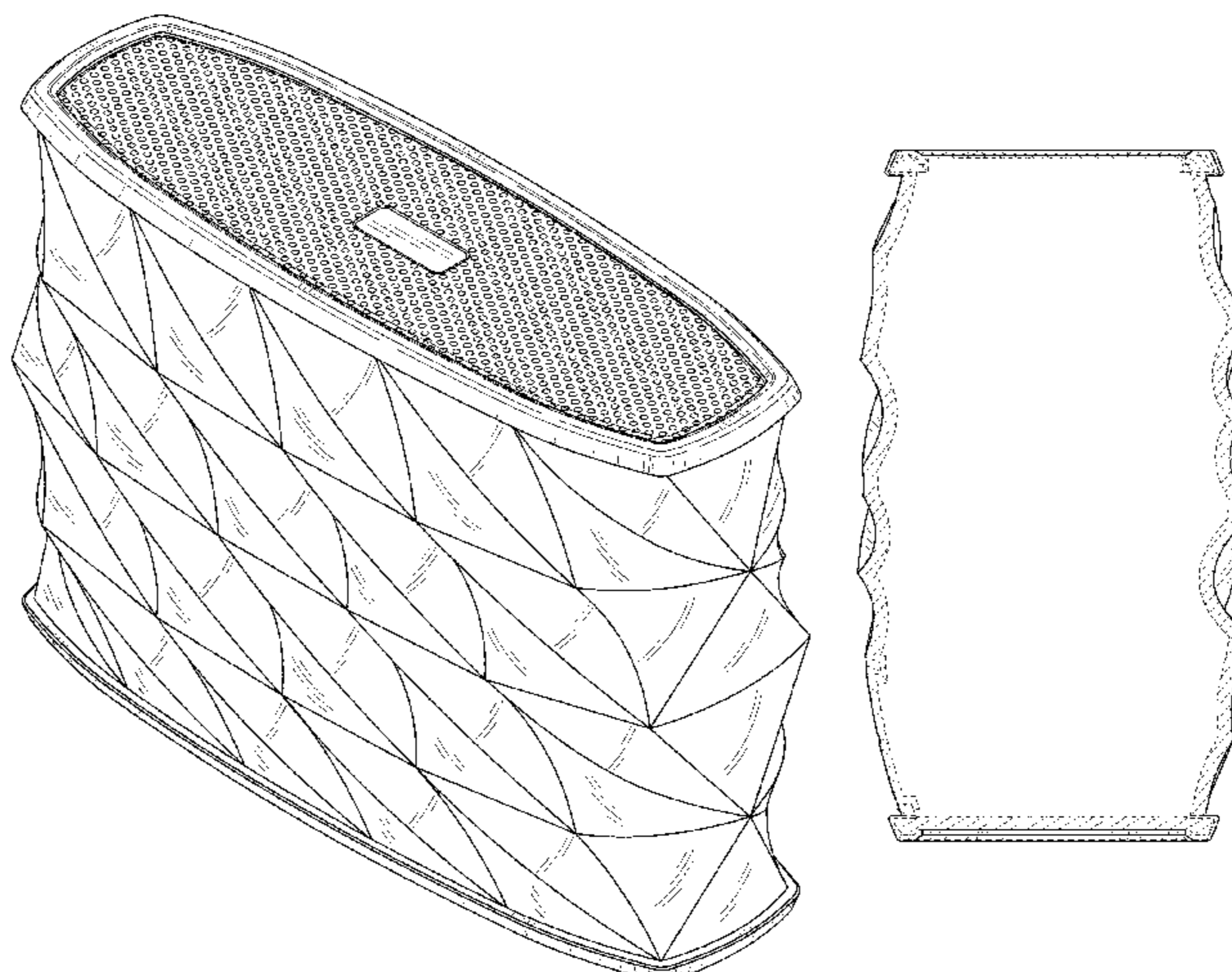
The ornamental design for a portable wireless stereo speaker, as shown and described.

DESCRIPTION

FIG. 1 is a top, front, perspective view of a portable wireless stereo speaker showing my new design;
FIG. 2 is a front view thereof;
FIG. 3 is a rear view thereof;
FIG. 4 is a right side view thereof, the left side view being a mirror image;
FIG. 5 is a top view thereof;
FIG. 6 is a bottom view thereof;
FIG. 7 is a cross-sectional view thereof along line 7-7 in FIG. 4; and,
FIG. 8 is a cross-sectional view thereof along line 8-8 in FIG. 3.

The broken lines in the drawings illustrate environmental material that forms no part of the claimed design.

1 Claim, 8 Drawing Sheets



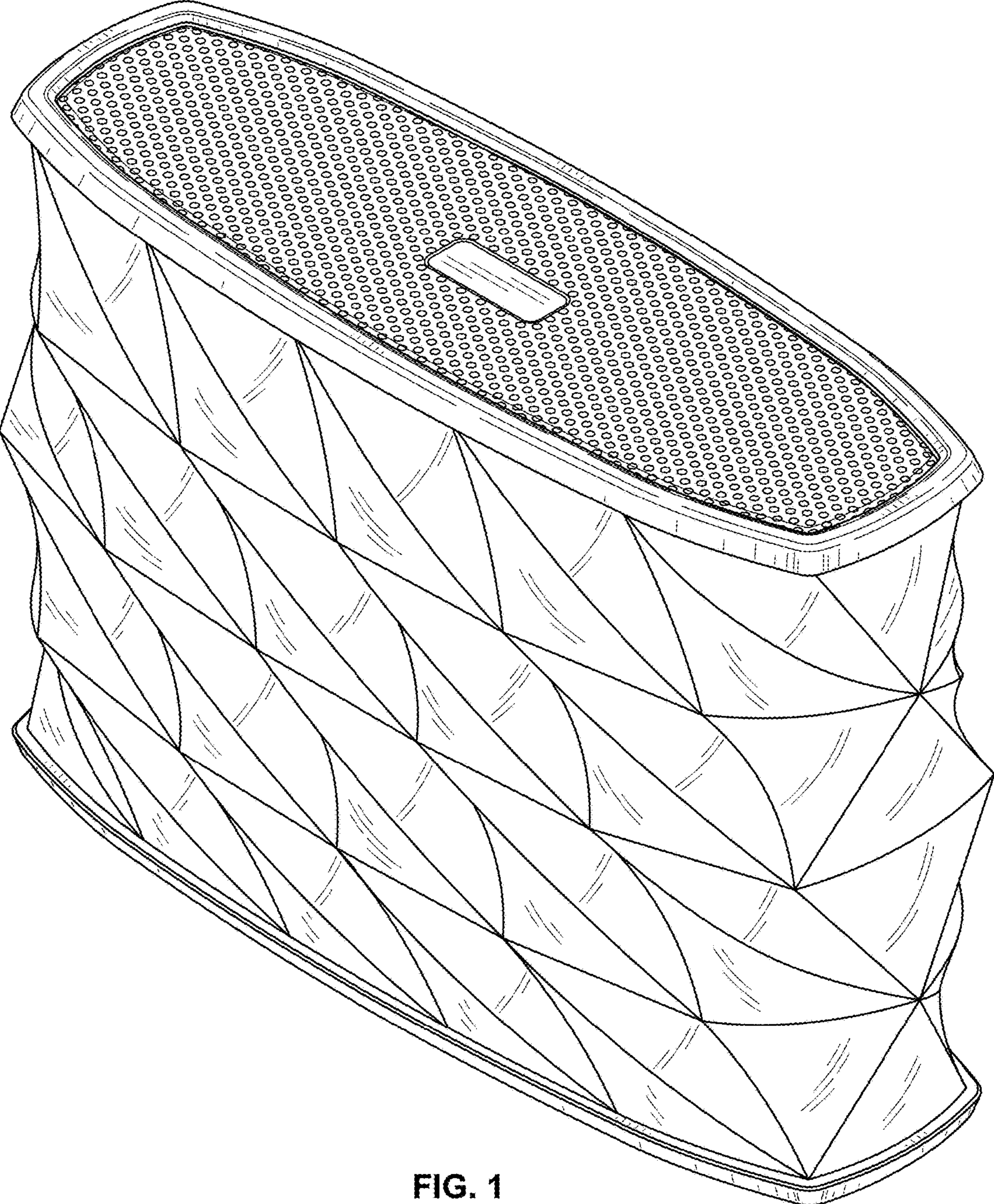


FIG. 1

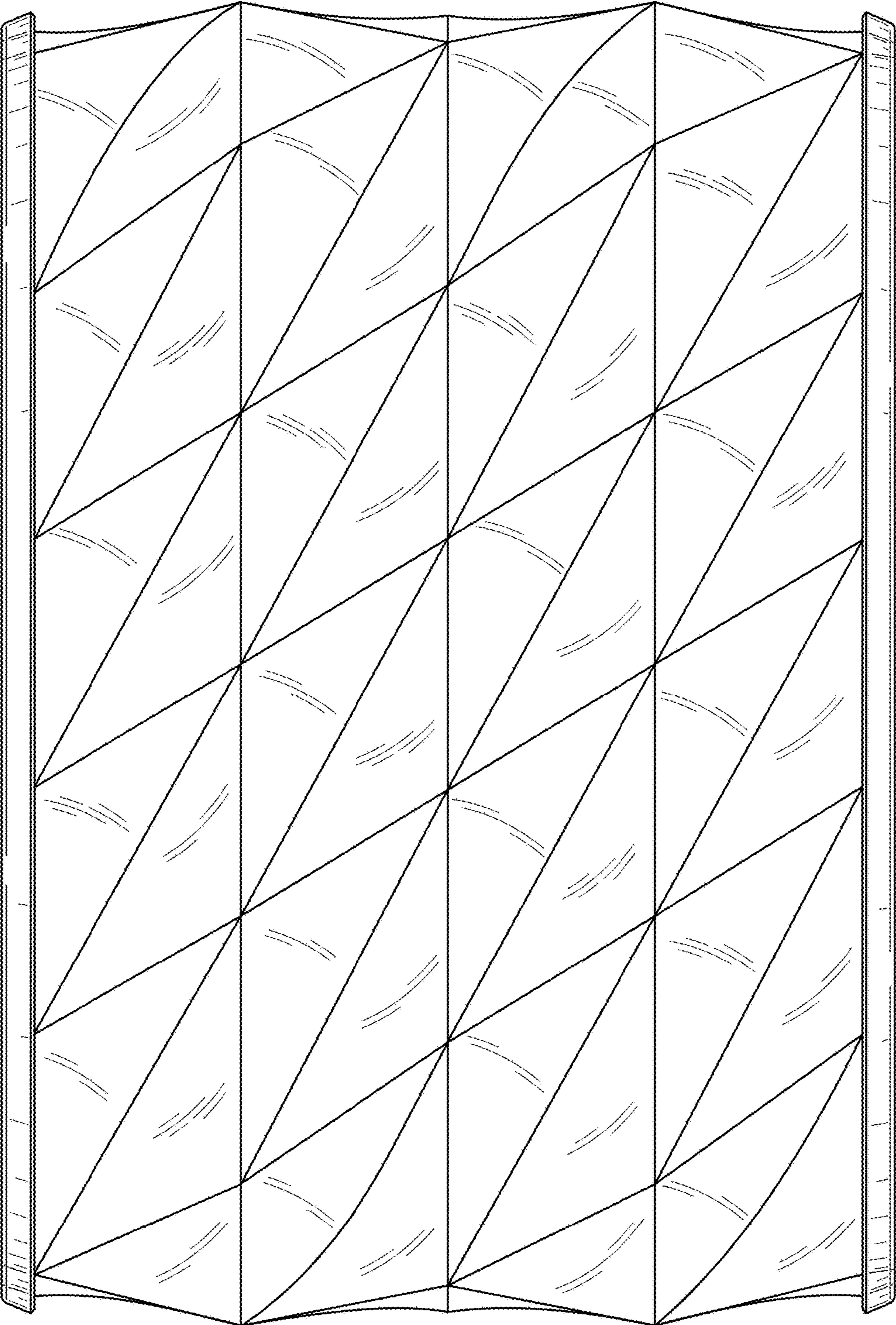


FIG. 2

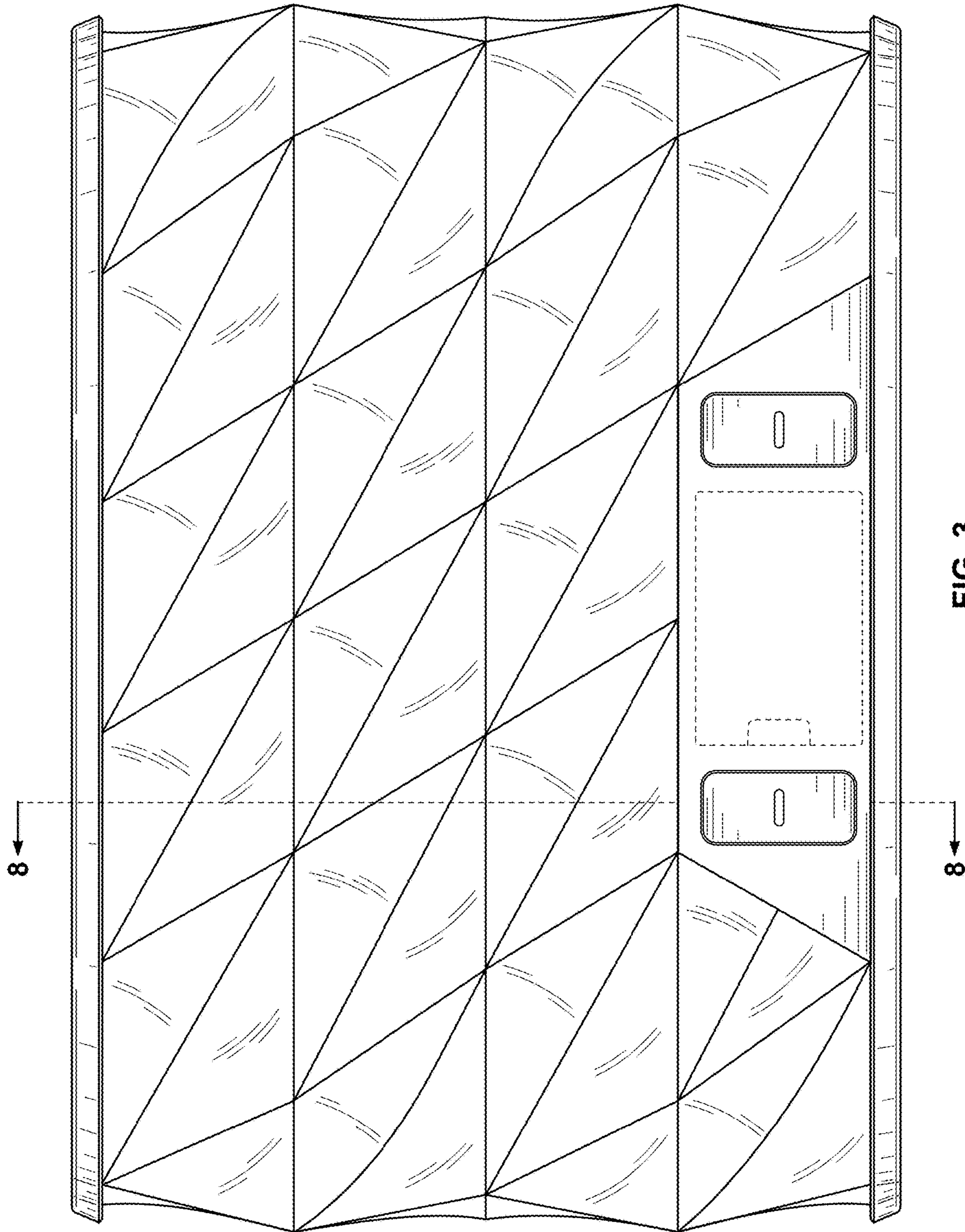


FIG. 3

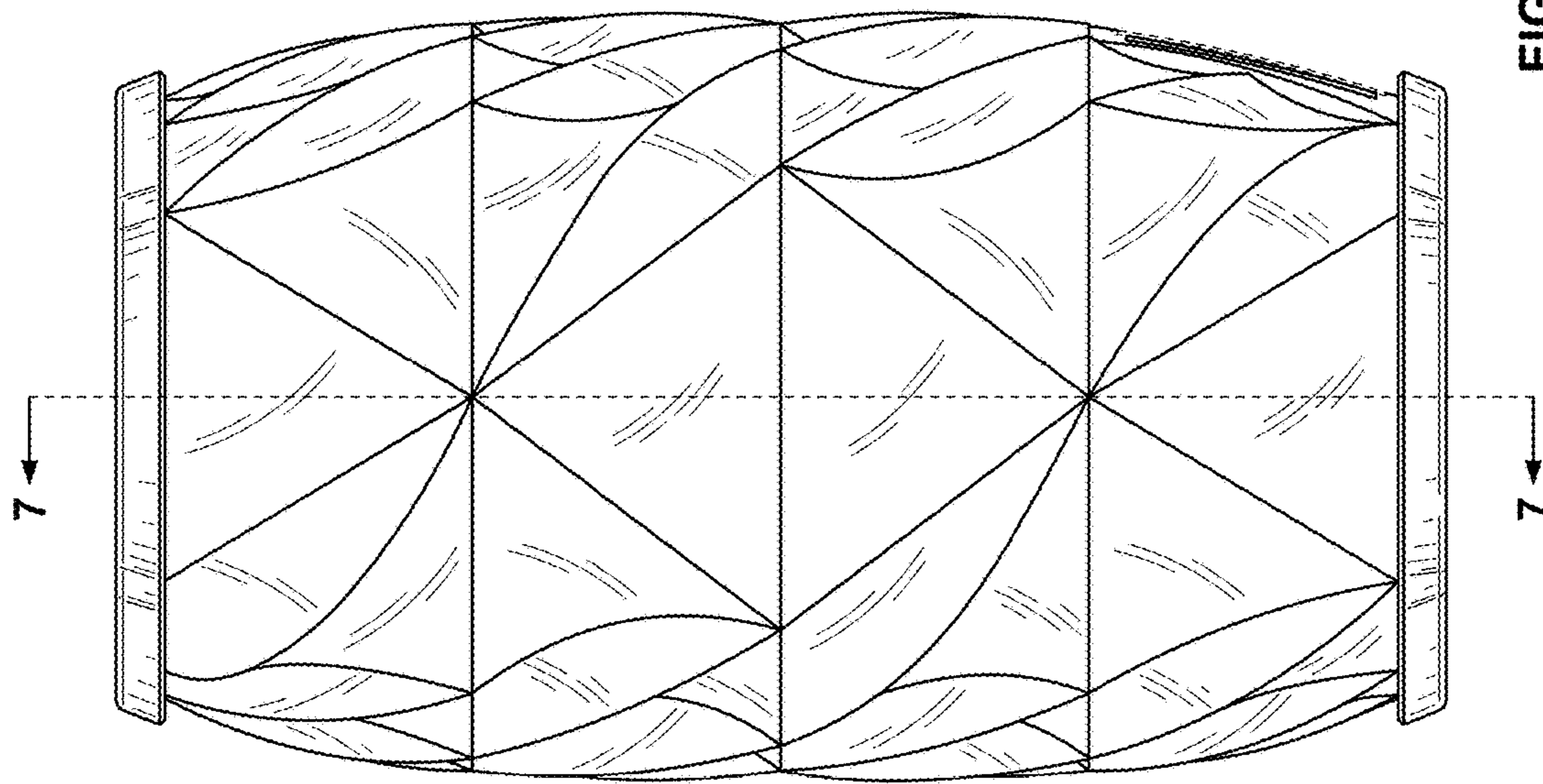


FIG. 4

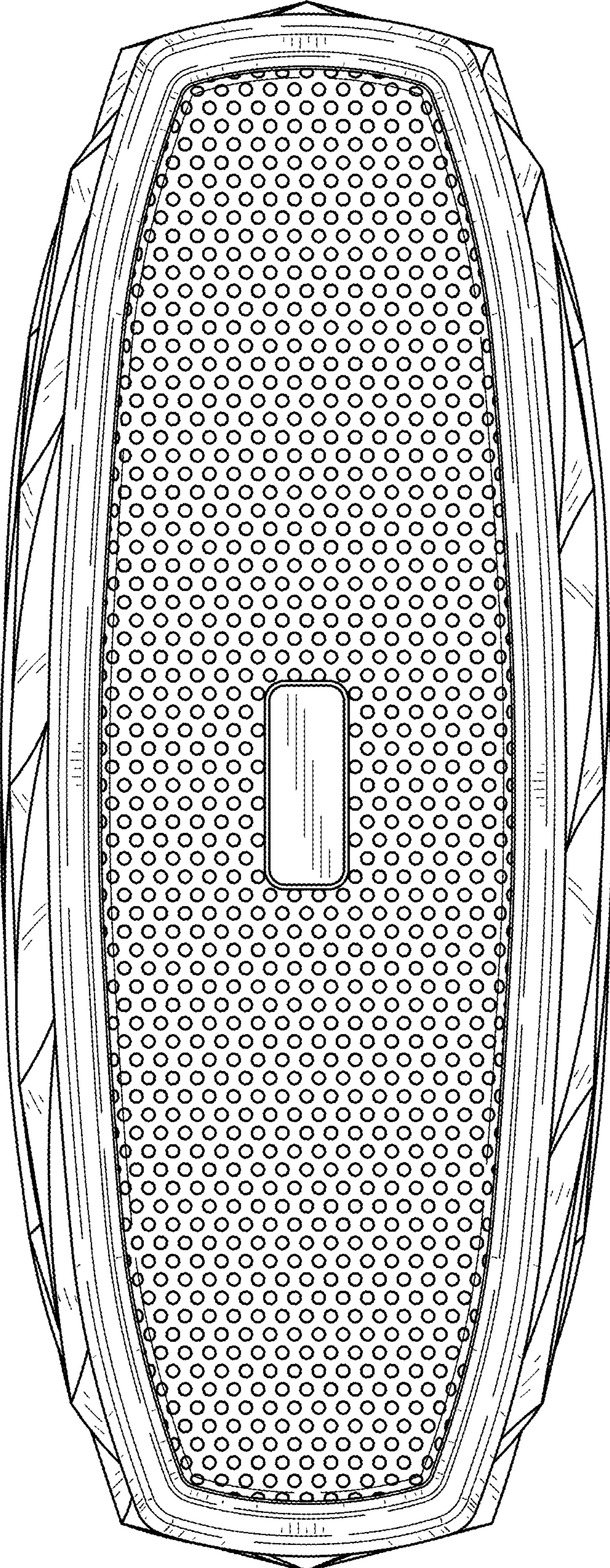


FIG. 5

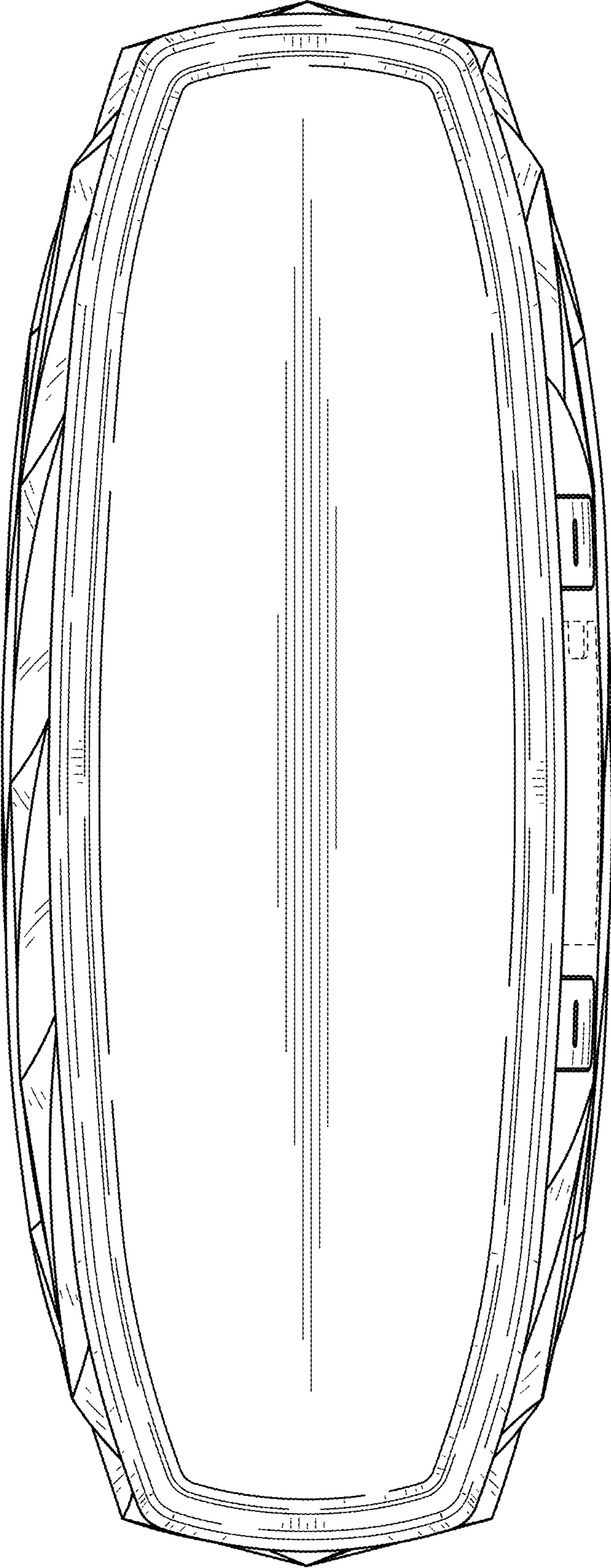


FIG. 6

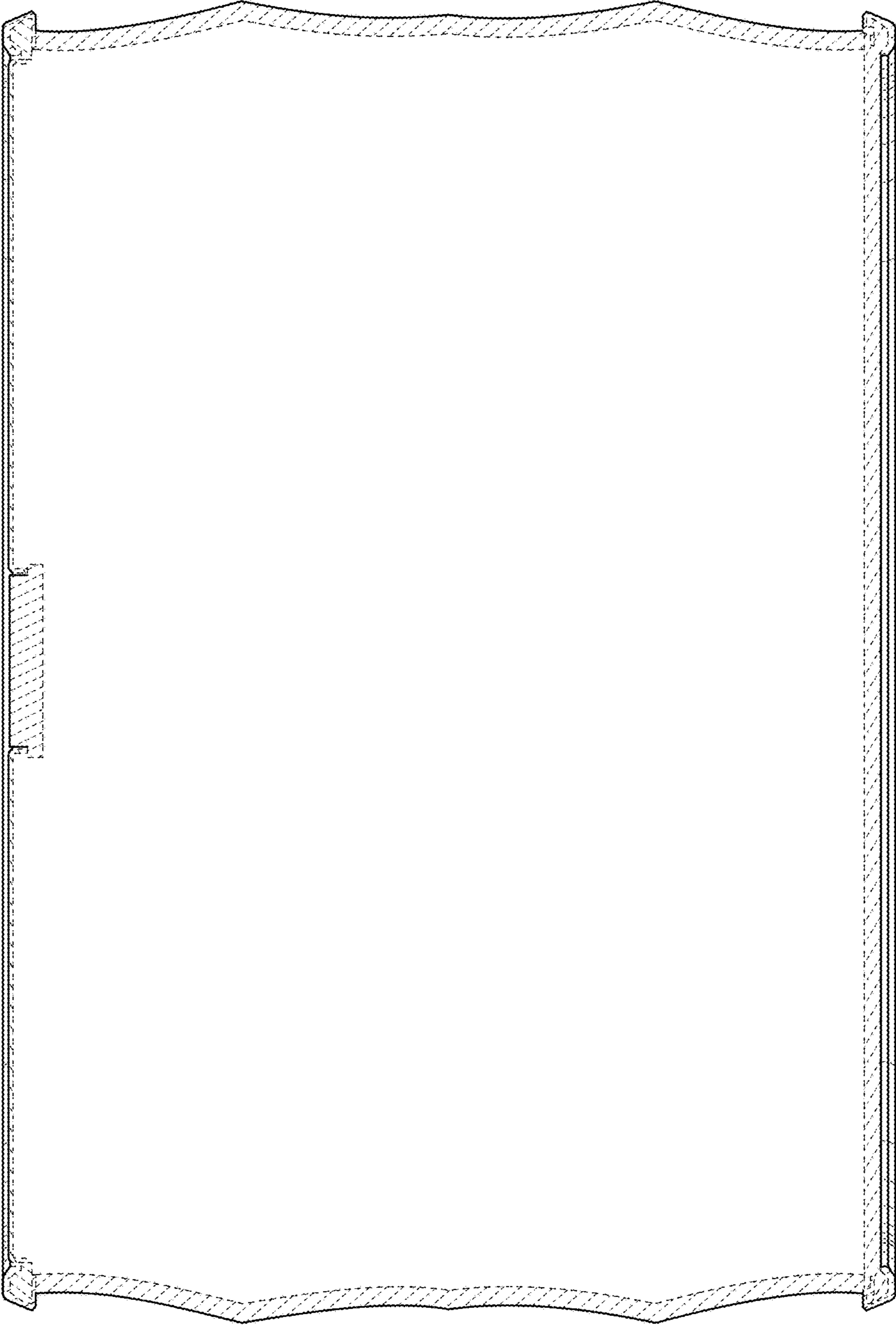


FIG. 7

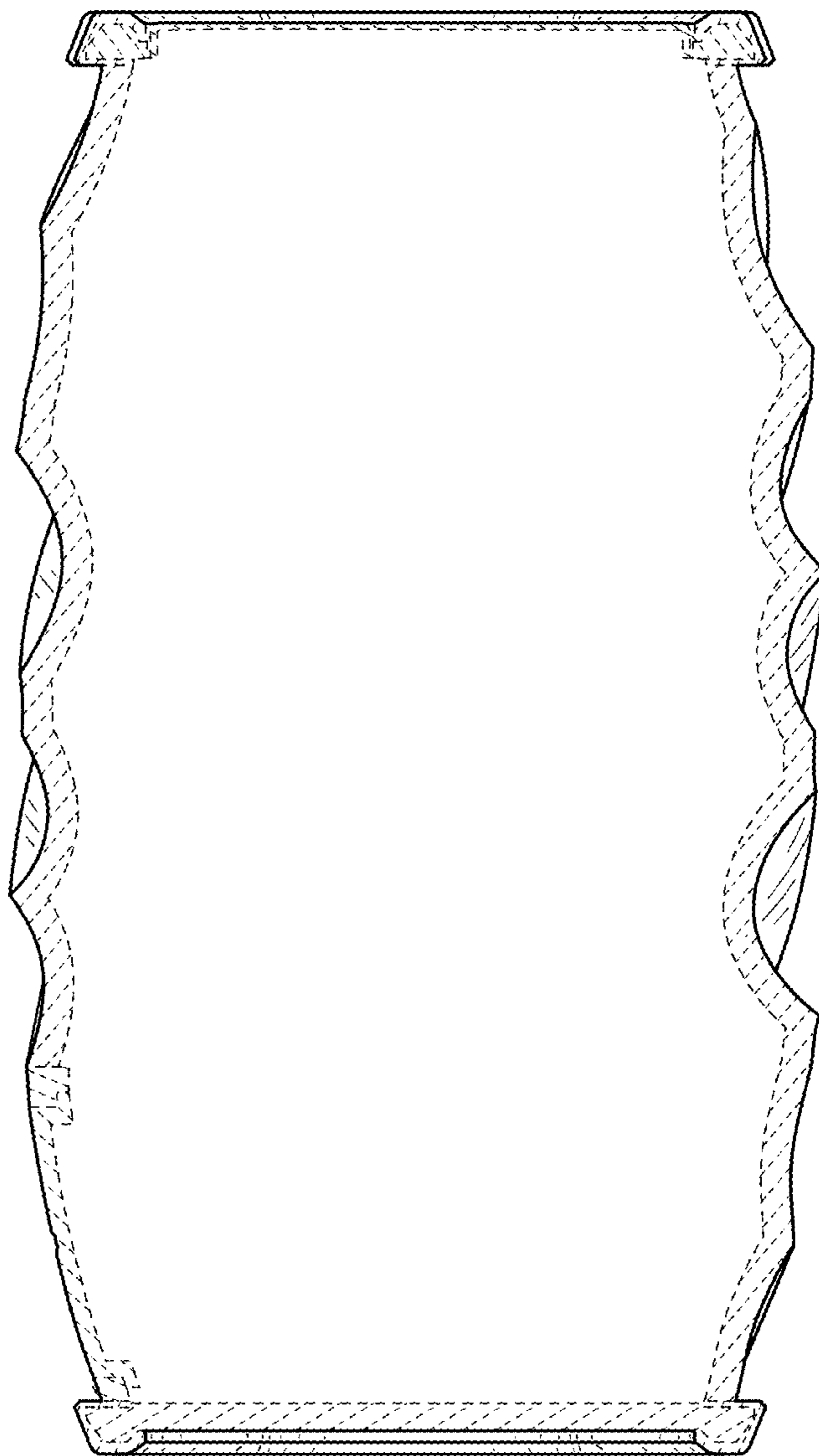


FIG. 8