



US00D817926S

(12) **United States Design Patent**  
**Warden**

(10) **Patent No.:** **US D817,926 S**

(45) **Date of Patent:** **\*\* May 15, 2018**

(54) **SPEAKER**

2400/00; H04R 2400/07; H04R 2499/11;  
H04R 2499/13; H04R 2499/15; H04S  
3/00; H04S 7/30

(71) Applicant: **Bose Corporation**, Framingham, MA  
(US)

See application file for complete search history.

(72) Inventor: **Robert A. Warden**, Southborough, MA  
(US)

(56) **References Cited**

(73) Assignee: **Bose Corporation**, Framingham, MA  
(US)

U.S. PATENT DOCUMENTS

(\*\*) Term: **15 Years**

D719,930 S	*	12/2014	Warden	.....	D14/214
D754,101 S	*	4/2016	McManigal	.....	D14/214
D754,628 S	*	4/2016	Baird	.....	D14/204
D771,018 S	*	11/2016	Espinosa	.....	D14/214

(21) Appl. No.: **29/562,073**

\* cited by examiner

(22) Filed: **Apr. 22, 2016**

*Primary Examiner* — Keli L Hill

(51) **LOC (11) Cl.** ..... **14-03**

(74) *Attorney, Agent, or Firm* — Bose Corporation

(52) **U.S. Cl.**

(57) **CLAIM**

USPC ..... **D14/214**

The ornamental design for a speaker, substantially as shown and described.

(58) **Field of Classification Search**

**DESCRIPTION**

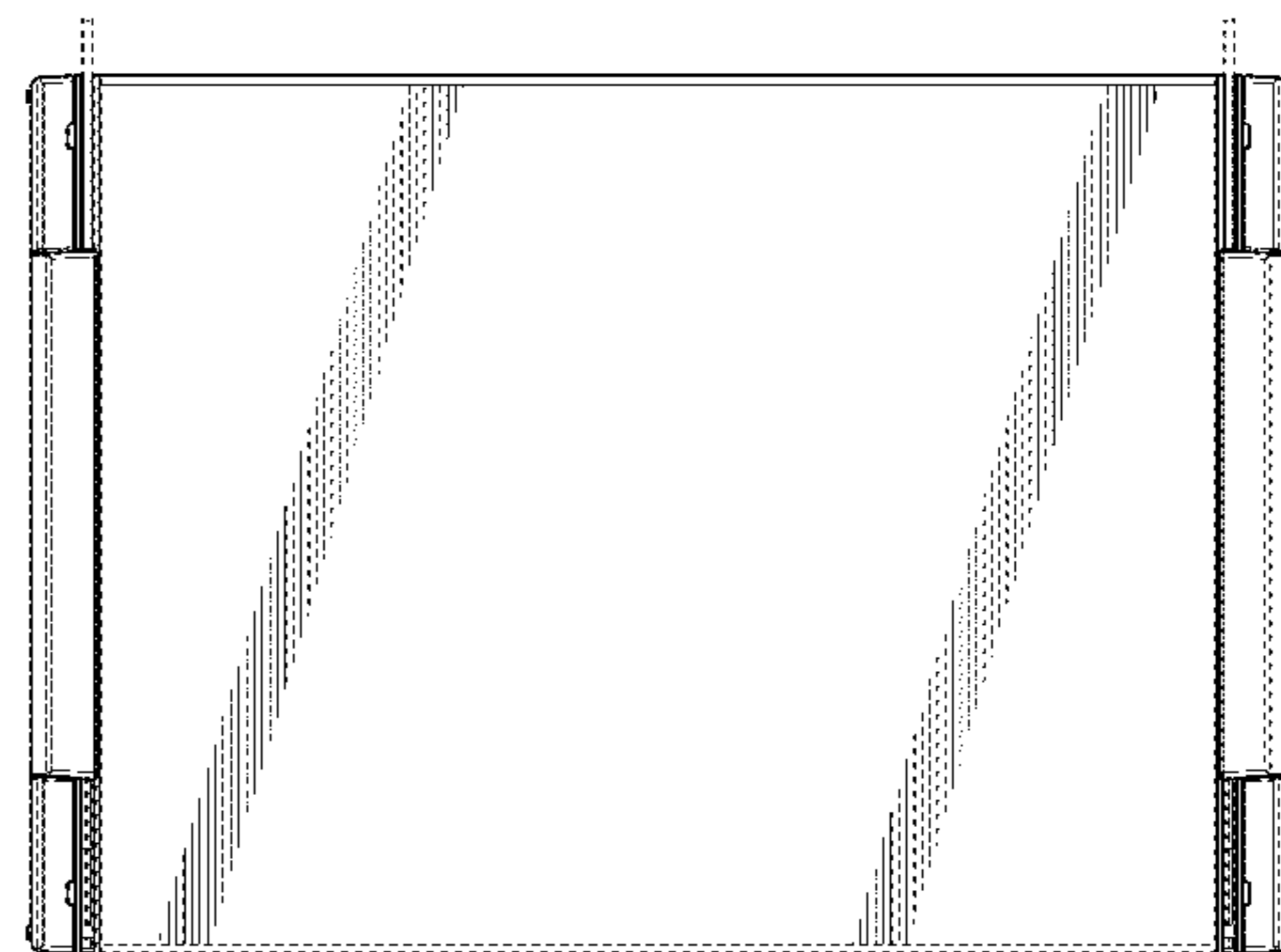
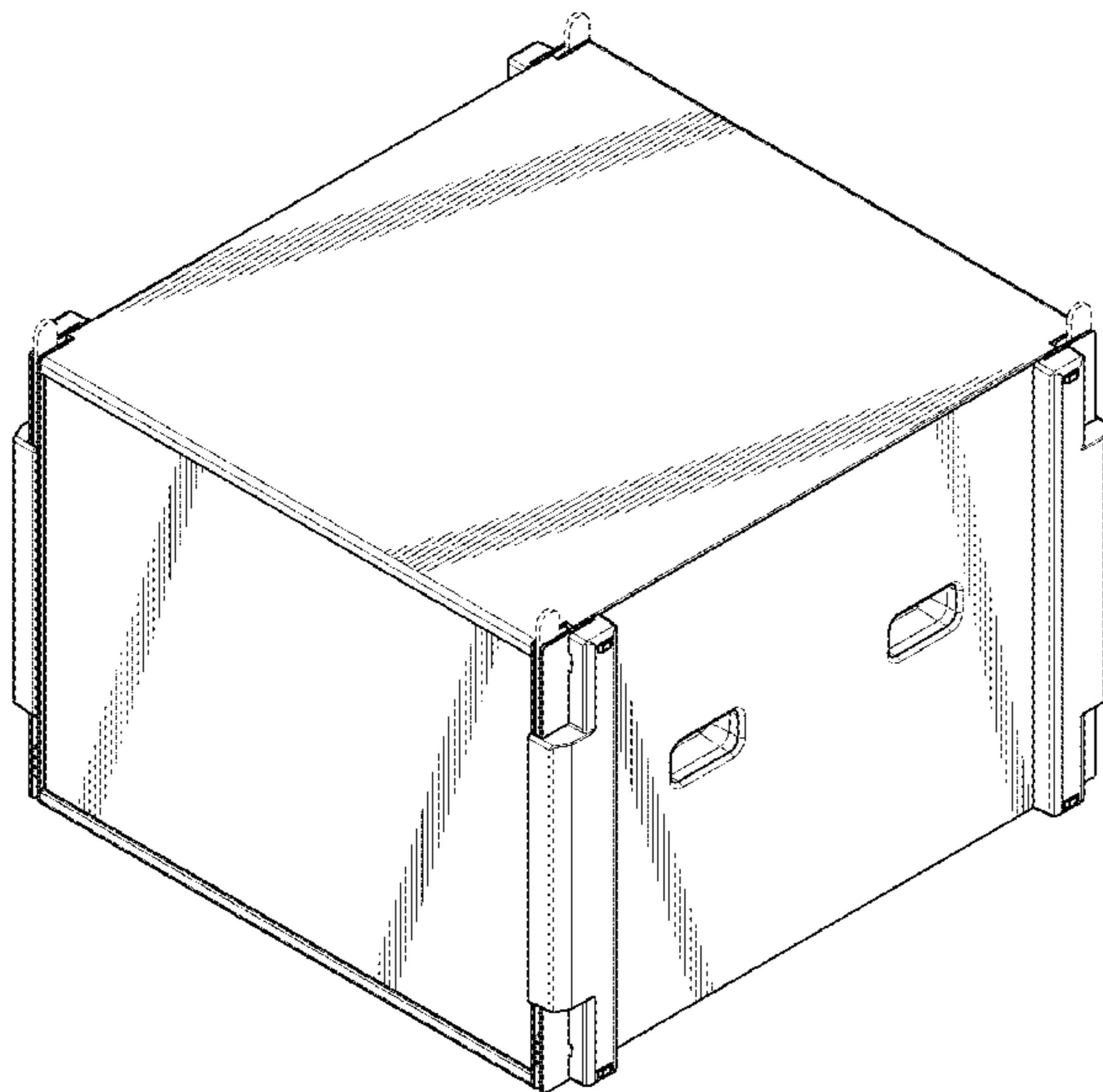
USPC ..... D14/167, 168, 170–172, 188, 194–196,  
D14/204, 207, 209.1, 210–216, 219, 221,  
D14/222, 224, 239, 496; 181/143, 144,  
181/147, 148, 150, 153, 157, 198, 199;  
381/300–303, 306, 332, 333, 336, 345,  
381/361–364, 386–388; 369/6–12

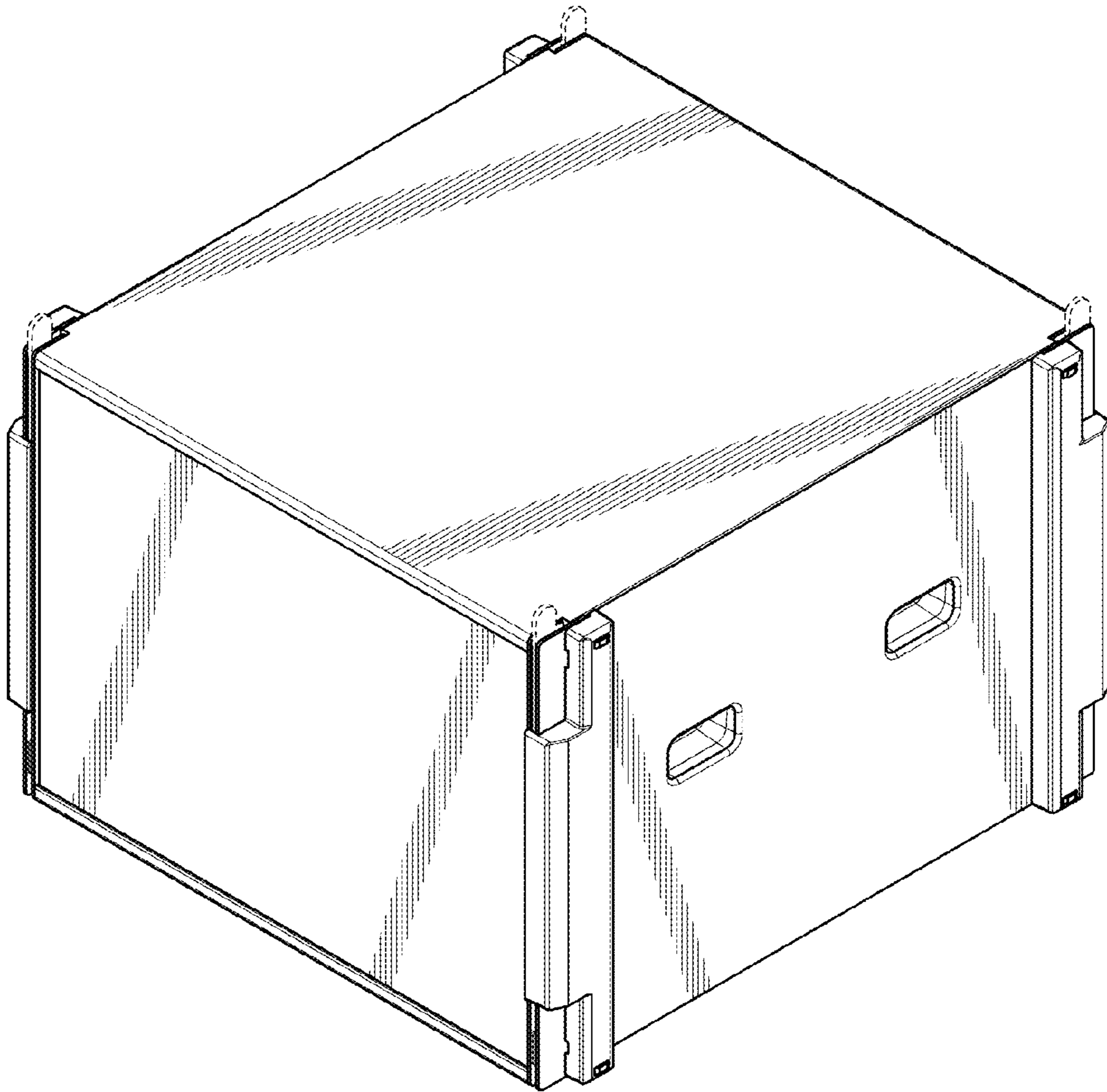
CPC ..... B60R 11/0217; G06F 1/1688; G10K 9/22;  
G10K 11/004; H03F 1/327; H04M 1/03;  
H04M 1/035; H04N 5/642; H04N  
21/4852; H04R 1/02; H04R 1/06; H04R  
1/021; H04R 1/025; H04R 1/026; H04R  
1/028; H04R 1/105; H04R 1/323; H04R  
1/403; H04R 1/2803; H04R 1/2834;  
H04R 5/02; H04R 7/20; H04R 9/06;  
H04R 9/025; H04R 2201/021; H04R

FIG. 1 is a perspective view of a speaker as seen from the front, top, and right side;  
FIG. 2 is a front view thereof;  
FIG. 3 is a back view thereof;  
FIG. 4 is a top view thereof;  
FIG. 5 is a bottom view thereof;  
FIG. 6 is a left side view thereof; and,  
FIG. 7 is a right side view thereof.

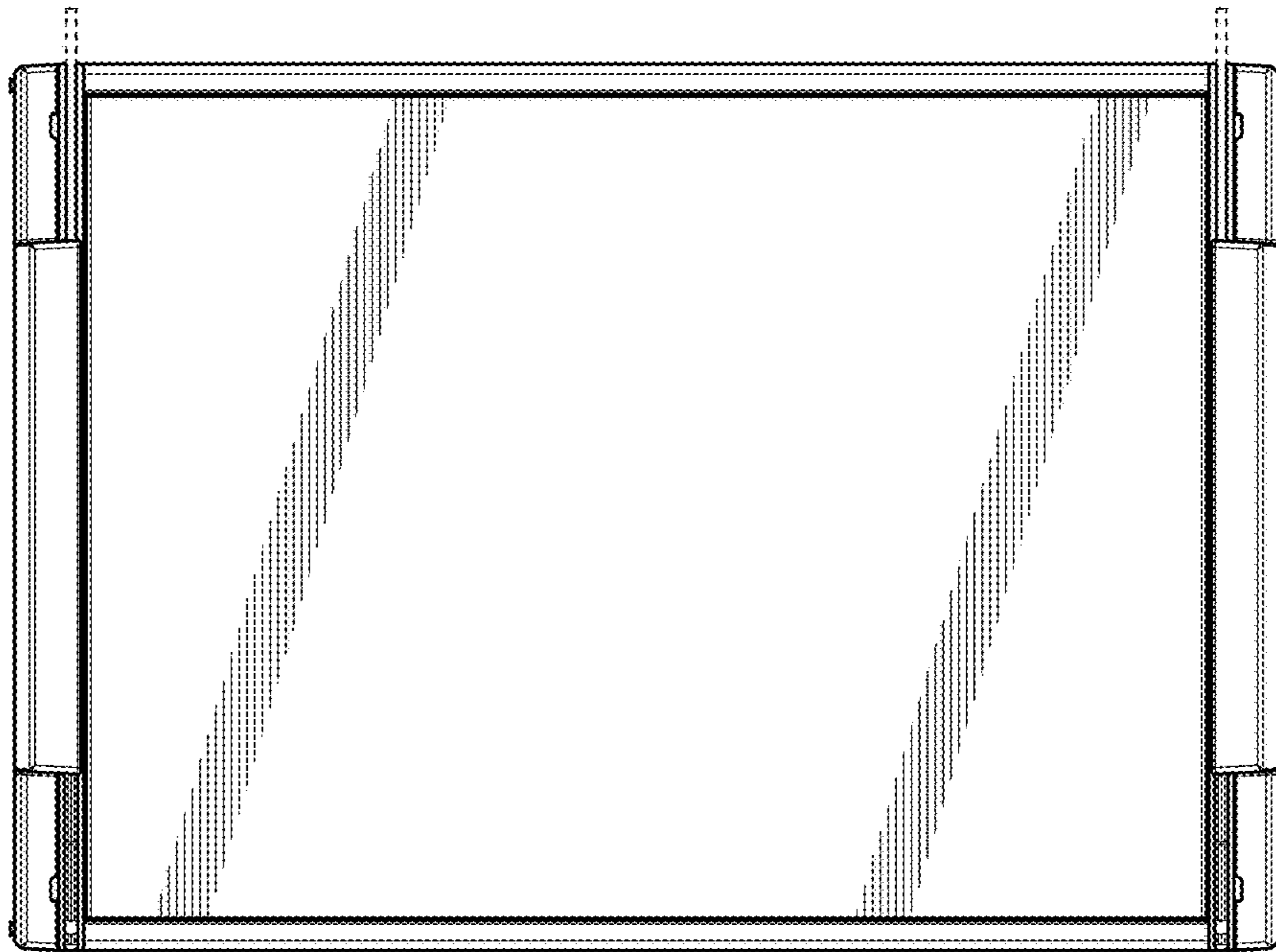
The dotted line portions of the drawings, if any, represent environmental structure only and do not form part of the claimed design.

**1 Claim, 5 Drawing Sheets**

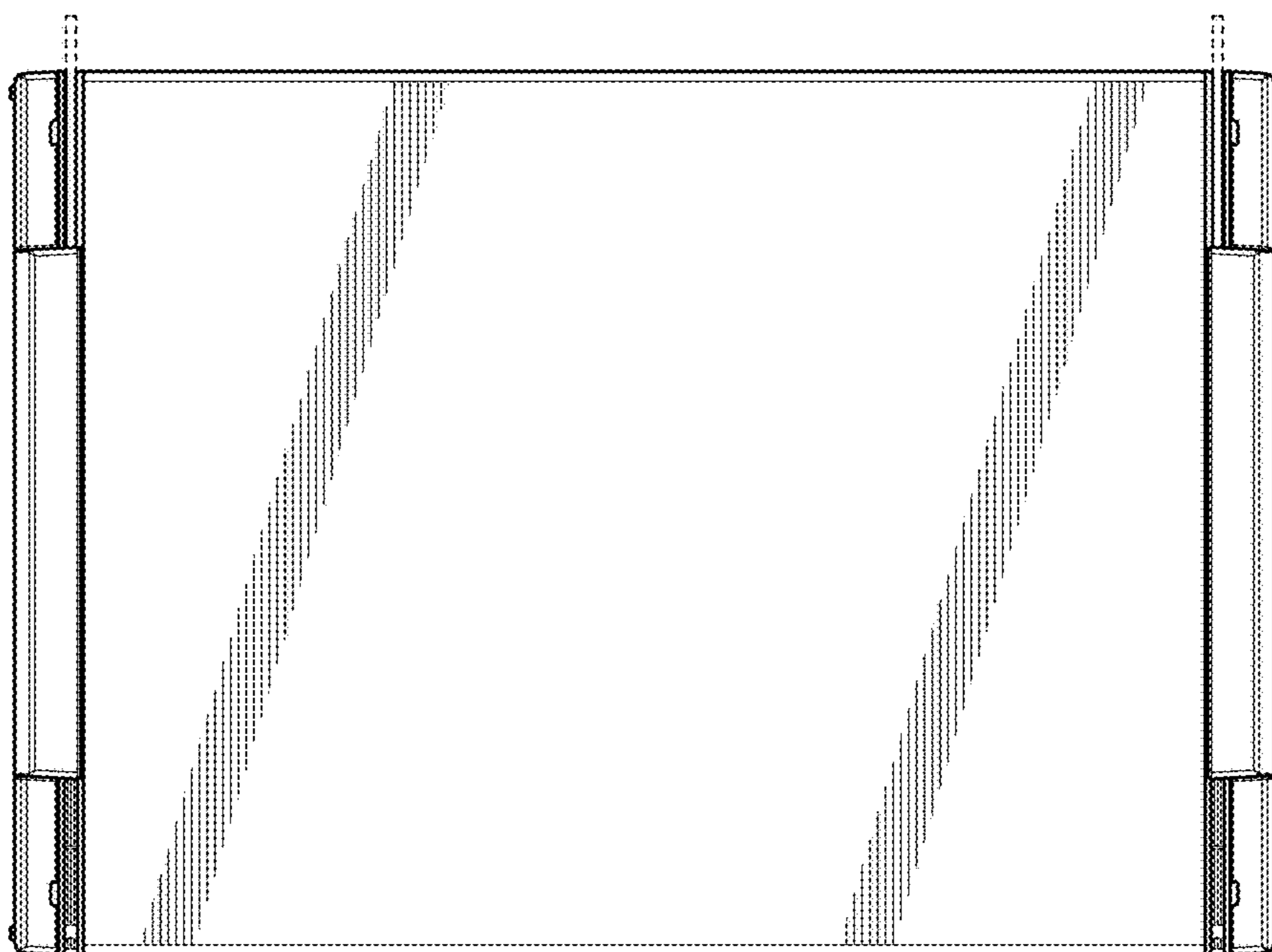




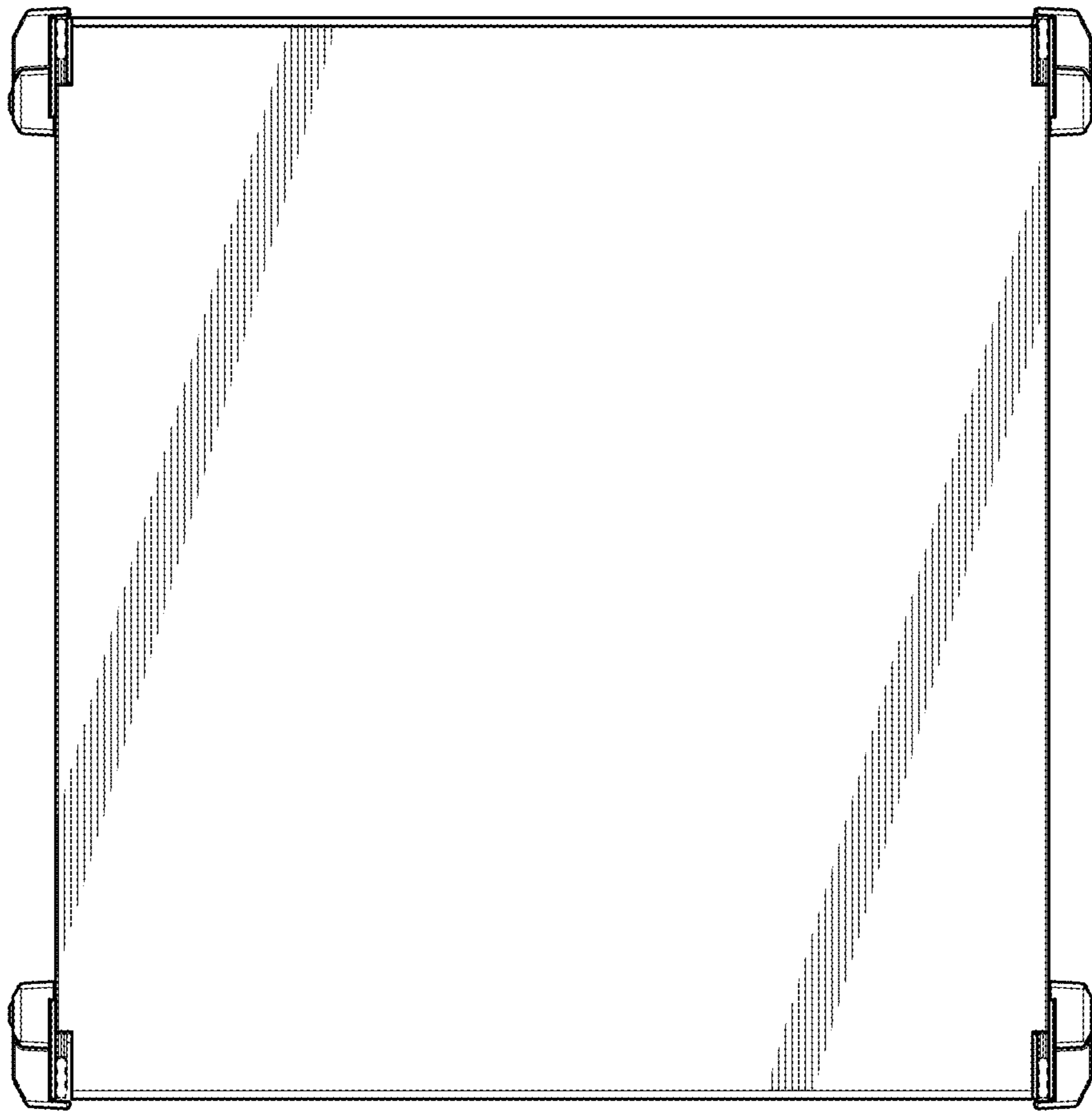
**FIG. 1**



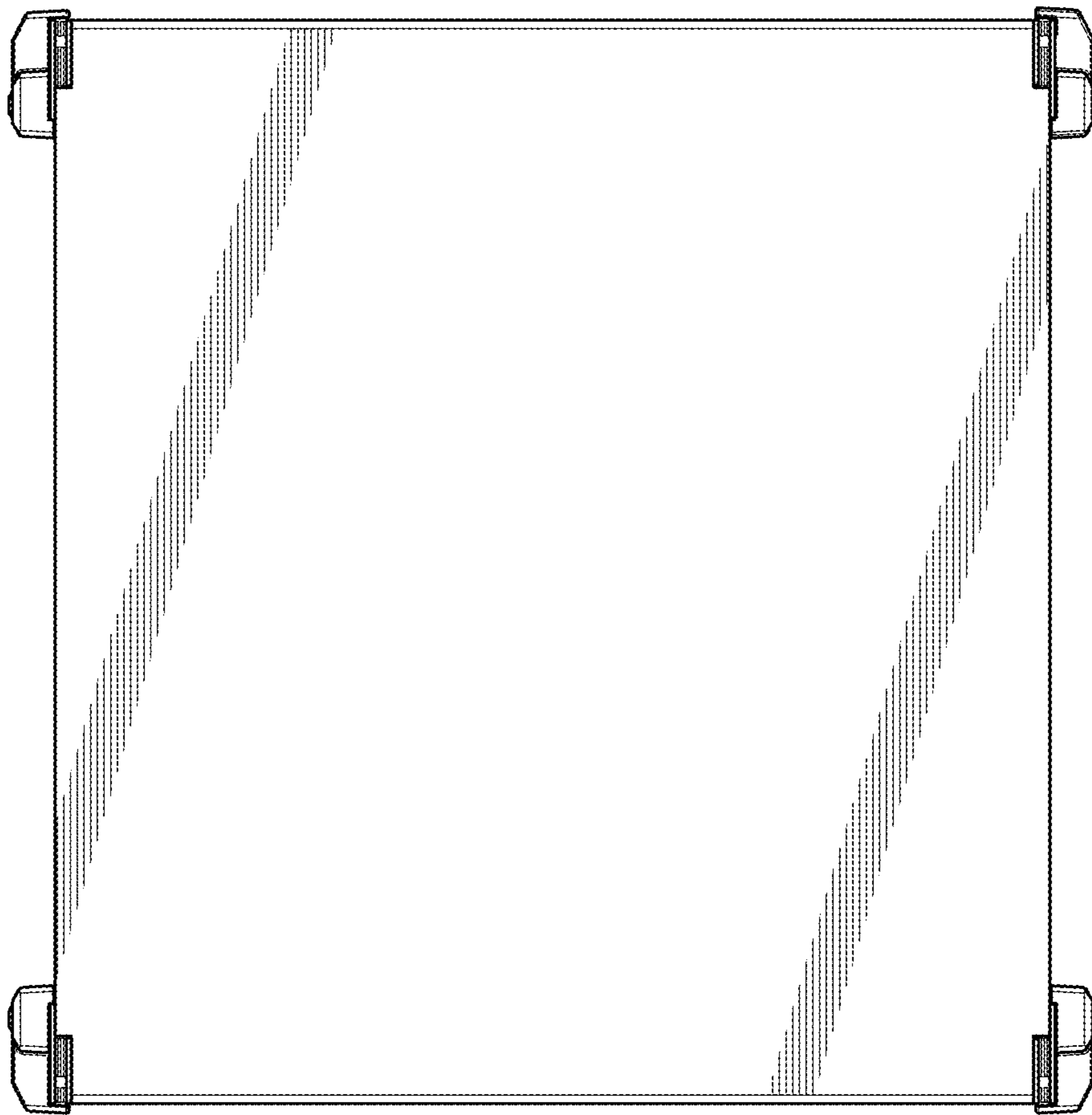
**FIG. 2**



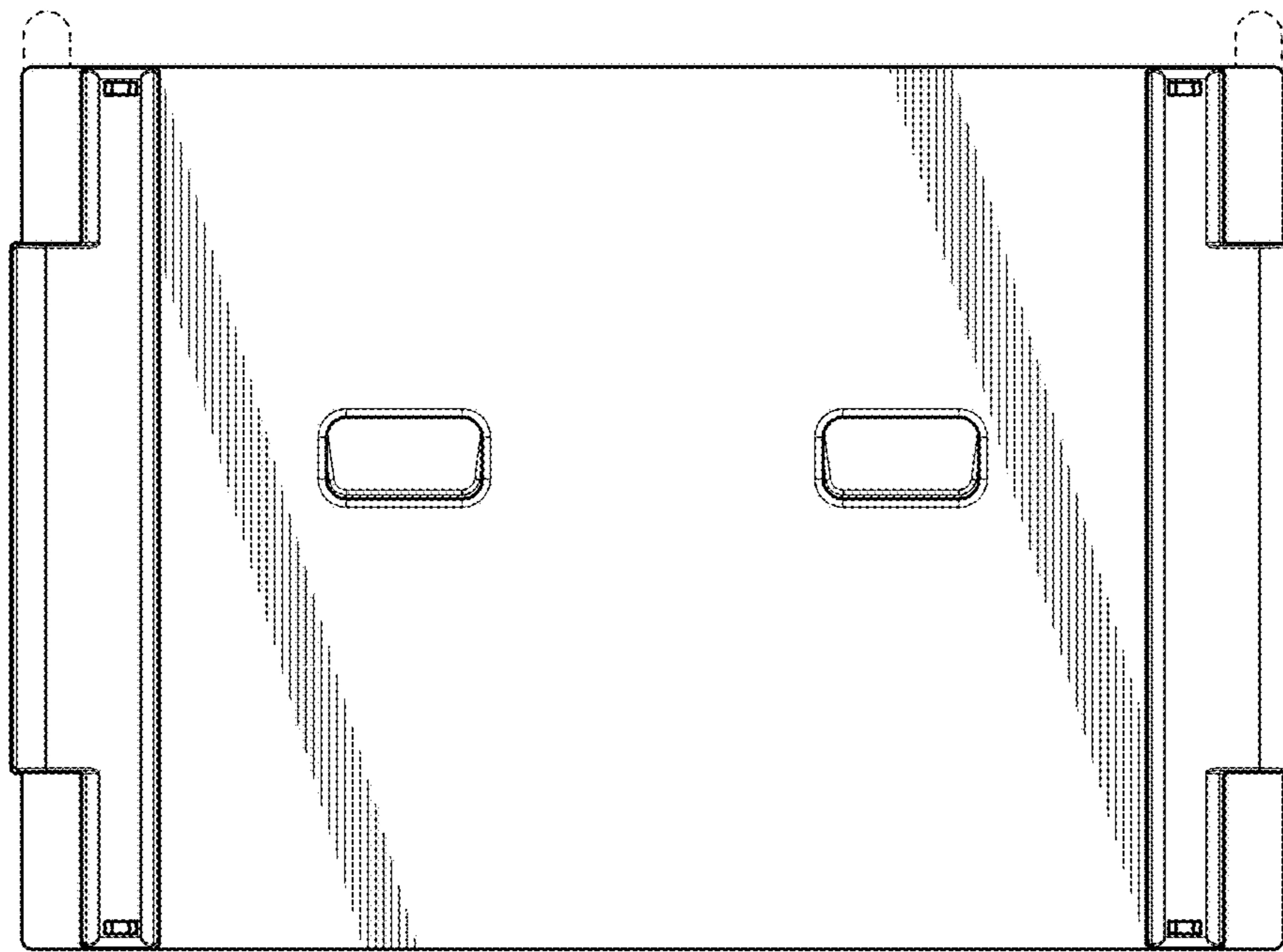
**FIG. 3**



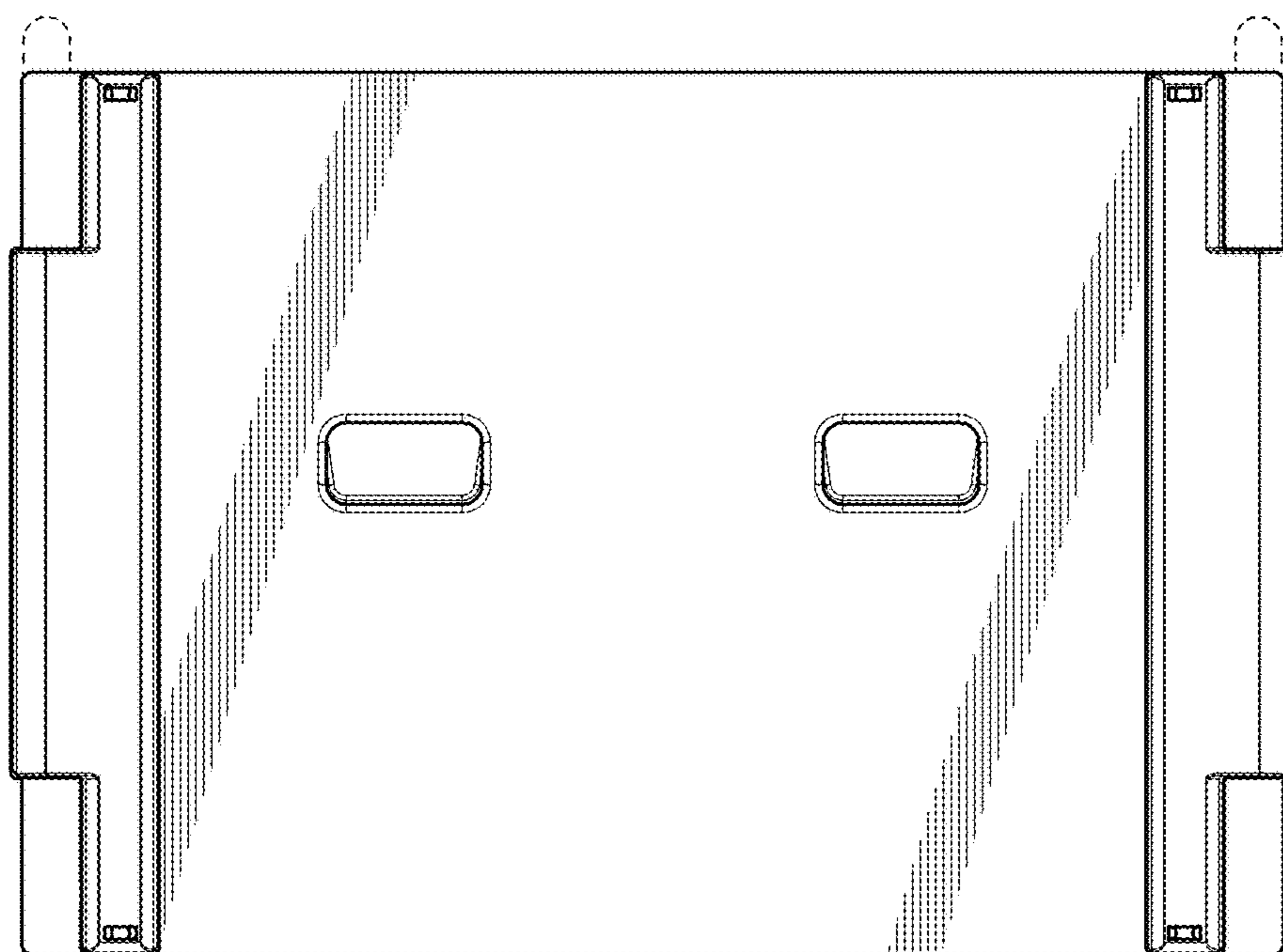
**FIG. 4**



**FIG. 5**



**FIG. 6**



**FIG. 7**