

US00D817923S

(12) **United States Design Patent**
Hong et al.

(10) **Patent No.:** **US D817,923 S**
(45) **Date of Patent:** **** May 15, 2018**

(54) **SPEAKER WITH LIGHTING**
(71) Applicant: **LG ELECTRONICS INC.**, Seoul (KR)
(72) Inventors: **Yoonjung Hong**, Seoul (KR); **Jayoan Kim**, Seoul (KR); **Jooheon Oh**, Seoul (KR); **Woojin Suh**, Seoul (KR)
(73) Assignee: **LG Electronics Inc.**, Seoul (KR)
(**) Term: **15 Years**
(21) Appl. No.: **35/501,761**
(22) Filed: **Apr. 22, 2016**
(80) **Hague Agreement Data**
Int. Filing Date: **Apr. 22, 2016**
Int. Reg. No.: **DM/090467**
Int. Reg. Date: **Apr. 22, 2016**
Int. Reg. Pub. Date: **Oct. 28, 2016**

(30) **Foreign Application Priority Data**
Oct. 30, 2015 (KR) 30-2015-0054960
(51) **LOC (11) Cl.** **14-01**
(52) **U.S. Cl.**
USPC **D14/211**; D26/52
(58) **Field of Classification Search**
USPC D14/207-216; D23/364, 370; D26/34, D26/51, 52
CPC ... H04R 1/02; H04R 1/20; H04R 1/34; H04R 1/28; H04N 5/232; H04N 5/225; G06K 9/00; A63H 33/04; A63J 21/00; F21V 33/0056
See application file for complete search history.

(56) **References Cited**
U.S. PATENT DOCUMENTS
1,587,096 A * 6/1926 Wheeler H04R 1/028
181/177
1,844,680 A * 2/1932 Rau H04R 1/028
181/141

D198,390 S * 6/1964 Meccariello D26/52
3,194,952 A * 7/1965 Wells F21S 8/088
181/141
3,679,891 A * 7/1972 Quack F21S 8/088
220/327
4,293,899 A * 10/1981 Sanner F21V 29/004
362/294
4,365,237 A * 12/1982 Knight G08B 7/06
200/61.03
D312,889 S * 12/1990 Swadell D26/68
D369,226 S * 4/1996 Yuen D14/168
5,995,634 A * 11/1999 Zwolski H04R 1/028
181/155
6,345,685 B1 * 2/2002 Wells H04R 1/028
181/153
6,769,509 B2 * 8/2004 Harwood H04R 1/323
181/198

(Continued)

Primary Examiner — Mary Ann Calabrese
Assistant Examiner — Jennifer L Rempfer
(74) *Attorney, Agent, or Firm* — Birch, Stewart, Kolasch & Birch, LLP

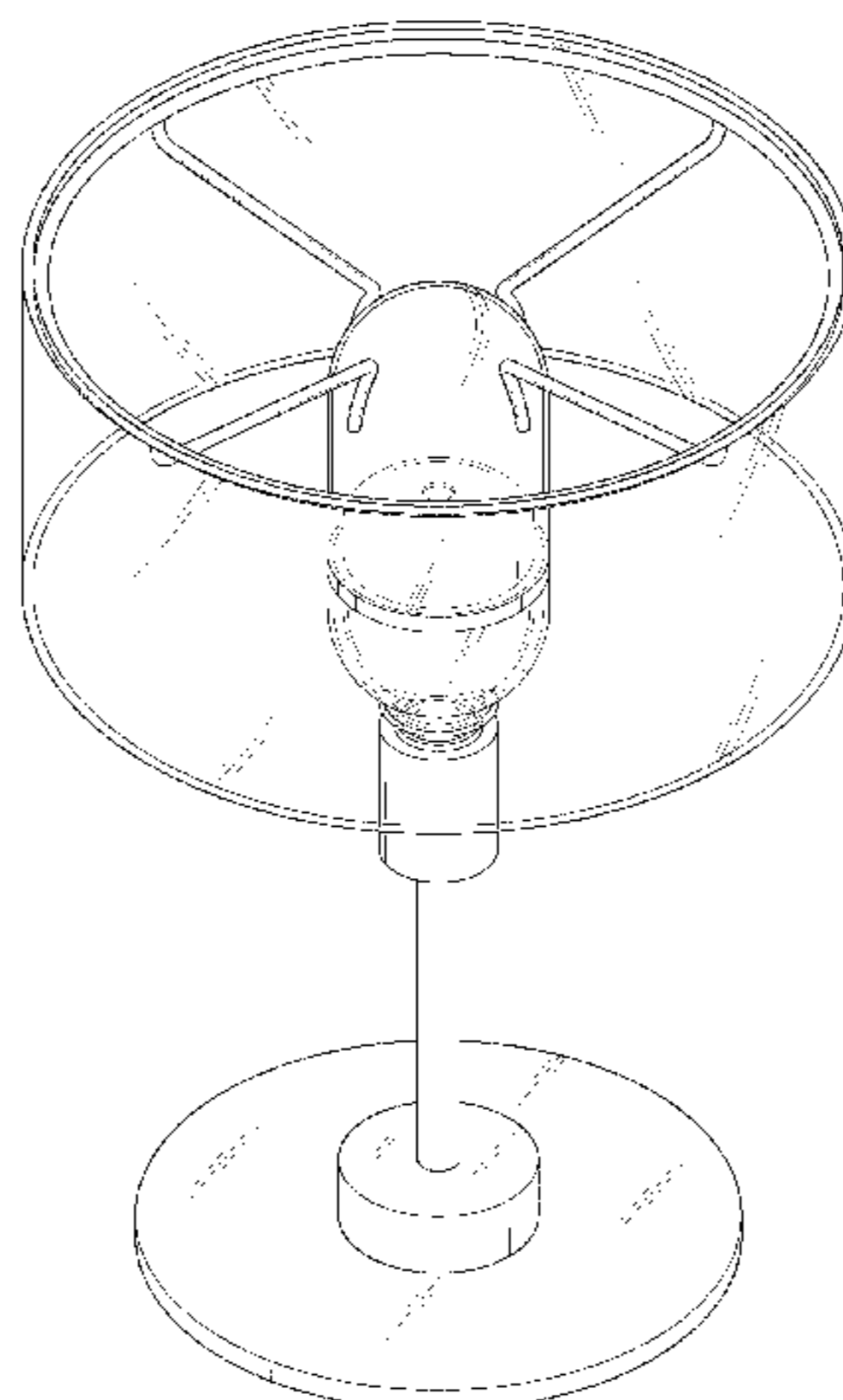
(57) **CLAIM**

The ornamental design for a speaker with lighting, as shown and described.

DESCRIPTION

1. Speaker with lighting
1.1 is a perspective view of a speaker with lighting showing our new design;
1.2 is a front elevation view thereof;
1.3 is a rear elevation view thereof;
1.4 is a left-side elevation view thereof;
1.5 is a right-side elevation view thereof;
1.6 is a top plan view thereof;
1.7 is a bottom plan view thereof; and
1.8 is a partially enlarged view of a portion of 1.1.

1 Claim, 8 Drawing Sheets



(56)

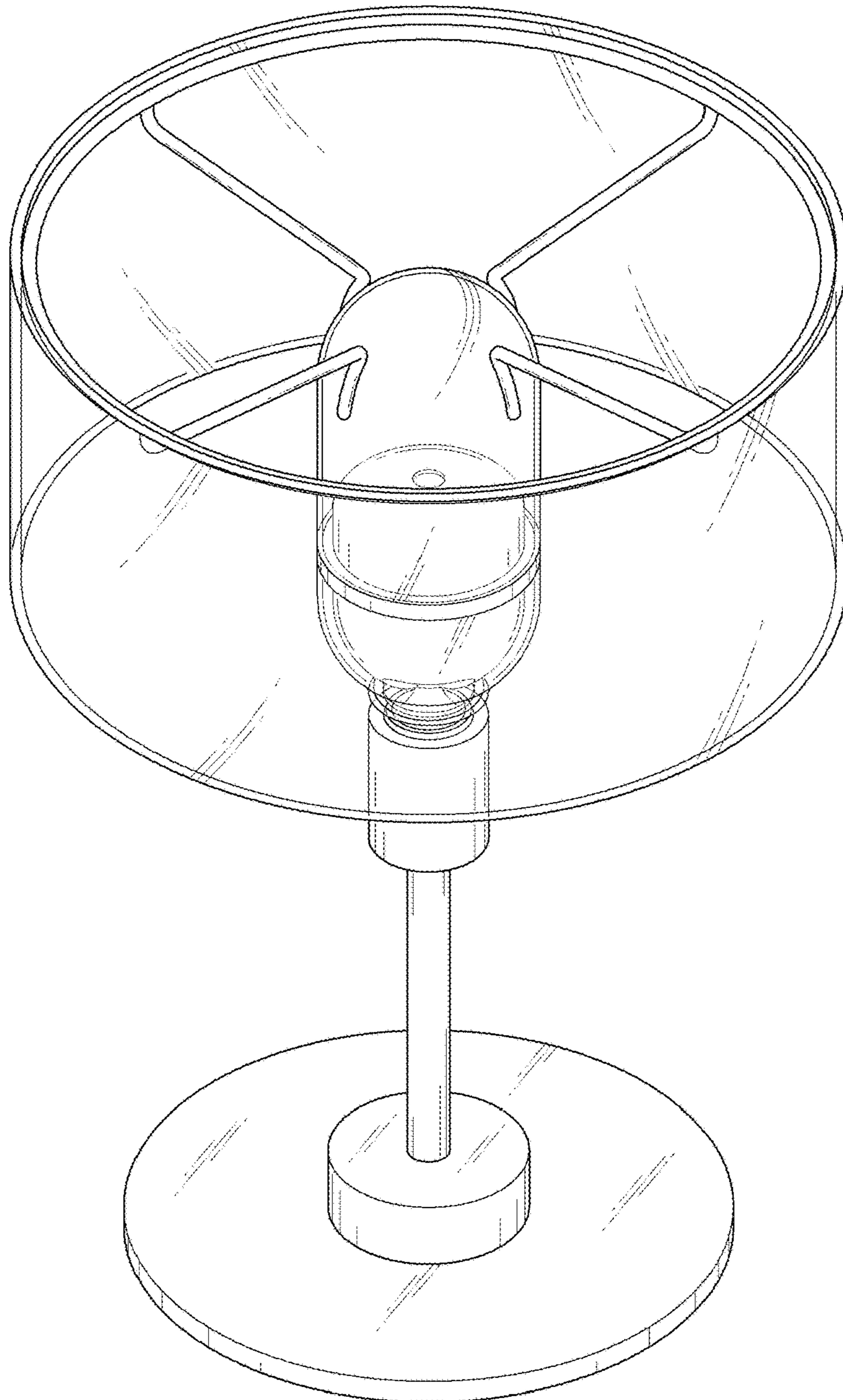
References Cited

U.S. PATENT DOCUMENTS

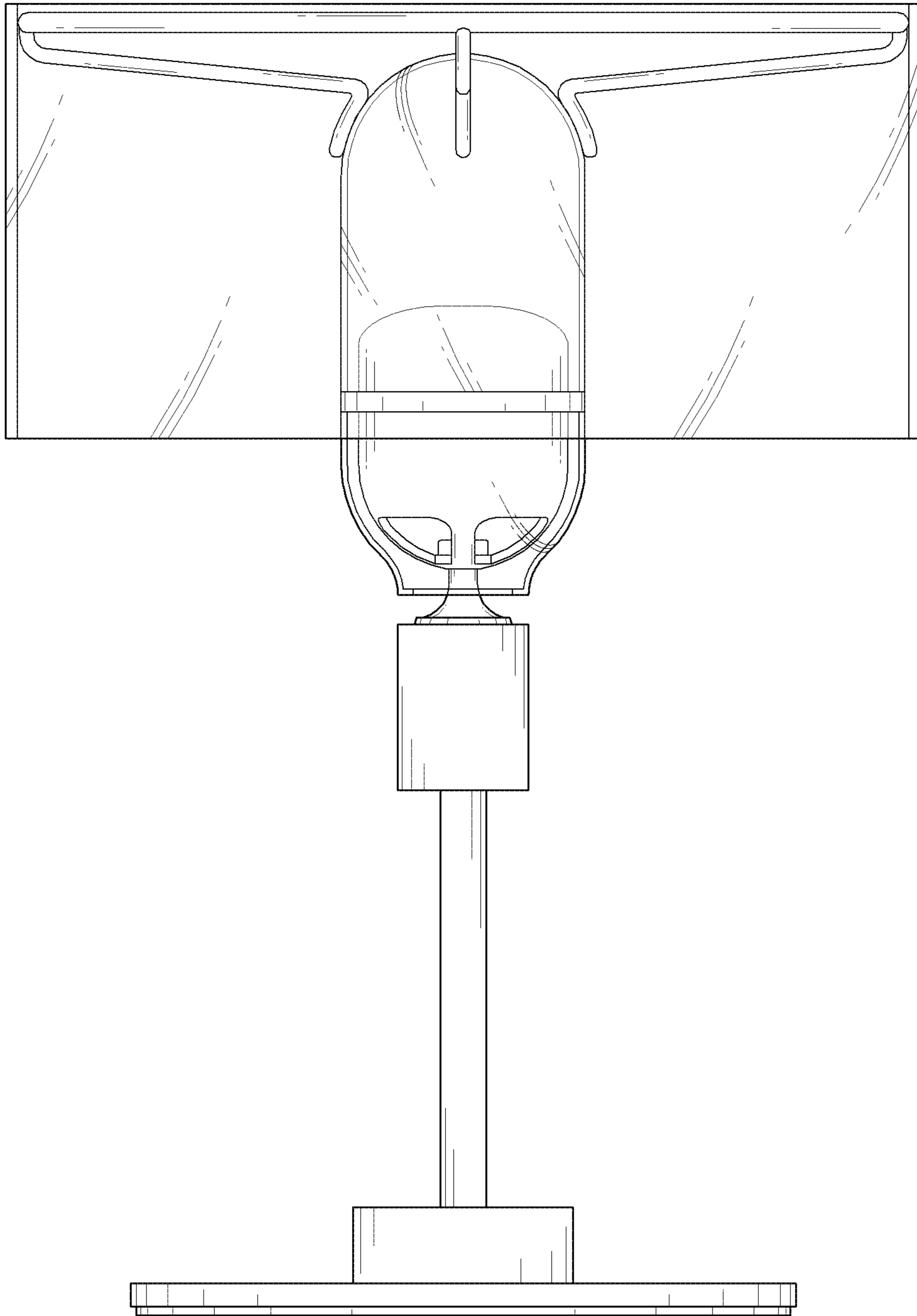
7,066,613 B2 * 6/2006 Vishwamitra A63J 17/00
 362/343
 D568,292 S * 5/2008 Tsuge D14/211
 D590,974 S * 4/2009 Chan D26/52
 7,535,341 B2 * 5/2009 Haase G08B 7/06
 340/326
 D596,775 S * 7/2009 Chan D26/52
 7,606,379 B2 * 10/2009 Ivey F21V 7/0008
 381/160
 D640,667 S * 6/2011 Lee D14/211
 D644,351 S * 8/2011 Hasse D26/2
 D659,674 S * 5/2012 Fathollahi D14/211
 8,299,903 B2 * 10/2012 Haase F21V 33/0056
 315/209 R
 D711,353 S * 8/2014 Szymanski D14/216
 D724,570 S * 3/2015 Kusano D14/224
 9,052,076 B2 * 6/2015 Peters F21S 10/00
 9,155,975 B2 * 10/2015 Capriola H01R 33/92
 D743,378 S * 11/2015 Kim D14/213
 D769,843 S * 10/2016 Sadhwani D14/207
 D772,457 S * 11/2016 Lee D26/52
 D783,000 S * 4/2017 Koo D14/209.1
 D788,065 S * 5/2017 Sabatino D13/139.4
 D791,735 S * 7/2017 Kalyuzhny D14/209.1
 9,765,959 B2 * 9/2017 Yim F21V 33/0056
 D798,836 S * 10/2017 Jung D14/210
 2004/0175014 A1 * 9/2004 Liu F21V 33/0056
 381/386

* cited by examiner

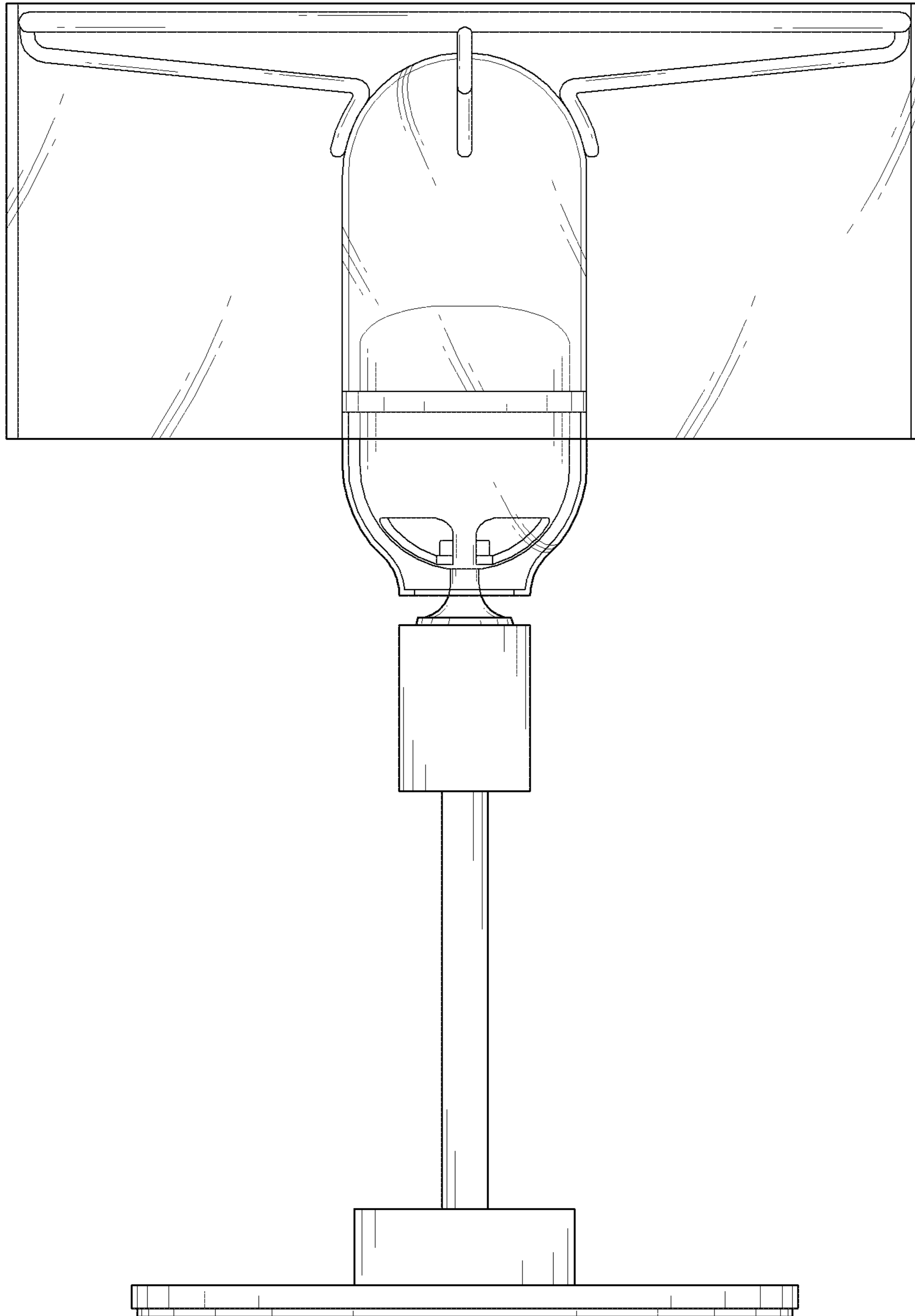
1.1



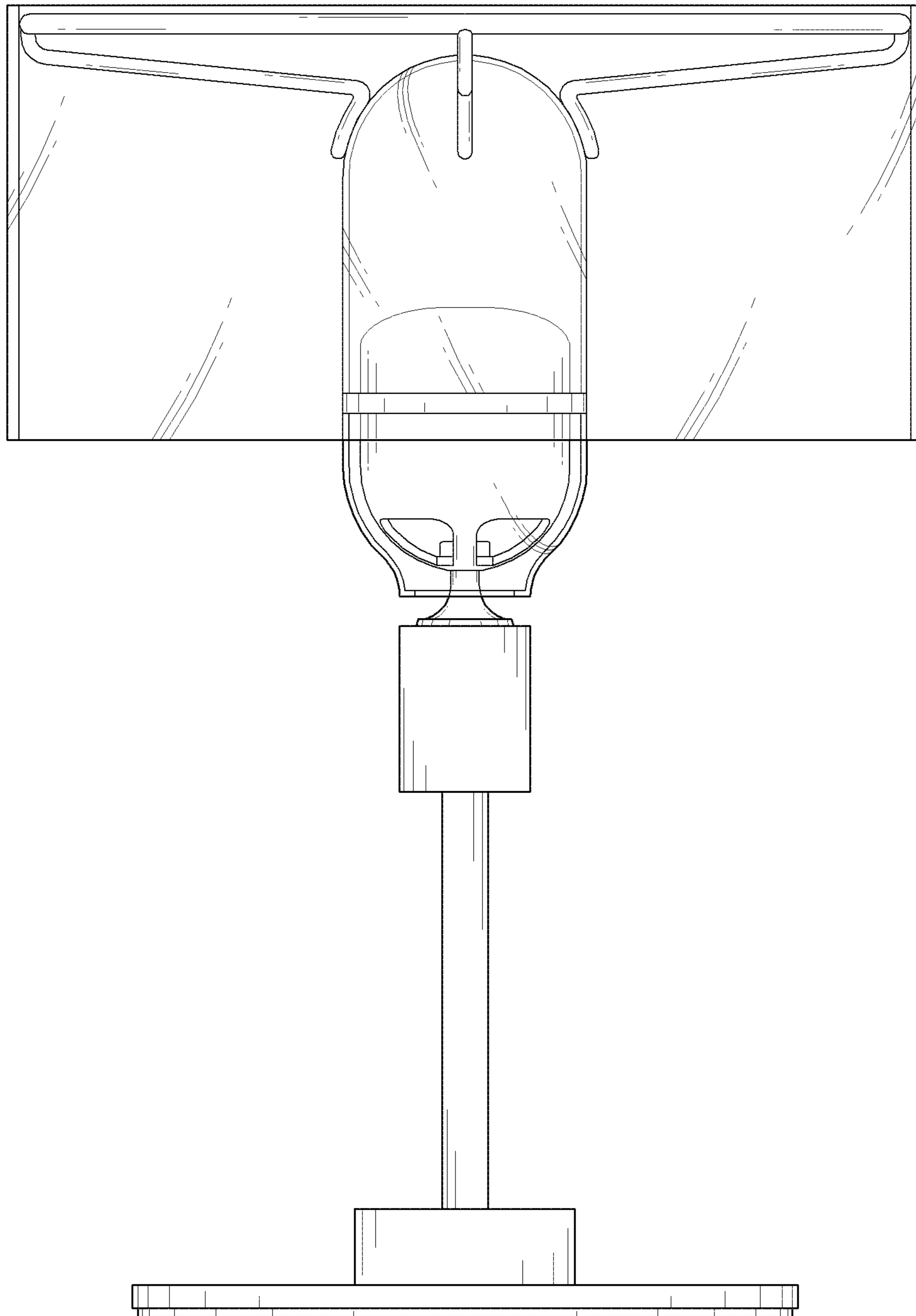
1.2



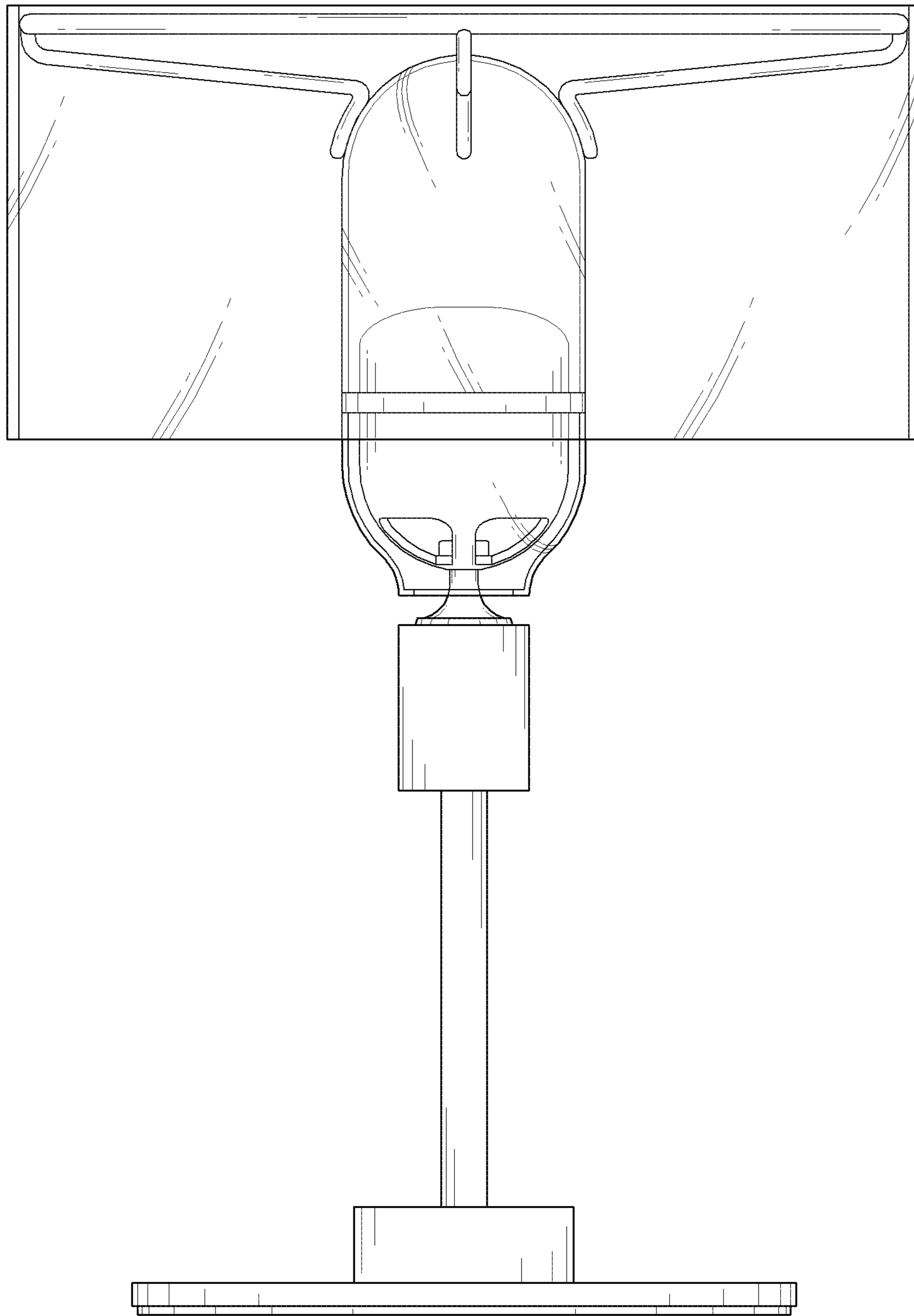
1.3



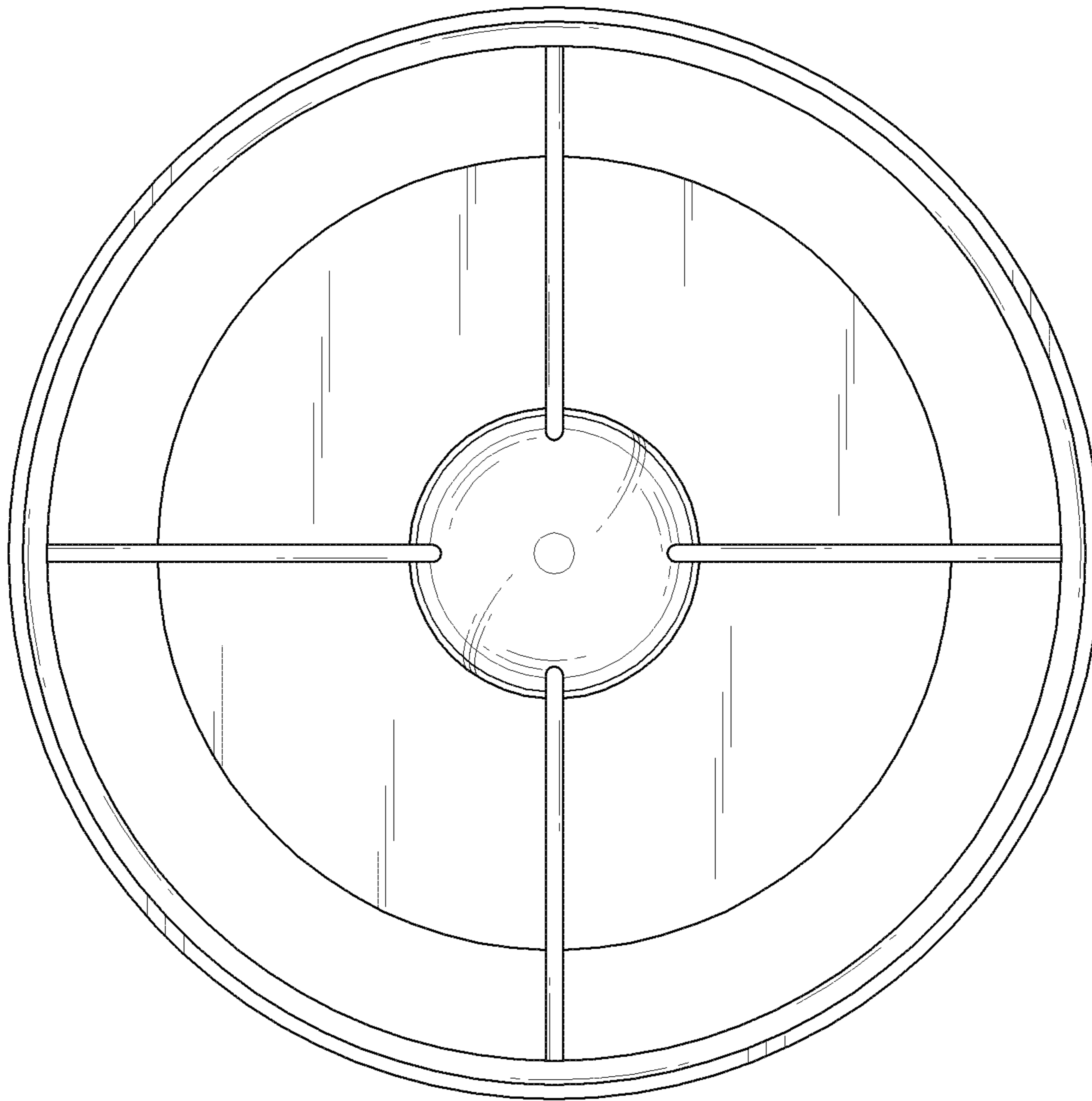
1.4



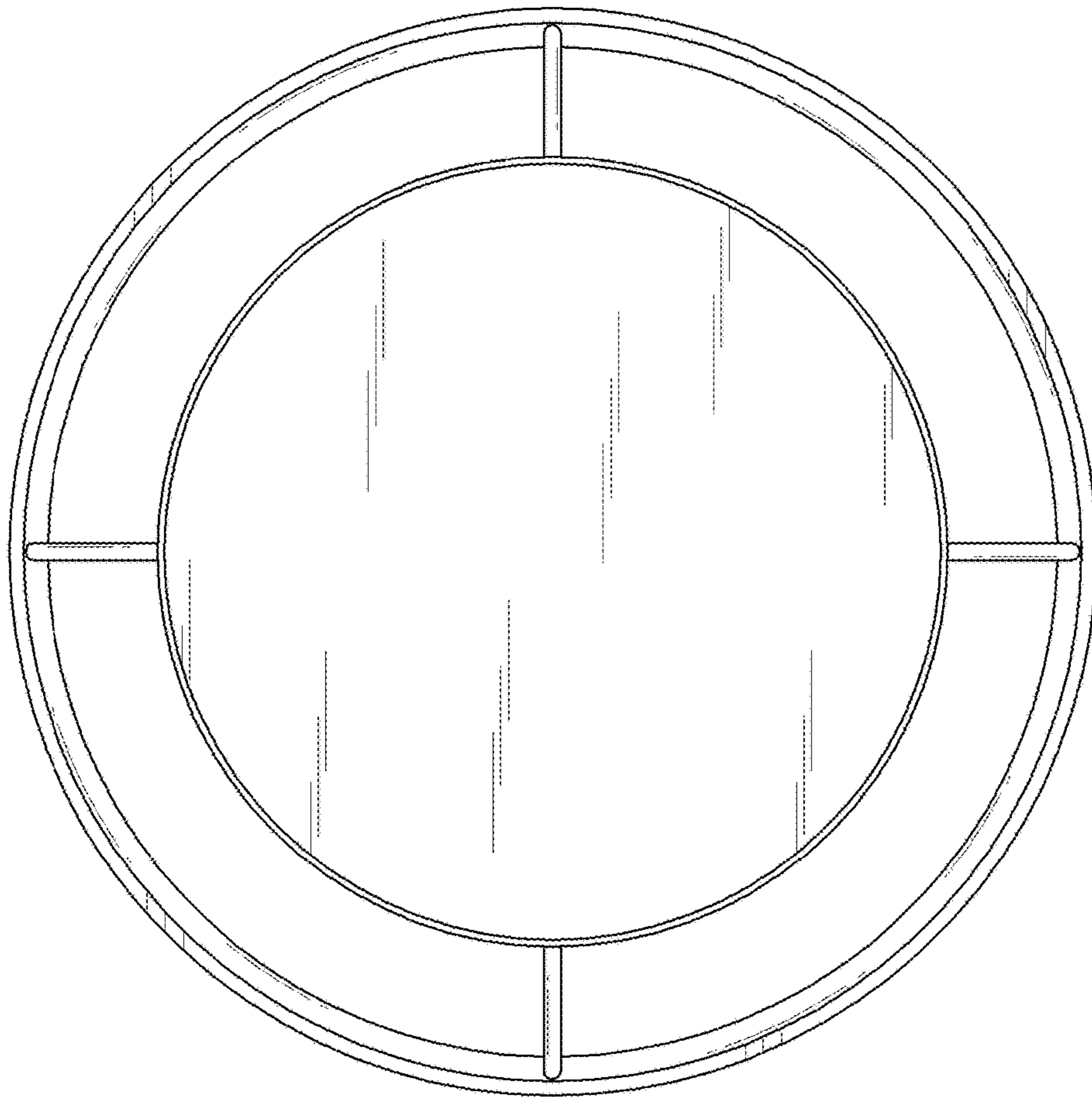
1.5



1.6



1.7



1.8

