

US00D817922S

(12) **United States Design Patent** (10) **Patent No.:** **US D817,922 S**
Hong et al. (45) **Date of Patent:** **** May 15, 2018**

(54) **SPEAKER WITH LIGHTING** 6,345,685 B1 * 2/2002 Wells H04R 1/028
181/153
(71) Applicant: **LG ELECTRONICS INC.**, Seoul 7,066,613 B2 * 6/2006 Vishwamitra A63J 17/00
(KR) 362/343
(72) Inventors: **Yoonjung Hong**, Seoul (KR); **Jayoen** D537,073 S * 2/2007 Peersman D14/213
Kim, Seoul (KR); **Jooheon Oh**, Seoul D568,292 S * 5/2008 Tsuge D14/211
(KR); **Woojin Suh**, Seoul (KR) D596,775 S * 7/2009 Chan D26/52
D634,870 S * 3/2011 Shen D14/204
D644,350 S * 8/2011 Hasse D26/2
D644,351 S * 8/2011 Hasse D26/2
(73) Assignee: **LG Electronics Inc.**, Seoul (KR) 8,013,719 B2 * 9/2011 Haase H04R 1/028
340/326

(**) Term: **15 Years**

(Continued)

(21) Appl. No.: **35/501,778**

Primary Examiner — Mary Ann Calabrese

(22) Filed: **Apr. 22, 2016**

Assistant Examiner — Jennifer L Rempfer

(80) **Hague Agreement Data**

(74) *Attorney, Agent, or Firm* — Birch, Stewart, Kolasch & Birch, LLP

Int. Filing Date: **Apr. 22, 2016**

Int. Reg. No.: **DM/090646**

Int. Reg. Date: **Apr. 22, 2016**

Int. Reg. Pub. Date: **Oct. 28, 2016**

(57) **CLAIM**

The ornamental design for a speaker with lighting, as shown and described.

(30) **Foreign Application Priority Data**

DESCRIPTION

Oct. 30, 2015 (KR) 30-2015-0054963

(51) **LOC (11) Cl.** **14-01**

(52) **U.S. Cl.** **D14/210; D26/52**
USPC **D14/210; D26/52**

(58) **Field of Classification Search**
USPC D14/207–216; D23/364, 370; D26/2,
D26/28, 34, 51, 52

CPC ... H04R 1/02; H04R 1/20; H04R 1/34; H04R
1/28; H04N 5/232; H04N 5/225; G06K
9/00; A63H 33/04; A63J 21/00; F21V
33/0056

See application file for complete search history.

1. Speaker with lighting
1.1 is a perspective view of a speaker with lighting, showing our new design;
1.2 is a front elevation view thereof;
1.3 is a rear elevation view thereof;
1.4 is a left-side elevation view thereof;
1.5 is a right-side elevation view thereof;
1.6 is a top plan view thereof;
1.7 is a bottom plan view thereof;
1.8 is another perspective view thereof, showing a first state of use;
1.9 is another perspective view thereof, showing a second state of use; and
1.10 is another perspective view thereof, showing a third state of use.

(56) **References Cited**

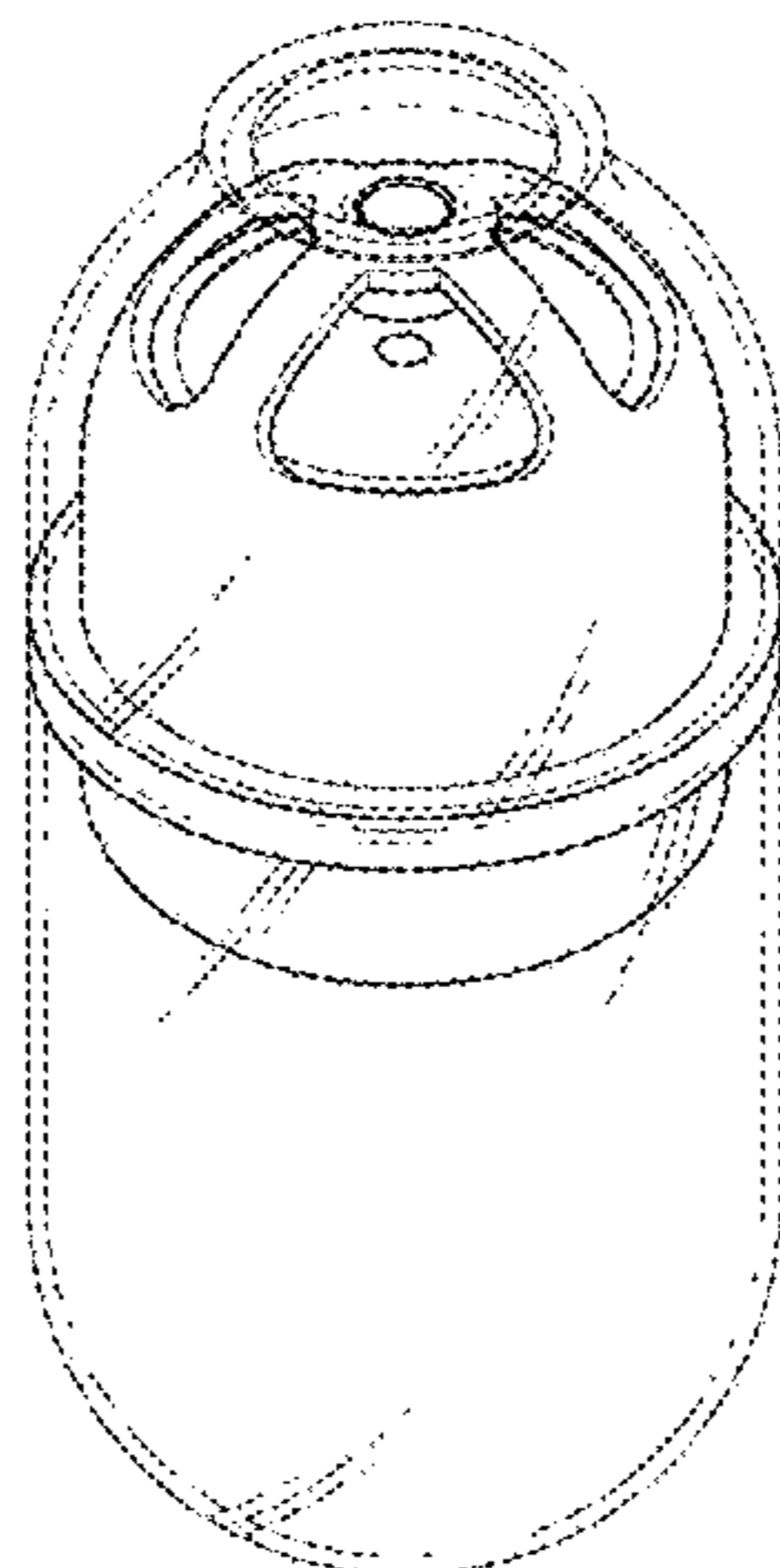
U.S. PATENT DOCUMENTS

5,995,634 A * 11/1999 Zwolski H04R 1/028
181/155

D445,516 S * 7/2001 Watanabe D26/28

The broken lines represent environment of the speaker with lighting that form no part of the claimed design.

1 Claim, 10 Drawing Sheets



(56)

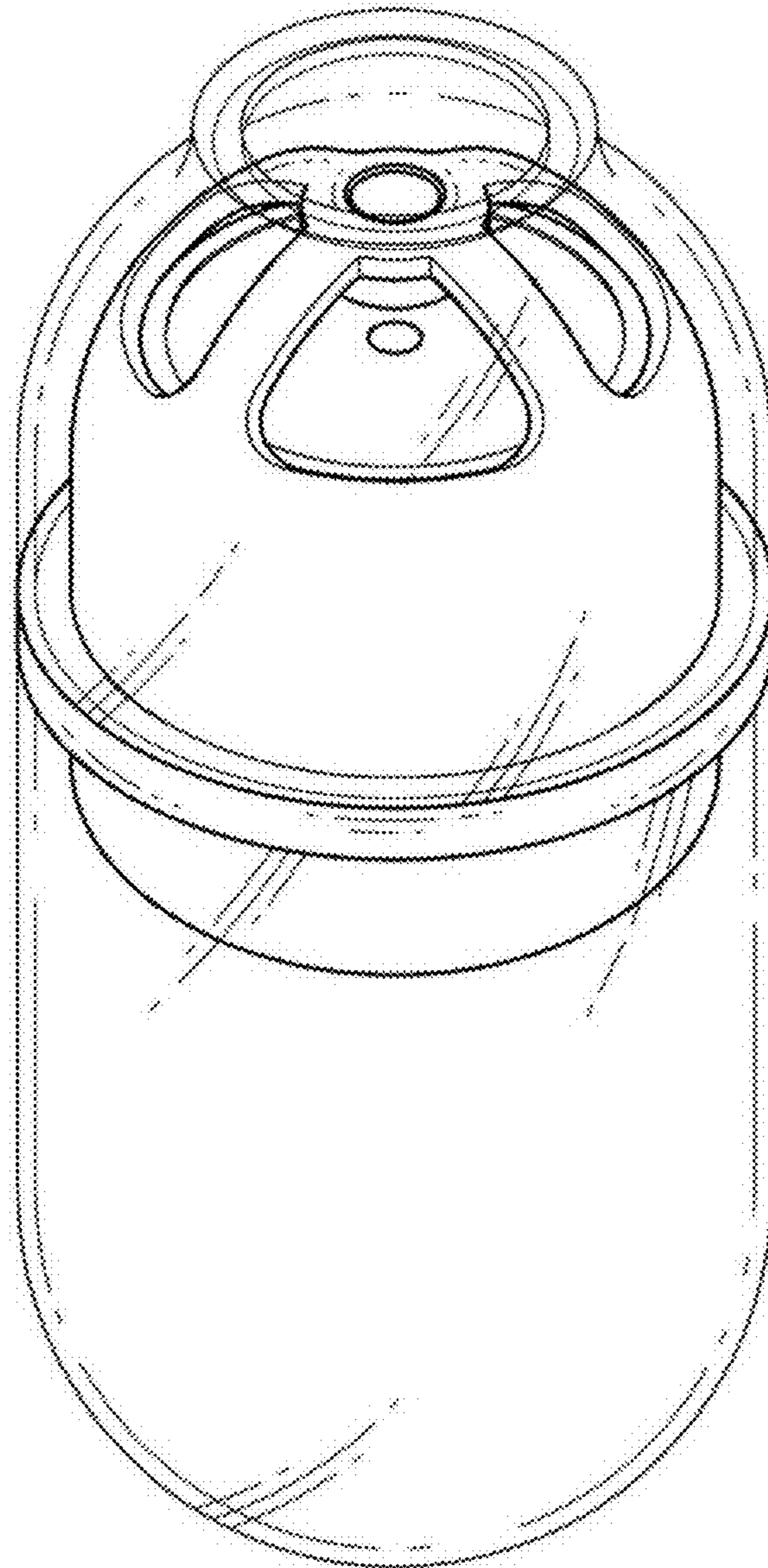
References Cited

U.S. PATENT DOCUMENTS

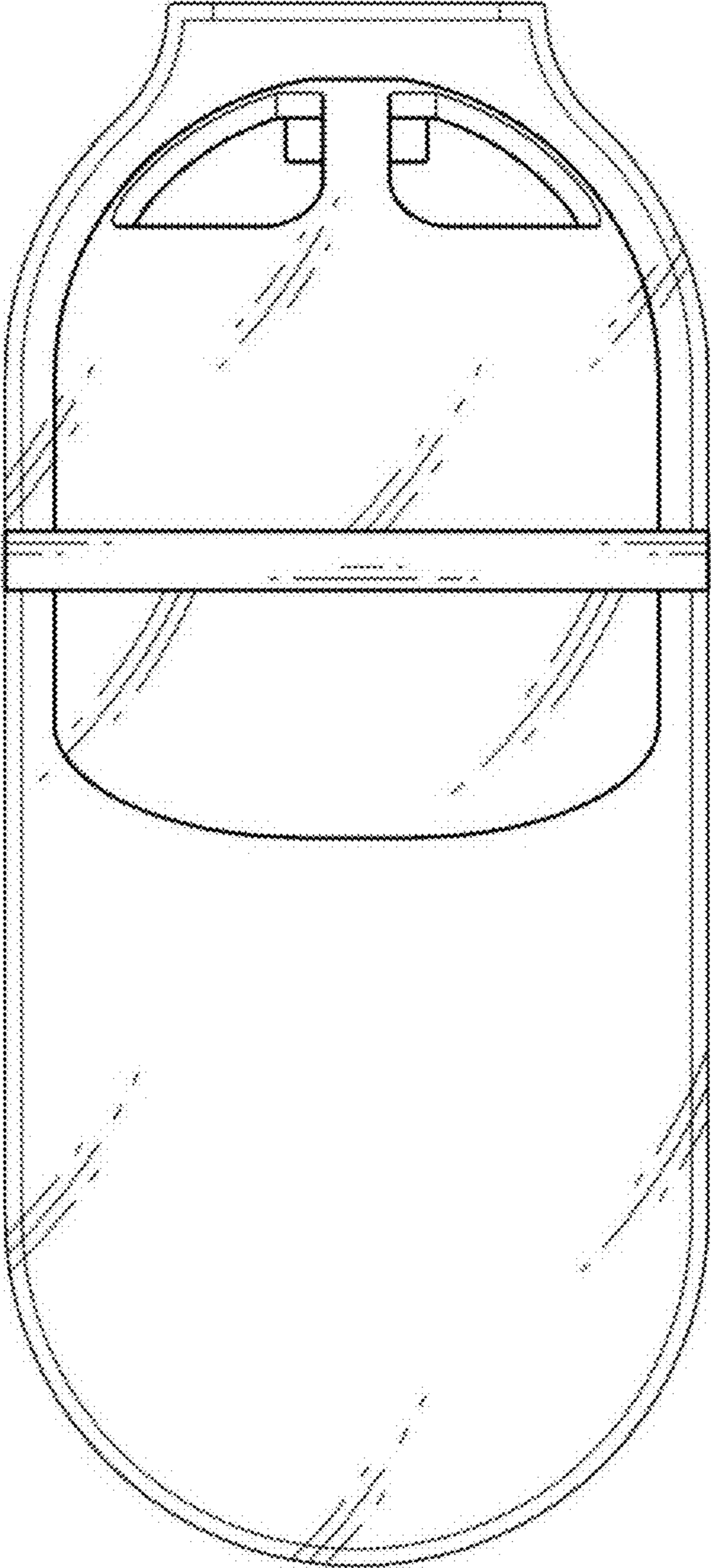
D647,507 S * 10/2011 Yuan D14/216
8,299,903 B2 * 10/2012 Haase F21V 33/0056
315/209 R
D703,184 S * 4/2014 Yokoyama D14/209.1
D711,353 S * 8/2014 Szymanski D14/216
9,408,282 B1 * 8/2016 Springer H05B 37/0272
D769,843 S * 10/2016 Sadhwani D14/207
D772,457 S * 11/2016 Lee D26/52
9,482,419 B2 * 11/2016 Yotsumoto F21V 33/0056
D780,160 S * 2/2017 Hinokio D14/215
D791,735 S * 7/2017 Kalyuzhny D14/209.1
9,750,118 B2 * 8/2017 Yotsumoto H05B 37/0272
D798,836 S * 10/2017 Jung D14/210
D800,373 S * 10/2017 Soni D26/118
9,784,417 B1 * 10/2017 Springer F21K 9/238
2004/0175014 A1 * 9/2004 Liu F21V 33/0056
381/386
2012/0104928 A1 * 5/2012 Huang F21S 8/035
313/318.01

* cited by examiner

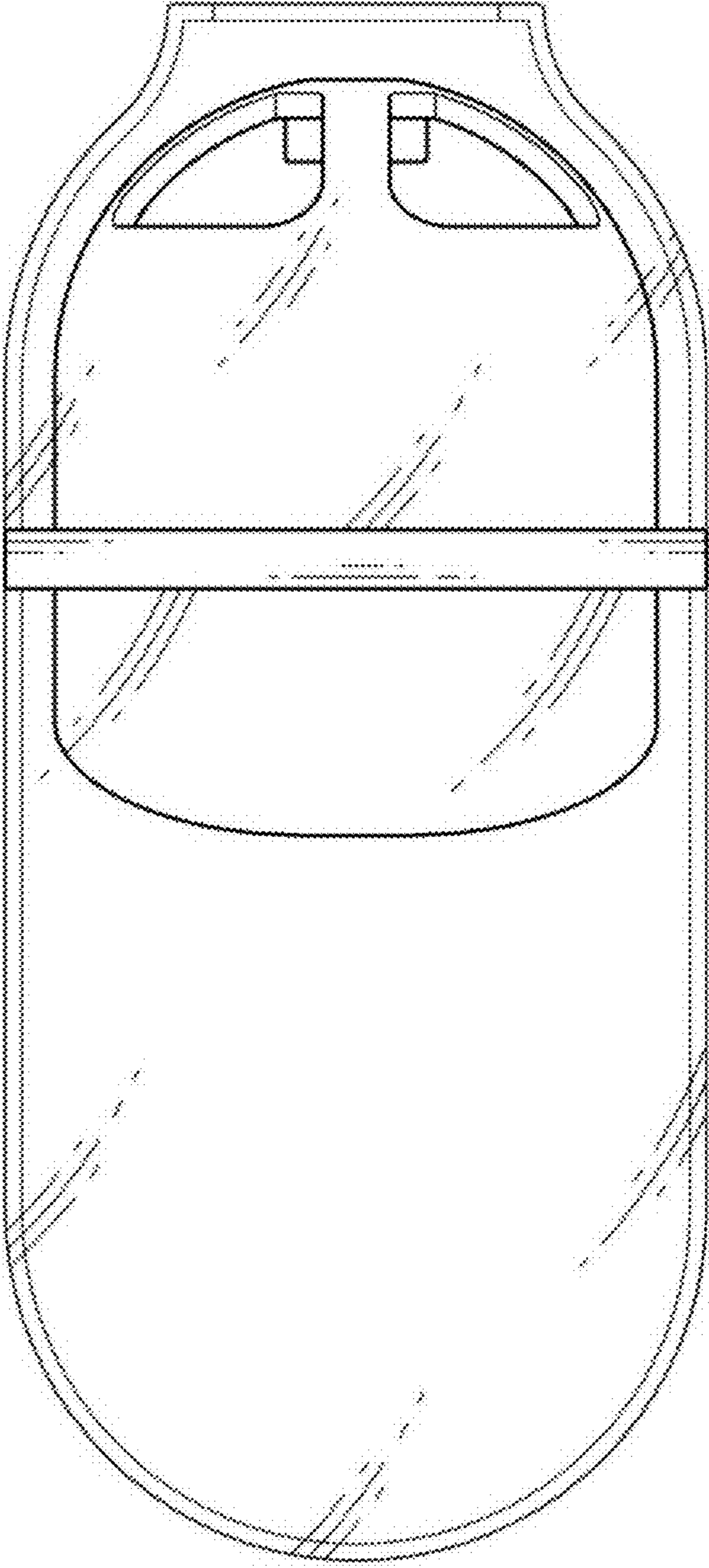
1.1



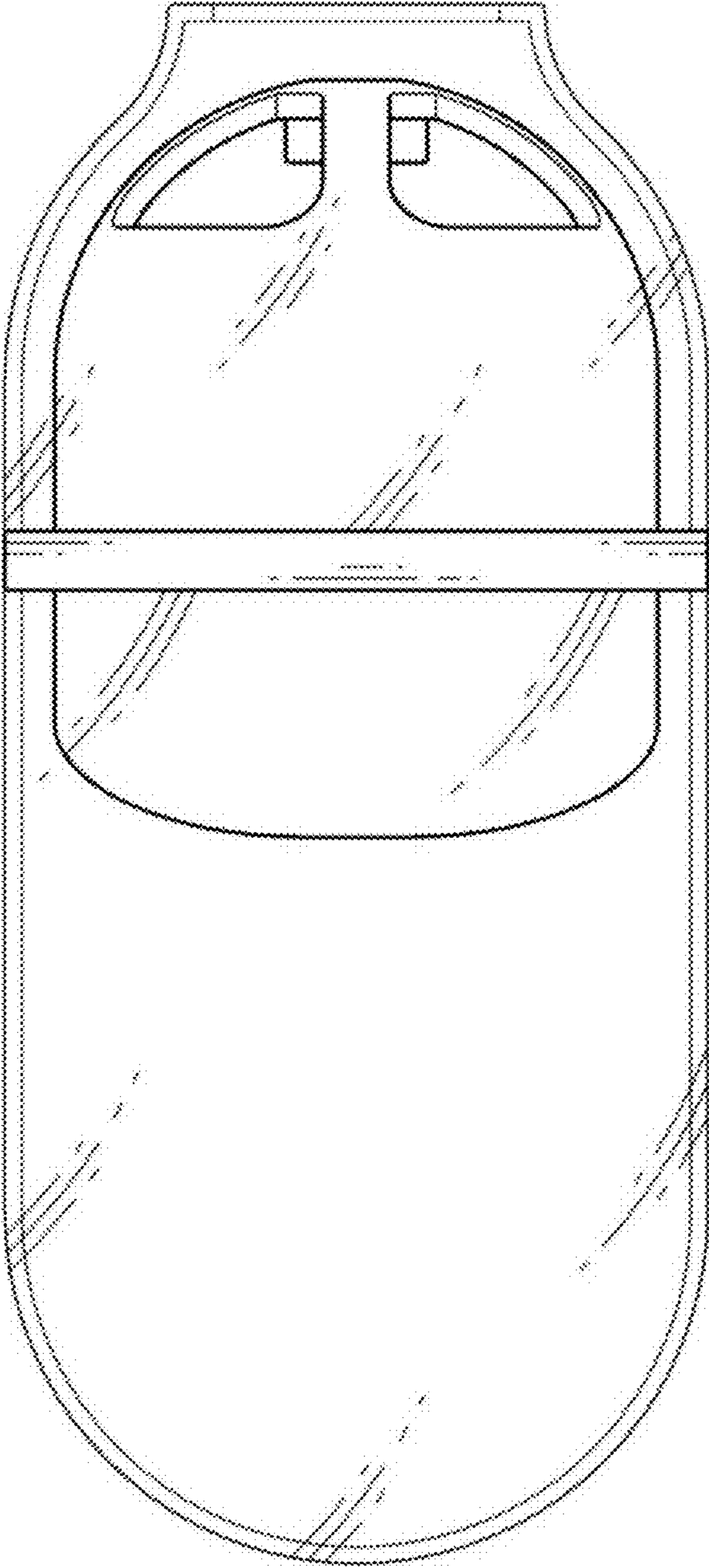
1.2



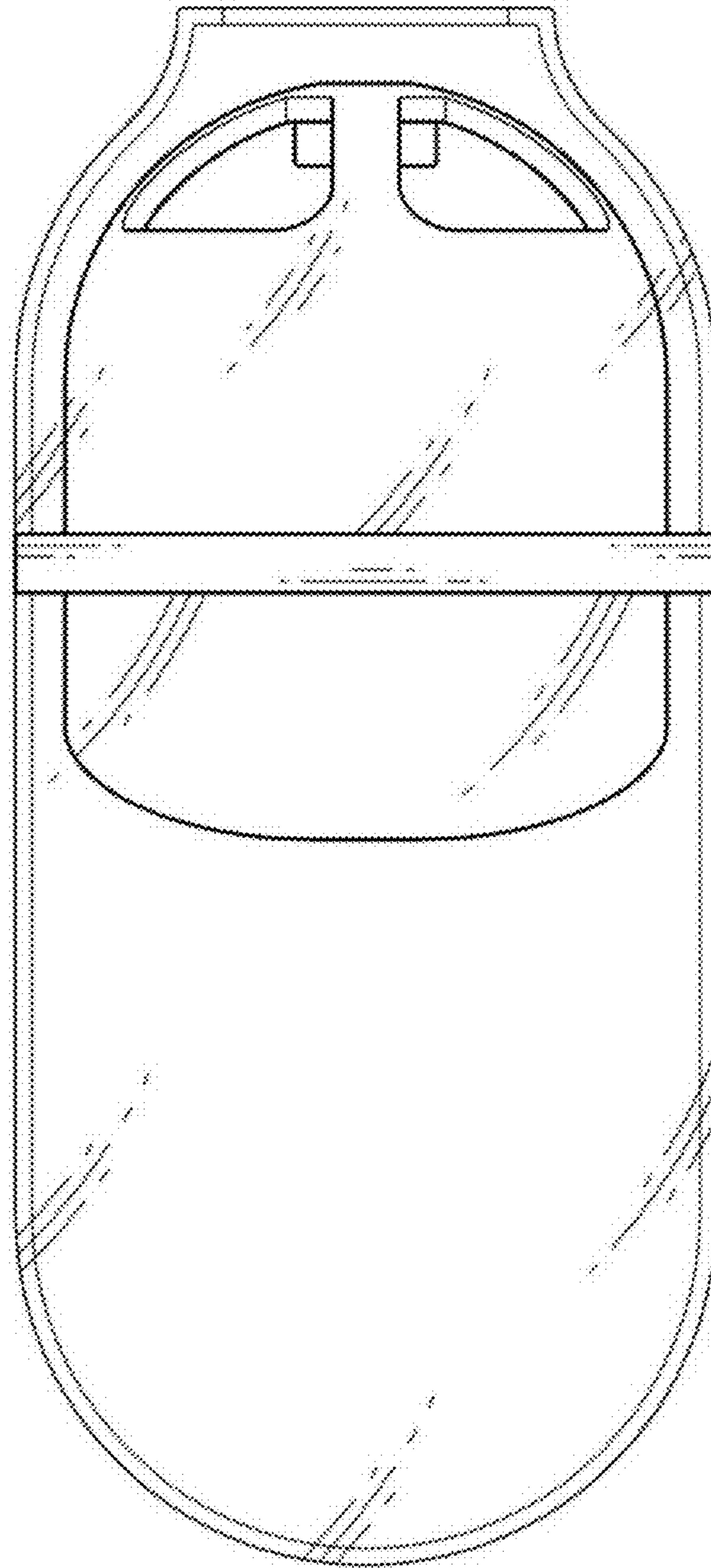
1.3



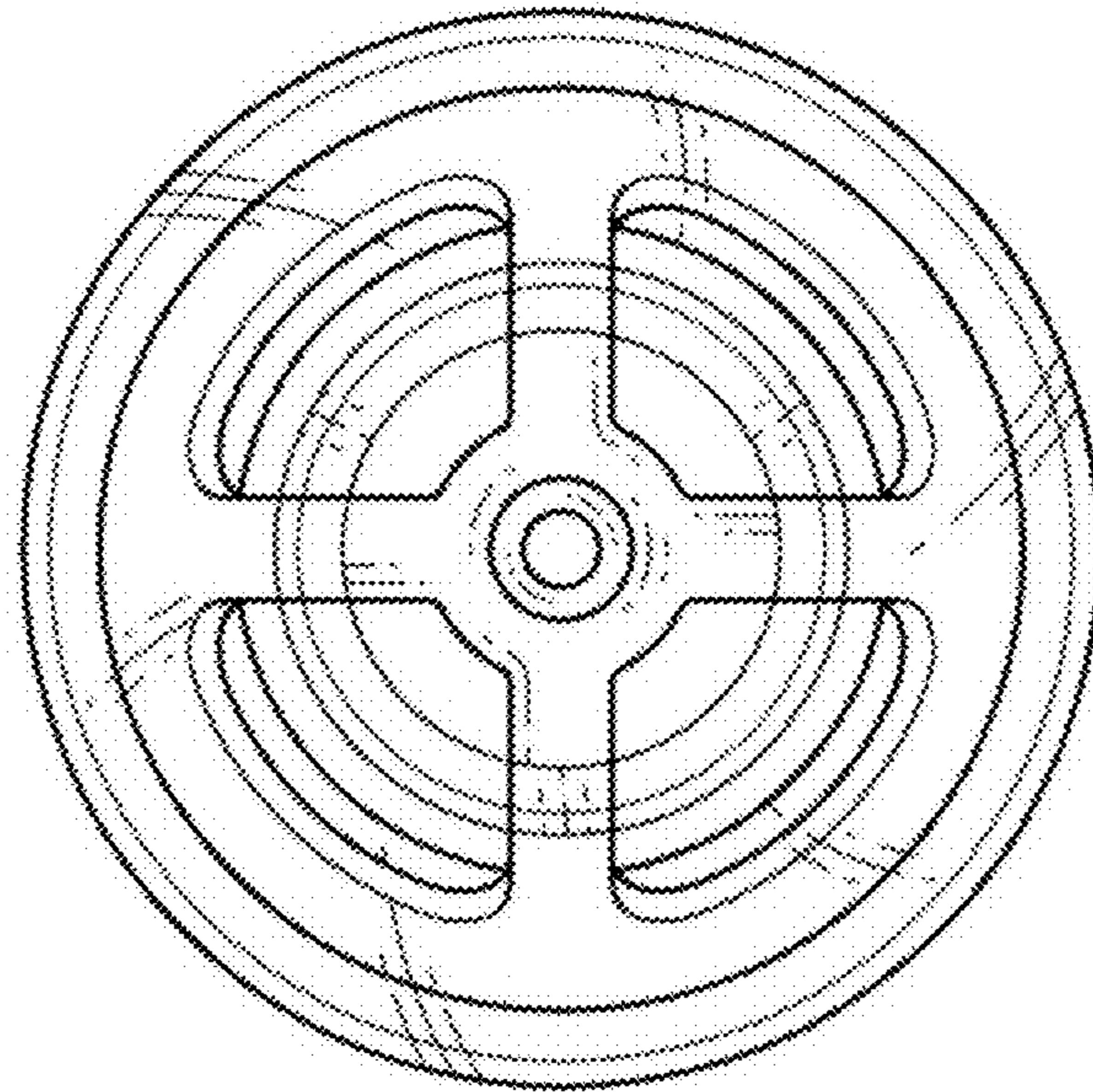
1.4



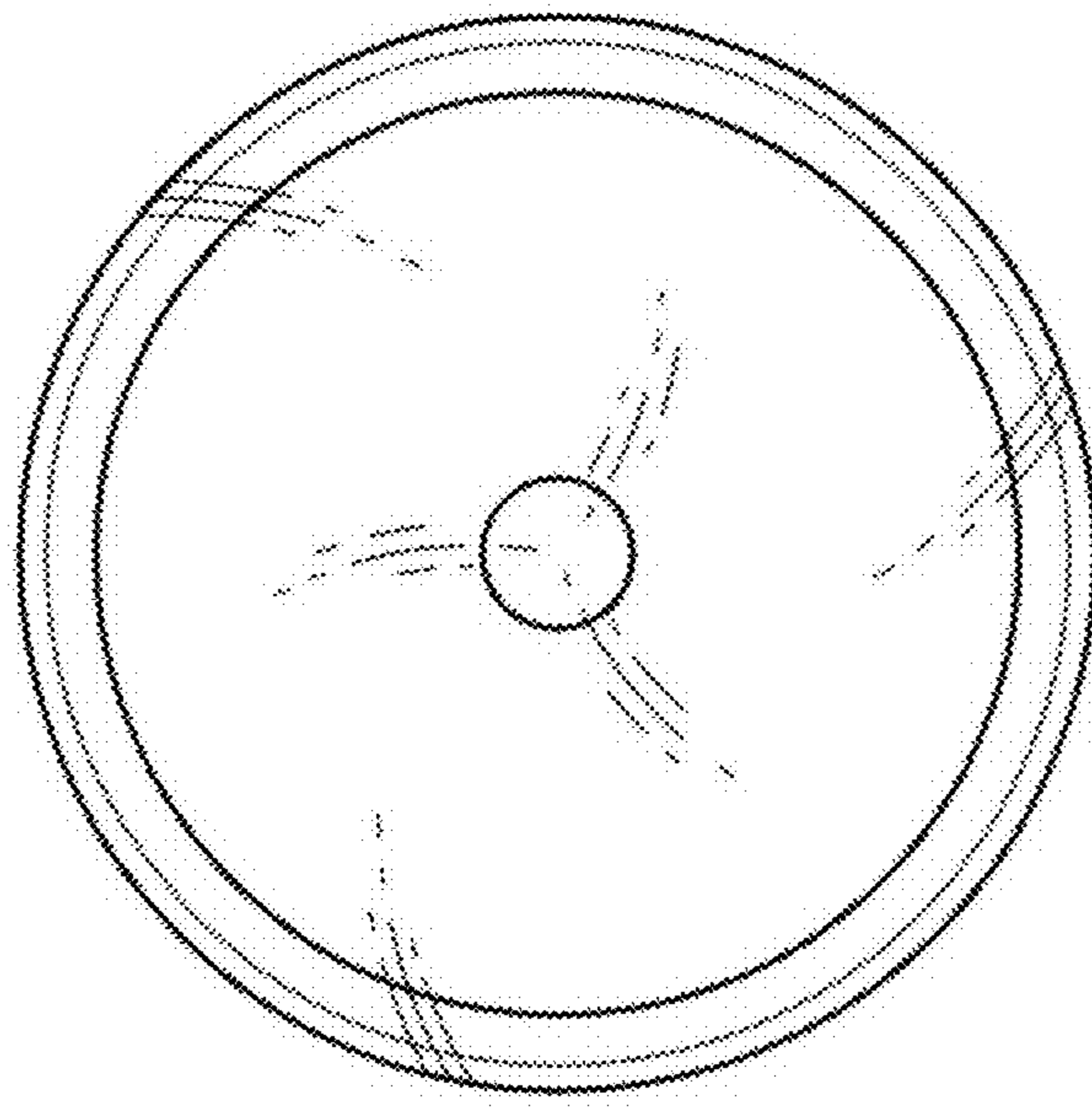
1.5



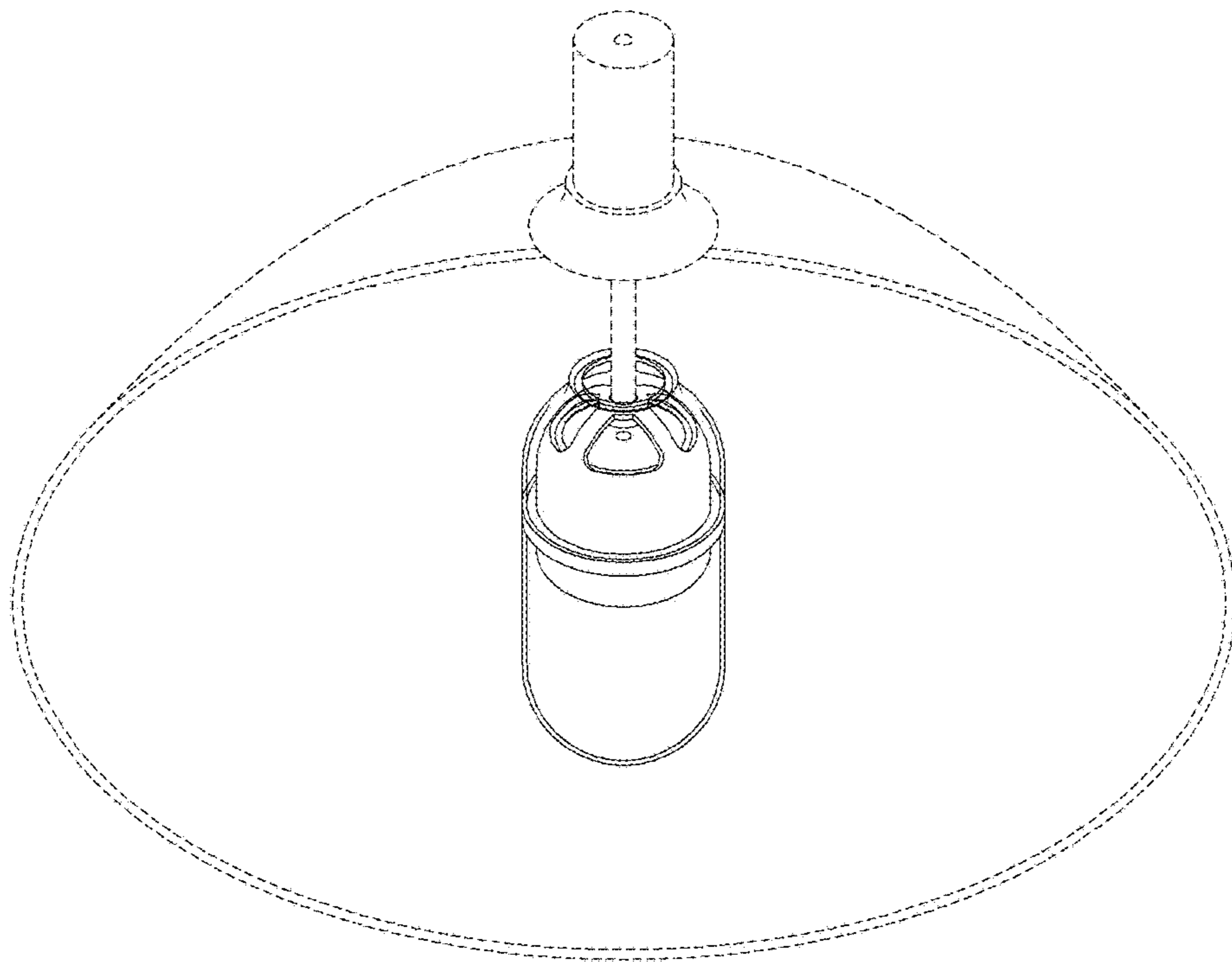
1.6



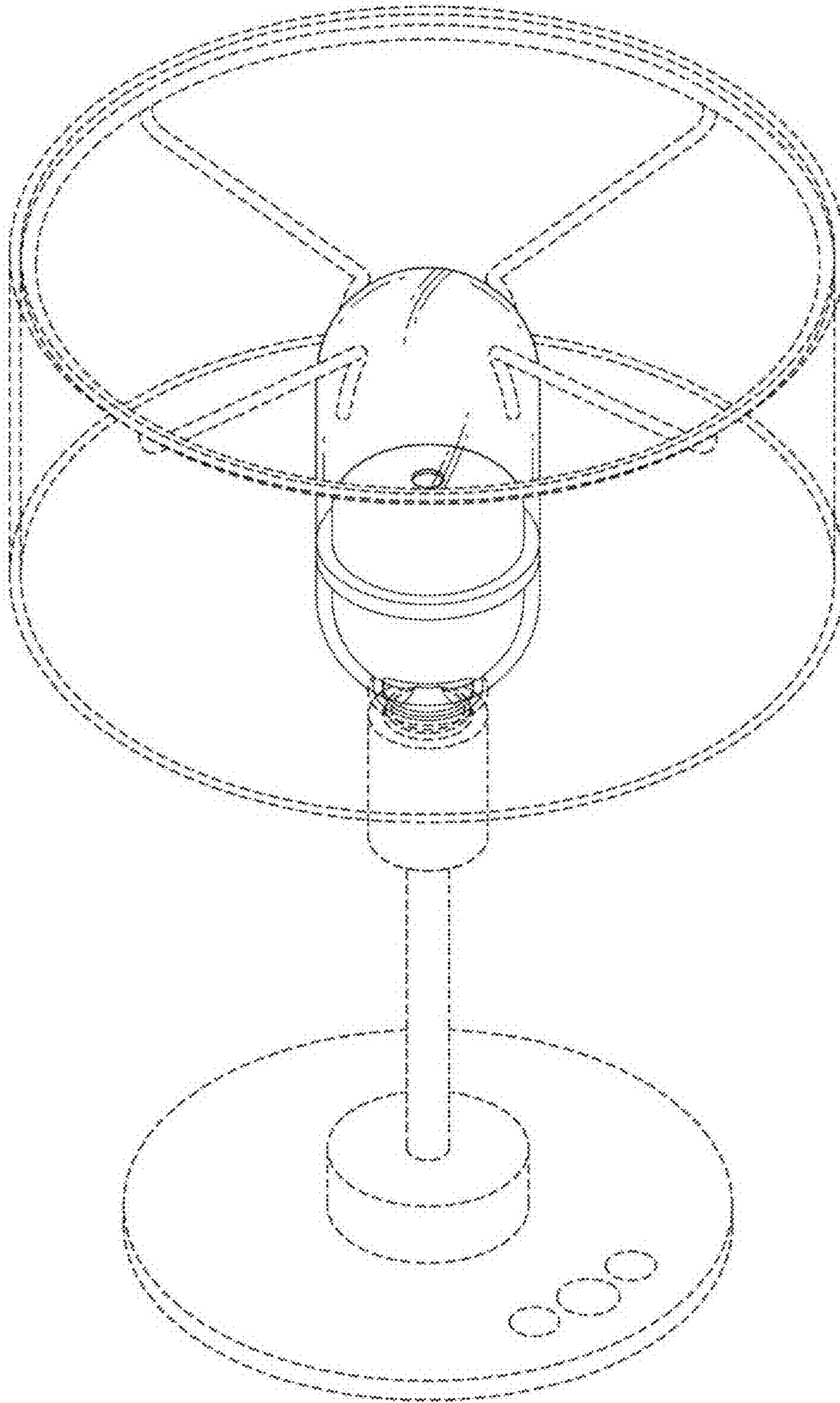
1.7



1.8



1.9



1.10

