



US00D817921S

(12) **United States Design Patent**
Hong et al.

(10) **Patent No.:** **US D817,921 S**
(45) **Date of Patent:** **** May 15, 2018**

(54) **SPEAKER WITH LIGHTING** 1,844,680 A * 2/1932 Rau H04R 1/028
181/141

(71) Applicant: **LG ELECTRONICS INC.**, Seoul 181/141
(KR) D187,433 S * 3/1960 Hammes D26/52
3,194,952 A * 7/1965 Wells F21S 8/088
181/141

(72) Inventors: **Yoonjung Hong**, Seoul (KR); **Jayoan Kim**, Seoul (KR); **Jooheon Oh**, Seoul (KR); **Woojin Suh**, Seoul (KR) 4,082,159 A * 4/1978 Petty H04R 1/021
181/153
4,293,899 A * 10/1981 Sanner F21V 29/004
362/294

(73) Assignee: **LG Electronics Inc.**, Seoul (KR) D406,374 S * 3/1999 Porter D26/68
D537,073 S * 2/2007 Peersman D14/213
D568,292 S * 5/2008 Tsuge D14/211
7,535,341 B2 * 5/2009 Haase G08B 7/06
340/326

(**) Term: **15 Years** 7,606,379 B2 * 10/2009 Ivey F21V 7/0008
381/160

(21) Appl. No.: **35/501,762** D611,034 S * 3/2010 Pineau D14/211
(Continued)

(22) Filed: **Apr. 22, 2016**

(80) **Hague Agreement Data**
Int. Filing Date: **Apr. 22, 2016**
Int. Reg. No.: **DM/090468**
Int. Reg. Date: **Apr. 22, 2016**
Int. Reg. Pub. Date: **Oct. 28, 2016**

Primary Examiner — Mary Ann Calabrese
Assistant Examiner — Jennifer L Rempfer
(74) *Attorney, Agent, or Firm* — Birch, Stewart, Kolasch & Birch, LLP

(30) **Foreign Application Priority Data**
Oct. 30, 2015 (KR) 30-2015-0054962

(51) **LOC (11) Cl.** **14-01**

(52) **U.S. Cl.**
USPC **D14/210; D26/52**

(58) **Field of Classification Search**
USPC D14/207–216; D23/364, 370; D26/2,
D26/28, 34, 51, 52
CPC ... H04R 1/02; H04R 1/20; H04R 1/34; H04R
1/28; H04N 5/232; H04N 5/225; G06K
9/00; A63H 33/04; A63J 21/00; F21V
33/0056
See application file for complete search history.

(57) **CLAIM**

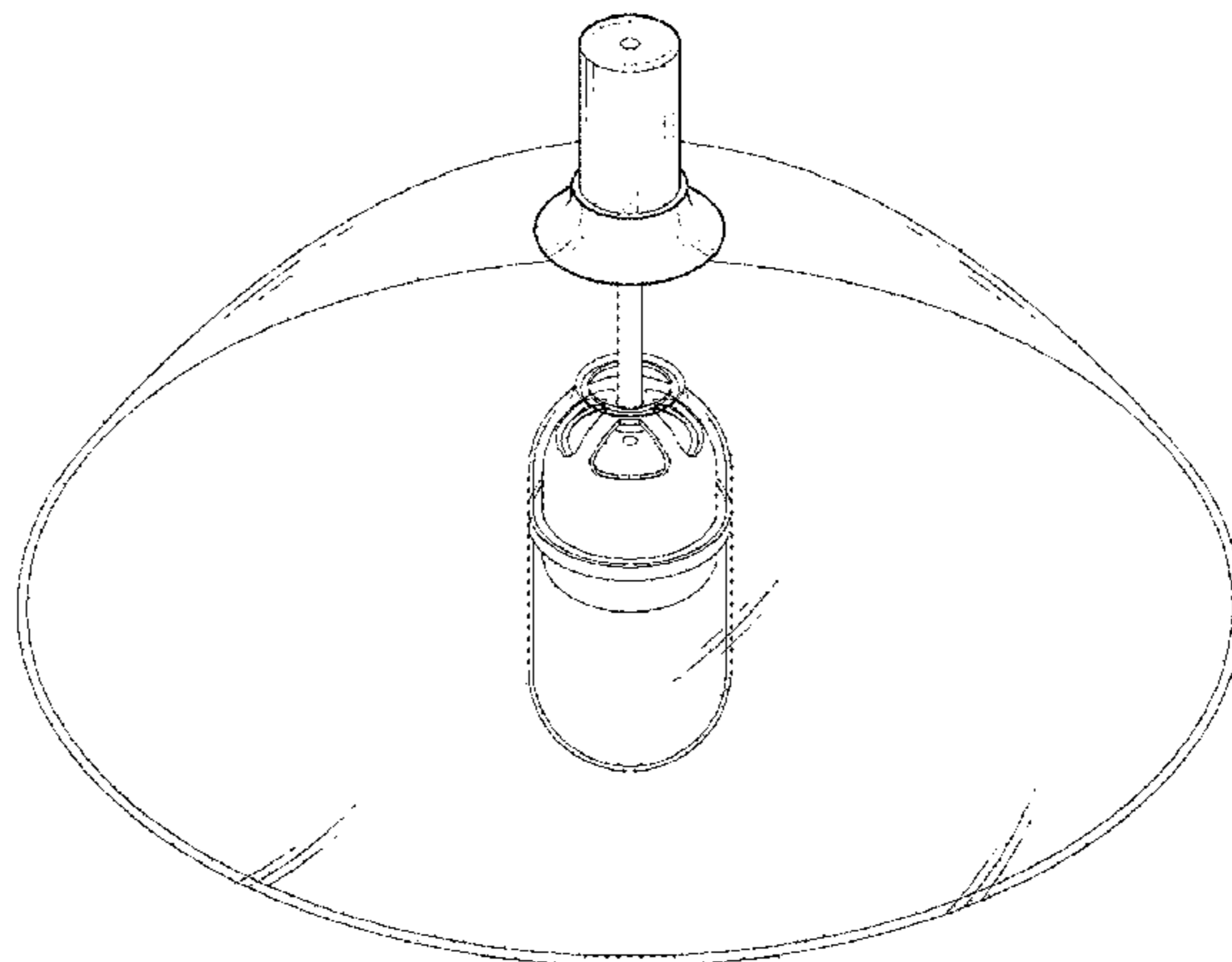
The ornamental design for a speaker with lighting, as shown and described.

DESCRIPTION

1. Speaker with lighting
1.1 is a perspective view of a speaker with lighting showing our new design;
1.2 is a front elevation view thereof;
1.3 is a rear elevation view thereof;
1.4 is a left-side elevation view thereof;
1.5 is a right-side elevation view thereof;
1.6 is a top plan view thereof;
1.7 is a bottom plan view thereof; and
1.8 is a partially enlarged view of a portion of 1.1.

(56) **References Cited**
U.S. PATENT DOCUMENTS
1,587,096 A * 6/1926 Wheeler H04R 1/028
181/177
1,727,419 A * 9/1929 Volf, Jr. H04R 1/345
181/192

1 Claim, 8 Drawing Sheets



(56)

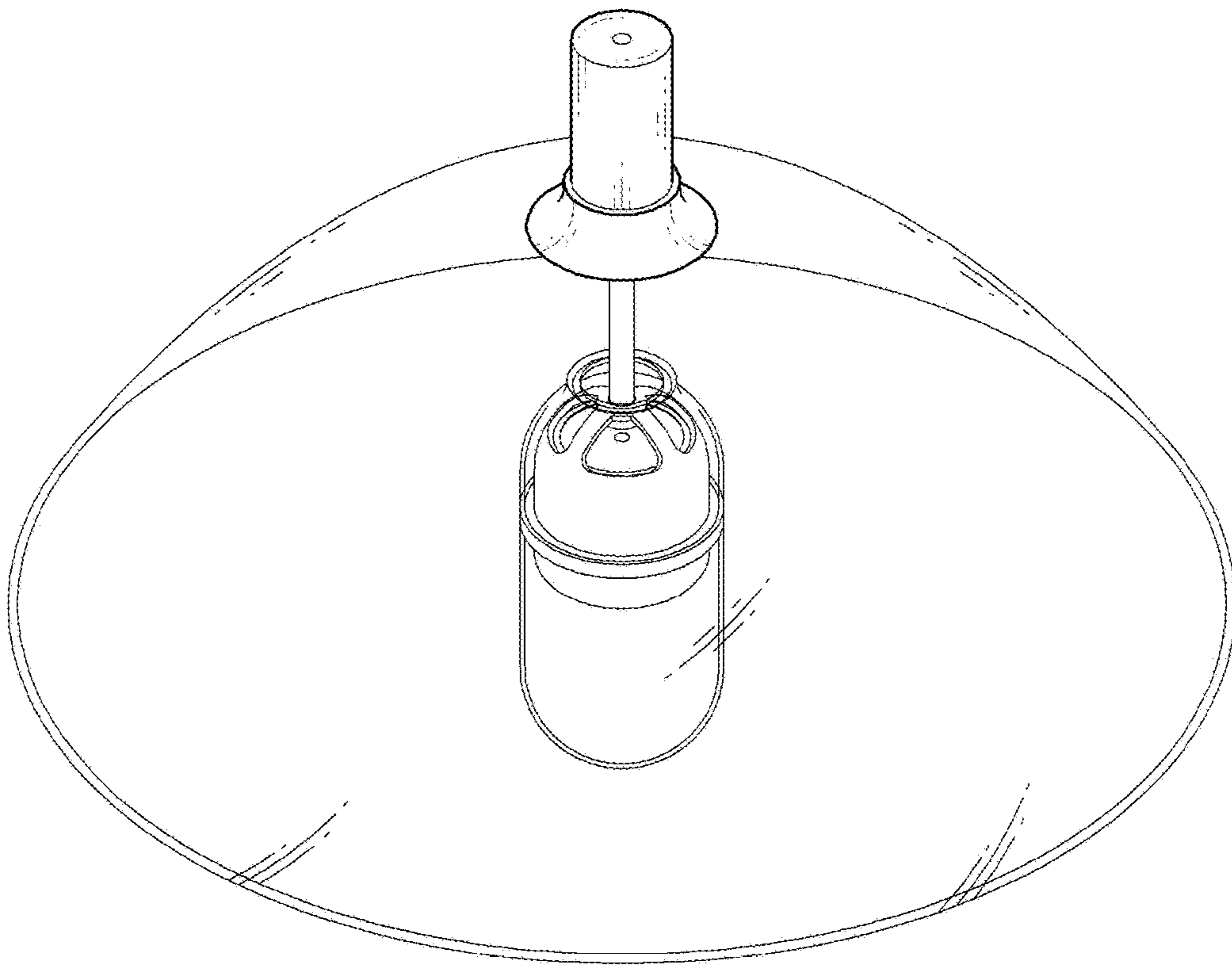
References Cited

U.S. PATENT DOCUMENTS

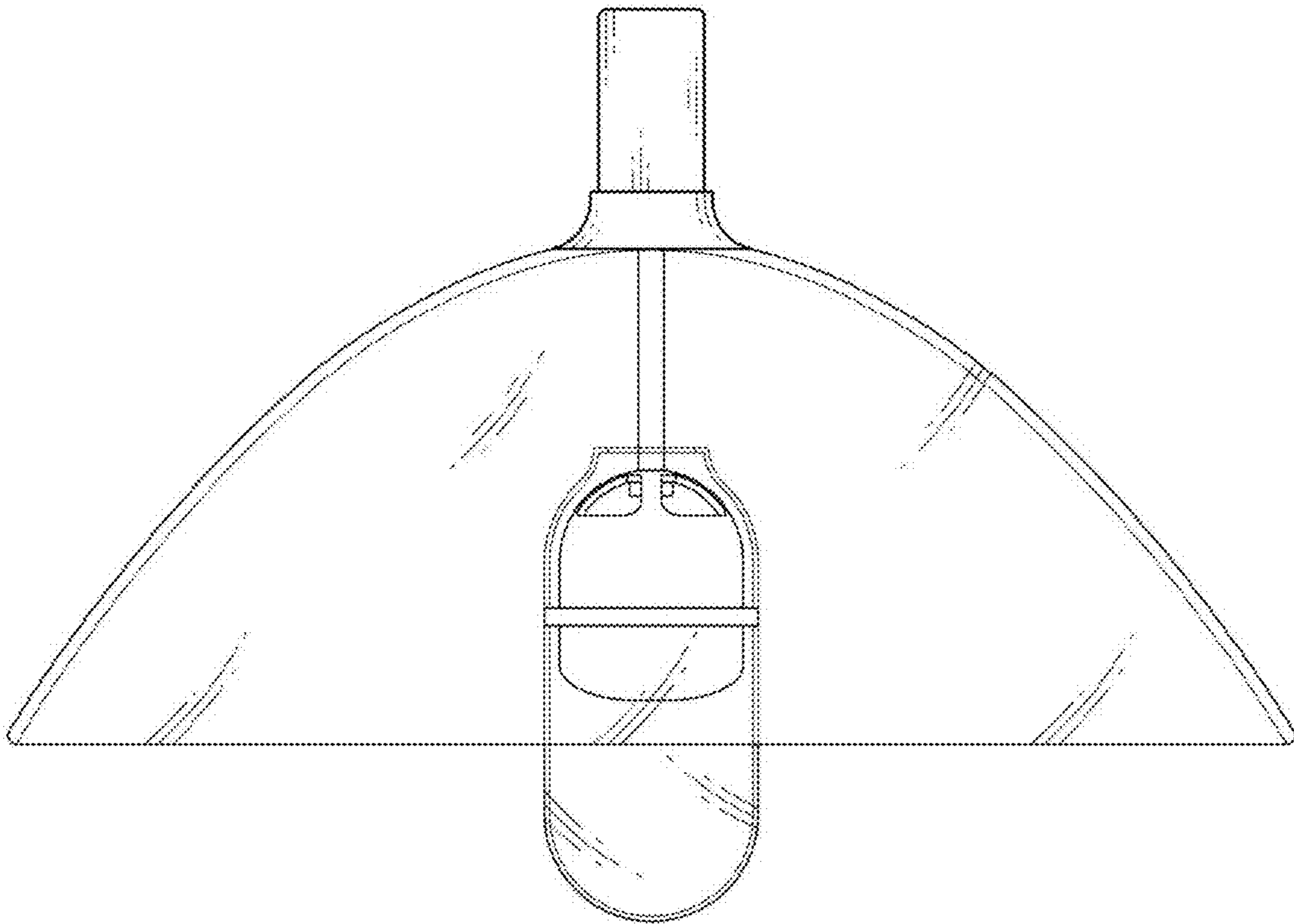
7,784,957 B2 * 8/2010 Wright H04R 1/028
362/234
D634,870 S * 3/2011 Shen D14/204
D644,351 S * 8/2011 Hasse D26/2
8,042,961 B2 * 10/2011 Massara F21V 23/0471
362/249.02
D659,674 S * 5/2012 Fathollahi D14/211
8,218,805 B2 * 7/2012 Hornback H04R 1/025
381/124
8,299,903 B2 * 10/2012 Haase F21V 33/0056
315/209 R
D711,353 S * 8/2014 Szymanski D14/216
8,957,594 B2 * 2/2015 Kim H05B 37/0236
315/291
D724,570 S * 3/2015 Kusano D14/224
9,294,828 B2 * 3/2016 Rutherford H04R 1/028
D766,877 S * 9/2016 Haase D14/172
9,473,854 B2 * 10/2016 Yasuike B60Q 1/0017
D772,457 S * 11/2016 Lee D26/52
D780,160 S * 2/2017 Hinokio D14/215
9,739,472 B1 * 8/2017 Li F21V 33/0056
9,765,959 B2 * 9/2017 Yim F21V 33/0056
D798,836 S * 10/2017 Jung D14/210
2004/0175014 A1 * 9/2004 Liu F21V 33/0056
381/386

* cited by examiner

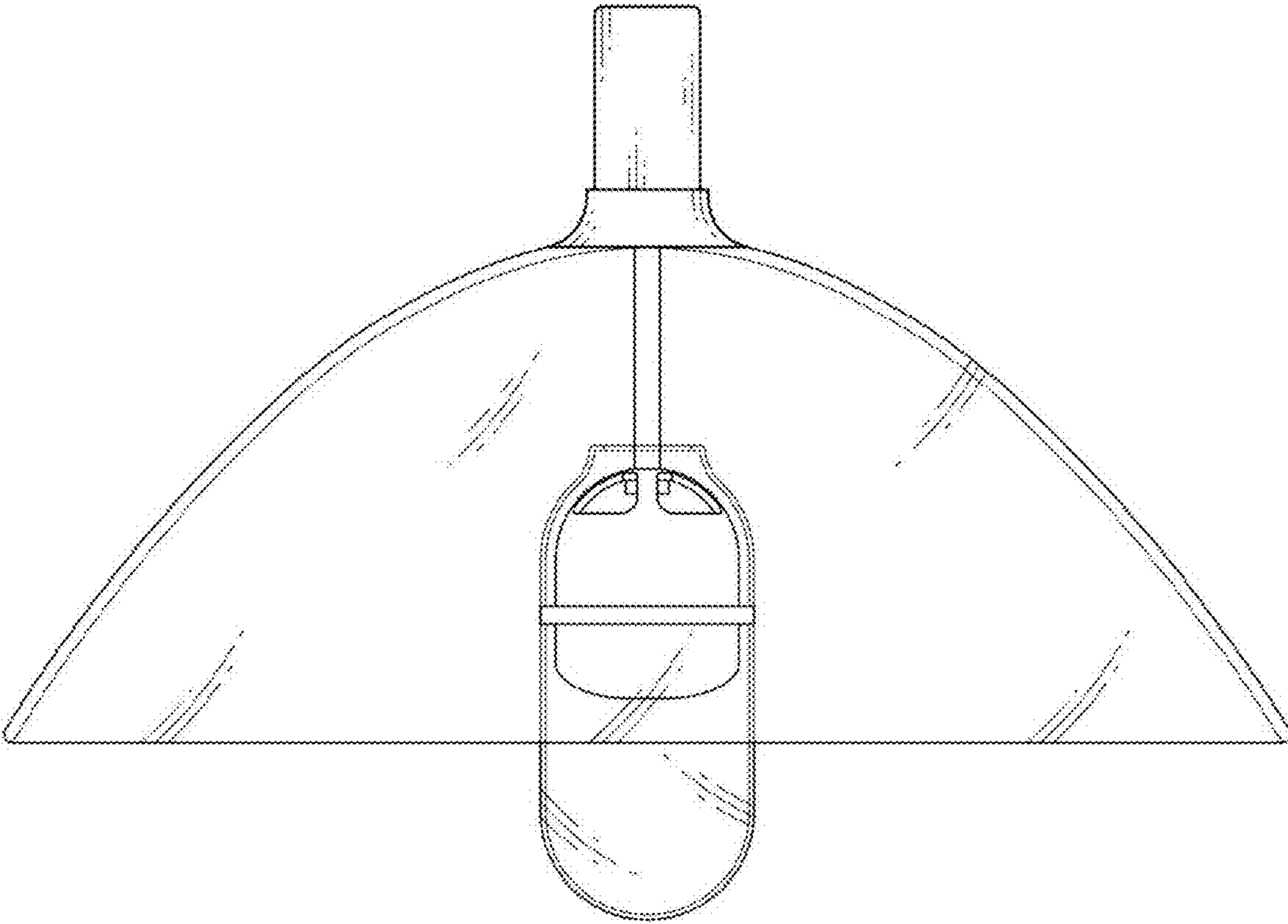
1.1



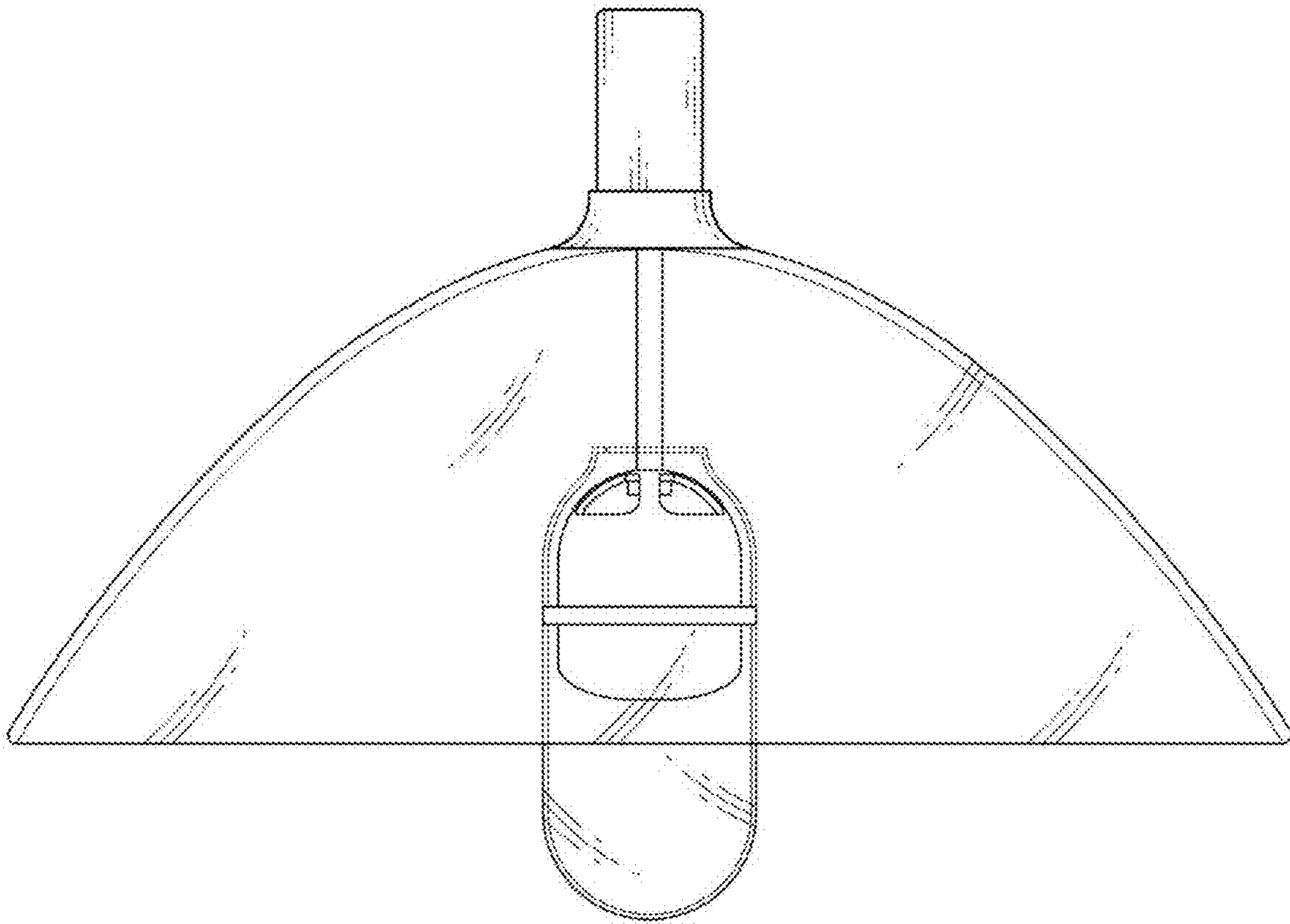
1.2



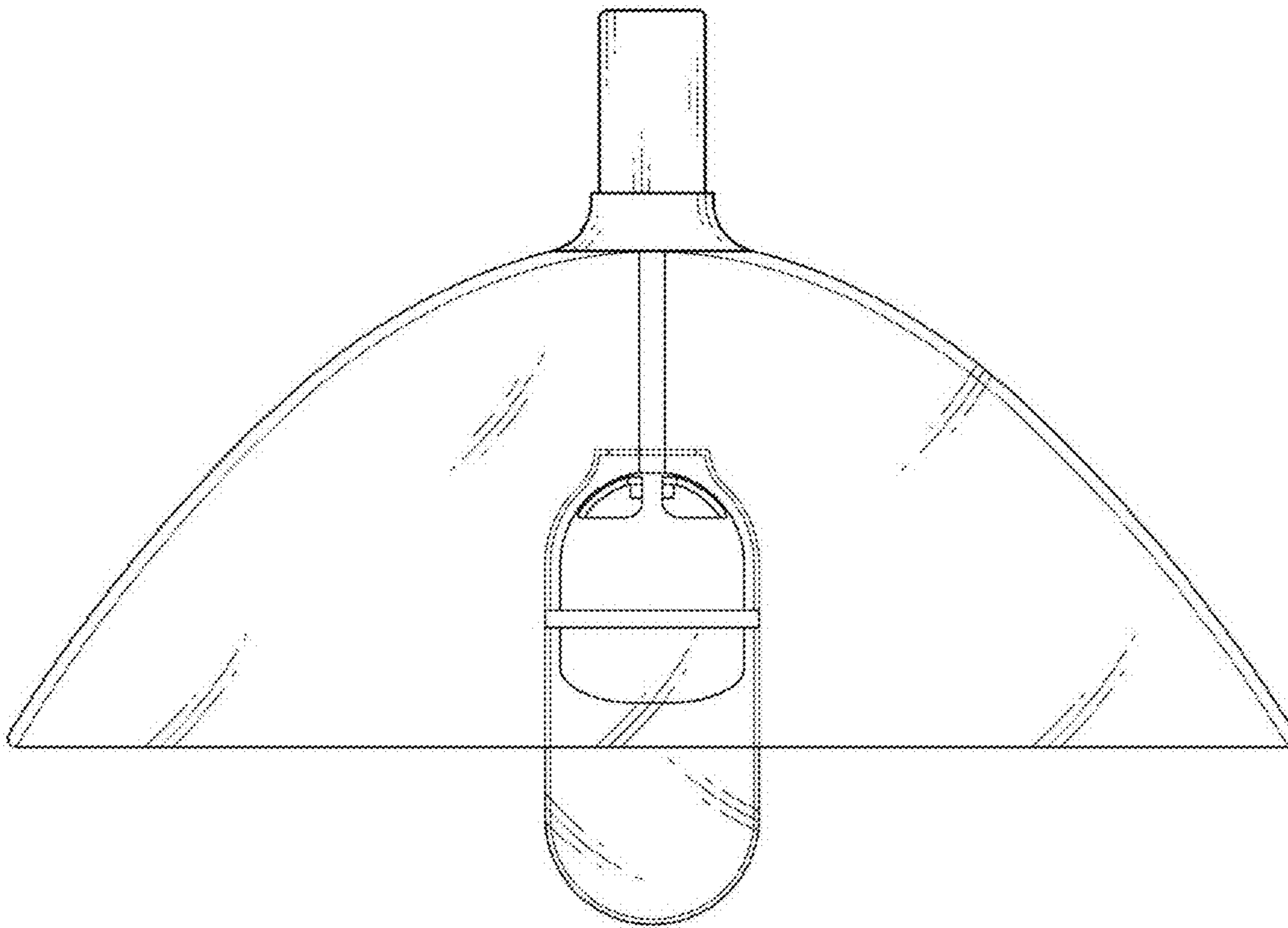
1.3



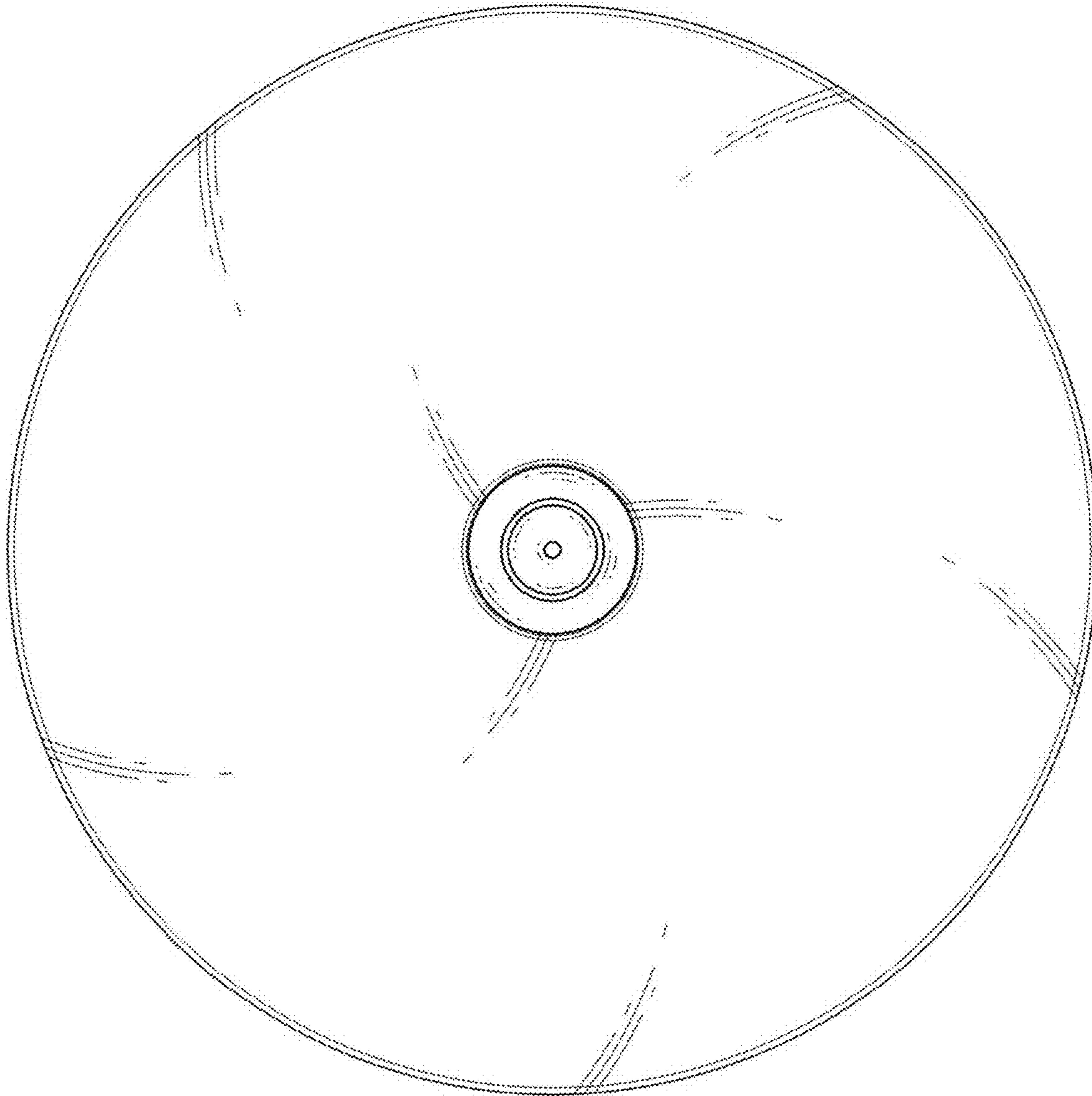
1.4



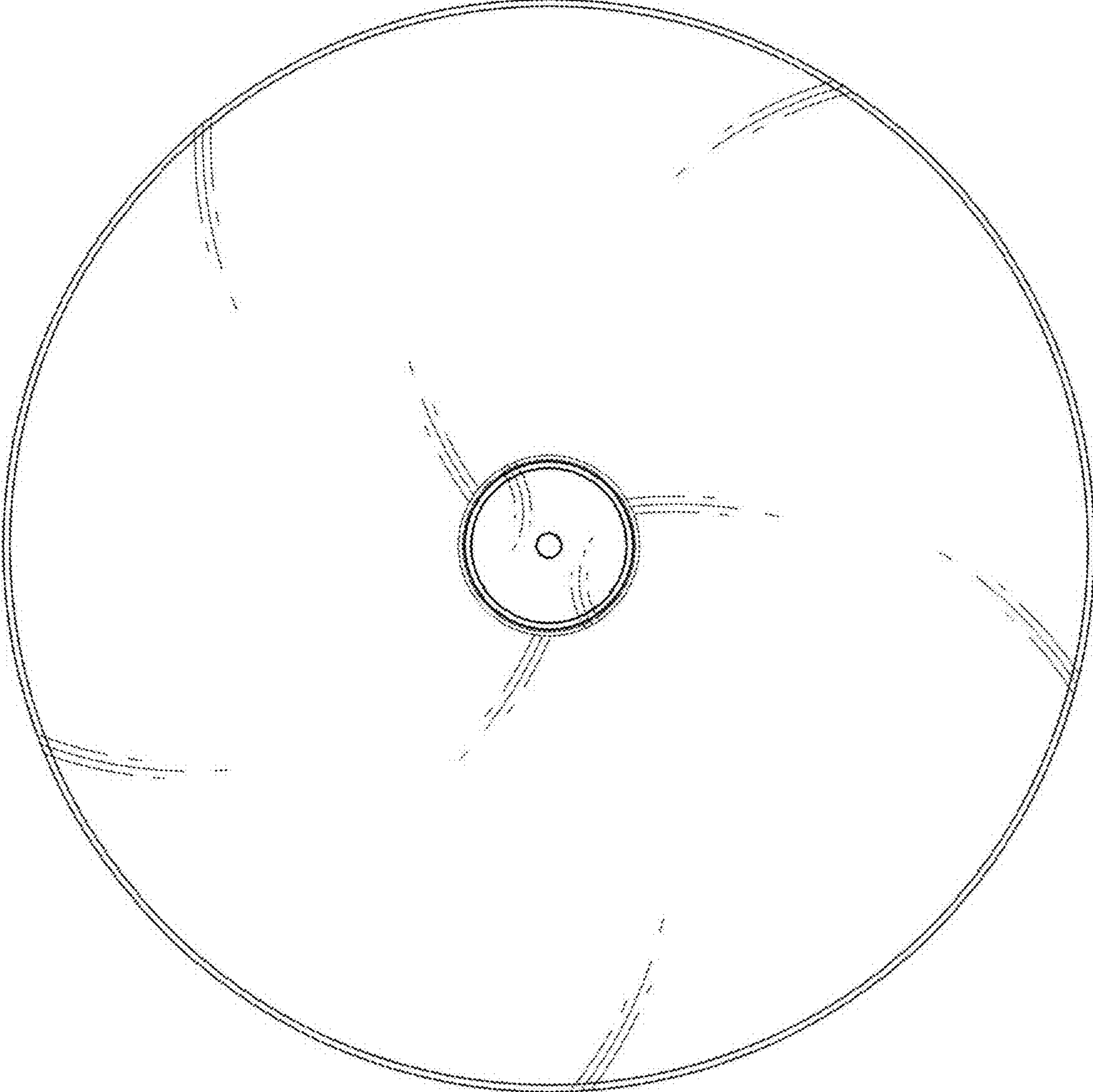
1.5



1.6



1.7



1.8

