



US00D817919S

(12) **United States Design Patent** (10) **Patent No.:** **US D817,919 S**  
**Fairless** (45) **Date of Patent:** **\*\* May 15, 2018**

- (54) **SPEAKER**
- (71) Applicant: **P.R.E.D Technologies Ltd**, Yaumati, Kowloon (HK)
- (72) Inventor: **Adam Fairless**, La Jolla, CA (US)
- (73) Assignee: **P.R.E.D Technologies Ltd**, Yaumati, Kowloon (HK)
- (\*\*) Term: **15 Years**
- (21) Appl. No.: **29/568,132**
- (22) Filed: **Jun. 15, 2016**
- (51) **LOC (11) Cl.** ..... **14-01**
- (52) **U.S. Cl.**  
USPC ..... **D14/204**
- (58) **Field of Classification Search**  
USPC ..... D14/195, 196, 204, 205, 206, 218, 223, D14/248; 181/144, 148, 153, 157, 198; 369/6-12; 381/301-303, 306, 332, 334, 381/336, 345, 361-363, 386-388  
CPC ..... G06F 1/1688; H04R 1/02; H04R 1/025; H04R 1/026; H04R 1/323; H04R 1/403; H04R 1/2803; H04R 1/2834; H04R 5/02; H04R 9/06; H04R 2201/021; H04R 2400/00; H04R 2400/07  
See application file for complete search history.

- (56) **References Cited**  
U.S. PATENT DOCUMENTS  
D244,700 S \* 6/1977 Pulos ..... D14/225  
D319,468 S \* 8/1991 Larizza ..... D14/148  
D382,874 S \* 8/1997 Peschke ..... D14/142

- D459,340 S \* 6/2002 Leyde ..... D14/197
- D477,821 S \* 7/2003 Bieltvedt ..... D14/206
- D487,733 S \* 3/2004 Lucaci ..... D14/137
- D570,793 S \* 6/2008 Ikeda ..... D13/168
- D580,915 S \* 11/2008 Tsao ..... D13/168
- D672,326 S \* 12/2012 Mazzeo ..... H04M 1/0214  
D14/138 R
- D689,843 S \* 9/2013 Lee ..... D14/205
- D697,057 S \* 1/2014 Kwon ..... D14/218
- D716,760 S \* 11/2014 Brunner ..... D14/206
- 2007/0036386 A1 \* 2/2007 Amae ..... H04M 1/05  
381/388

\* cited by examiner

*Primary Examiner* — Derrick E Holland  
*Assistant Examiner* — Janice Julia Patyk  
(74) *Attorney, Agent, or Firm* — Keith A. Vogt; Vogt IP

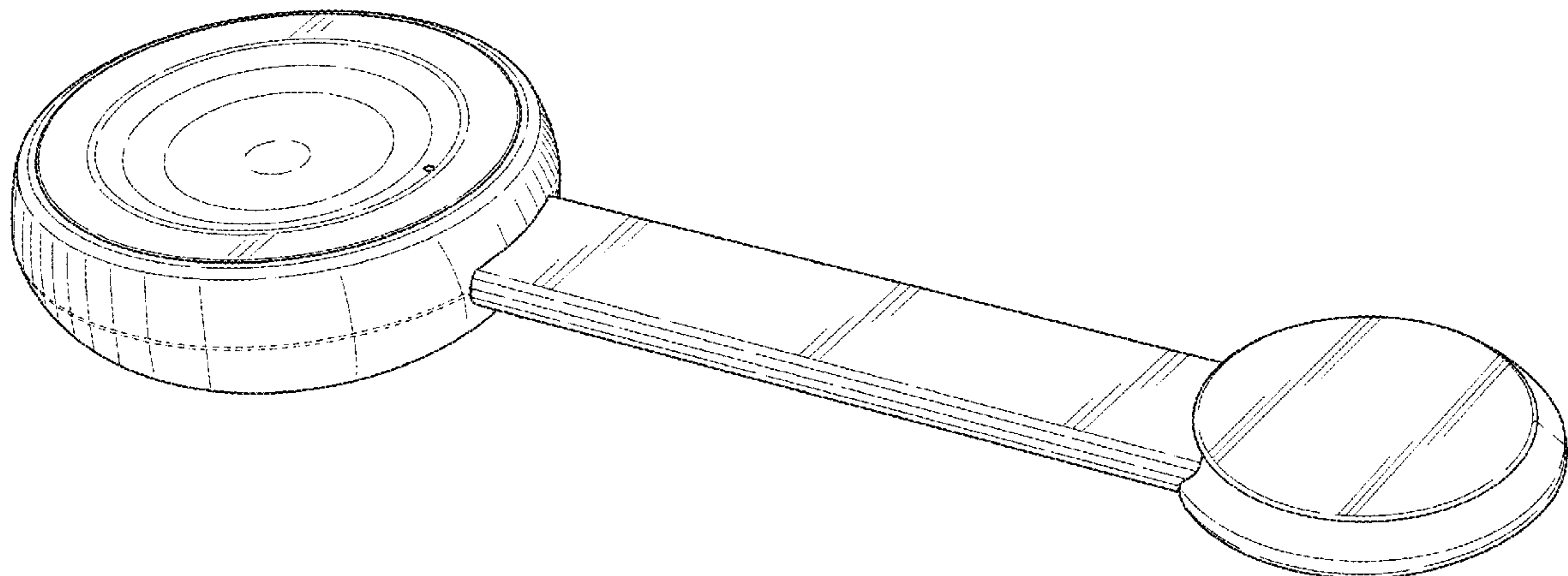
(57) **CLAIM**

The ornamental design for a speaker, as shown and described.

**DESCRIPTION**

FIG. 1 is a first perspective view of a speaker, showing my new design;  
FIG. 2 is a second perspective view thereof;  
FIG. 3 is a side view thereof;  
FIG. 4 is an opposite side view thereof;  
FIG. 5 is a front view thereof;  
FIG. 6 is a rear view thereof;  
FIG. 7 is a top view thereof; and,  
FIG. 8 is a bottom view thereof.  
The broken lines in the figures illustrate the portions of the design that form no part of the claimed design.

**1 Claim, 5 Drawing Sheets**



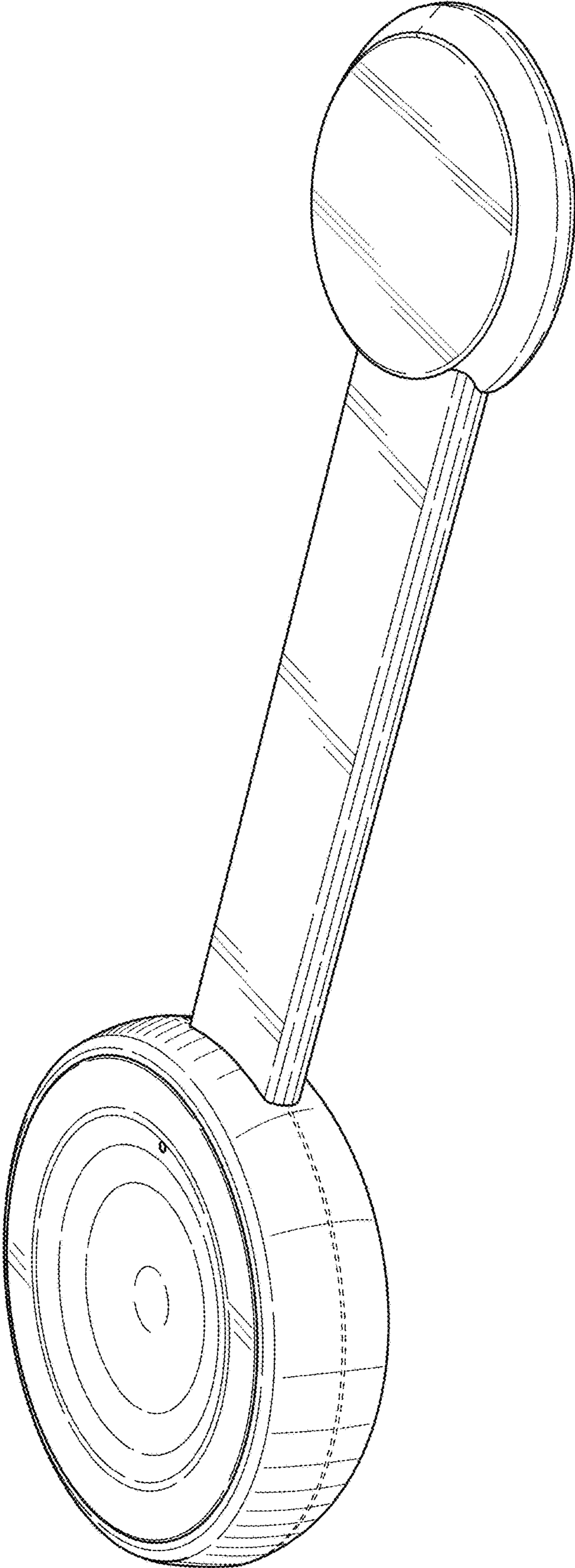


FIG. 1

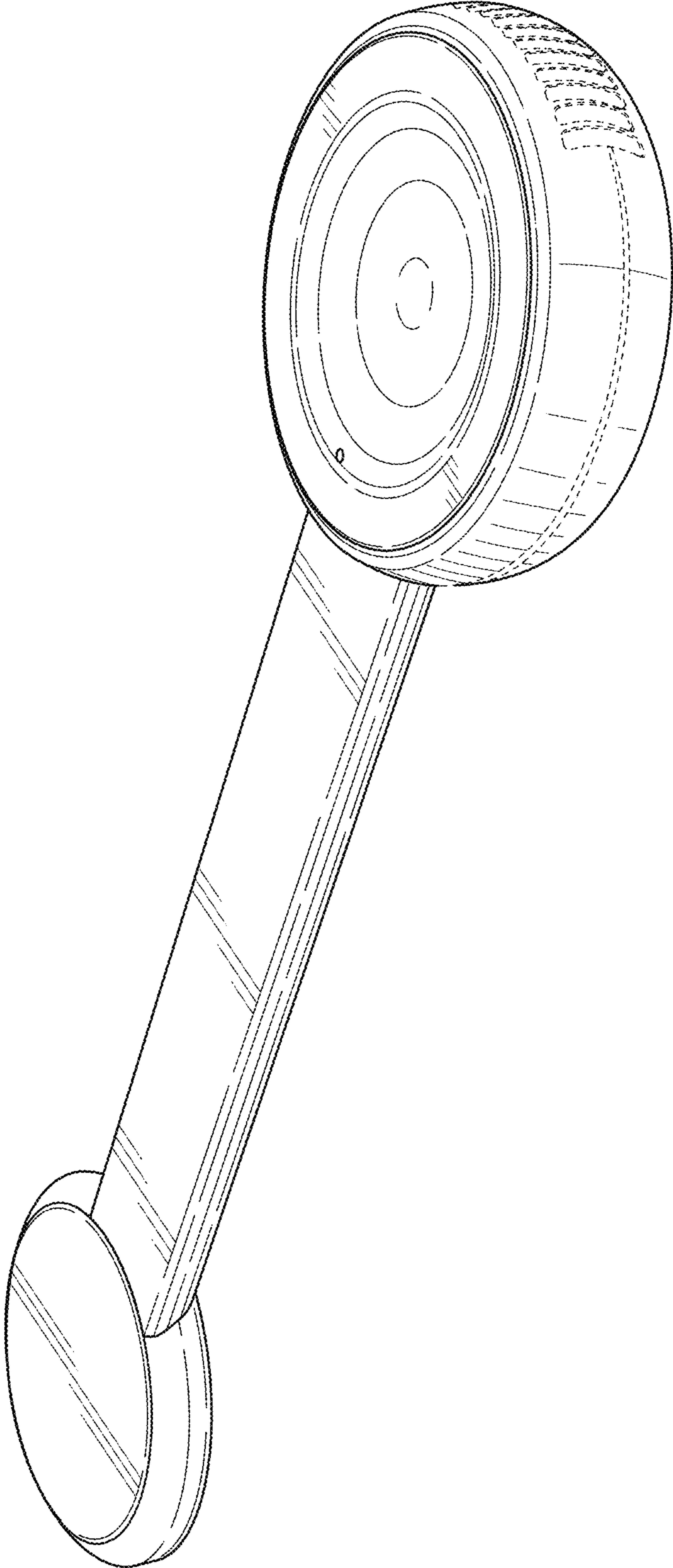


FIG. 2

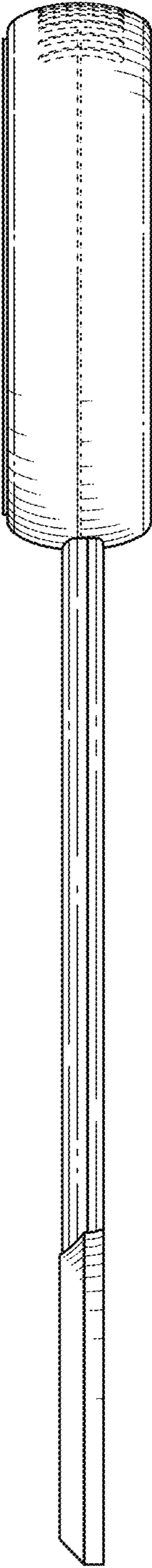


FIG. 3

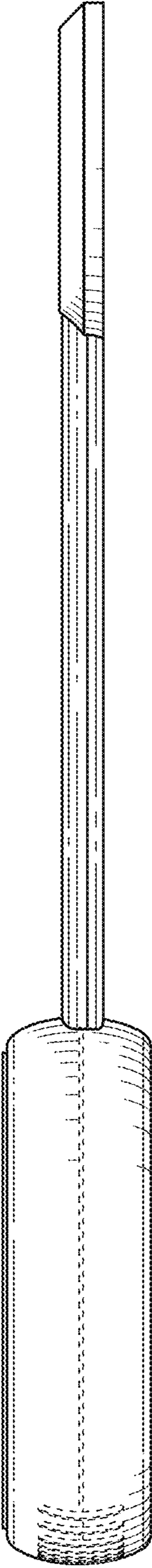


FIG. 4

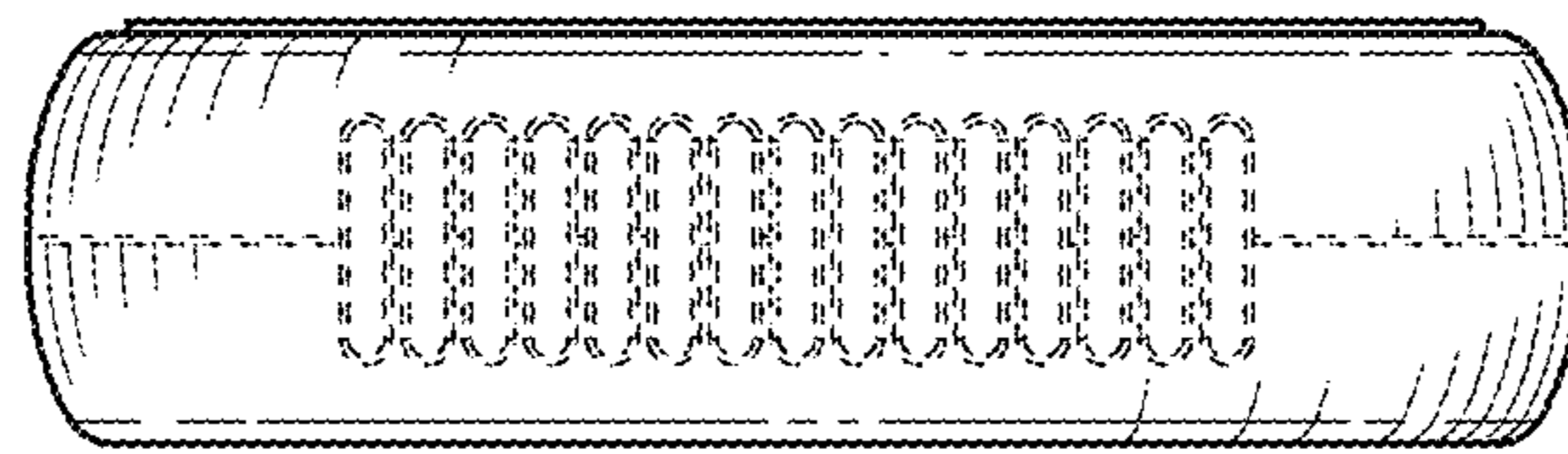


FIG. 5

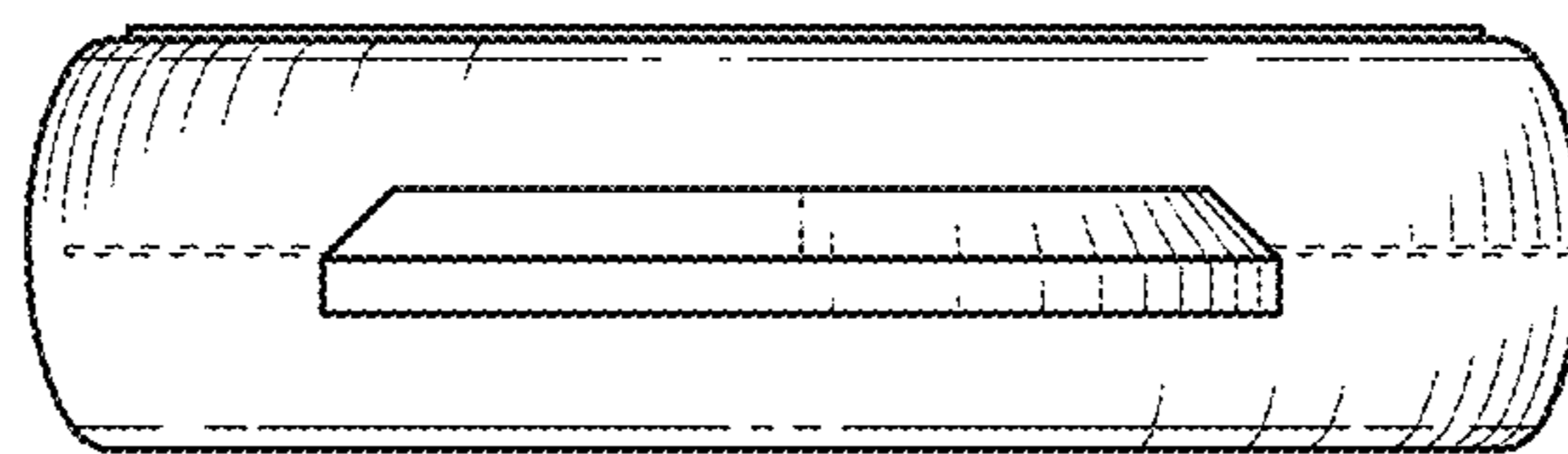


FIG. 6

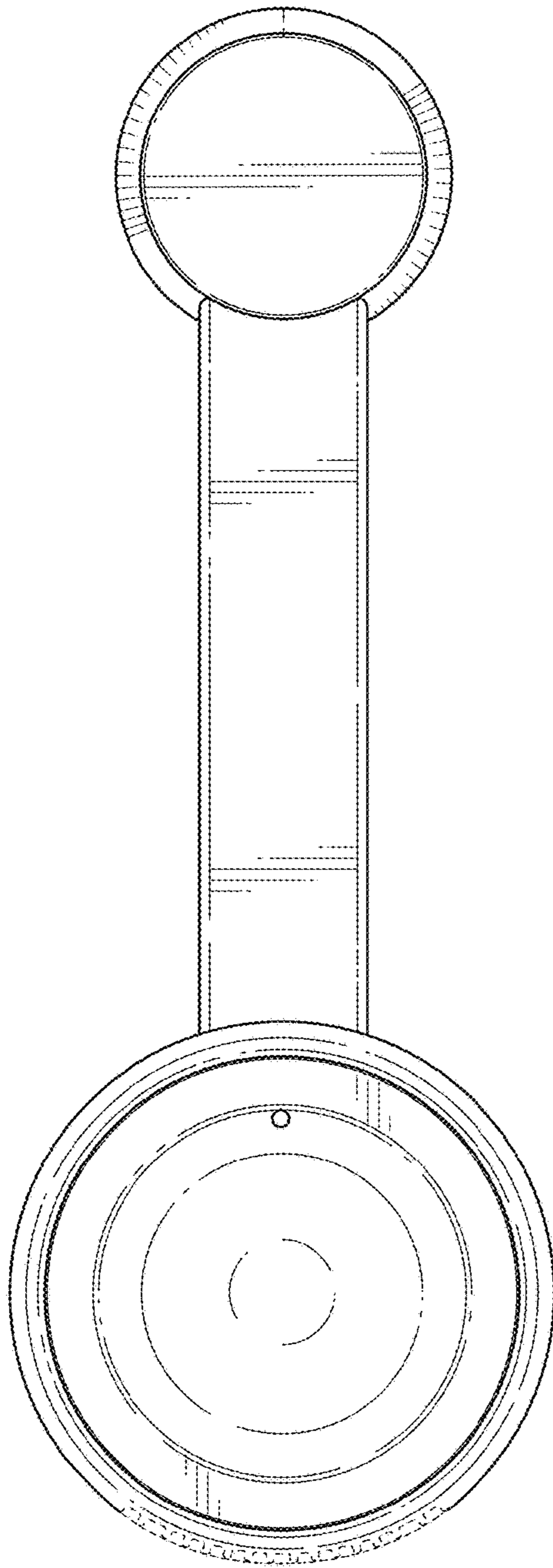


FIG. 7

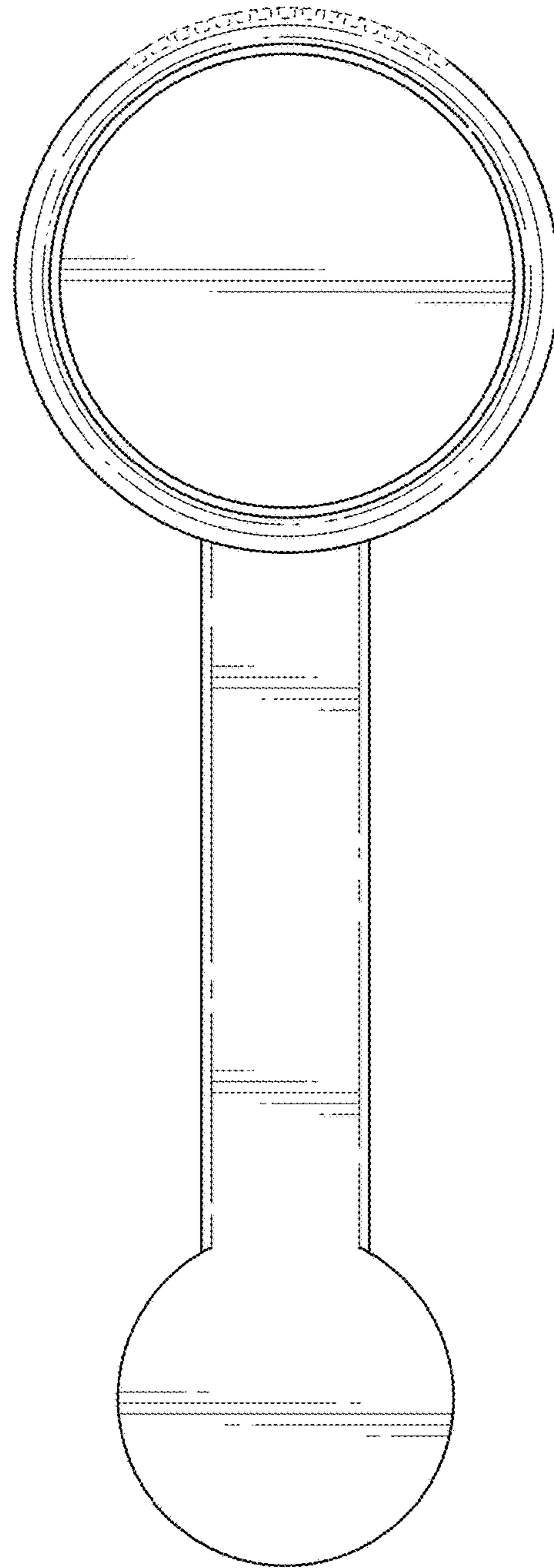


FIG. 8