



US00D817918S

(12) **United States Design Patent** (10) **Patent No.:** **US D817,918 S**  
**Sabatino et al.** (45) **Date of Patent:** **\*\* May 15, 2018**

(54) **COMBINED RADIO AND POWER POLE WITH PIER**

FOREIGN PATENT DOCUMENTS

(71) Applicant: **Sabre Industries Inc.**, Alvarado, TX (US)

WO 9853522 11/1998

(72) Inventors: **Anthony Sabatino**, Lenexa, KS (US); **Lance Norrell**, Venus, TX (US)

OTHER PUBLICATIONS

(73) Assignee: **Sabre Industries Inc.**, Alvarado, TX (US)

Notification of Transmittal of the International Search Report and The Written Opinion of the International Searching Authority—dated May 1, 2017.

(\*\*) Term: **15 Years**

*Primary Examiner* — Keli L Hill

(21) Appl. No.: **29/603,845**

(74) *Attorney, Agent, or Firm* — Ryan T. Grace; Advent, LLP

(22) Filed: **May 12, 2017**

(57) **CLAIM**

The ornamental design for a combined radio and power pole with pier, as shown and described.

**Related U.S. Application Data**

**DESCRIPTION**

(63) Continuation of application No. 29/552,912, filed on Jan. 27, 2016, now Pat. No. Des. 788,065.

(51) **LOC (11) Cl.** ..... **14-03**

(52) **U.S. Cl.**  
USPC ..... **D14/188**; D13/139.4; D14/213; D25/126

(58) **Field of Classification Search**  
USPC ... D14/140, 140.1, 140.2, 140.5, 140.6, 162, D14/167–169, 175, 179, 188, 194–198, D14/204, 210–217, 240, 257, 265, 299, D14/496; D13/102, 139.2, 139.4, 139.5, D13/184; D25/125, 126, 129, 132  
(Continued)

FIG. 1 is a front elevation view of a combined radio and power pole with pier, embodying my new design; FIG. 2 is a rear elevation view thereof; FIG. 3 is a left side elevation view thereof; FIG. 4 is a right side elevation view thereof; FIG. 5 is a top plan view thereof; FIG. 6 is a bottom plan view thereof; FIG. 7 is an isometric view thereof; and, FIG. 8 is another isometric view thereof.

The combined radio and power pole with pier is shown with symbolic break in its length in the FIGS. 1-4 and FIGS. 7-8 drawing views. It is understood that patentability is based only on those portions of the article that are shown in solid lines, and the appearance of any portion of the article between the break lines forms no part of the claimed design. Portions of FIGS. 1 through 8 are shown in broken and dash-dot-dot-dash 3 lines illustrating portions of the article and environmental subject matter that form no part of the claimed design.

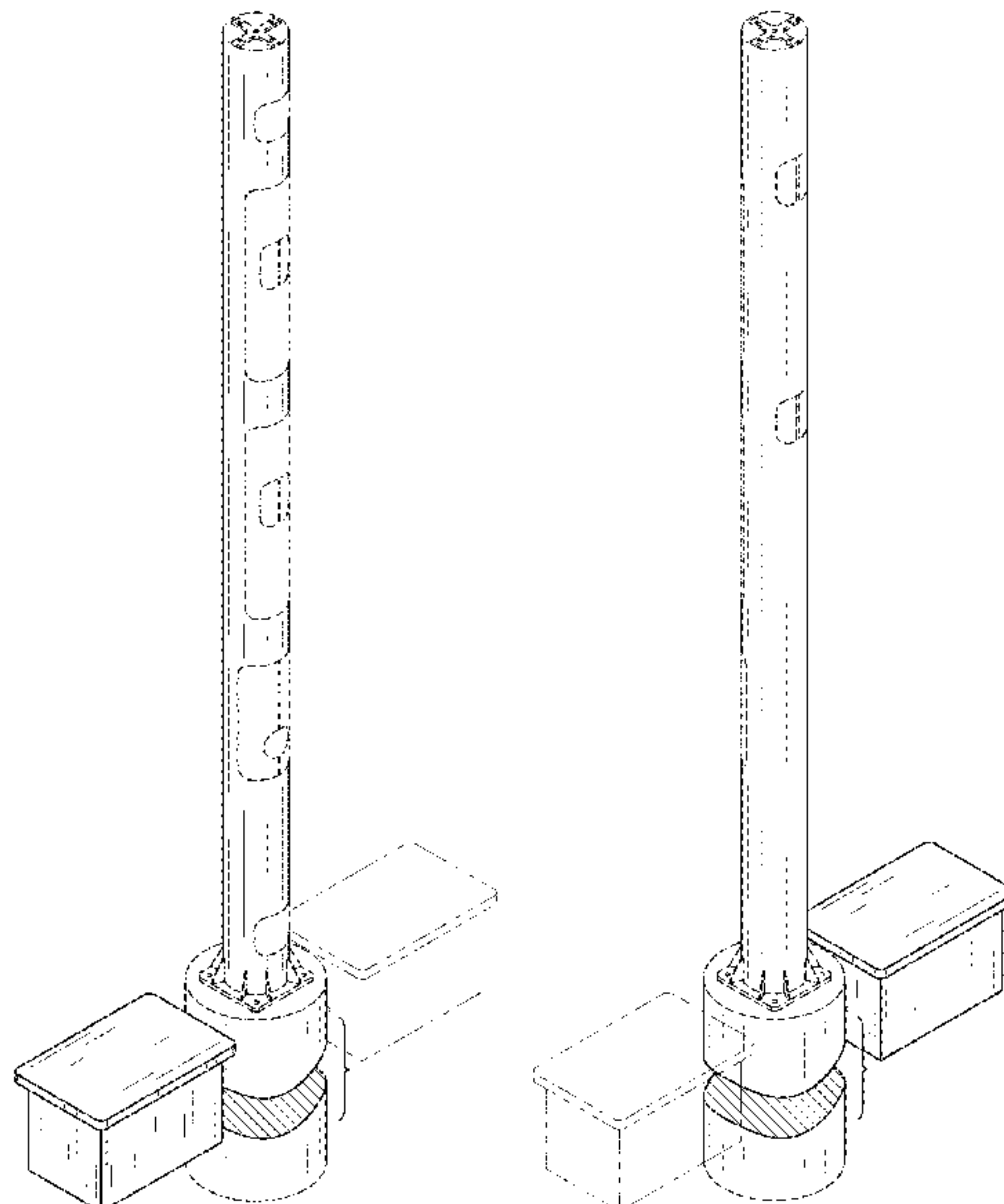
(56) **References Cited**

U.S. PATENT DOCUMENTS

1,521,285 A \* 12/1924 Erickson ..... E04H 12/2292 52/170  
1,579,965 A \* 4/1926 Stobie ..... E04H 12/08 52/834

(Continued)

**1 Claim, 7 Drawing Sheets**



(58) **Field of Classification Search**  
 CPC ..... H04M 1/67; H04M 2250/12; H04N 7/15;  
 G06K 9/00013; G06K 9/00026; G06K  
 9/00919; G08B 13/1427; G08B 21/023;  
 E04H 12/08; E04H 12/12; E04H 12/2292  
 See application file for complete search history.

(56) **References Cited**

U.S. PATENT DOCUMENTS

1,816,966 A \* 8/1931 Gray ..... A01G 3/08  
 30/390  
 1,992,057 A \* 2/1935 Coolidge ..... B27K 3/08  
 144/24.1  
 3,369,331 A \* 2/1968 Deskey ..... E04H 12/003  
 248/219.2  
 D244,465 S \* 5/1977 Stoneman ..... D13/139.4  
 D260,184 S \* 8/1981 Whatley ..... D25/129  
 D349,580 S \* 8/1994 Sieler ..... D25/126

D517,483 S \* 3/2006 Nipke ..... D13/139.2  
 7,755,561 B2 7/2010 Slattery  
 D636,379 S \* 4/2011 Kim ..... D14/211  
 D695,424 S \* 12/2013 Dionne ..... D25/126  
 9,253,556 B1 2/2016 Pounds et al.  
 9,281,556 B2 3/2016 Slattery  
 D788,062 S \* 5/2017 Norrell ..... D13/139.4  
 D788,063 S \* 5/2017 Norrell ..... D13/139.4  
 D788,064 S \* 5/2017 Norrell ..... D13/139.4  
 D788,065 S \* 5/2017 Sabatino ..... D13/139.4  
 D794,619 S \* 8/2017 Kim ..... D14/239  
 D795,465 S \* 8/2017 Deffense ..... D25/126  
 2004/0080461 A1 \* 4/2004 Rothgeb ..... H01Q 1/424  
 343/720  
 2005/0264465 A1 12/2005 Baker  
 2005/0285011 A1 12/2005 Harwood  
 2011/0085322 A1 4/2011 Myer  
 2012/0256810 A1 10/2012 Caldwell et al.  
 2016/0215518 A1 \* 7/2016 Villman ..... E04H 12/12  
 2017/0214115 A1 \* 7/2017 Norrell ..... H01Q 1/1242

\* cited by examiner

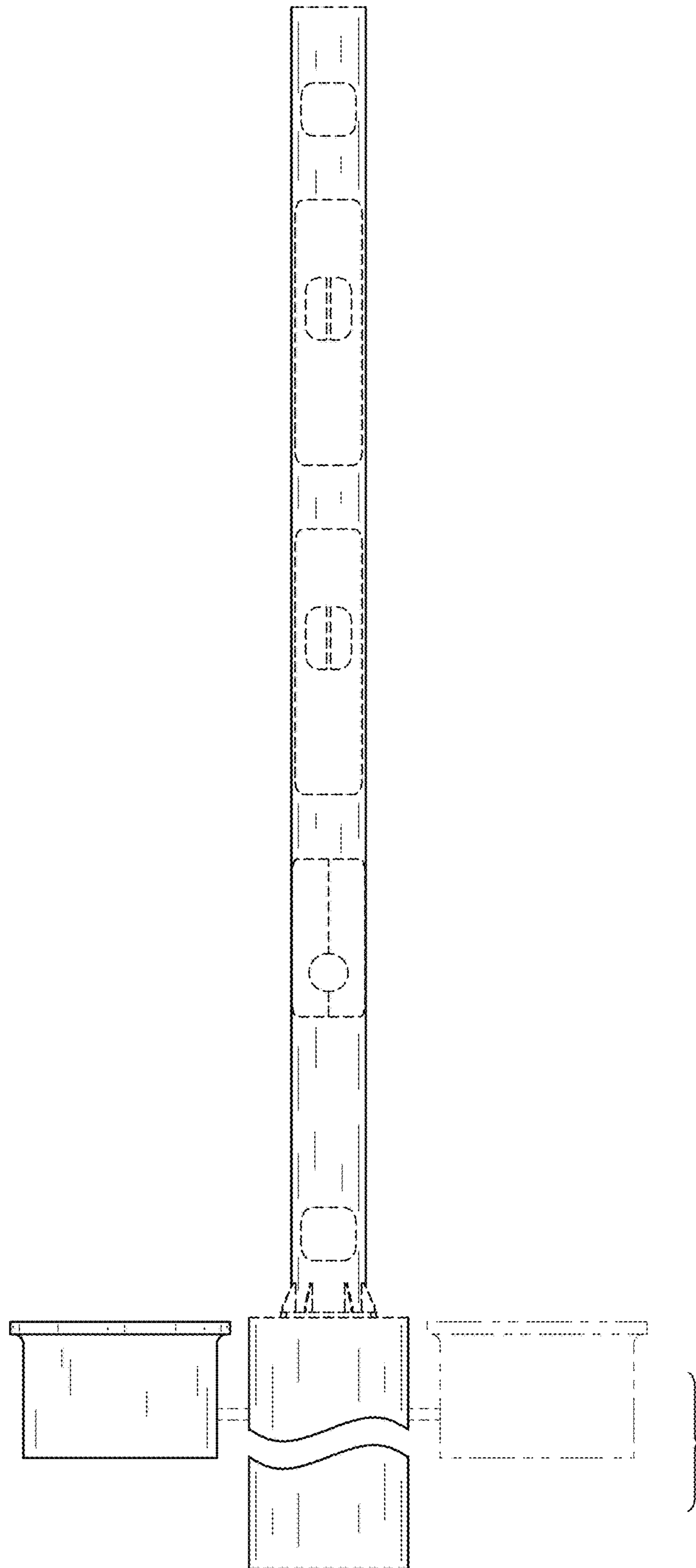


FIG. 1

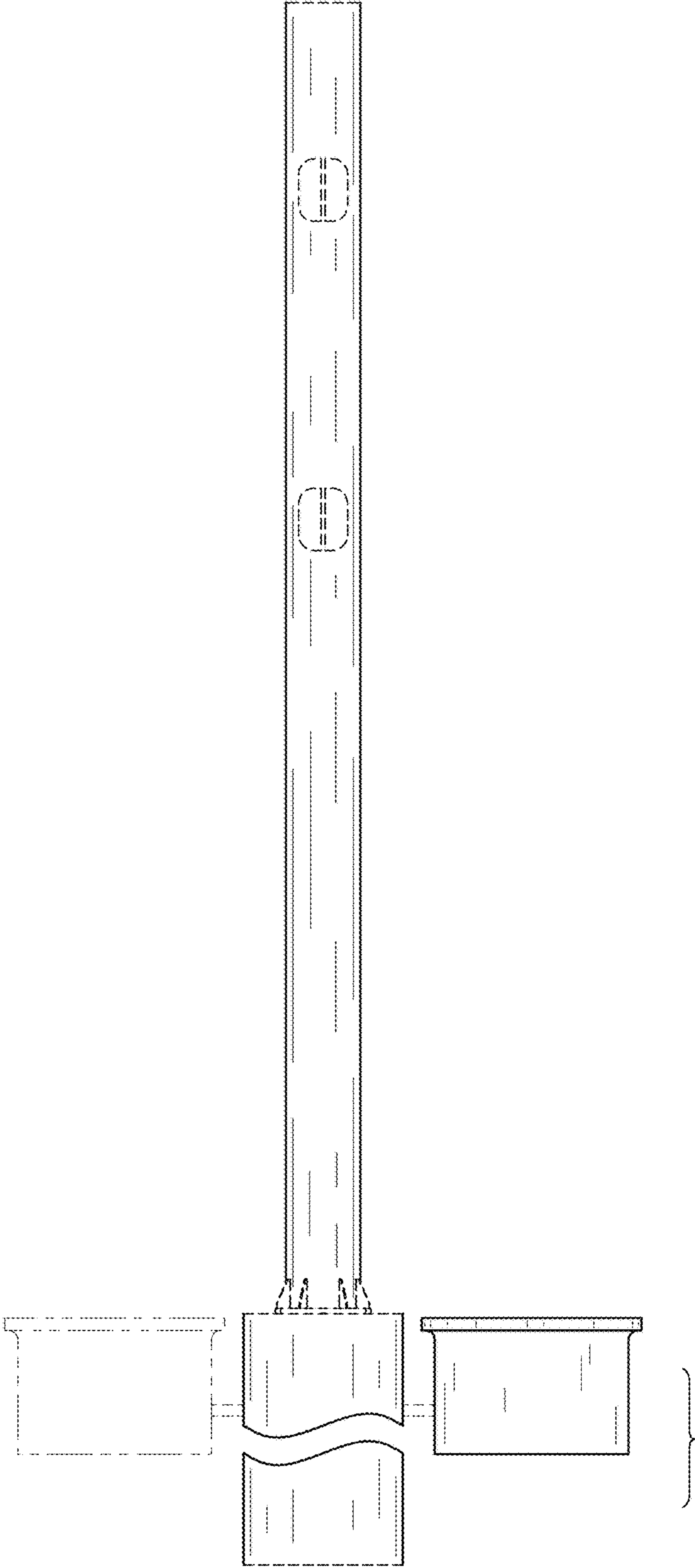


FIG. 2

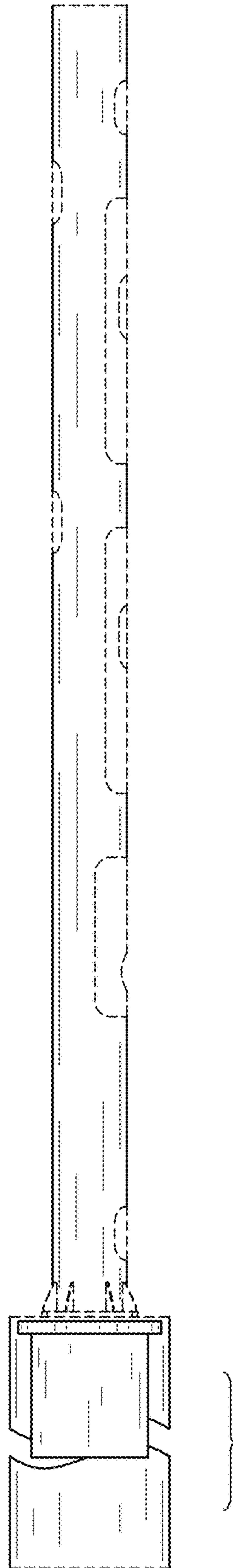


FIG. 3

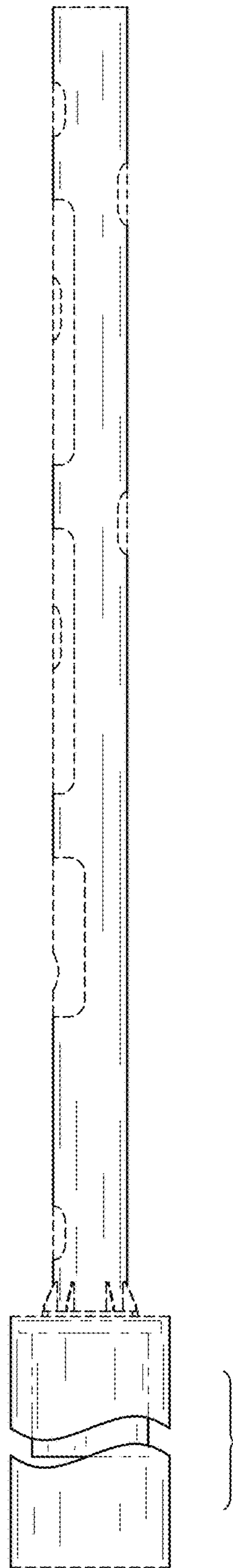
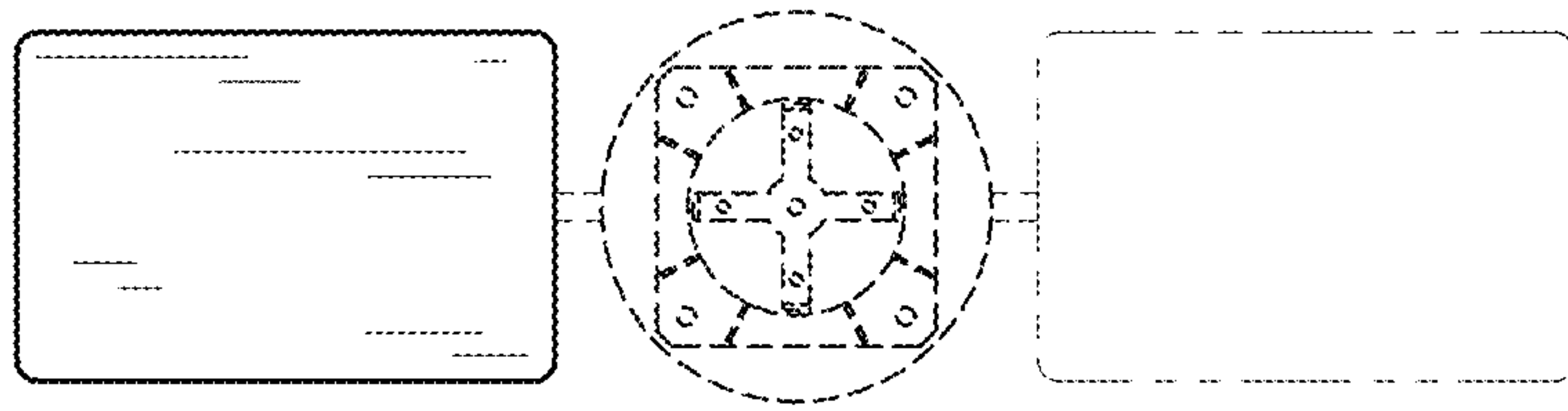
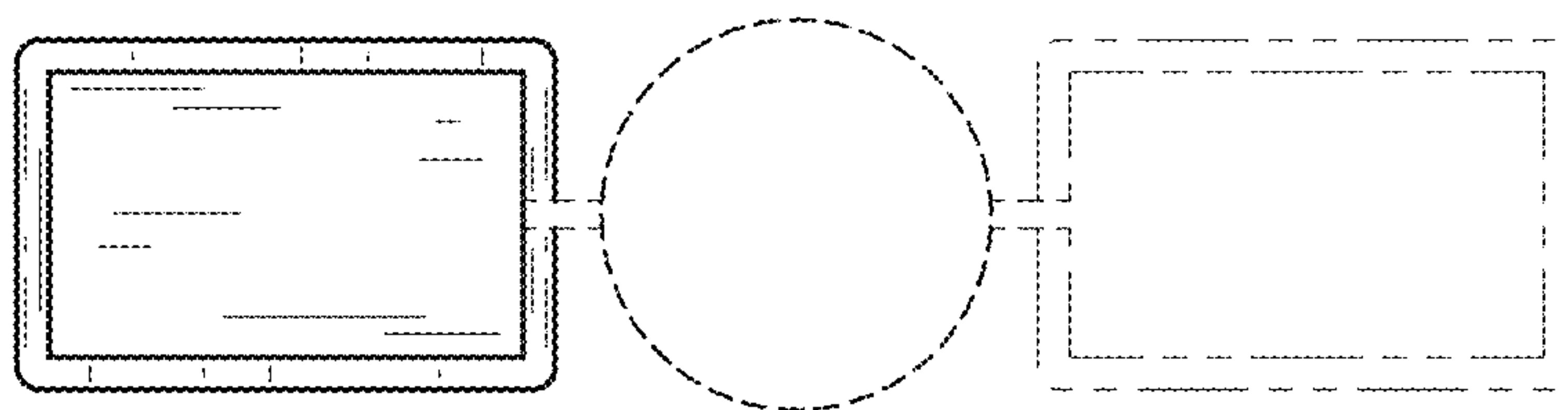


FIG. 4





**FIG. 5**



**FIG. 6**

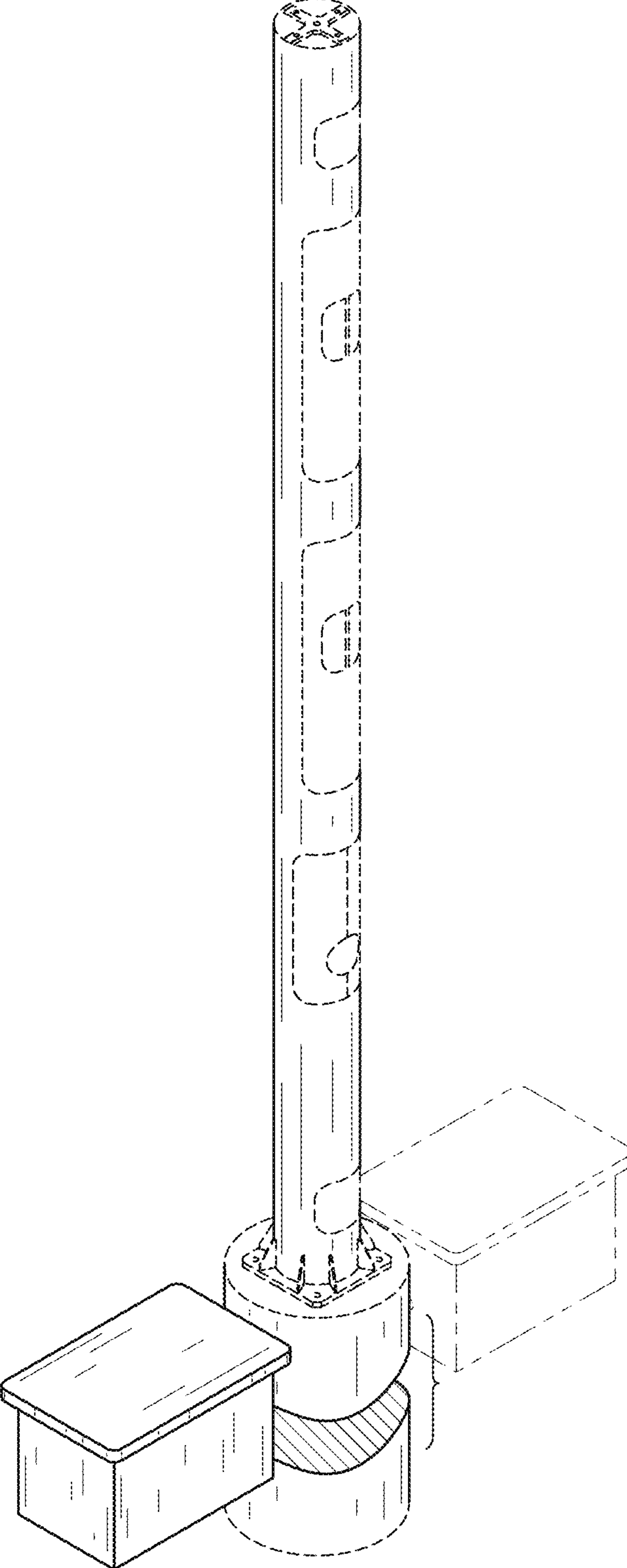


FIG. 7



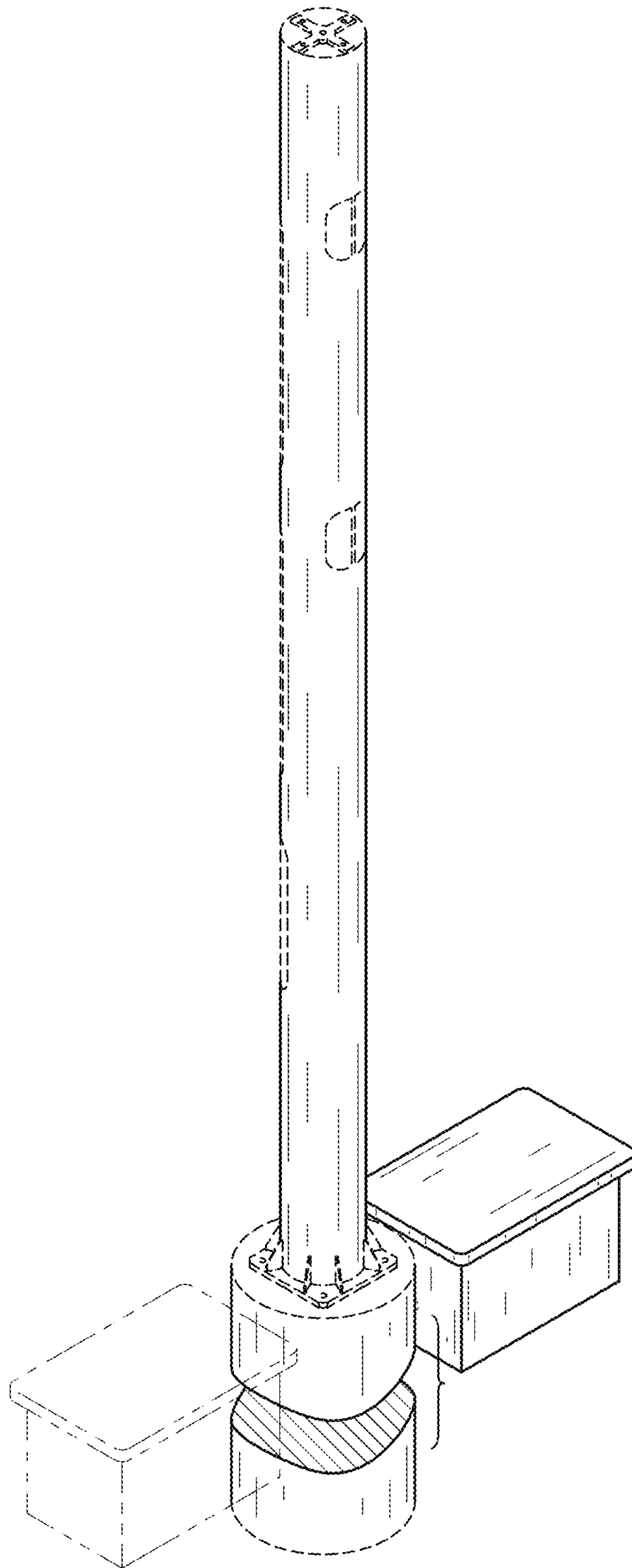


FIG. 8