



US00D817917S

(12) **United States Design Patent**
Norrell

(10) **Patent No.:** **US D817,917 S**

(45) **Date of Patent:** **** May 15, 2018**

(54) **COMBINED RADIO AND POWER POLE WITH BENCH SEATING**

(71) Applicant: **Sabre Industries Inc.**, Alvarado, TX (US)

(72) Inventor: **Lance Norrell**, Venus, TX (US)

(73) Assignee: **Sabre Industries Inc.**, Alvarado, TX (US)

(**) Term: **15 Years**

(21) Appl. No.: **29/603,840**

(22) Filed: **May 12, 2017**

Related U.S. Application Data

(63) Continuation of application No. 29/552,909, filed on Jan. 27, 2016, now Pat. No. Des. 788,064.

(51) **LOC (11) Cl.** **14-03**

(52) **U.S. Cl.**
USPC **D14/188**; D25/126; D13/139.4; D14/213

(58) **Field of Classification Search**

USPC ... D14/140, 140.1, 140.2, 140.5, 140.6, 162, D14/167-169, 175, 179, 188, 194-198, D14/204, 210-217, 240, 257, 265, 299, D14/496; D13/102, 139.2, 139.4, 139.5, D13/184; D25/125, 126, 129, 132

CPC H04M 1/67; H04M 2250/12; H04N 7/15; G06K 9/00013; G06K 9/00026; G06K 9/00919; G08B 13/1427; G08B 21/023; E04H 12/08; E04H 12/12; E04H 12/2292

See application file for complete search history.

(56) **References Cited**

U.S. PATENT DOCUMENTS

1,521,285 A * 12/1924 Erickson E04H 12/2292 52/170
1,579,965 A * 4/1926 Cyril E04H 12/08 52/834

1,816,966 A * 8/1931 Gray A01G 3/08 30/390
1,992,057 A * 2/1935 Coolidge B27K 3/08 144/24.1
3,369,331 A * 2/1968 Deskey E04H 12/003 248/219.2

(Continued)

FOREIGN PATENT DOCUMENTS

WO 9853522 11/1998

OTHER PUBLICATIONS

Notification of Transmittal of the International Search Report and The Written Opinion of the International Searching Authority—May 1, 2017.

Primary Examiner — Keli L Hill

(74) *Attorney, Agent, or Firm* — Ryan T. Grace; Advent, LLP

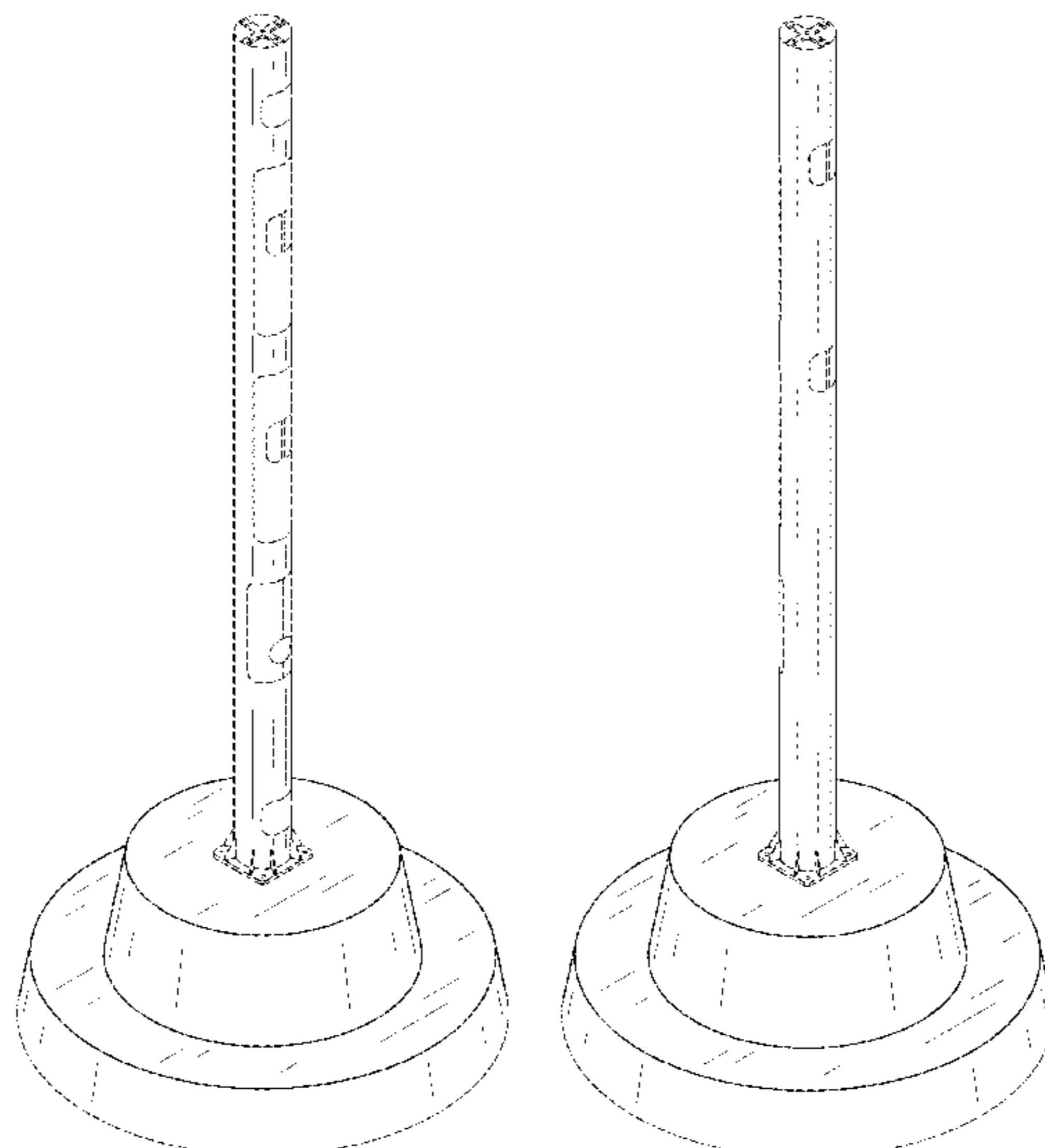
(57) **CLAIM**

The ornamental design for a combined radio and power pole with bench seating, as shown and described.

DESCRIPTION

FIG. 1 is a front elevation view of a combined radio and power pole with bench seating, embodying my new design; FIG. 2 is a rear elevation view thereof; FIG. 3 is a left side elevation view thereof; FIG. 4 is a right side elevation view thereof; FIG. 5 is a top plan view thereof; FIG. 6 is a bottom plan view thereof; FIG. 7 is an isometric view thereof; and, FIG. 8 is another isometric view thereof. Portions of FIGS. 1 through 8 are shown in broken lines illustrating portions of the article that form no part of the claimed design.

1 Claim, 7 Drawing Sheets



(56)

References Cited

U.S. PATENT DOCUMENTS

D244,465	S *	5/1977	Stoneman	D13/139.4
D260,184	S *	8/1981	Whatley	D25/129
D349,580	S *	8/1994	Sieler	D25/126
D517,483	S *	3/2006	Nipke	D13/139.2
7,755,561	B2	7/2010	Slattery		
D636,379	S *	4/2011	Kim	D14/211
D695,424	S *	12/2013	Dionne	D25/126
9,253,556	B1	2/2016	Pounds et al.		
9,281,556	B2	3/2016	Slattery		
D788,062	S *	5/2017	Norrell	D13/139.4
D788,063	S *	5/2017	Norrell	D13/139.4
D788,064	S *	5/2017	Norrell	D13/139.4
D788,065	S *	5/2017	Sabatino	D13/139.4
D794,619	S *	8/2017	Kim	D14/239
D795,465	S *	8/2017	Deffense	D25/126
2004/0080461	A1 *	4/2004	Rothgeb	H01Q 1/424 343/720
2005/0264465	A1	12/2005	Baker		
2005/0285011	A1	12/2005	Harwood		
2011/0085322	A1	4/2011	Myer		
2012/0256810	A1	10/2012	Caldwell et al.		
2016/0215518	A1 *	7/2016	Villman	E04H 12/12
2017/0214115	A1 *	7/2017	Norrell	H01Q 1/1242

* cited by examiner

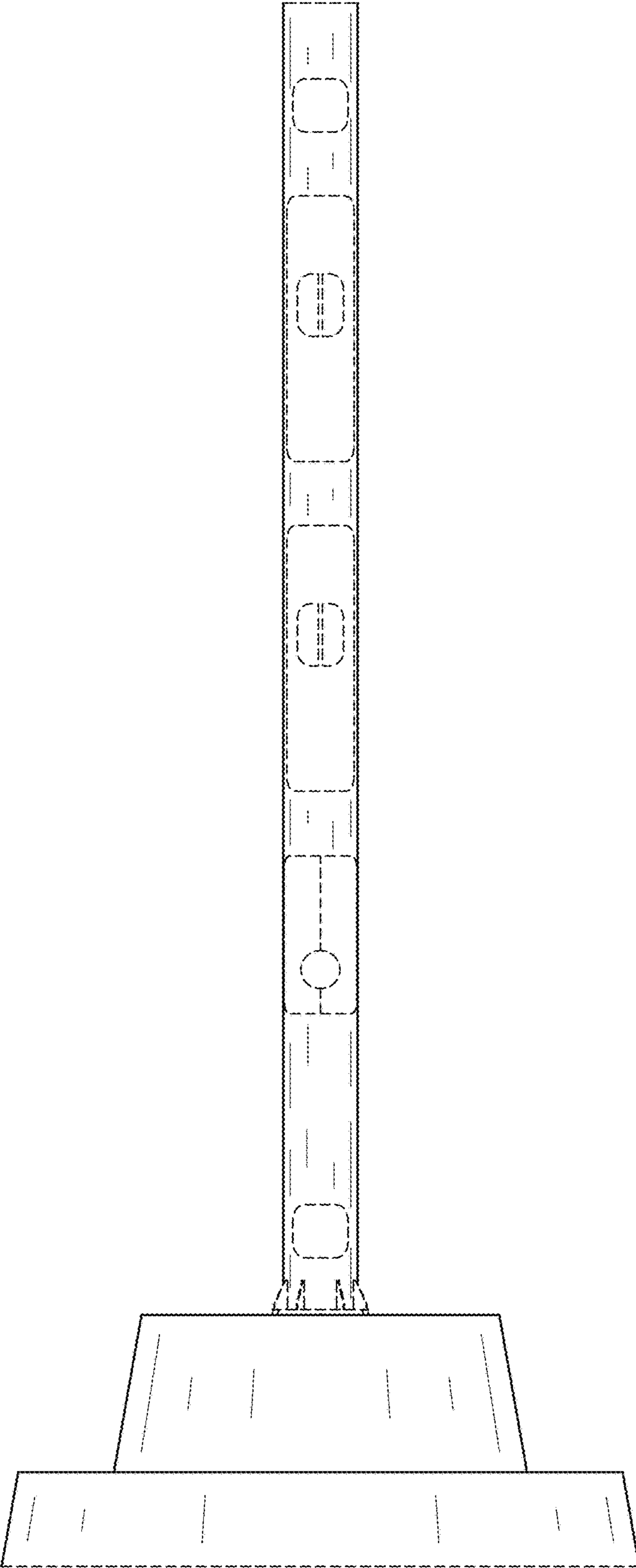


FIG. 1

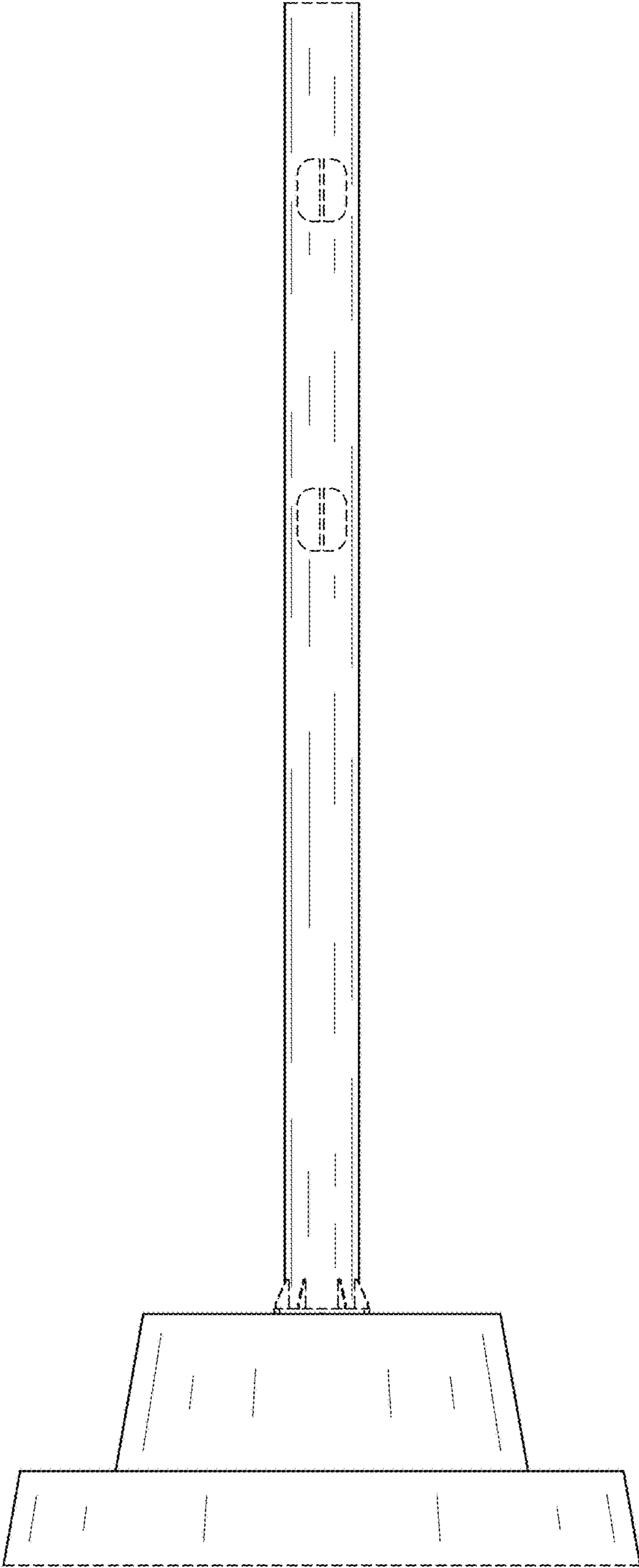


FIG. 2

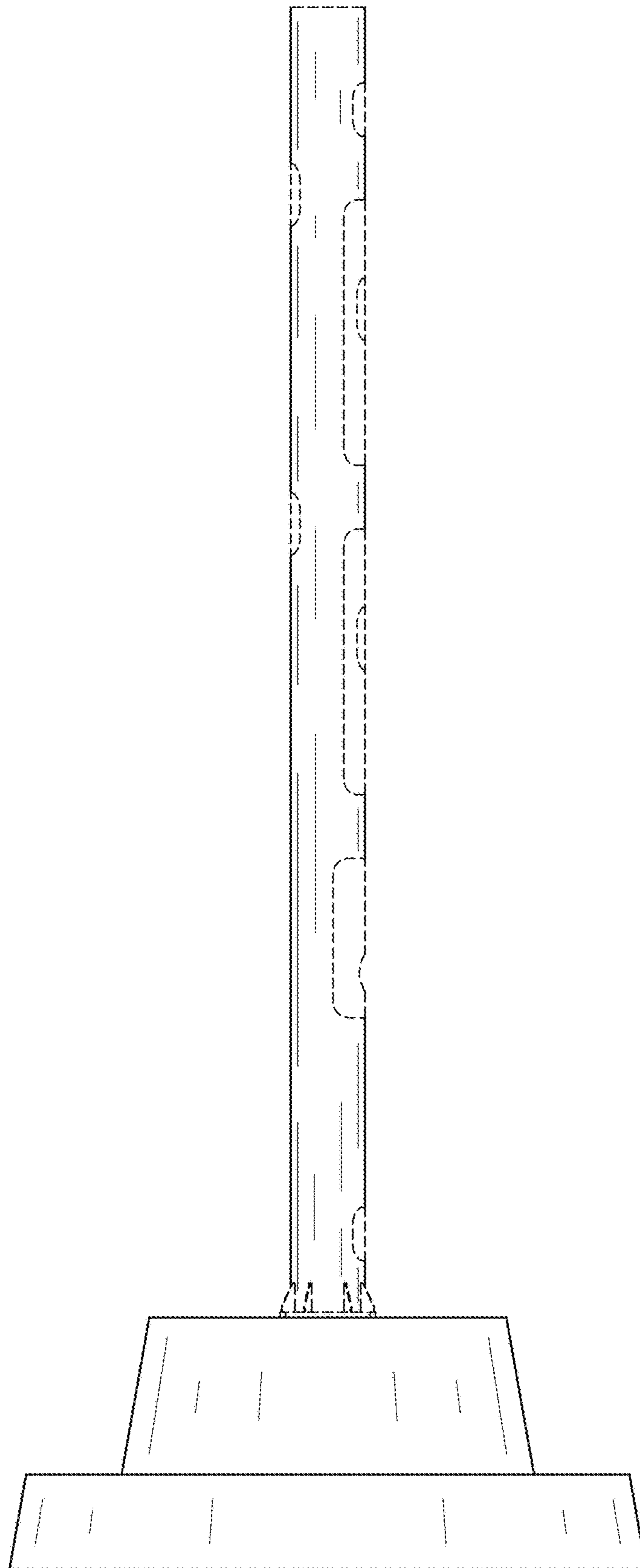


FIG. 3

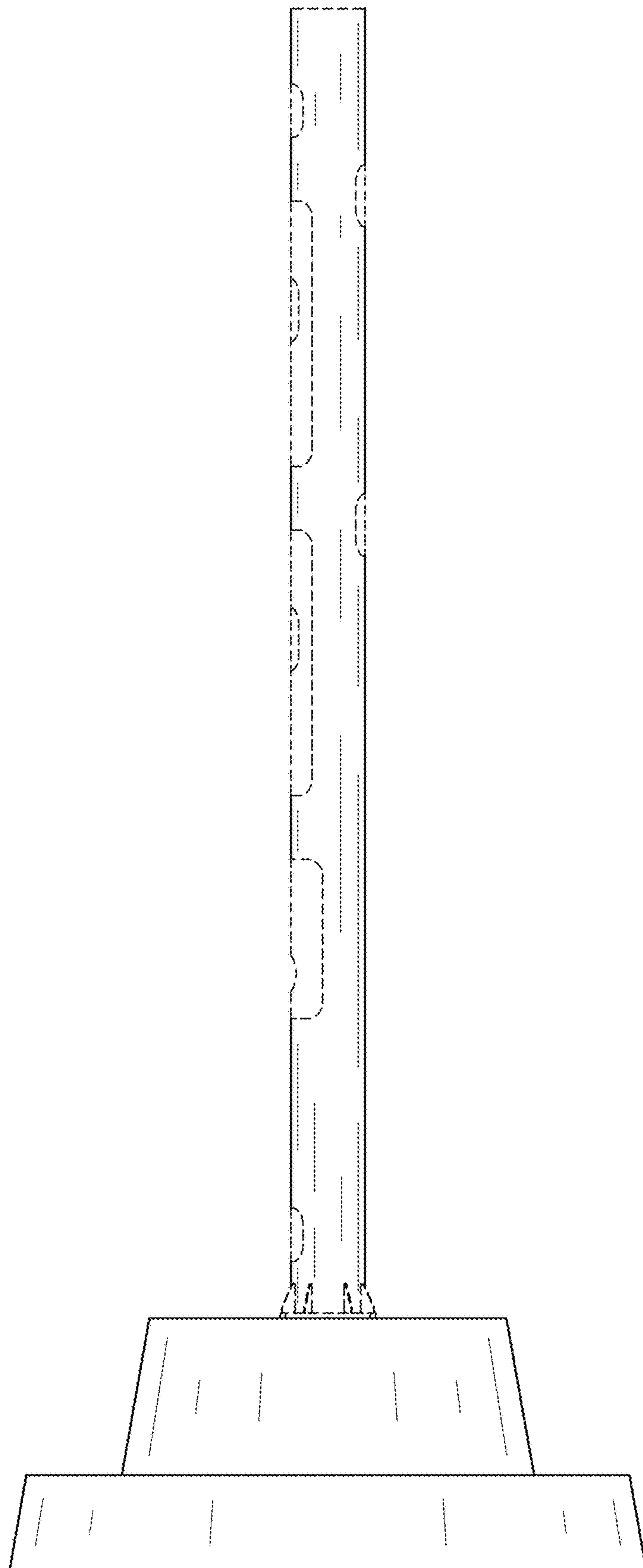


FIG. 4

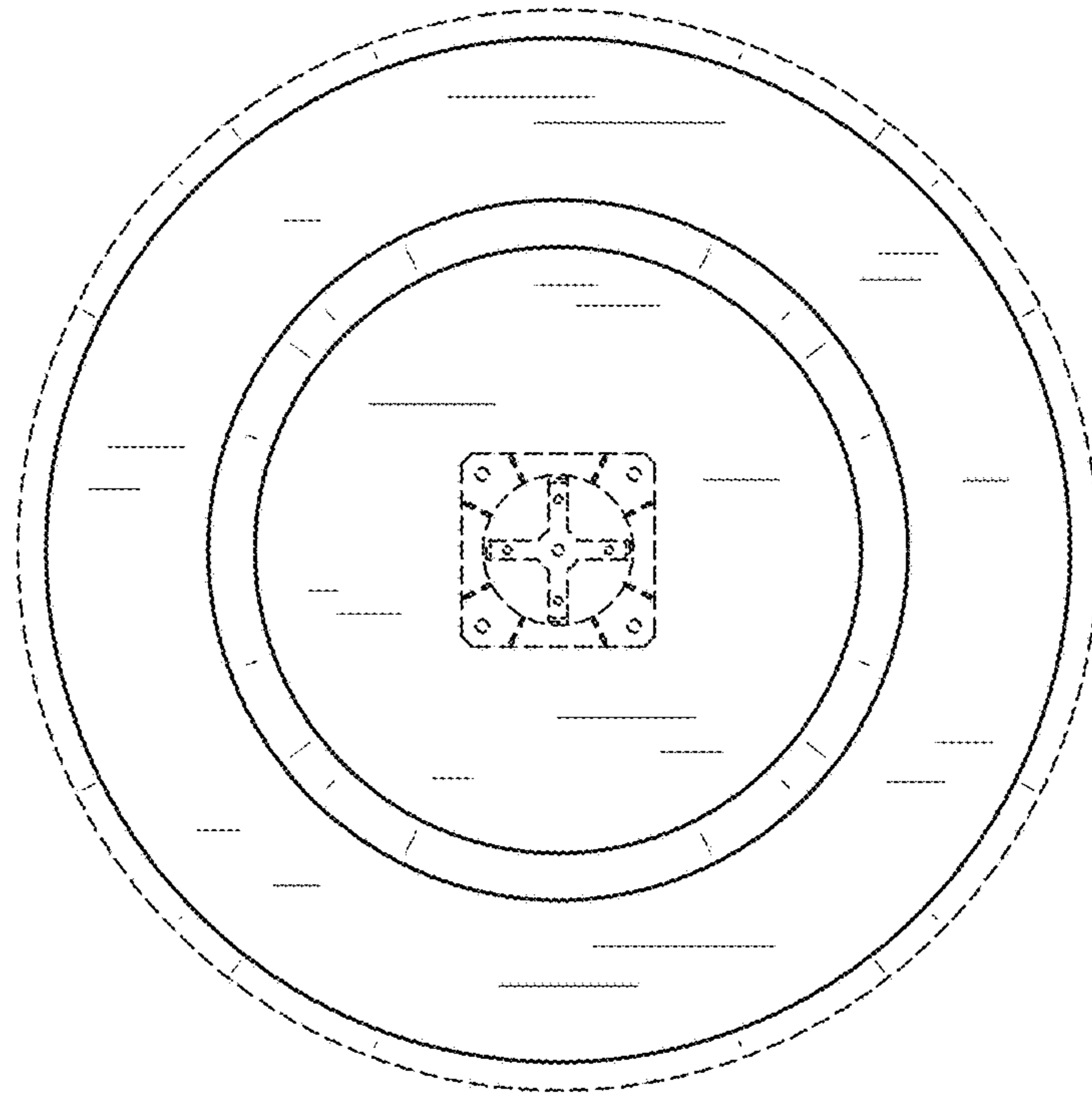


FIG. 5

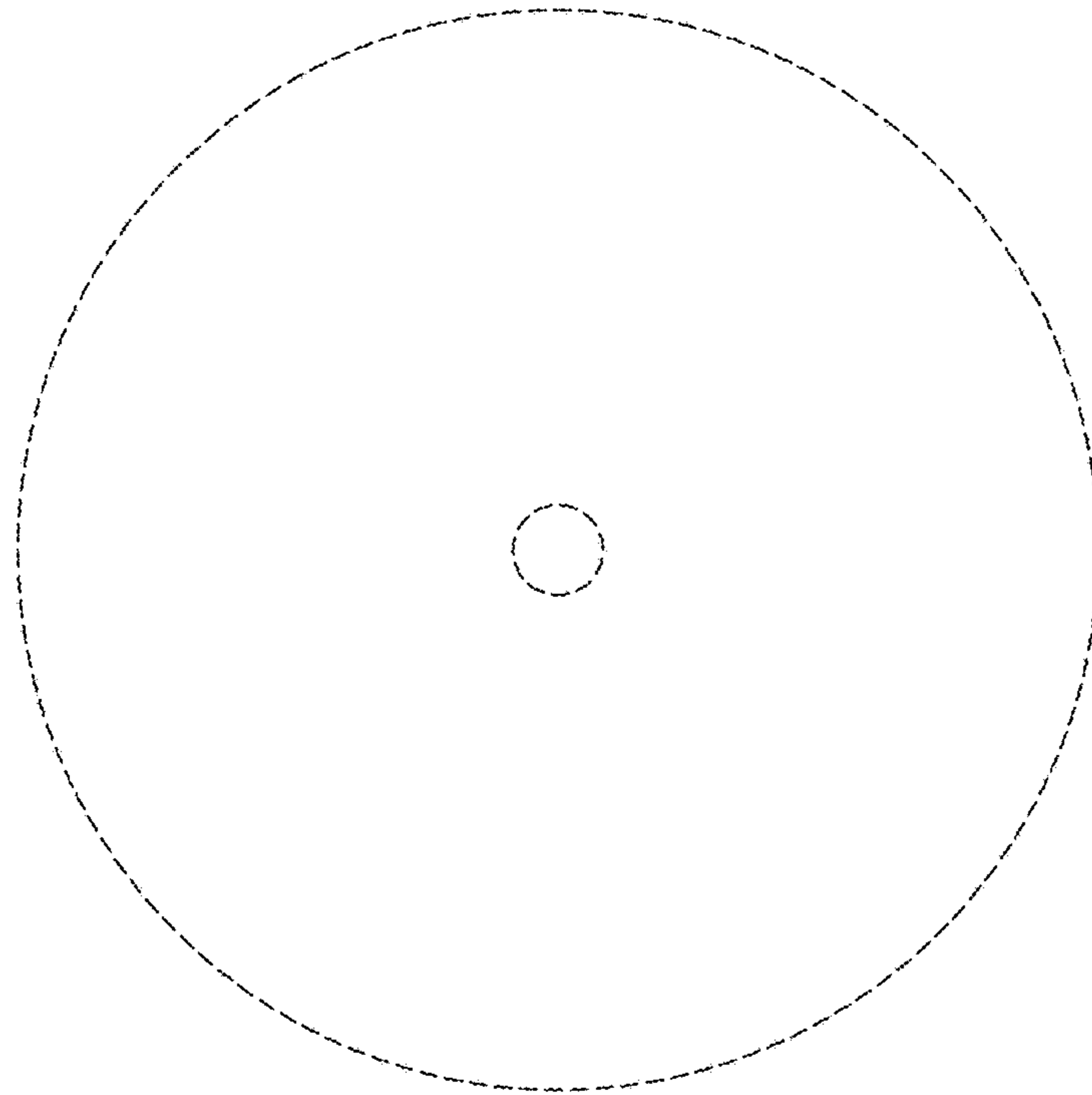


FIG. 6

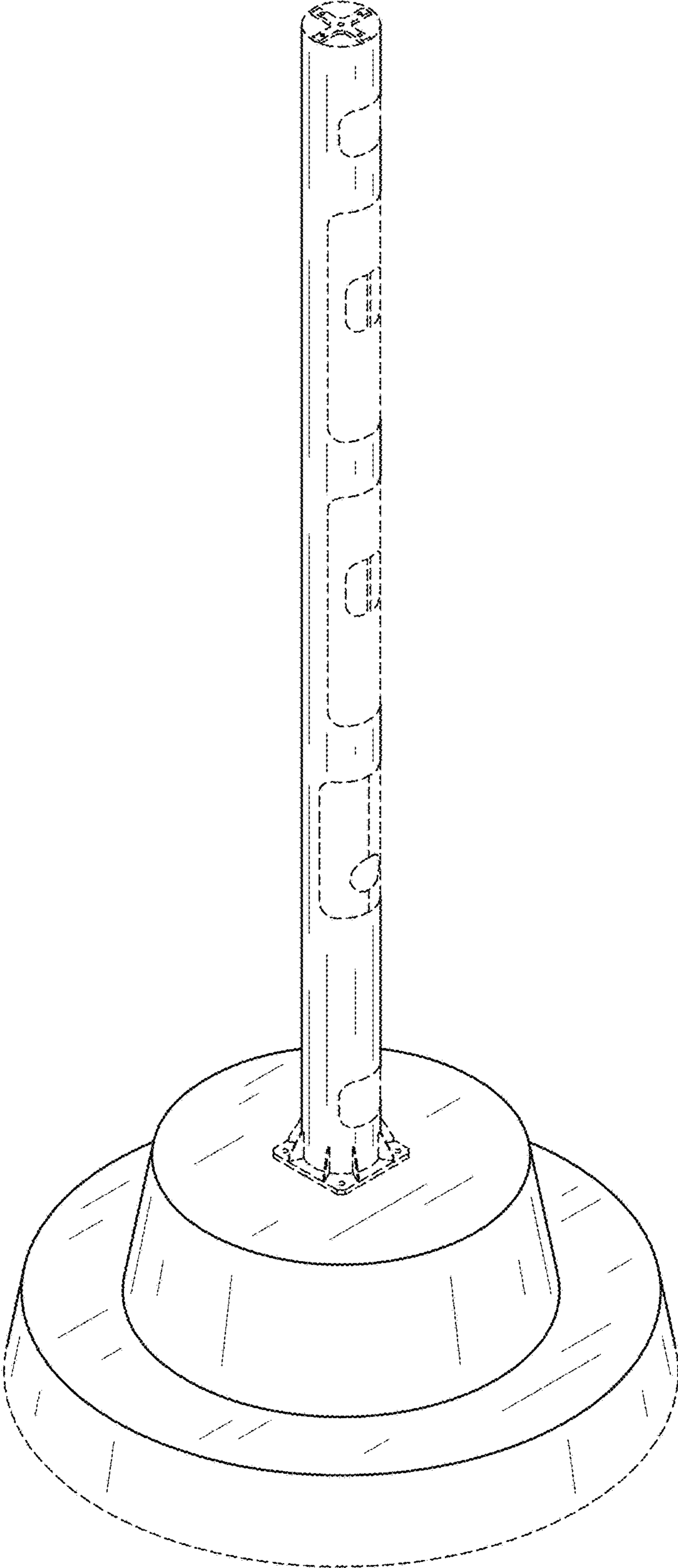


FIG. 7

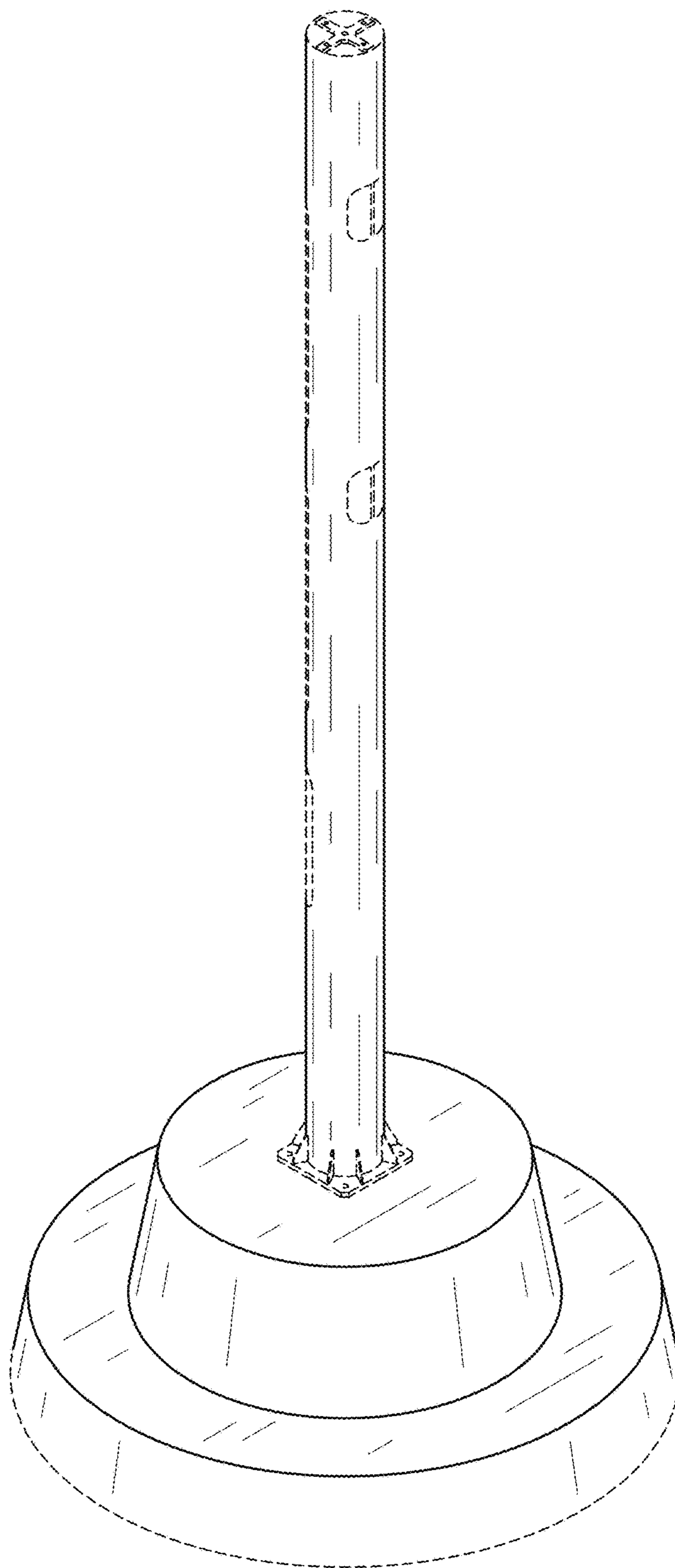


FIG. 8