



US00D817913S

(12) **United States Design Patent** (10) **Patent No.:** **US D817,913 S**
Martinez Sanchez et al. (45) **Date of Patent:** **** May 15, 2018**

(54) **TELECOMMUNICATIONS TERMINAL CABINET**

(71) Applicant: **Corning Optical Communications LLC**, Hickory, NC (US)

(72) Inventors: **Jose Martinez Sanchez**, Tamaulipas (MX); **Karyne Poissant Prevratil**, Fort Worth, TX (US); **David Kimondo Waruiru**, Fort Worth, TX (US)

(73) Assignee: **Corning Optical Communications LLC**, Hickory, NC (US)

(**) Term: **15 Years**

(21) Appl. No.: **29/562,919**

(22) Filed: **Apr. 29, 2016**

(51) **LOC (11) Cl.** **14-03**

(52) **U.S. Cl.**
USPC **D14/140.2**

(58) **Field of Classification Search**
USPC D14/140, 140.1, 140.2, 140.3, 140.4, D14/140.5, 140.6, 240, 242, 243, 299, D14/496, 308, 311, 356, 358, 444, 217, D14/432; D13/123, 152, 184, 199, 101, D13/110, 111, 112, 114, 160; D10/46, D10/75, 103, 104.1, 121; D6/663, 664, D6/668, 668.1; D23/314, 325, 333, 351
CPC H04Q 1/00; H04Q 1/025; H04Q 1/026; H04Q 1/06; H04Q 1/08; H05K 5/00; H05K 7/00; H05K 7/1488; H05K 7/20563; H05K 7/20581; H05K 9/0062
See application file for complete search history.

(56) **References Cited**

U.S. PATENT DOCUMENTS

D312,244 S * 11/1990 Collins D13/152
D373,771 S * 9/1996 Messelhi D13/184

D375,082 S * 10/1996 Messelhi D13/152
D385,850 S 11/1997 DiMichelle
D437,313 S 2/2001 Chen et al.
D463,412 S 9/2002 Bloemen
6,483,977 B2 11/2002 Battey et al.
D471,182 S * 3/2003 Cheung D14/240
6,621,975 B2 9/2003 Laporte et al.
6,654,536 B2 11/2003 Battey et al.
6,766,094 B2 7/2004 Smith et al.
6,798,967 B2 9/2004 Battey et al.
D507,241 S 7/2005 Koessler
6,953,890 B2 10/2005 Koessler
D532,380 S 11/2006 Castaldo et al.
D533,510 S 12/2006 Guercio

(Continued)

Primary Examiner — Janice Hallmark

Assistant Examiner — Marie D. Fast Horse

(74) *Attorney, Agent, or Firm* — Robert L. Branham

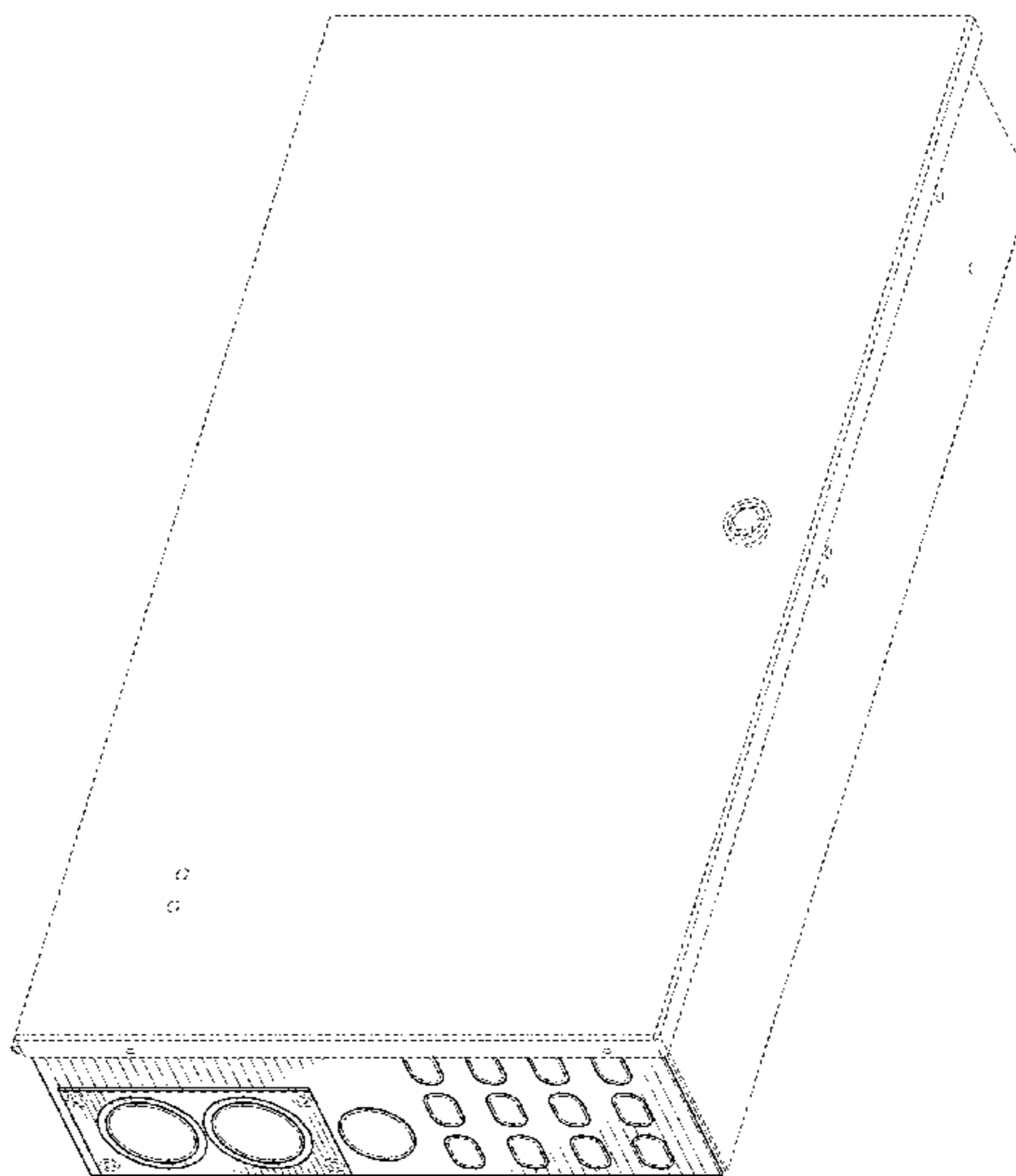
(57) **CLAIM**

The ornamental design for a telecommunications terminal cabinet, as shown and described.

DESCRIPTION

FIG. 1 is a front bottom right perspective view of our new design;
FIG. 2 is a front bottom left perspective view thereof;
FIG. 3 is a bottom view thereof;
FIG. 4 is a front view thereof;
FIG. 5 is a top view thereof;
FIG. 6 is a rear view thereof;
FIG. 7 is a left side view thereof; and,
FIG. 8 is a right side view thereof.
The dashed lines in the Figures depict parts of the telecommunication terminal cabinet that form no part of the claimed design. The broken lines consisting of a dash and a dot represent the boundary of the claim, which extends to the boundary but does not include the boundary; the dash-dot broken lines form no part of the claim.

1 Claim, 7 Drawing Sheets



(56)

References Cited

U.S. PATENT DOCUMENTS

D569,754	S	5/2008	Kume	
7,431,594	B2	10/2008	Castaldo et al.	
D598,024	S *	8/2009	Scott et al.	D14/432
D598,456	S *	8/2009	Vaughan	D14/444
D598,457	S *	8/2009	Vaughan	D14/444
D600,251	S *	9/2009	Poandl	D14/168
D615,541	S *	5/2010	Hamilton	D14/356
D619,585	S *	7/2010	Wang	D14/444
D627,346	S *	11/2010	Miyazoe	D13/110
D632,689	S *	2/2011	Busri	D14/313
D635,561	S *	4/2011	Nakashima	D14/240
D654,066	S *	2/2012	Yi	D14/240
D656,158	S *	3/2012	Andre	D14/496
D682,280	S *	5/2013	Vaughan	D14/444
D693,798	S *	11/2013	Chuang	D14/240
D702,198	S *	4/2014	Gretz	D13/152
D704,175	S *	5/2014	Arvidsson	D14/240
D705,231	S *	5/2014	McClelland	D14/444
D705,232	S *	5/2014	McClelland	D14/444
D705,233	S *	5/2014	McClelland	D14/444
D740,293	S *	10/2015	Kuehn	D14/444
D748,093	S *	1/2016	Russette	D14/356
D748,627	S *	2/2016	Russette	D14/356
D748,638	S *	2/2016	Russette	D14/444
D753,110	S *	4/2016	Takano	D14/358
D765,087	S *	8/2016	Russette	D14/444
D767,545	S *	9/2016	Jeon	D14/240
D767,546	S *	9/2016	Kwak	D14/240
D767,547	S *	9/2016	Kwak	D14/240
9,444,190	B2 *	9/2016	Duran	H01R 4/2404
2008/0205843	A1 *	8/2008	Castonguay	G02B 6/3897 385/135
2010/0247053	A1 *	9/2010	Cowen	G02B 6/4459 385/135

* cited by examiner

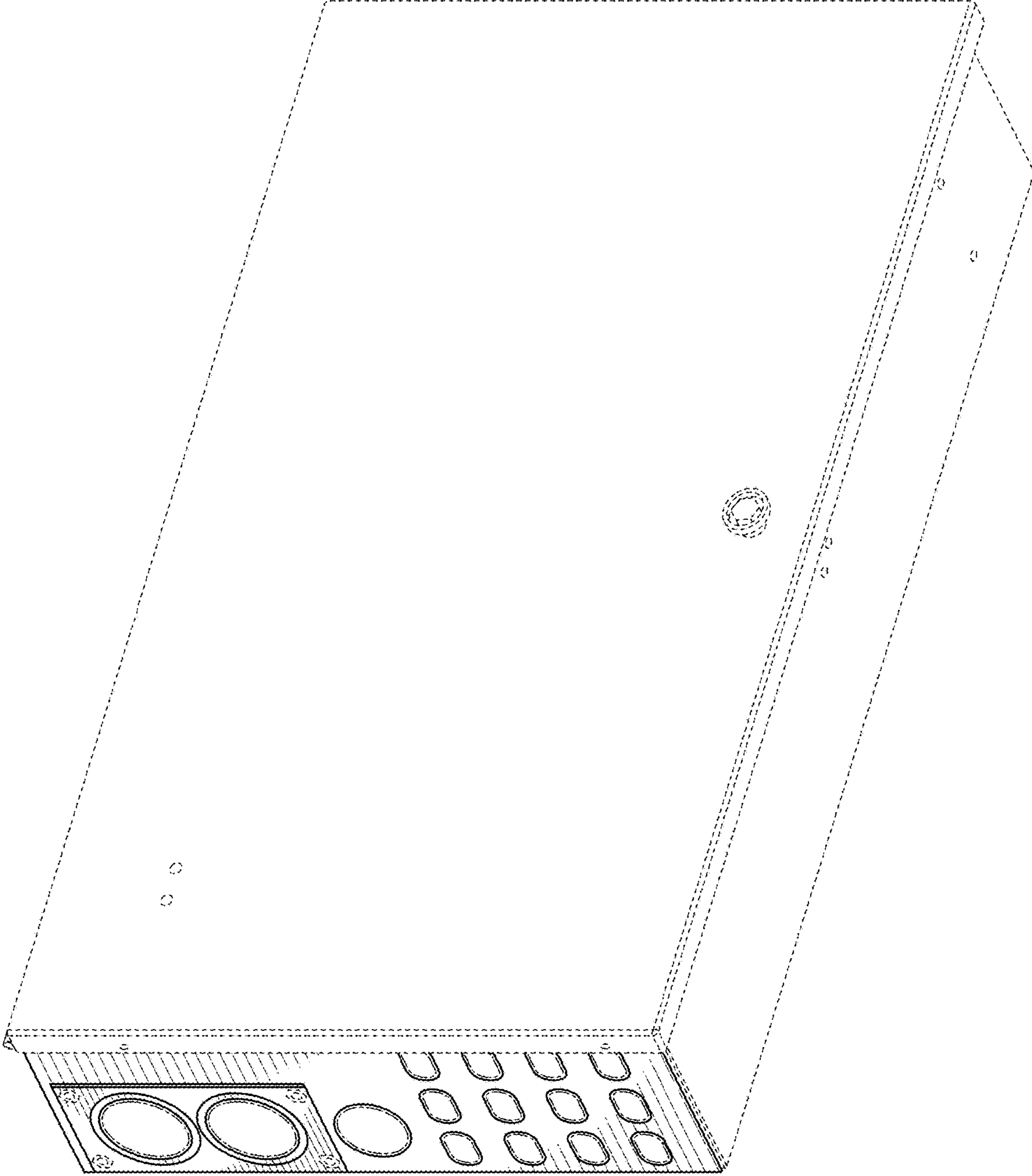


FIG. 1

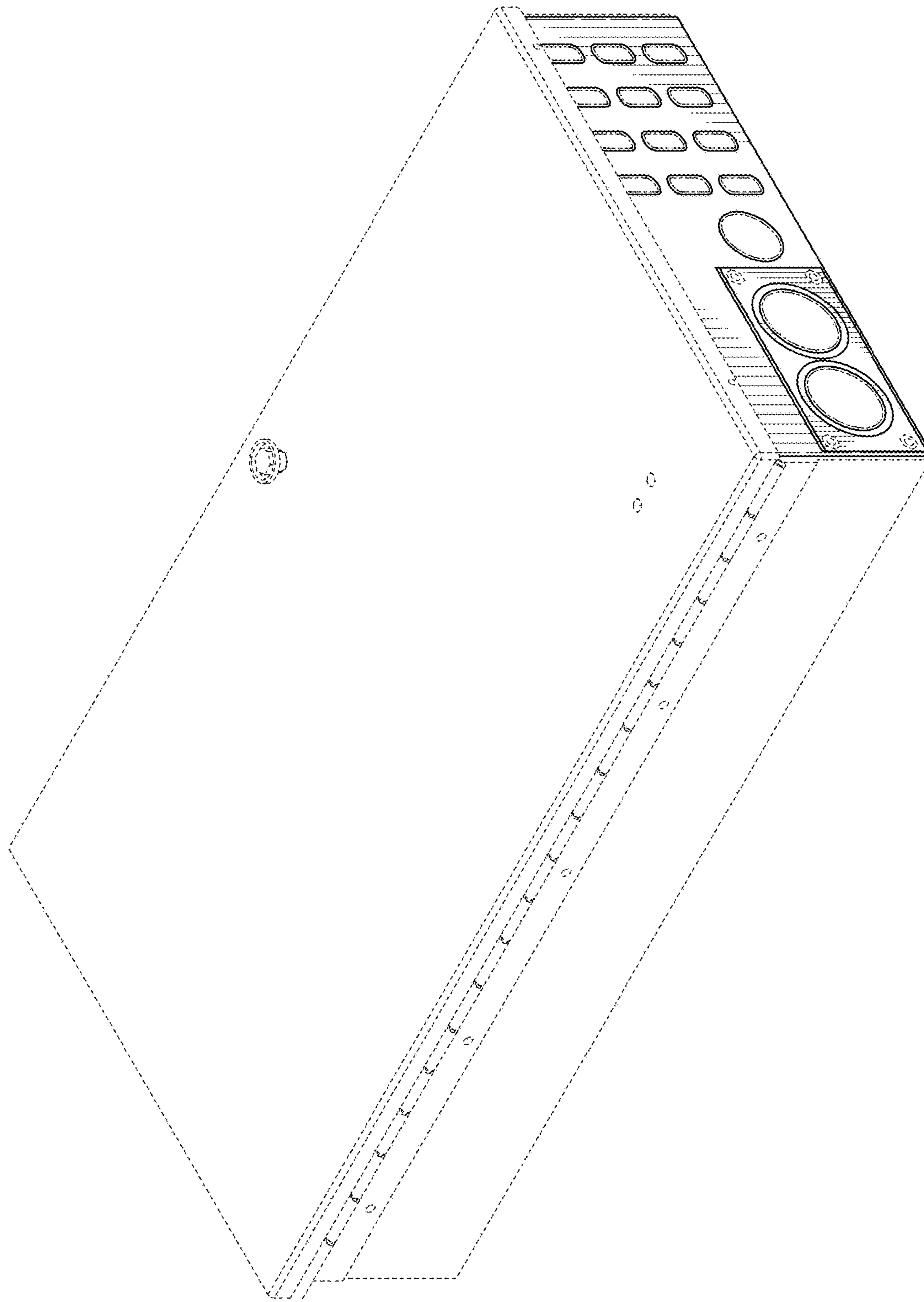


FIG. 2

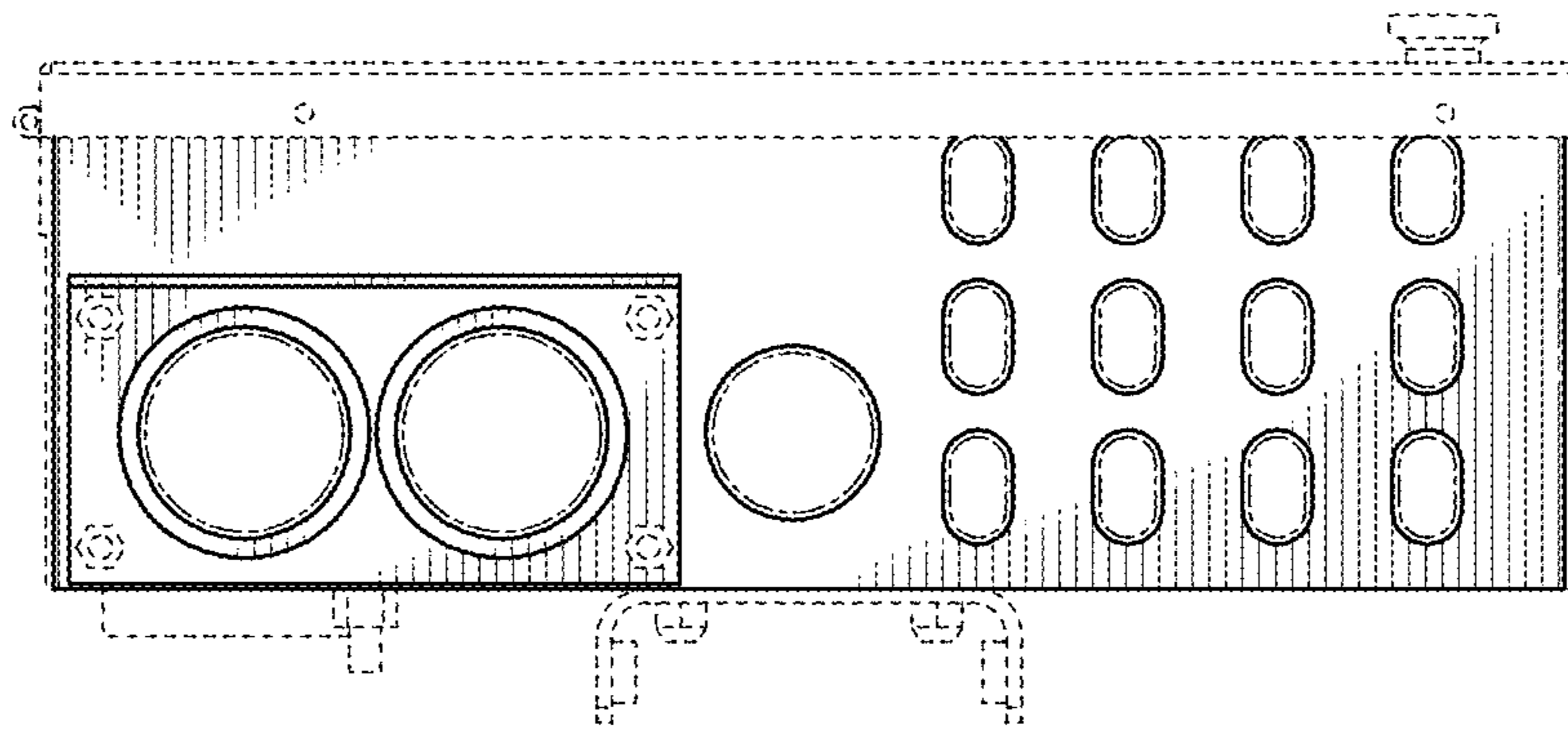


FIG. 3

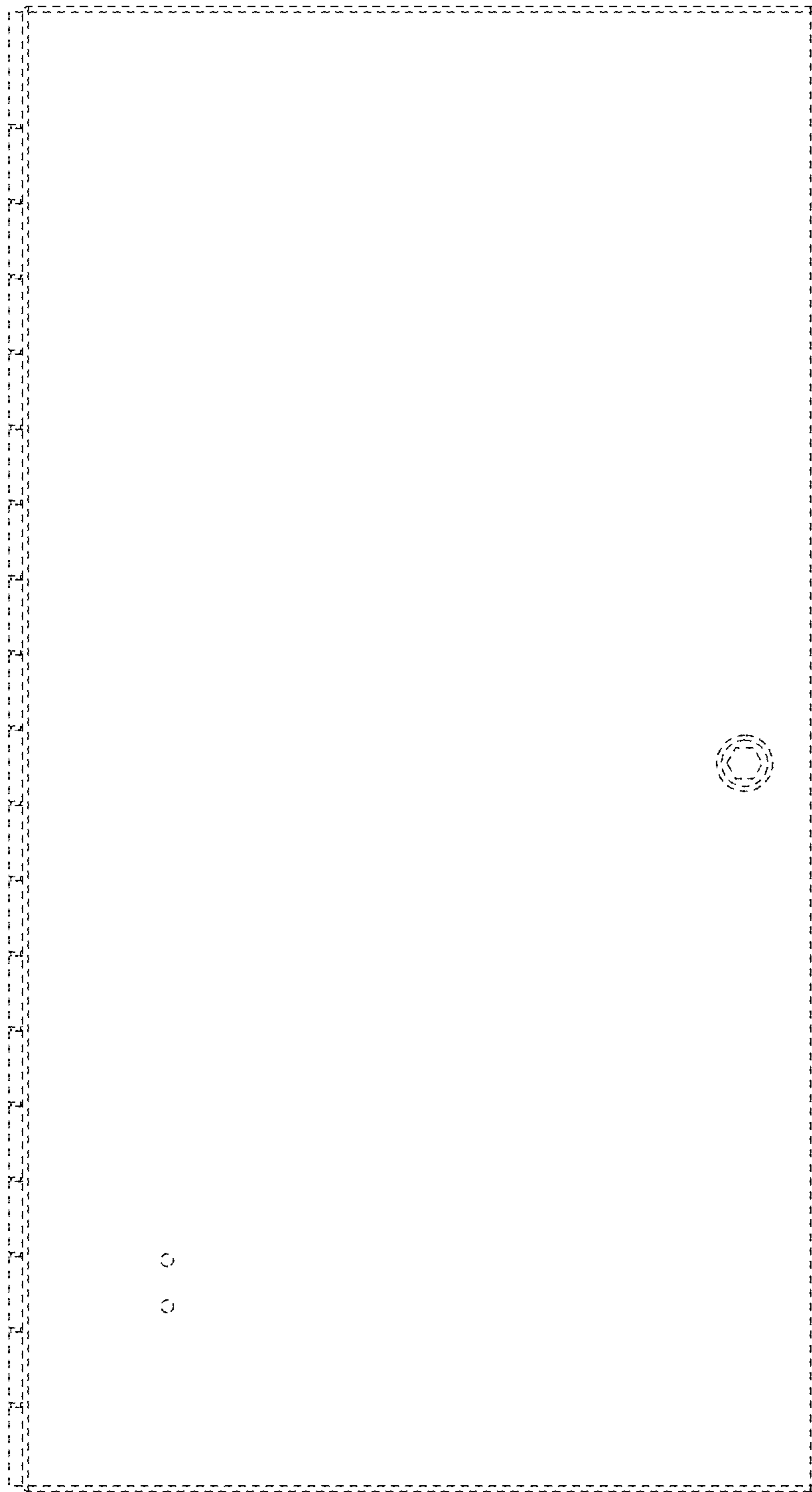


FIG. 4

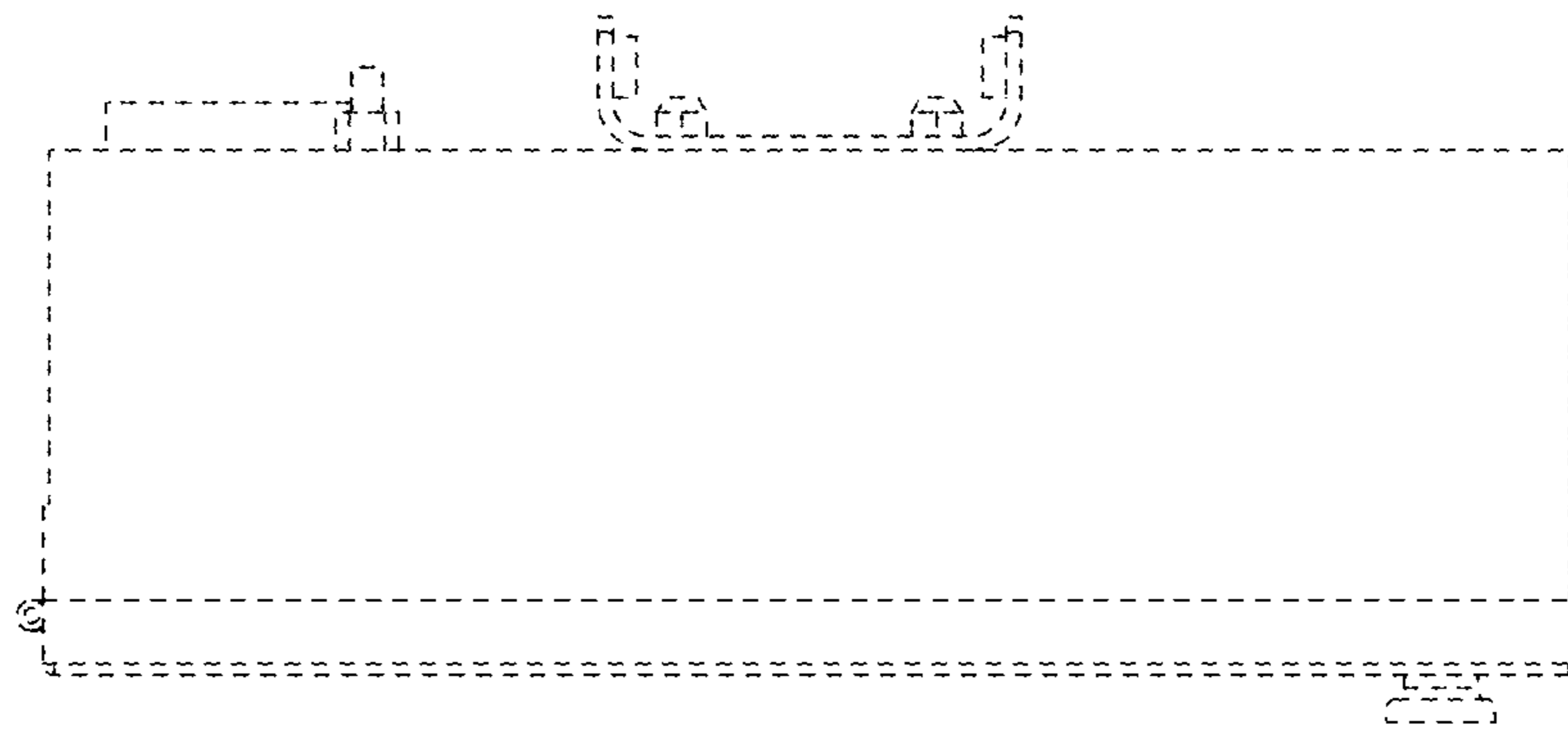


FIG. 5

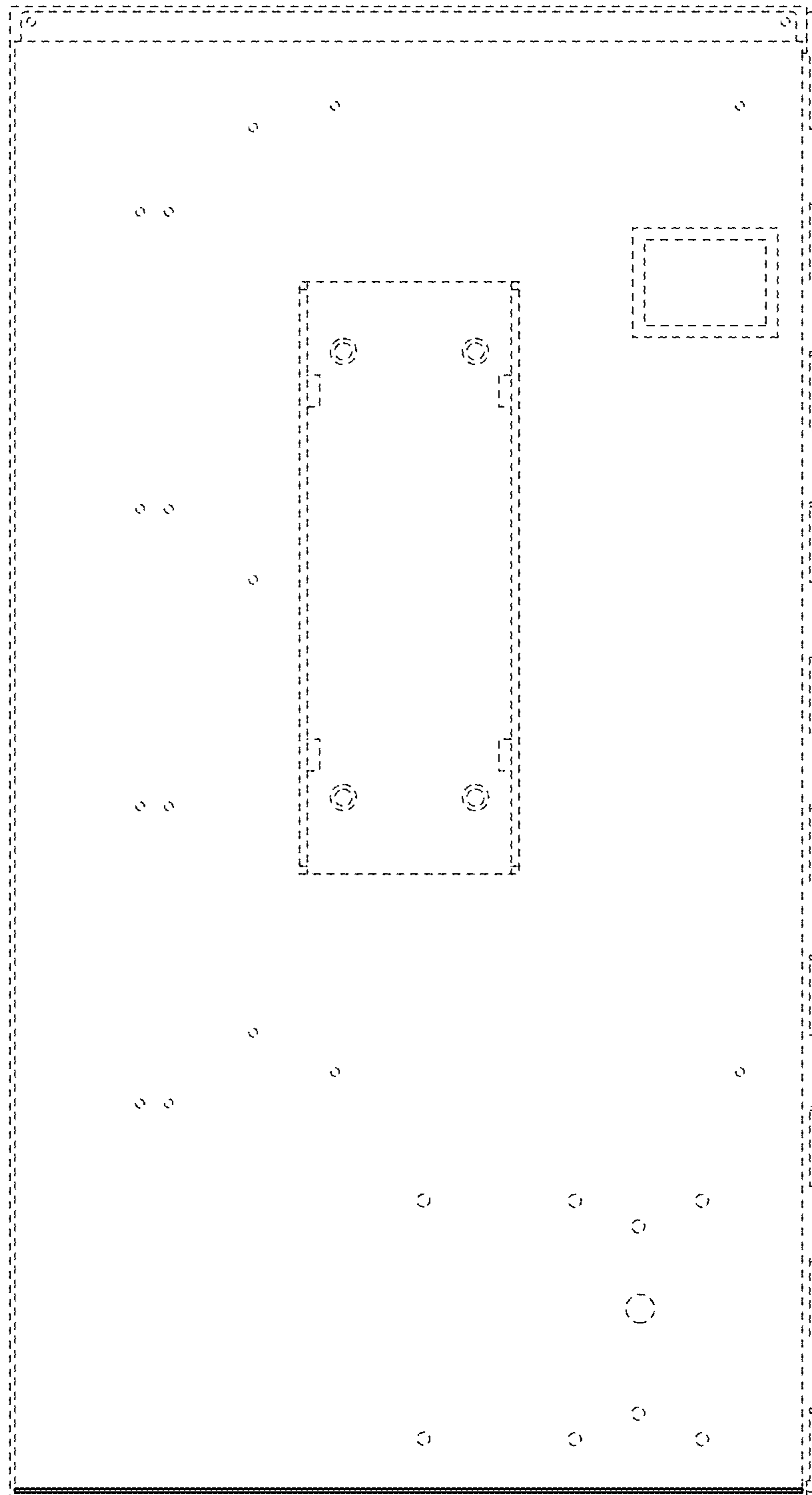


FIG. 6

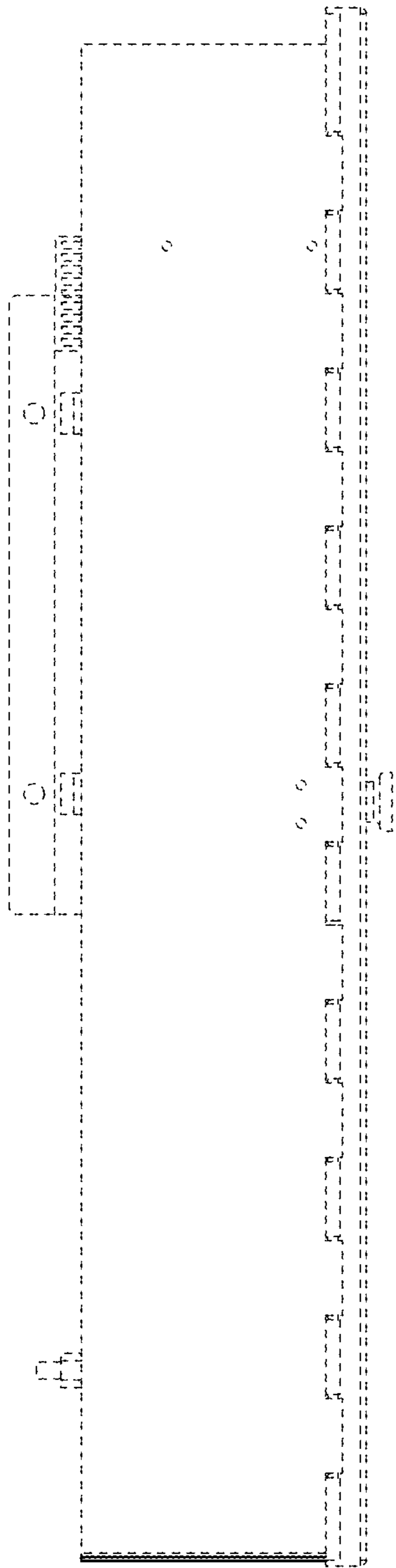


FIG. 7

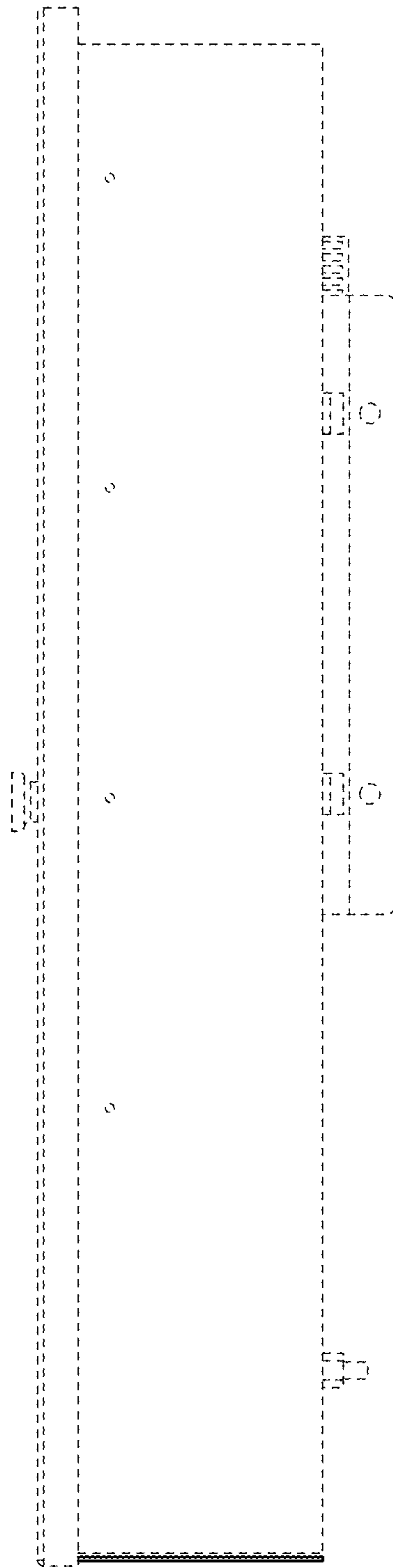


FIG. 8