



US00D817912S

(12) **United States Design Patent** (10) **Patent No.:** **US D817,912 S**
Choi et al. (45) **Date of Patent:** **** *May 15, 2018**

(54) **ELECTRONIC DEVICE**
(71) Applicant: **Samsung Electronics Co., Ltd.**,
Suwon-si (KR)
(72) Inventors: **Hyok-Su Choi**, Seoul (KR);
Hyoung-Shin Park, Seongnam-si (KR);
Yun-Jin Kim, Seoul (KR)
(73) Assignee: **SAMSUNG ELECTRONICS CO.,**
LTD., Suwon-si (KR)
(*) Notice: This patent is subject to a terminal dis-
claimer.
(**) Term: **15 Years**
(21) Appl. No.: **29/605,232**
(22) Filed: **May 24, 2017**
(30) **Foreign Application Priority Data**

D701,192 S * 3/2014 Park D14/138 G
D706,738 S * 6/2014 Kim D14/138 G
D740,774 S 10/2015 Im
D742,347 S * 11/2015 Kim D14/138 G
D743,366 S * 11/2015 Ryu D14/138 G
D744,992 S * 12/2015 Lee D14/248
D746,245 S * 12/2015 Ryu D14/138 G
D750,588 S * 3/2016 Kim D14/138 G
D755,151 S * 5/2016 Kim D14/138 G
D776,075 S * 1/2017 Kim D14/138 G
D782,456 S * 3/2017 Park D14/248
D782,457 S * 3/2017 Park D14/248
D783,557 S * 4/2017 Lee D14/138 G
D783,561 S * 4/2017 Lee D14/138 G
D783,567 S * 4/2017 Park D14/138 G
D783,586 S * 4/2017 Park D14/248
D784,279 S * 4/2017 Lee D14/138 G
D786,848 S * 5/2017 Park D14/248
D786,849 S * 5/2017 Park D14/248
D786,850 S * 5/2017 Park D14/248
D788,089 S * 5/2017 Park D14/248
D789,314 S * 6/2017 Lee D14/138 G
D791,112 S * 7/2017 Park D14/248
D792,874 S * 7/2017 Lee D14/248
2016/0234361 A1 * 8/2016 Baek H04M 1/0262
2017/0063421 A1 * 3/2017 Moon H04B 1/3888

Dec. 9, 2016 (KR) 30-2016-0059959
(51) **LOC (11) Cl.** **14-03**
(52) **U.S. Cl.**
USPC **D14/138 G**
(58) **Field of Classification Search**
USPC D14/138 AA, 138 AB, 138 AC, 138 AD,
D14/138 C, 138 G, 138 R, 248, 315-318,
D14/341, 342, 345, 346, 203.1, 203.3,
D14/203.7, 250; D21/329
CPC .. H04M 1/027; H04M 1/0202; H04M 1/0279;
H04M 1/0235; H04M 1/0237; H04M
1/0239; H04M 1/0266; H04M 1/0268;
H04M 1/0295; G06K 9/00006; G06F
1/1652; G06F 1/1626
See application file for complete search history.

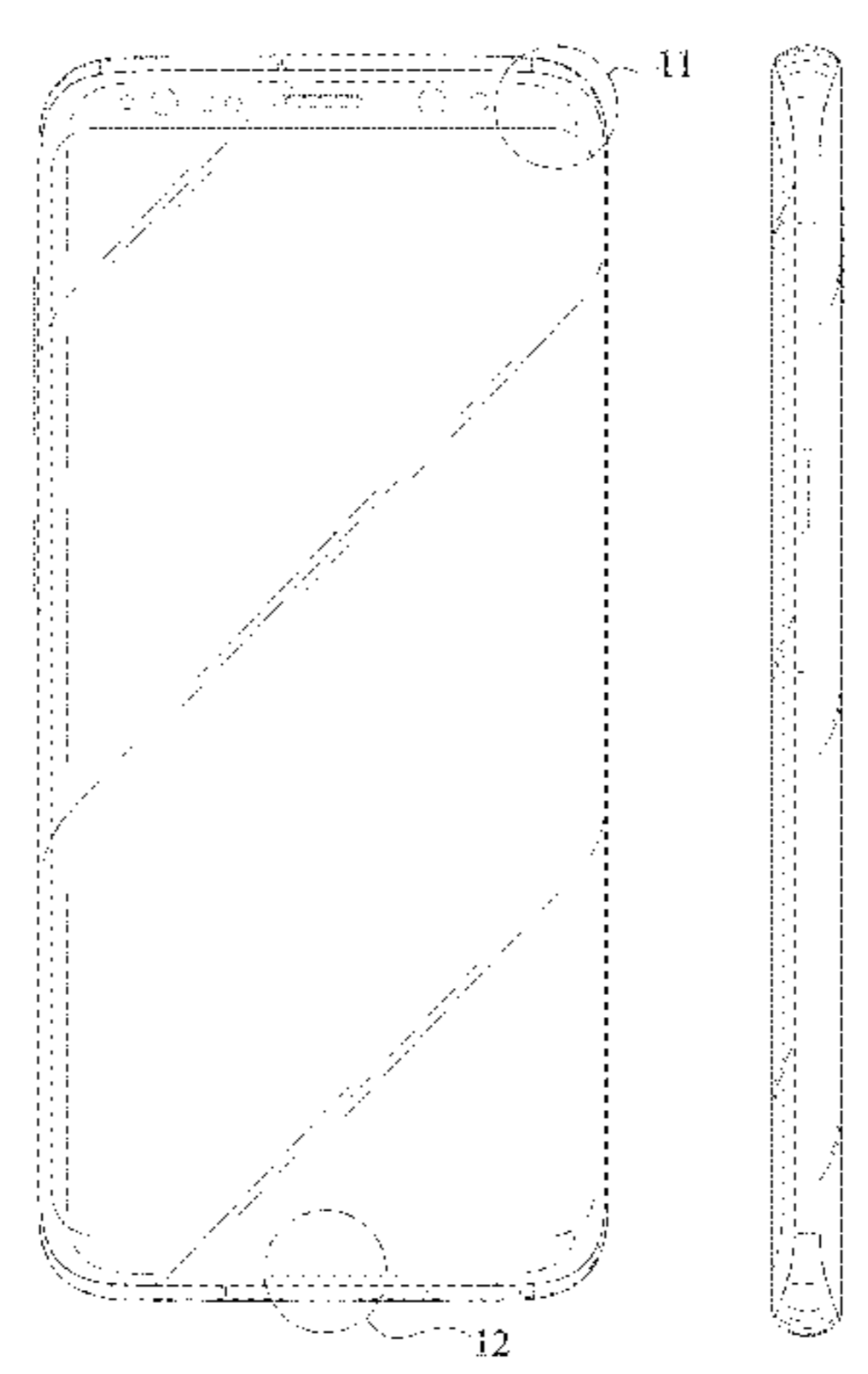
FOREIGN PATENT DOCUMENTS

CN 302063811 9/2012
CN 302543045 8/2013
CN 303102156 2/2015
CN 303308883 7/2015
CN 303710873 * 12/2015
CN 303710990 6/2016
CN 303739031 7/2016
CN 303774538 8/2016
CN 304168219 * 8/2016
CN 303932209 11/2016
CN 303932212 11/2016
CN 303949370 11/2016

OTHER PUBLICATIONS

Apple iPhone 8 to Samsung Galaxy S8 The bezel-less smartphones are coming, The Indian Express, Nov. 21, 2016, [online], [site visited Jul. 18, 2017]. Retrieved from url:<http://indianexpress.com/article/technology/mobile-tabs/apple-iphone-8-to-samsung-galaxy-s8-top-smartphones-rumoured-to-launch-with-bezel-less-design-4385523/>.
iPhone Edition 2017 Concept Imagined by Benjamin Geskin, Looking Hot, Kelvin, Mar. 10, 2017, [online], [site visited Jul. 18, 2017].

(56) **References Cited**
U.S. PATENT DOCUMENTS
D687,800 S * 8/2013 Lee D14/138 G
D695,704 S 12/2013 Kim et al.



Retrieved from url:<https://www.concept-phones.com/apple/iphone-edition-2017-concept-imagined-benjamin-geskin-hot/>.*

LG G6, Mar. 2017, [online], [site visited Jul. 17, 2017]. Retrieved from url:http://www.gsmarena.com/lg_g6-pictures-8466.php.*

Samsung Galaxy S6 edge, Apr. 2015, [online], [site visited Jul. 17, 2017]. Retrieved from url:http://www.gsmarena.com/samsung_galaxy_s6_edge-pictures-7079.php.*

Samsung Galaxy S7 edge, Mar. 2016, [online], [site visited Jul. 17, 2017]. Retrieved from url:http://www.gsmarena.com/samsung_galaxy_s7_edge-pictures-7945.php.*

Samsung Galaxy s7 Introduction, Jermain Smit, Nov. 22, 2015, [online], [site visited Jul. 18, 2017]. Retrieved from url:<https://www.youtube.com/watch?v=Ye2oPNxhZGw>.*

Samsung Galaxy S8 Gets Beautiful 3D Render, Courtesy of Designer Kingway Lee, Concept Phones, Jan. 23, 2017 [online], [site visited Jul. 14, 2017]. Retrieved from url:<https://www.concept-phones.com/samsung/samsung-galaxy-s8-beautiful-3d-render-courtesy-designer-kingway-lee/>.*

Samsung Galaxy S8 to come with futuristic all-screen bezel-less display, but no dual camera planned, Victor H., Dec. 8, 2016, [online], [site visited Jul. 18, 2017]. Retrieved from url:https://www.phonearena.com/news/Samsung-Galaxy-S8-to-come-with-futuristic-all-screen-bezel-less-display-but-no-dual-camera-planned_id88794.*

Samsung Galaxy S8 shown at Evan Blass' @evleaks Twitter, Mar. 21, 2017, [online], [site visited Jul. 17, 2017]. Retrieved from url <https://twitter.com/evleaks/status/844329793982287873>.*

Samsung Galaxy S8, Apr. 2017, [online], [site visited Jul. 17, 2017]. Retrieved from url:http://www.gsmarena.com/samsung_galaxy_s8-pictures-8161.php.*

This is the Samsung Galaxy S8, launching Mar. 29, VentureBeat Mobile, Evan Blass, [Jan. 26, 2017, [online], [site visited Jul. 17, 2017]. Retrieved from url:<https://venturebeat.com/2017/01/26/this-is-the-samsung-galaxy-s8-launching-march-29/>.*

Vivo Xplay5, Mar. 2016, [online], [site visited Jul. 17, 2017]. Retrieved from url:http://www.gsmarena.com/vivo_xplay5-pictures-7966.php.*

Xiaomi Mi Mix 2 i is Finally Ready, Concept Phones, Kelvin, Mar. 18, 2017, [online], [site visited Jul. 18, 2017]. Retrieved from url:<https://www.concept-phones.com/xiaomi/xiaomi-mi-mix-2-finally-ready-designed-concept-creator-video/>.*

Xiaomi Mi Mix, Nov. 2016, [online], [site visited Jul. 17, 2017]. Retrieved from url:http://www.gsmarena.com/xiaomi_mi_mix-pictures-8400.php.*

Xiaomi Mi Note 2, Nov. 2016, [online], [site visited Jul. 17, 2017]. Retrieved from url:http://www.gsmarena.com/xiaomi_mi_note_2-pictures-8014.php.*

Kelvin, "LG G Edge is a Fancy Looking Smartphone, Right Out of Samsung's Playbook (Video)," <https://www.concept-phones.com/tag/lg-dual-curved-edge-phone/>, Sep. 8, 2015, Date Accessed: May 26, 2017.

Daniel Gubalane, "Cherry Mobile Launches Flare Infinity with True Borderless Display," <https://web.archive.org/web/20161019153753/http://www.pinoytechnoguide.com/2016/10/cherry-mobile-flare-infinity-borderless-display.html>, Oct. 19, 2016, Date Accessed: May 26, 2017.

Sing Tech It & Communications, "Infinity L1 Plus," <https://web.archive.org/web/20160630035719/http://www.singtech.asia:80/product/infinity-l1-plus/>, Jun. 30, 2016, Date Accessed: May 26, 2017.

Tech Desk, "Apple iPhone 8 to Samsung Galaxy S8: The bezel-less smartphones are coming," The Indian Express Mobile & Tabs, Nov. 21, 2016, Date Accessed: May 26, 2017.

Alan F, "Sharp's new Corner R concept phone sports a bezel-less curved edge display," Phonearea, Oct. 6, 2016, Date Accessed: May 26, 2017.

Paul Miller, "I just like thinking about a bezel-less iPhone," Theverge, Jun. 6, 2016, Date Accessed: May 26, 2017.

Todd Haselton, "Stunning iPhone 8 concept has zero bezels, no home button," Technobuffalo, Nov. 1, 2016, Date Accessed: May 26, 2017.

Matt Swayne, "Bigger smartphone screens can change customer's buying intentions," Economics & Business, <http://www.phys.org>, Nov. 25, 2015, Date Accessed: May 26, 2017.

Tech Desk, "Xiaomi Mi Note 2 leaked pictures reveal ultra-thin bezel: Report," The Indian Express Mobile & Tabs, Oct. 19, 2016, Date Accessed: May 26, 2017.

Victor H, "LG demonstrates 5-inch display with almost no bezel," Phonearena, May 23, 2013, Date Accessed: May 26, 2017.

Adrian Diaconescu, "Top Android smartphones with the highest screen-to-body ratio," Thedroidguy, May 19, 2015, Date Accessed: May 26, 2017.

* cited by examiner

Primary Examiner — Jeffrey D Asch

Assistant Examiner — Tracey J Bell

(74) *Attorney, Agent, or Firm* — McAndrews Held & Malloy, Ltd.

(57)

CLAIM

The ornamental design for an electronic device, as shown and described.

DESCRIPTION

FIG. 1 is a front perspective view of an electronic device showing our new design according to a first embodiment; FIG. 2 is a front elevation view thereof; FIG. 3 is a rear elevation view thereof; FIG. 4 is a left side elevation view thereof; FIG. 5 is a right side elevation view thereof; FIG. 6 is a top plan view thereof; FIG. 7 is a bottom plan view thereof; FIG. 8 is a rear perspective view thereof; FIG. 9 is an enlarged view of the encircled portion 9 in FIG. 1; FIG. 10 is an enlarged view of the encircled portion 10 in FIG. 1; FIG. 11 is an enlarged view of the encircled portion 11 in FIG. 2; FIG. 12 is an enlarged view of the encircled portion 12 in FIG. 2; FIG. 13 is an enlarged view of the encircled portion 13 in FIG. 4; FIG. 14 is an enlarged view of the encircled portion 14 in FIG. 6; FIG. 15 is an enlarged view of the encircled portion in 15 FIG. 8; FIG. 16 is a front perspective view of an electronic device showing our new design according to a second embodiment; FIG. 17 is a front elevation view thereof; FIG. 18 is a rear elevation view thereof; FIG. 19 is a left side elevation view thereof; FIG. 20 is a right side elevation view thereof; FIG. 21 is a top plan view thereof; FIG. 22 is a bottom plan view thereof; FIG. 23 is a rear perspective view thereof; FIG. 24 is a front perspective view of an electronic device showing our new design according to a third embodiment; FIG. 25 is a front elevation view thereof; FIG. 26 is a rear elevation view thereof; FIG. 27 is a left side elevation view thereof; FIG. 28 is a right side elevation view thereof; FIG. 29 is a top plan view thereof; FIG. 30 is a bottom plan view thereof; FIG. 31 is a rear perspective view thereof;

FIG. 32 is a front perspective view of an electronic device showing our new design according to a fourth embodiment; FIG. 33 is a front elevation view thereof; FIG. 34 is a rear elevation view thereof; FIG. 35 is a left side elevation view thereof; FIG. 36 is a right side elevation view thereof; FIG. 37 is a top plan view thereof; FIG. 38 is a bottom plan view thereof; and, FIG. 39 is a rear perspective view thereof.

The evenly spaced dashed broken lines in the figures depict portions of the electronic device that form no part of the embodiment in which they are shown. The unevenly spaced dot-dash broken lines encircling portions of the claimed design that are illustrated in enlargements form no part of the claimed design. It is understood that the portions of the first embodiment shown in the enlarged views in FIGS. 9-15 correspond to similarly situated portions of the second, third, and fourth embodiments of electronic device, the only difference between the enlarged areas of the embodiments being the sizing and shape of the display area of the screen and the inclusion or exclusion of a button at the bottom of the front face of the electronic device.

1 Claim, 39 Drawing Sheets

FIG. 1

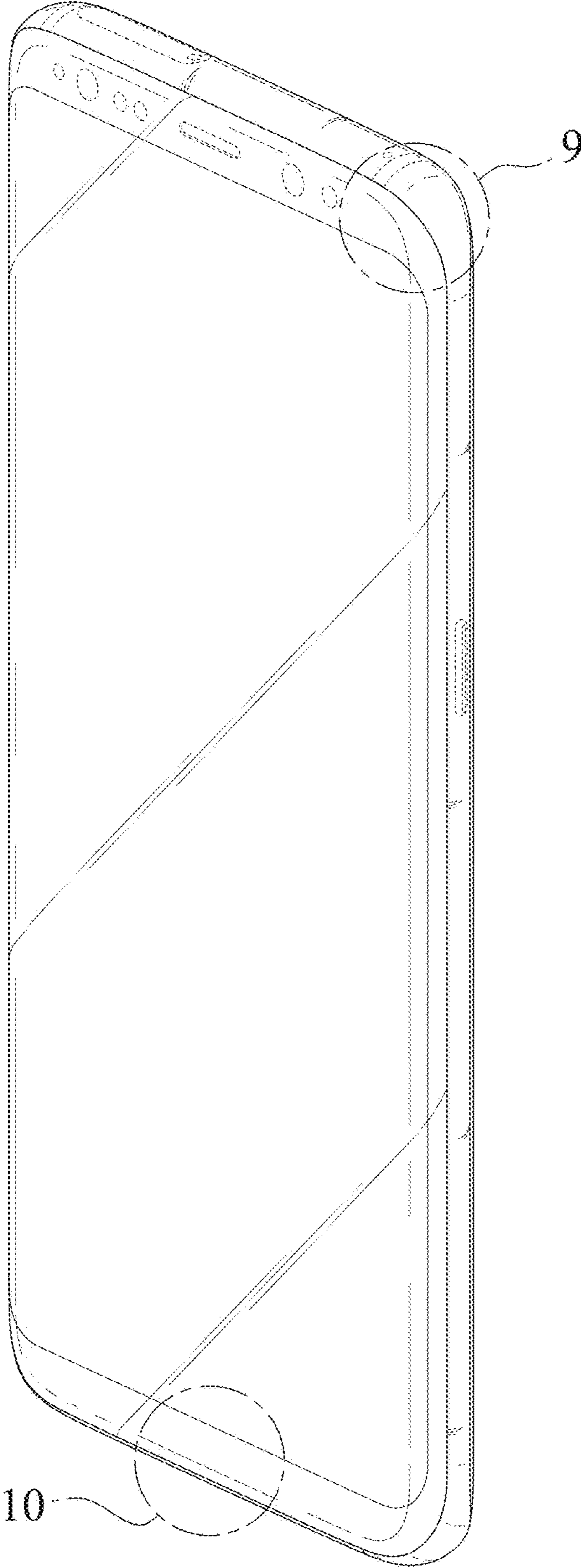


FIG. 2

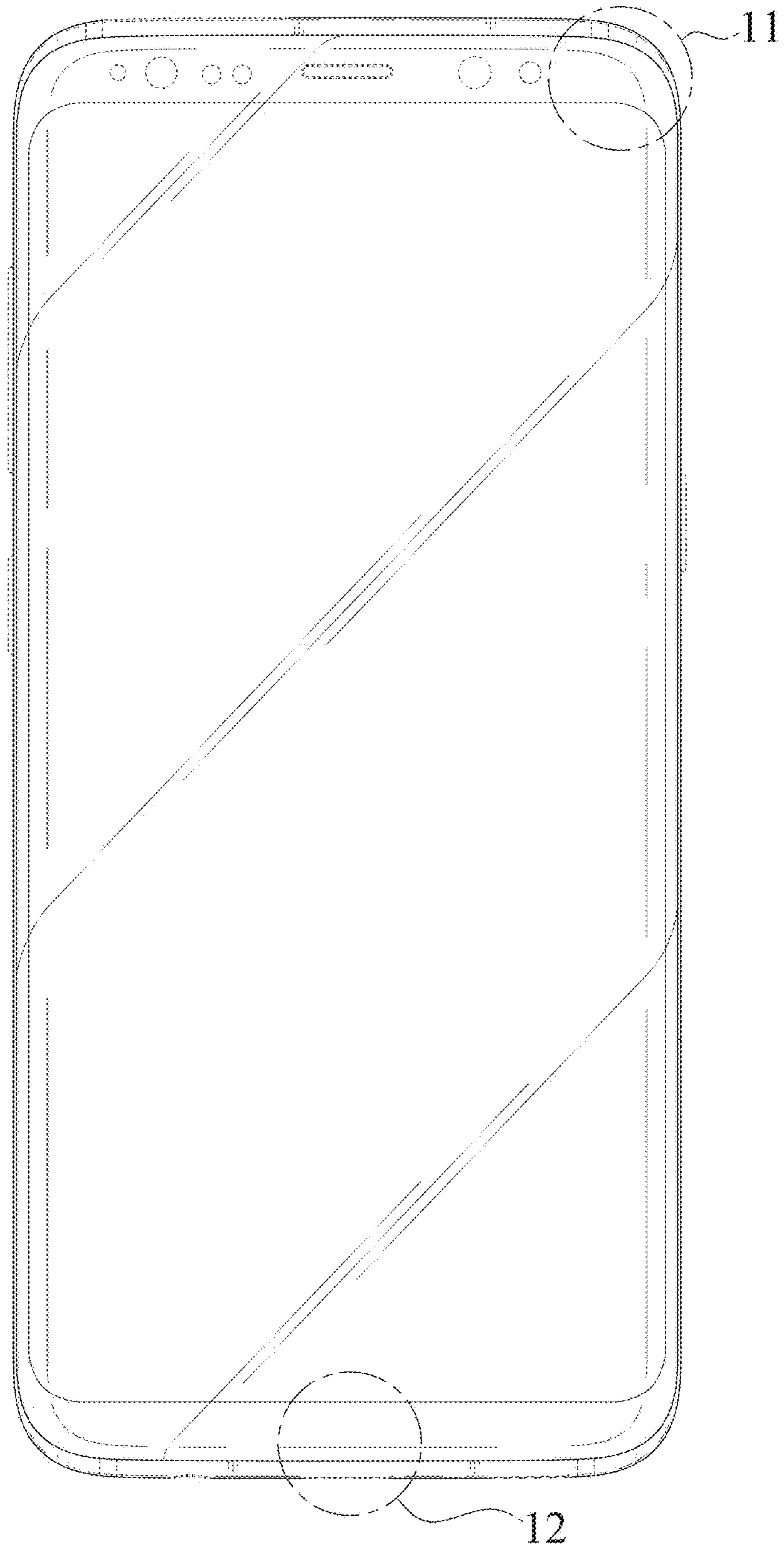


FIG. 3

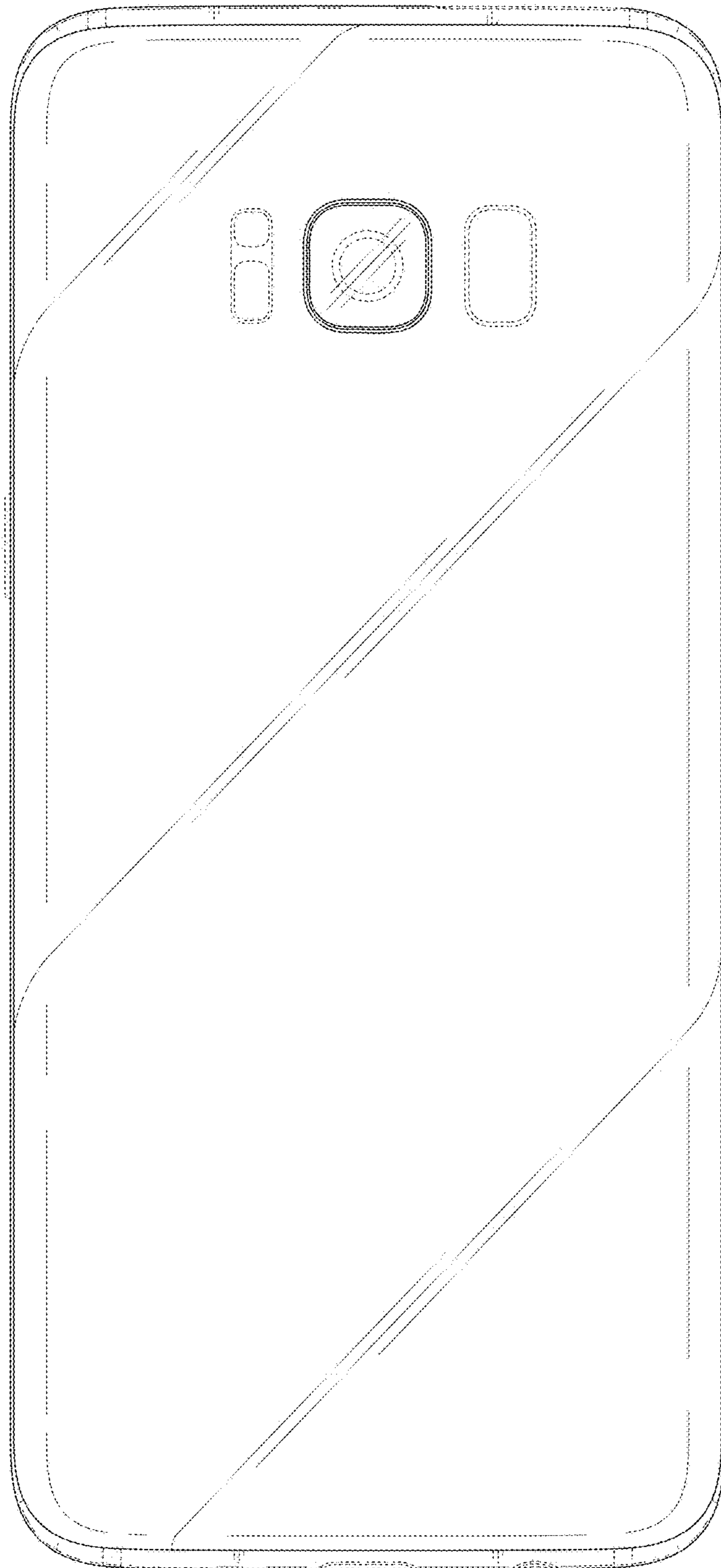


FIG. 4

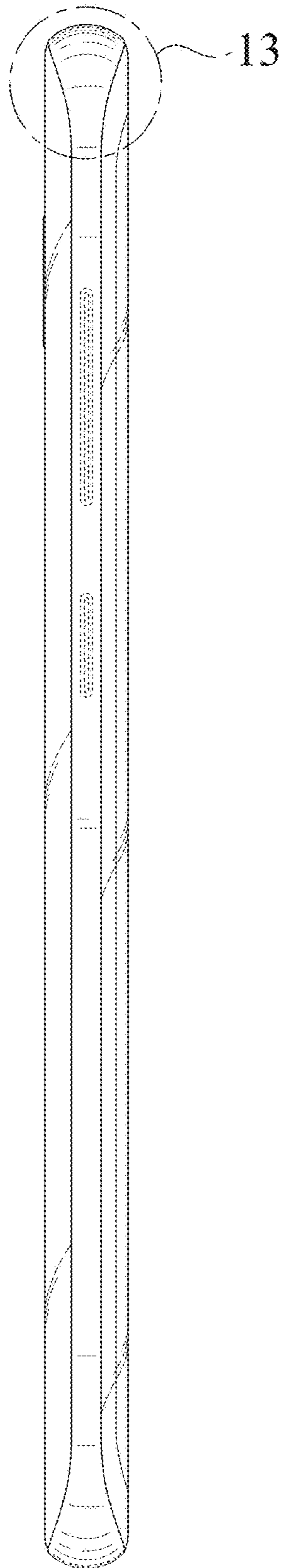


FIG. 5



FIG. 6

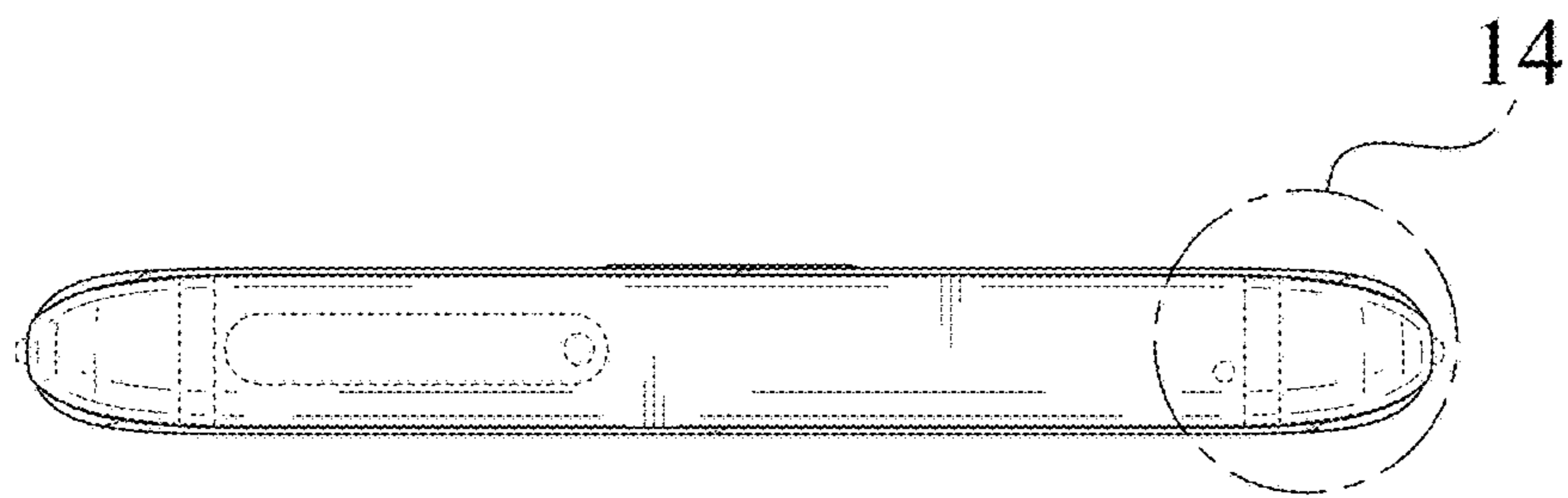


FIG. 7

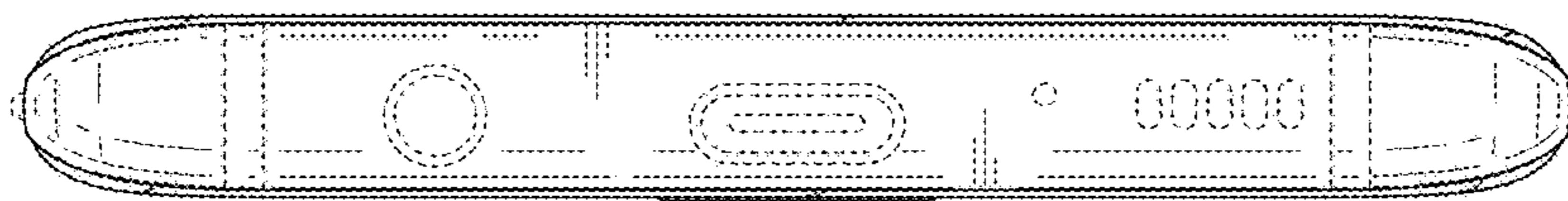


FIG. 8

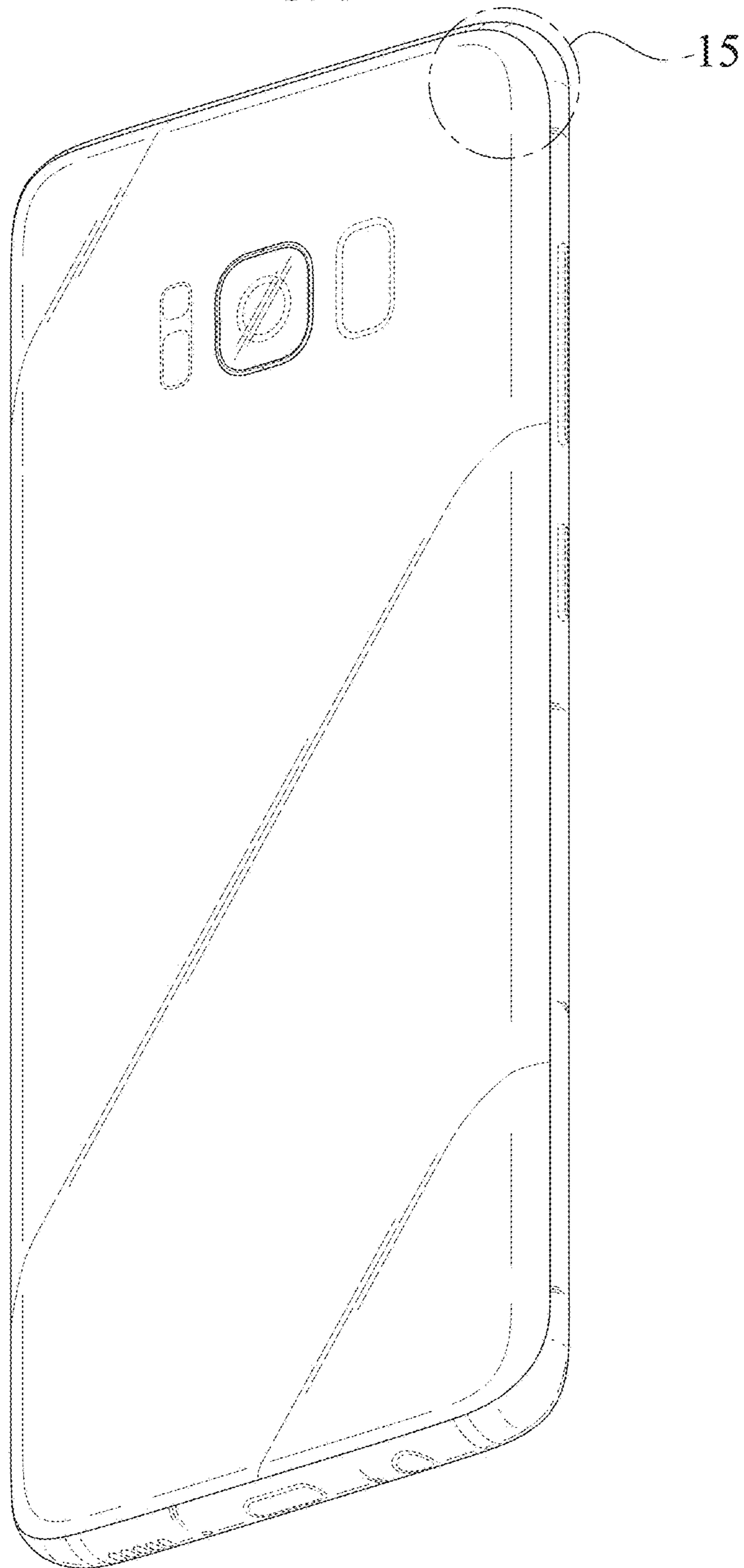


FIG. 9

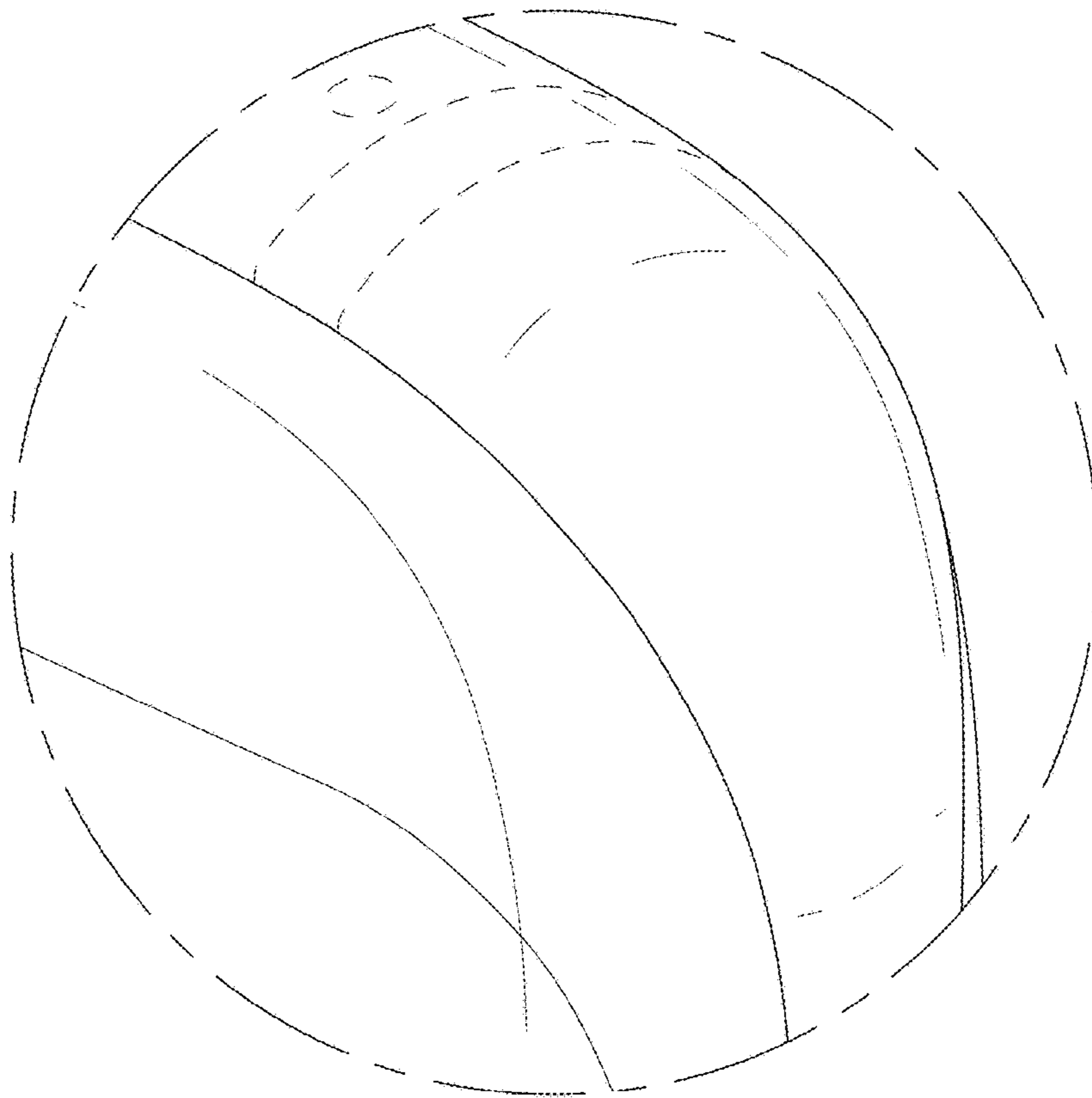


FIG. 10

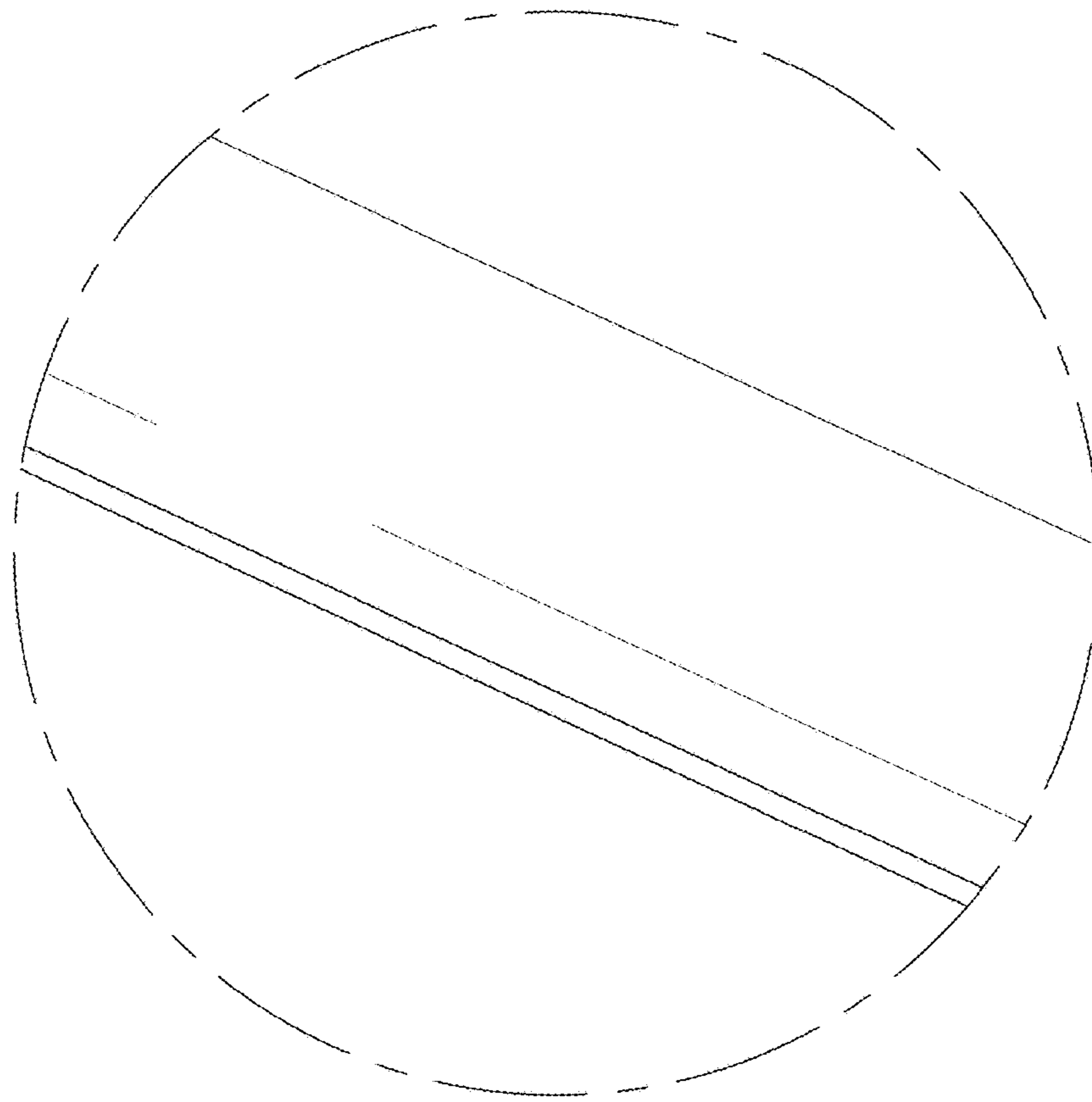


FIG. 11

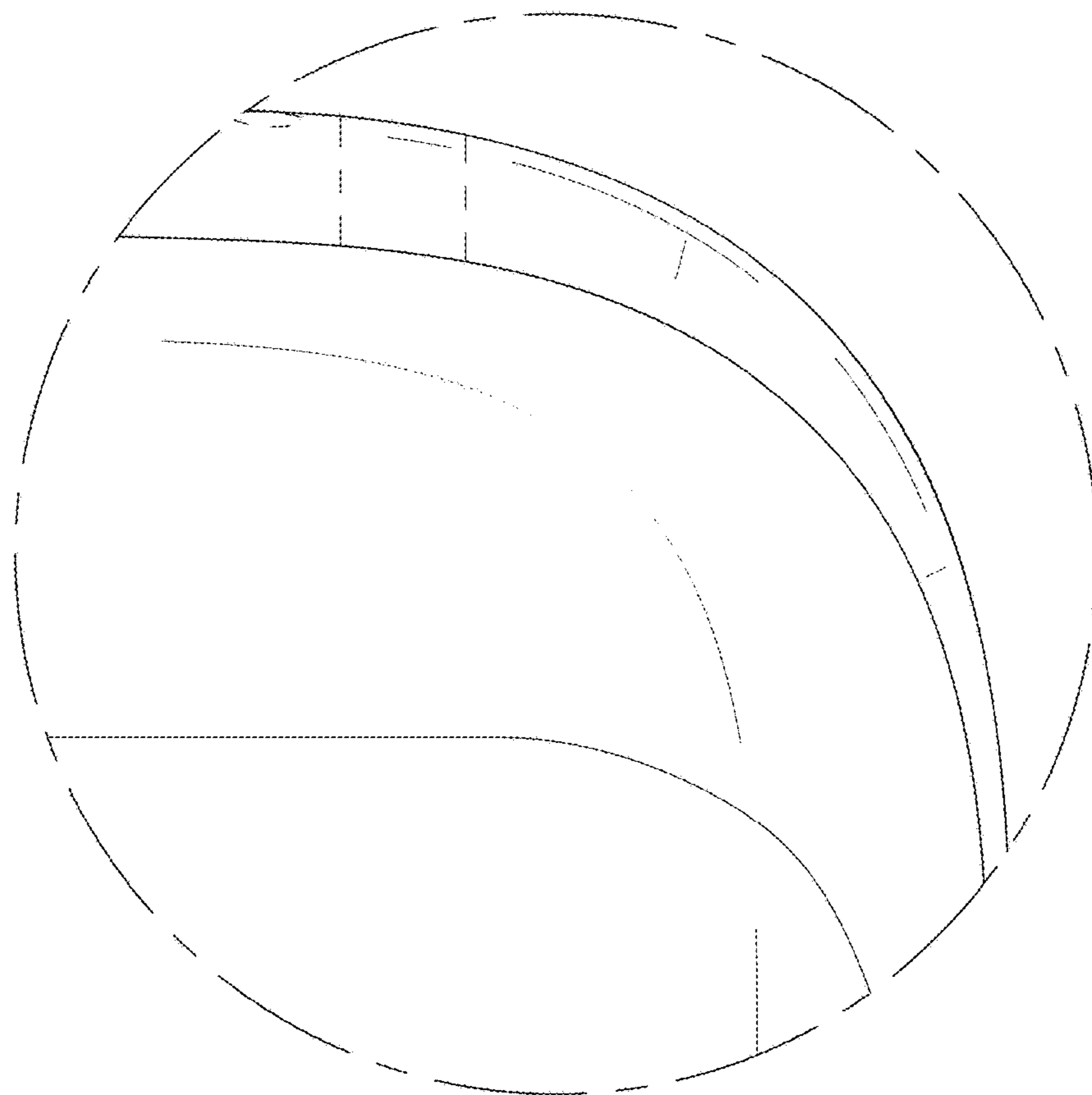


FIG. 12

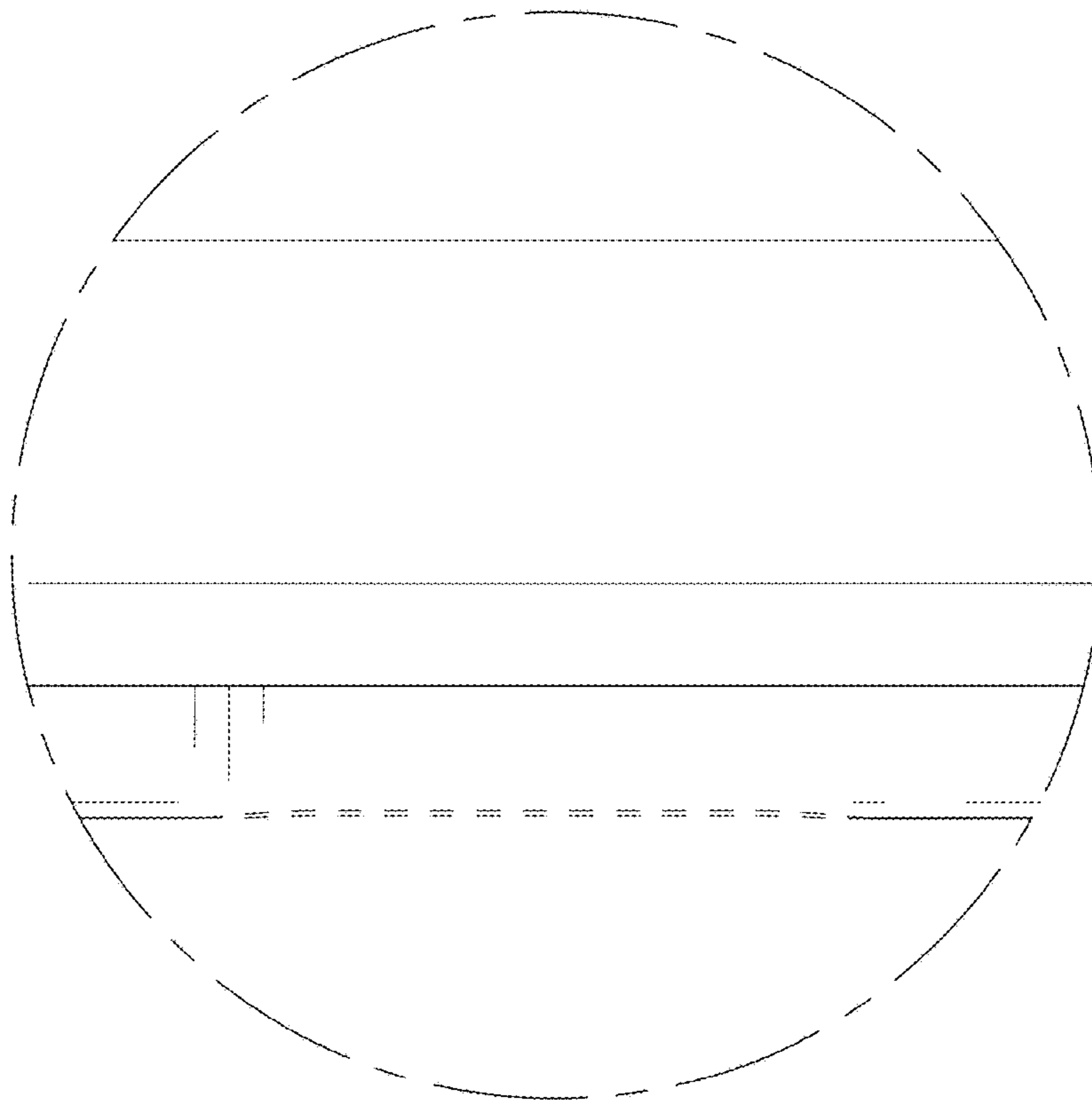


FIG. 13

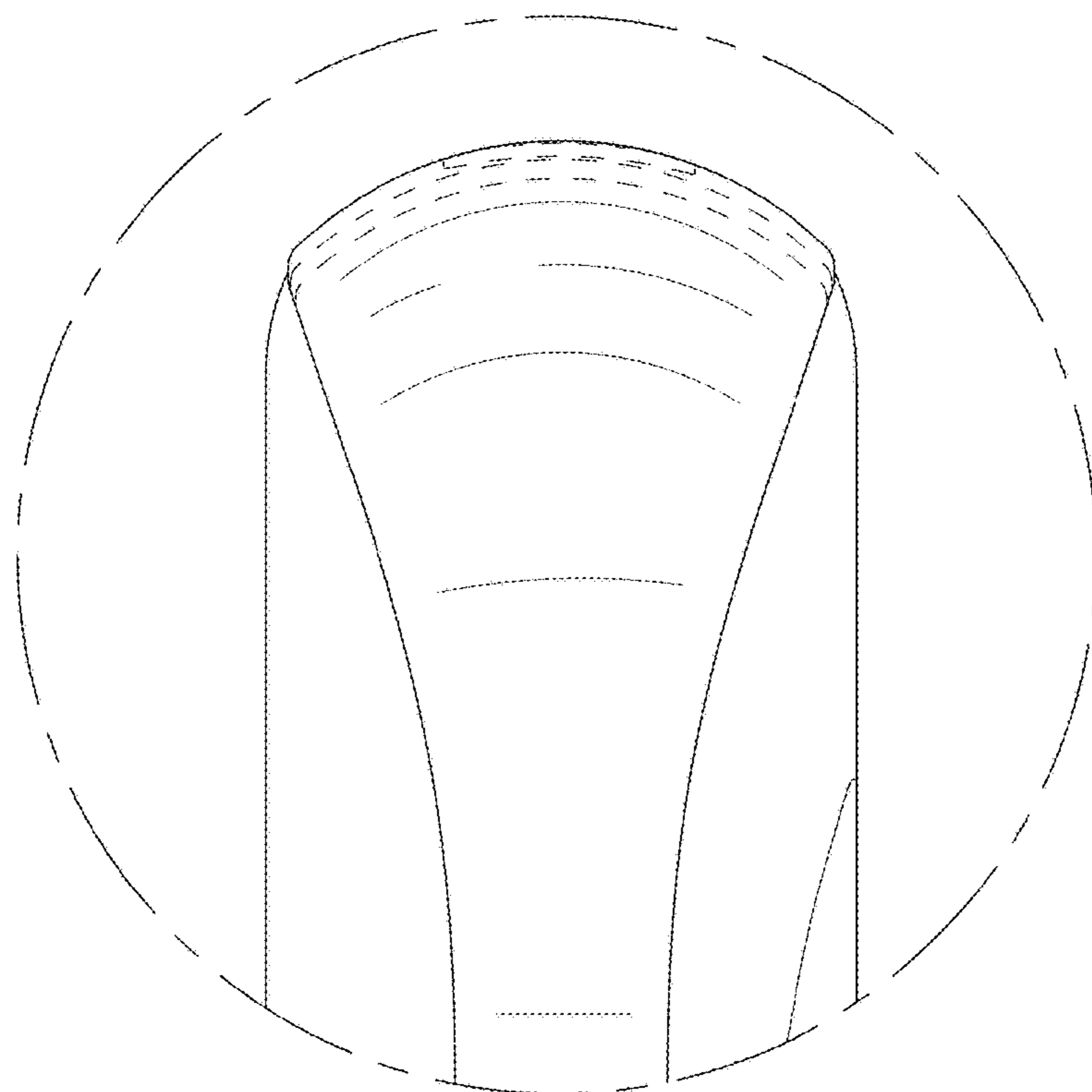


FIG. 14

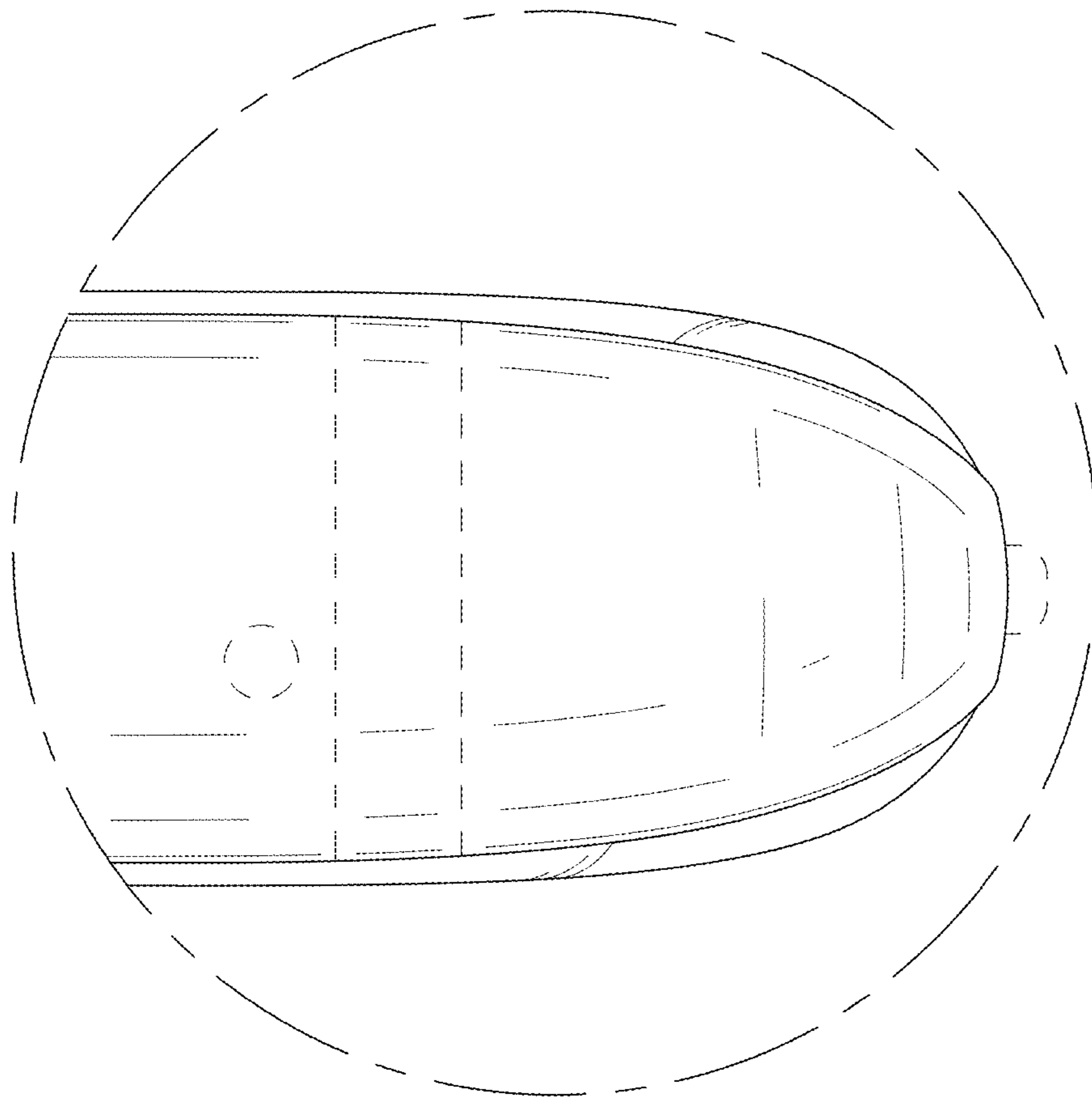


FIG. 15

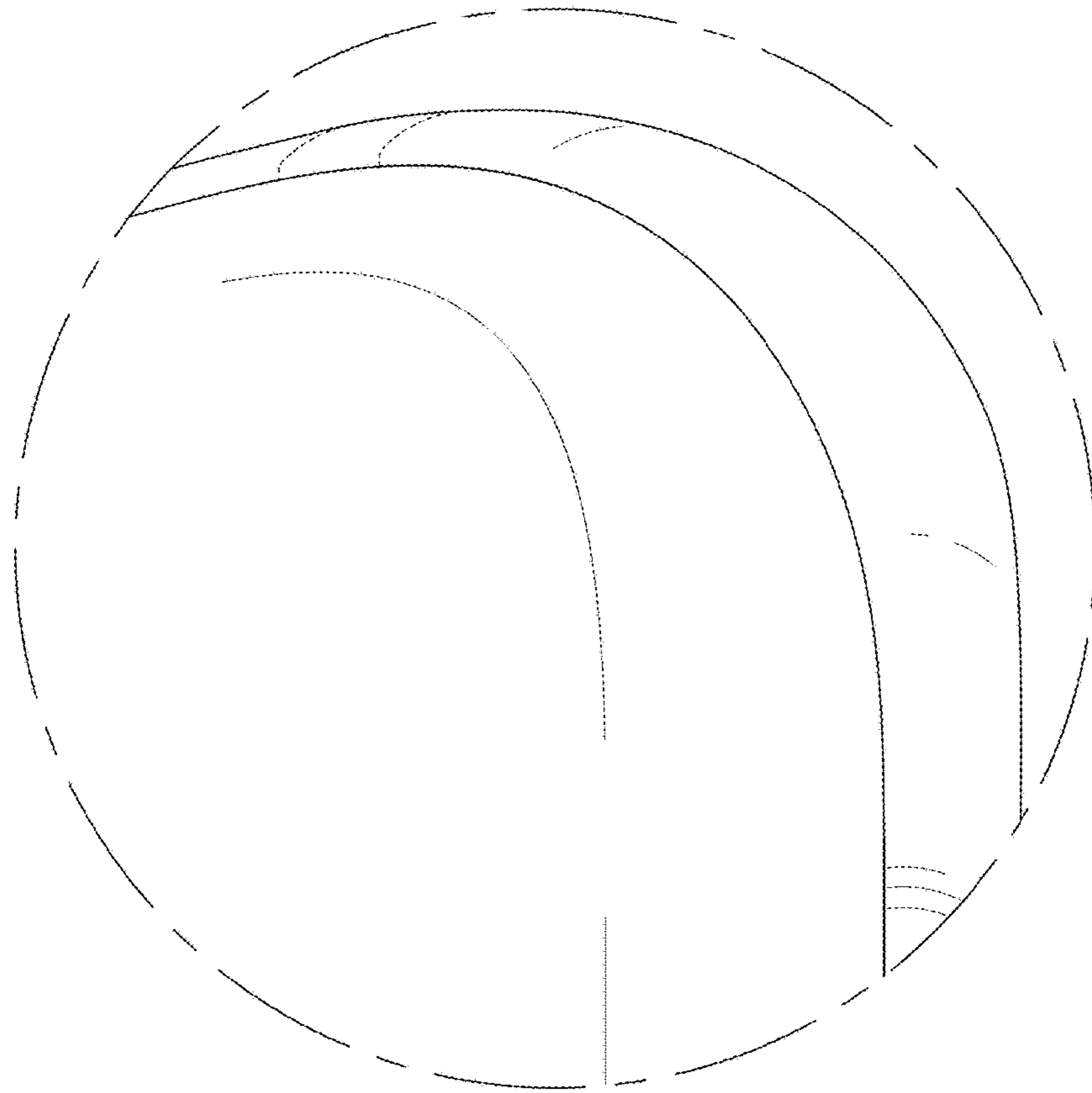


FIG. 16

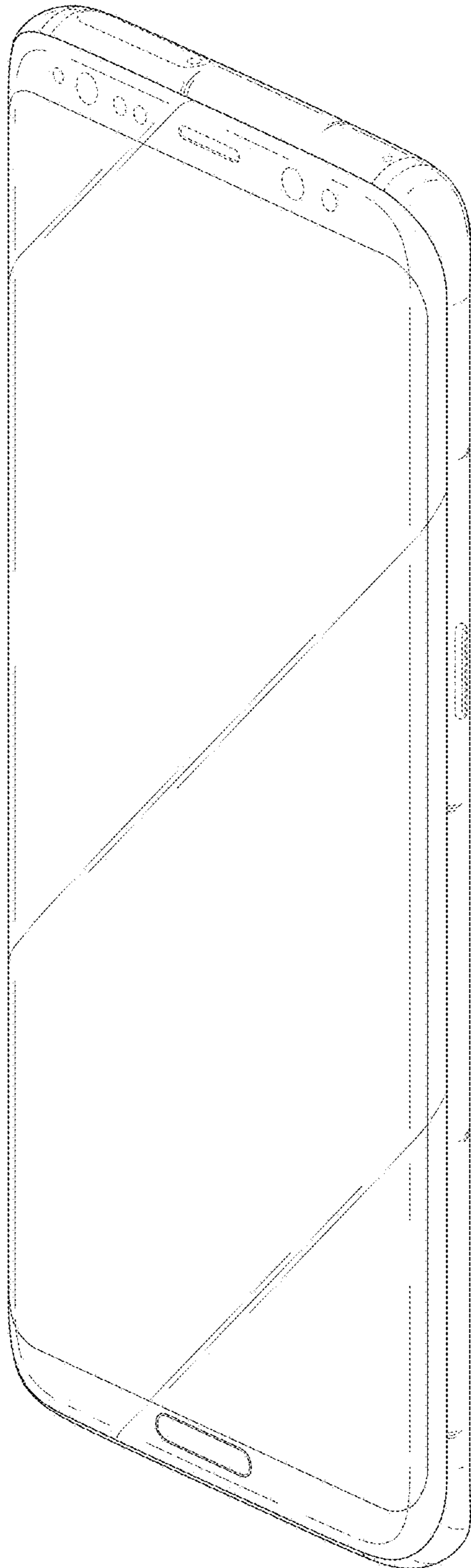


FIG. 17

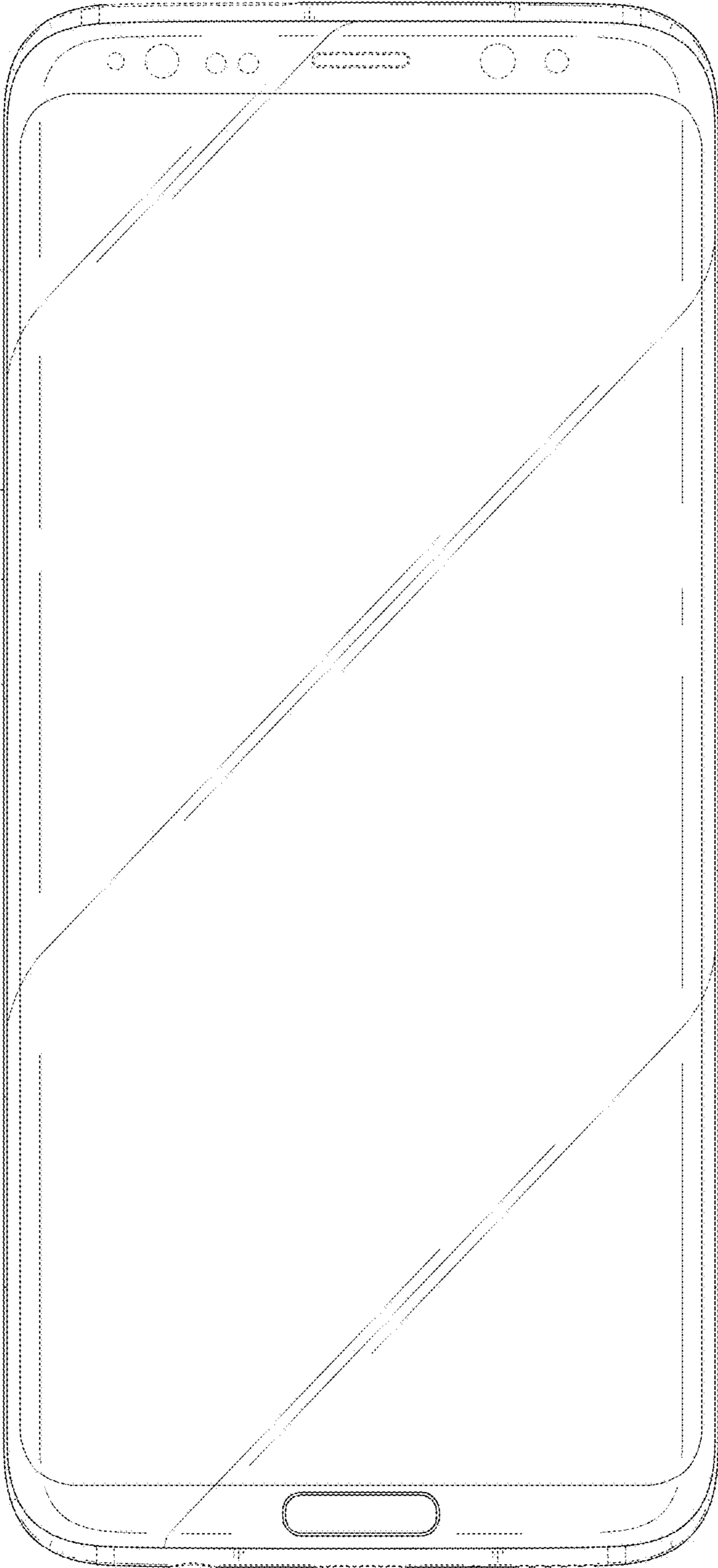


FIG. 18

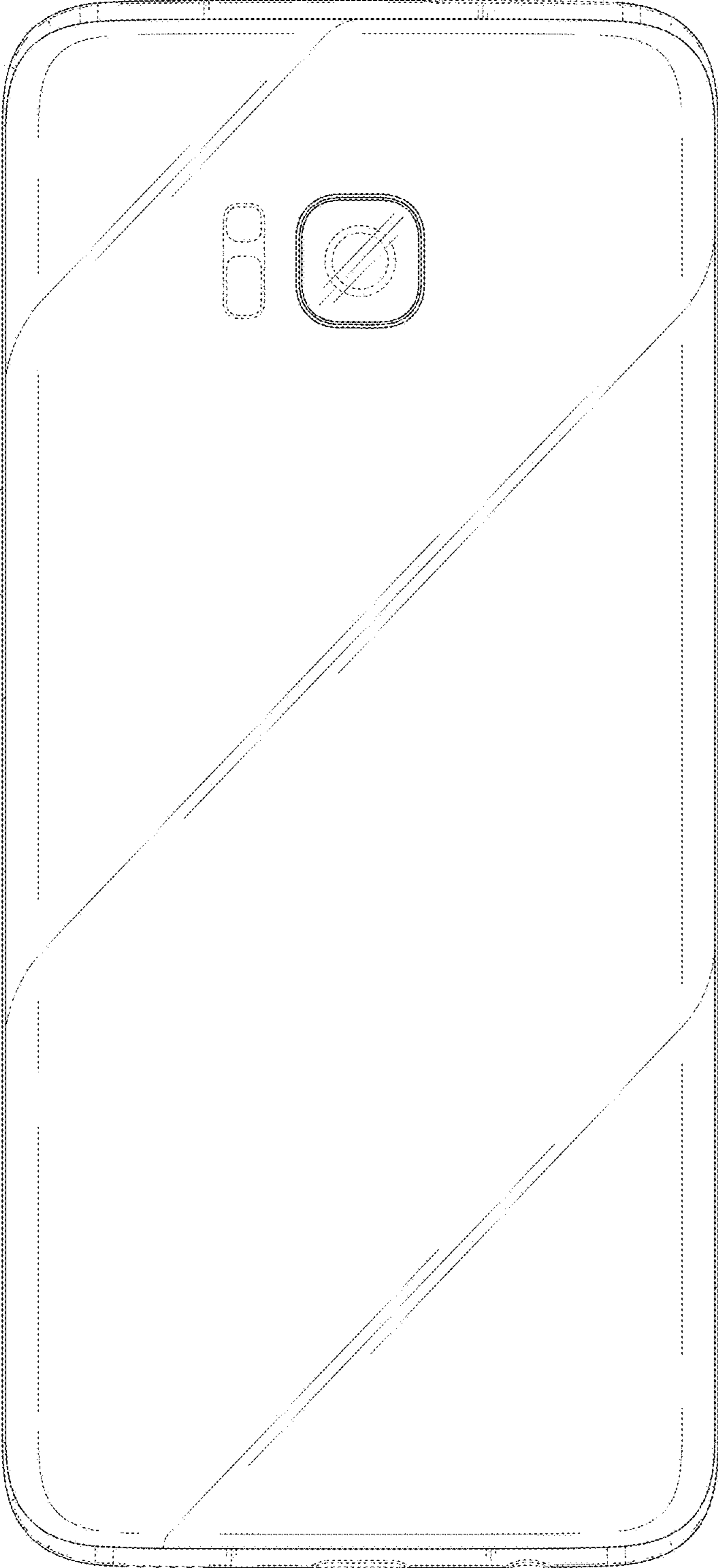


FIG. 19

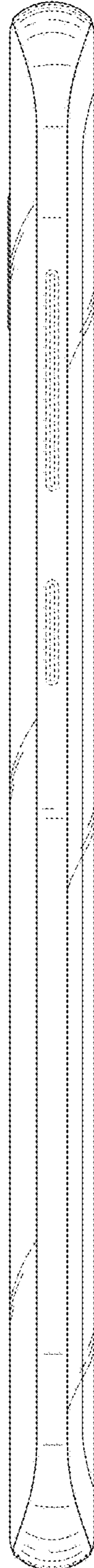


FIG. 20



FIG. 21



FIG. 22

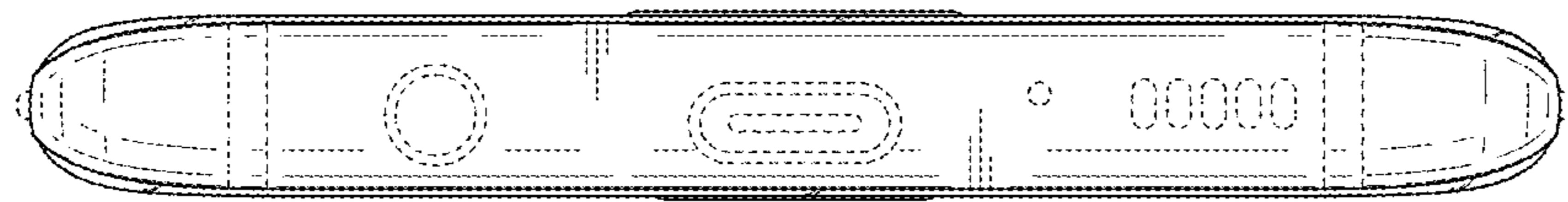


FIG. 23

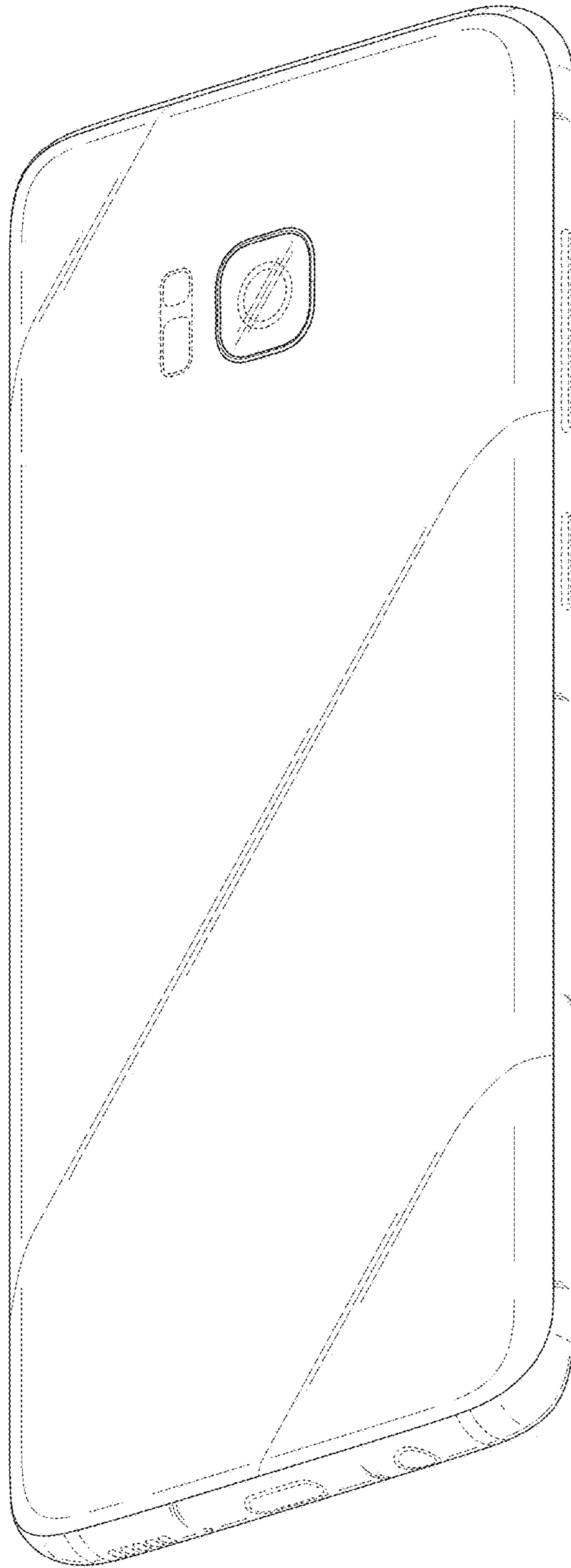


FIG. 24

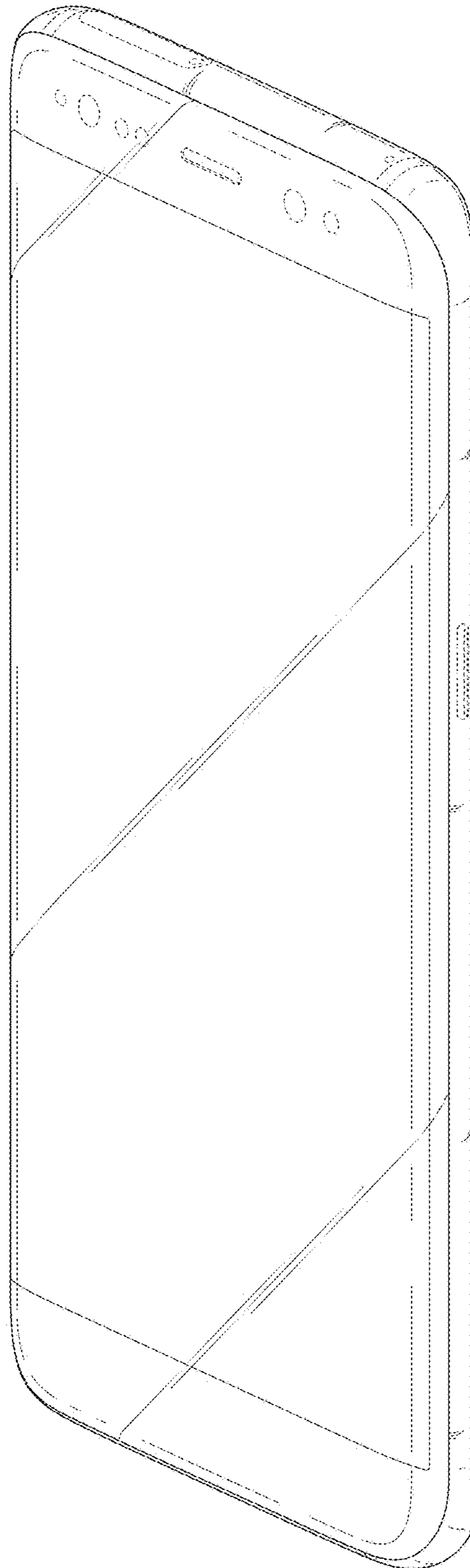


FIG. 25

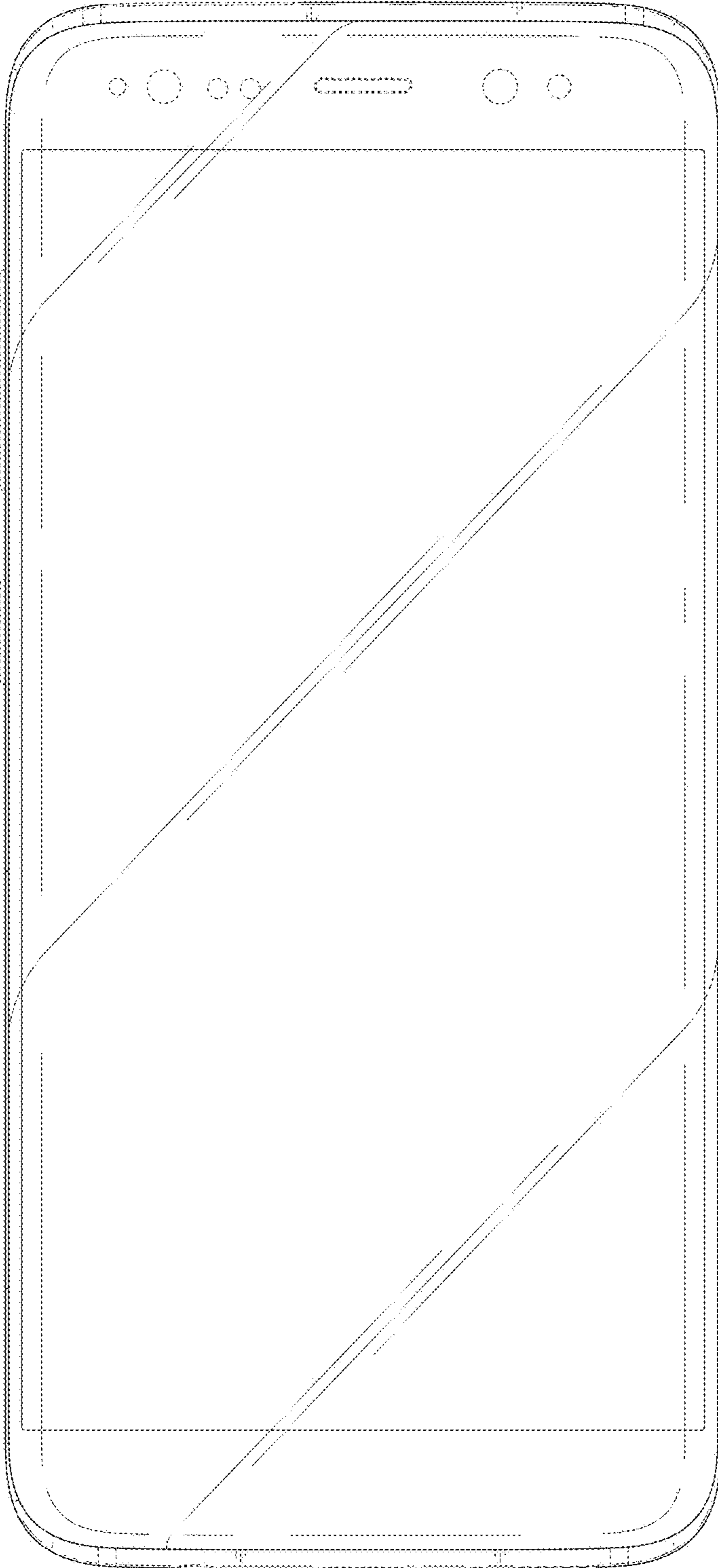


FIG. 26

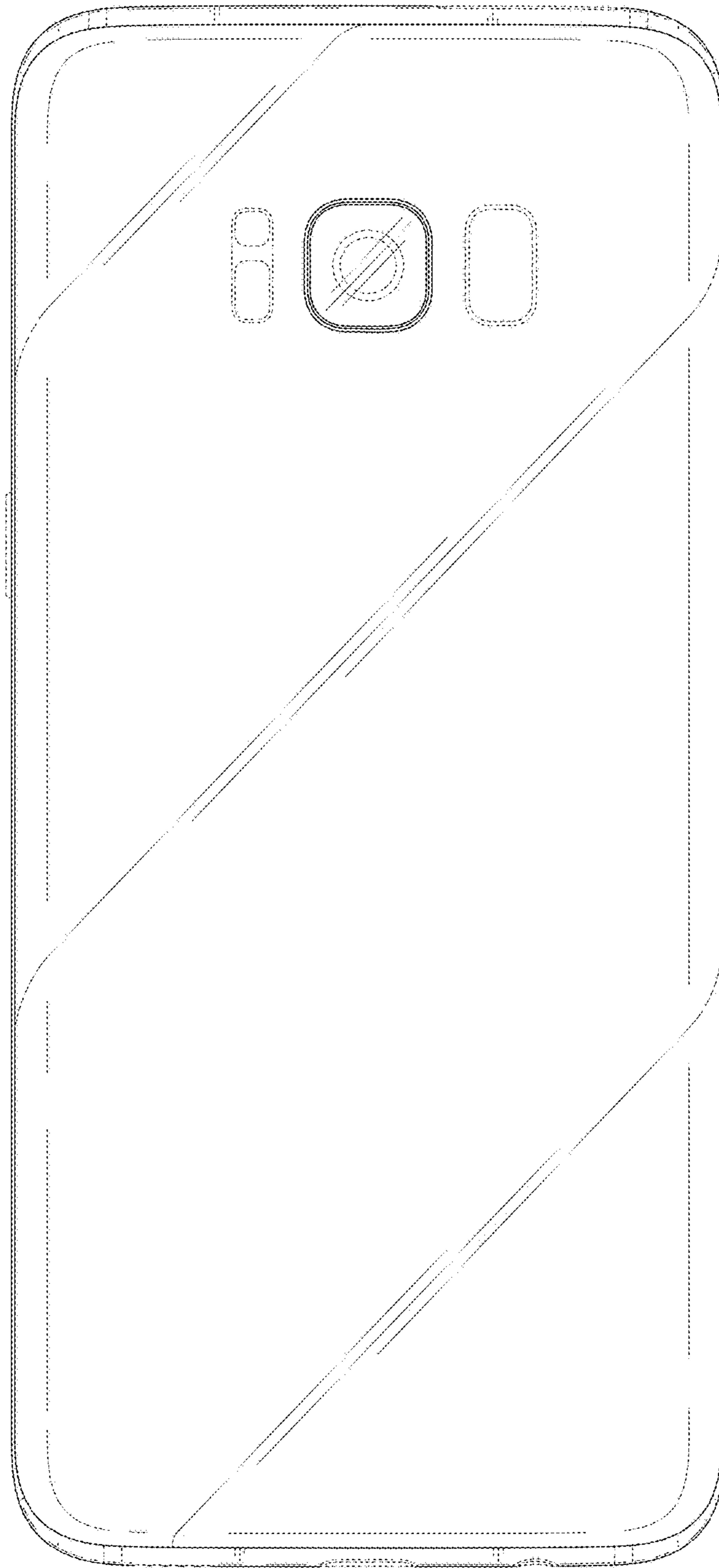


FIG. 27

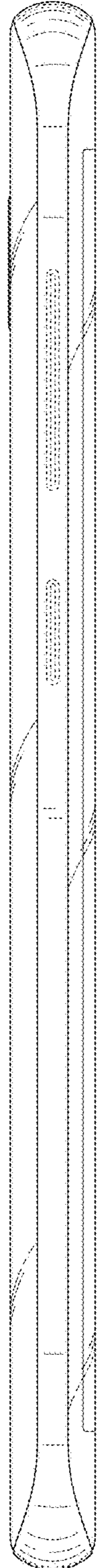


FIG. 28



FIG. 29

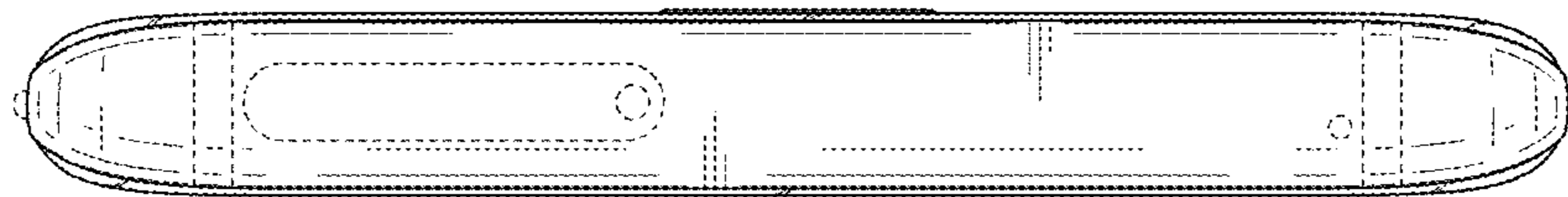


FIG. 30

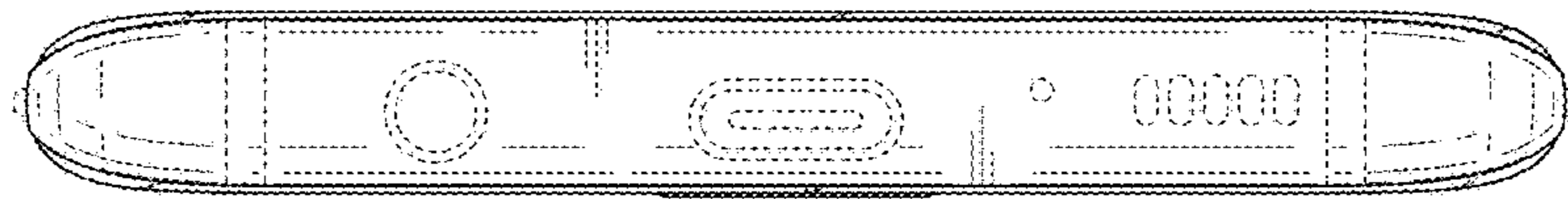


FIG. 31

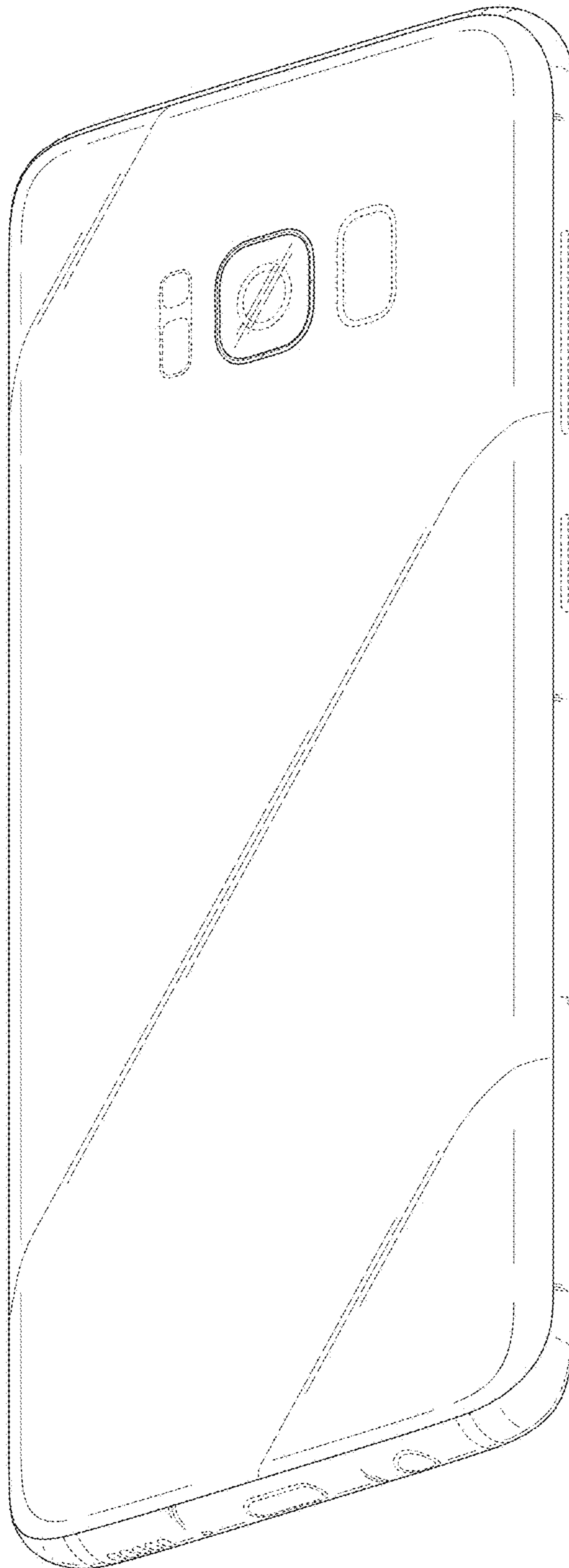


FIG. 32

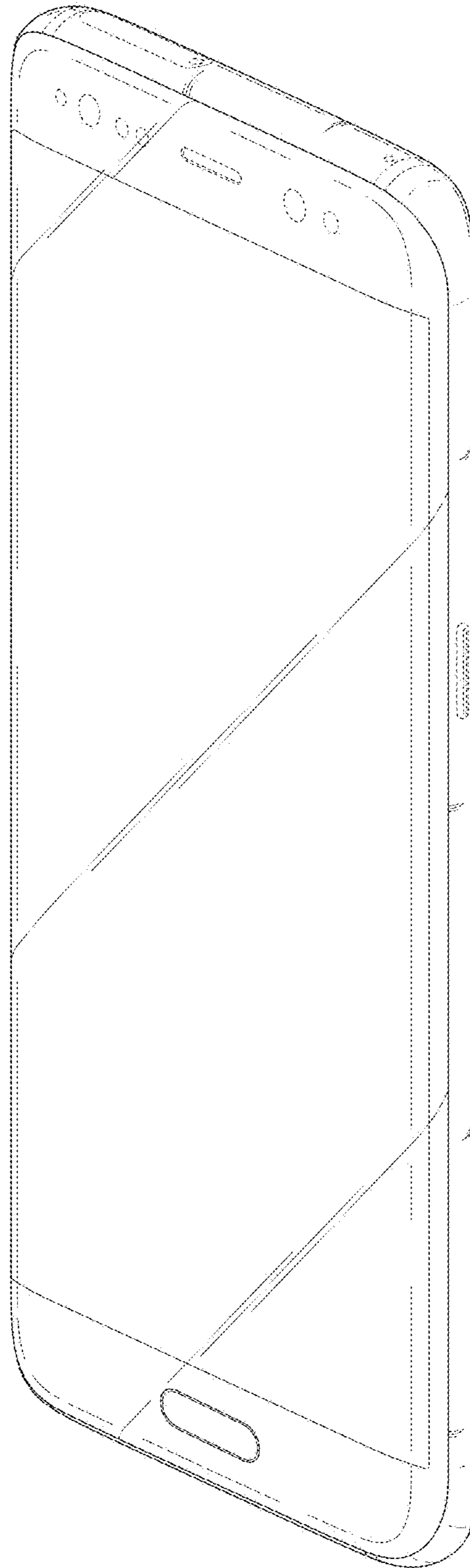


FIG. 33

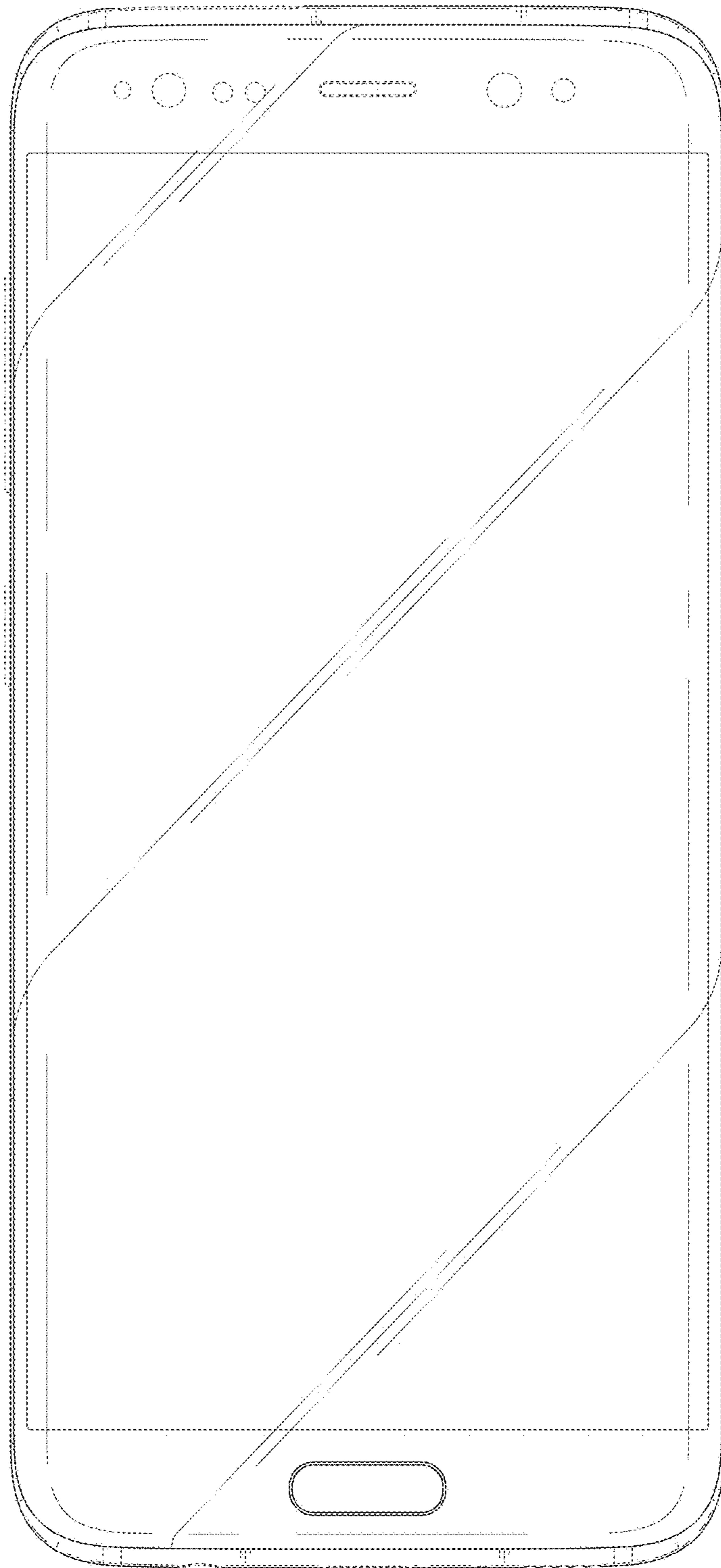


FIG. 34

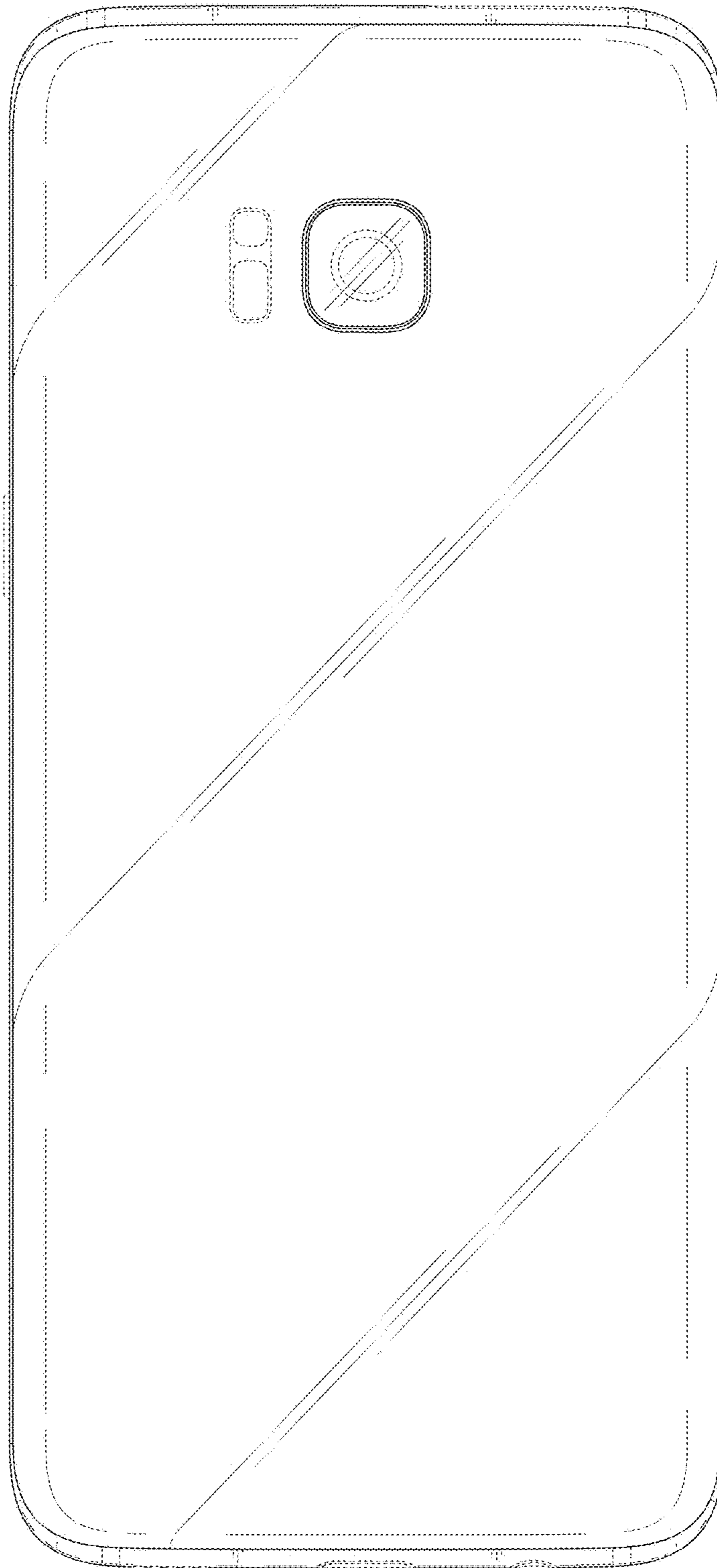


FIG. 35



FIG. 36

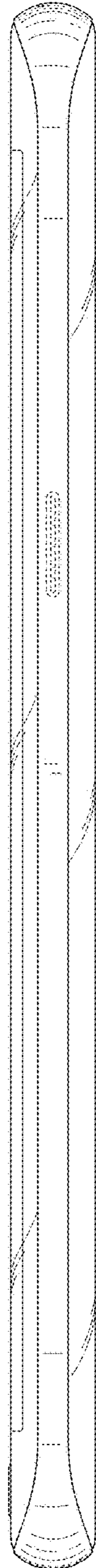


FIG. 37

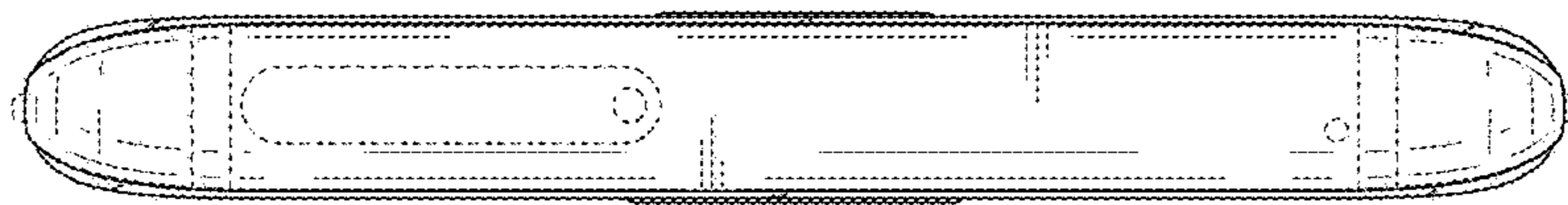


FIG. 38

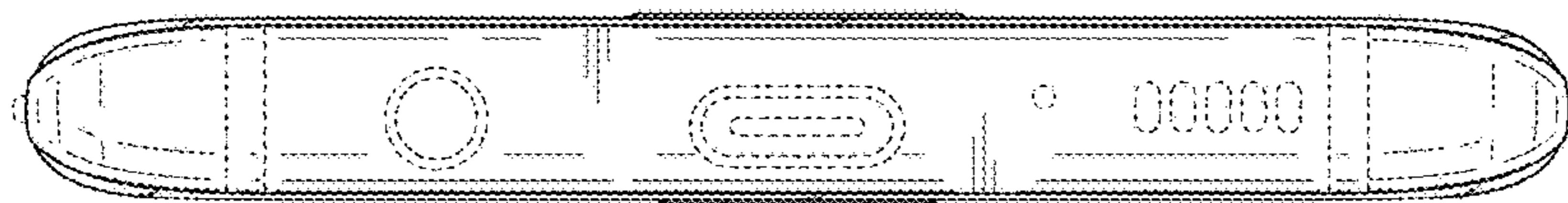


FIG. 39

