



US00D817910S

(12) **United States Design Patent**
Yamamoto

(10) **Patent No.:** **US D817,910 S**
(45) **Date of Patent:** **** May 15, 2018**

(54) **PORTABLE WIRELESS COMMUNICATION DEVICE**

(71) Applicant: **JVC KENWOOD Corporation**,
Yokohama-shi, Kanagawa (JP)

(72) Inventor: **Toyohito Yamamoto**, Kanagawaken
(JP)

(73) Assignee: **JVC KENWOOD CORPORATION**,
Yokohama-shi, Kanagawa (JP)

(**) Term: **15 Years**

(21) Appl. No.: **29/593,556**

(22) Filed: **Feb. 9, 2017**

(30) **Foreign Application Priority Data**

Nov. 18, 2016 (JP) D2016-025154

(51) **LOC (11) Cl.** **14-03**

(52) **U.S. Cl.**
USPC **D14/137**

(58) **Field of Classification Search**
USPC D14/137, 138 R, 138 AA, 147, 148, 218,
D14/155, 159, 142, 225, 226, 191, 188,
D14/192, 194, 197, 198; D21/517;
D10/104.1, 104.2, 106.1, 65; D13/168
CPC H04B 1/3833; H04B 1/3827; H04B
2001/3861; H04M 1/0202; H04M 1/03;
H04M 1/035; H04W 76/005; G08B
21/0202

See application file for complete search history.

(56) **References Cited**

U.S. PATENT DOCUMENTS

D243,409 S * 2/1977 Eckmann D14/191
D282,661 S * 2/1986 Imazeki D14/137
D290,957 S * 7/1987 Imazeki D14/194
D292,211 S * 10/1987 Imazeki D14/137

D393,260 S * 4/1998 Yahaya D14/137
D411,536 S * 6/1999 Page D14/137
D477,816 S * 7/2003 Yahaya D14/137
D576,126 S * 9/2008 Nishida D14/137
D598,876 S * 8/2009 Leng D14/137

(Continued)

FOREIGN PATENT DOCUMENTS

CA 158549 * 6/2015

OTHER PUBLICATIONS

Kenwood Nexedge NX-3200/3320 Brochure, published date not given, [online], [site visited Dec. 13, 2017]. Available from Internet, <URL: <http://www.precisionradio.com/radio/sites/default/files/NX-3220%263320Bro06.02Comp.pdf>>.*

(Continued)

Primary Examiner — Jeffrey D Asch

(74) *Attorney, Agent, or Firm* — Cantor Colburn LLP

(57) **CLAIM**

The ornamental design for a portable wireless communication device, as shown and described.

DESCRIPTION

FIG. 1 is a front perspective view of a portable wireless communication device.

FIG. 2 is a front view of FIG. 1;

FIG. 3 is a rear view of FIG. 1;

FIG. 4 is a top view of FIG. 1;

FIG. 5 is a bottom view of FIG. 1;

FIG. 6 is a right side view of FIG. 1;

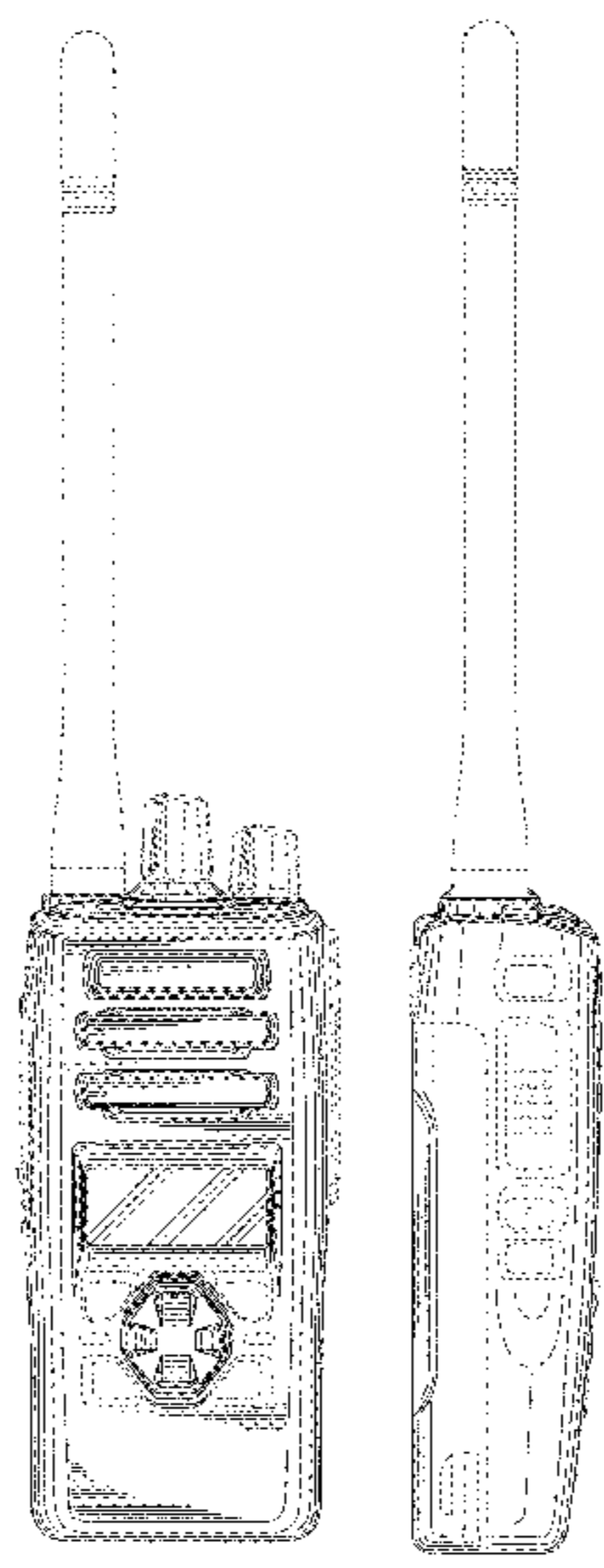
FIG. 7 is a left side view of FIG. 1;

FIG. 8 is an enlarged top view of FIG. 1; and,

FIG. 9 is an enlarged bottom view of FIG. 1.

The broken lines in the drawings are for the purpose of illustrating portions of the portable wireless communication device that form no part of the claimed design.

1 Claim, 9 Drawing Sheets



(56)

References Cited

U.S. PATENT DOCUMENTS

D600,225 S * 9/2009 Woon D14/137
 D616,845 S * 6/2010 Xia D14/137
 D645,009 S * 9/2011 Kaminsky D14/137
 D652,400 S * 1/2012 Oikawa D14/137
 D653,225 S * 1/2012 Yong D14/137
 D653,637 S * 2/2012 Ismail D14/137
 D654,035 S * 2/2012 Ismail D14/137
 D670,258 S * 11/2012 Yamamoto D14/137
 D717,258 S * 11/2014 Garra D14/137
 D721,050 S * 1/2015 Kaner D14/137
 D752,536 S * 3/2016 Ooi D14/137
 D752,537 S * 3/2016 Oikawa D14/137
 D761,223 S * 7/2016 Oikawa D14/137
 D796,466 S * 9/2017 Sakata D14/137
 D805,494 S * 12/2017 Richards D14/137
 2006/0262800 A1* 11/2006 Martinez H04W 88/06
 370/395.52
 2009/0143111 A1* 6/2009 Oglesbee H04B 1/04
 455/572

2009/0197545 A1* 8/2009 Gong H04B 1/3833
 455/90.2
 2010/0330935 A1* 12/2010 Maggert H01R 43/24
 455/90.3
 2015/0381333 A1* 12/2015 Tennant H04L 5/1461
 370/278

OTHER PUBLICATIONS

Kenwood FPP on NX-5000 Series Radios, published Sep 15, 2015 by Evans Mitchell on YouTube, [online], [site visited Dec. 13, 2017] <URL: <https://www.youtube.com/watch?v=G4DNEE6Uv68>>.*
 NX-3220 Kenwood Nexedge, by Whisky Kadman, published date May 26, 2017, [online], [site visited Jan. 6, 2018]. Available from Internet, <URL: <http://radioaficion.com/cms/nx-3220-kenwood-nexedge/>>.*
 DP4600 / DP4601 Portable Two-Way Radio, published date not given—accessory fact sheet dated Jul. 4, 2012, [online], [site visited Jan. 6, 2018]. Available from Internet, <URL: https://www.motorolasolutions.com/en_xa/products/mototrbo/portable-radios/dp4600-dp4601.html#tabproductinfo>.*

* cited by examiner

FIG. 1

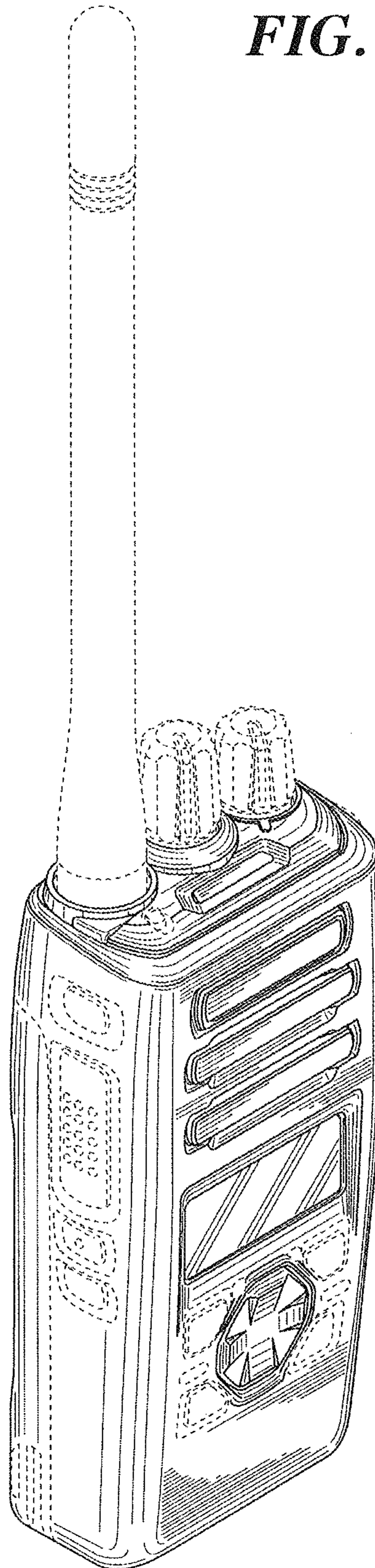


FIG. 2

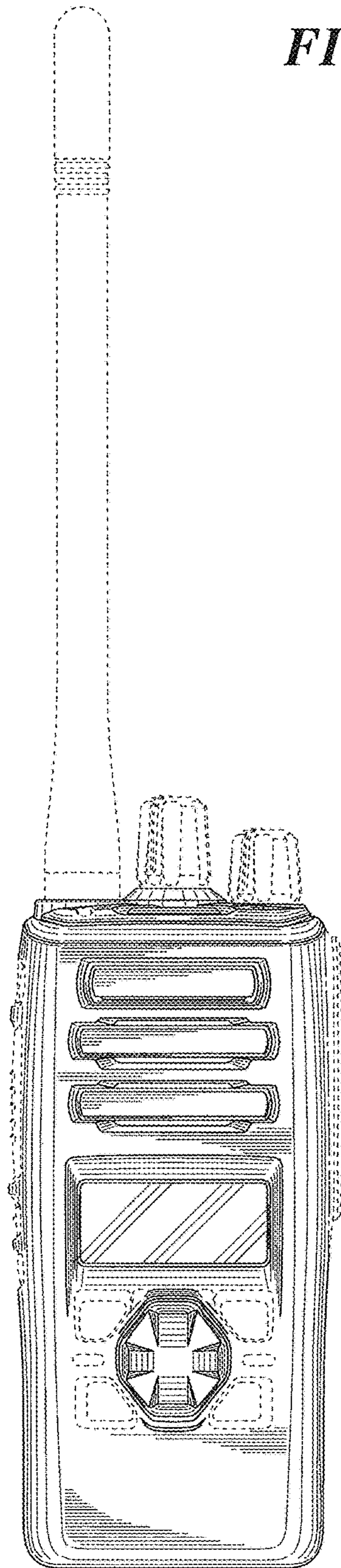


FIG. 3

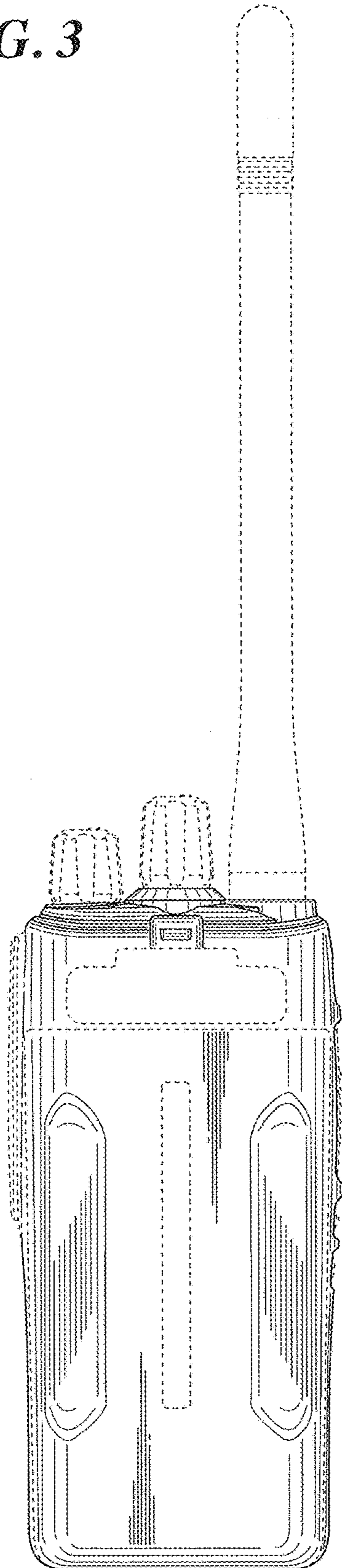


FIG. 4

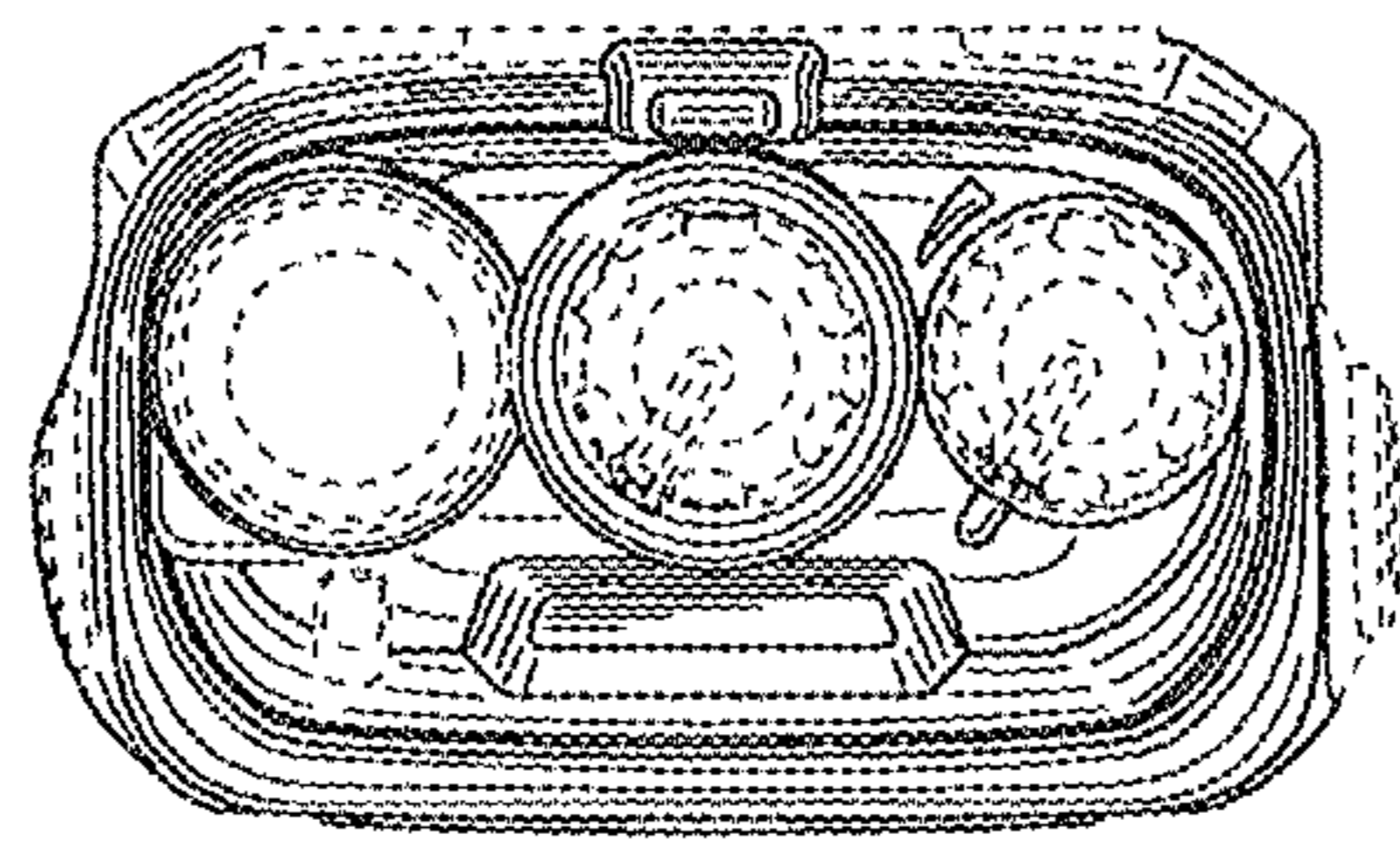


FIG. 5

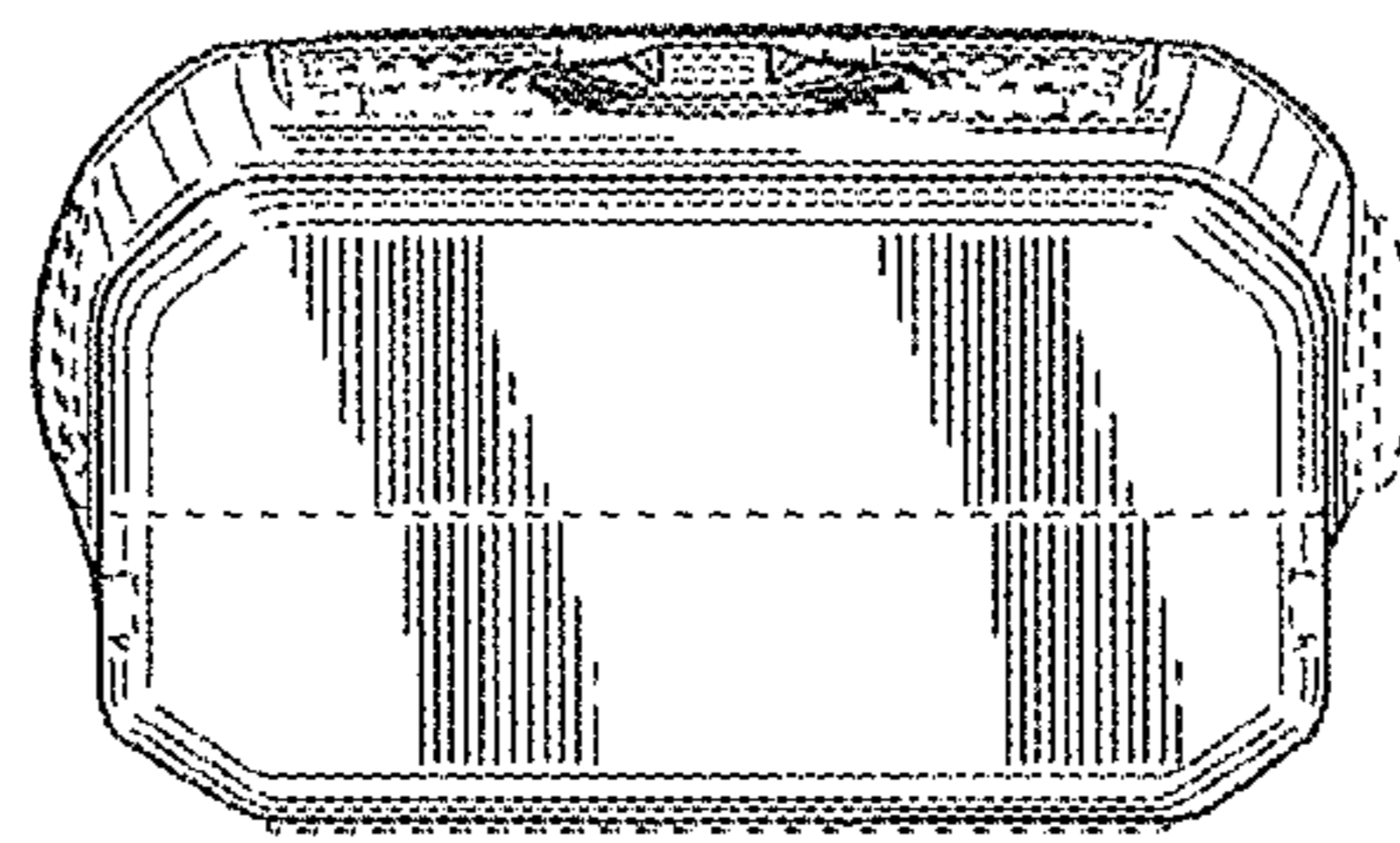


FIG. 6

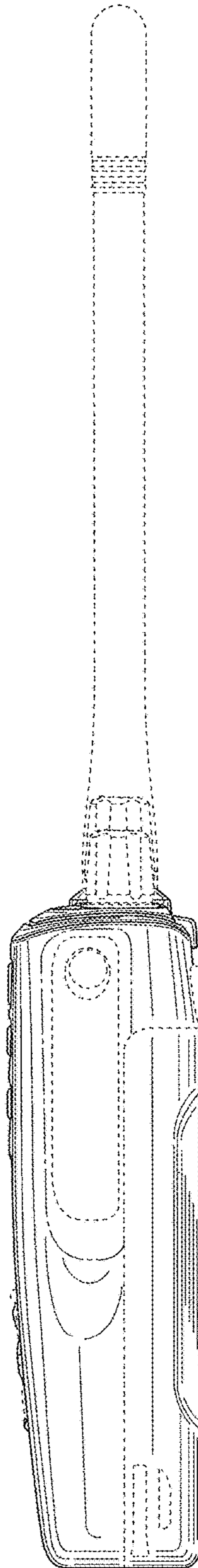


FIG. 7

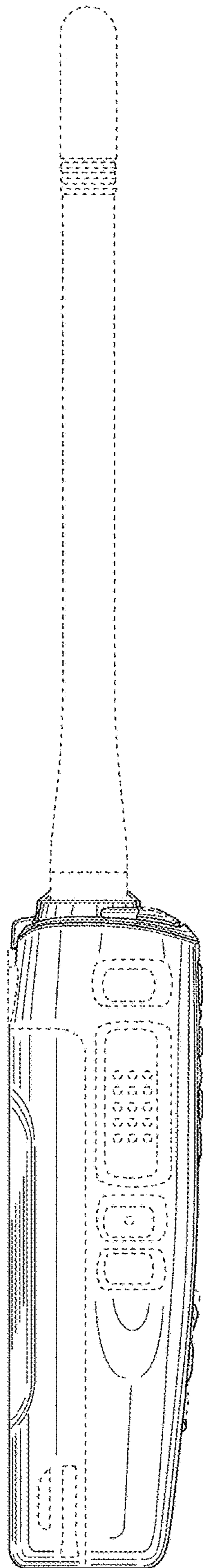


FIG. 8

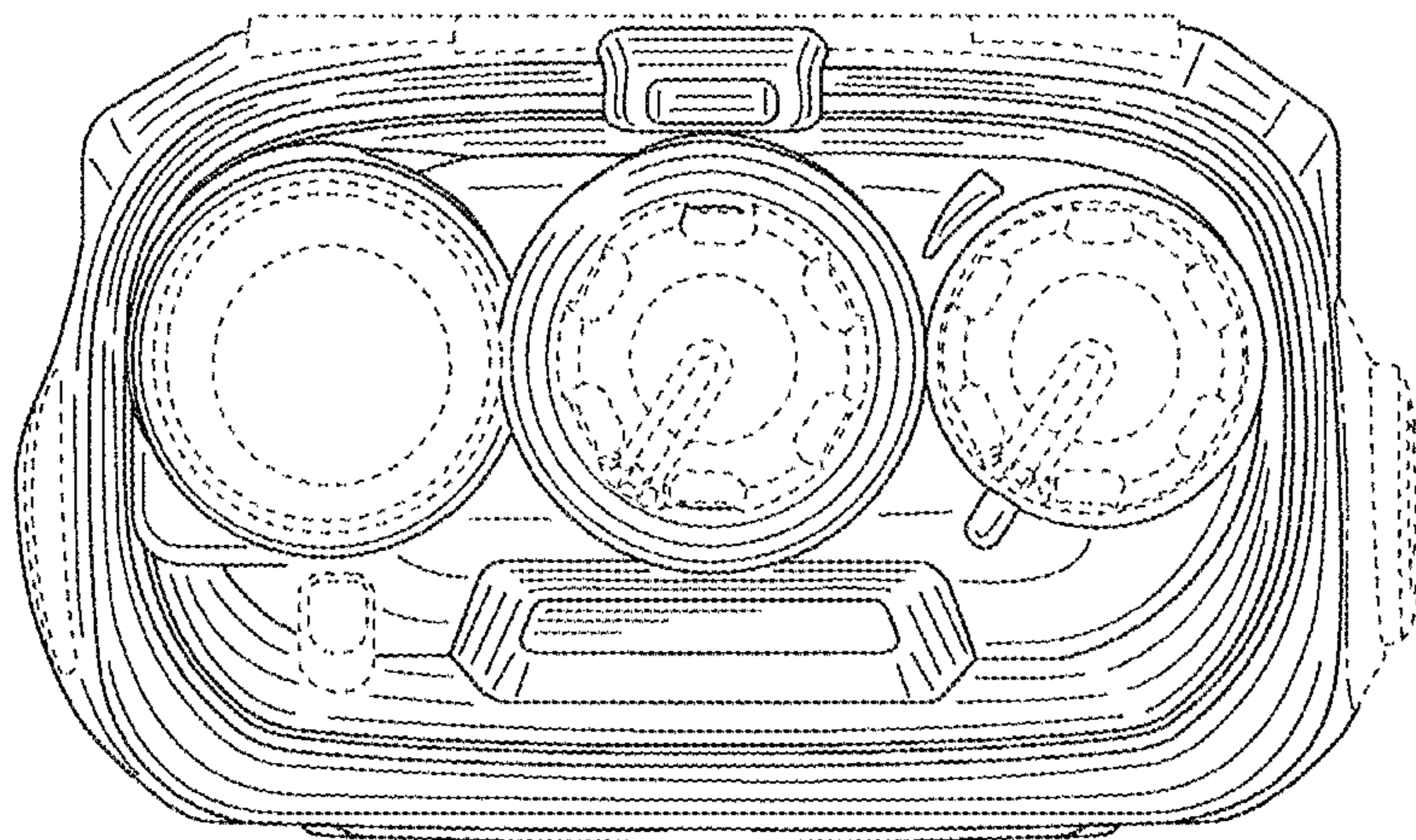


FIG. 9

