



US00D817907S

(12) **United States Design Patent**
Kim et al.

(10) **Patent No.:** **US D817,907 S**

(45) **Date of Patent:** **** May 15, 2018**

(54) **TV RECEIVER**

(71) Applicant: **LG ELECTRONICS INC.**, Seoul (KR)

(72) Inventors: **Yooseok Kim**, Seoul (KR); **Jongyoun Shin**, Seoul (KR); **Sunha Park**, Seoul (KR); **Younsoo Kim**, Seoul (KR); **Byungmu Huh**, Seoul (KR)

(73) Assignee: **LG ELECTRONICS INC.**, Seoul (KR)

(**) Term: **15 Years**

(21) Appl. No.: **35/501,871**

(22) Filed: **May 11, 2016**

(80) **Hague Agreement Data**

Int. Filing Date: **May 11, 2016**

Int. Reg. No.: **DM/092238**

Int. Reg. Date: **May 11, 2016**

Int. Reg. Pub. Date: **Nov. 11, 2016**

(30) **Foreign Application Priority Data**

Nov. 13, 2015 (KR) 30-2015-0057391

(51) **LOC (11) Cl.** **14-03**

(52) **U.S. Cl.**
USPC **D14/126**

(58) **Field of Classification Search**

USPC D14/125-134, 136, 159, 239, 336, 342,
D14/371, 374-377, 440, 448, 450;
D21/329, 515, 577, 622

CPC ... G06F 1/1601; G06F 1/1643; H05K 5/0004;

H05K 5/0017; H05K 5/02; H05K 5/0217

See application file for complete search history.

(56) **References Cited**

U.S. PATENT DOCUMENTS

D700,586 S * 3/2014 Kim D14/126

D733,082 S * 6/2015 Hwangbo D14/126

D768,100 S * 10/2016 Seo D14/126
D769,837 S * 10/2016 Kim D14/126
D770,407 S * 11/2016 Lee D14/126
D773,418 S * 12/2016 Won D14/126
D778,854 S * 2/2017 Lee D14/126
D783,554 S * 4/2017 Kim D14/126
D784,940 S * 4/2017 Lee D14/126
D785,581 S * 5/2017 McManigal D14/126
D787,462 S * 5/2017 Shiono D14/126
D790,493 S * 6/2017 Han D14/126
D799,440 S * 10/2017 Kim D14/126

* cited by examiner

Primary Examiner — Manpreet S Matharu

Assistant Examiner — Holly E Thurman

(74) *Attorney, Agent, or Firm* — Birch, Stewart, Kolasch & Birch, LLP

(57) **CLAIM**

The ornamental design for a TV receiver, as shown and described.

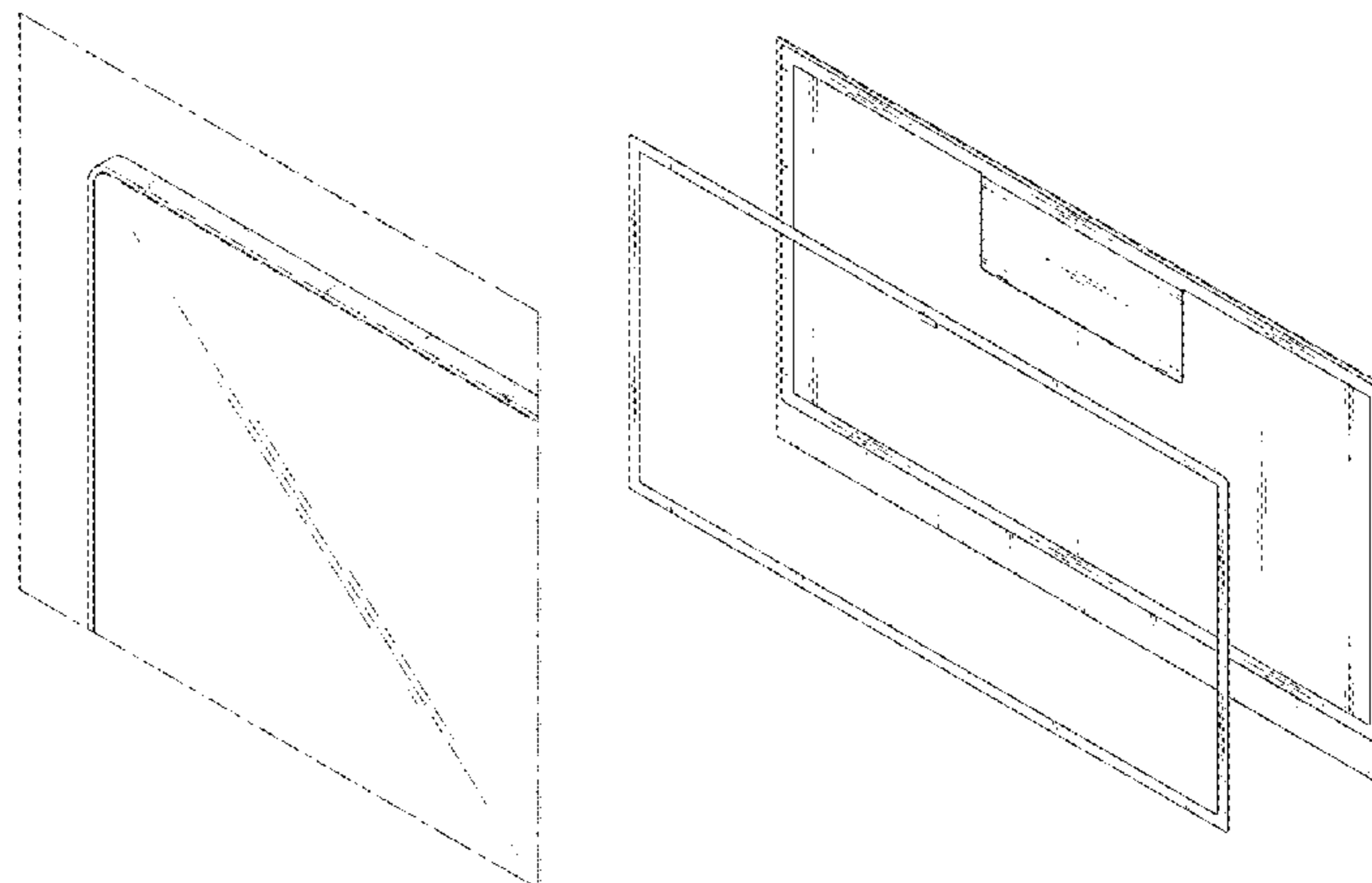
DESCRIPTION

- 1. TV receiver
- 1.1 : Perspective
- 1.2 : Rear perspective view
- 1.3 : Front
- 1.4 : Back
- 1.5 : Left
- 1.6 : Right
- 1.7 : Top
- 1.8 : Bottom
- 1.9 : Enlarged
- 1.10 : Reference
- 1.11 : Reference

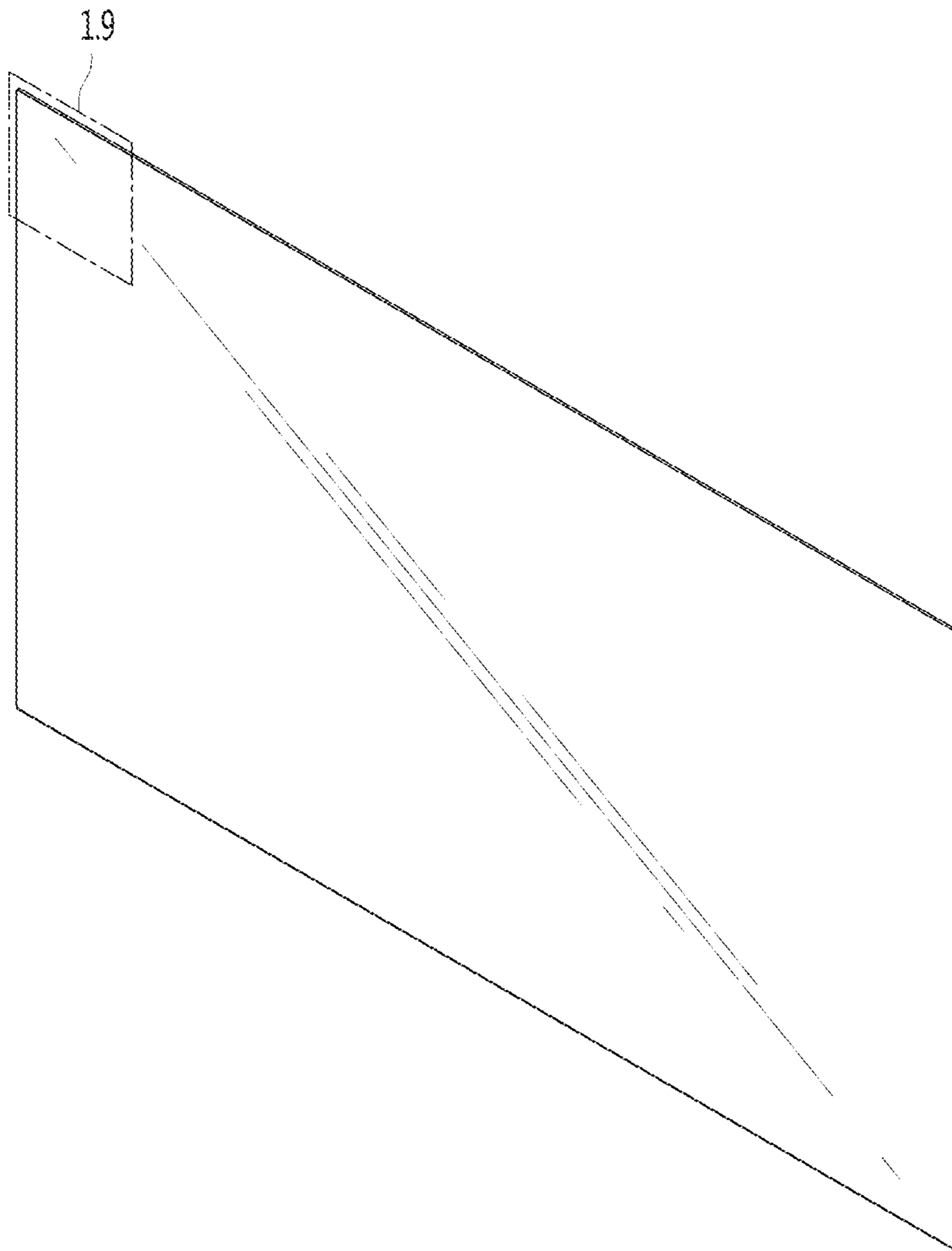
The dash-dot broken lines shown in figures 1.1 and 1.9 are included to show a partially enlarged view of figure 1.1 only and form no part of the claimed design.

The evenly-spaced broken lines shown in figure 1.11 are included for the purpose of illustrating environment and form no part of the claimed design.

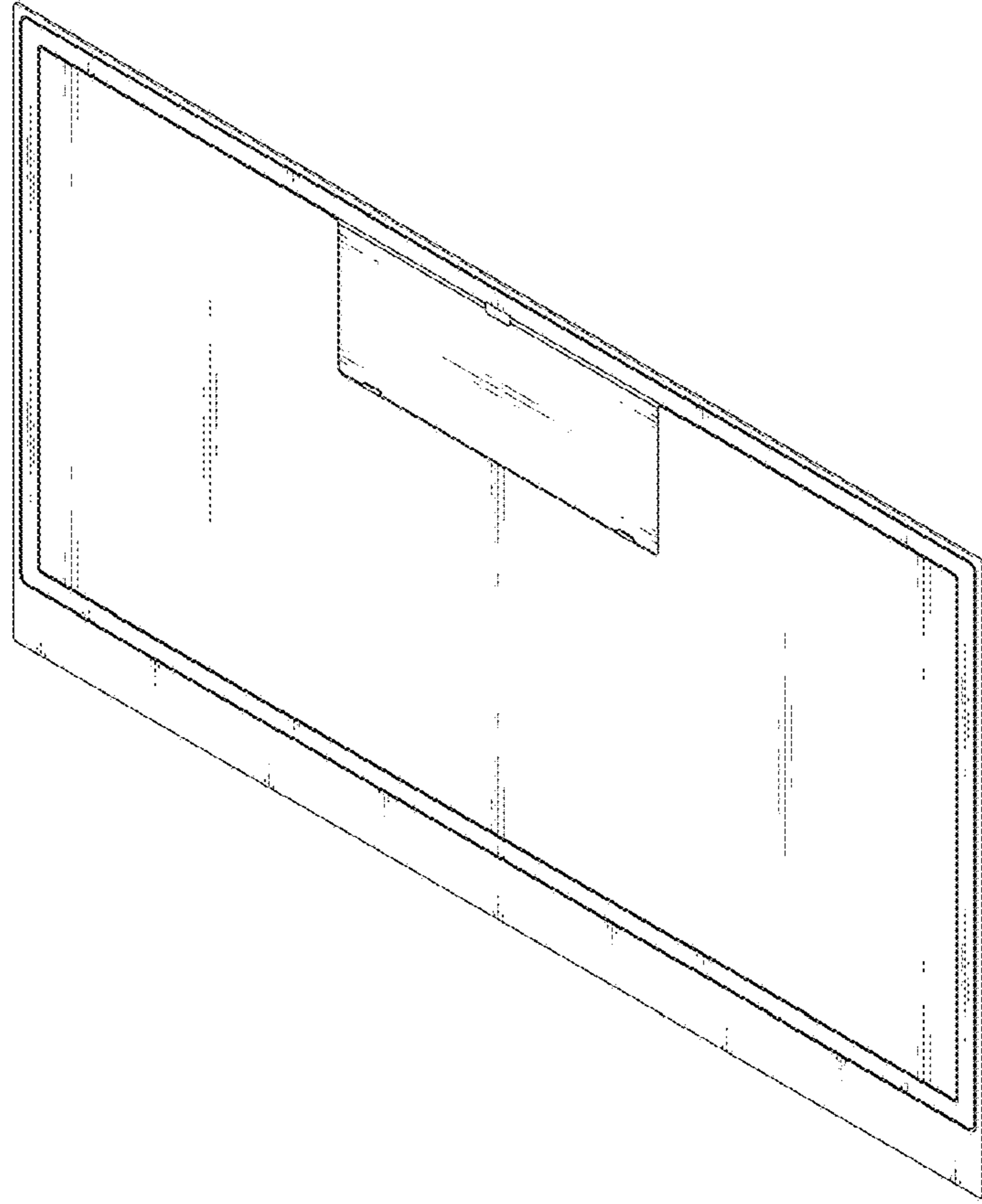
1 Claim, 7 Drawing Sheets



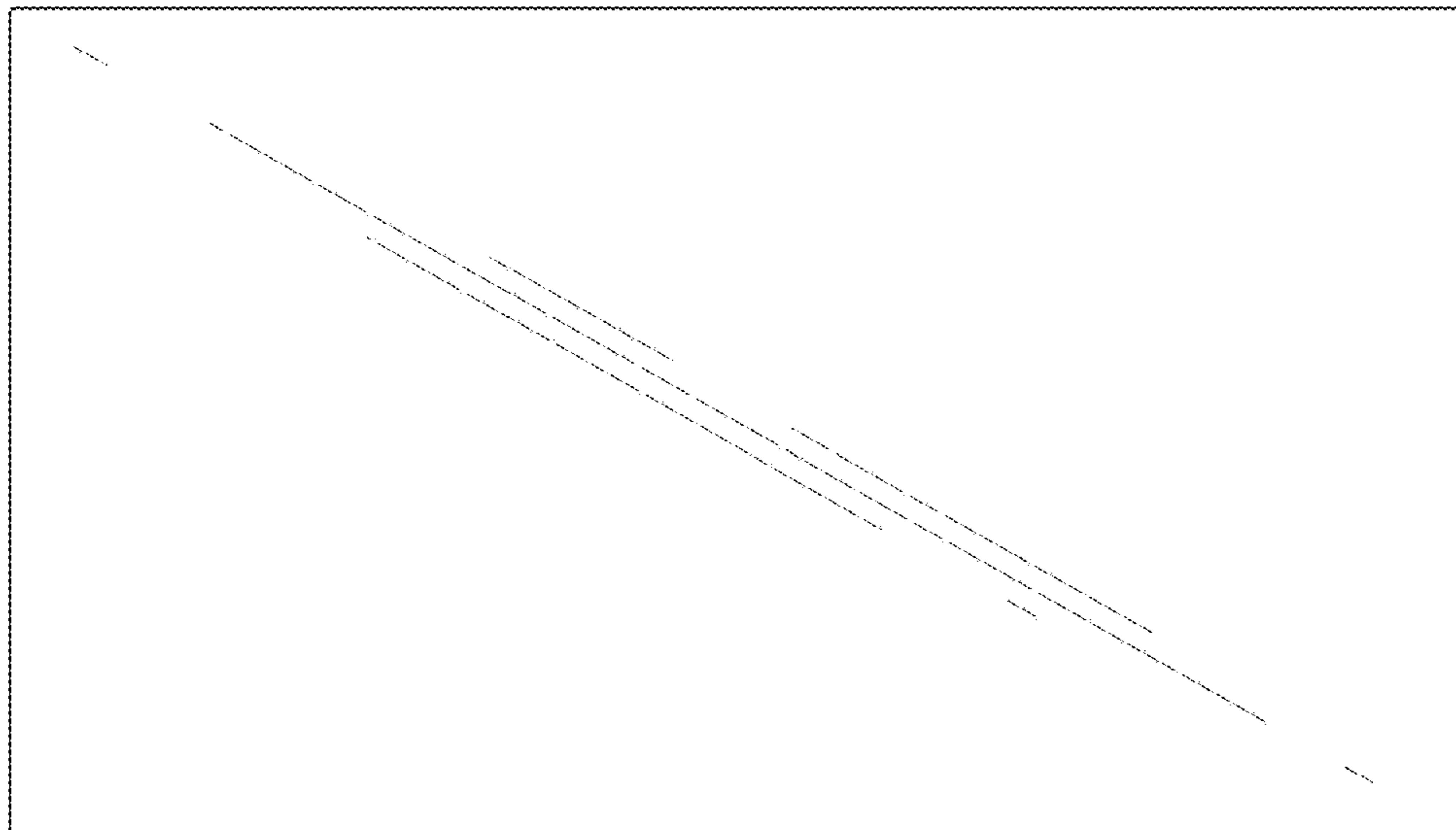
1.1



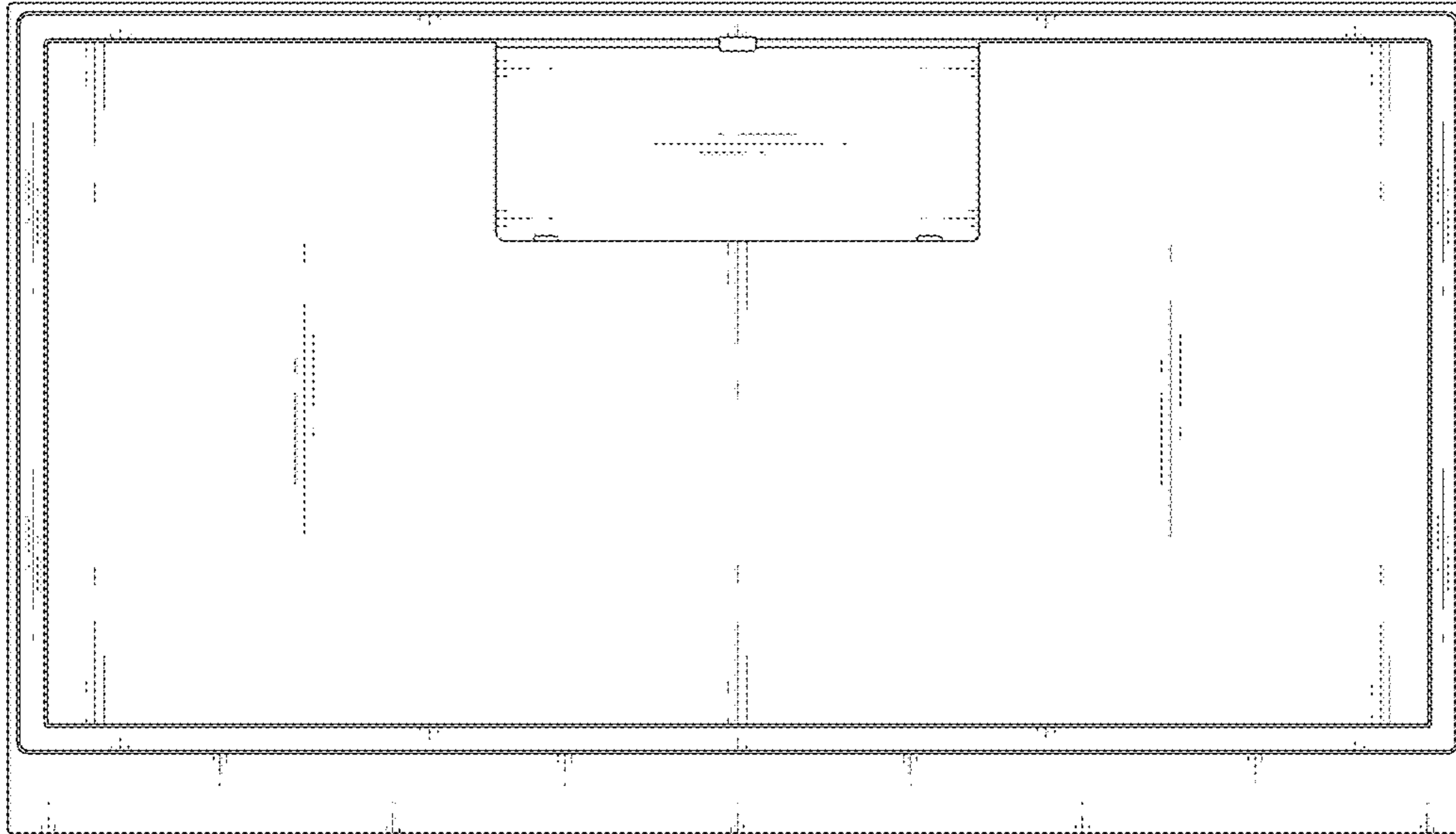
1.2



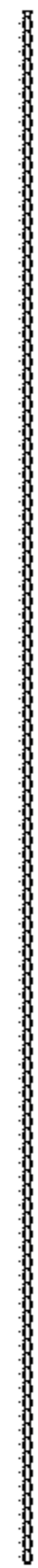
1.3



1.4



1.5



1.6



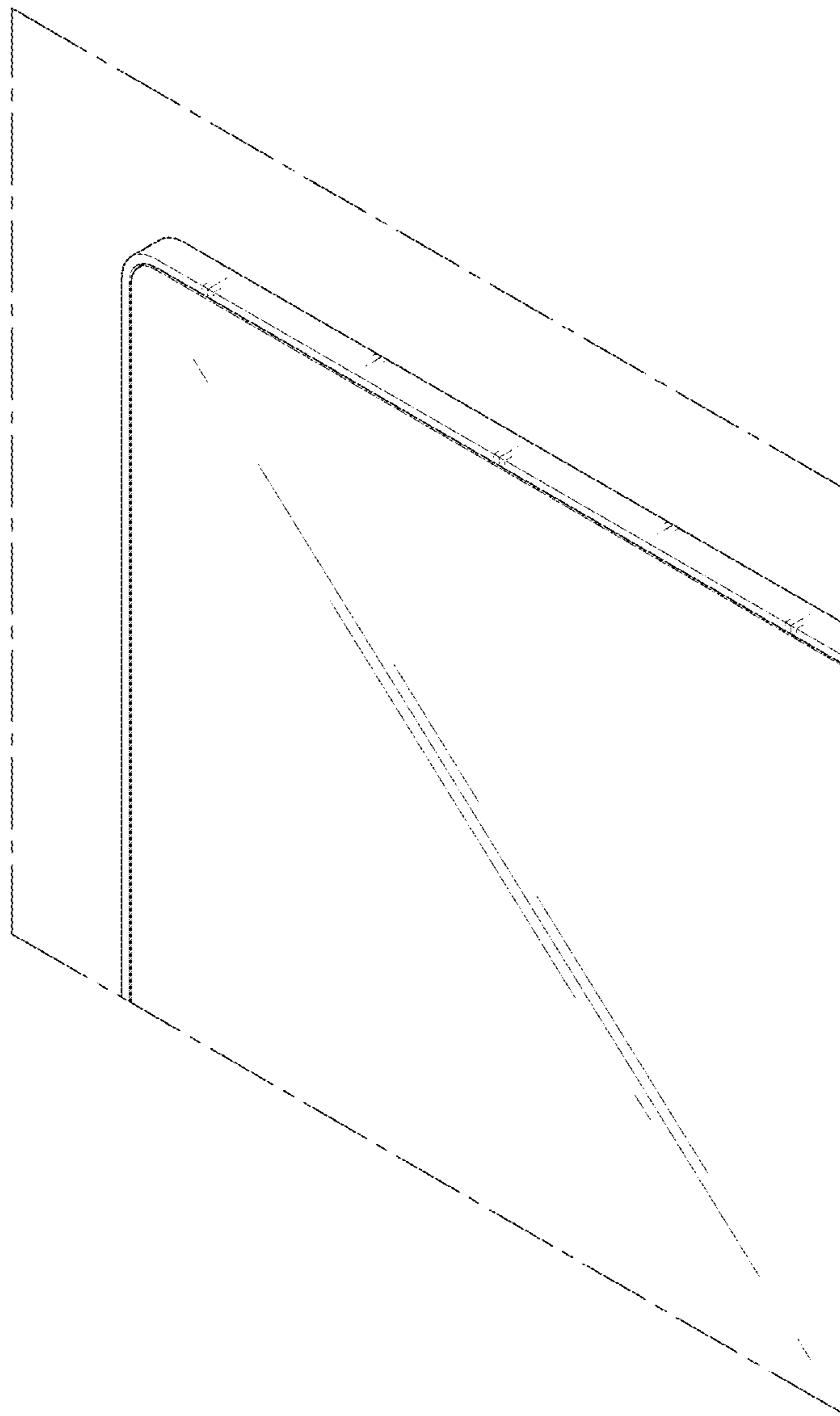
1.7



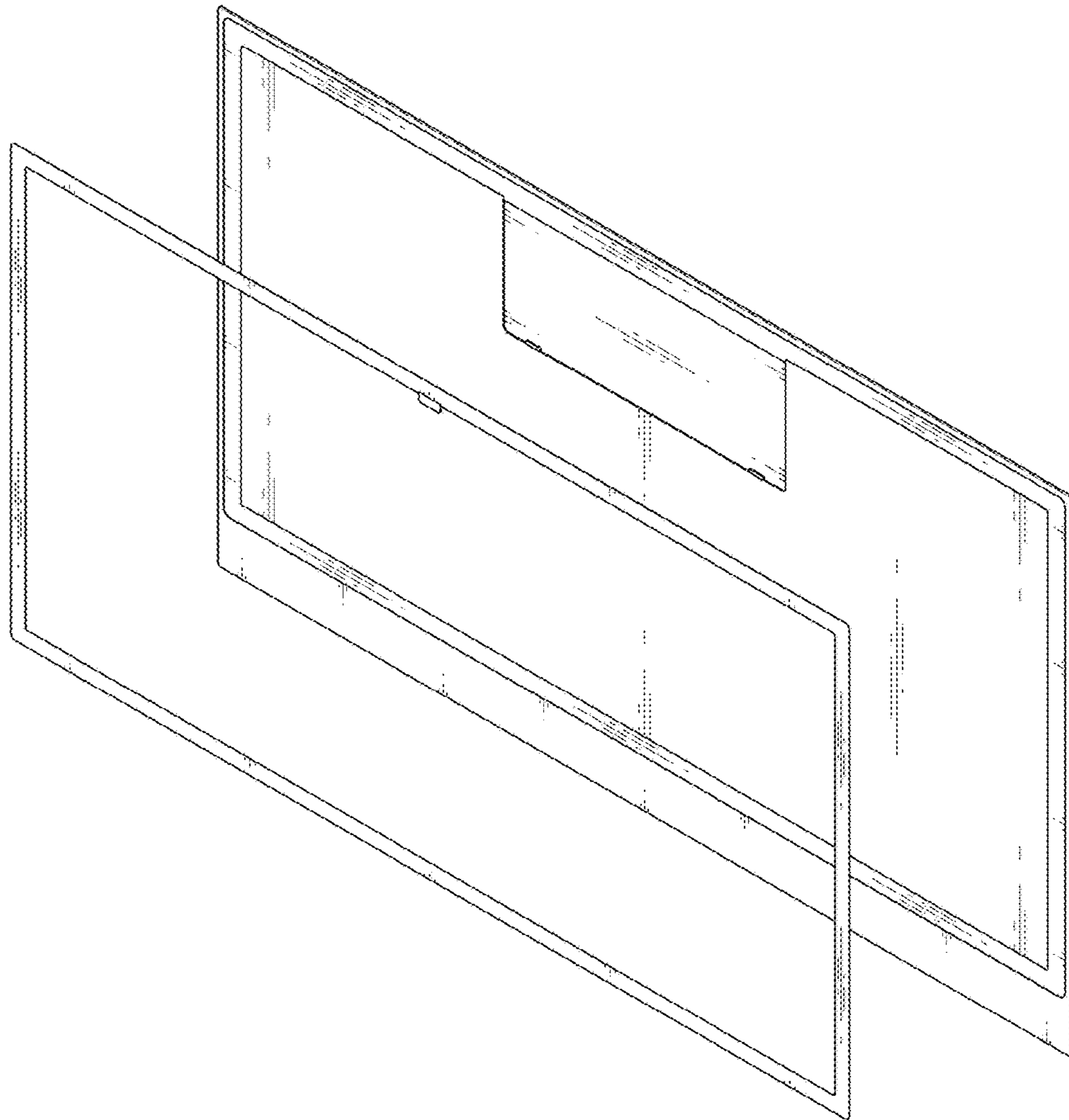
1.8



1.9



1.10



1.11

