



US00D817904S

(12) **United States Design Patent**  
**Won et al.**

(10) **Patent No.:** **US D817,904 S**

(45) **Date of Patent:** **\*\* May 15, 2018**

(54) **TELEVISION RECEIVER**

5/0004; H05K 5/0017; H05K 5/02; H05K  
5/0217; H04N 13/0459

(71) Applicant: **LG ELECTRONICS INC.**, Seoul  
(KR)

See application file for complete search history.

(72) Inventors: **Hyojin Won**, Seoul (KR); **Yongho Lee**,  
Seoul (KR)

(56) **References Cited**

U.S. PATENT DOCUMENTS

(73) Assignee: **LG ELECTRONICS INC.**, Seoul  
(KR)

D464,647 S \* 10/2002 Goto ..... D14/348  
D590,890 S \* 4/2009 King ..... D20/39  
D640,688 S \* 6/2011 Park ..... D14/341

(Continued)

(\*\*) Term: **15 Years**

*Primary Examiner* — Mary Ann Calabrese

*Assistant Examiner* — Jennifer L Rempfer

(21) Appl. No.: **35/501,343**

(74) *Attorney, Agent, or Firm* — Birch, Stewart, Kolasch  
& Birch, LLP

(22) Filed: **Feb. 3, 2016**

(80) **Hague Agreement Data**

Int. Filing Date: **Feb. 3, 2016**

Int. Reg. No.: **DM/090639**

Int. Reg. Date: **Feb. 3, 2016**

Int. Reg. Pub. Date: **Aug. 5, 2016**

(57) **CLAIM**

The ornamental design for a television receiver, as shown  
and described.

(30) **Foreign Application Priority Data**

Aug. 5, 2015 (KR) ..... 30-2015-0039674

(51) **LOC (11) Cl.** ..... **14-03**

(52) **U.S. Cl.**  
USPC ..... **D14/126**

(58) **Field of Classification Search**

USPC ..... D14/125–134, 159, 239, 341, 342, 346,  
D14/347, 336, 371, 374–377, 420, 426,  
D14/440, 448, 450, 496, 138 R, 138 AA,  
D14/138 G, 147, 203.1–203.7, 247, 388,  
D14/389; D6/300–310; D16/241;  
D20/10, 15, 17, 19, 39; D21/329, 333,  
D21/331, 332; D10/1, 30, 40

CPC .. G06F 1/1613; G06F 3/04883; G06F 1/1647;  
G06F 3/04845; G06F 1/1601; G06F  
1/1643; A63H 33/3016; H04M 1/0279;  
H04M 1/0281; H04M 1/0283; H05K

**DESCRIPTION**

The file of this patent contains at least one drawing/photo-  
graph executed in color. Copies of this patent with color  
drawing(s)/photograph(s) will be provided by the Office  
upon request and payment of the necessary fee.

1. Television receiver

1.1 : Perspective

1.2 : Front

1.3 : Back

1.4 : Left

1.5 : Right

1.6 : Top

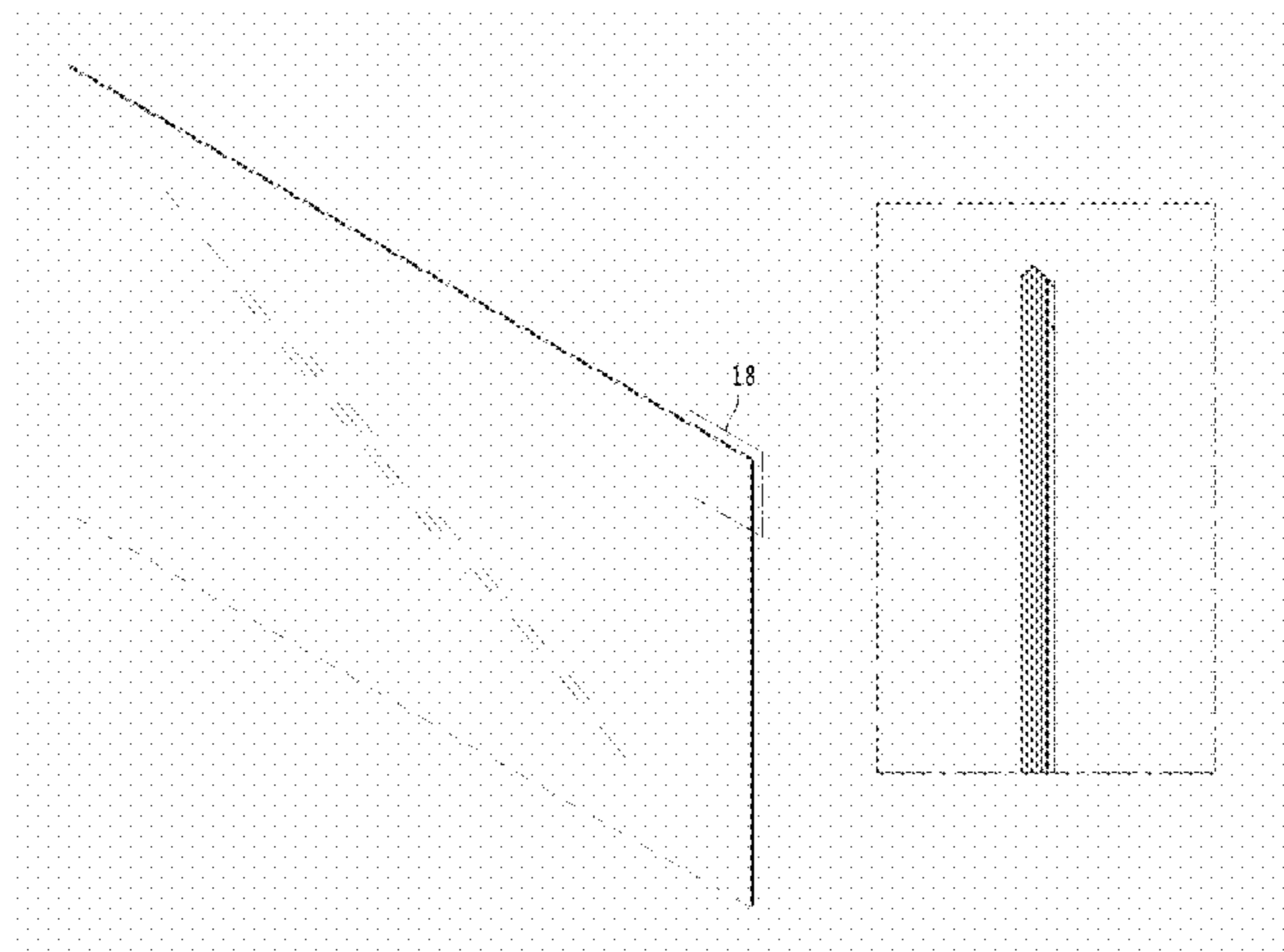
1.7 : Bottom

1.8 : Enlarged

1.9 : Enlarged

The dash-dot broken lines of figures **1.1**, **1.4**, **1.8** and **1.9** are  
included to show partially enlarged views only and form no  
part of the claimed design.

(Continued)



The color shading shown in figure 1.9 is included for the purpose of illustrating unclaimed portions of the television receiver and forms no part of the claimed design.

**1 Claim, 6 Drawing Sheets  
(1 of 6 Drawing Sheet(s) Filed in Color)**

(56)

**References Cited**

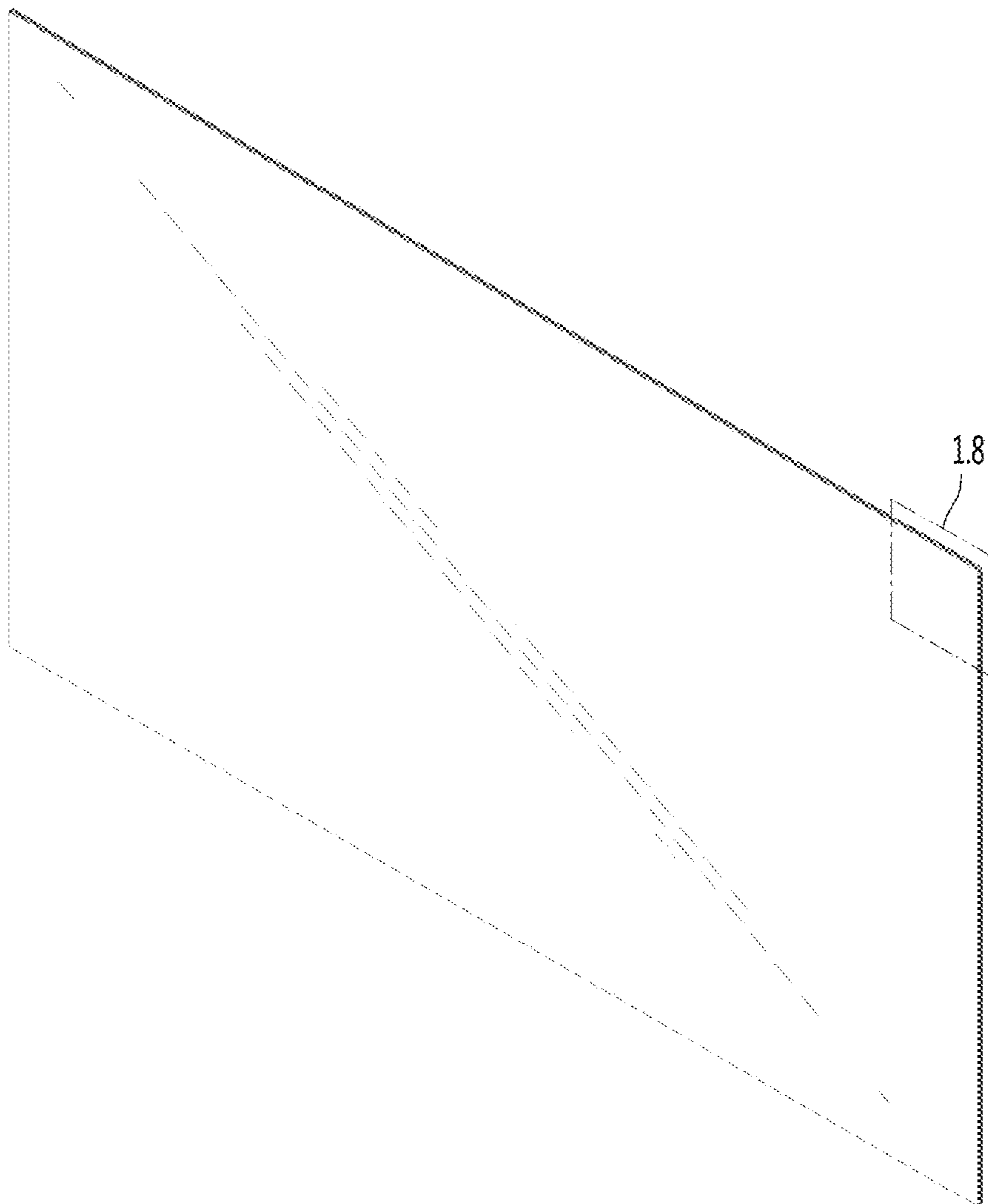
U.S. PATENT DOCUMENTS

D645,491 S \* 9/2011 Lee ..... D14/138 R  
 D647,866 S \* 11/2011 Chen ..... D14/125  
 D654,856 S \* 2/2012 Inskeep ..... D13/107  
 D664,211 S \* 7/2012 Hase ..... D20/42  
 D677,660 S \* 3/2013 Groene ..... D14/341  
 D680,529 S \* 4/2013 Reeves ..... D14/341

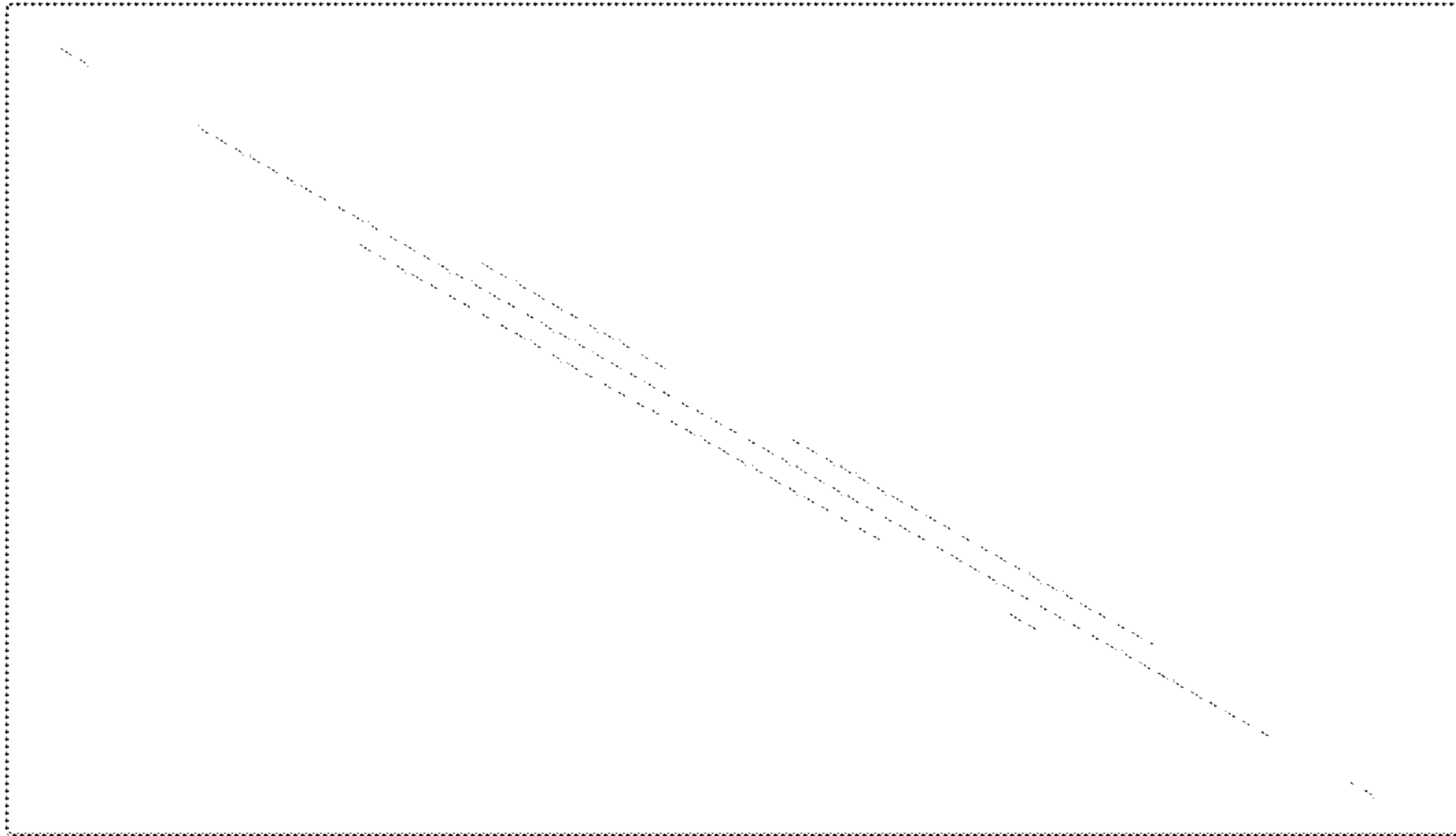
D699,280 S \* 2/2014 Lim ..... D16/241  
 D702,280 S \* 4/2014 Go ..... D16/241  
 D703,201 S \* 4/2014 Tian ..... D14/315  
 D705,185 S \* 5/2014 Jeon ..... D14/126  
 D719,150 S \* 12/2014 Daniel ..... D14/341  
 D739,402 S \* 9/2015 Seoc ..... D14/341  
 D742,343 S \* 11/2015 Moon ..... D14/126  
 D742,344 S \* 11/2015 Kim ..... D14/126  
 D748,070 S \* 1/2016 Hotta ..... D14/126  
 D753,088 S \* 4/2016 Wu ..... D14/138 G  
 D754,086 S \* 4/2016 Valeur ..... D14/126  
 D760,708 S \* 7/2016 Hirst ..... D14/250  
 D776,108 S \* 1/2017 Hsu ..... D14/341  
 D786,244 S \* 5/2017 Mohideen ..... D14/371  
 D789,930 S \* 6/2017 Webb ..... D14/348  
 2013/0017865 A1\* 1/2013 Allore ..... H01Q 1/243  
 455/566  
 2014/0153176 A1\* 6/2014 Ashcraft ..... G06F 1/166  
 361/679.21

\* cited by examiner

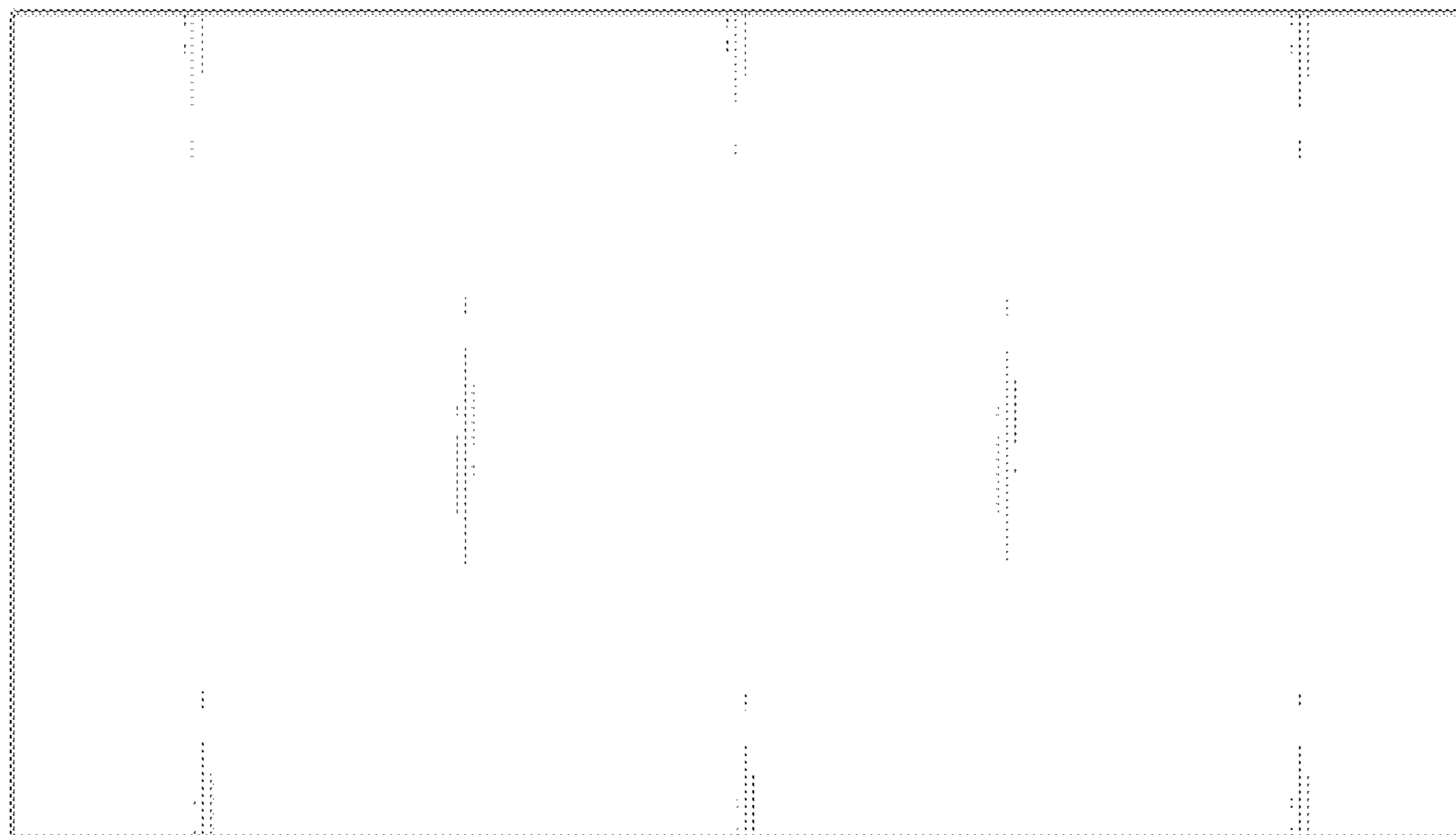
1.1



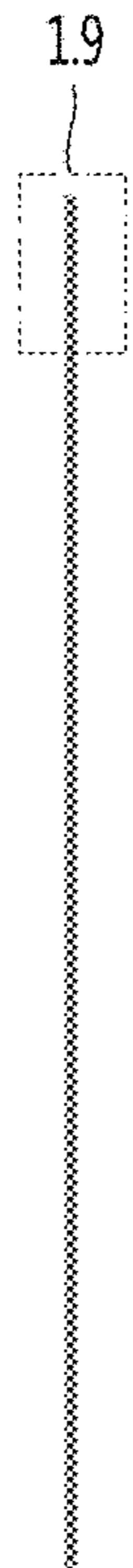
1.2



1.3



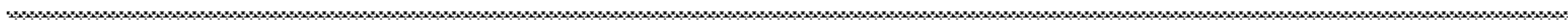
1.4



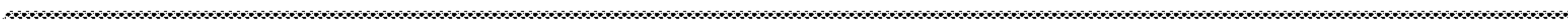
1.5



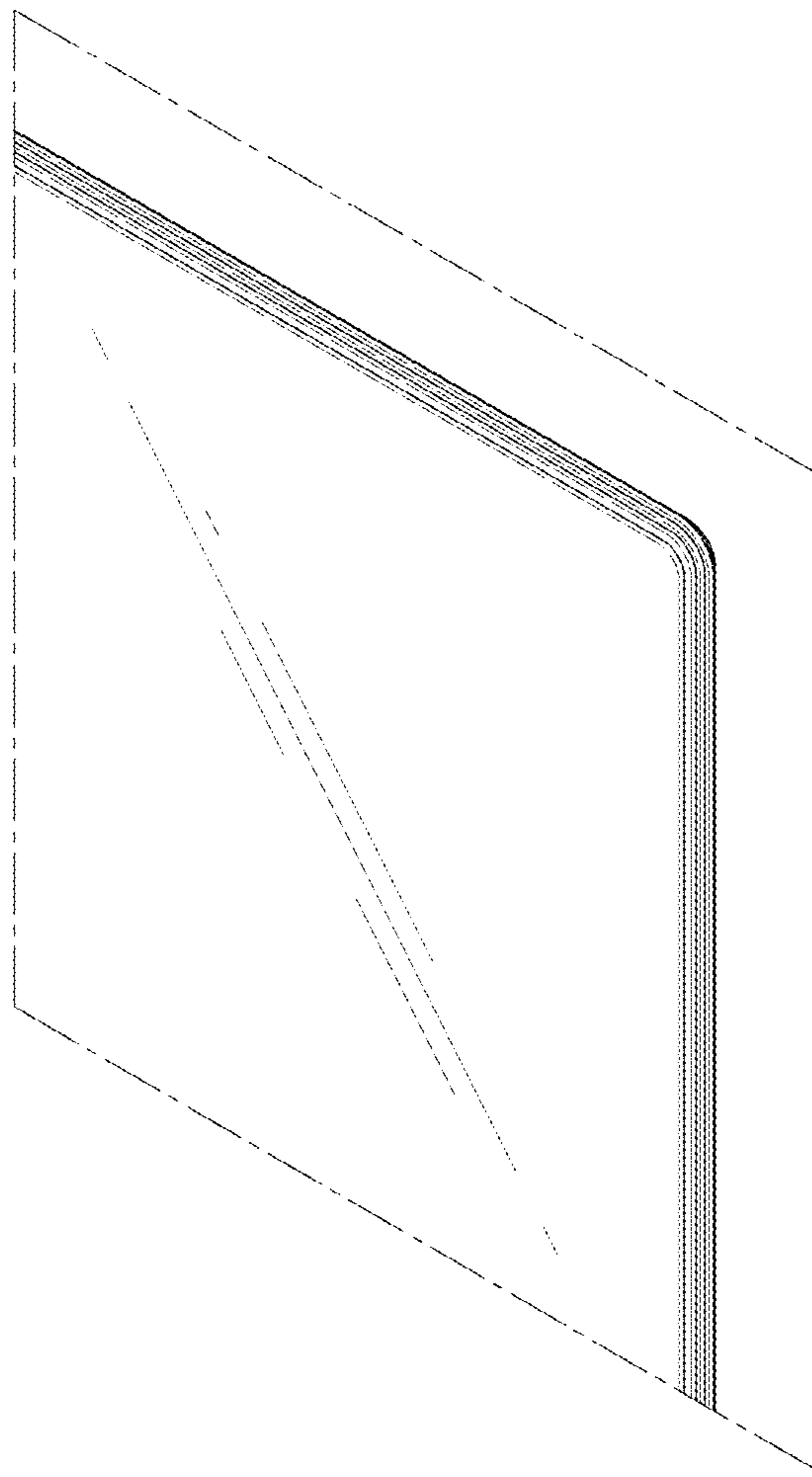
**1.6**



**1.7**



1.8



1.9

