



US00D817903S

(12) **United States Design Patent**
Won et al.

(10) **Patent No.:** **US D817,903 S**
(45) **Date of Patent:** **** May 15, 2018**

(54) **TELEVISION RECEIVER**

(71) Applicant: **LG ELECTRONICS INC.**, Seoul (KR)

(72) Inventors: **Hyojin Won**, Seoul (KR); **Yongho Lee**, Seoul (KR)

(73) Assignee: **LG ELECTRONICS INC.**, Seoul (KR)

(**) Term: **15 Years**

(21) Appl. No.: **35/501,341**

(22) Filed: **Feb. 3, 2016**

(80) **Hague Agreement Data**

Int. Filing Date: **Feb. 3, 2016**
Int. Reg. No.: **DM/090627**
Int. Reg. Date: **Feb. 3, 2016**
Int. Reg. Pub. Date: **Aug. 5, 2016**

(30) **Foreign Application Priority Data**

Aug. 5, 2015 (KR) 30-2015-0039669

(51) **LOC (11) Cl.** **14-03**

(52) **U.S. Cl.**
USPC **D14/126**

(58) **Field of Classification Search**

USPC D14/125-134, 136, 159, 239, 336, 342,
D14/371, 374-377, 440, 448, 450;
D21/329, 515, 577, 622
CPC ... G06F 1/1601; G06F 1/1643; H05K 5/0004;
H05K 5/0017; H05K 5/02; H05K 5/0217
See application file for complete search history.

(56) **References Cited**

U.S. PATENT DOCUMENTS

D606,953 S * 12/2009 Shin D14/126
D618,640 S * 6/2010 Won D14/126

D620,901 S * 8/2010 Won D14/126
D626,926 S * 11/2010 Peng D14/126
D639,256 S * 6/2011 Lee D14/126
D642,146 S * 7/2011 Park D14/126
D656,914 S * 4/2012 Shin D14/126
D715,244 S * 10/2014 Jang D14/126
D715,754 S * 10/2014 Jang D14/126
D725,064 S * 3/2015 Kim D14/126
D730,857 S * 6/2015 Park D14/126
D731,450 S * 6/2015 Son D14/126
D737,235 S * 8/2015 Kim D14/126
D738,339 S * 9/2015 Seo D14/126
D743,360 S * 11/2015 Kim D14/126
D743,361 S * 11/2015 Hwangbo D14/126
D757,668 S * 5/2016 Moon D14/126
D759,619 S * 6/2016 Seo D14/126
D769,837 S * 10/2016 Kim D14/126
D772,826 S * 11/2016 Seo D14/126
D778,249 S * 2/2017 Lee D14/126

(Continued)

Primary Examiner — Melanie H Tung
Assistant Examiner — Bao-Yen T Nugyen
(74) *Attorney, Agent, or Firm* — Birch, Stewart, Kolasch & Birch, LLP

(57) **CLAIM**

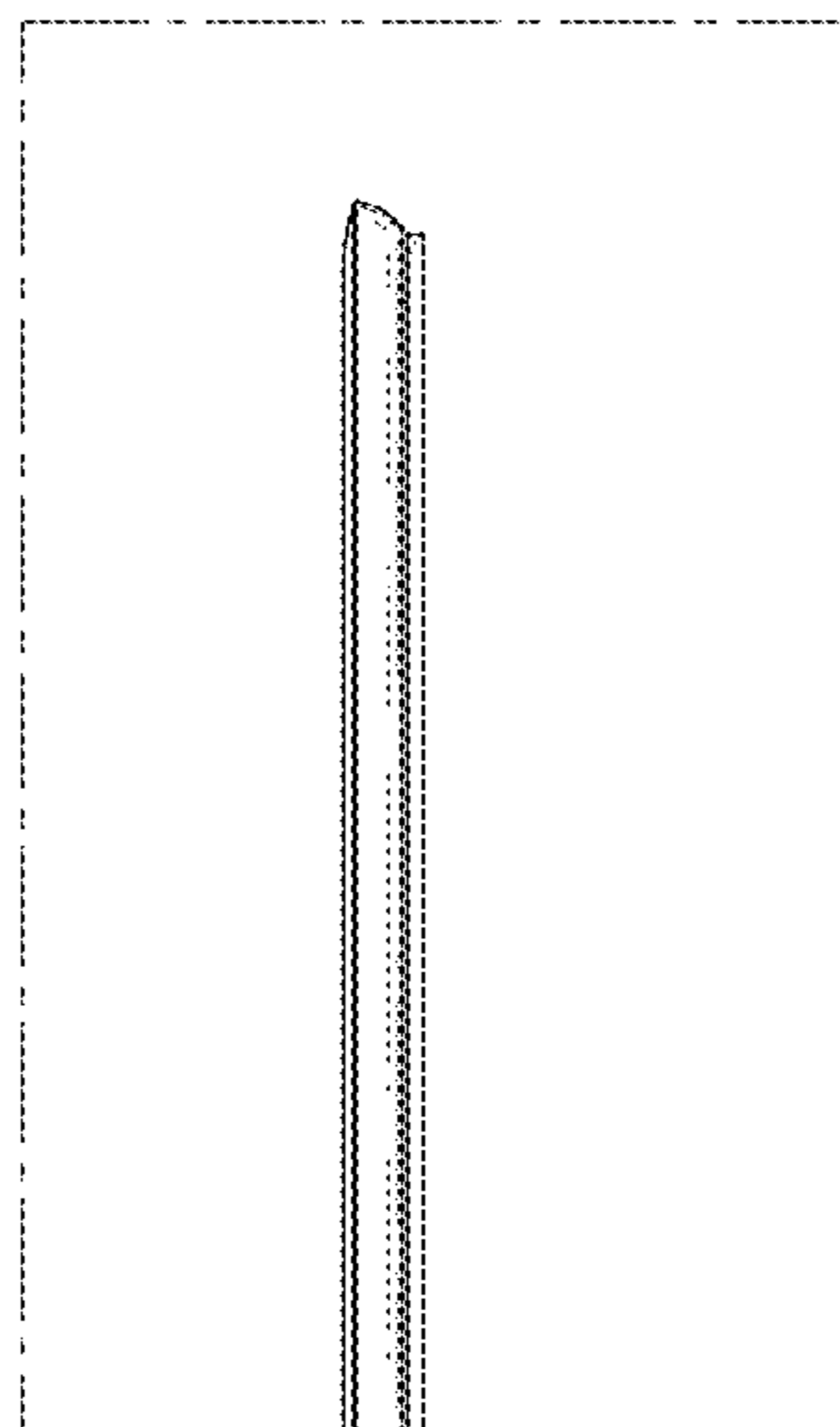
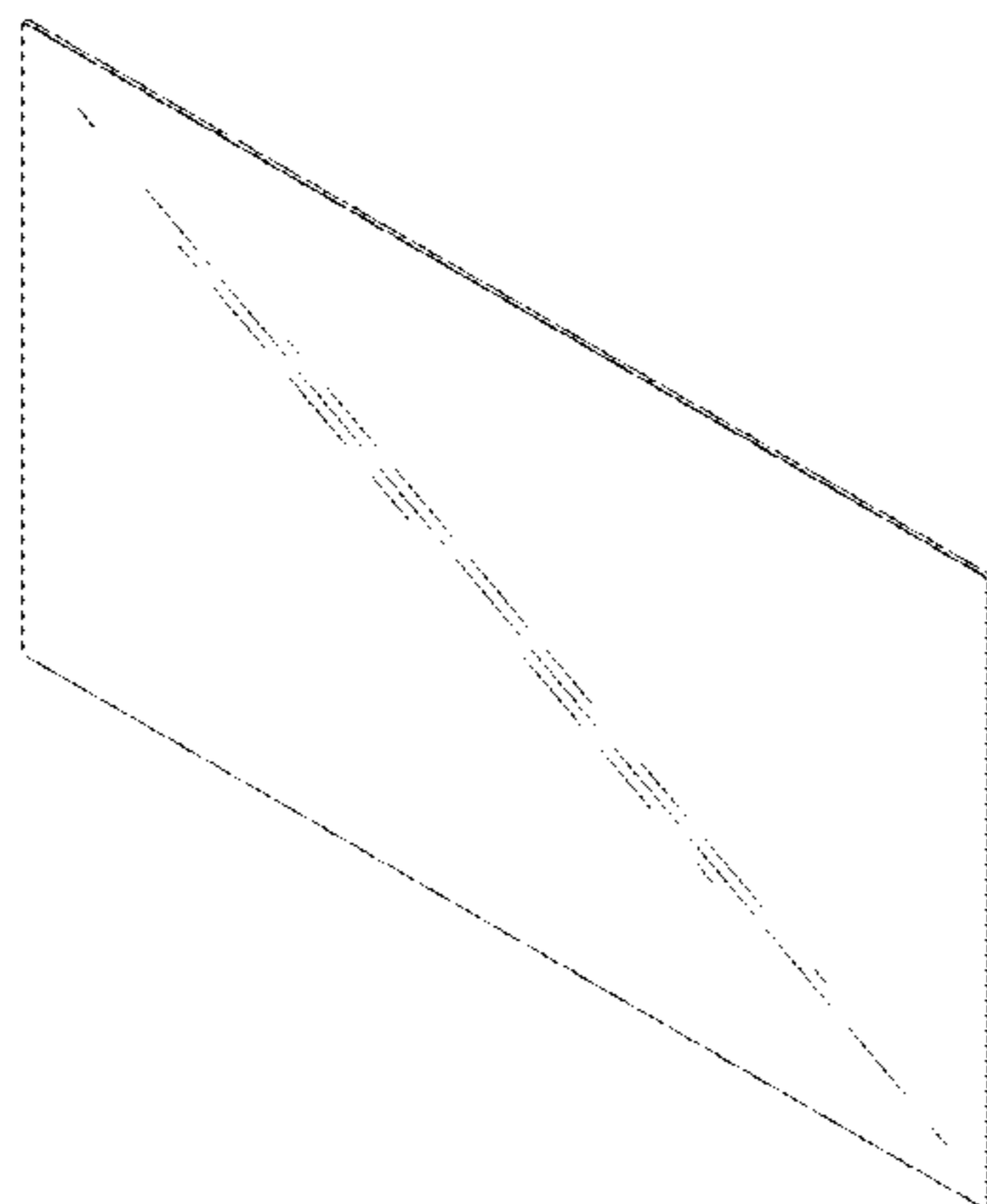
The ornamental design for a television receiver, as shown and described.

DESCRIPTION

- 1. Television receiver
- 1.1 : Perspective
- 1.2 : Front
- 1.3 : Back
- 1.4 : Left
- 1.5 : Right
- 1.6 : Top
- 1.7 : Bottom
- 1.8 : Enlarged
- 1.9 : Enlarged

The dash-dot broke lines in figs. 1.8 and 1.9 form no part of the claimed design.

1 Claim, 9 Drawing Sheets



(56)

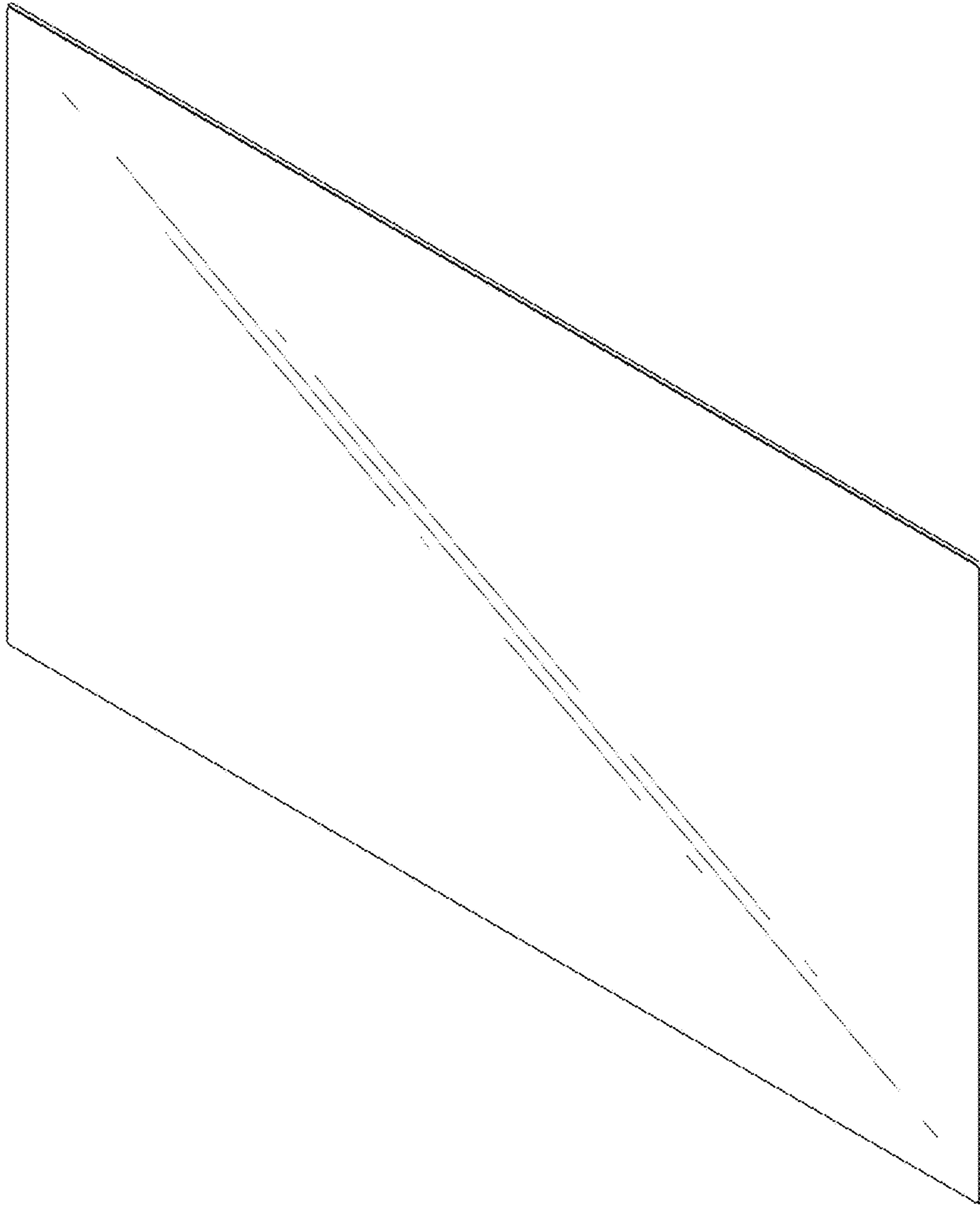
References Cited

U.S. PATENT DOCUMENTS

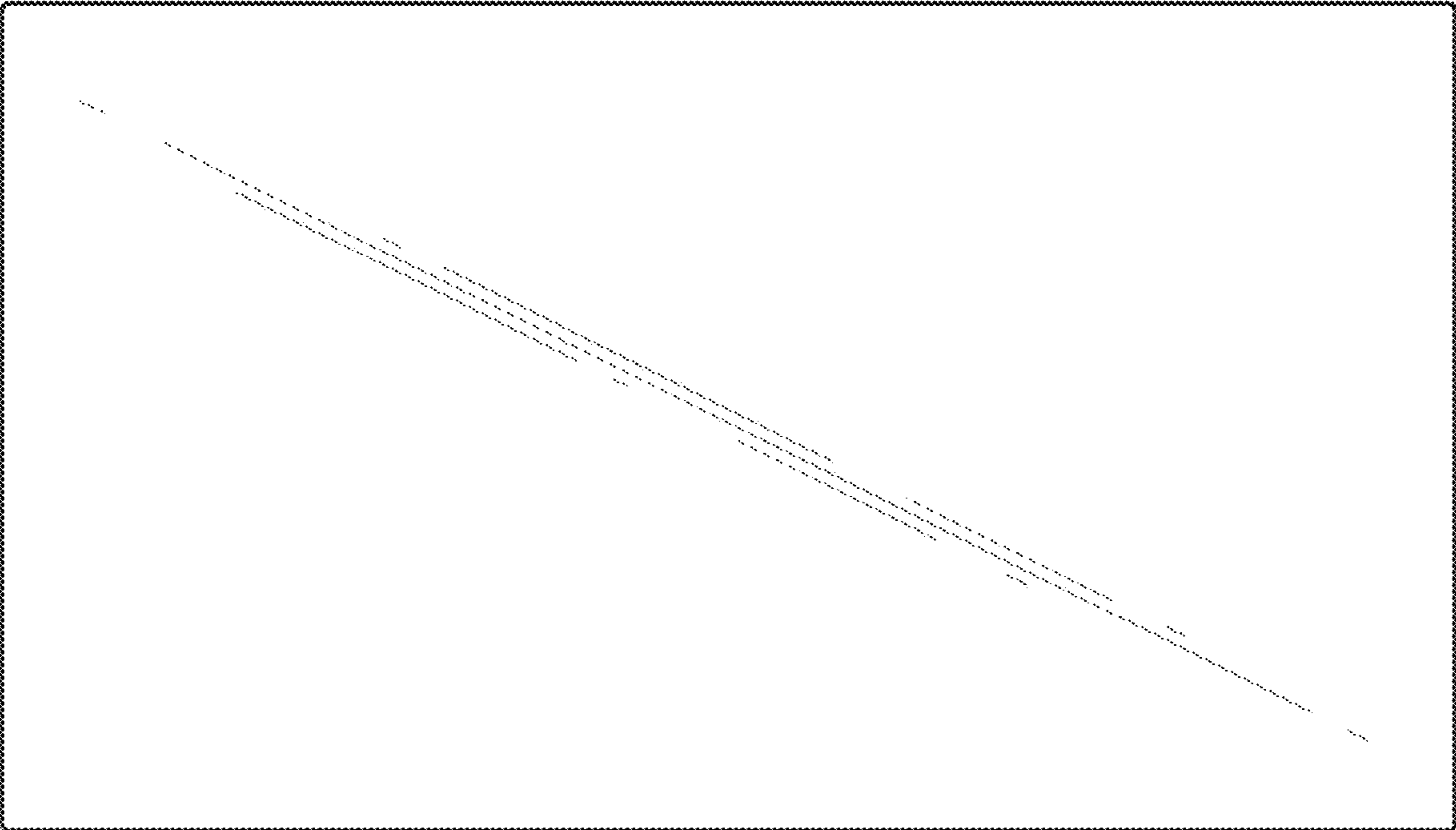
D783,554 S * 4/2017 Kim D14/126
D786,812 S * 5/2017 McManigal D14/126
2014/0133073 A1* 5/2014 Ahn H01L 51/5237
361/679.01
2015/0192481 A1* 7/2015 Nguyen G01L 1/22
345/206

* cited by examiner

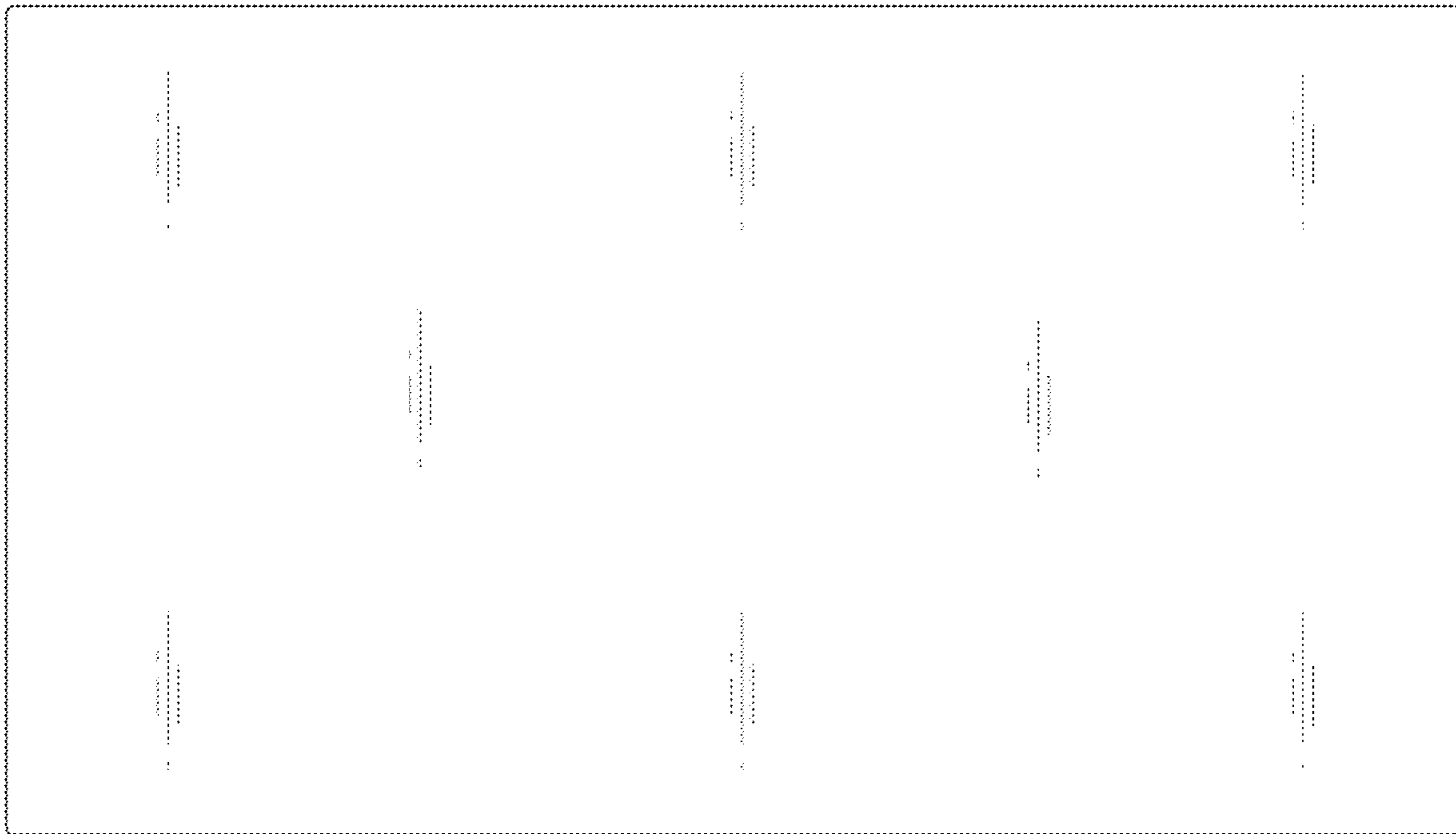
1.1



1.2



1.3



1.4



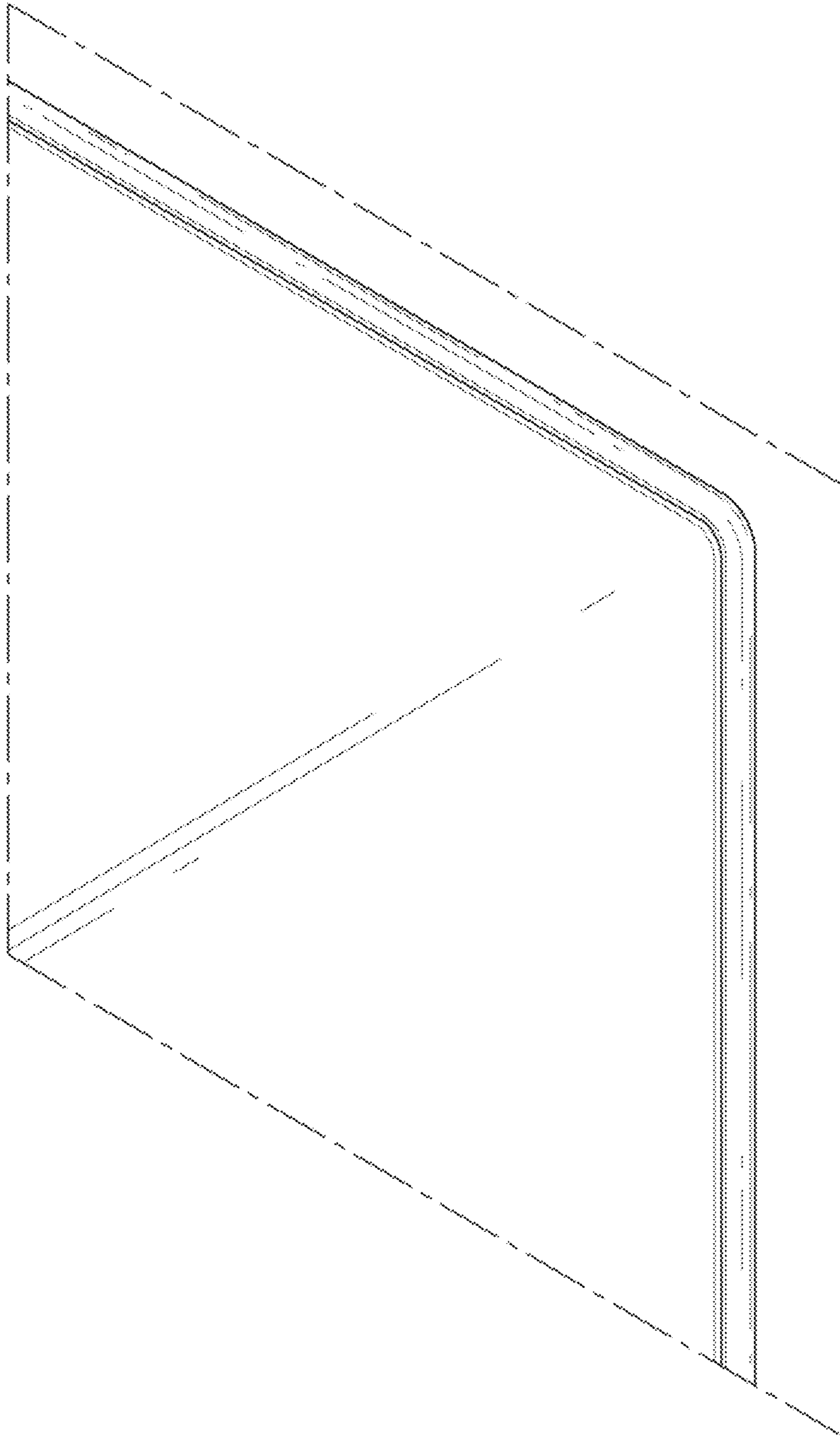
1.5



1.6

1.7

1.8



1.9

