



US00D817902S

(12) **United States Design Patent** (10) **Patent No.:** **US D817,902 S**
Lee et al. (45) **Date of Patent:** **** May 15, 2018**

(54) **TELEVISION RECEIVER**

Primary Examiner — Randall H Gholson
(74) *Attorney, Agent, or Firm* — NSIP Law

(71) Applicant: **Samsung Electronics Co., Ltd.**,
Suwon-si (KR)

(72) Inventors: **Sang Young Lee**, Gwangmyeong-si
(KR); **Kihong Kim**, Goyang-si (KR);
Sungjin Ann, Seoul (KR)

(57) **CLAIM**

We claim the ornamental design for a television receiver, as shown and described.

(73) Assignee: **Samsung Electronics Co., Ltd.**,
Suwon-si (KR)

(**) Term: **15 Years**

DESCRIPTION

(21) Appl. No.: **29/595,408**

FIG. 1 is a front perspective view of a television receiver showing our new design;
 FIG. 2 is a front view thereof;
 FIG. 3 is a rear view thereof;
 FIG. 4 is a left-side view thereof;
 FIG. 5 is a right-side view thereof;
 FIG. 6 is a top view thereof;
 FIG. 7 is a bottom view thereof;
 FIG. 8 is a rear perspective view thereof;
 FIG. 9 is another front perspective view thereof;
 FIG. 10 is an enlarged view of the encircled portion 10 in FIG. 1;
 FIG. 11 is an enlarged view of the encircled portion 11 in FIG. 8;
 FIG. 12 is an enlarged view of the encircled portion 12 in FIG. 9; and,
 FIG. 13 is an enlarged view of the encircled portion 13 in FIG. 9.

(22) Filed: **Feb. 28, 2017**

(30) **Foreign Application Priority Data**

Aug. 31, 2016 (KR) 30-2016-0042816

(51) **LOC (11) Cl.** **14-03**

(52) **U.S. Cl.**
USPC **D14/126**

(58) **Field of Classification Search**
USPC D14/125-134, 239, 371, 136, 374-377,
D14/440, 450, 448, 336, 342, 159;
312/7.2; 348/836, 838, 180, 184, 325,
348/739; 248/917-924, 465; 345/104,
345/133, 156, 168, 87, 173; D21/329,
(Continued)

The dot-dash broken lines shown in FIGS. 7, 9, and 13 and the evenly spaced broken lines shown in the figures that are immediately adjacent to the shaded areas and define unshaded regions, represent the bounds of the claim and are not included in the claim, and the dot-dot-dash broken lines encircle portions of the claimed design that are illustrated in enlargements, while all other broken lines are directed to environment; the broken lines form no part of the claimed design. In the figures, the unshaded surface that directly adjoins the claimed solid line edge forms no part of the claimed design.

(56) **References Cited**

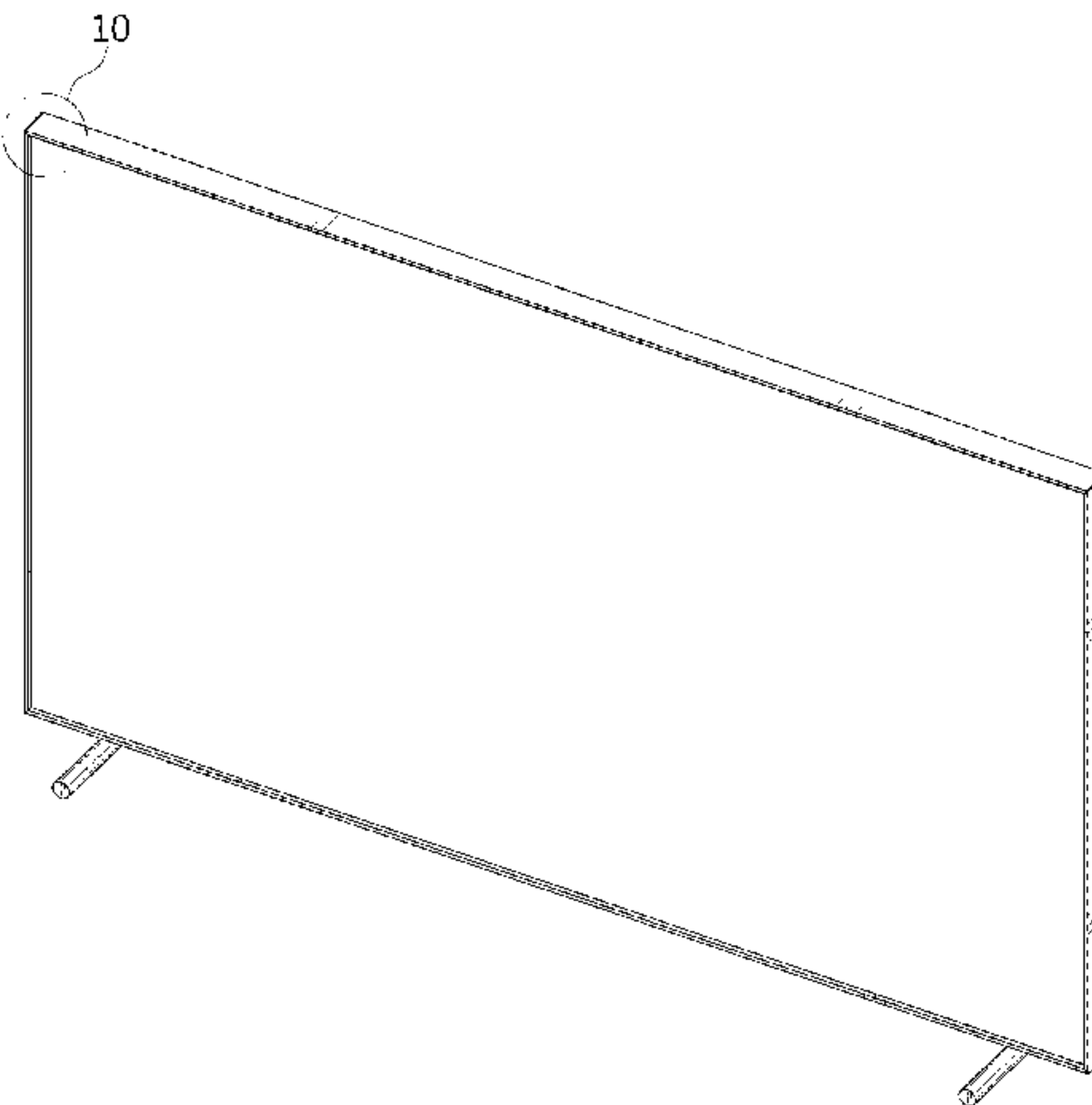
U.S. PATENT DOCUMENTS

7,681,848 B2 * 3/2010 Choi F16M 11/38
248/166
D634,722 S * 3/2011 Kim D14/126
(Continued)

FOREIGN PATENT DOCUMENTS

CN 2012301003348 11/2012
CN 2012301003437 11/2012

1 Claim, 13 Drawing Sheets



(58) **Field of Classification Search**

USPC D21/515, 577, 622, 333, 433, 448, 452,
D21/450, 331, 505; D10/15, 26;
446/484, 175, 356; D6/477, 479, 300;
D24/185; D34/14
CPC ... G06F 1/1601; G06F 1/1643; H05K 5/0004;
H05K 5/0017; H05K 5/02; H05K 5/0217
See application file for complete search history.

(56) **References Cited**

U.S. PATENT DOCUMENTS

D695,245 S * 12/2013 Hara D14/126
D749,532 S * 2/2016 McManigal D14/126

* cited by examiner

FIG. 1

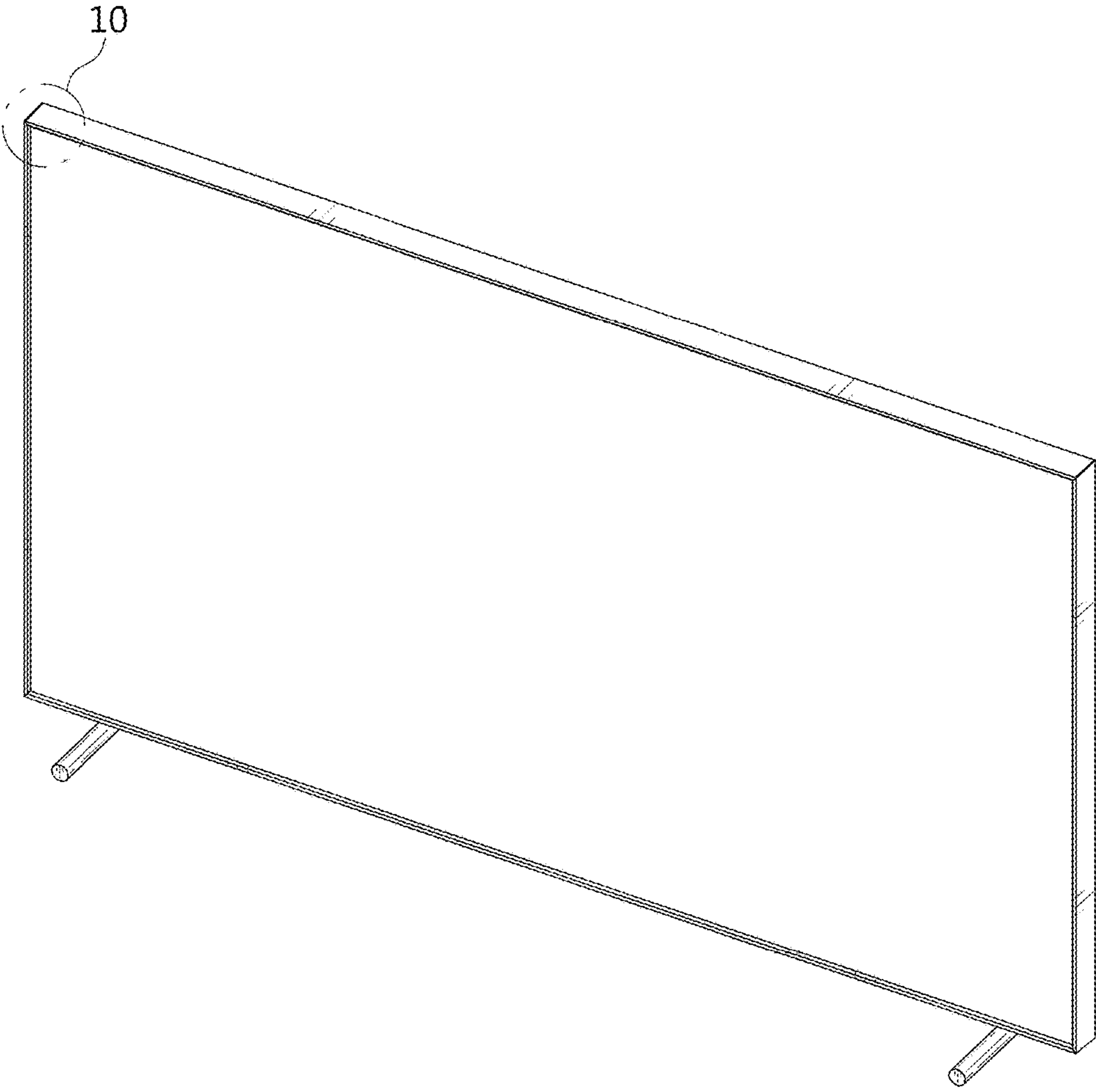


FIG. 2

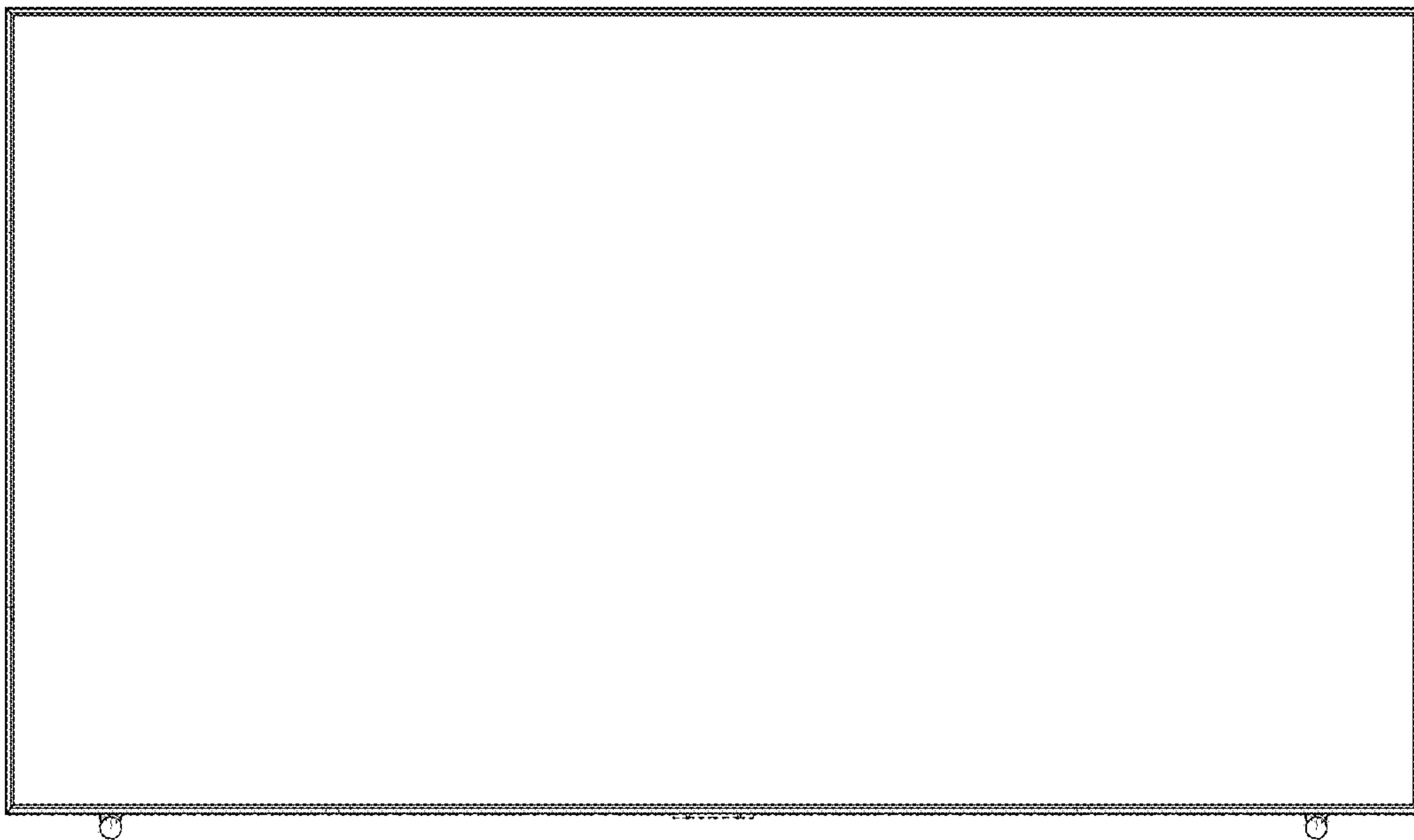


FIG. 3

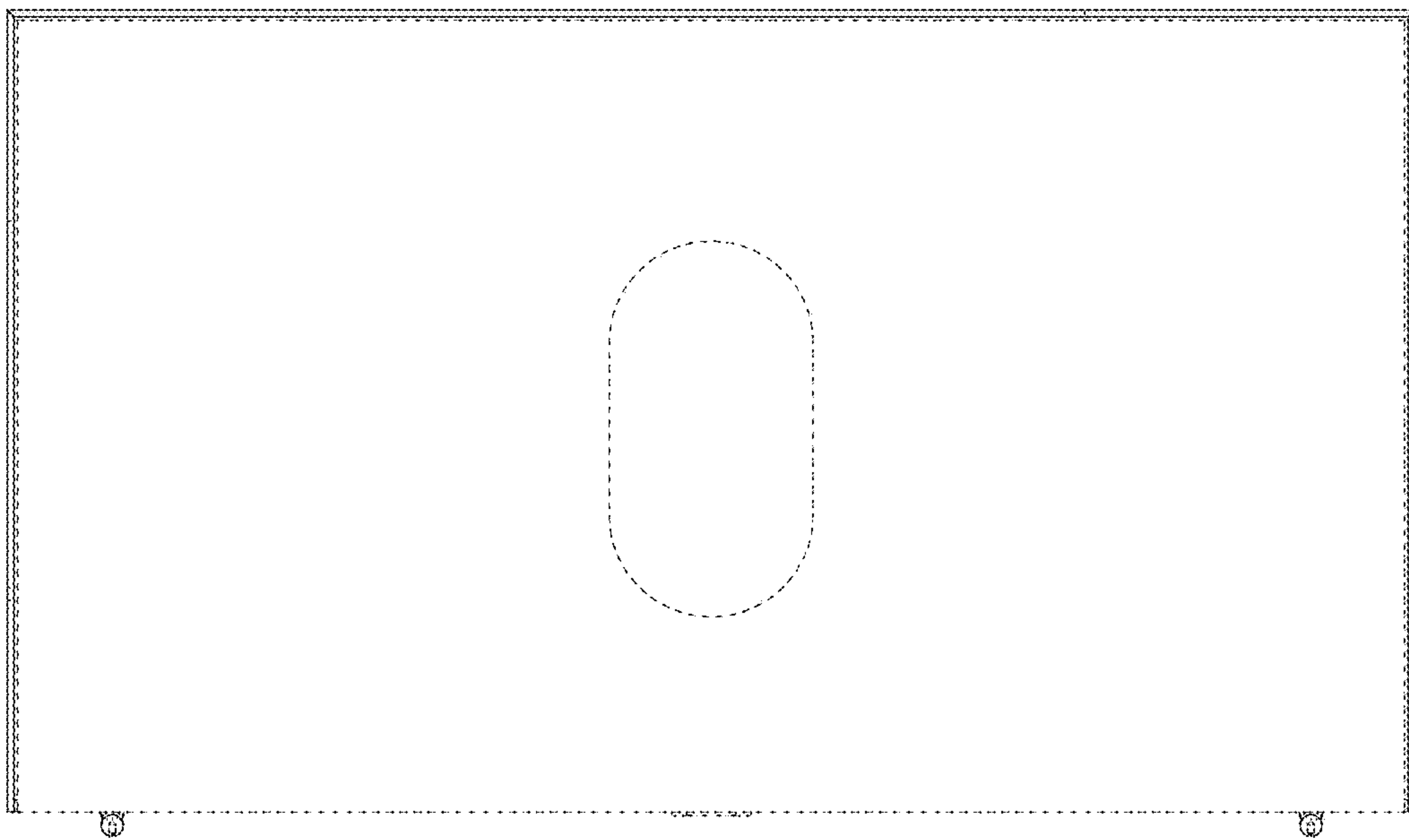


FIG. 4

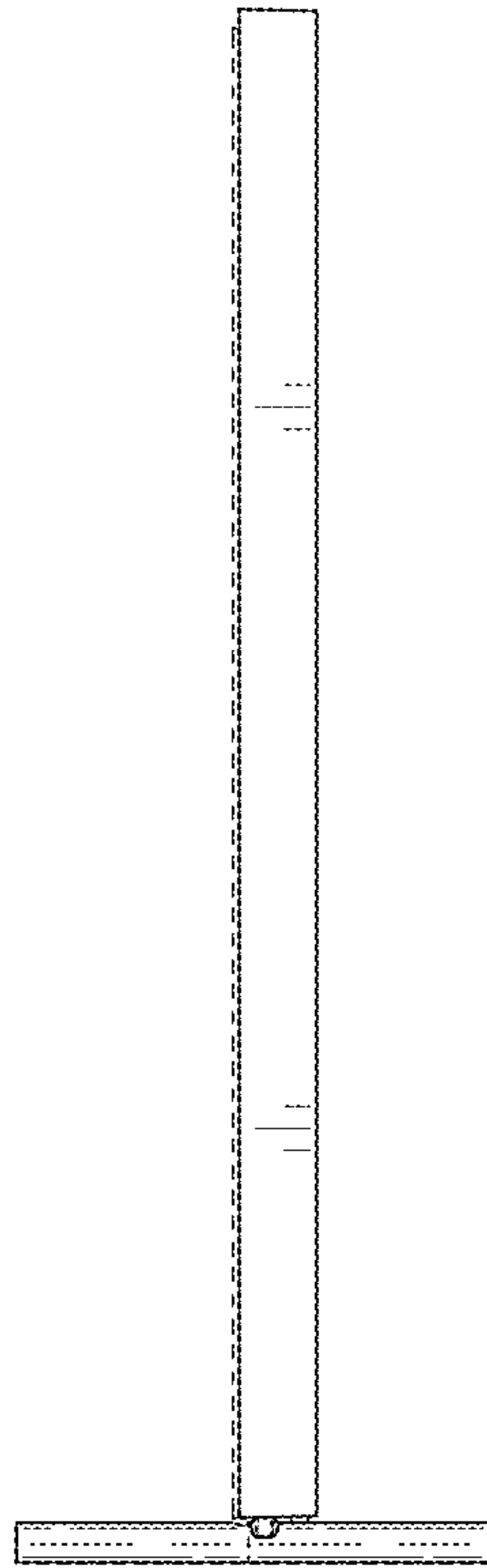


FIG. 5

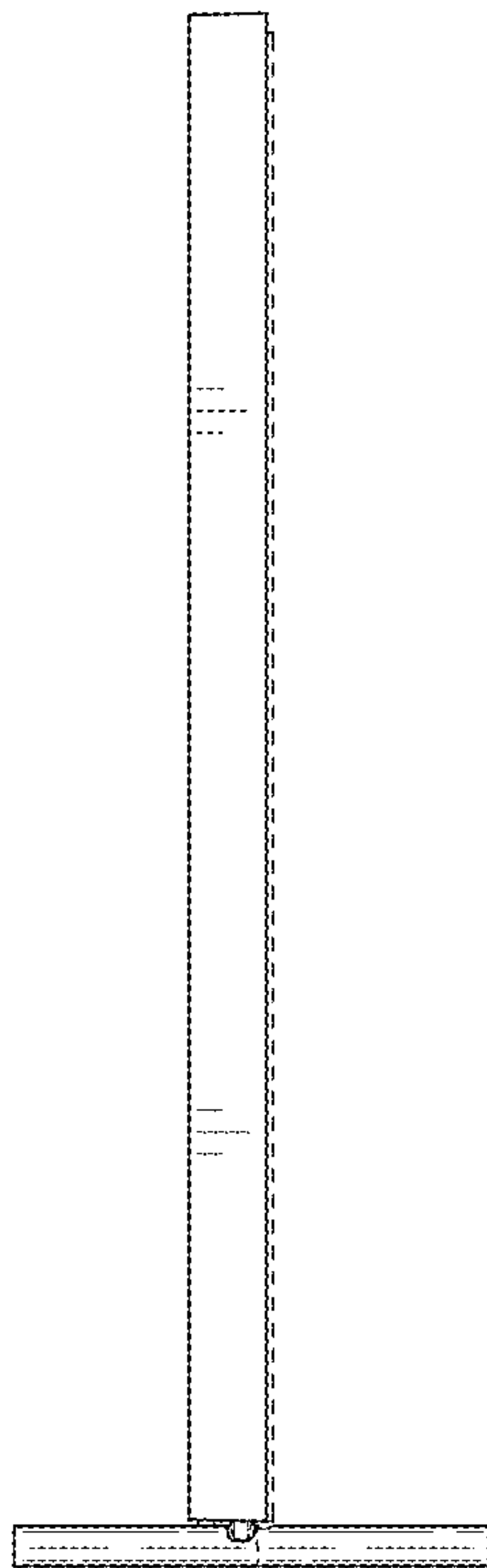


FIG. 6

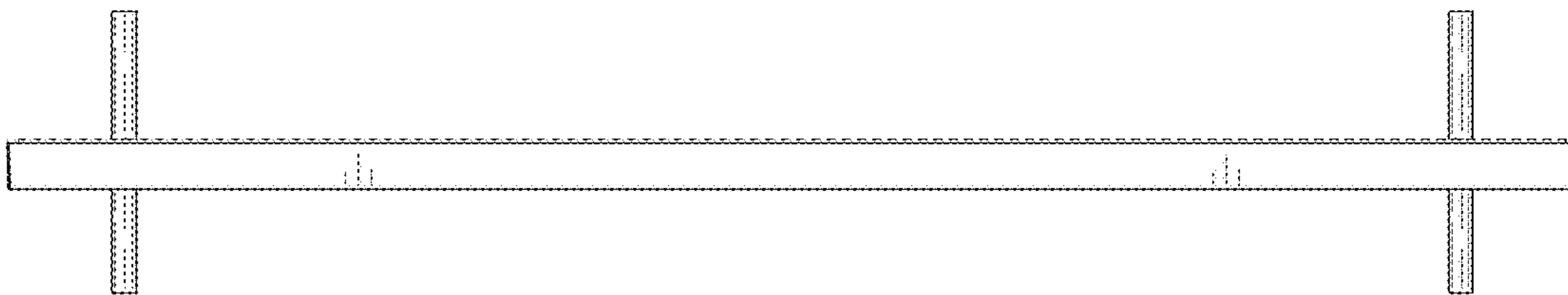


FIG. 7

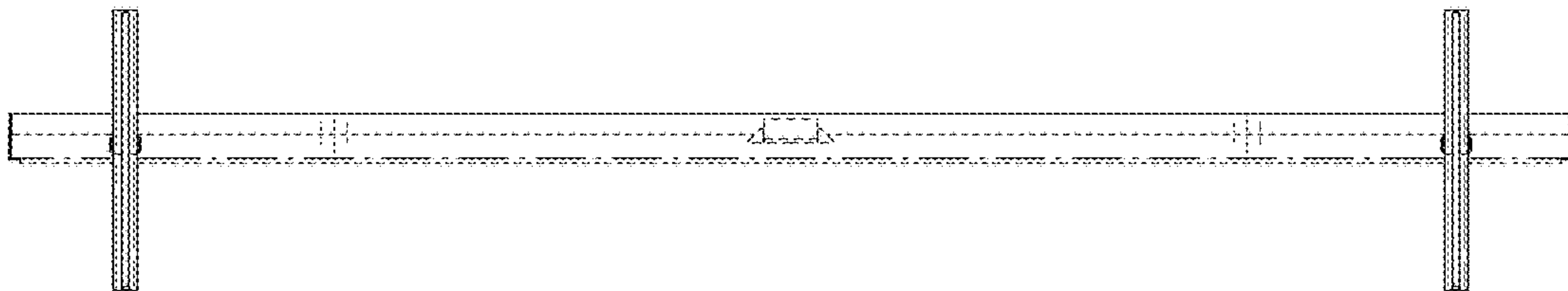


FIG. 8

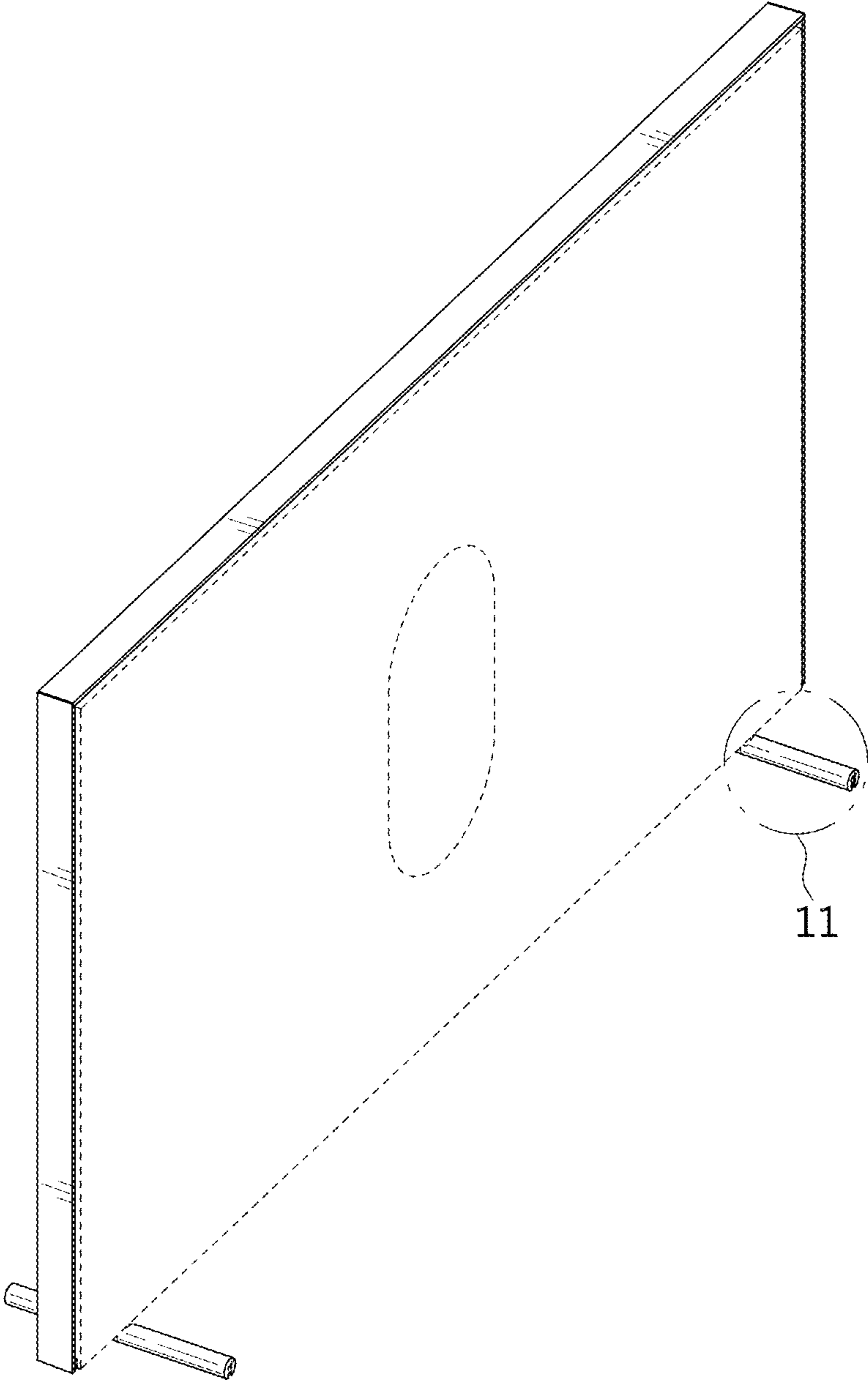


FIG. 9

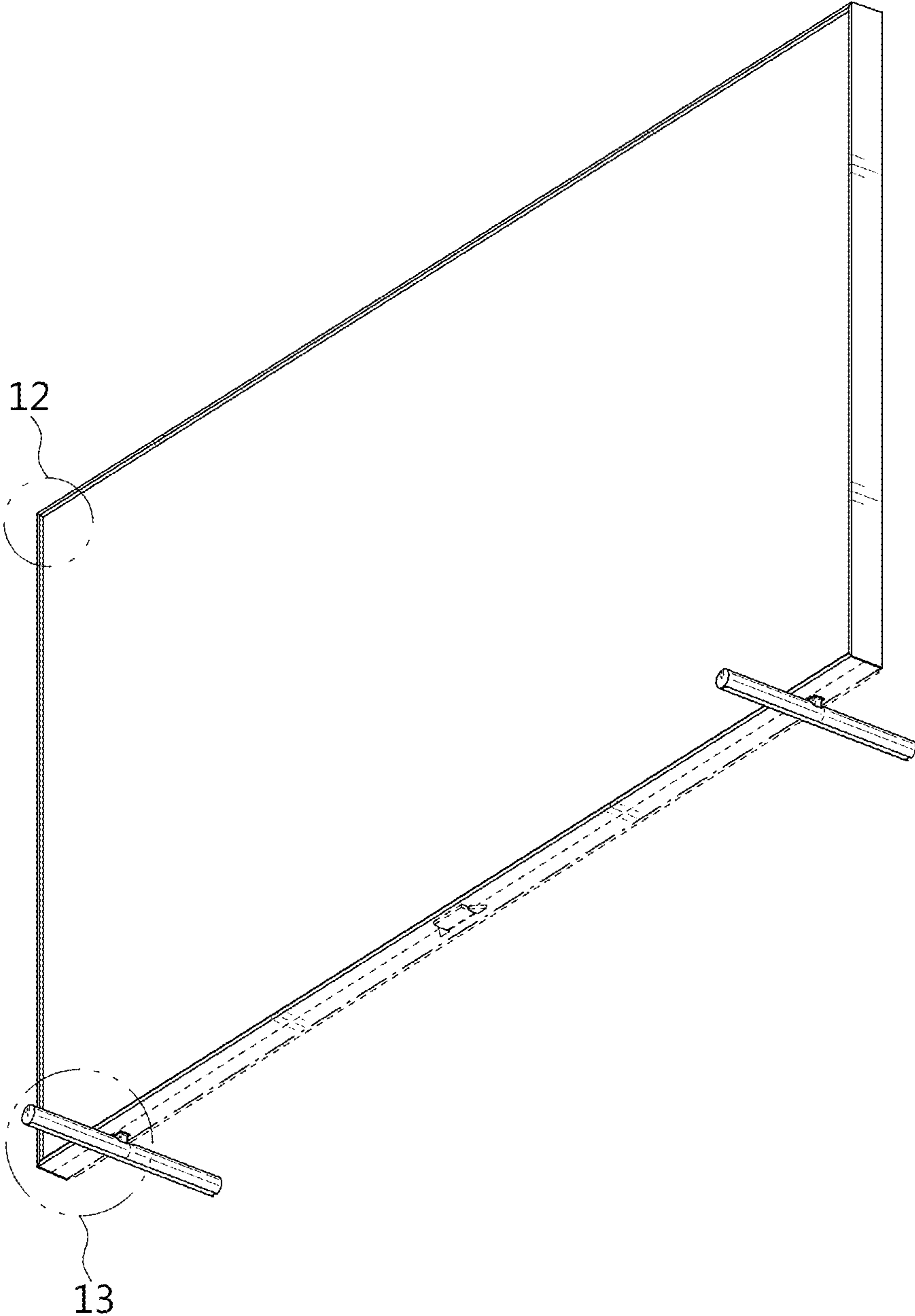


FIG. 10

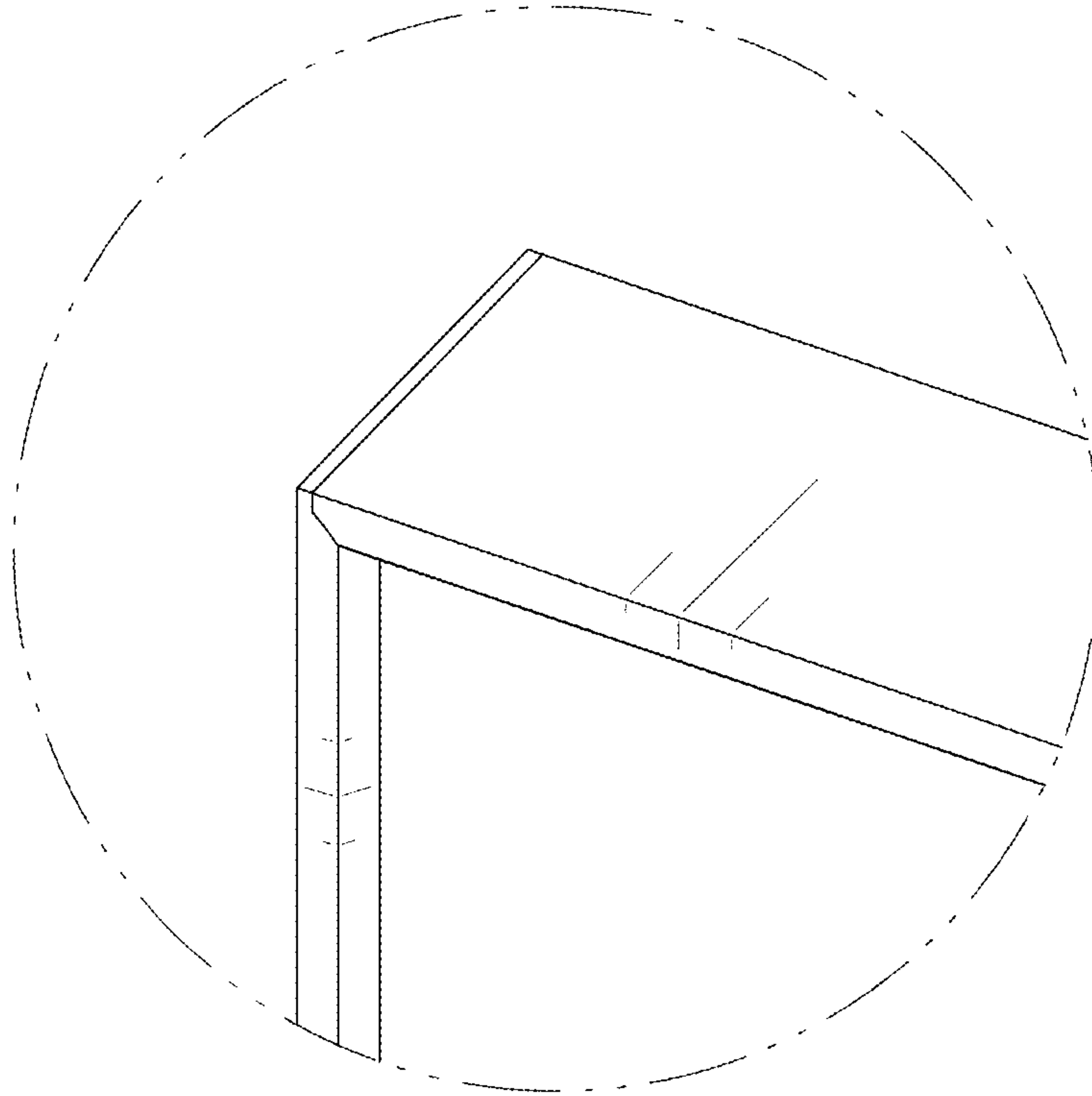


FIG. 11

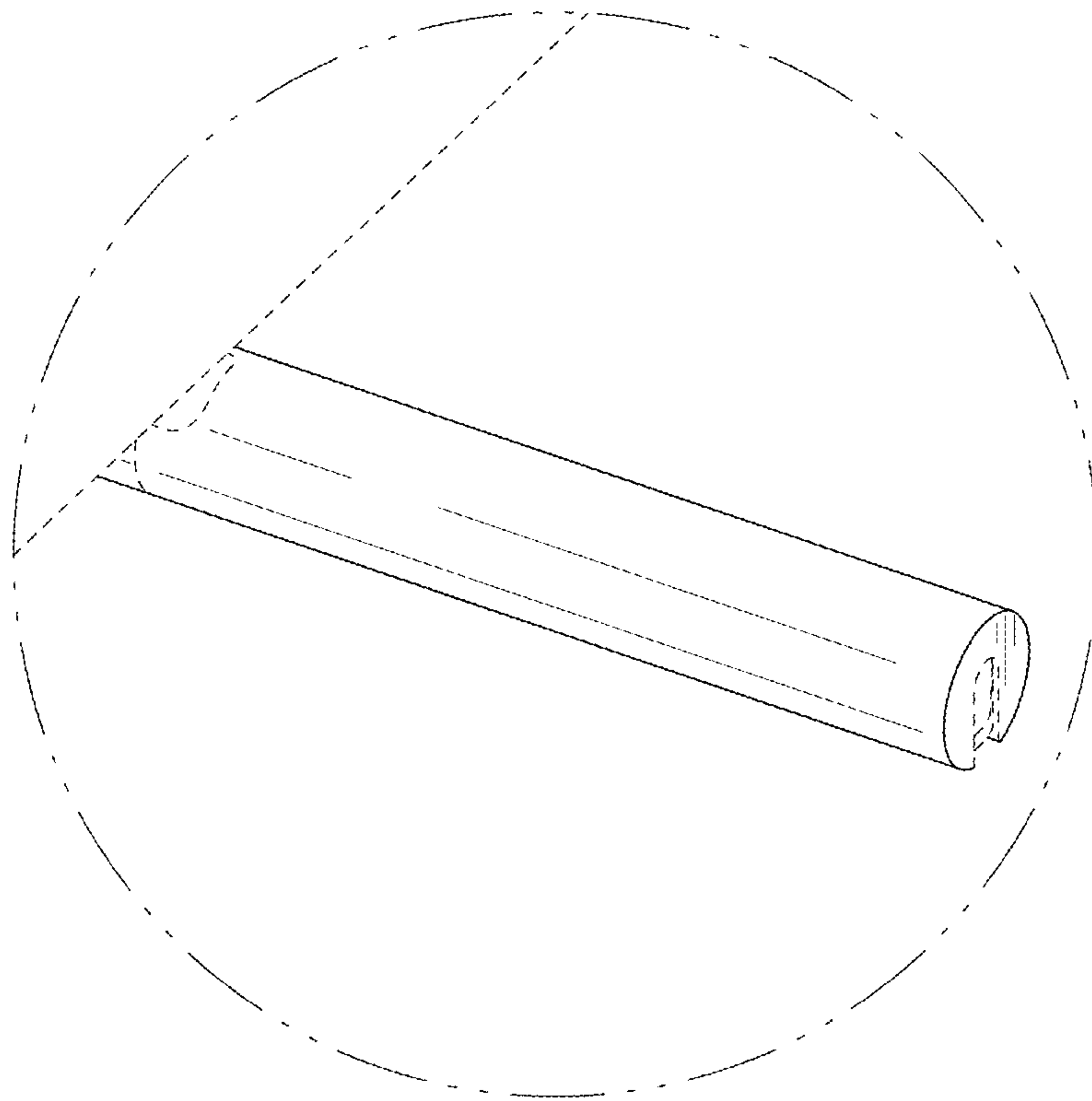


FIG. 12

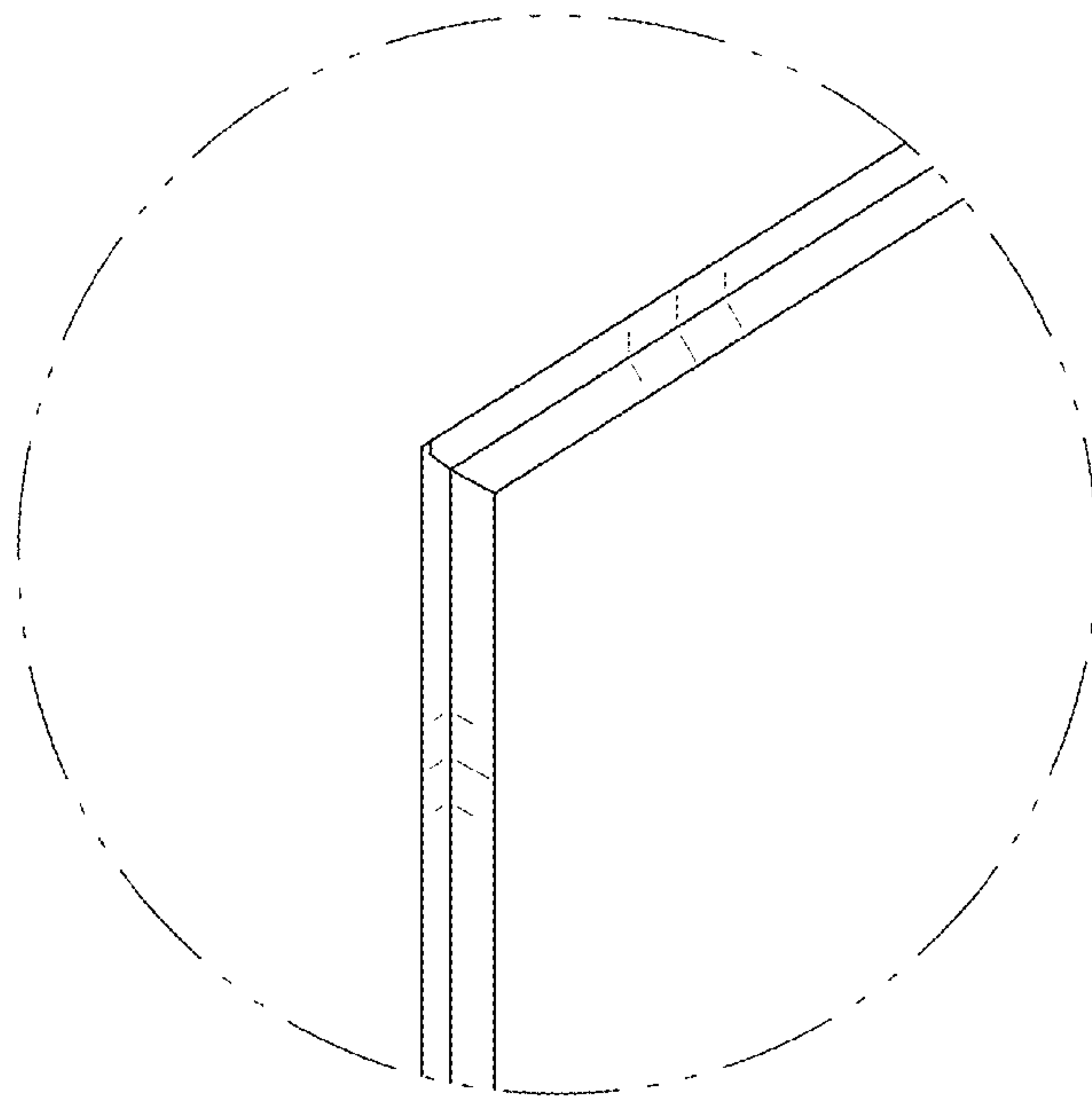


FIG. 13

