



US00D817901S

(12) **United States Design Patent** (10) **Patent No.:** **US D817,901 S**  
**Lee et al.** (45) **Date of Patent:** **\*\* May 15, 2018**

(54) **TELEVISION RECEIVER**

(71) Applicant: **Samsung Electronics Co., Ltd.**,  
Suwon-si (KR)

(72) Inventors: **Kyubok Lee**, Seoul (KR); **Seungho Lee**, Guri-si (KR); **Kwanghyuck So**, Seoul (KR)

(73) Assignee: **SAMSUNG ELECTRONICS CO., LTD.**, Gyeonggi-Do (KR)

(\*\*) Term: **15 Years**

(21) Appl. No.: **29/595,099**

(22) Filed: **Feb. 24, 2017**

(30) **Foreign Application Priority Data**

Aug. 31, 2016 (KR) ..... 30-2016-0042805

(51) **LOC (11) Cl.** ..... **14-03**

(52) **U.S. Cl.**  
USPC ..... **D14/126**

(58) **Field of Classification Search**  
USPC ..... D14/125-134, 239, 371, 136, 374-377, D14/440, 450, 448, 336, 342, 159; 312/7.2; 348/836, 838, 180, 184, 325, 348/739; 248/917-924, 465; 345/104, 345/133, 156, 168, 87, 173; D21/329, D21/515, 577, 622, 333, 433, 448, 452, D21/450, 331, 505; D10/15, 26; 446/484, 175, 356; D6/477, 479, 300; D20/10, 19, 39; D16/203, 241; 160/24  
CPC .... G06F 1/1601; G06F 1/1643; G06F 1/1652; G06F 1/1647; G06F 3/0412; H05K 5/0004; H05K 5/0017; H05K 5/02; H05K 5/0217; H04N 13/0459

See application file for complete search history.

(56) **References Cited**

U.S. PATENT DOCUMENTS

D722,068 S *	2/2015	Jung	.....	D14/447
D725,062 S *	3/2015	Cho	.....	D14/126
D725,616 S *	3/2015	Oh	.....	D14/126
D728,498 S *	5/2015	Park	.....	D14/126
D742,846 S *	11/2015	Kang	.....	D14/126
D750,093 S *	2/2016	Jung	.....	D14/451

\* cited by examiner

*Primary Examiner* — Randall H Gholson

(74) *Attorney, Agent, or Firm* — Cantor Colburn LLP

(57) **CLAIM**

The ornamental design for a television receiver, as shown and described.

**DESCRIPTION**

FIG. 1 is a front perspective view of a television receiver showing our new design;  
FIG. 2 is a front view thereof;  
FIG. 3 is a rear view thereof;  
FIG. 4 is a left side view thereof;  
FIG. 5 is a right side view thereof;  
FIG. 6 is a top view thereof;  
FIG. 7 is a bottom view thereof; and,  
FIG. 8 is a rear perspective view thereof.

The short dash-dash lines that are immediately adjacent the shaded areas and define unshaded regions represent the bounds of the claim and are not included in the claim. All other short dash-dash broken lines are directed to environment and are for illustrative purposes only. All of the broken lines throughout the views form no part of the claimed design.

**1 Claim, 8 Drawing Sheets**

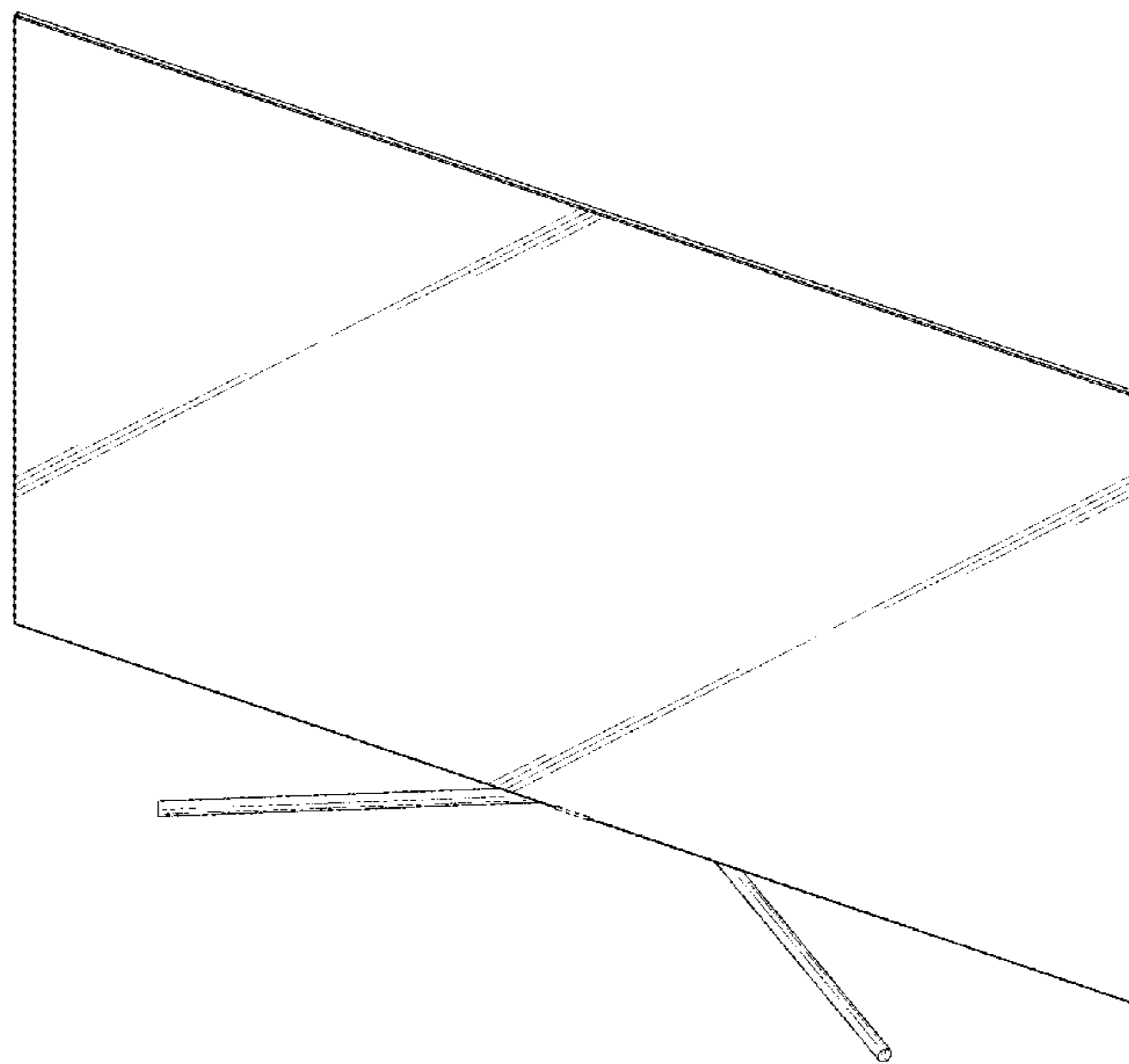


FIG. 1

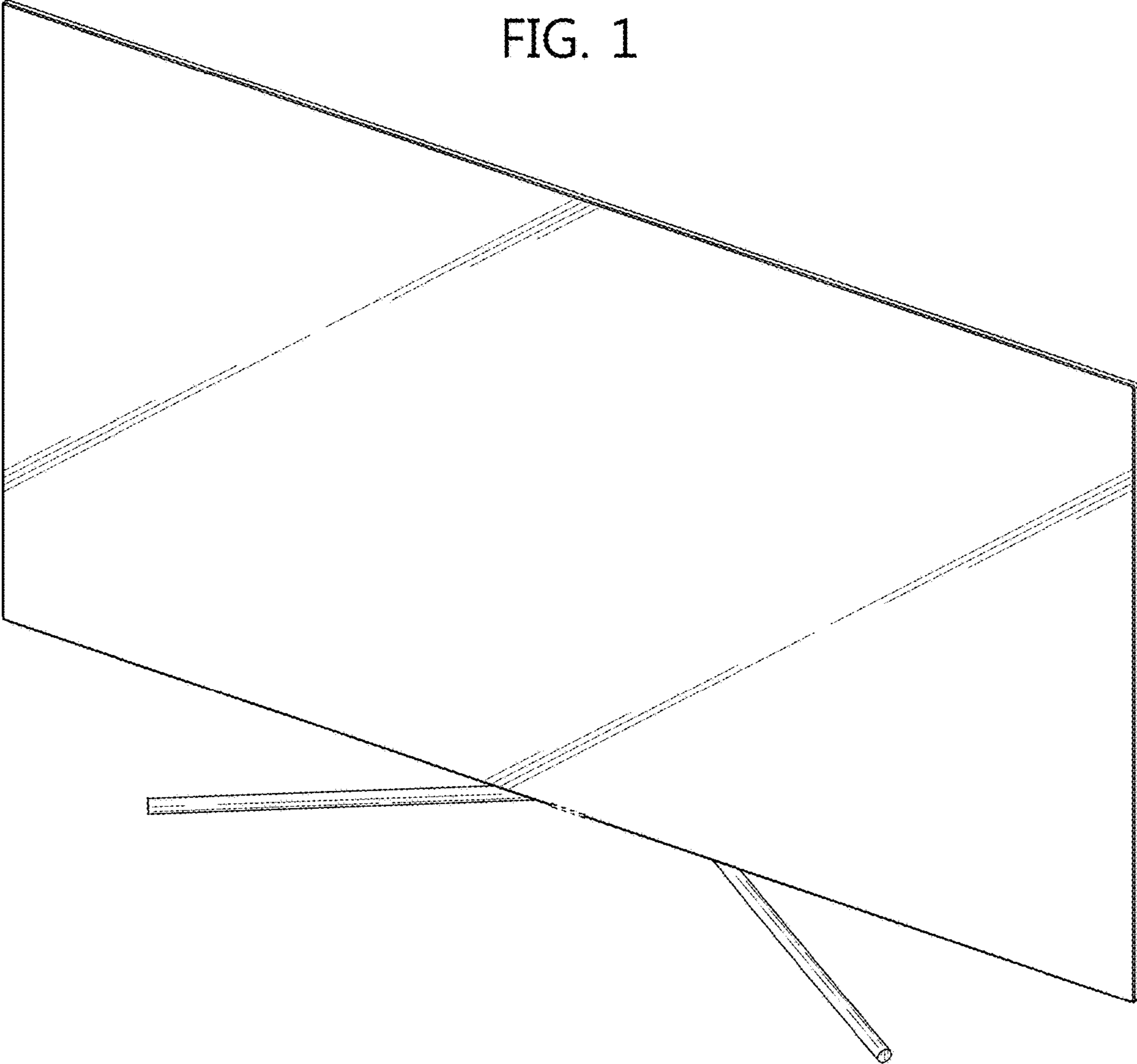


FIG. 2

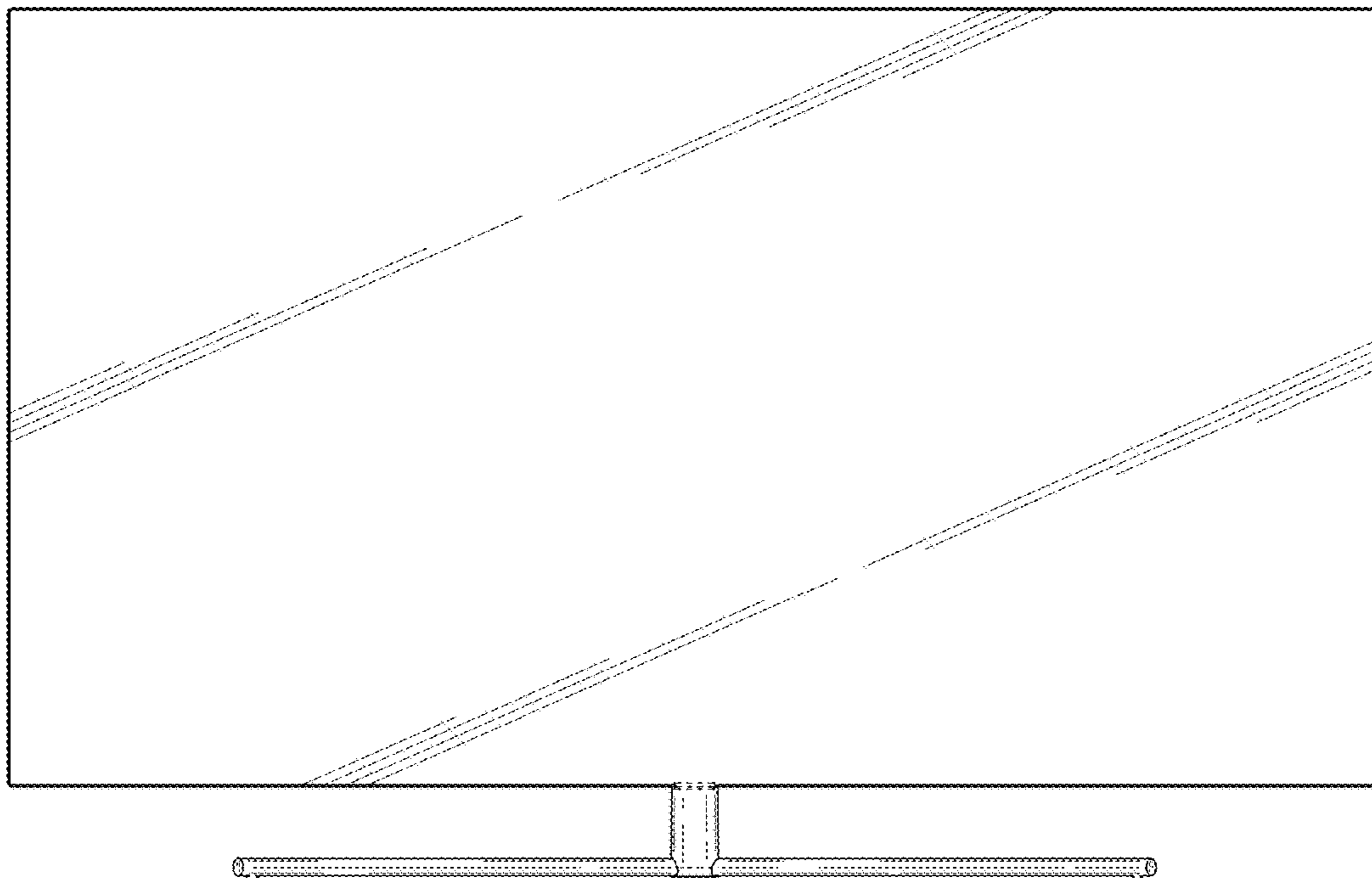


FIG. 3

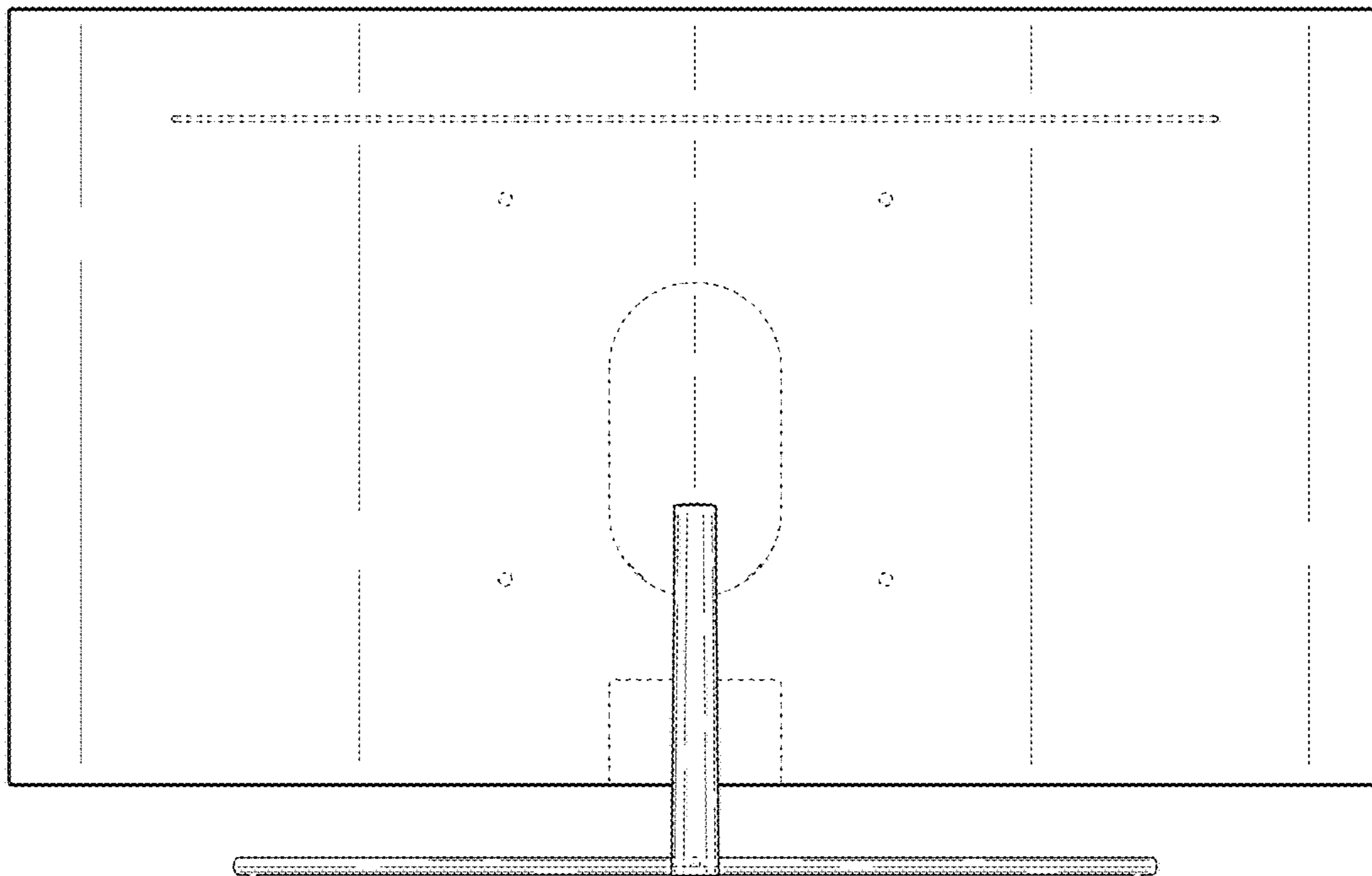


FIG. 4

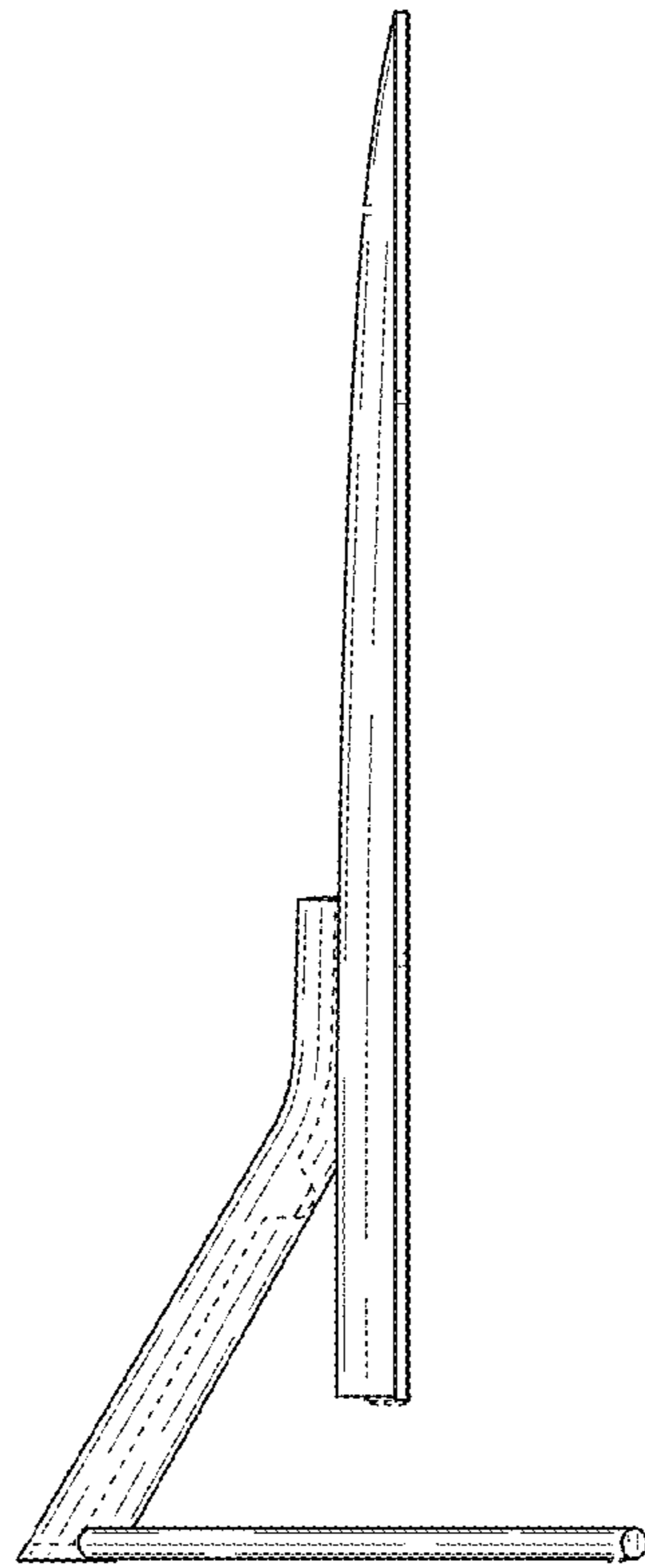


FIG. 5

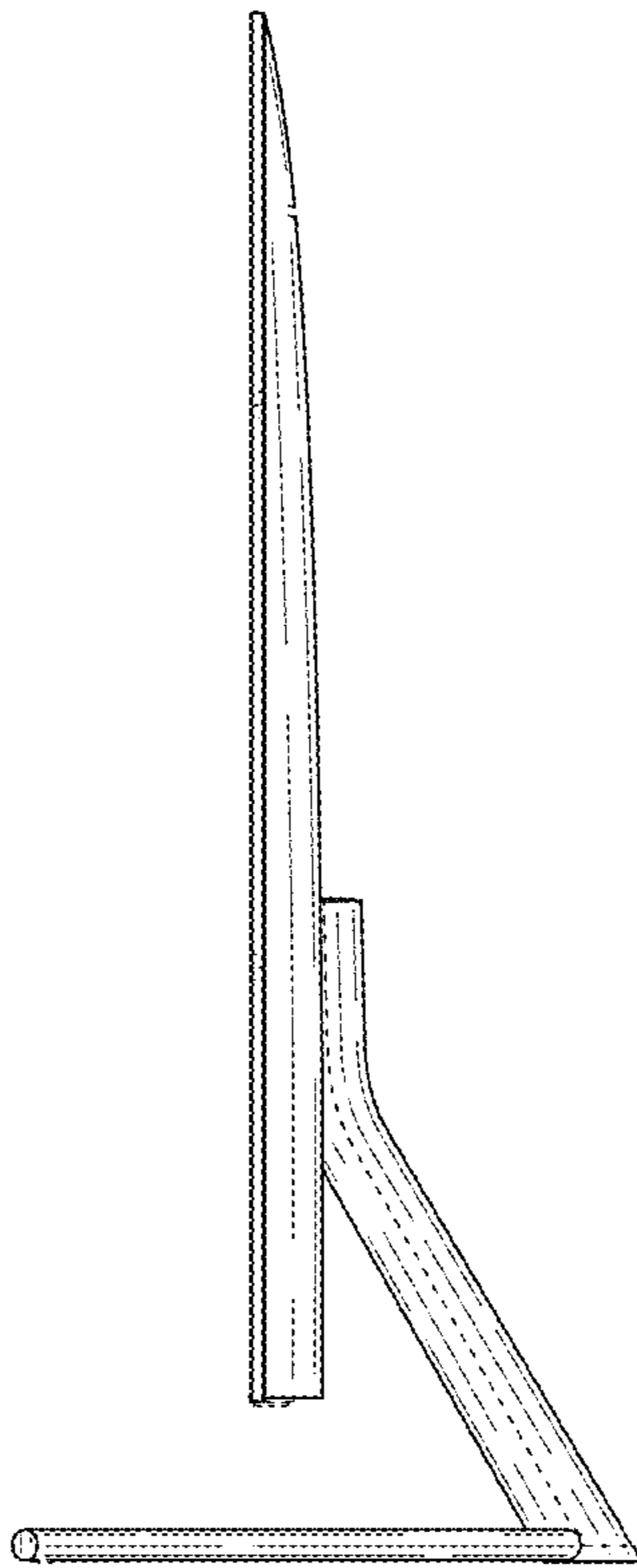


FIG. 6

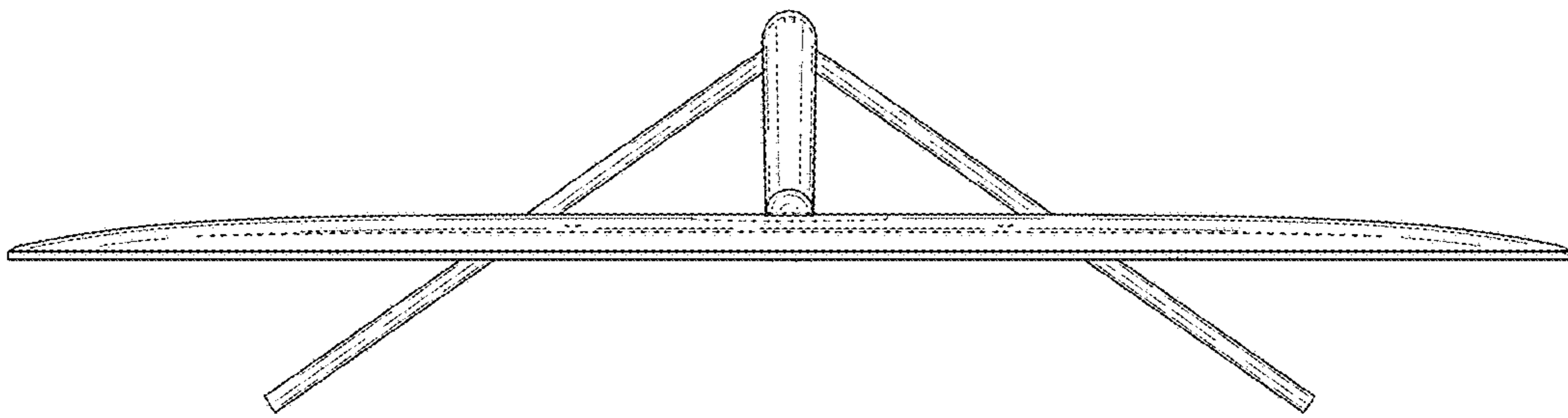


FIG. 7

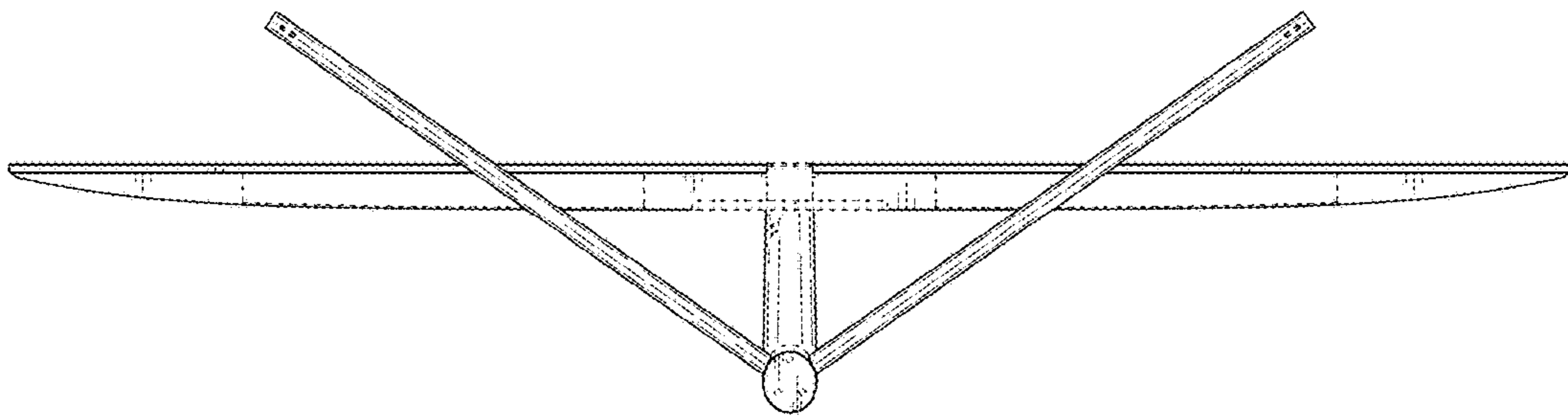




FIG. 8

