



US00D817900S

(12) **United States Design Patent** (10) **Patent No.:** **US D817,900 S**
So et al. (45) **Date of Patent:** **** May 15, 2018**

(54) **TELEVISION RECEIVER**

(71) Applicant: **SAMSUNG ELECTRONICS CO., LTD.**, Suwon-si, Gyeonggi-do (KR)
 (72) Inventors: **Kwanghyuck So**, Seoul (KR); **Seungho Lee**, Guri-si (KR); **Kyubok Lee**, Seoul (KR)
 (73) Assignee: **SAMSUNG ELECTRONICS CO., LTD.**, Gyeonggi-Do (KR)

(**) Term: **15 Years**
 (21) Appl. No.: **29/595,068**
 (22) Filed: **Feb. 24, 2017**

(30) **Foreign Application Priority Data**

Aug. 31, 2016 (KR) 30-2016-0042807

(51) **LOC (11) Cl.** **14-03**

(52) **U.S. Cl.**
USPC **D14/126**

(58) **Field of Classification Search**
 USPC D14/125-134, 239, 371, 136, 374-377, D14/440, 450, 448, 336, 342, 159; 312/7.2; 348/836, 838, 180, 184, 325, 348/739; 248/917-924, 465; 345/104, 345/133, 156, 168, 87, 173; D21/329, D21/515, 577, 622, 333, 433, 448, 452, D21/450, 331, 505; D10/15, 26; 446/484, 175, 356; D6/477, 479, 300; D20/10, 19, 39; D16/203, 241; 160/24
 CPC G06F 1/1601; G06F 1/1643; G06F 1/1652; G06F 1/1647; G06F 3/0412; H05K 5/0004; H05K 5/0017; H05K 5/02; H05K 5/0217; H04N 13/0459

See application file for complete search history.

(56) **References Cited**

U.S. PATENT DOCUMENTS

D773,418 S * 12/2016 Won D14/126
 D774,482 S * 12/2016 Hong D14/126

* cited by examiner

Primary Examiner — Randall H Gholson
 (74) *Attorney, Agent, or Firm* — Cantor Colburn LLP

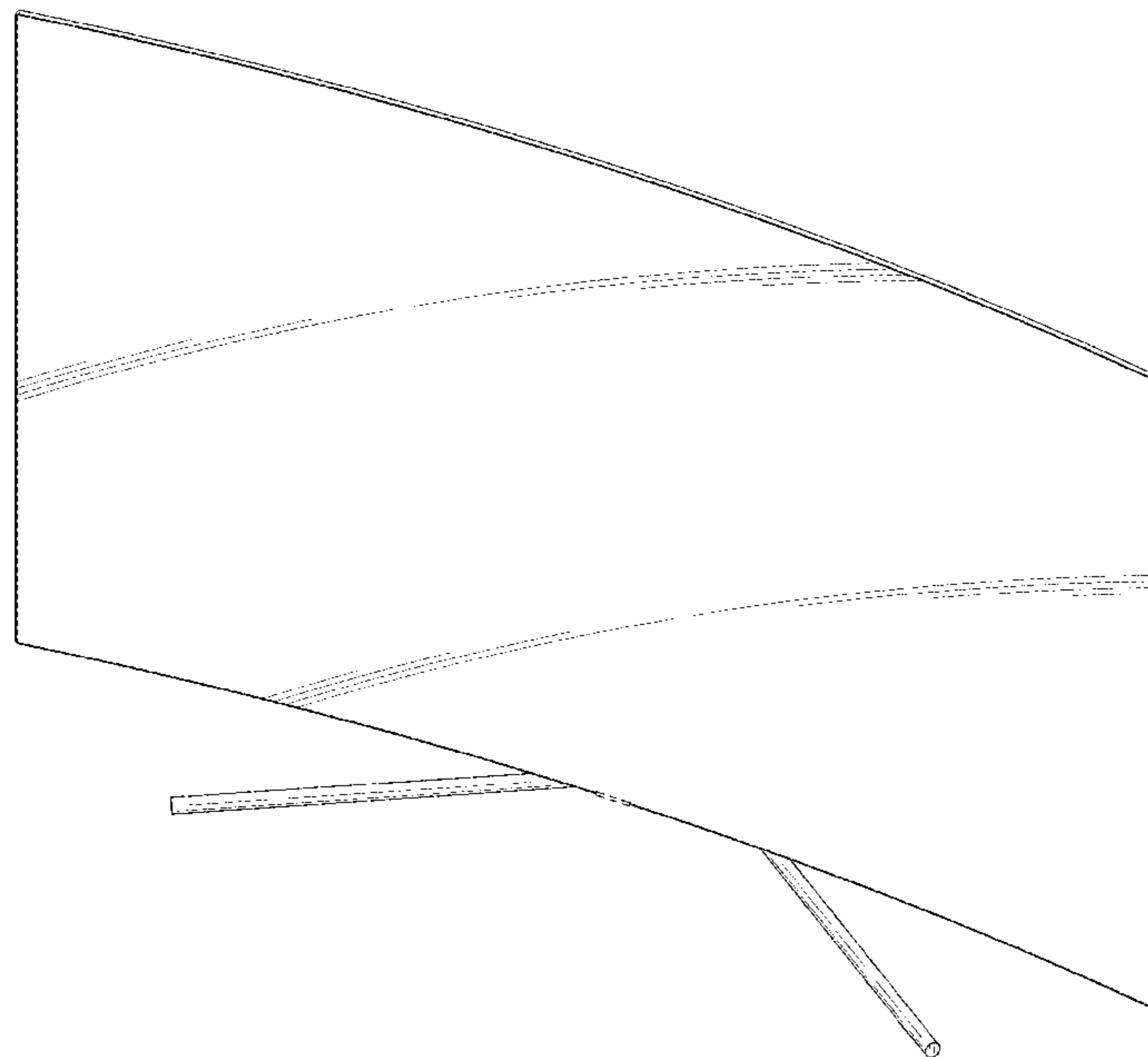
(57) **CLAIM**

The ornamental design for a television receiver, as shown and described.

DESCRIPTION

FIG. 1 is a front perspective view of a television receiver, showing our new design;
 FIG. 2 is a front view thereof;
 FIG. 3 is a rear view thereof;
 FIG. 4 is a left side view thereof;
 FIG. 5 is a right side view thereof;
 FIG. 6 is a top view thereof;
 FIG. 7 is a bottom view thereof; and,
 FIG. 8 is a rear perspective view thereof.
 The short dash-dash lines that are immediately adjacent the shaded areas and define unshaded regions represent the bounds of the claim and are not included in the claim. All other short dash-dash broken lines are directed to environment and are for illustrative purposes only. All of the broken lines throughout the views form no part of the claimed design.

1 Claim, 8 Drawing Sheets



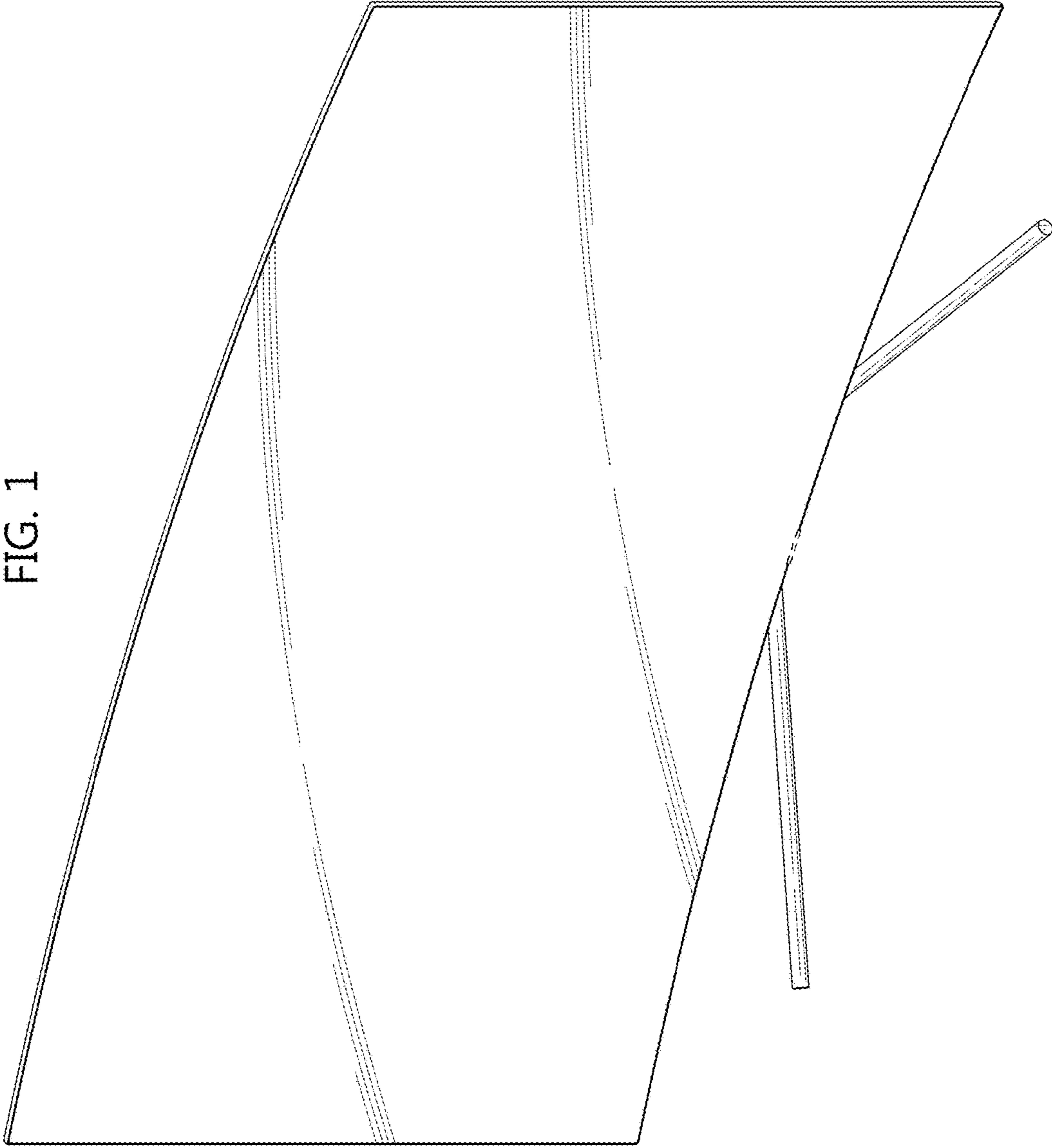


FIG. 1

FIG. 2

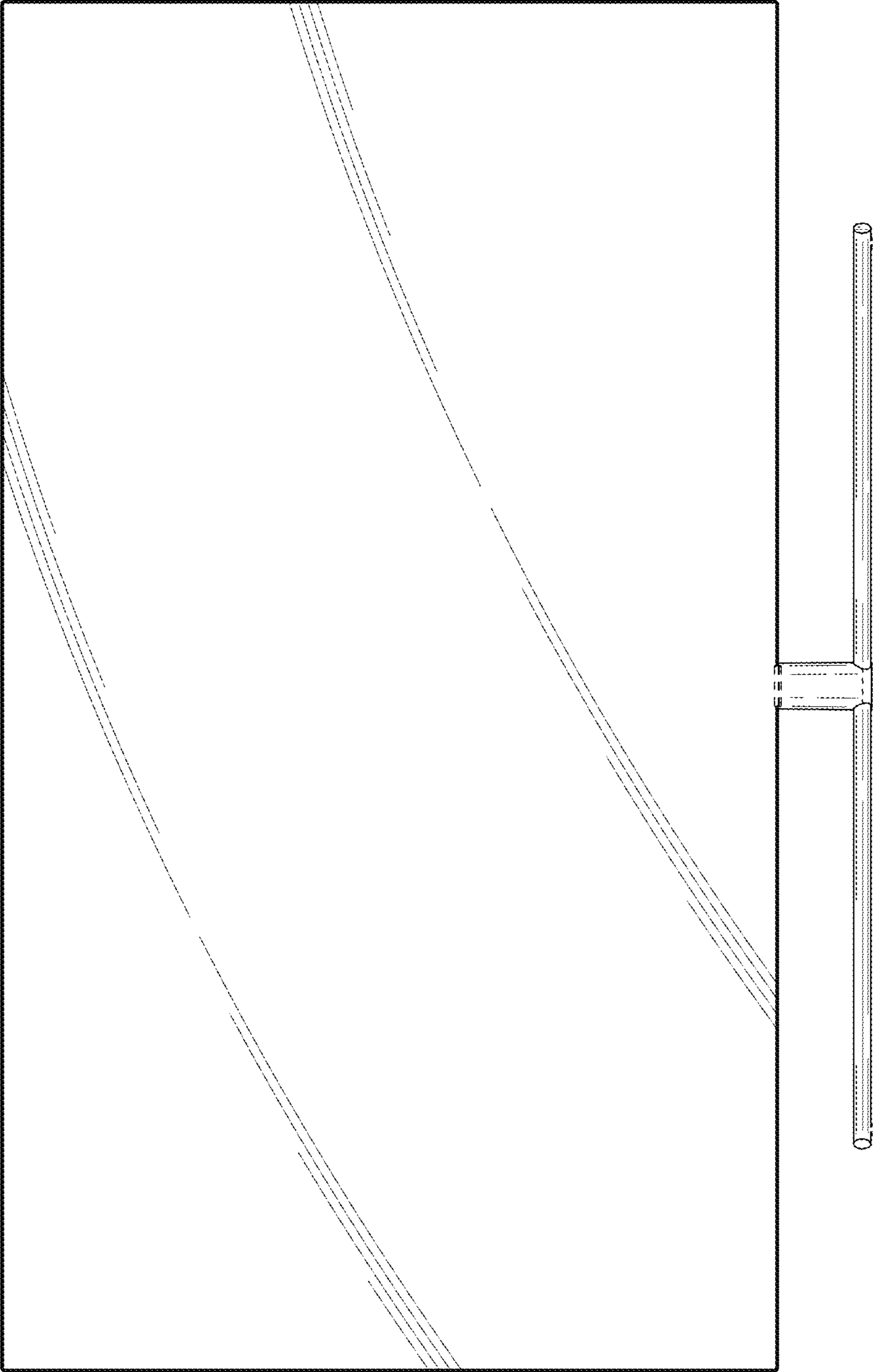


FIG. 3

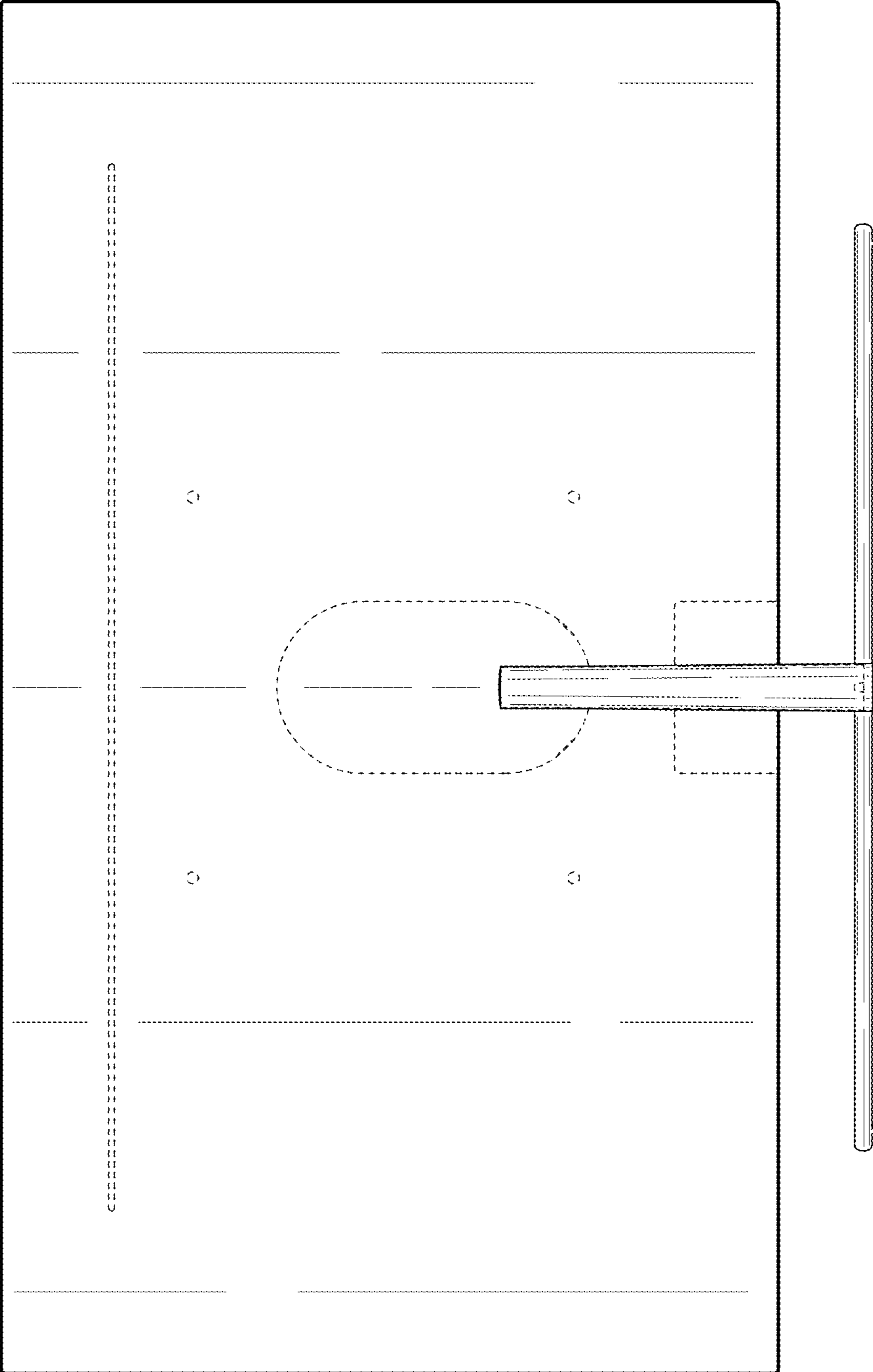


FIG. 4

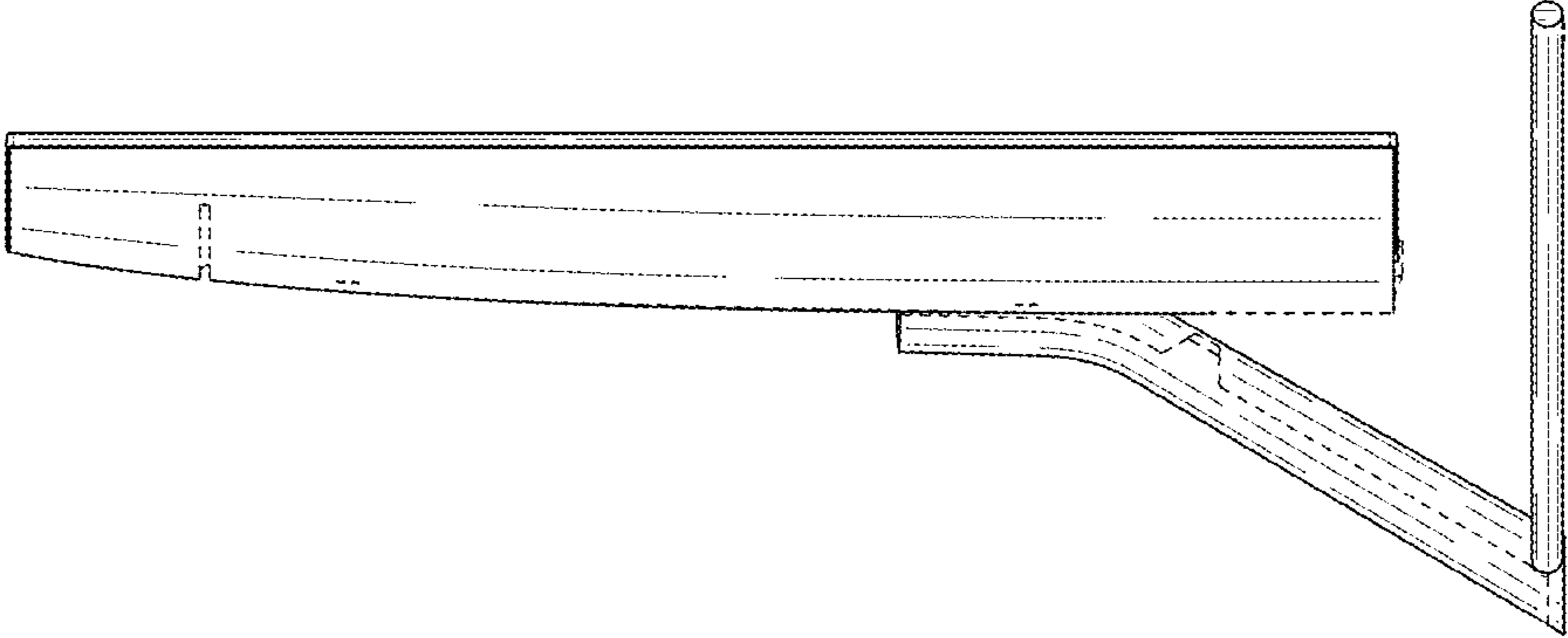


FIG. 5

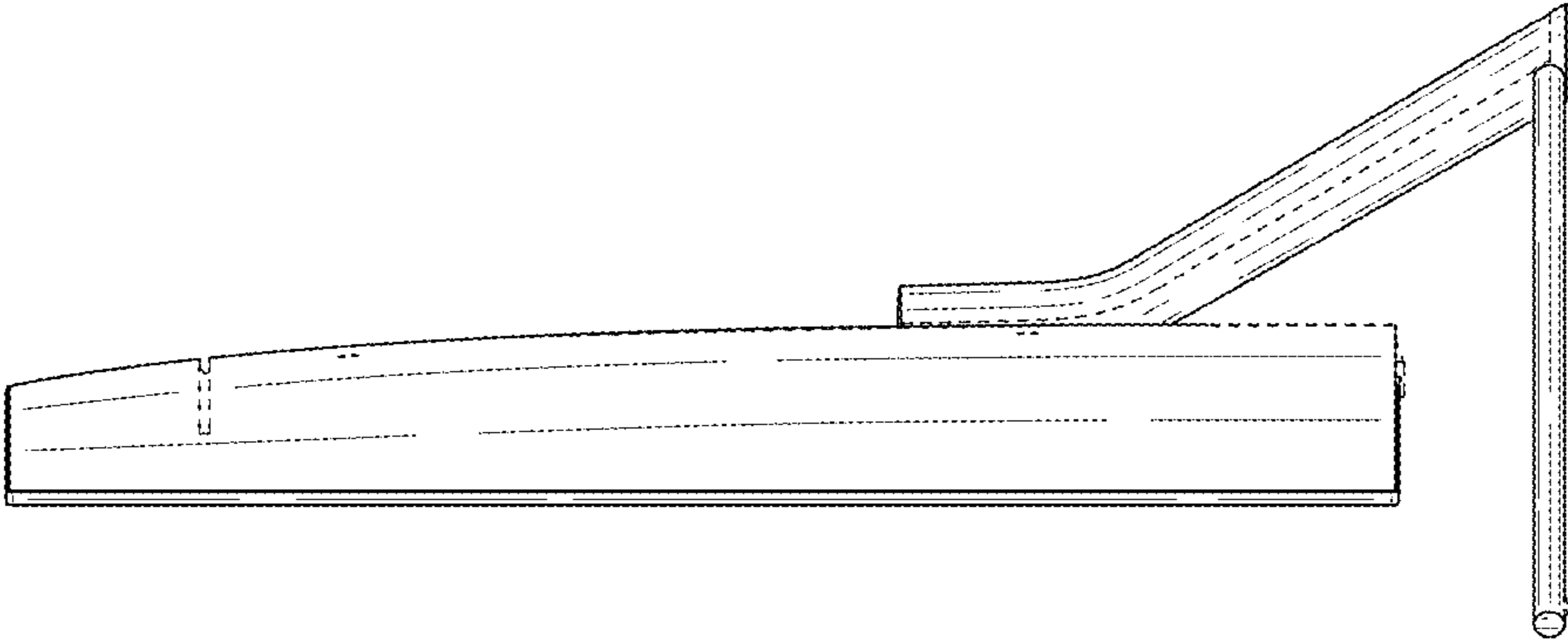


FIG. 6

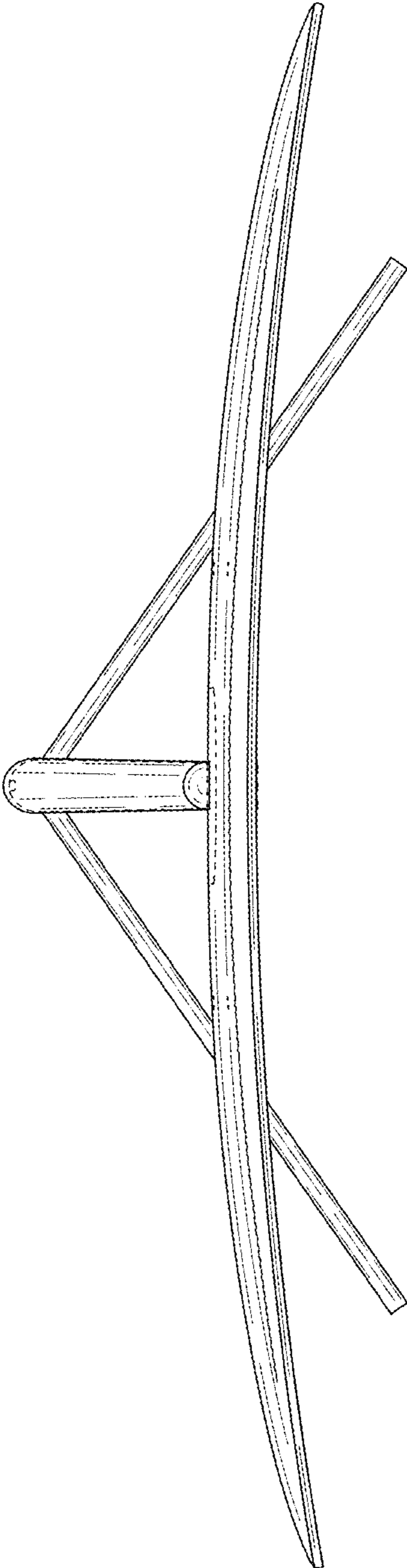


FIG. 7

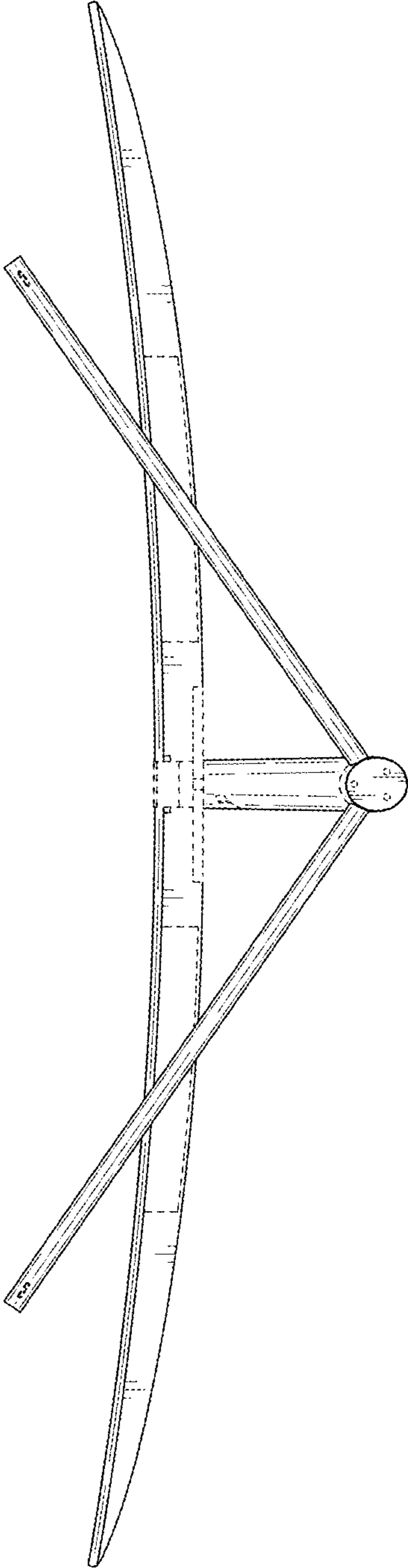


FIG. 8

