



US00D817898S

(12) **United States Design Patent**  
**Seidl et al.**

(10) **Patent No.:** **US D817,898 S**

(45) **Date of Patent:** **\*\* May 15, 2018**

(54) **SWITCH**

(71) Applicant: **Raffel Systems, LLC**, Germantown, WI (US)

(72) Inventors: **Kenneth G. Seidl**, Port Washington, WI (US); **Paul Li**, Milwaukee, WI (US); **Douglas A. Dorn**, Brookfield, WI (US)

(73) Assignee: **Raffel Systems, LLC**, Germantown, WI (US)

(\*\*) Term: **15 Years**

(21) Appl. No.: **29/592,601**

(22) Filed: **Jan. 31, 2017**

(51) **LOC (11) Cl.** ..... **13-03**

(52) **U.S. Cl.**  
USPC ..... **D13/164; D13/171**

(58) **Field of Classification Search**  
USPC ..... D13/162, 164, 171, 173, 174  
CPC ..... H01H 3/02; H01H 3/022; H01H 3/12;  
H01H 3/122; H01H 9/02; H01H 9/0235;  
H01H 13/023; H01H 13/04; H01H 13/06;  
H01H 13/063; H01H 13/10; H01H 13/12;  
H01H 13/14; H01H 13/36; H01H 13/70;  
H01H 13/86; H01H 21/24; H01H 25/065;  
A47C 1/0345; A47C 1/035; A47C 7/506

See application file for complete search history.

(56) **References Cited**

**U.S. PATENT DOCUMENTS**

D689,825 S \* 9/2013 Wenji ..... D13/162  
8,884,175 B2 \* 11/2014 Botez ..... H01H 21/18  
200/341

D740,763 S \* 10/2015 Wenji ..... D13/162  
D758,326 S \* 6/2016 Dorn ..... D13/174  
D777,688 S \* 1/2017 Seidl ..... D13/171  
D786,805 S \* 5/2017 Anderson ..... D13/174  
9,640,343 B2 \* 5/2017 Koch ..... H01H 9/0207  
D788,719 S \* 6/2017 Li ..... D13/171  
9,804,632 B2 \* 10/2017 Gassner ..... G05G 1/02  
2011/0198894 A1 \* 8/2011 Hsieh ..... A47C 1/0242  
297/68  
2014/0353134 A1 \* 12/2014 Muller ..... H01H 3/20  
200/5 A

\* cited by examiner

*Primary Examiner* — Selina Sikder

(74) *Attorney, Agent, or Firm* — Casimir Jones S.C.;  
Tyler J. Sisk

(57) **CLAIM**

The ornamental design for a switch, as shown and described.

**DESCRIPTION**

FIG. 1 is a three-quarter perspective view showing our new design of a switch;  
FIG. 2 is a front elevational view thereof, the rear elevational view being identical;  
FIG. 3 is a left side elevational view thereof,  
FIG. 4 is a right side elevational view thereof,  
FIG. 5 is a top plan view thereof; and,  
FIG. 6 is a bottom plan view thereof.  
The broken lines shown in FIGS. 1 through 6 are for the purpose of illustrating environment, and form no part of the claimed design.

**1 Claim, 6 Drawing Sheets**

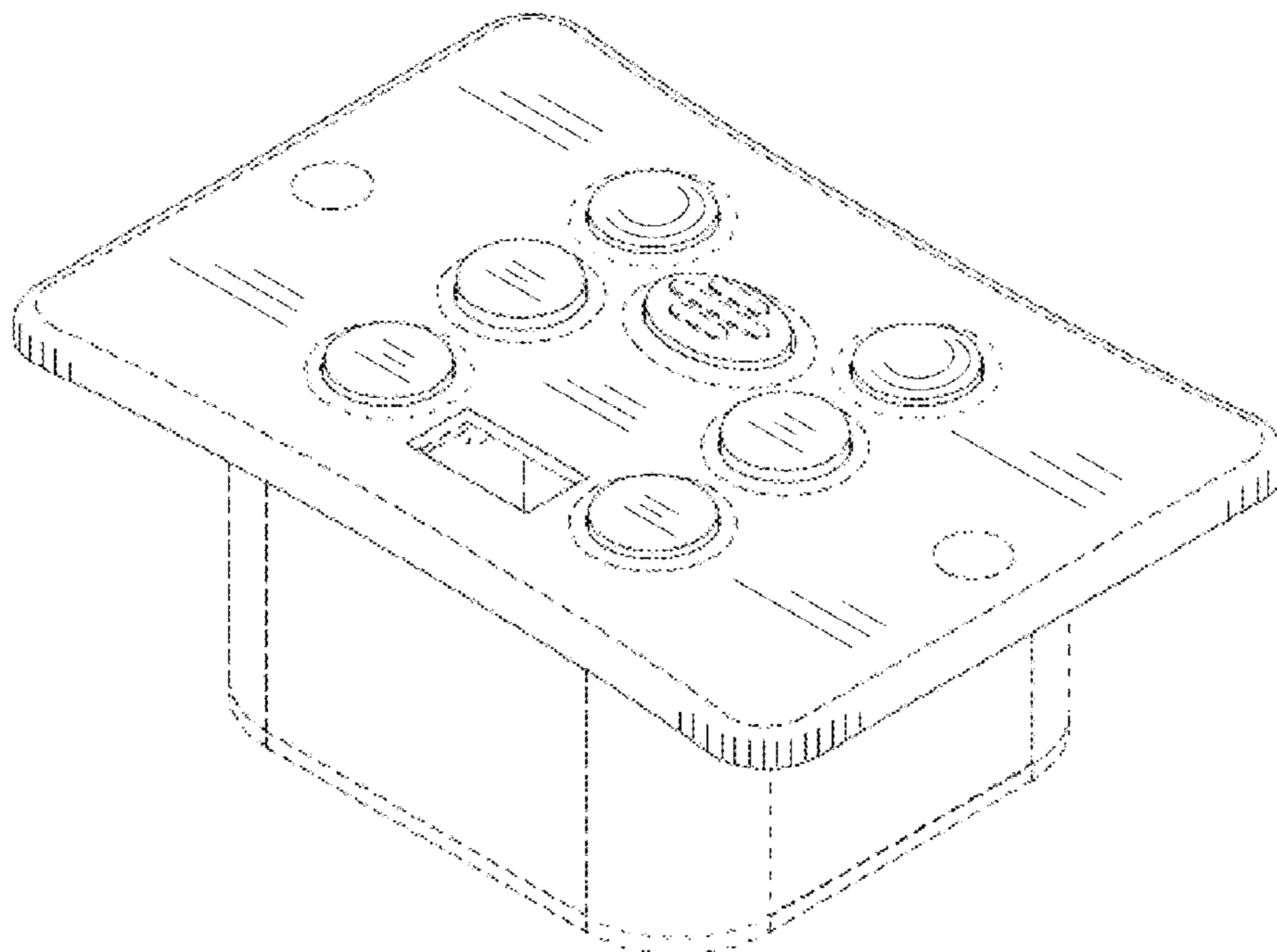


FIG. 1

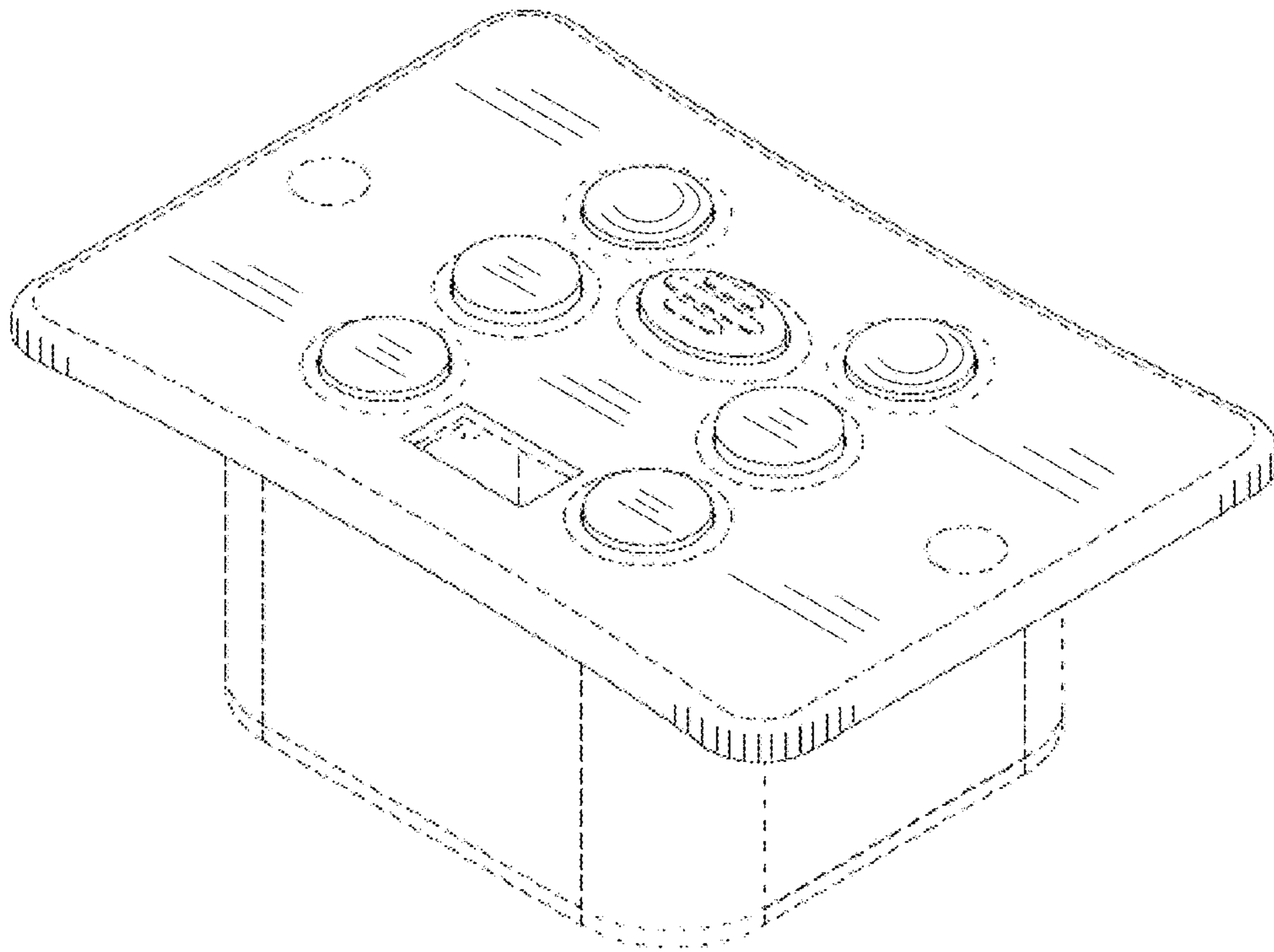


FIG. 2

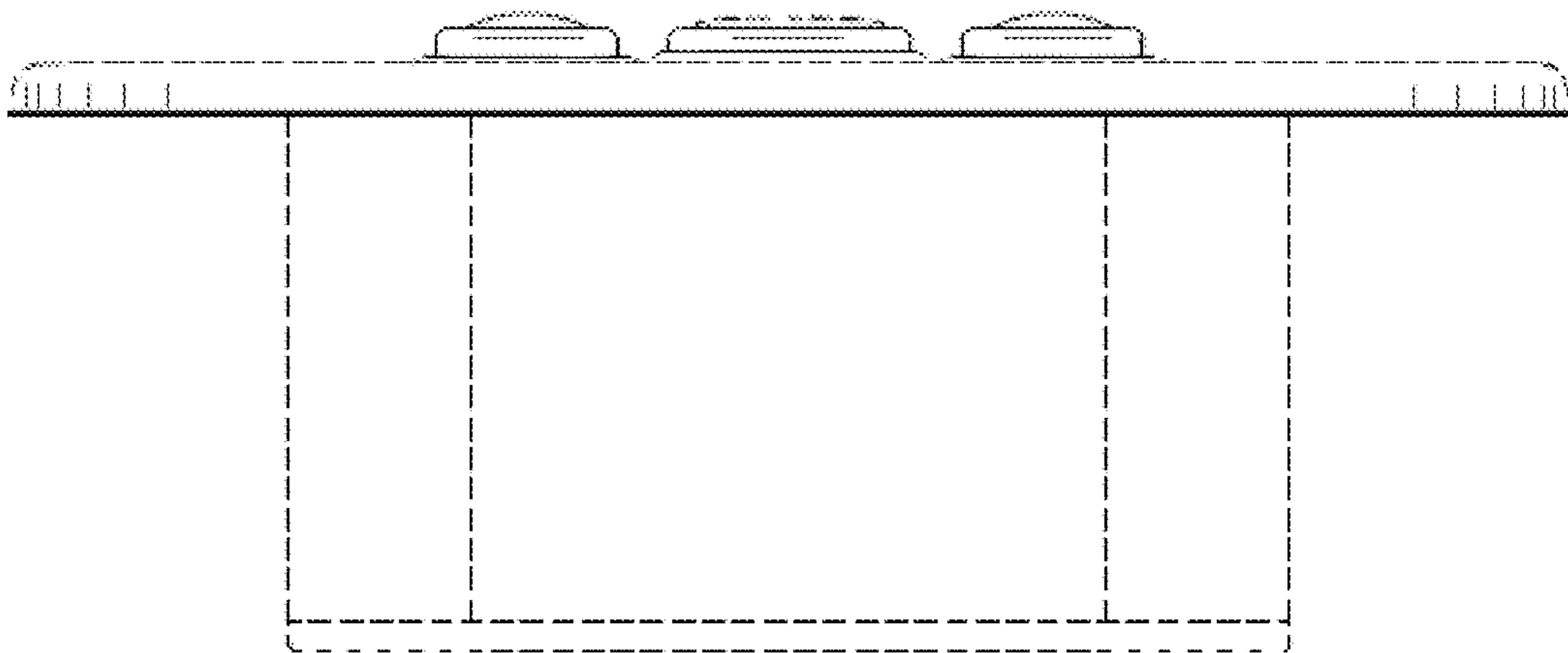


FIG. 3

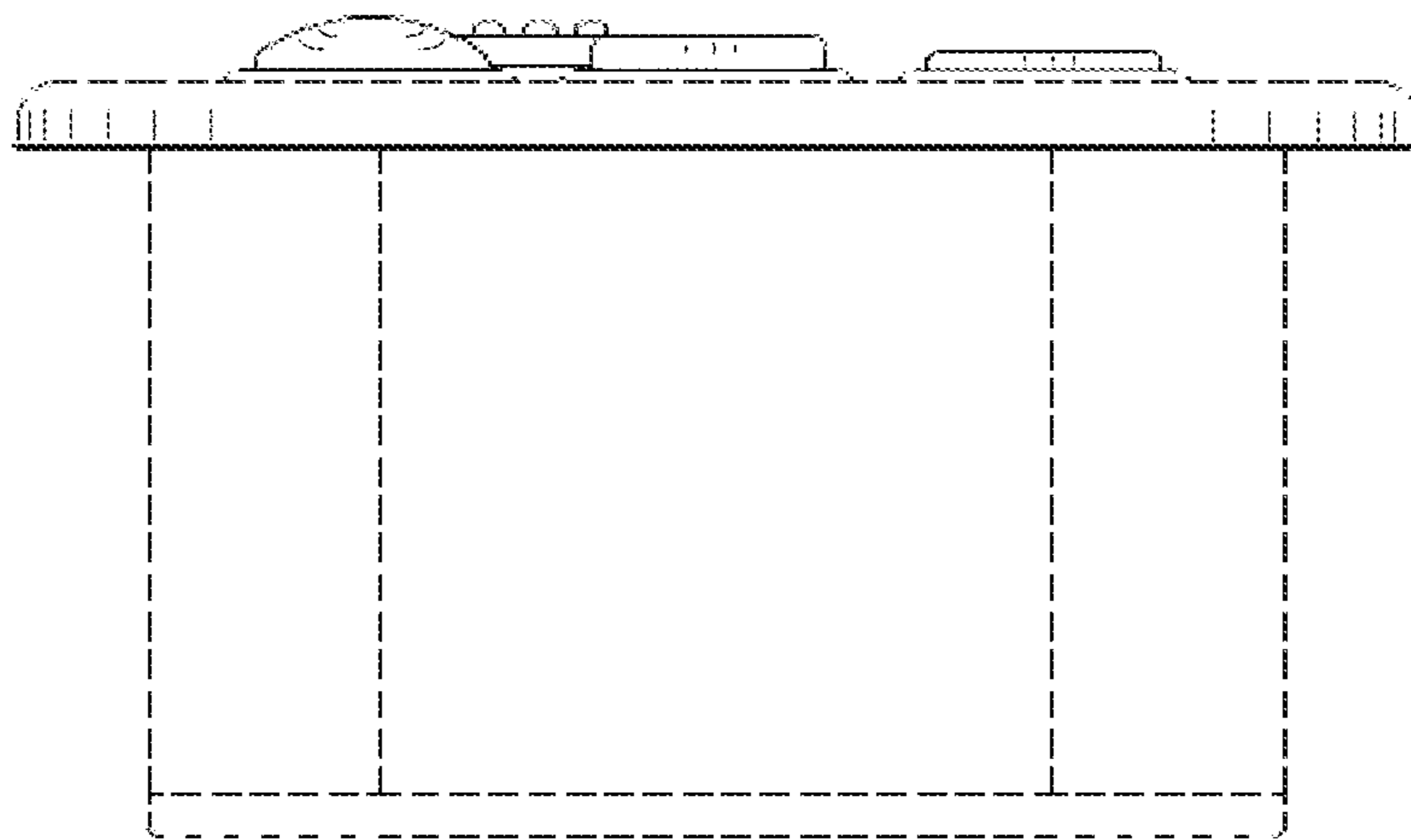


FIG. 4

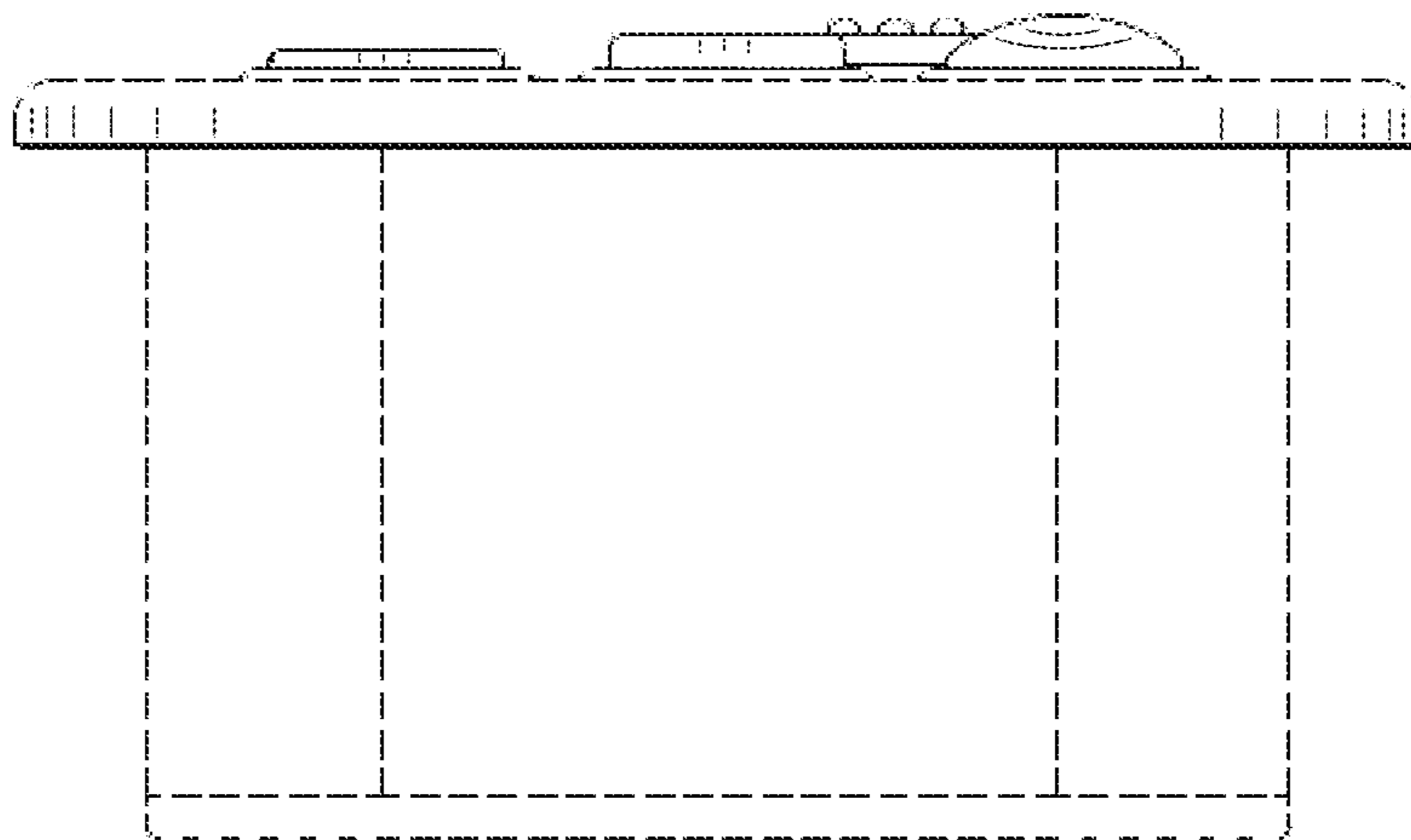


FIG. 5

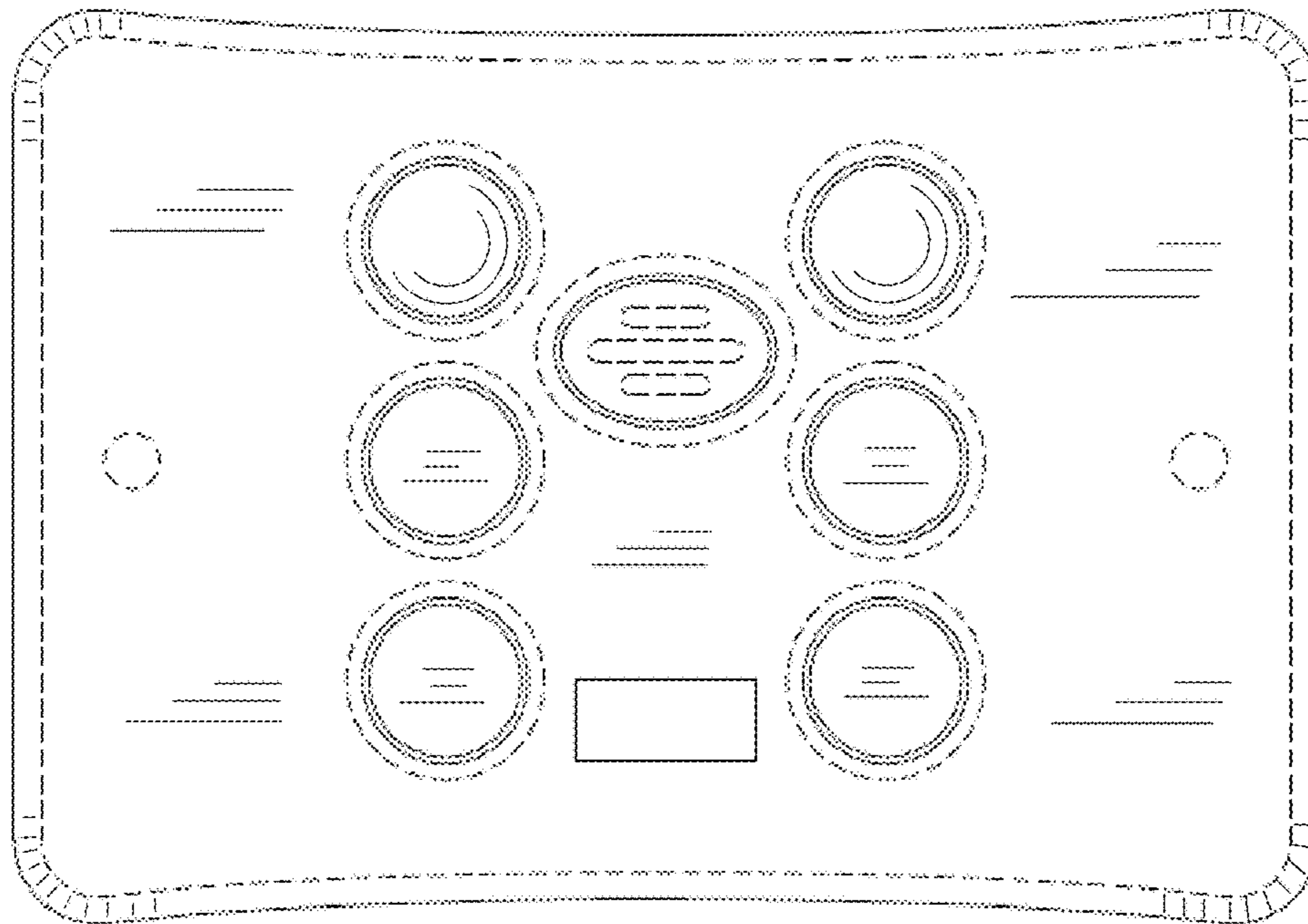


FIG. 6

