



US00D817896S

(12) **United States Design Patent** (10) **Patent No.:** **US D817,896 S**
Otsuka et al. (45) **Date of Patent:** **** May 15, 2018**

(54) **PUSH SWITCH**

(71) Applicant: **OMRON Corporation**, Kyoto-shi, Kyoto (JP)

(72) Inventors: **Hiroyuki Otsuka**, Okayama (JP); **Kazuaki Morita**, Izumo (JP); **Shinya Katsube**, Okayama (JP)

(73) Assignee: **OMRON Corporation**, Kyoto-shi (JP)

(**) Term: **15 Years**

(21) Appl. No.: **29/586,551**

(22) Filed: **Dec. 5, 2016**

(30) **Foreign Application Priority Data**

Jun. 14, 2016 (JP) 2016-012728
Jun. 14, 2016 (JP) 2016-012729

(51) **LOC (11) Cl.** **13-03**

(52) **U.S. Cl.**
USPC **D13/158**

(58) **Field of Classification Search**
USPC D13/158, 162, 171, 173, 184
CPC H01H 1/20; H01H 3/3042; H01H 13/04;
H01H 13/14
See application file for complete search history.

(56) **References Cited**

U.S. PATENT DOCUMENTS

D387,453 S *	12/1997	Protzek	D26/39
D493,907 S *	8/2004	Benensohn	D26/89
D650,760 S *	12/2011	Hussell	D13/180
D658,603 S *	5/2012	Egawa	D13/180
D689,451 S *	9/2013	Shimonishi	D13/180
D724,462 S *	3/2015	Bould	D10/106.2
2011/0315533 A1 *	12/2011	Chu	H01H 13/023 200/345

2012/0048707 A1 *	3/2012	Nakamura	H01H 13/14 200/517
2013/0126322 A1 *	5/2013	Heiskanen	H01H 13/14 200/341
2014/0097073 A1 *	4/2014	Kikuchi	H01H 13/14 200/512
2016/0064158 A1 *	3/2016	Nakase	H01H 13/14 200/275
2016/0064163 A1 *	3/2016	Chu	H01H 13/023 200/314
2016/0111231 A1 *	4/2016	Choi	H01H 13/14 200/344
2017/0133168 A1 *	5/2017	Katsube	H01H 1/221

OTHER PUBLICATIONS

U.S. Appl. No. 29/586,518, filed Dec. 5, 2016; Otsuka et al.

* cited by examiner

Primary Examiner — Selina Sikder
(74) *Attorney, Agent, or Firm* — Sterne, Kessler, Goldstein & Fox P.L.L.C.

(57) **CLAIM**

The ornamental design for a push switch, as shown and described.

DESCRIPTION

FIG. 1 is a perspective view of a push switch showing the claimed design;
FIG. 2 is a front view thereof;
FIG. 3 is a rear view thereof;
FIG. 4 is a left side view thereof;
FIG. 5 is a right side view thereof;
FIG. 6 is a top view thereof; and,
FIG. 7 is a bottom view thereof.
The broken lines in the figures show portions of the push switch that form no part of the claimed design.

1 Claim, 5 Drawing Sheets

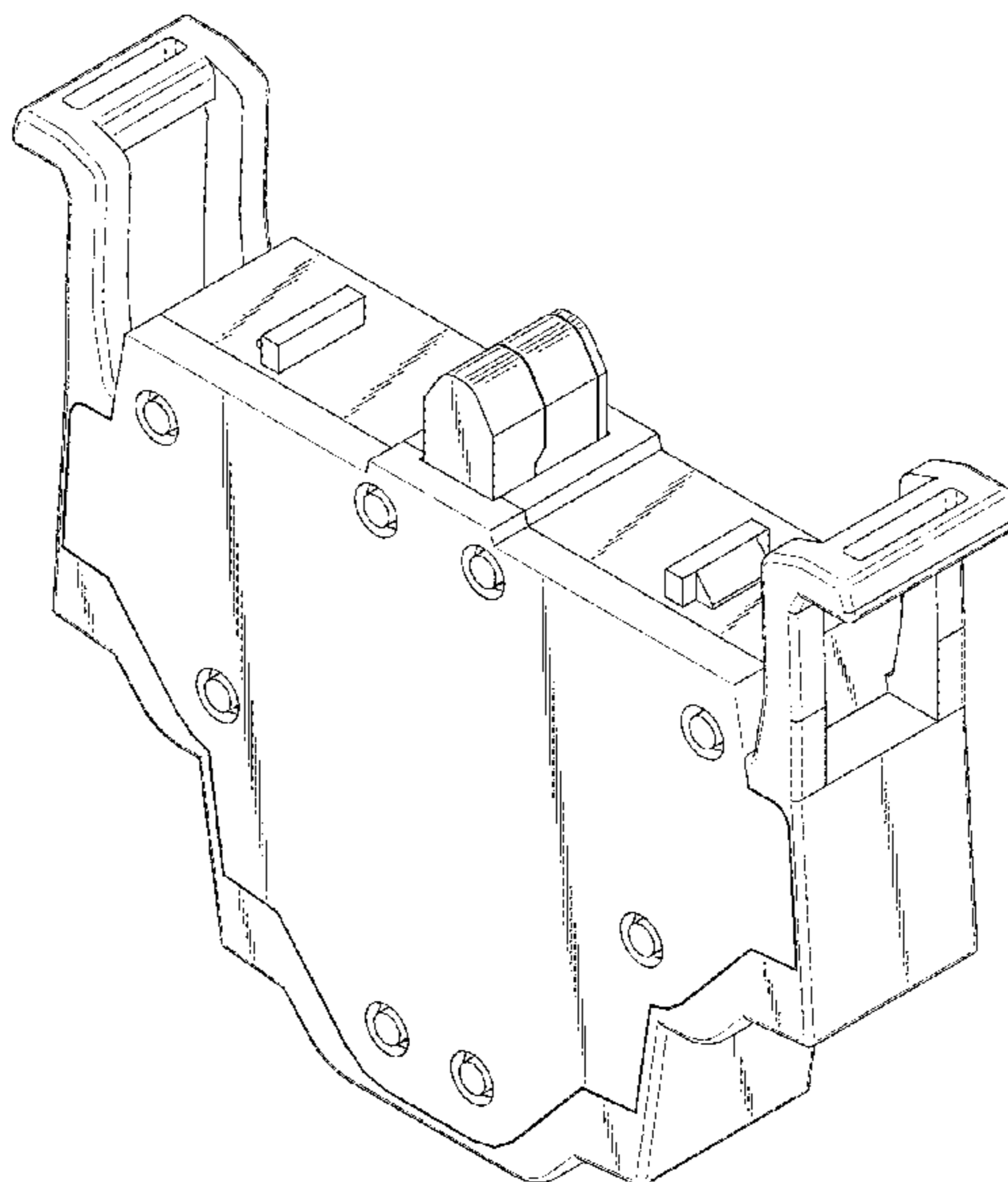


Fig. 1

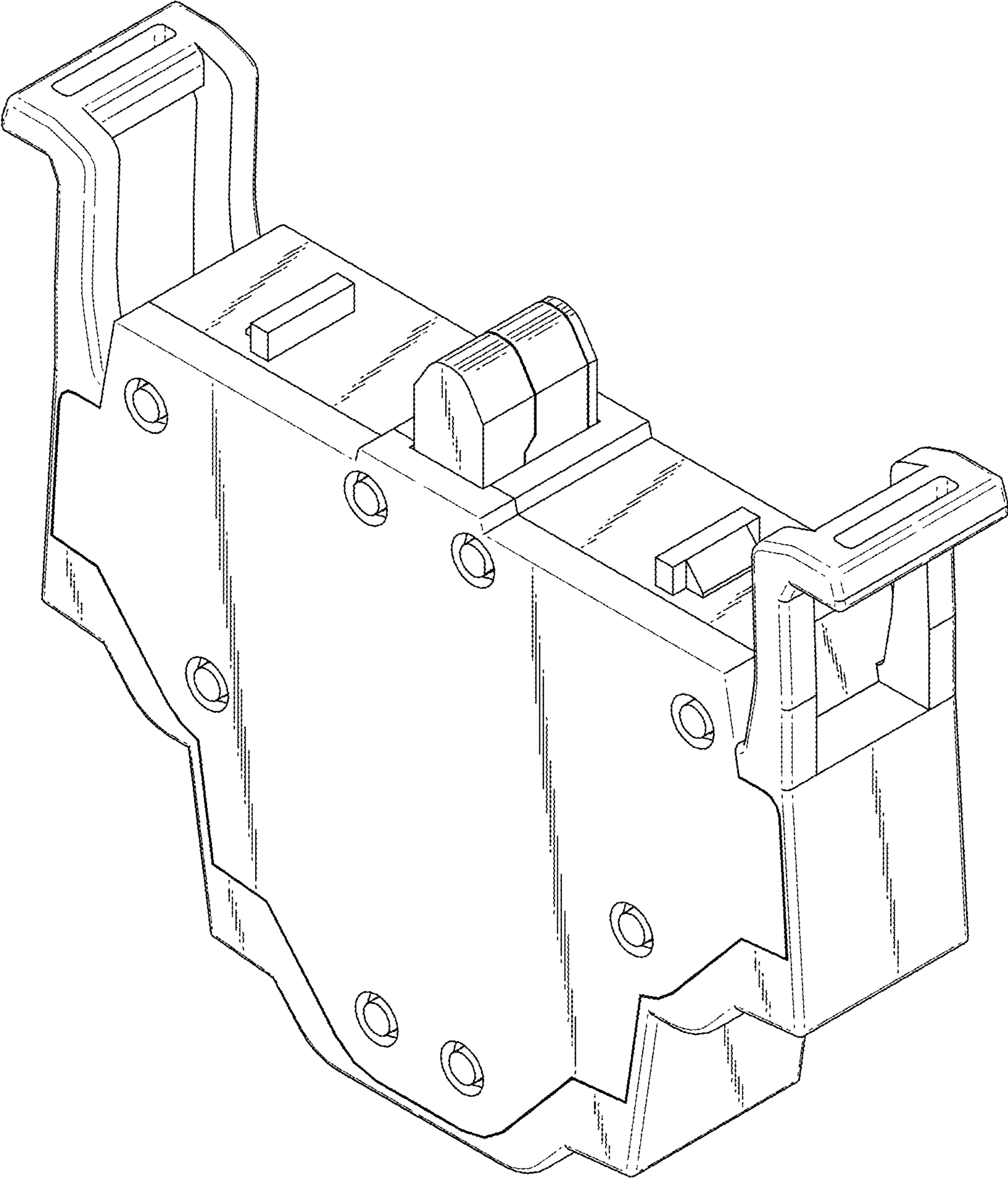


Fig. 2

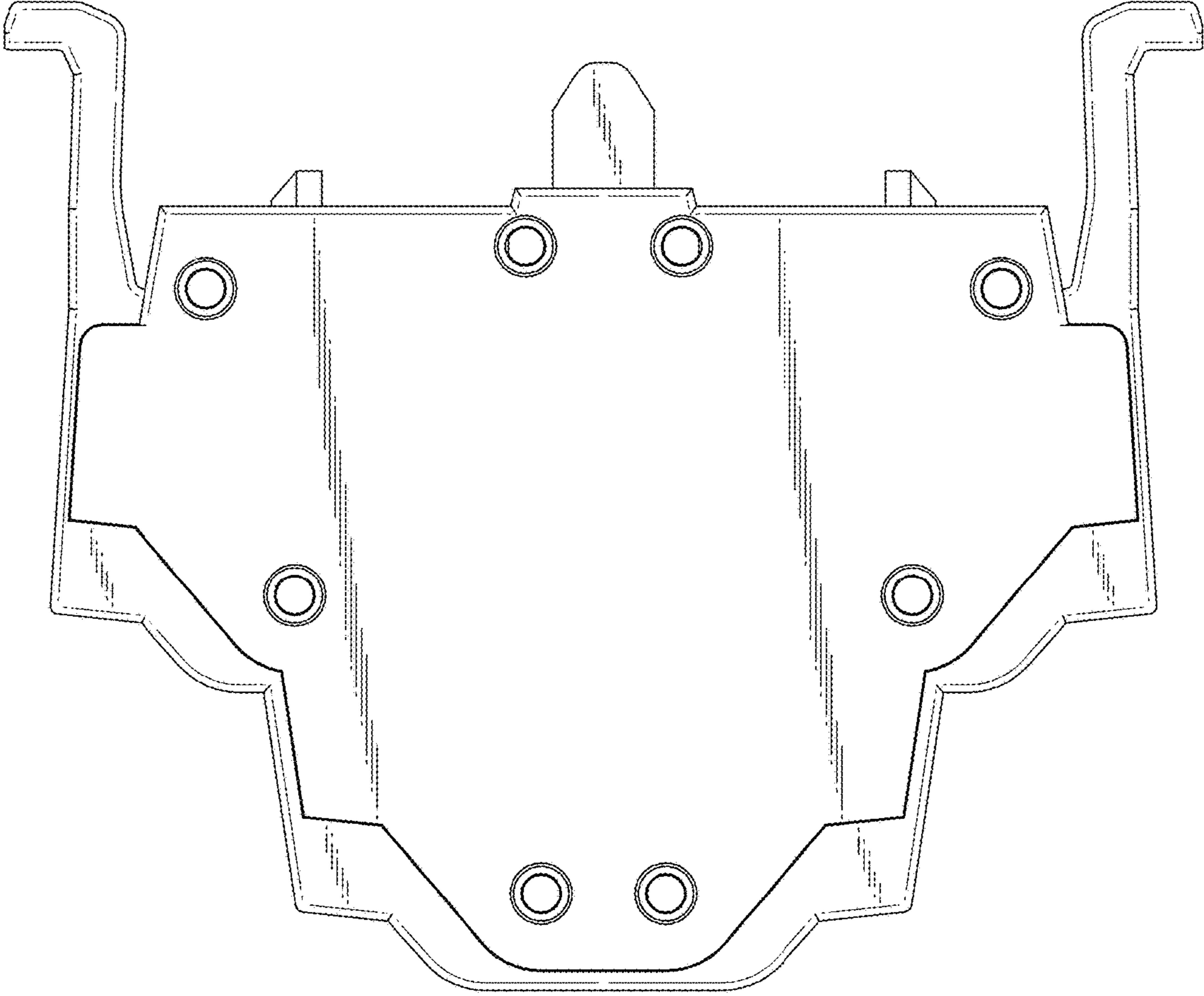


Fig. 3

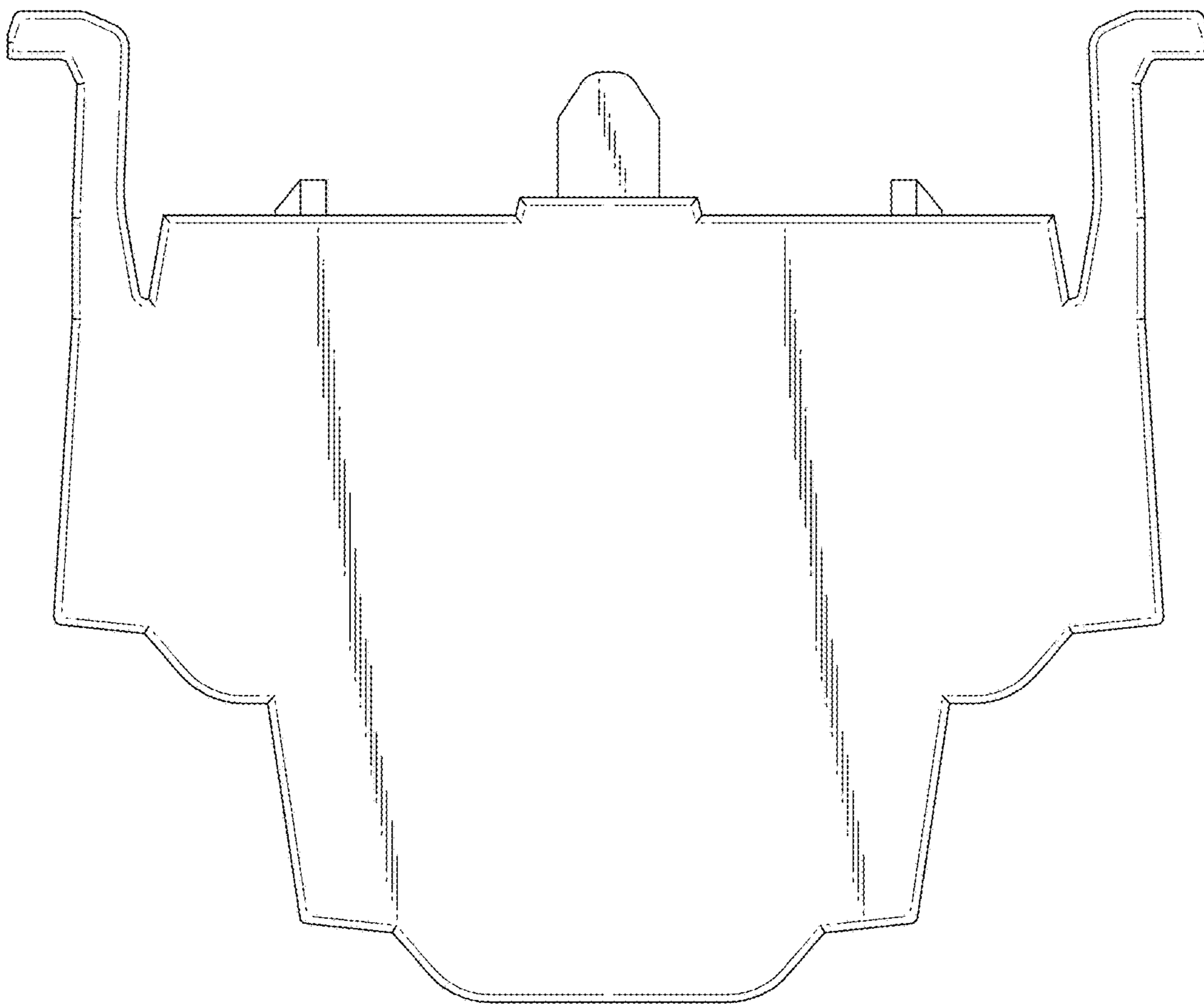


Fig. 4

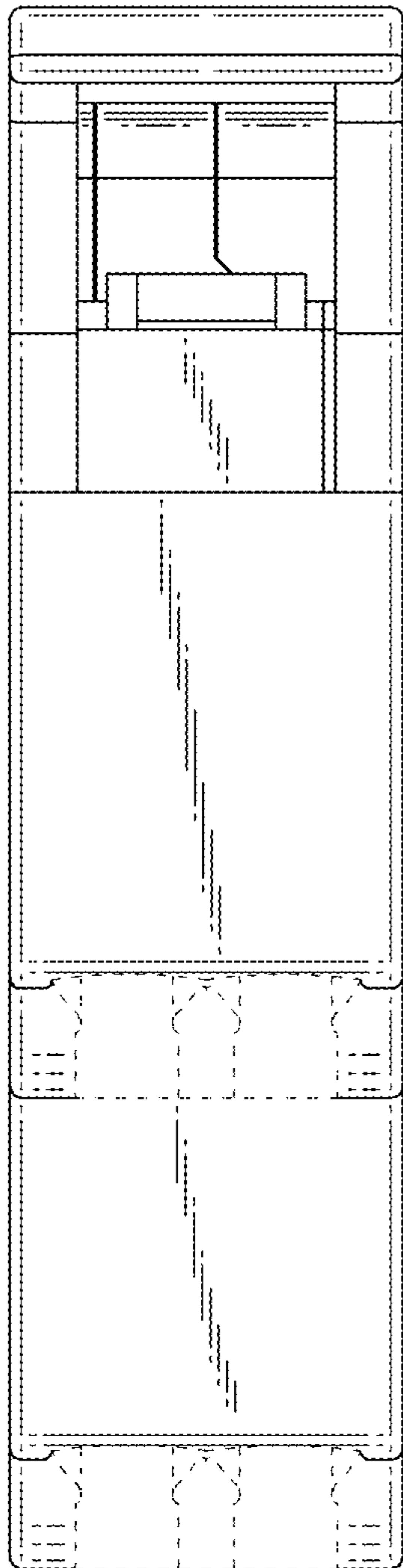


Fig. 5

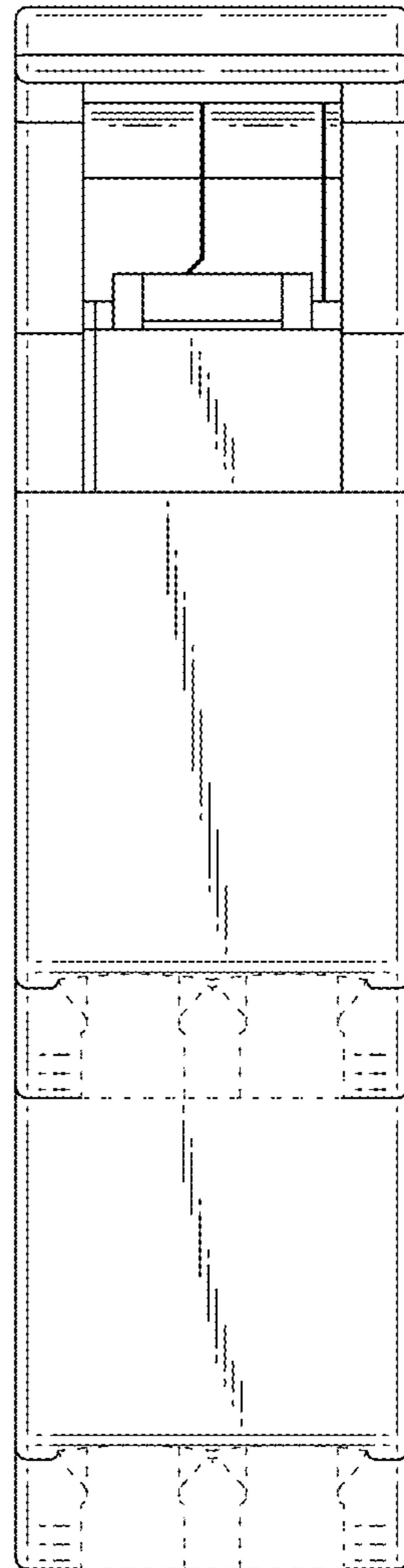


Fig. 6

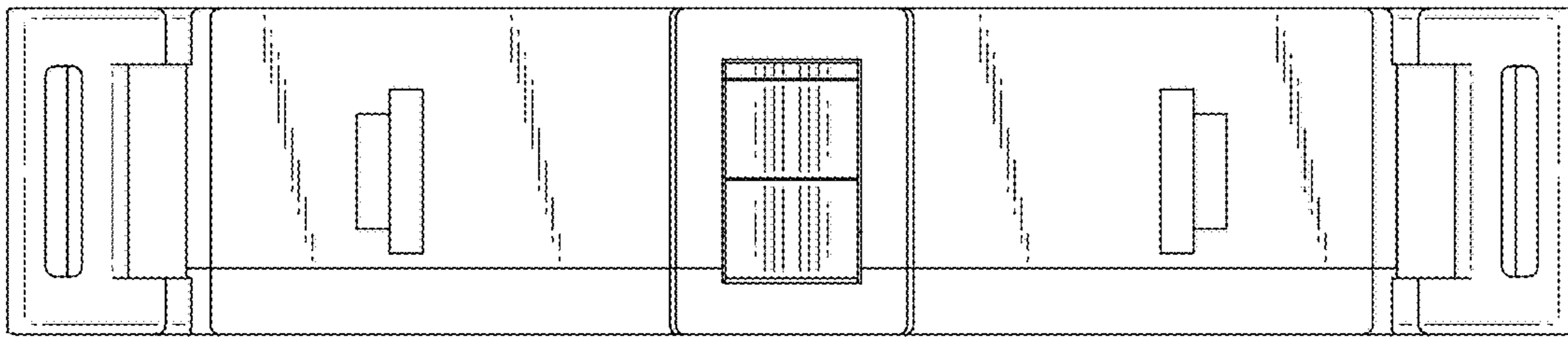


Fig. 7

