



US00D817895S

(12) **United States Design Patent** (10) **Patent No.:** **US D817,895 S**
Uchida et al. (45) **Date of Patent:** **** May 15, 2018**

(54) **CABLE PROTECTOR**

(71) Applicant: **SUMITOMO WIRING SYSTEMS, LTD.**, Yokkaichi-shi, Mie-ken (JP)

(72) Inventors: **Masashi Uchida**, Yokkaichi (JP);
Kyoko Fukuyama, Yokkaichi (JP)

(73) Assignee: **Sumitomo Wiring Systems, Ltd.**,
Yokkaichi-shi, Mie-Ken (JP)

(**) Term: **15 Years**

(21) Appl. No.: **29/584,772**

(22) Filed: **Nov. 17, 2016**

(30) **Foreign Application Priority Data**

Jun. 2, 2016 (JP) 2016-011846

(51) **LOC (11) Cl.** **13-03**

(52) **U.S. Cl.**
USPC **D13/156**

(58) **Field of Classification Search**

USPC D13/155, 123, 133, 151, 153, 154, 156,
D13/157, 184, 199; D8/349, 354, 380;
D23/259, 262

CPC . H01R 24/58; H01R 4/10; H01R 4/18; H01R
4/38; H01R 4/40; H01R 4/56; H01R
4/60; H01R 4/64

See application file for complete search history.

(56) **References Cited**

U.S. PATENT DOCUMENTS

2,665,673 A * 1/1954 Woofter H01R 13/5213
174/138 F
D294,486 S * 3/1988 Opitz D13/156

D331,567 S * 12/1992 Braga D13/156
D358,129 S * 5/1995 Mizobe D13/154
D361,751 S * 8/1995 Geis D13/154
D412,314 S * 7/1999 Lee D13/156
D435,513 S * 12/2000 Cheng D13/133
D455,404 S * 4/2002 Owens D13/153
D500,475 S * 1/2005 Noro D13/133
D528,506 S * 9/2006 Taguchi D13/133
D597,947 S * 8/2009 Ono D13/133
D629,358 S * 12/2010 Slippy D13/133
D669,033 S * 10/2012 Senk D13/133
D731,429 S * 6/2015 Chung D13/132
D741,806 S * 10/2015 Davidson, Jr. D13/133
D775,075 S * 12/2016 Aishima D13/129

* cited by examiner

Primary Examiner — Derrick Holland

Assistant Examiner — Jennifer O King

(74) *Attorney, Agent, or Firm* — Caesar Rivise, PC

(57) **CLAIM**

The ornamental design for a cable protector, as shown and described.

DESCRIPTION

FIG. 1 is a perspective view of a cable protector showing our new design;

FIG. 2 is a front view thereof;

FIG. 3 is a rear view thereof;

FIG. 4 is a top plan view thereof;

FIG. 5 is a bottom plan view thereof;

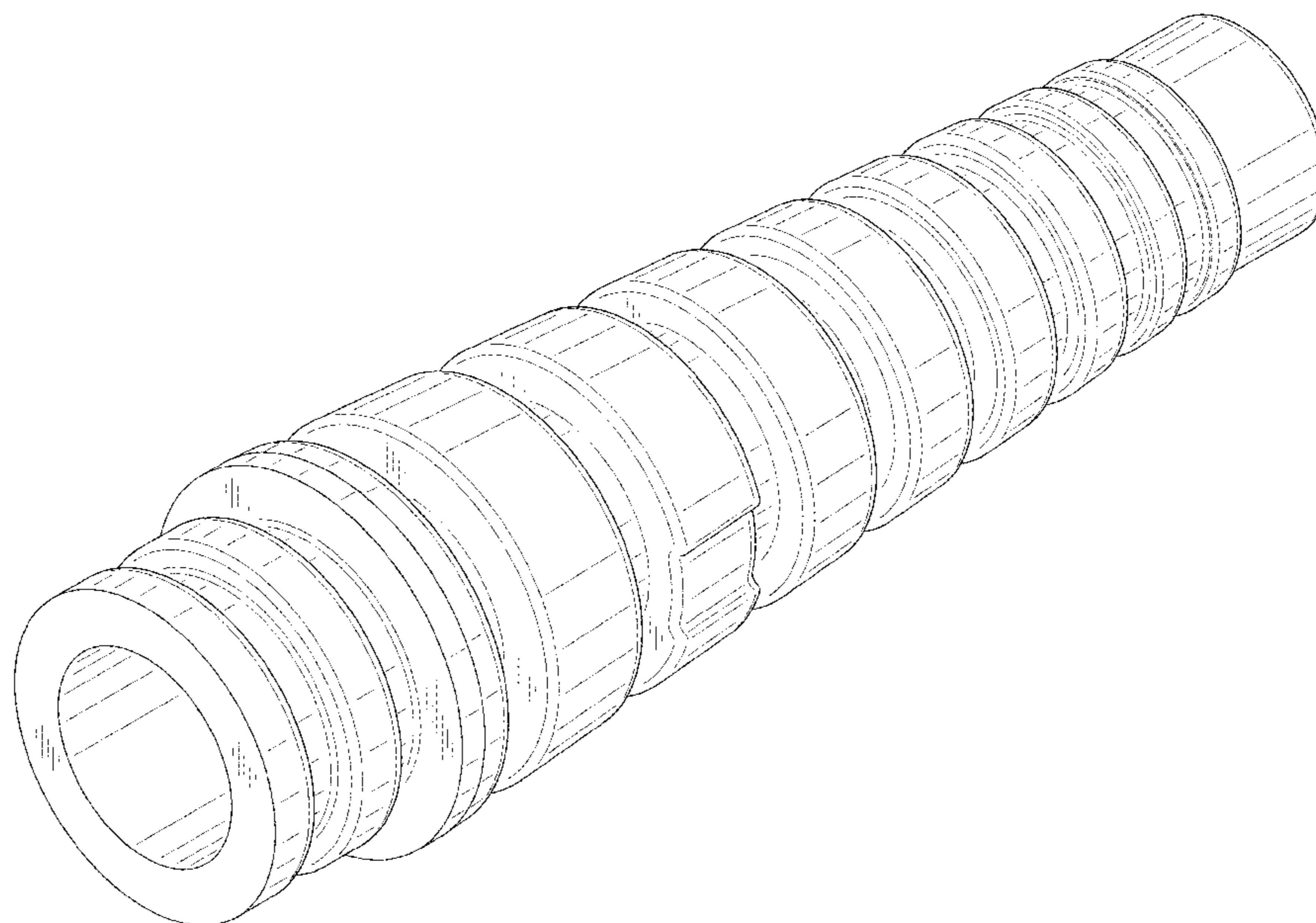
FIG. 6 is a right side view thereof;

FIG. 7 is a left side view thereof; and,

FIG. 8 is a referential view showing the article in use.

In FIG. 8, broken lines in the drawing depict environmental subject matter only and form no part of the claimed design.

1 Claim, 7 Drawing Sheets



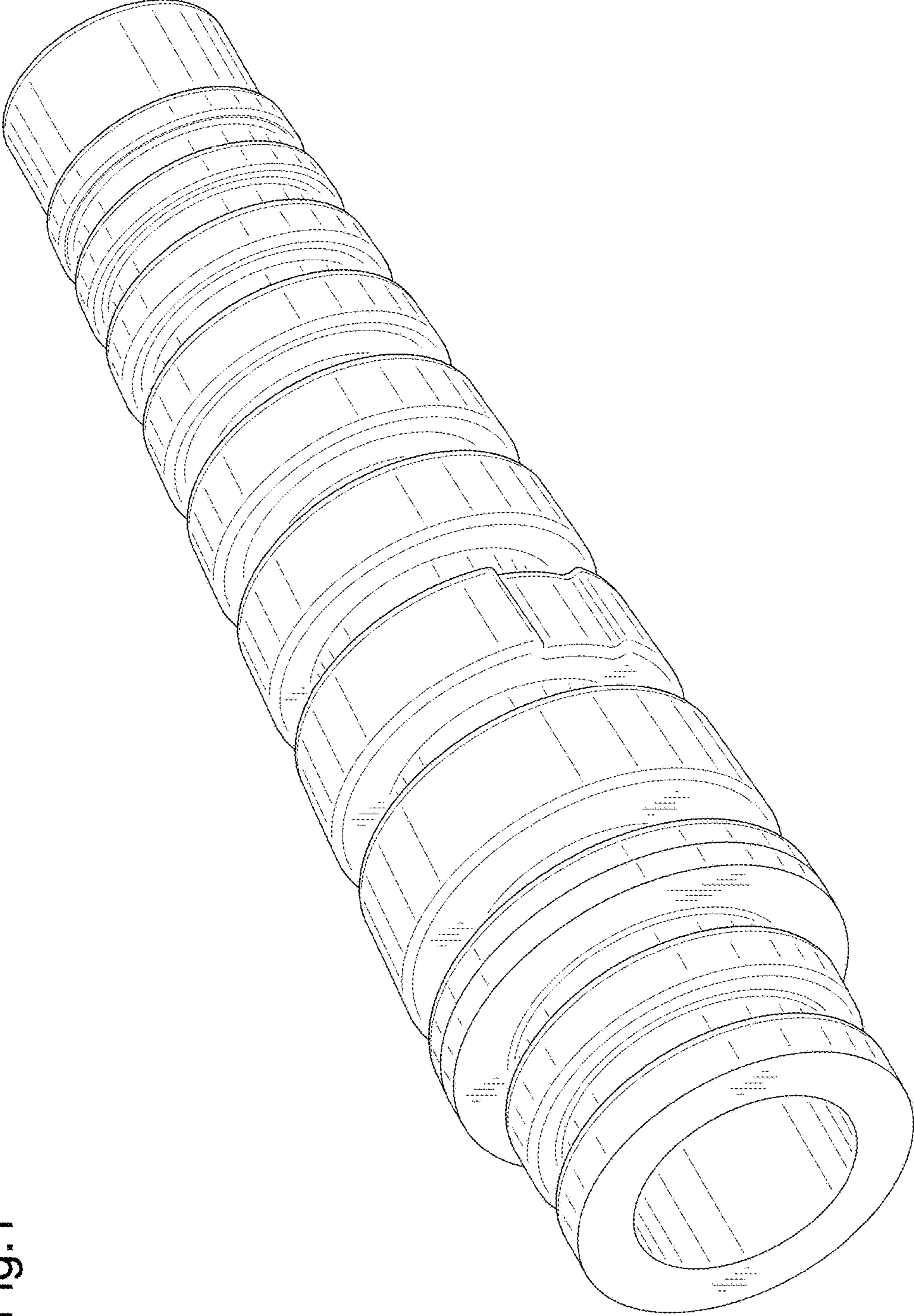


Fig.1

Fig.2

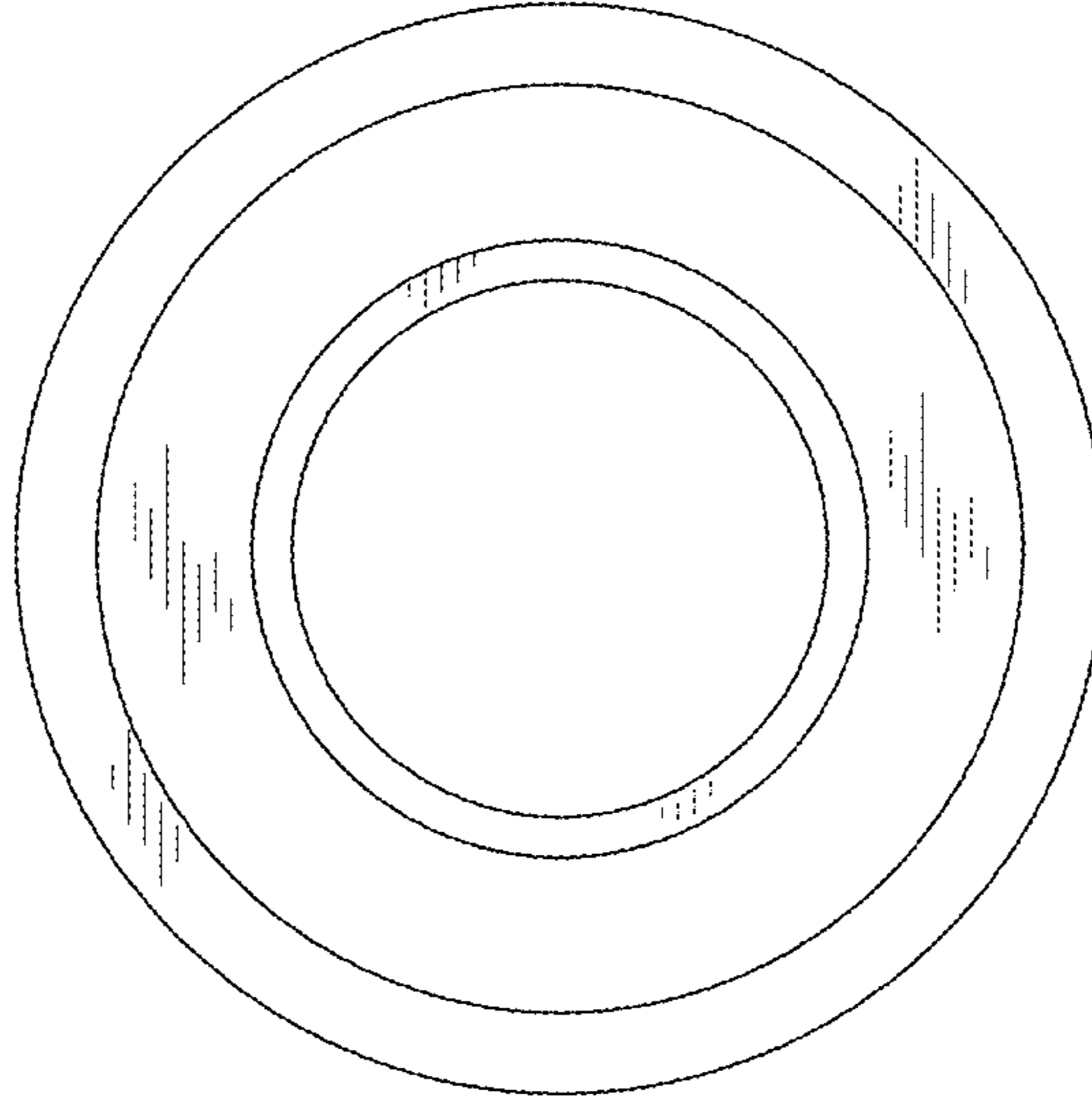


Fig.3

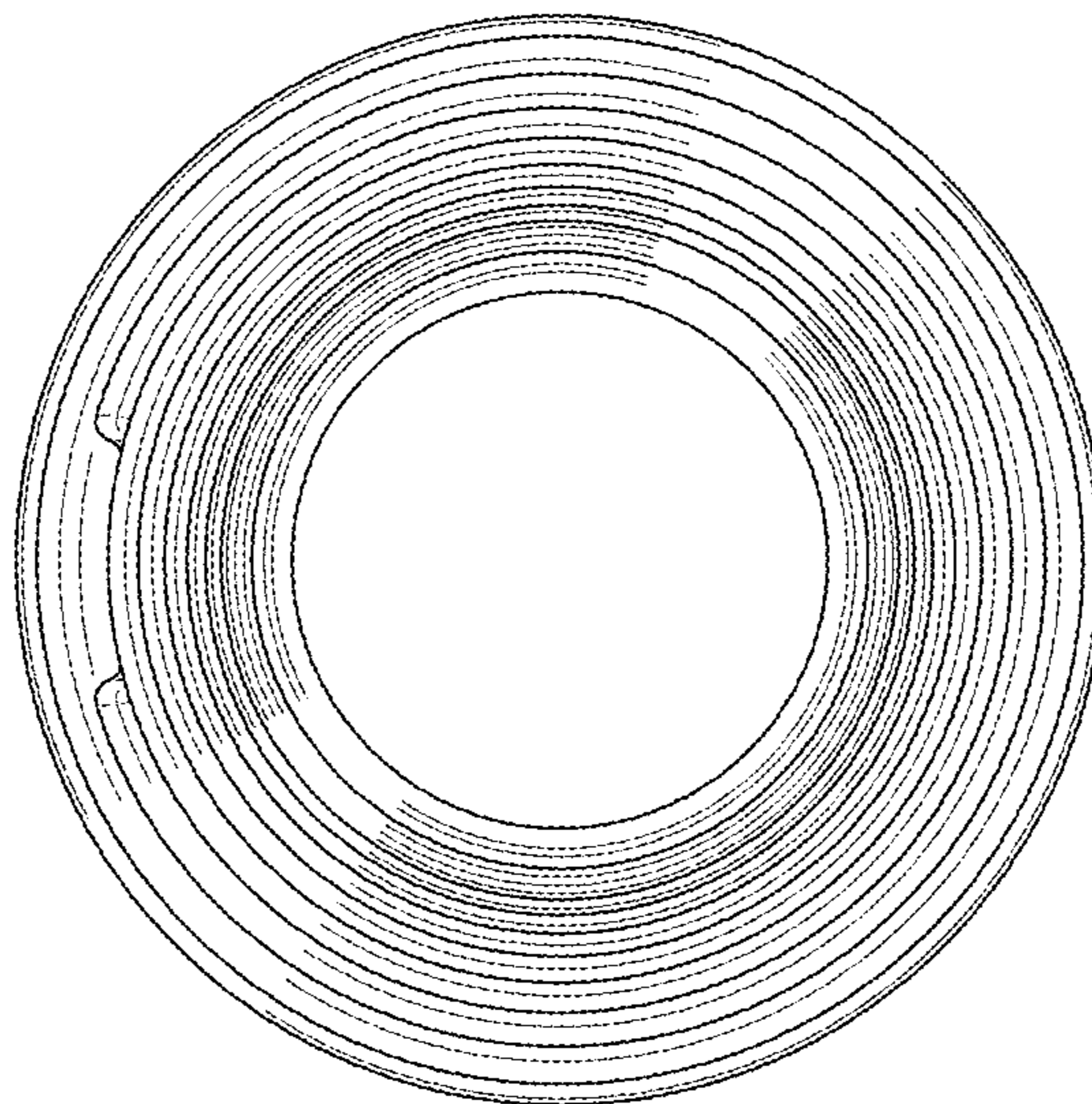


Fig.4

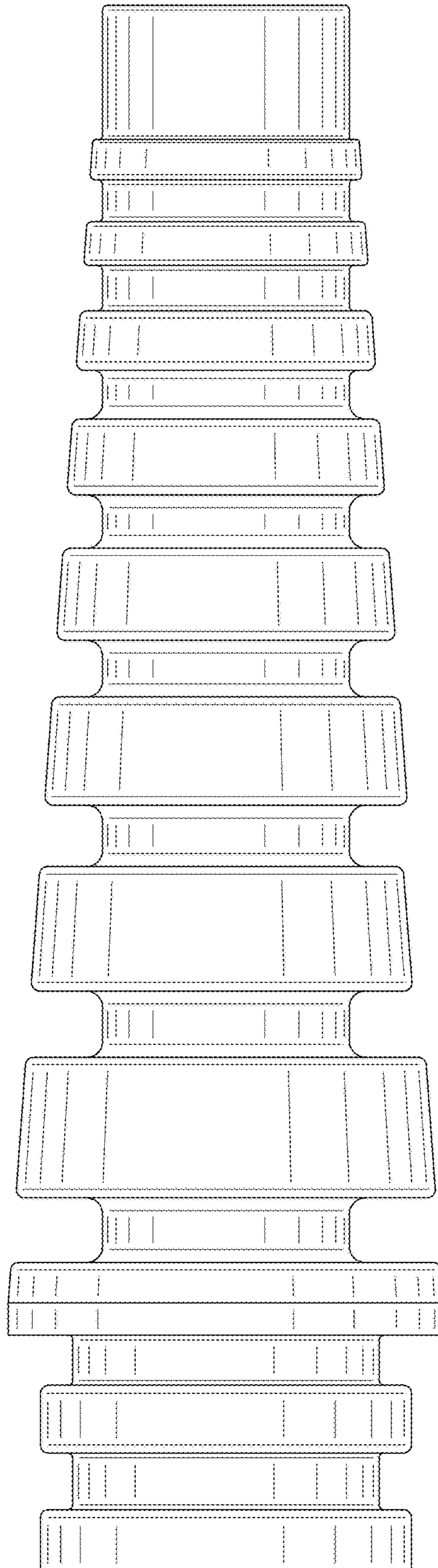
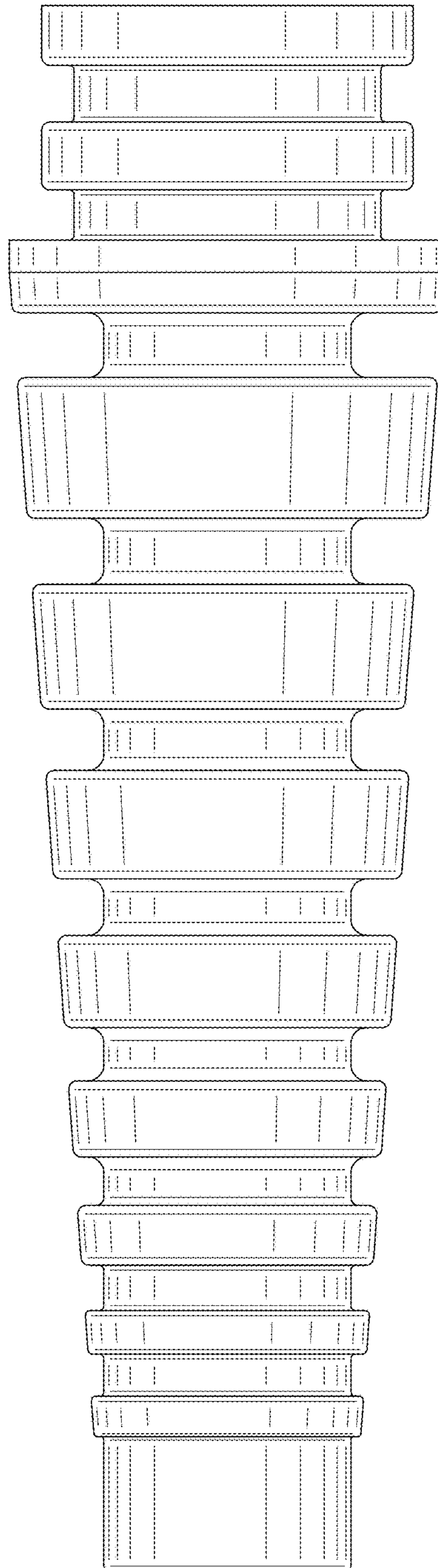


Fig.5



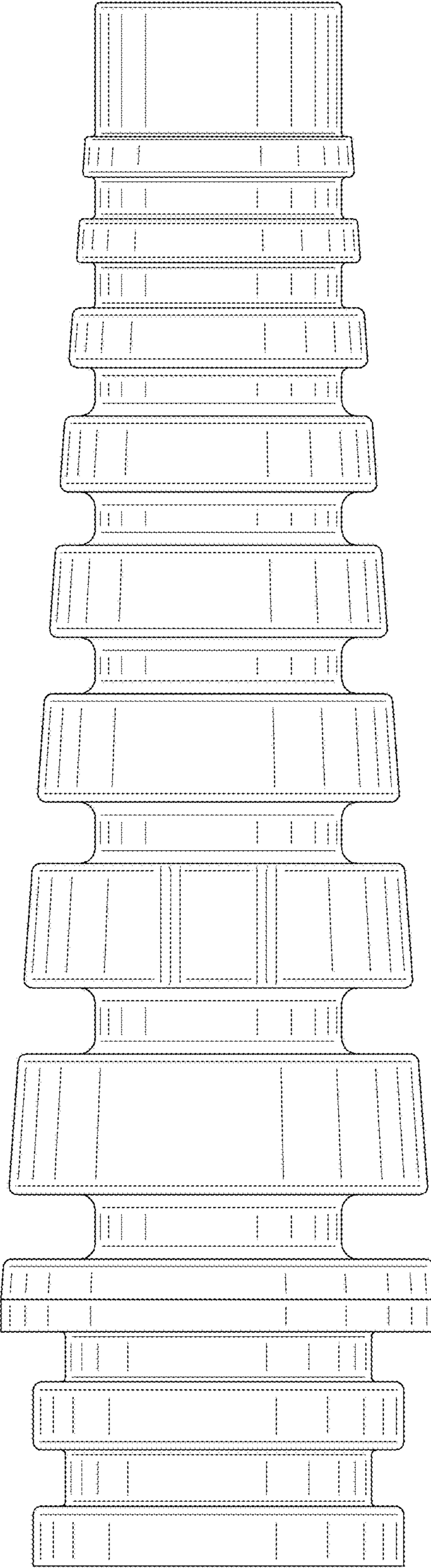


Fig.6

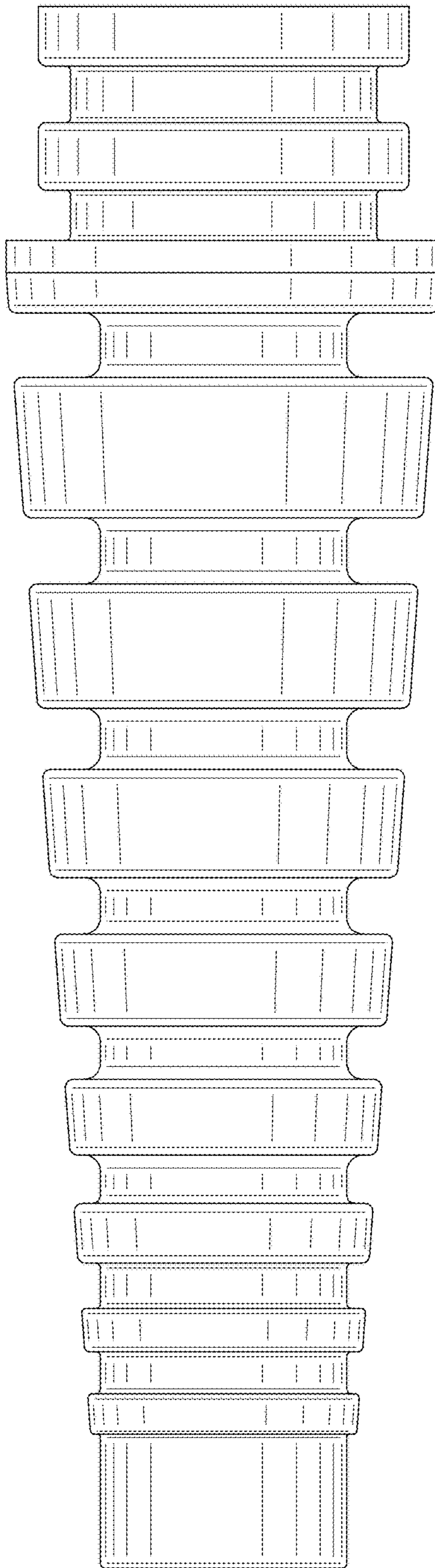


Fig.7

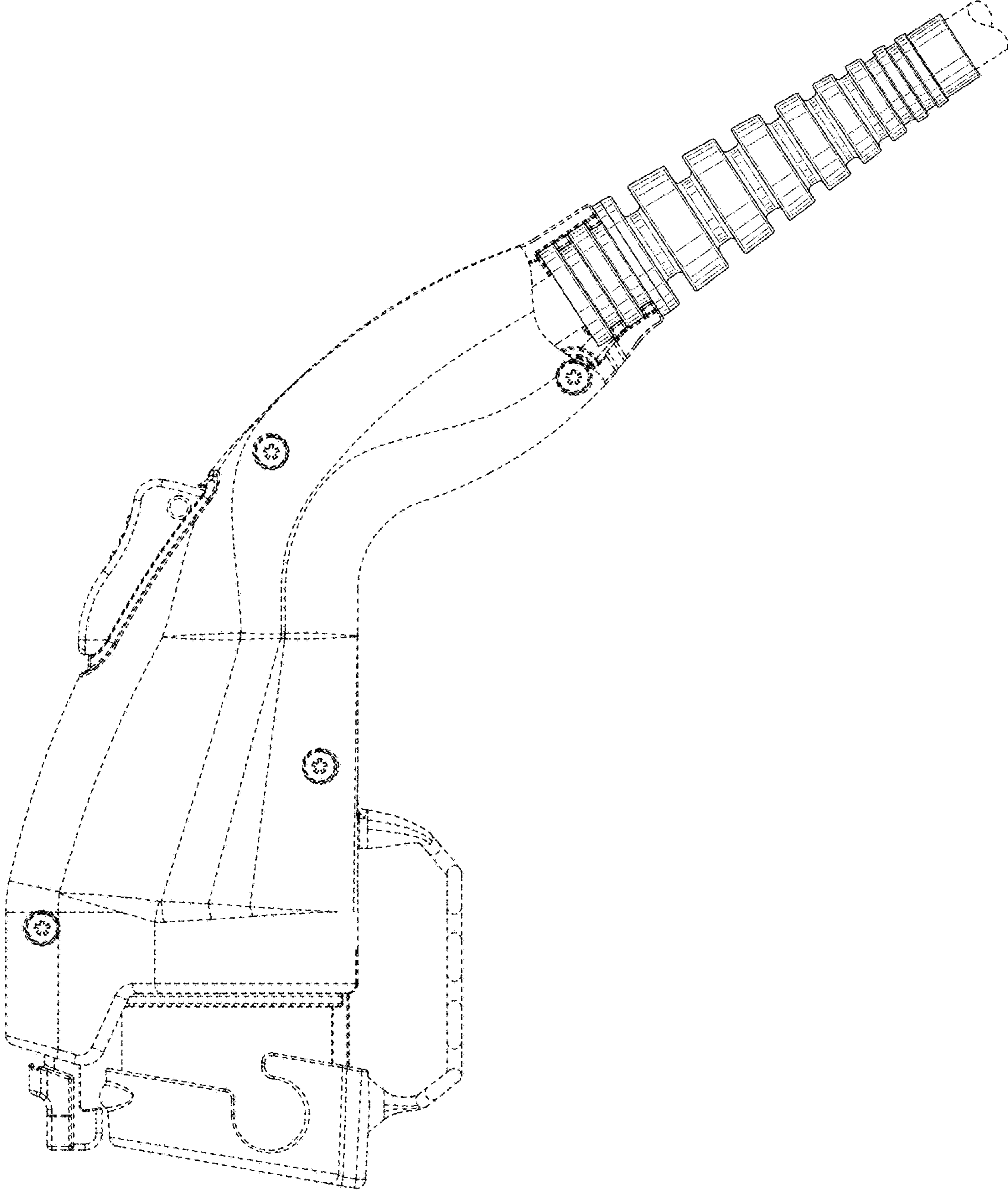


Fig.8