



US00D817891S

(12) **United States Design Patent** (10) **Patent No.:** **US D817,891 S**
Santos et al. (45) **Date of Patent:** **** May 15, 2018**

(54) **SMART TAP HOUSING**

2012, 85 pages, Publication No. CA0506001Z-EN-INT Doku/DHW/ip 05/15, Article No. 153577, Printed in Germany, Eaton Corporation, www.eaton.eu/swd.

(71) Applicant: **Rockwell Automation Technologies, Inc.**, Mayfield Heights, OH (US)

(Continued)

(72) Inventors: **Roberto S. Santos**, Hudson, MA (US); **Steven R. Tambeau**, Marlborough, MA (US); **Brian J. Taylor**, Boston, MA (US); **Burt Sacherski**, Nashua, NH (US); **Elik I. Fooks**, Lexington, MA (US); **Suresh R. Nair**, Amherst, NH (US); **Michael Flannery**, Groton, MA (US); **Scott Wakefield**, Andover, MA (US)

Primary Examiner — Cynthia Ramirez

Assistant Examiner — Gino Colan

(74) *Attorney, Agent, or Firm* — Amin, Turocy & Watson, LLP

(57) **CLAIM**

The ornamental design for a smart tap housing, as shown and described.

DESCRIPTION

(73) Assignee: **Rockwell Automation Technologies, Inc.**, Mayfield Heights, OH (US)

FIG. 1 is an isometric view of a smart tap housing showing our new design.

(**) Term: **15 Years**

FIG. 2 is a front view of the smart tap housing shown in FIG. 1.

(21) Appl. No.: **29/599,883**

FIG. 3 is a rear view of the smart tap housing shown in FIG. 1.

(22) Filed: **Apr. 7, 2017**

FIG. 4 is a right side view of the smart tap housing shown in FIG. 1.

(51) **LOC (11) Cl.** **13-03**

FIG. 5 is a left side view of the smart tap housing shown in FIG. 1.

(52) **U.S. Cl.**

USPC **D13/152**

FIG. 6 is a top view of the smart tap housing shown in FIG. 1.

(58) **Field of Classification Search**

USPC D13/162, 152, 158, 147, 139.4, 139.5, D13/153, 154, 156, 173, 184; 174/50,

FIG. 7 is a bottom view of the smart tap housing shown in FIG. 1.

(Continued)

FIG. 8 is another isometric view of a smart tap housing showing our new design.

(56) **References Cited**

U.S. PATENT DOCUMENTS

2,873,082 A 2/1959 Gillespie
5,193,890 A 3/1993 Robertson, Jr. et al.

(Continued)

FIG. 9 is a front view of the smart tap housing shown in FIG. 8.

FIG. 10 is a rear view of the smart tap housing shown in FIG. 8.

FIG. 11 is a right side view of the smart tap housing shown in FIG. 8.

FIG. 12 is a left side view of the smart tap housing shown in FIG. 8.

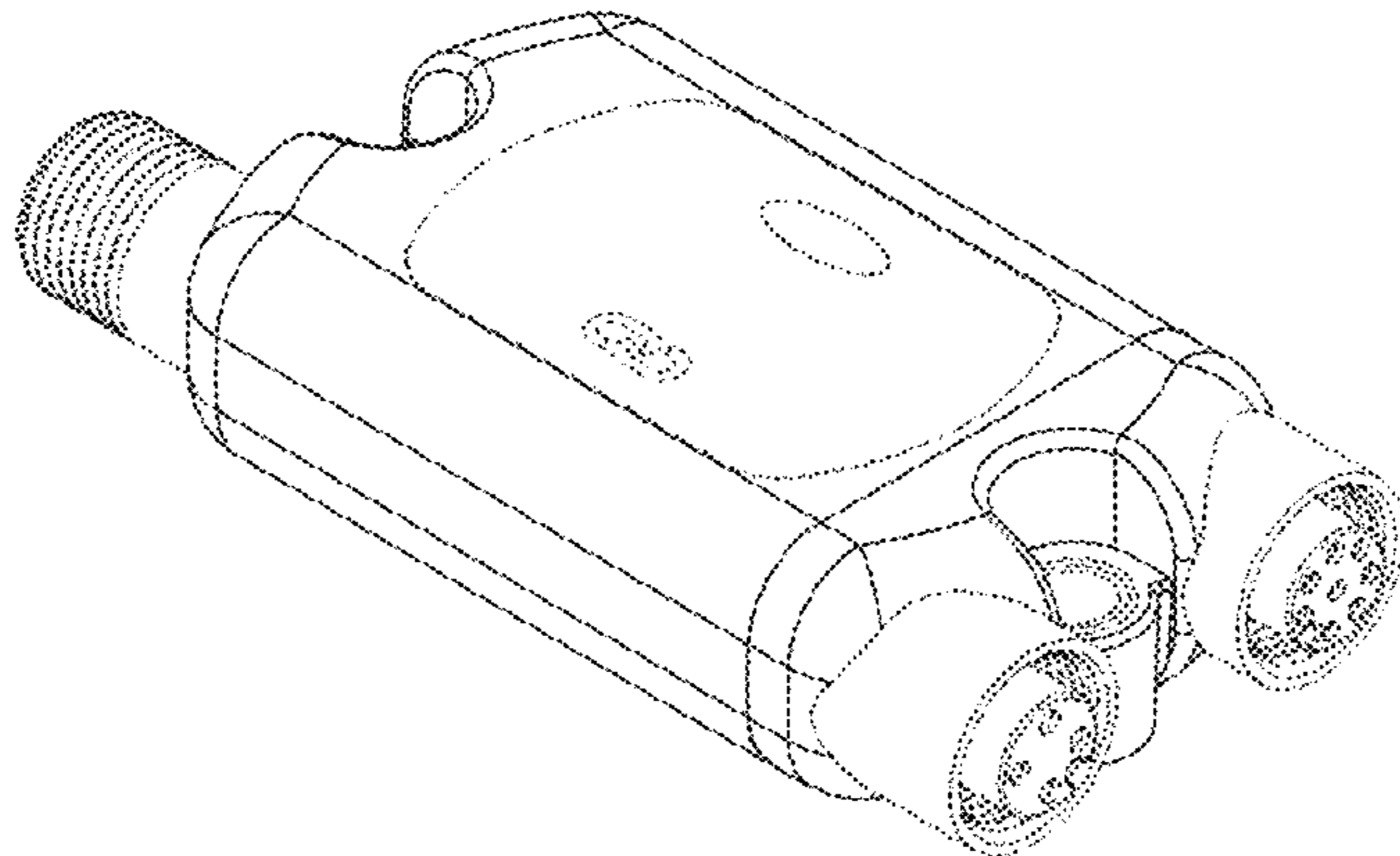
FIG. 13 is a top plan view of the smart tap housing shown in FIG. 8; and,

FIG. 14 is a bottom view of the smart tap housing shown in FIG. 8.

OTHER PUBLICATIONS

Eaton, Product Range Catalog. Connect Switchgear intelligently with SmartWire-DT® Operate Machines and Systems efficiently.

(Continued)



The broken lines shown in the figures are for the purpose of illustrating portions of the smart tap housing and form no part of the claimed design.

D549,663	S	*	8/2007	Tsou	D13/147
D552,039	S	*	10/2007	Liao	D13/162
8,455,831	B2		6/2013	Santos et al.		
D792,356	S	*	7/2017	Lin	D13/162

1 Claim, 10 Drawing Sheets

(58) Field of Classification Search

USPC 174/53, 54, 58, 66, 67; 220/3.2, 3.3, 3.6, 220/3.8, 4.02; 333/100; 361/643, 644; 439/367, 535, 536

CPC H01R 9/0509; H01R 2103/00; H01R 2105/00; H01R 24/547

See application file for complete search history.

(56) References Cited

U.S. PATENT DOCUMENTS

D461,779	S	*	8/2002	Hughes	D13/152
D462,059	S	*	8/2002	Hughes	D13/152
D462,328	S	*	9/2002	Hughes	D13/152
6,592,087	B2		7/2003	Pitault et al.		
6,839,239	B1		1/2005	Lee		
D545,765	S	*	7/2007	Cockburn	D13/147

OTHER PUBLICATIONS

Efector, IFM, AC2316 Dual Sensor T5 2SI 1DO T M12, May 12, 2011, 2 pages, IFM Ecefotr, Inc, Malvern PA.

Pilz, Passive junction—PDP67 F 4 code, Dec. 2009, 2 pages, Pilz GmbH & Co. KG, Germany, www.pilz.com.

Sick, Sensor Intelligence Flexi Classic Efficient Control to the End of the Line, May 8, 2015, 32 pages, 8011770, Sick AG, Germany, www.sick.com.

Eaton, SmartWire-DT Modules IP67 Manual, May 2015, 112 pages, MN012006ZEN, Eaton Industries GmbH, www.eaton.com.

Eaton, Connect Intelligently Increase Availability Cost Optimization, 2014, 24 pages, Article No. 118731, Eaton Corporation, Printed in Germany.

Sick, Sensor Intelligence Flexi Loop Safe sensor cascade hardware Operating Manual, May 24, 2016, 104 pages, Sick AG, Germany, www.sick.com.

Office Action for U.S. Appl. No. 15/482,022 dated Jan. 31, 2018, 26 pages.

* cited by examiner

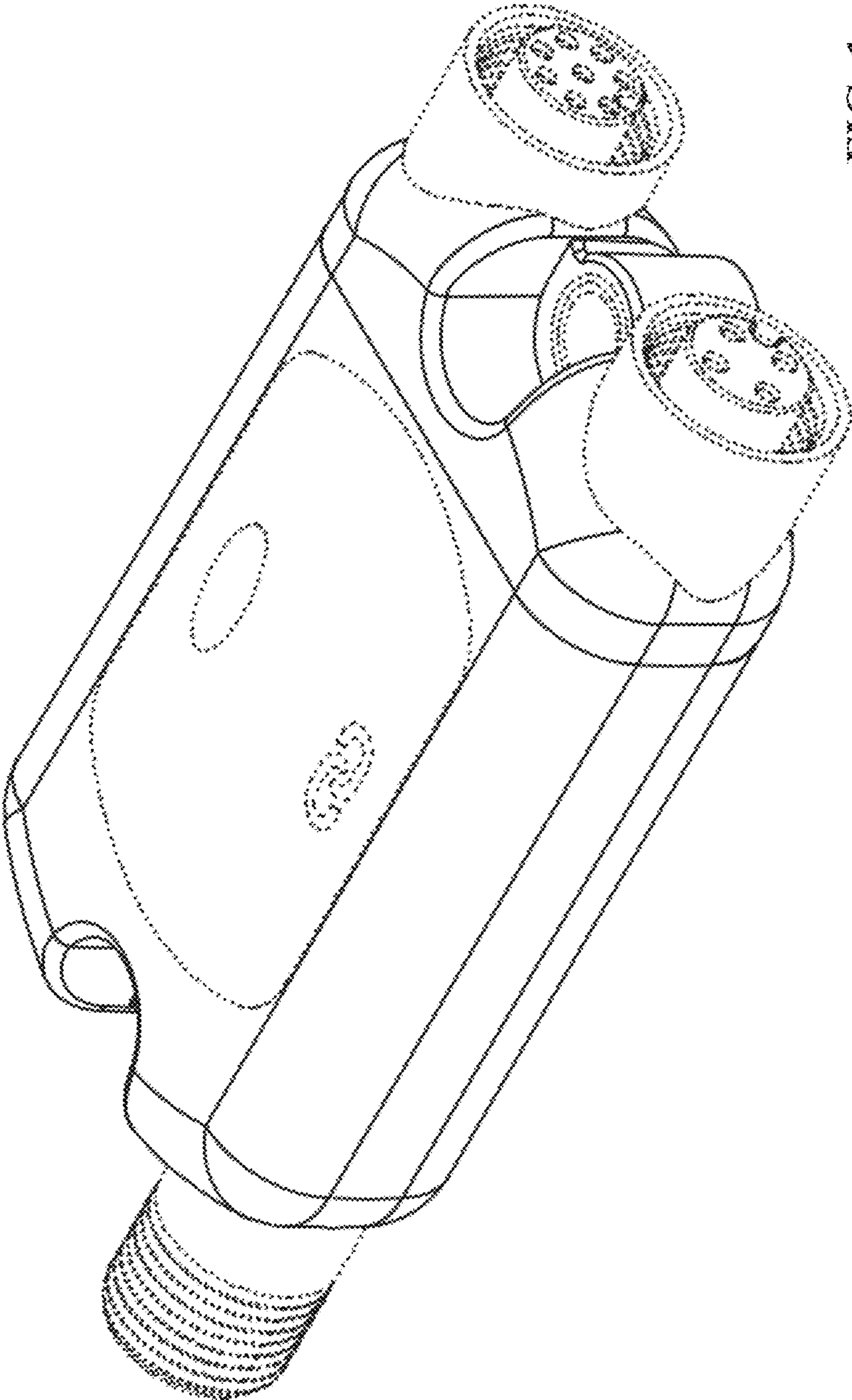


FIG. 1

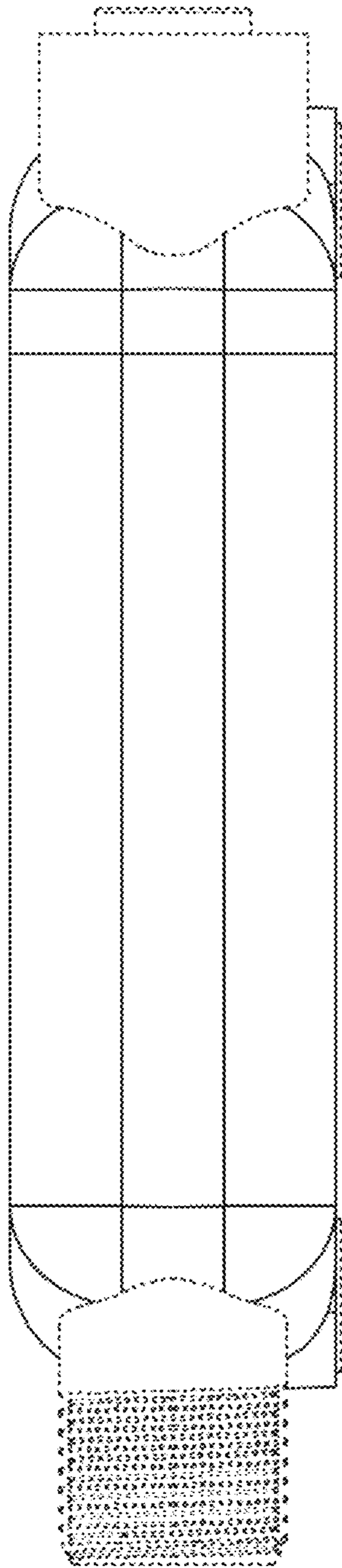


FIG. 2

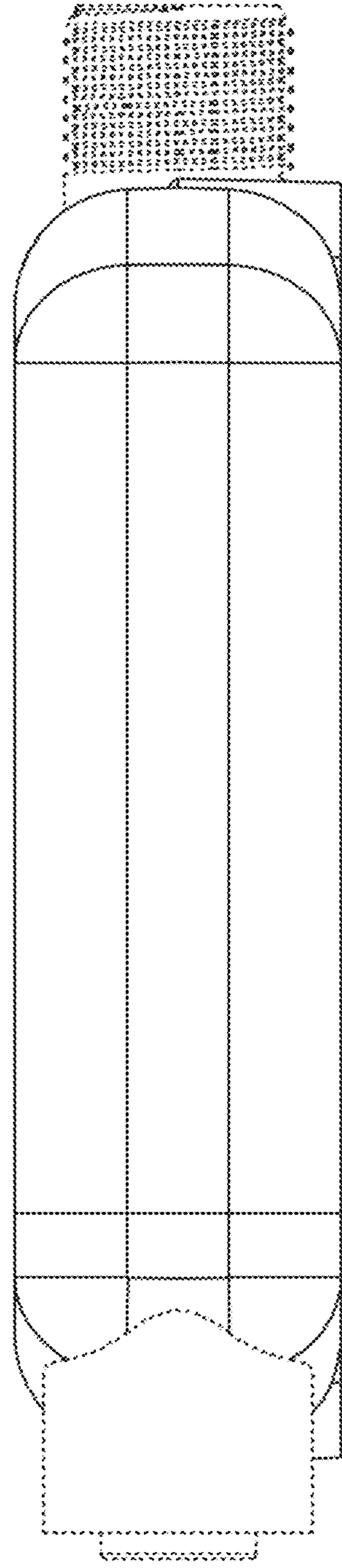


FIG. 3

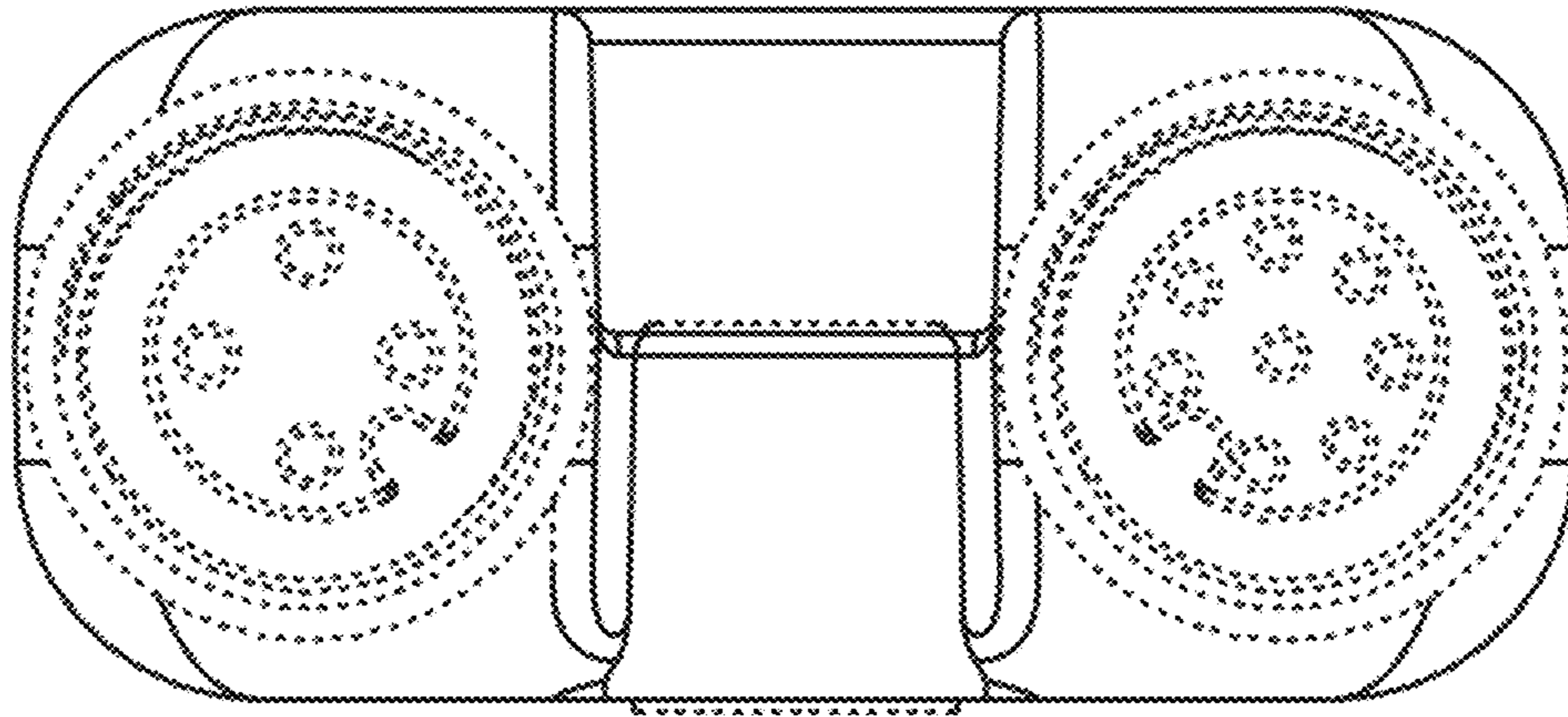


FIG. 4

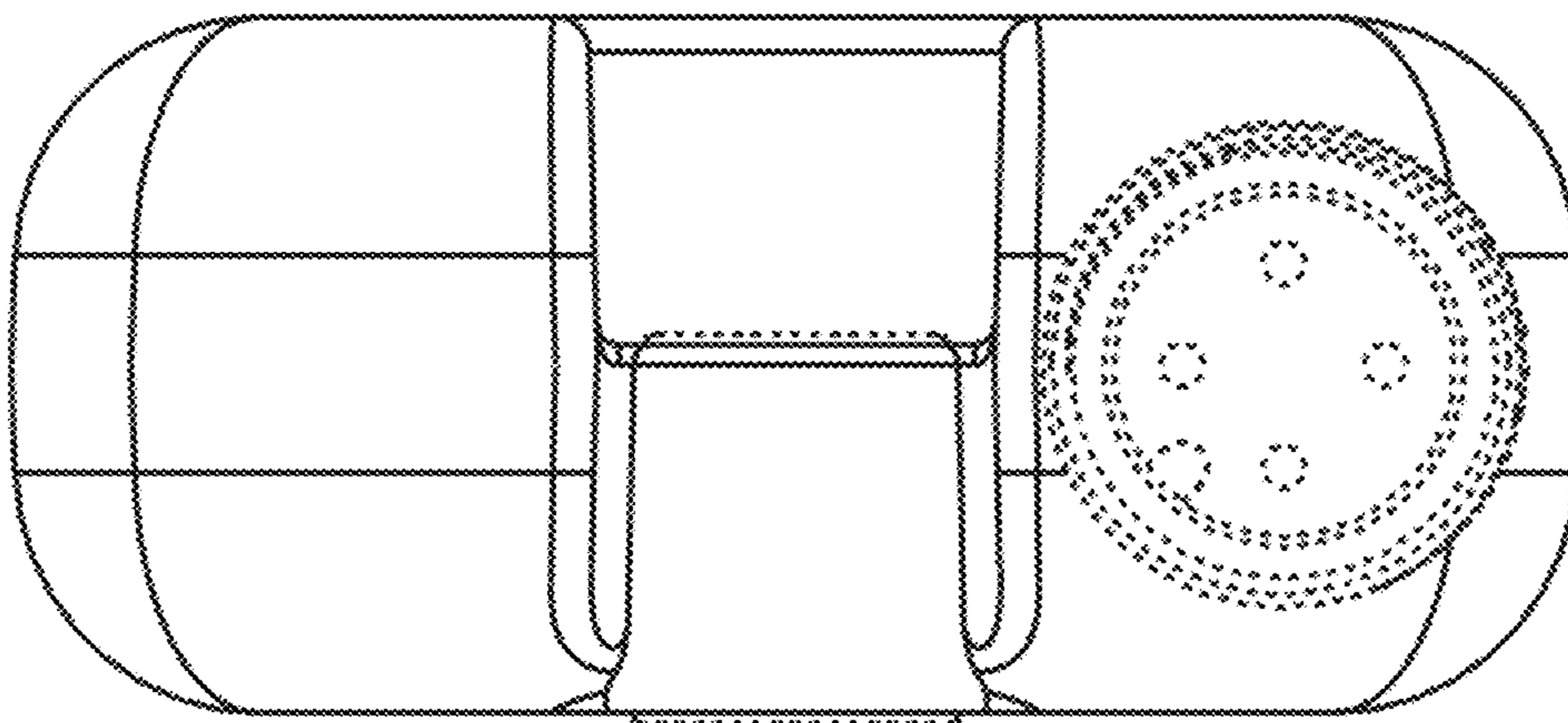


FIG. 5

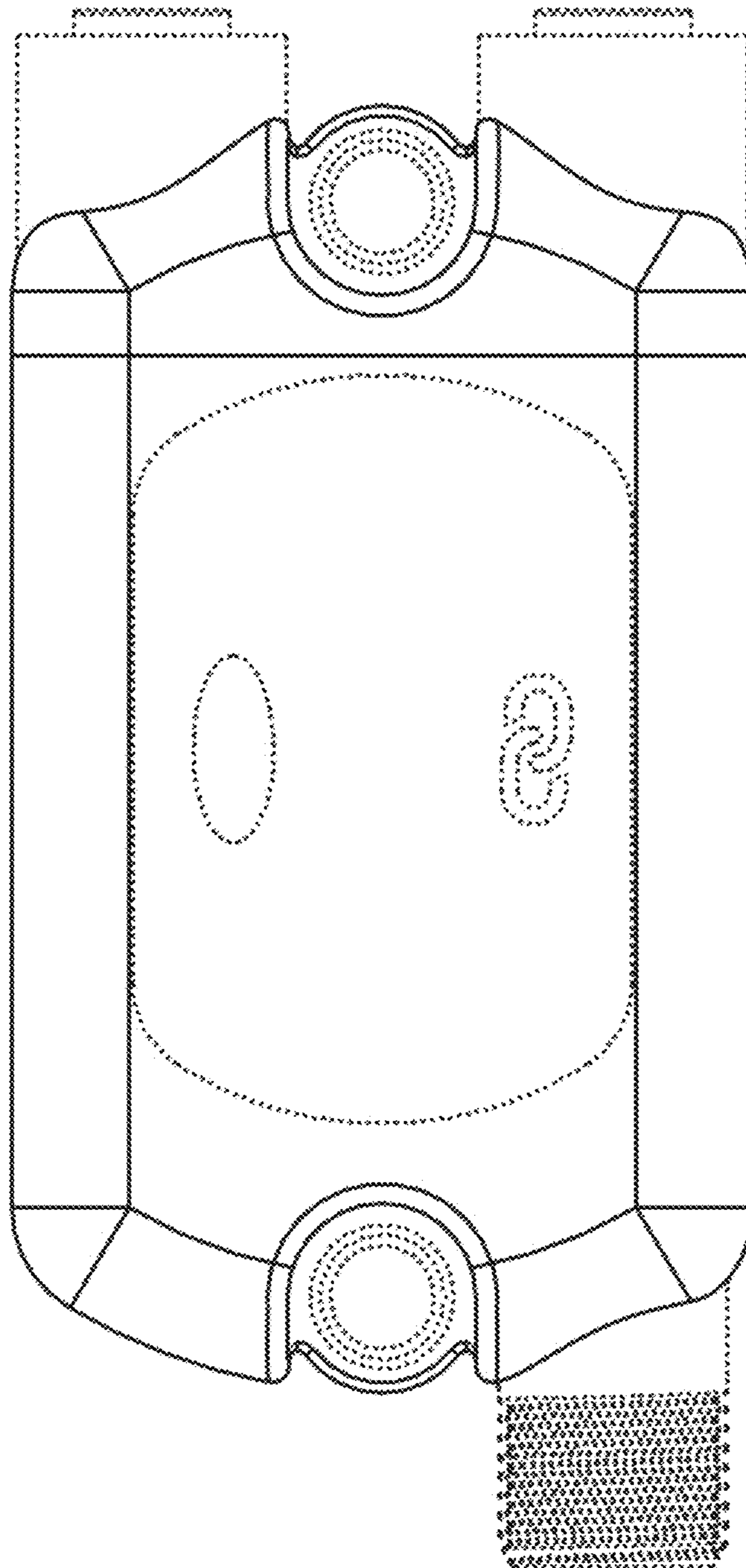


FIG. 6

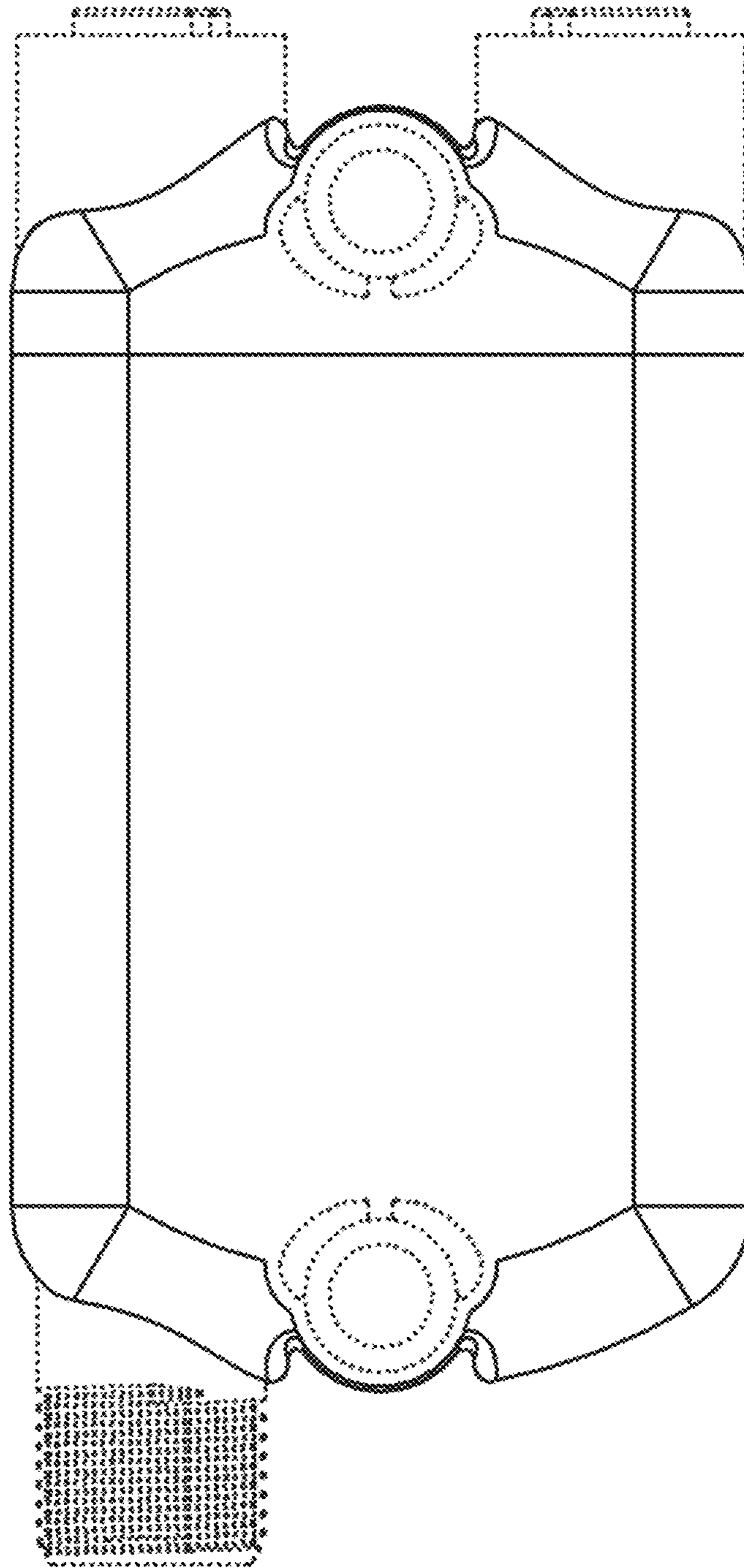


FIG. 7

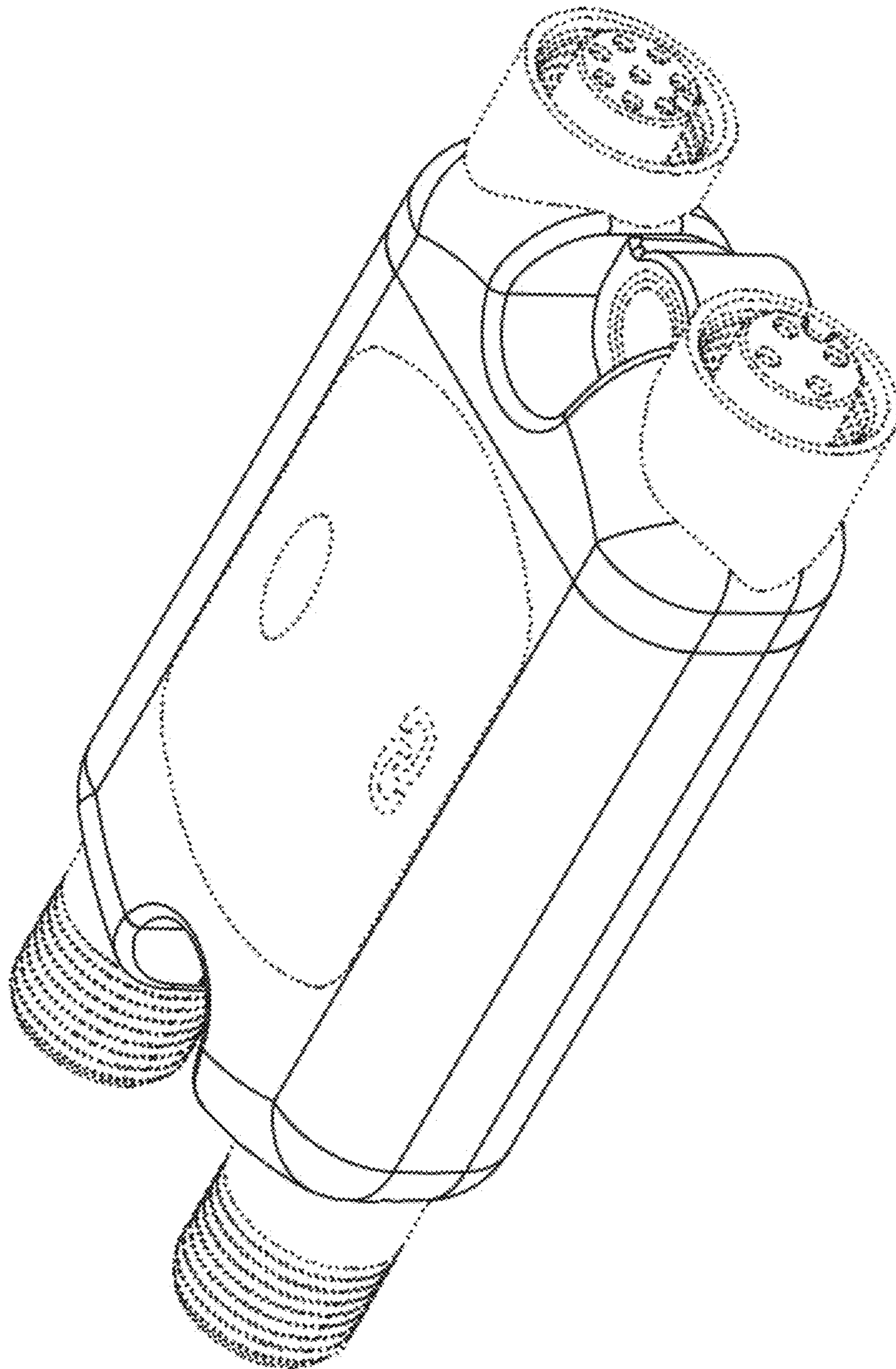


FIG. 8

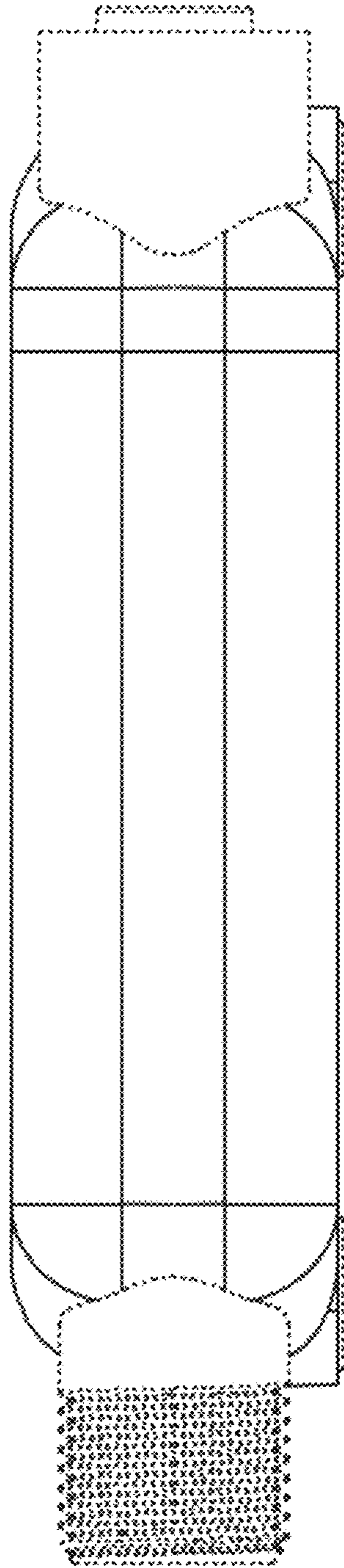


FIG. 9

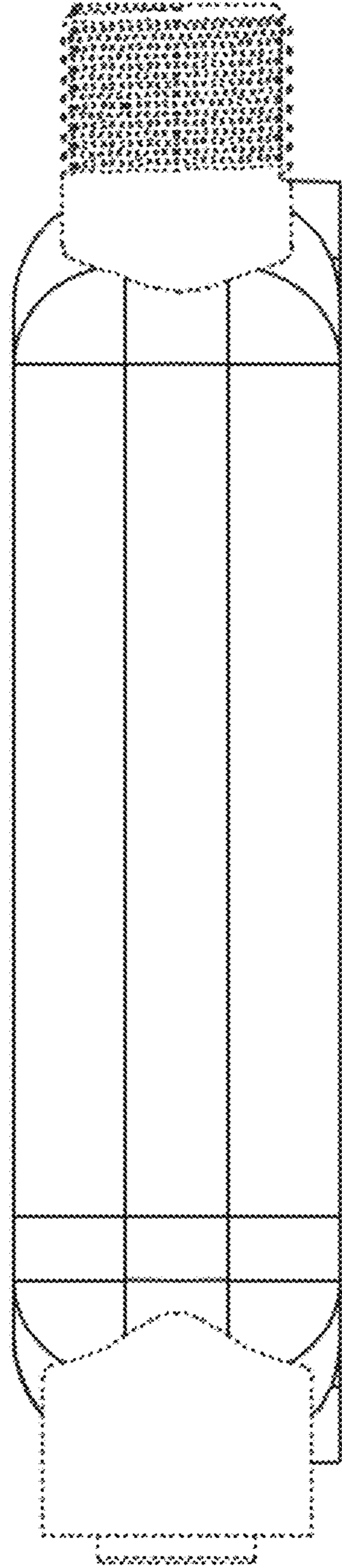


FIG. 10

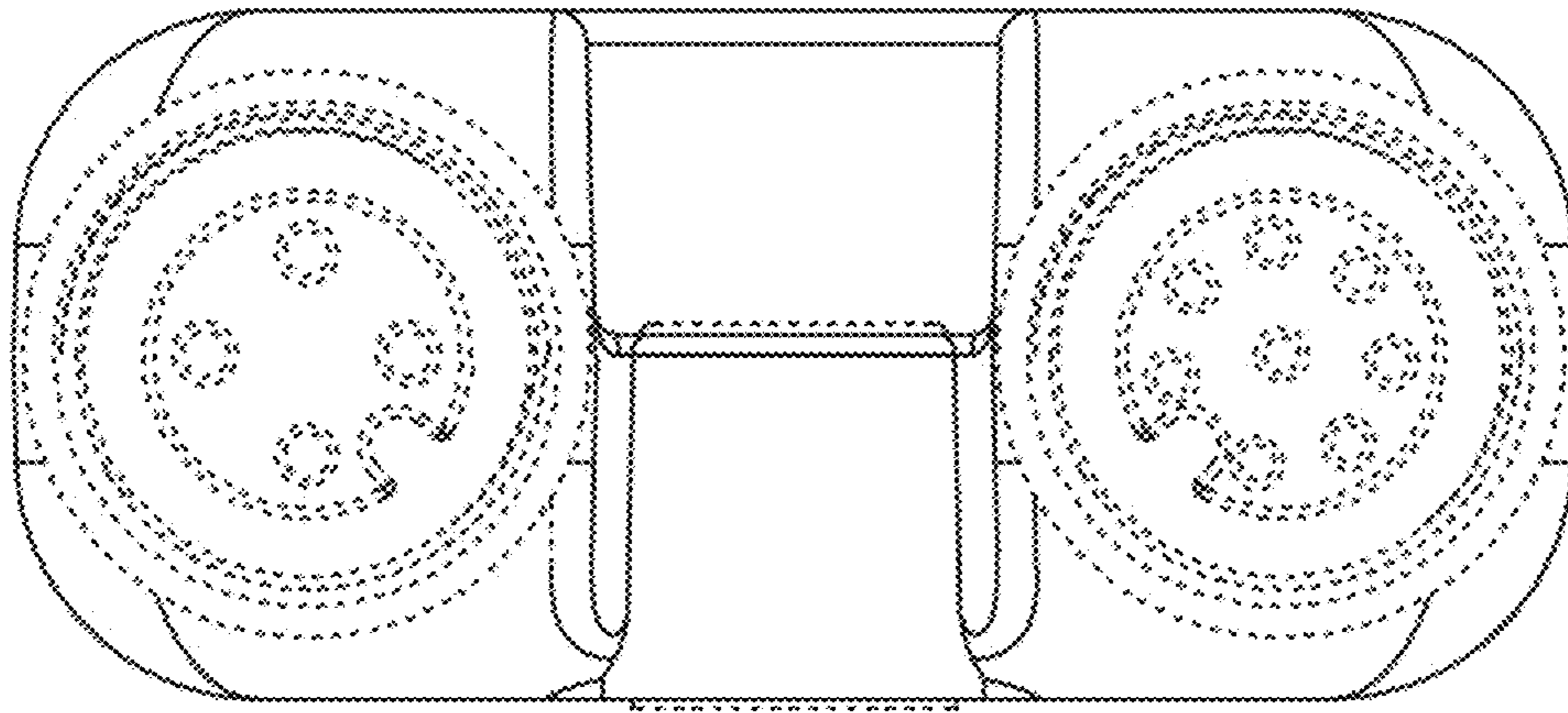


FIG. 11

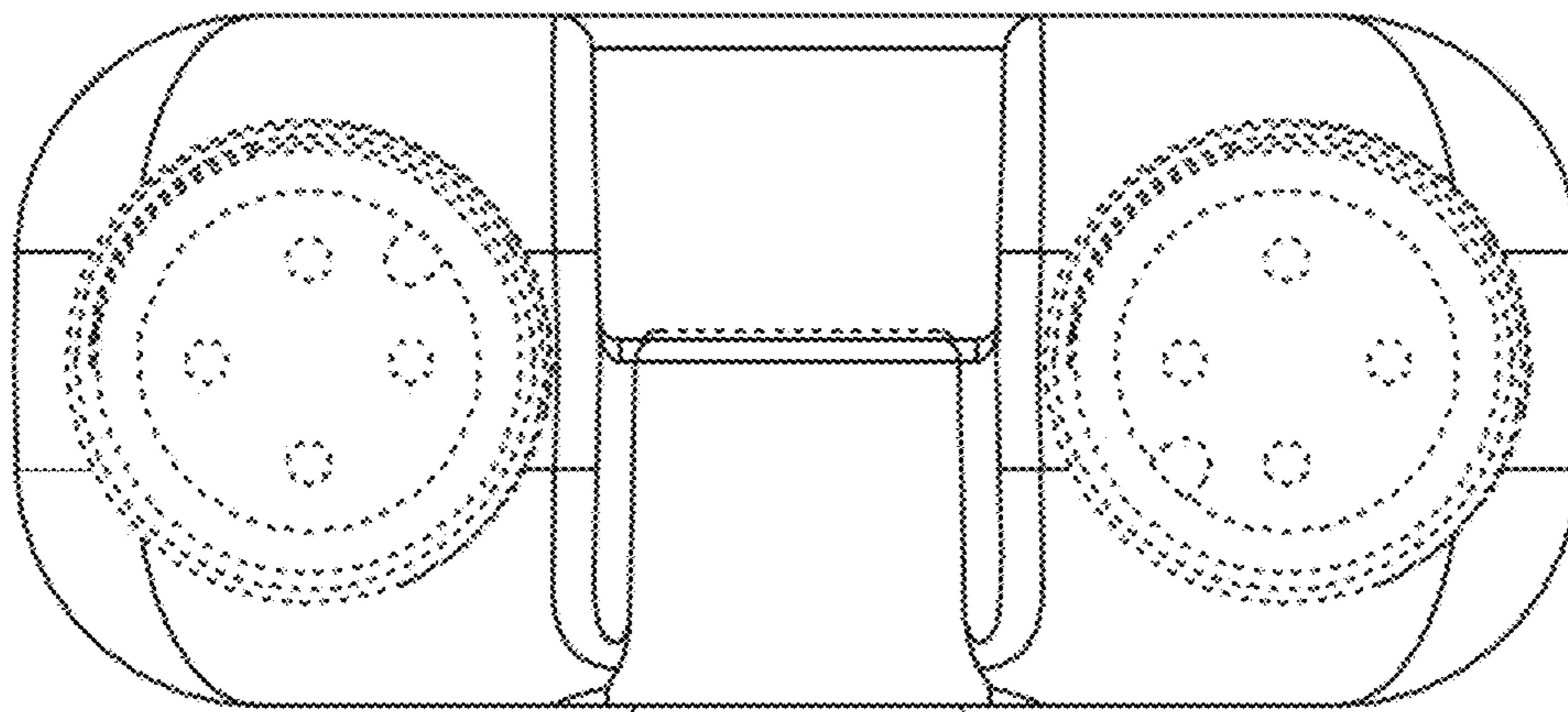


FIG. 12

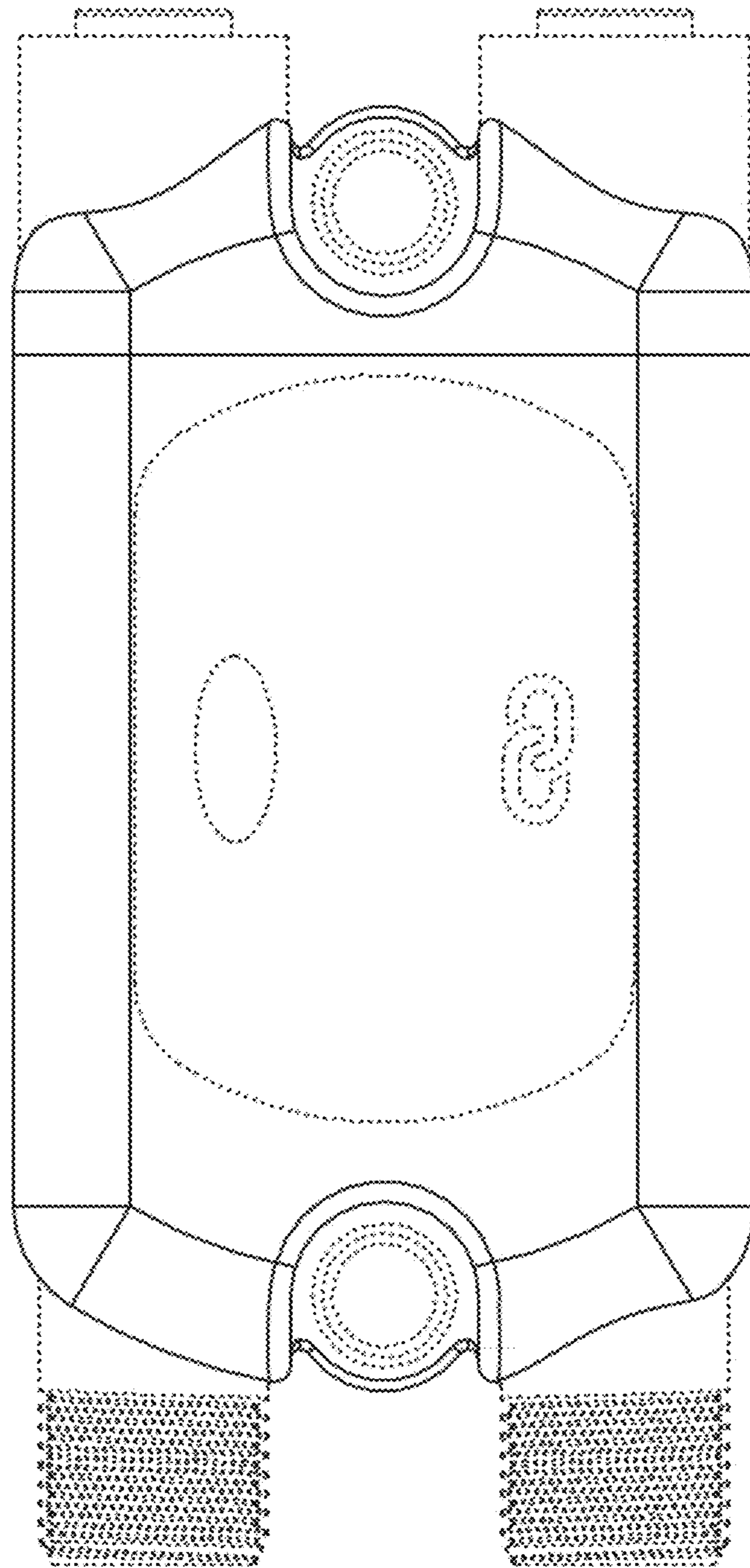


FIG. 13

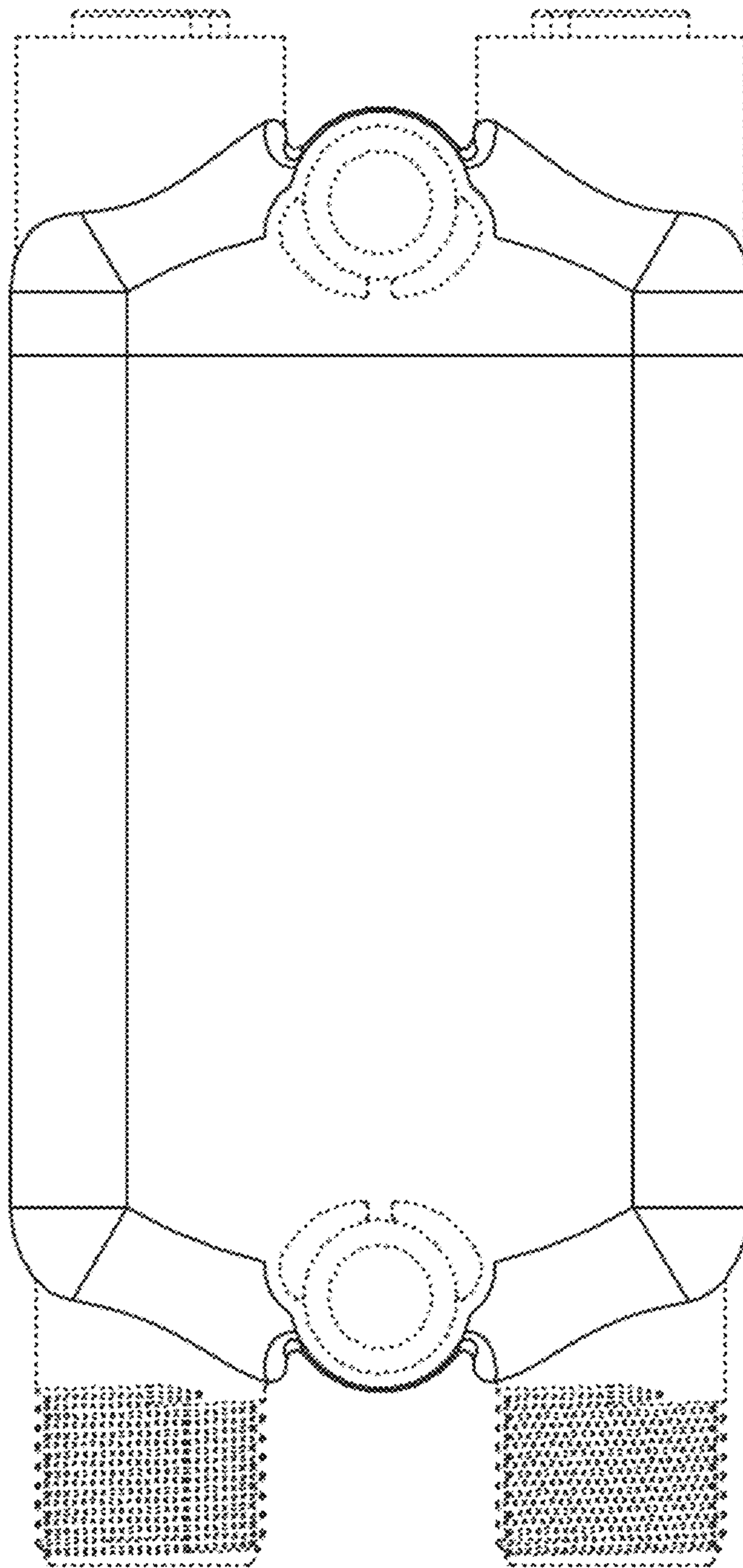


FIG. 14