



US00D817888S

(12) **United States Design Patent**  
**Yu**

(10) **Patent No.:** **US D817,888 S**  
(45) **Date of Patent:** **\*\* May 15, 2018**

(54) **ELECTRICAL SOCKET WITH COVER**

(71) Applicant: **NINGBO WELL ELECTRIC APPLANCE CO., LTD.**, Ningbo (CN)

(72) Inventor: **Guolin Yu**, Ningbo (CN)

(73) Assignee: **NINGBO WELL ELECTRIC APPLANCE CO., LTD.**, Ningbo (CN)

(\*\*) Term: **15 Years**

(21) Appl. No.: **29/601,529**

(22) Filed: **Apr. 24, 2017**

(51) **LOC (11) Cl.** ..... **13-03**

(52) **U.S. Cl.**  
USPC ..... **D13/139.1**

(58) **Field of Classification Search**  
USPC ..... D13/108, 110, 123, 133, 137.1–137.4,  
D13/138.1–138.2, 139.1–139.8, 152–154,  
D13/146, 147, 156, 158; D14/433;  
D8/350–353  
CPC ..... H01R 11/00; H01R 9/00; H01R 25/00;  
H01R 25/006; H01R 13/11; H01R 24/76  
See application file for complete search history.

(56) **References Cited**

**U.S. PATENT DOCUMENTS**

D514,935 S \* 2/2006 Sturk ..... D9/449  
D591,680 S \* 5/2009 Ho'o ..... D13/137.4  
D600,206 S \* 9/2009 Ledbetter ..... D13/110

D664,099 S \* 7/2012 Fukushima ..... D13/156  
D768,080 S \* 10/2016 Parks ..... D13/133  
D770,384 S \* 11/2016 Zetterqvist ..... D13/133  
D778,834 S \* 2/2017 Holweger ..... D13/110  
D783,535 S \* 4/2017 Dobler ..... D13/133  
2017/0288335 A1\* 10/2017 Hsu ..... G02B 6/36

\* cited by examiner

*Primary Examiner* — Rosemary K Tarcza

*Assistant Examiner* — Christy M Nemeth

(74) *Attorney, Agent, or Firm* — Hemisphere Law, PLLC;  
Zhigang Ma

(57) **CLAIM**

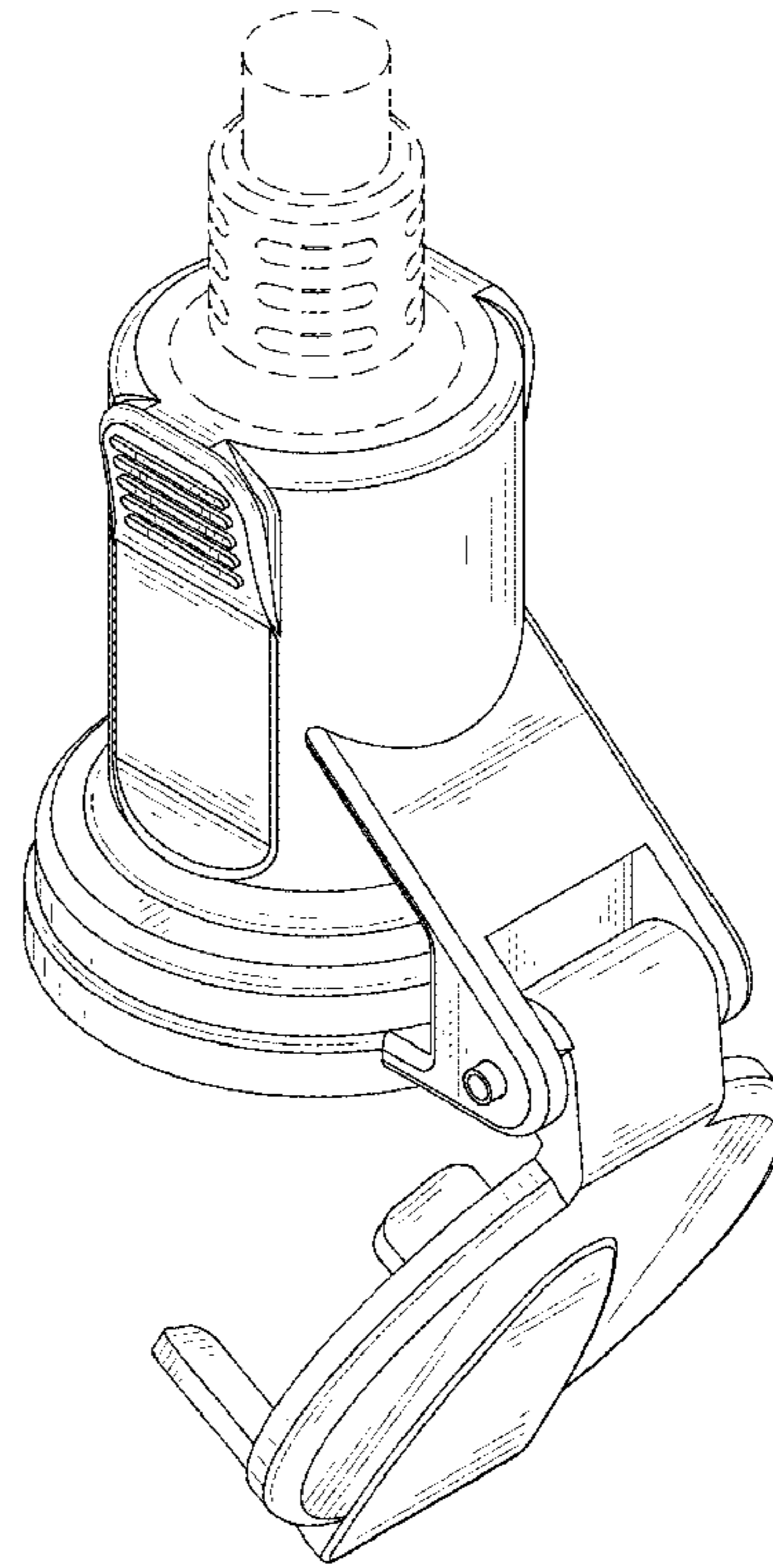
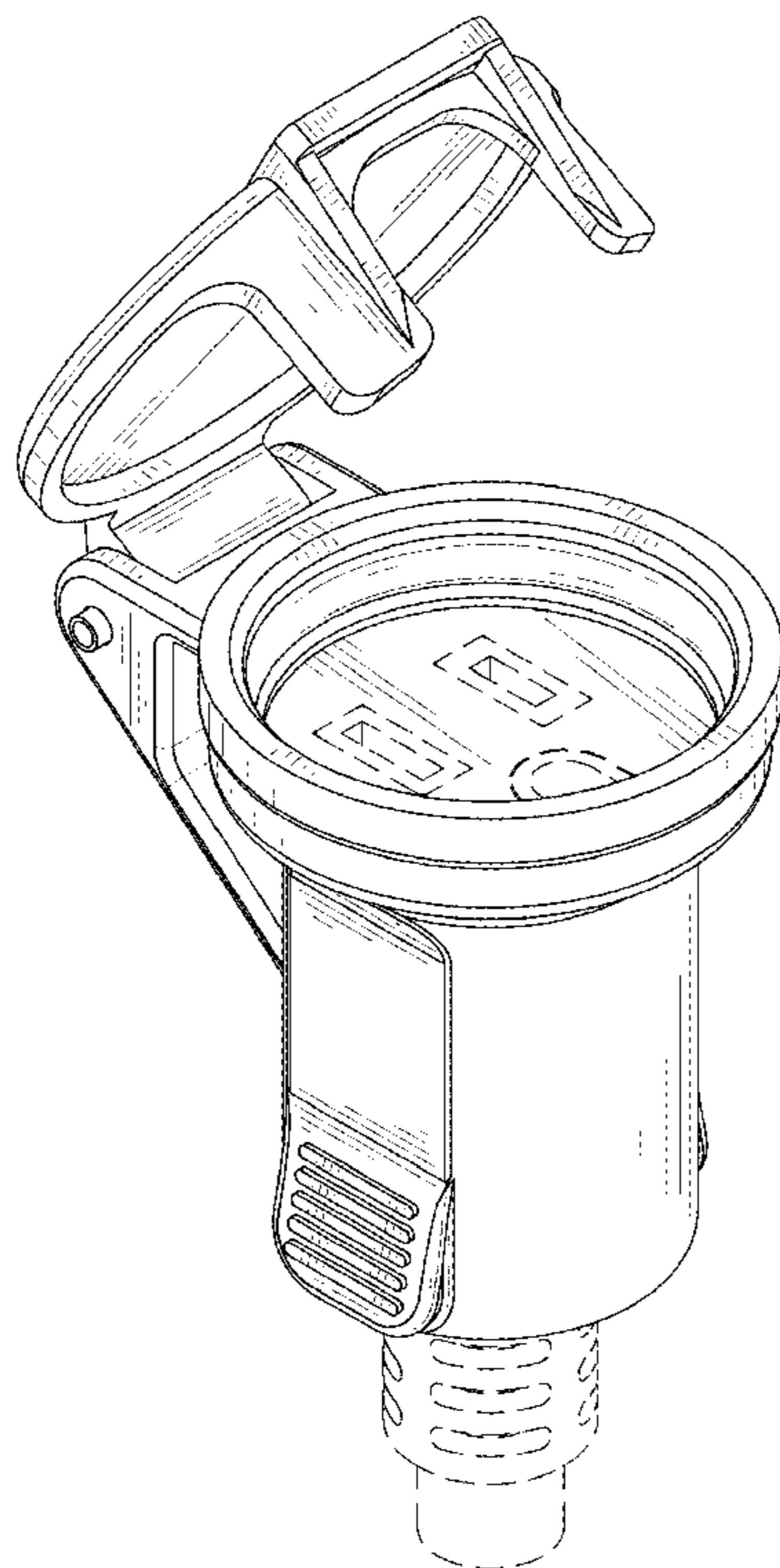
The ornamental design for an electrical socket with cover, as shown and described.

**DESCRIPTION**

FIG. 1 is a top, side perspective view of an electrical socket with cover, showing my new design;  
FIG. 2 is a bottom, side perspective view thereof;  
FIG. 3 is a front view thereof;  
FIG. 4 is a rear view thereof;  
FIG. 5 is a left side view thereof;  
FIG. 6 is a right side view thereof;  
FIG. 7 is a top plan view thereof; and,  
FIG. 8 is a bottom plan view thereof.

The broken lines shown in the drawings are included for the purpose of illustrating portions of the electrical socket with cover that form no part of the claimed design.

**1 Claim, 8 Drawing Sheets**



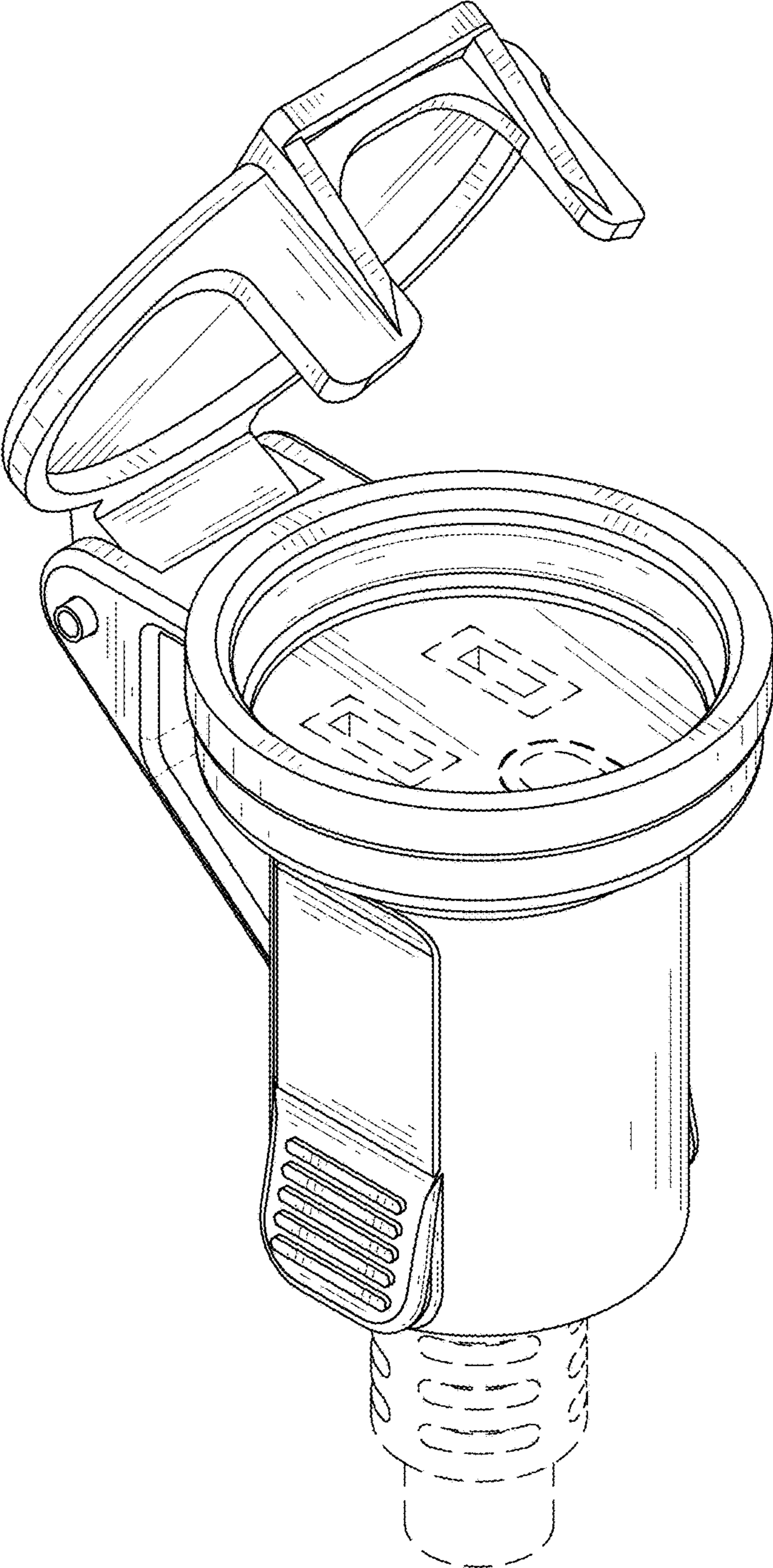


FIG. 1

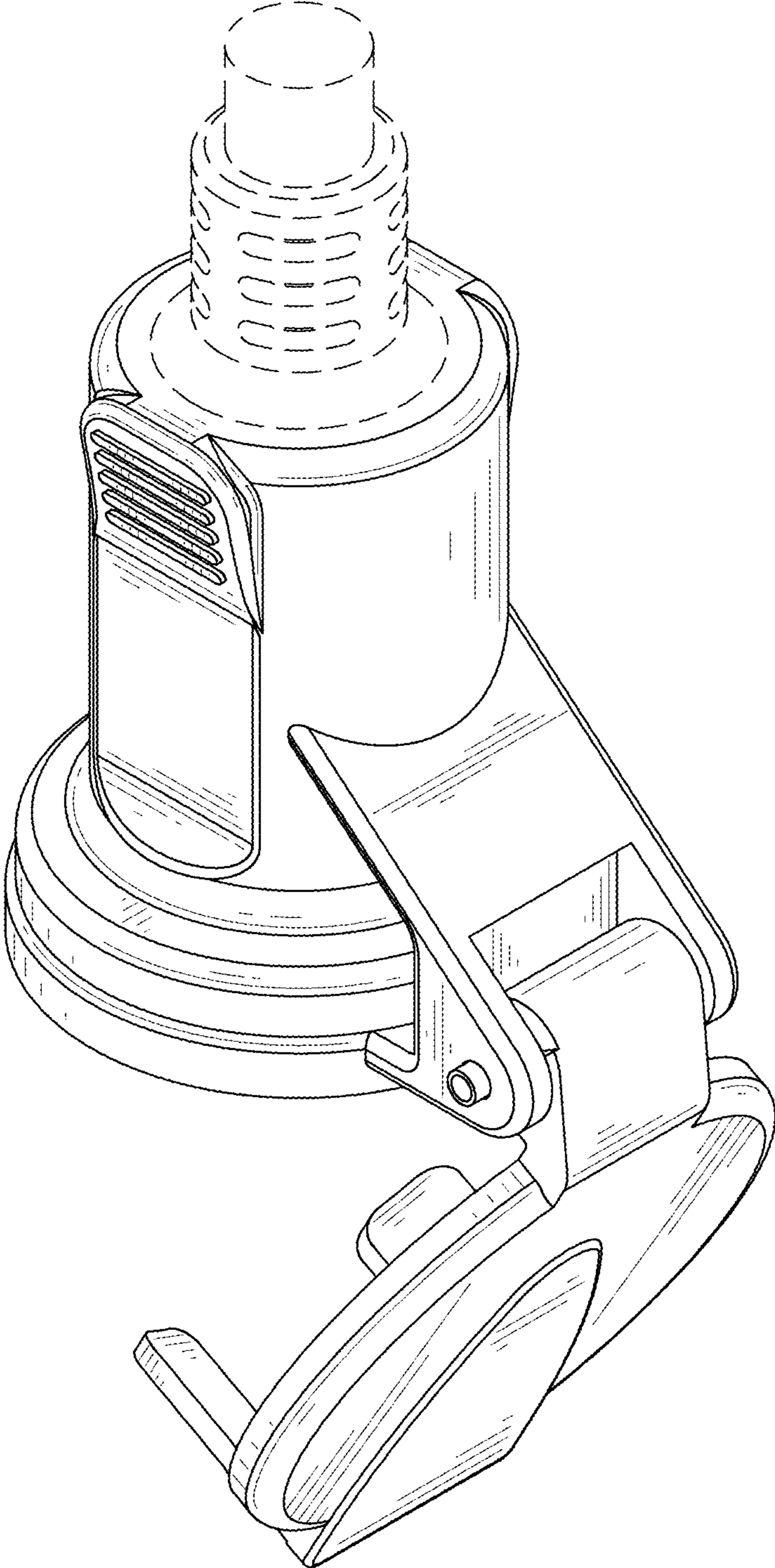


FIG. 2

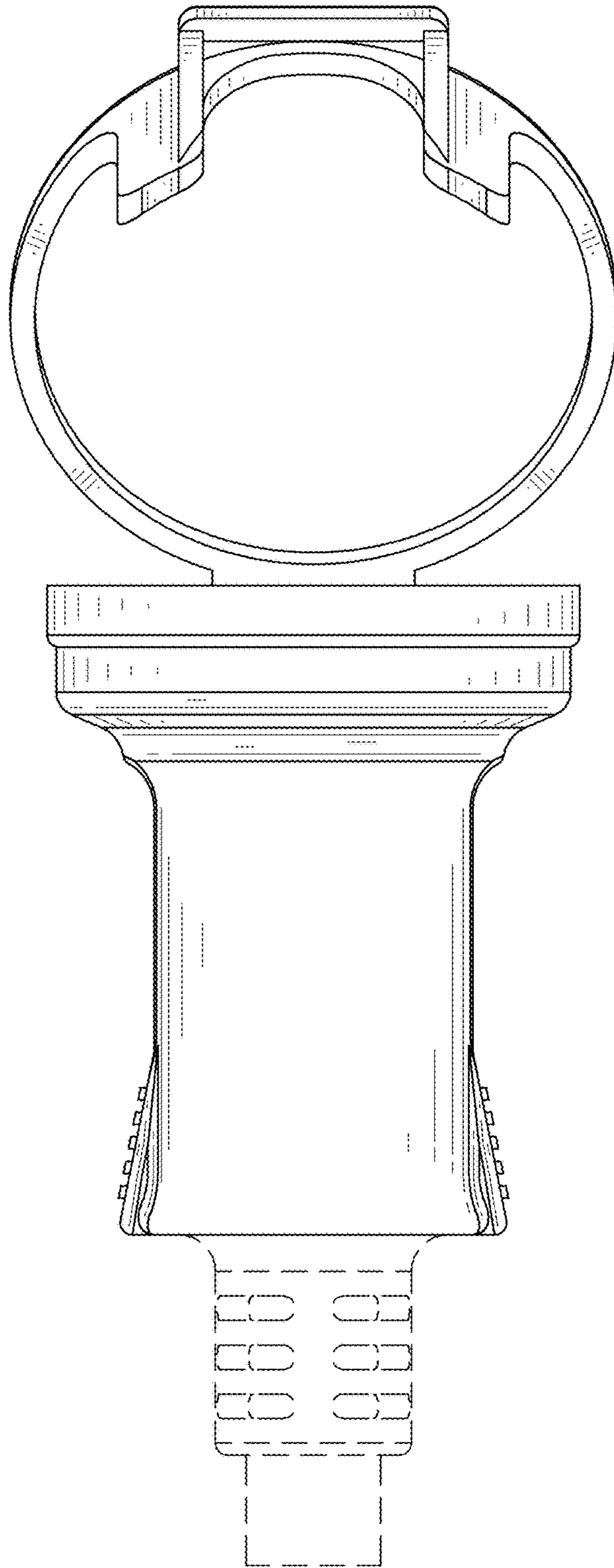


FIG. 3

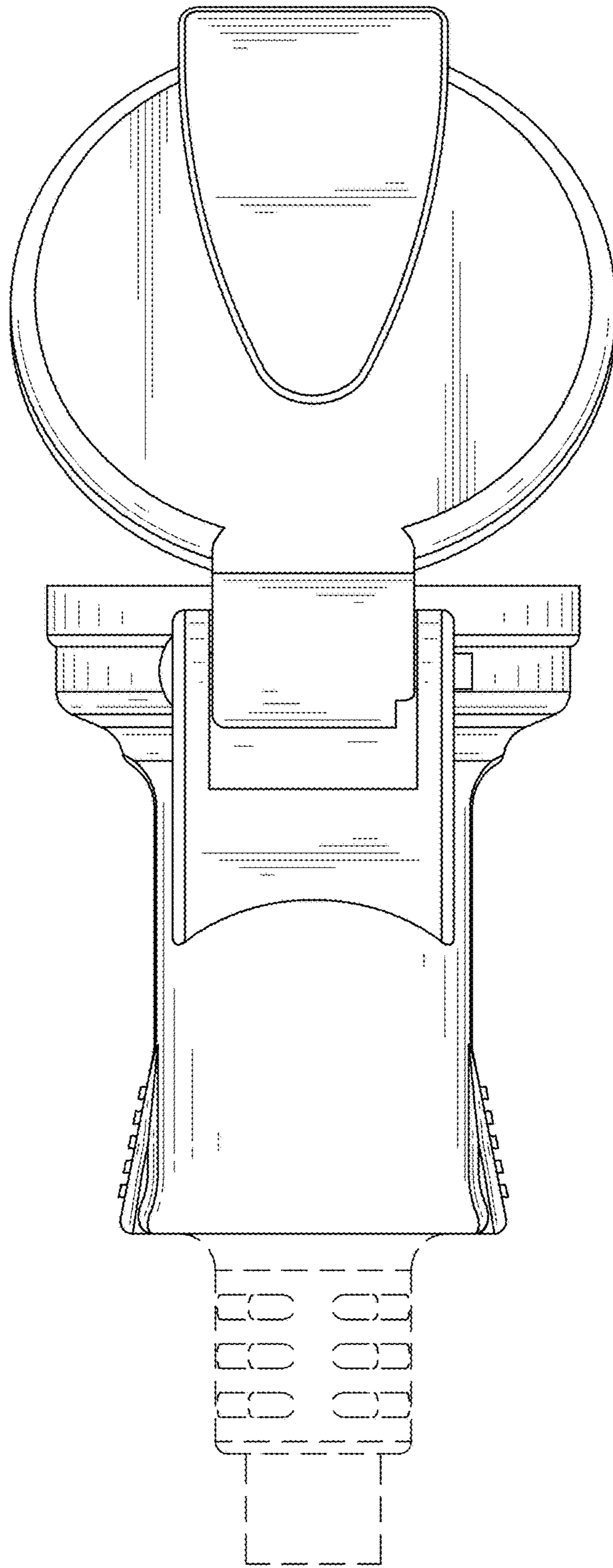


FIG. 4

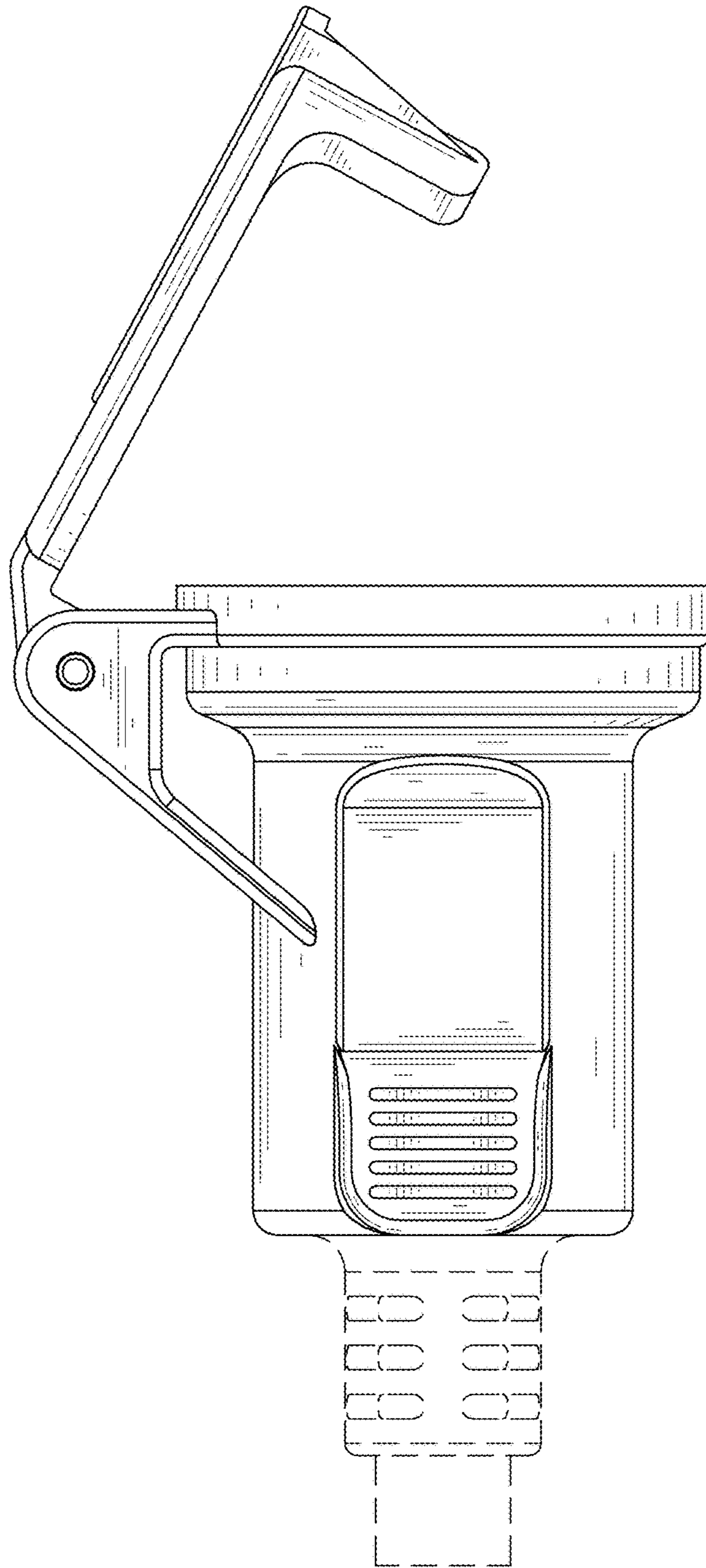


FIG. 5

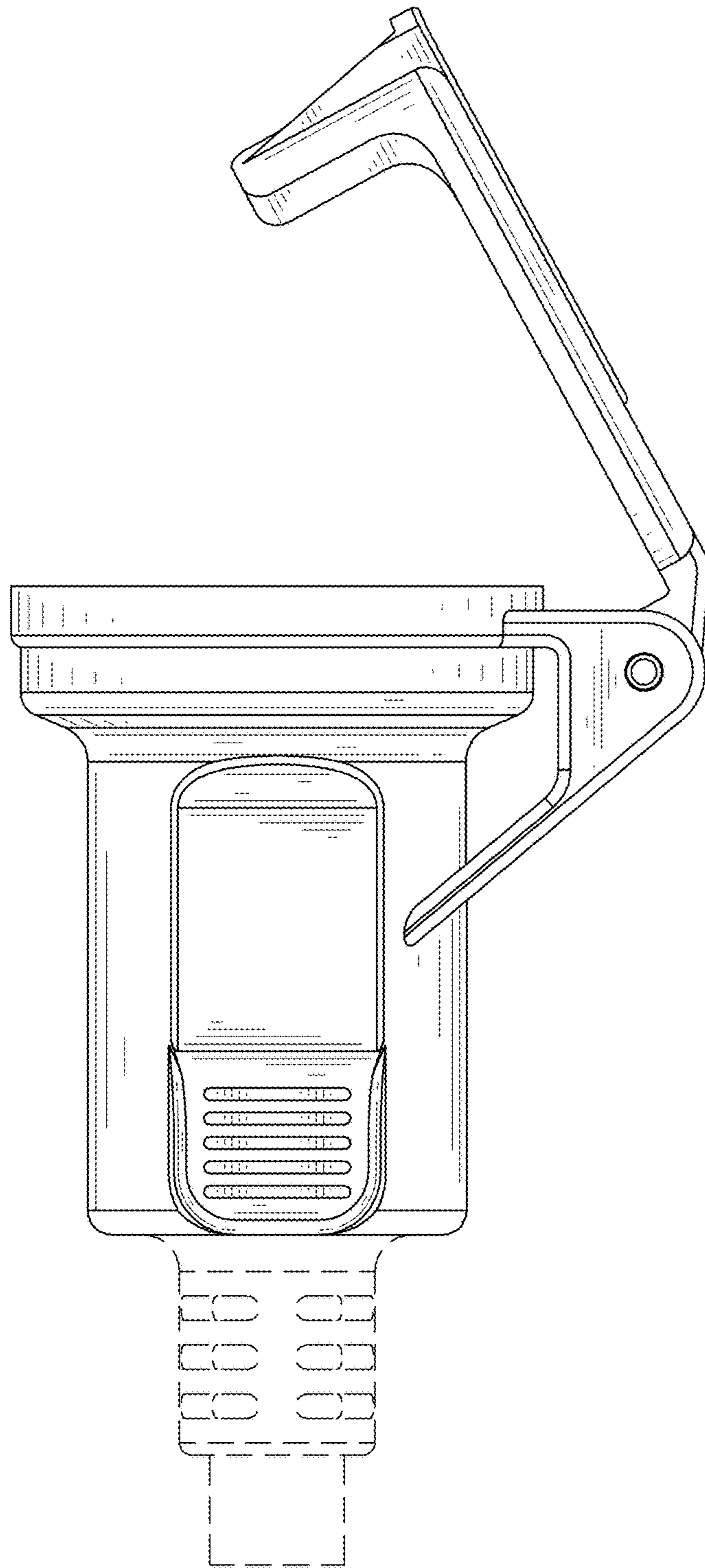


FIG. 6

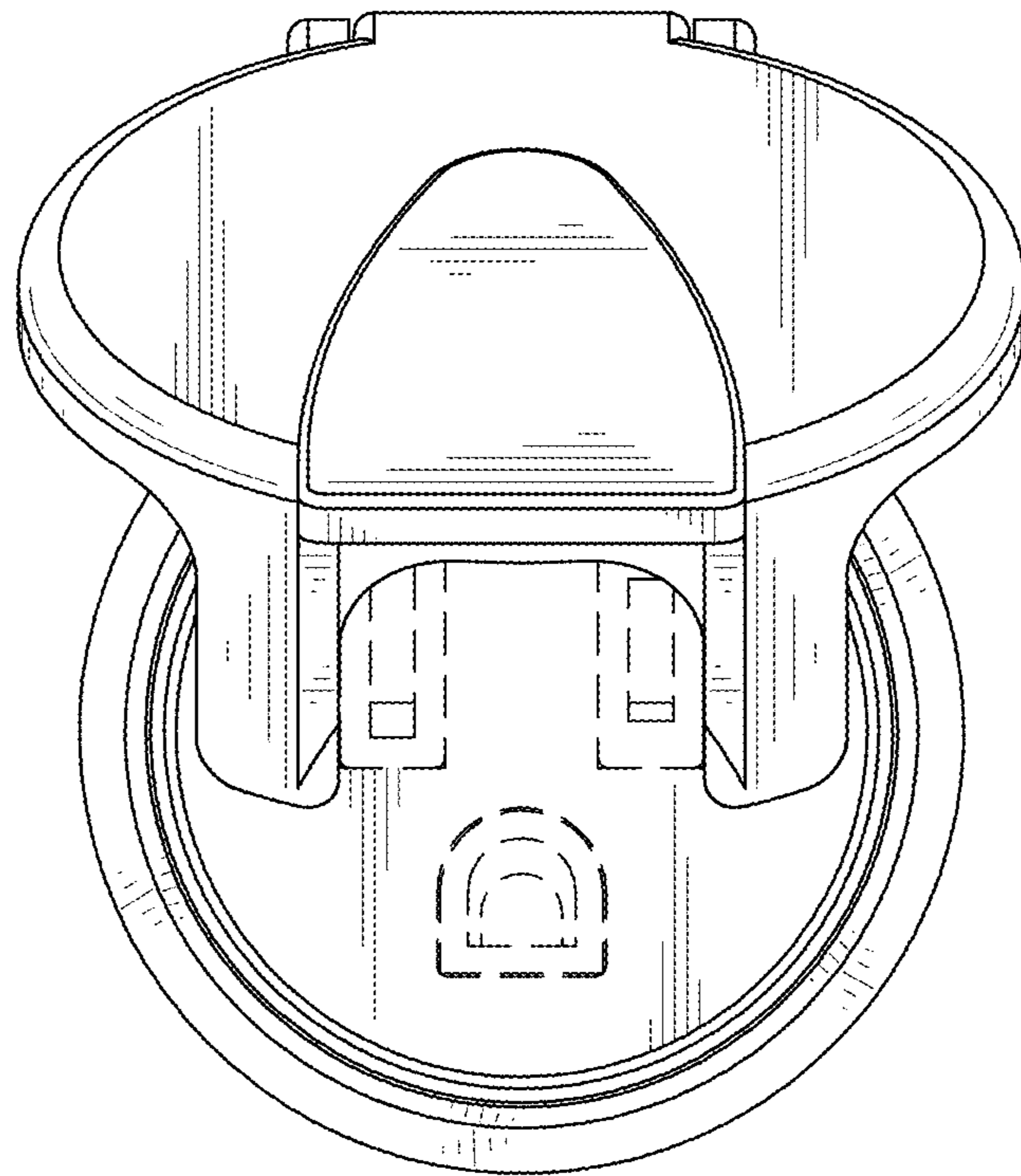


FIG. 7



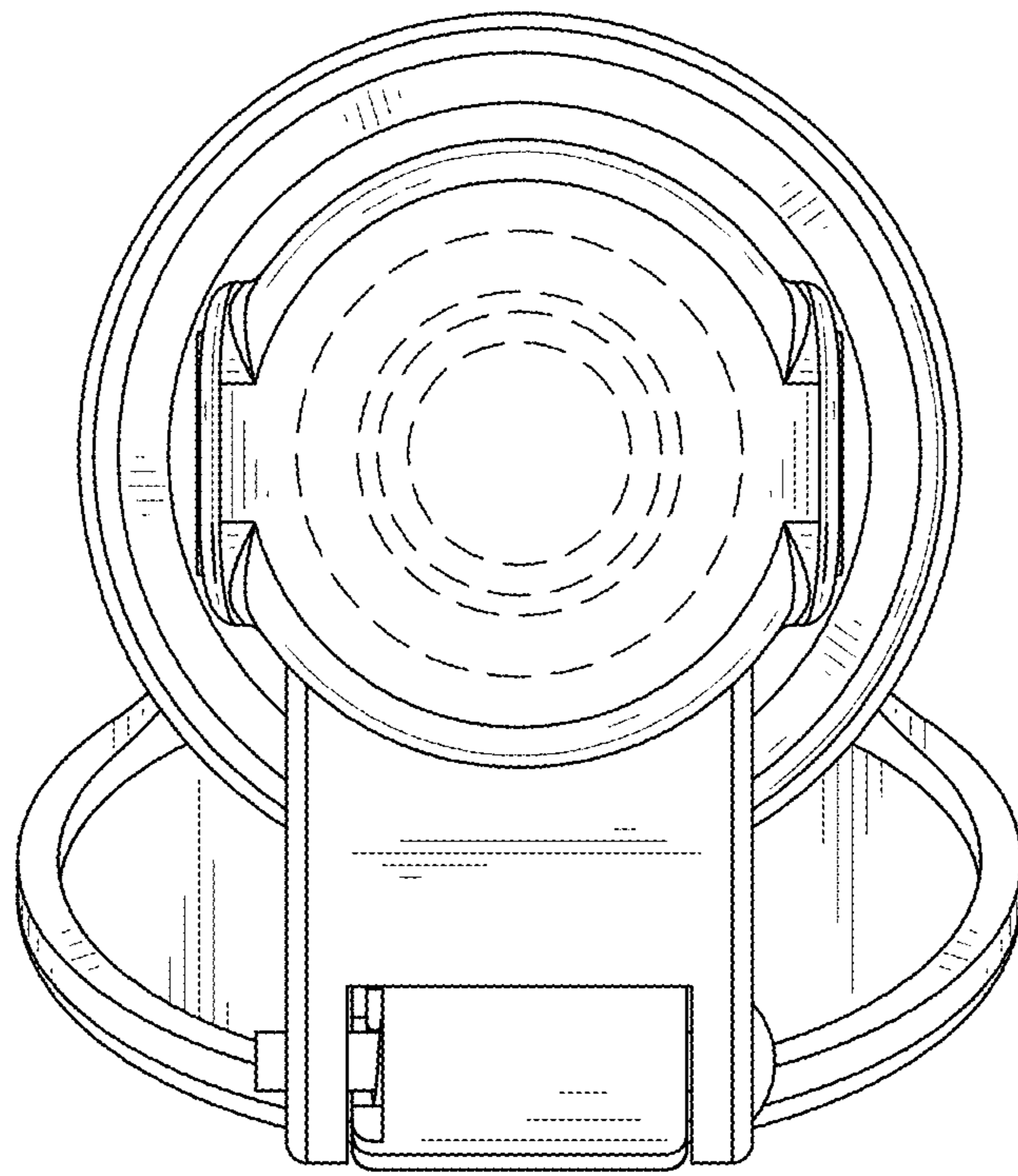


FIG. 8