



US00D817886S

(12) **United States Design Patent**
Yu

(10) **Patent No.:** **US D817,886 S**
(45) **Date of Patent:** **** May 15, 2018**

(54) **ELECTRICAL PLUG**

(71) Applicant: **NINGBO WELL ELECTRIC APPLANCE CO., LTD.**, Ningbo (CN)

(72) Inventor: **Guolin Yu**, Ningbo (CN)

(73) Assignee: **NINGBO WELL ELECTRIC APPLANCE CO., LTD.**, Ningbo (CN)

(**) Term: **15 Years**

(21) Appl. No.: **29/601,522**

(22) Filed: **Apr. 24, 2017**

(51) **LOC (11) Cl.** **13-03**

(52) **U.S. Cl.**
USPC **D13/138.2**

(58) **Field of Classification Search**
USPC D13/108, 110, 123, 133, 137.1–137.4,
D13/138.1–138.2, 139.1–139.8, 152–154,
D13/146, 147, 156, 158; D14/433;
D8/350–353
CPC H01R 11/00; H01R 9/00; H01R 25/00;
H01R 25/006; H01R 13/11; H01R 24/76
See application file for complete search history.

(56) **References Cited**

U.S. PATENT DOCUMENTS

3,943,310 A * 3/1976 Gertz H01H 9/32
200/51 R
D263,699 S * 4/1982 Vest D13/138.2
D555,597 S * 11/2007 Phung D13/133

D625,690 S * 10/2010 Chan D13/144
D650,335 S * 12/2011 Akahori D13/138.2
D651,976 S * 1/2012 Akahori D13/138.2
D664,099 S * 7/2012 Fukushima D13/156
D770,384 S * 11/2016 Zetterqvist D13/133
D795,811 S * 8/2017 Kawamoto D13/138.2
2017/0288335 A1 * 10/2017 Hsu G02B 6/36

* cited by examiner

Primary Examiner — Rosemary K Tarcza

Assistant Examiner — Christy M Nemeth

(74) *Attorney, Agent, or Firm* — Hemisphere Law, PLLC;
Zhigang Ma

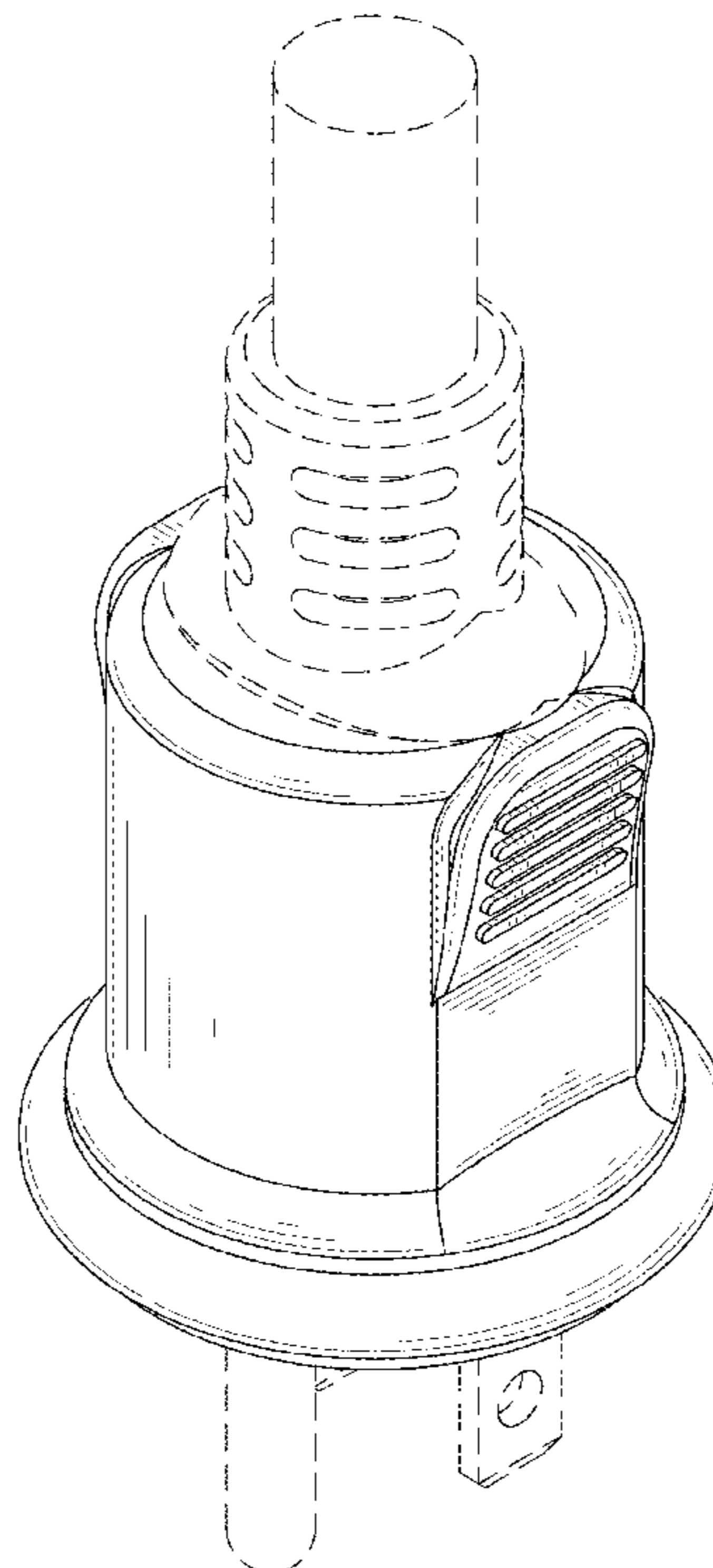
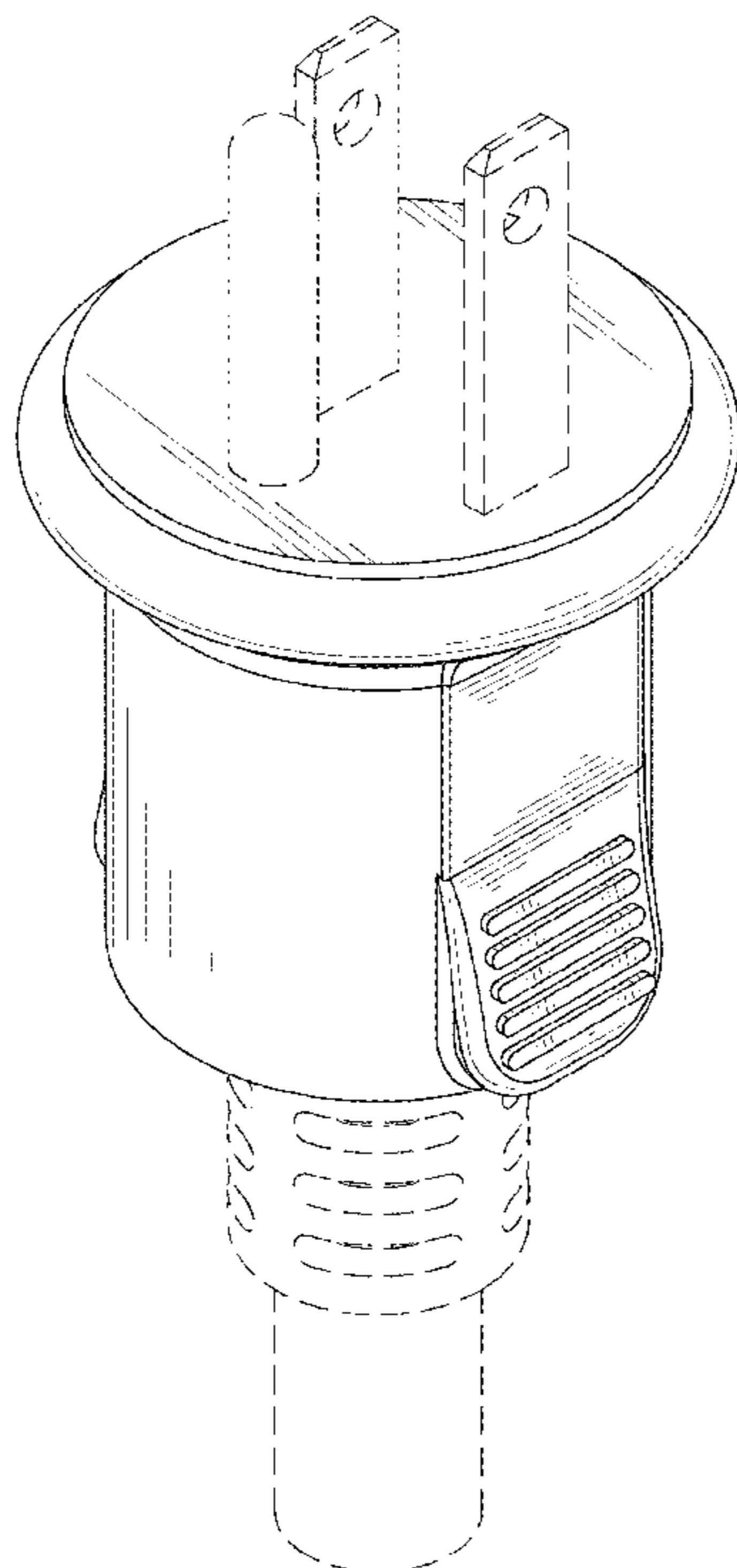
(57) **CLAIM**

The ornamental design for an electrical plug, as shown and described.

DESCRIPTION

FIG. 1 is a top, side perspective view of an electrical plug, showing my new design;
FIG. 2 is a bottom, side perspective view thereof;
FIG. 3 is a front view thereof;
FIG. 4 is a rear view thereof;
FIG. 5 is a left side view thereof;
FIG. 6 is a right side view thereof;
FIG. 7 is a top plan view thereof; and,
FIG. 8 is a bottom plan view thereof.
The broken lines shown in the drawings are included for the purpose of illustrating portions of the electrical plug that form no part of the claimed design.

1 Claim, 8 Drawing Sheets



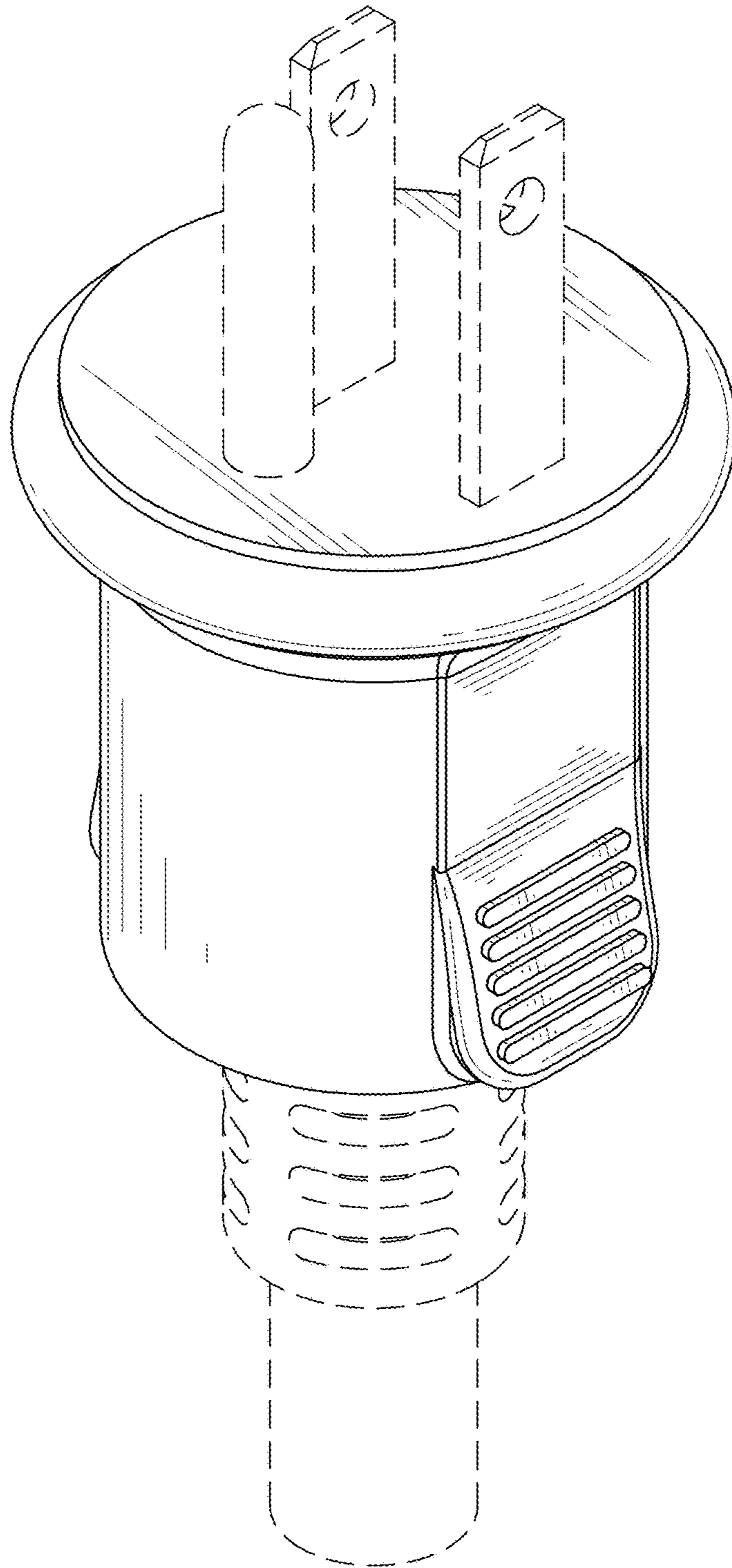


FIG. 1

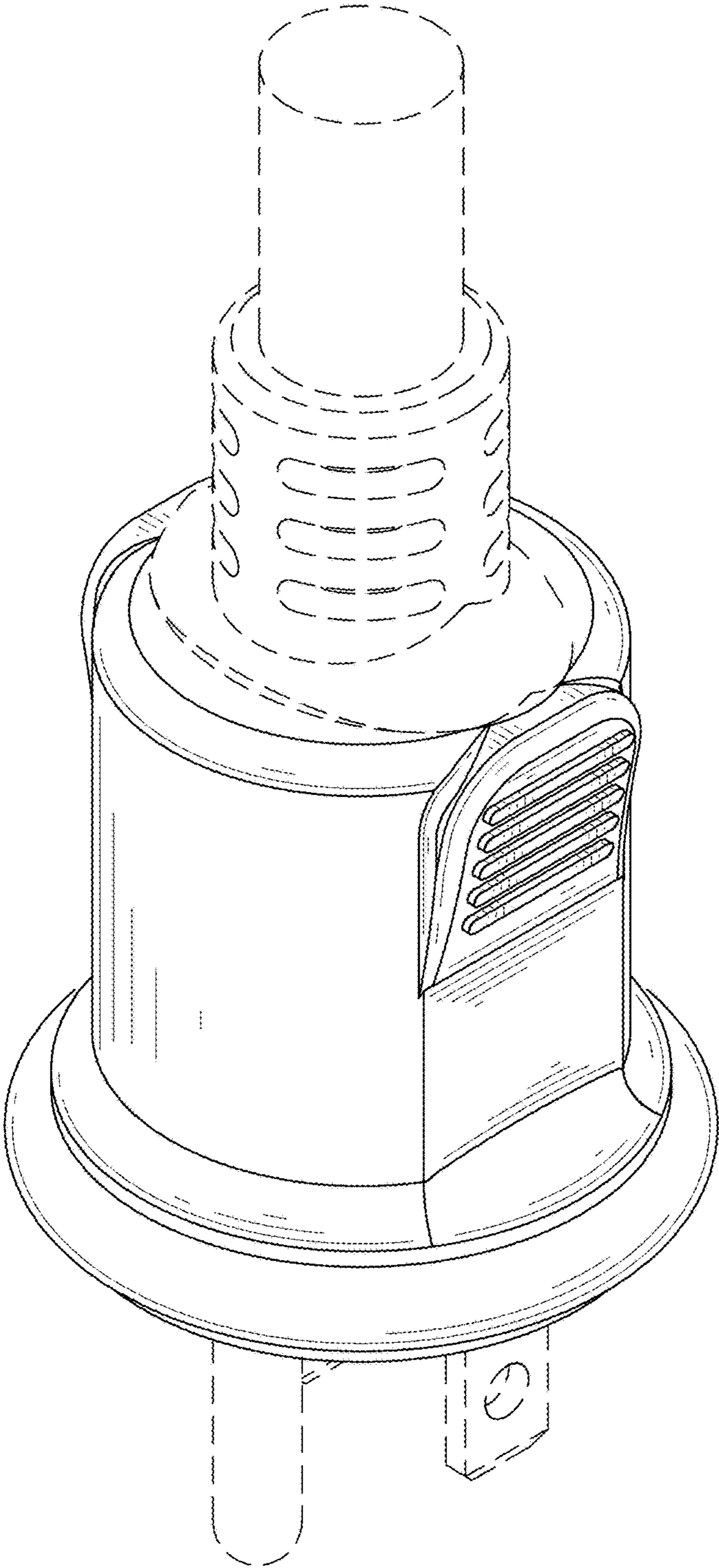


FIG. 2

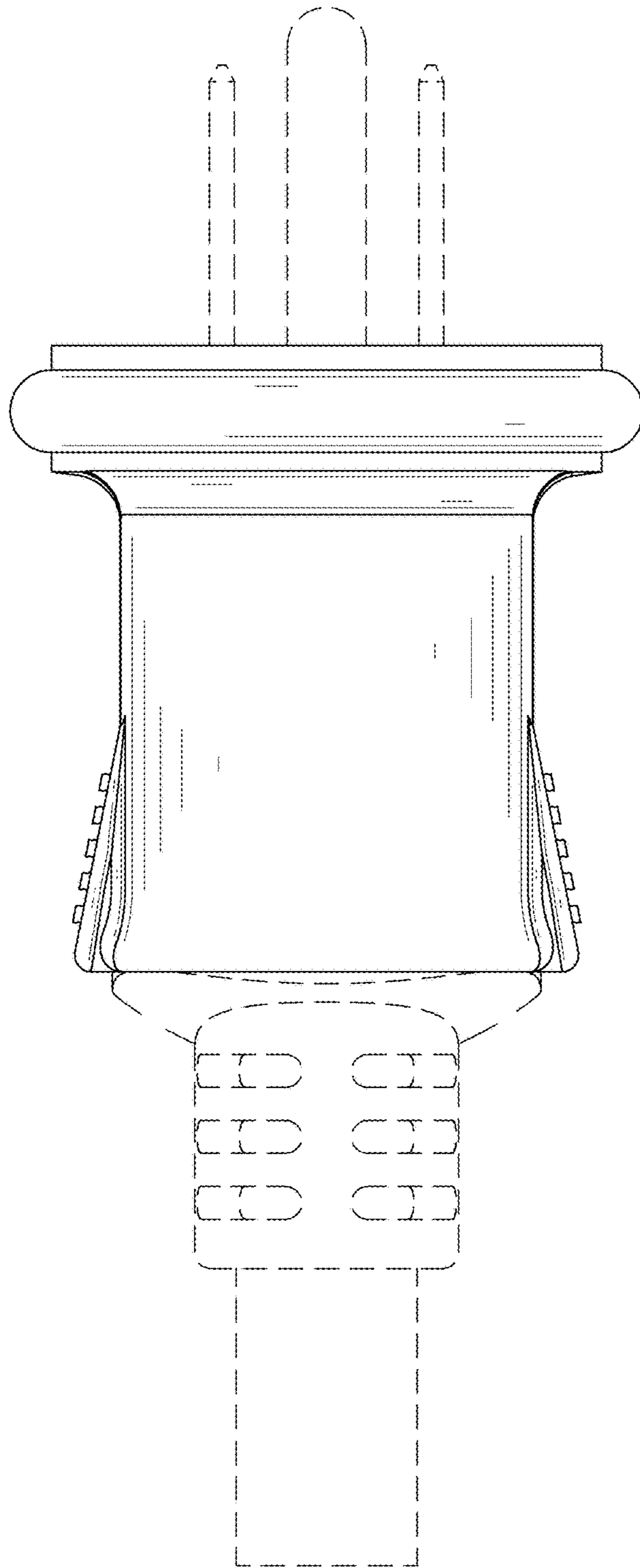


FIG. 3

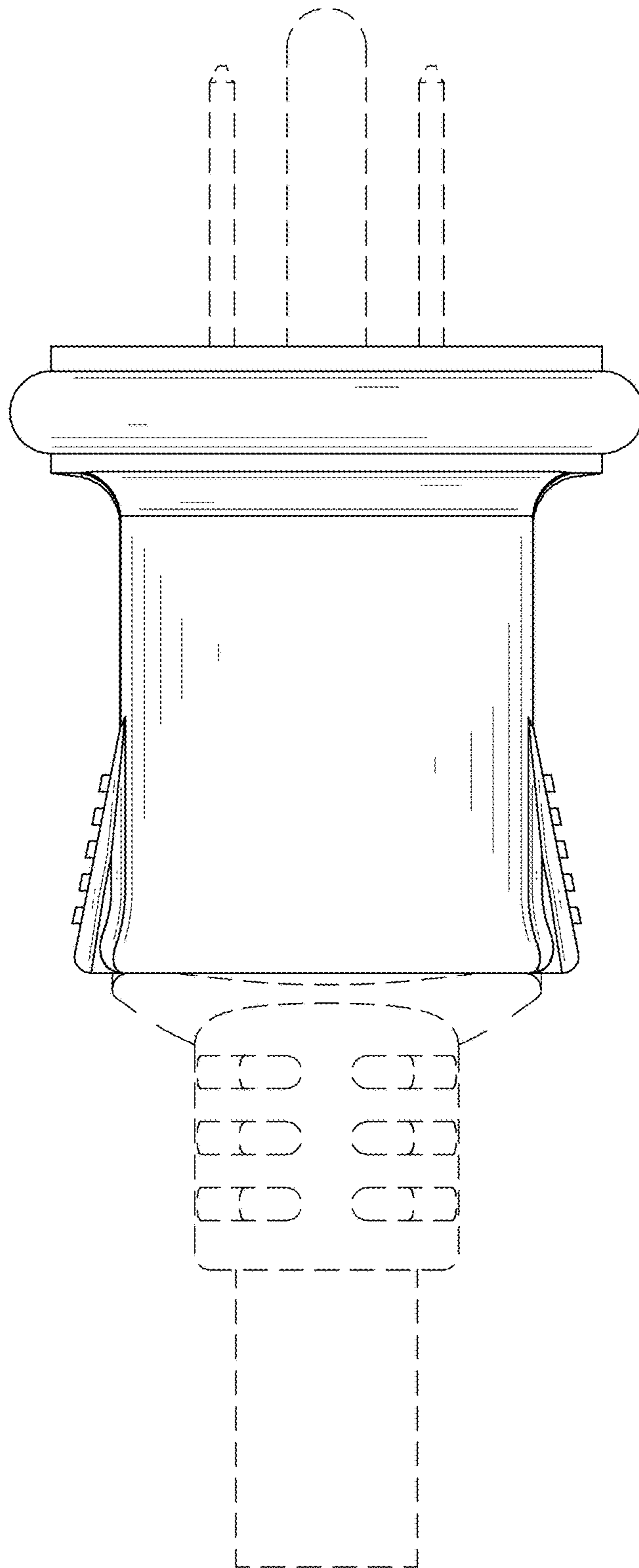


FIG. 4

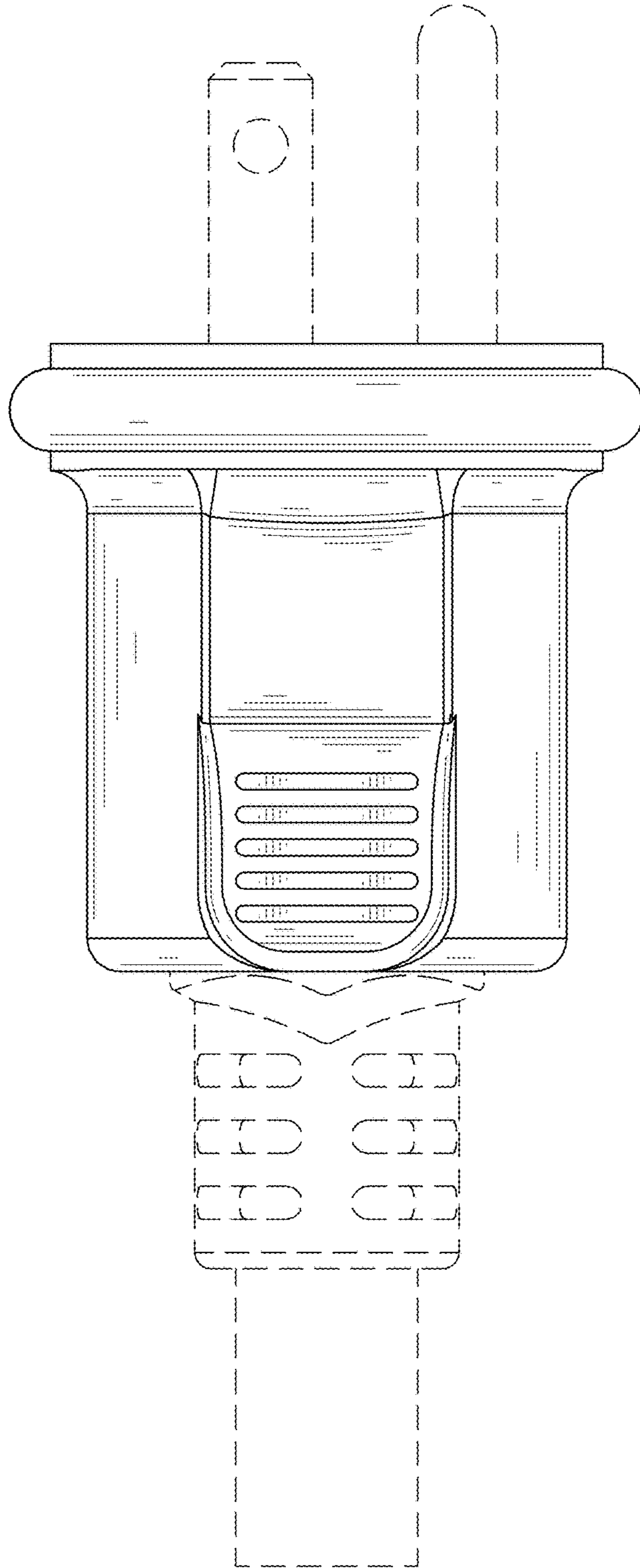


FIG. 5

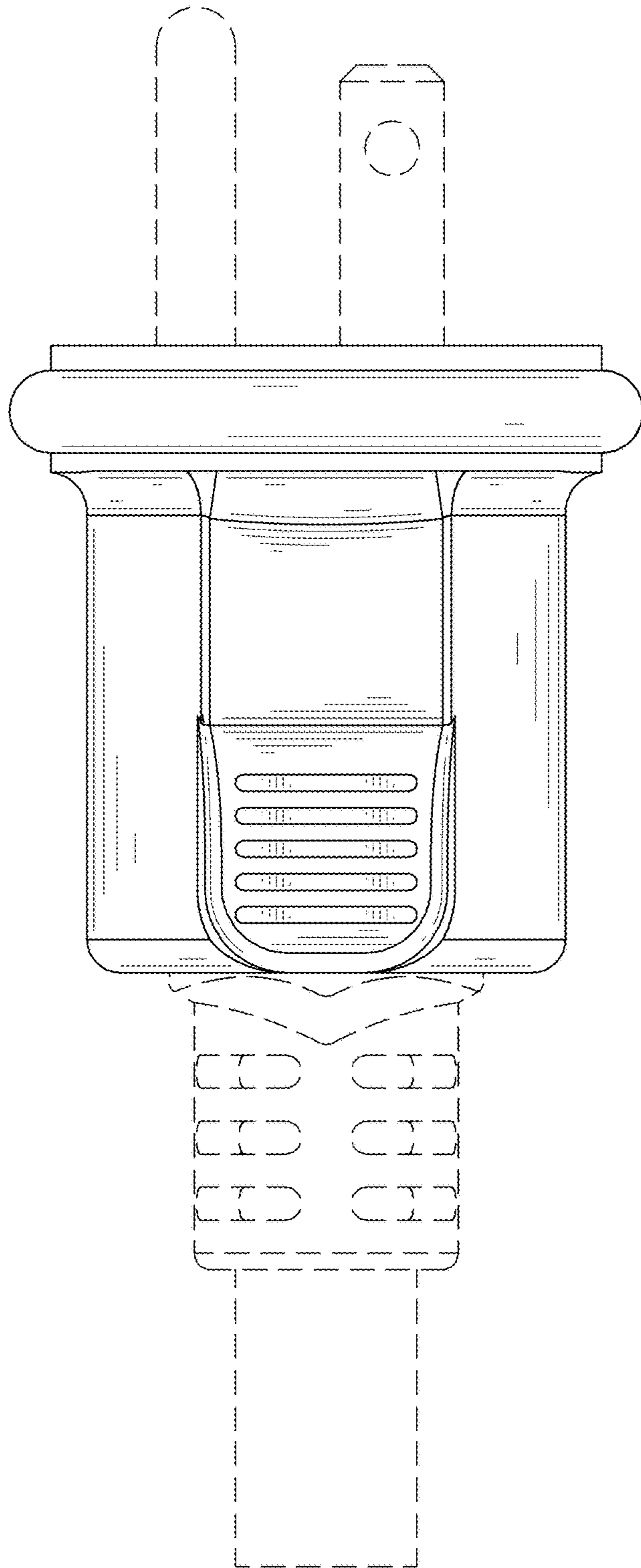


FIG. 6

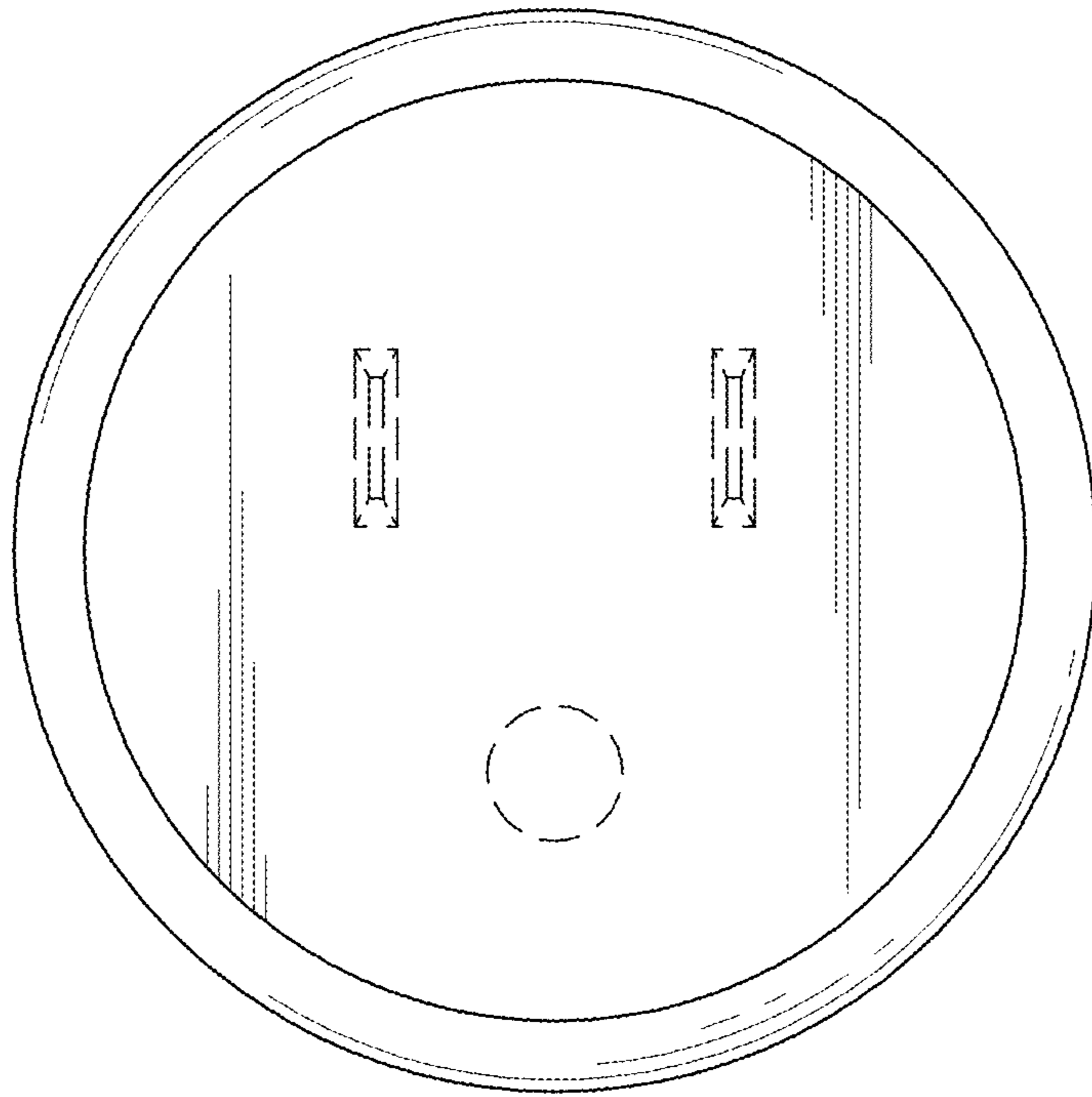


FIG. 7

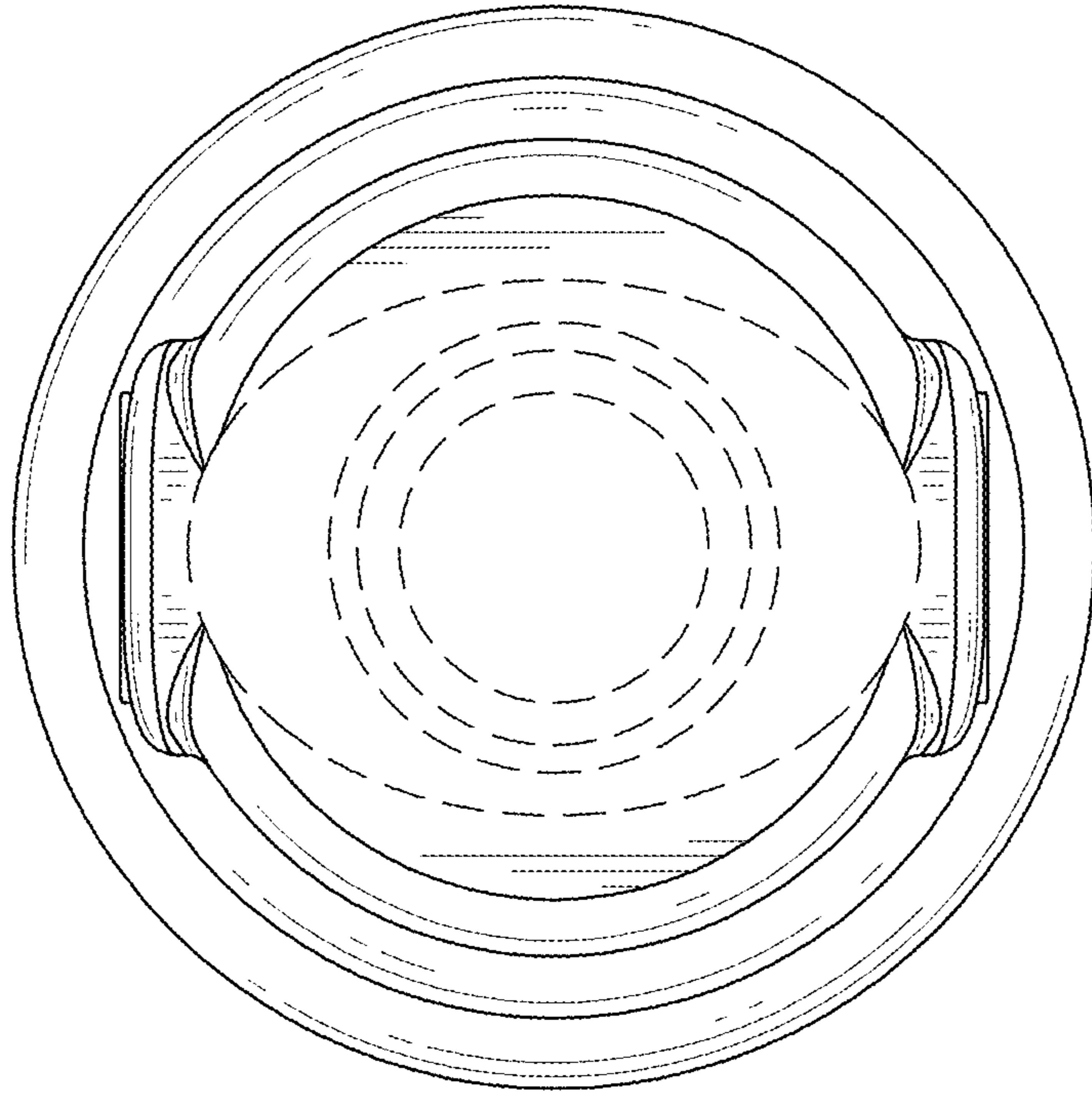


FIG. 8