



US00D817885S

(12) **United States Design Patent** (10) **Patent No.:** **US D817,885 S**
Salas et al. (45) **Date of Patent:** **** *May 15, 2018**

(54) **ELECTRICAL OUTLET**
(71) Applicant: **EATON CORPORATION**, Cleveland, OH (US)
(72) Inventors: **Luis F. Salas**, Fayetteville, GA (US); **Oscar L. Neundorfer**, Senoia, GA (US); **Saivaraprasad Murahari**, Peachtree City, GA (US)
(73) Assignee: **EATON INTELLIGENT POWER LIMITED**, Dublin (IE)

D562,261 S * 2/2008 Takach D13/162
D572,195 S * 7/2008 Lin D13/133
7,427,714 B1 * 9/2008 Lammens, Jr. H02G 3/088
174/53
D599,190 S * 9/2009 Huang D8/354
D628,539 S * 12/2010 Tezak D13/152
D646,954 S * 10/2011 Azelton D8/350
D656,151 S * 3/2012 Maus D14/385
D660,236 S * 5/2012 Liang-Hsu D13/139.1
D662,885 S * 7/2012 Hoffman D13/139.1
D666,158 S * 8/2012 Auguste D13/156
D676,387 S * 2/2013 Kennedy D13/137.2

(Continued)

Primary Examiner — Rhea Shields

(*) Notice: This patent is subject to a terminal disclaimer.

(74) *Attorney, Agent, or Firm* — Eckert Seamans

(**) Term: **15 Years**

(57) **CLAIM**

(21) Appl. No.: **29/547,575**

The ornamental design for an electrical outlet, as shown and described.

(22) Filed: **Dec. 4, 2015**

DESCRIPTION

(51) **LOC (11) Cl.** **13-03**

(52) **U.S. Cl.**
USPC **D13/137.2**

(58) **Field of Classification Search**
USPC D13/137.1–137.2, 138.1, 138.2, 139.6, D13/152, 184, 108, 177, 156, 154, 119, D13/103, 162, 133, 110; D8/349, 350, D8/354; D14/240, 383, 239, 385; 174/53
CPC H02H 13/16; H02G 3/088
See application file for complete search history.

FIG. 1 is a left perspective view of the electrical outlet; FIG. 2 an enlargement of the indicated portion of FIG. 1; FIG. 3 is a right perspective view of the electrical outlet; FIG. 4 an enlargement of the indicated portion of FIG. 3; FIG. 5 is a front elevational view of the electrical outlet; FIG. 6 an enlargement of the indicated portion of FIG. 5; FIG. 7 is a left side elevational view of the electrical outlet; FIG. 8 is a right side elevational view of the electrical outlet; FIG. 9 is a rear elevational view of the electrical outlet; FIG. 10 is a top plan view of the electrical outlet; and, FIG. 11 is a bottom plan view of the electrical outlet.

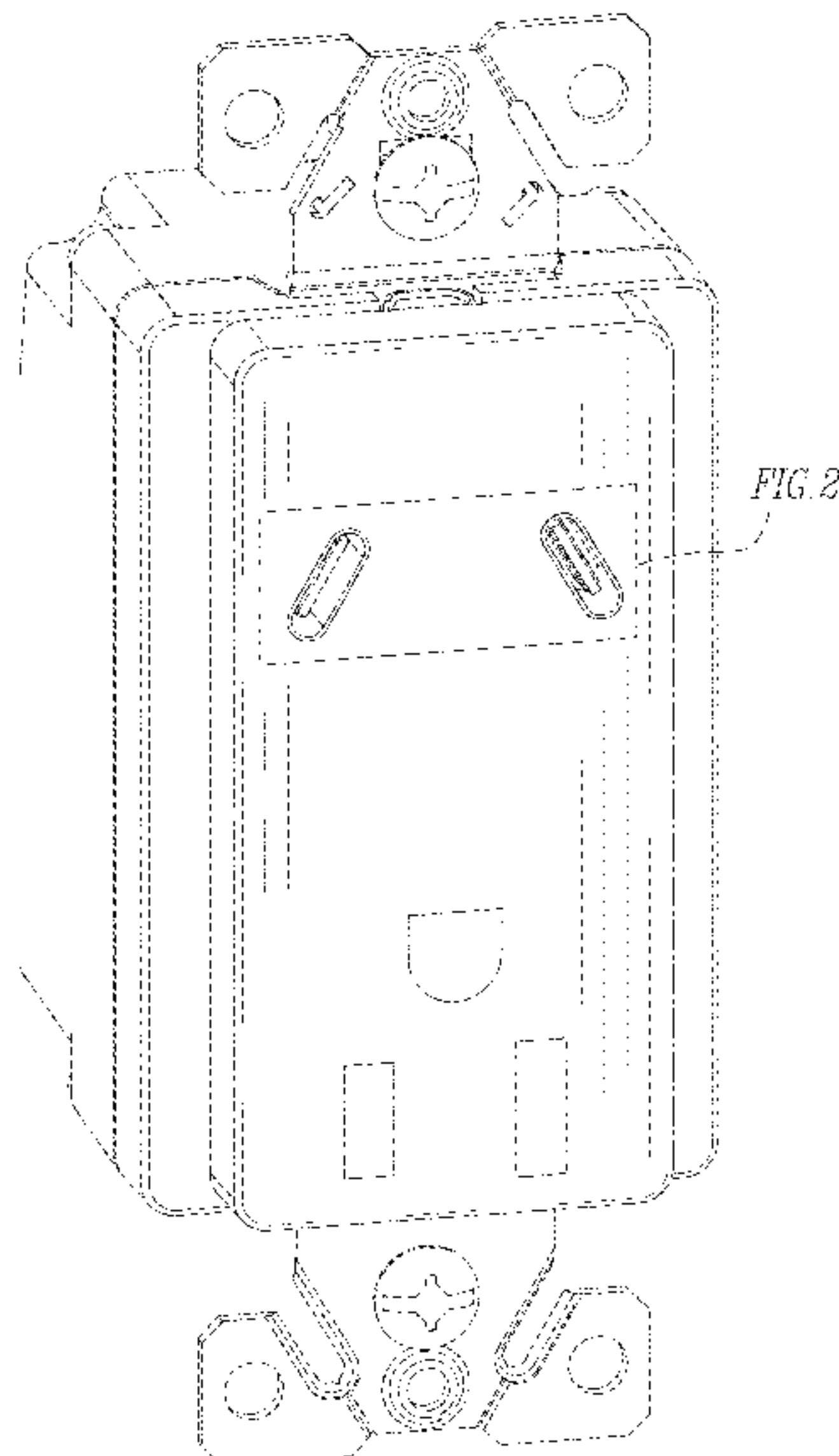
In the drawings, the dot-dash-dot broken lines are for the purpose of illustrating boundaries between the claimed design and environment. The evenly spaced broken lines are for the purpose of illustrating environment only. No subject matter shown in either the dot-dash-dot broken lines or evenly spaced broken lines forms a part of the claimed design.

(56) **References Cited**

U.S. PATENT DOCUMENTS

D427,887 S * 7/2000 Leopold D13/154
D499,070 S * 11/2004 Lavington D13/119
D500,755 S * 1/2005 Chung D14/240
D509,214 S * 9/2005 Chung D14/240
D517,988 S * 3/2006 Ihde D13/103
D558,676 S * 1/2008 Fort D13/139.3

1 Claim, 11 Drawing Sheets



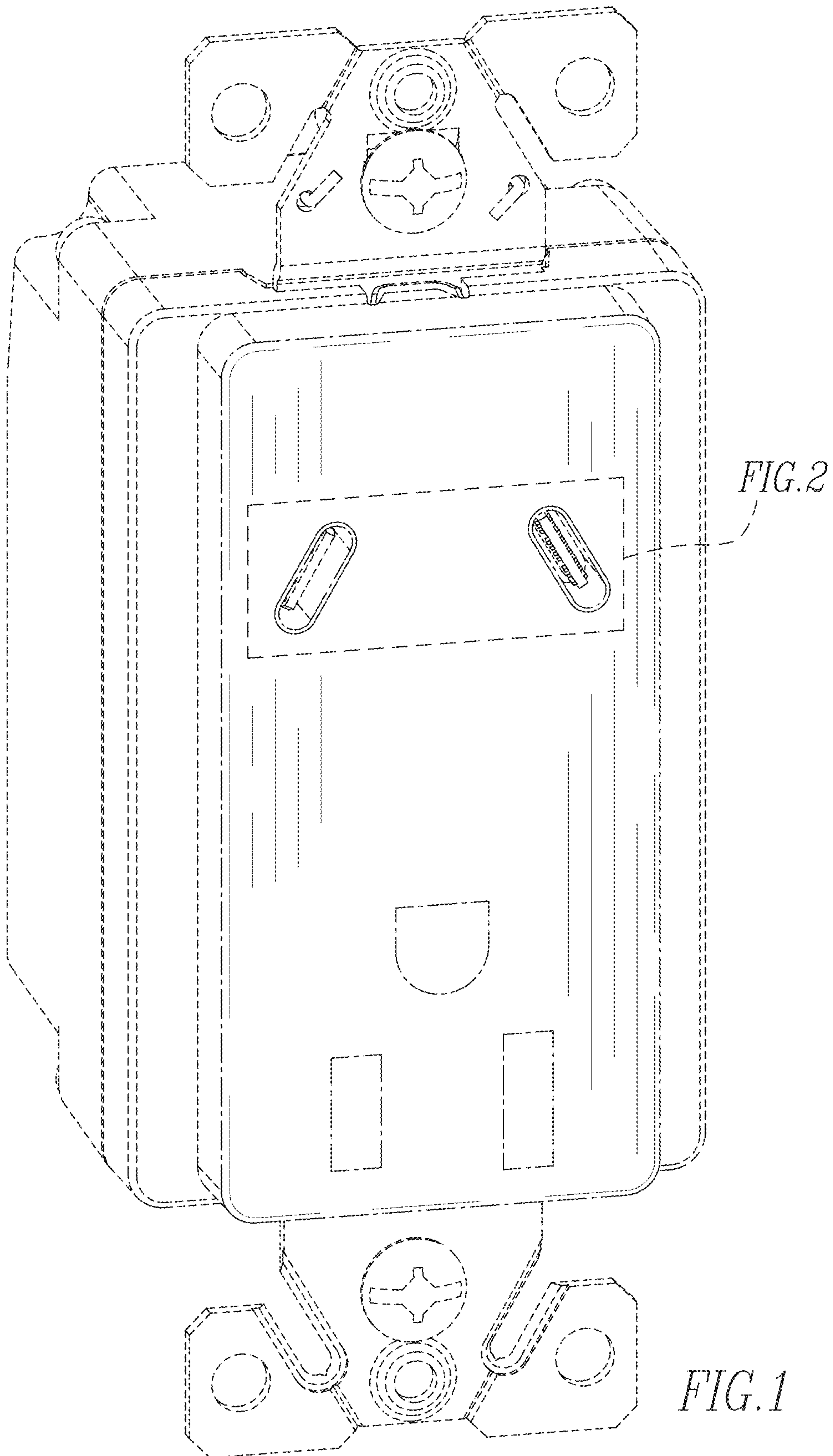
(56)

References Cited

U.S. PATENT DOCUMENTS

D680,492 S *	4/2013	Smith	D13/110	D722,562 S *	2/2015	Restrepo	D13/139.1
D686,577 S *	7/2013	Flagello	D13/152	D730,835 S *	6/2015	Murphy	D13/139.1
D692,385 S *	10/2013	Dodal	D13/139.1	D730,836 S *	6/2015	Lee	D13/139.3
D693,305 S *	11/2013	Kuo	D13/137.2	D731,430 S *	6/2015	Segnit	D13/137.2
D693,306 S *	11/2013	Chuang	D13/139.1	9,083,180 B2 *	7/2015	Dodal	H02H 3/16
D693,769 S *	11/2013	Picard	D13/137.1	D737,116 S *	8/2015	Lussier	D8/349
D694,706 S *	12/2013	Kuo	D13/108	D743,908 S *	11/2015	Koberg	D13/152
D702,640 S *	4/2014	Restrepo	D13/139.1	D744,950 S *	12/2015	Murphy	D13/139.1
D703,139 S *	4/2014	Dodal	D13/139.1	D744,951 S *	12/2015	Oosterman	D13/139.1
D705,734 S *	5/2014	Dodal	D13/139.1	D744,952 S *	12/2015	Ni	D13/139.3
D708,149 S *	7/2014	Auguste	D13/156	D745,850 S *	12/2015	Gretz	D13/152
D716,735 S *	11/2014	Byrne	D13/138.2	D754,074 S *	4/2016	DeCosta	D13/139.3
D719,511 S *	12/2014	Dodal	D13/139.1	D755,129 S *	5/2016	Page	D13/139.4
D719,512 S *	12/2014	Roy	D13/139.6	D758,979 S *	6/2016	Moon	D13/184
D719,688 S *	12/2014	Goyal	D13/177	D763,235 S *	8/2016	Brown	D14/239
D720,295 S *	12/2014	Dodal	D13/139.1	D776,113 S *	1/2017	Bierach	D14/383
D721,653 S *	1/2015	Lee	D13/139.3	D778,239 S *	2/2017	Ni	D13/108
					D783,579 S *	4/2017	MacManus	D14/240
					D784,970 S *	4/2017	MacManus	D14/240

* cited by examiner



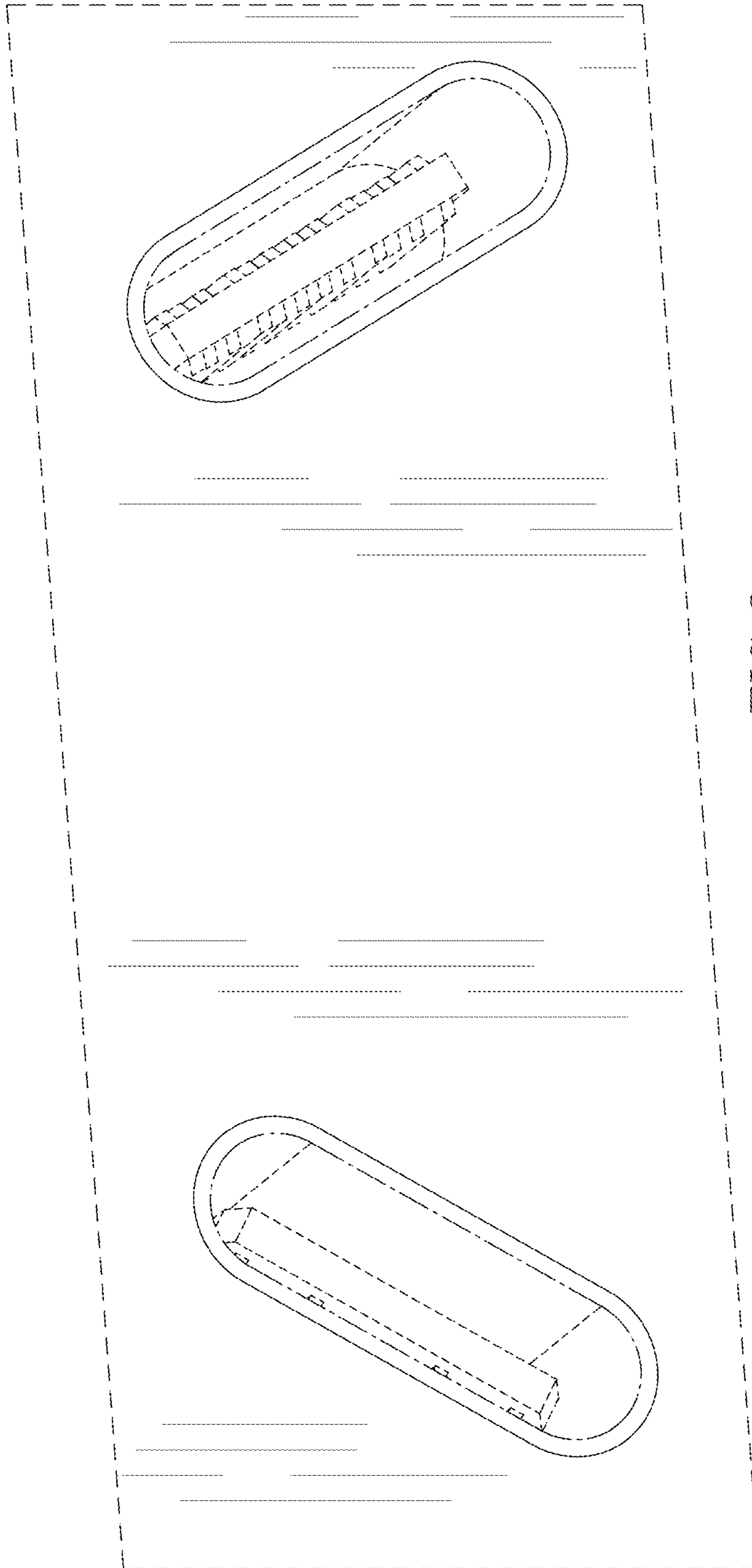
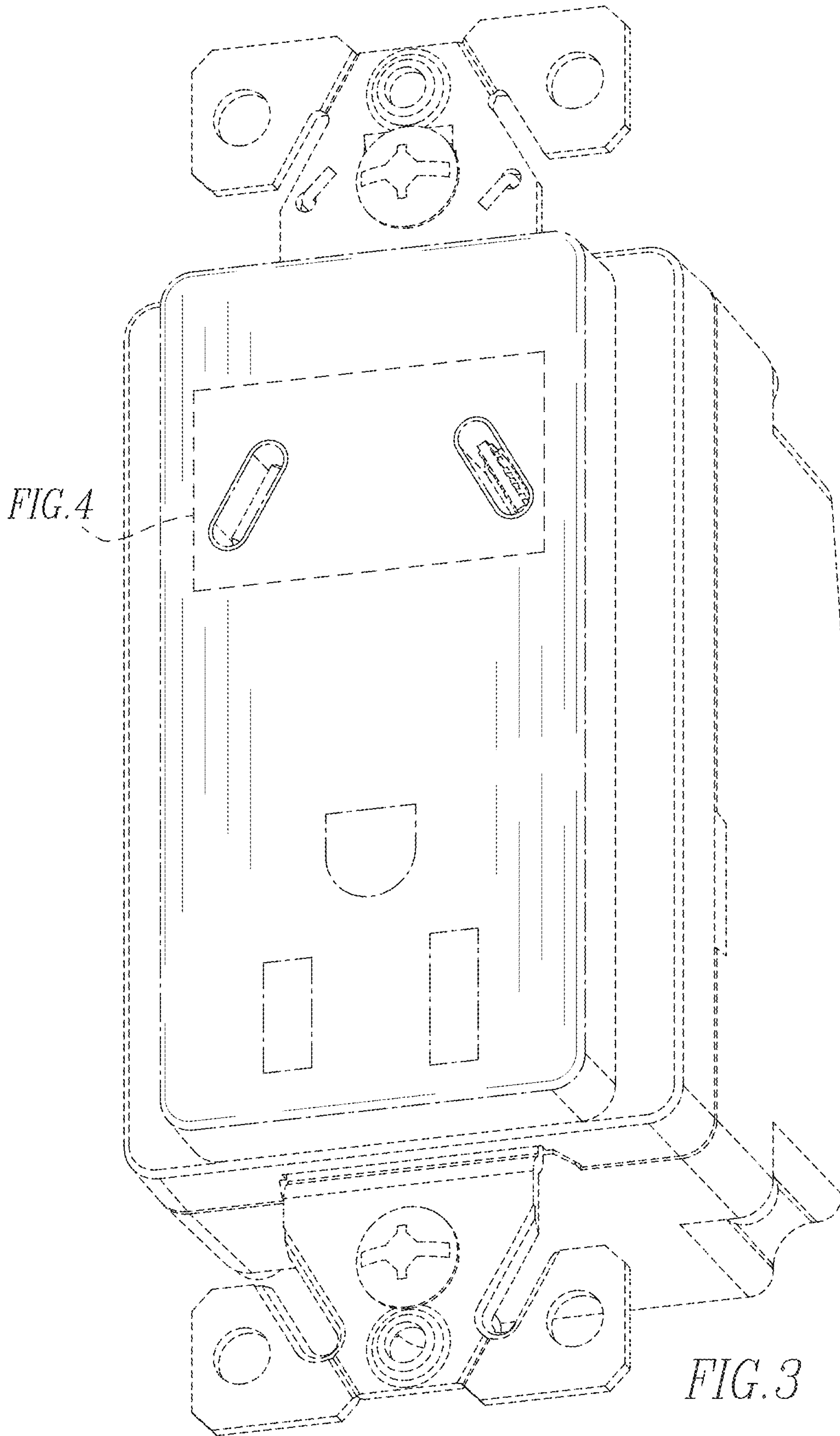


FIG. 2



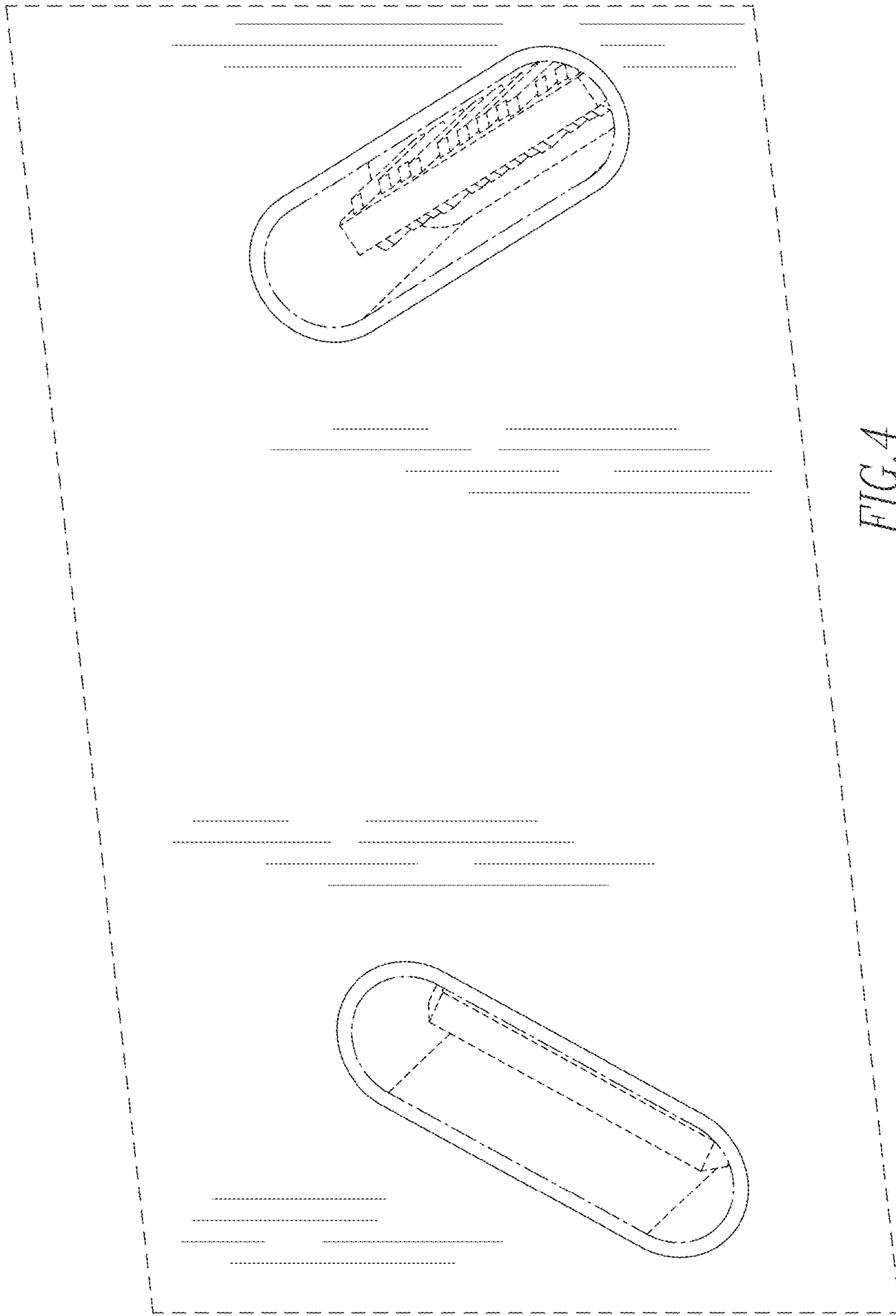
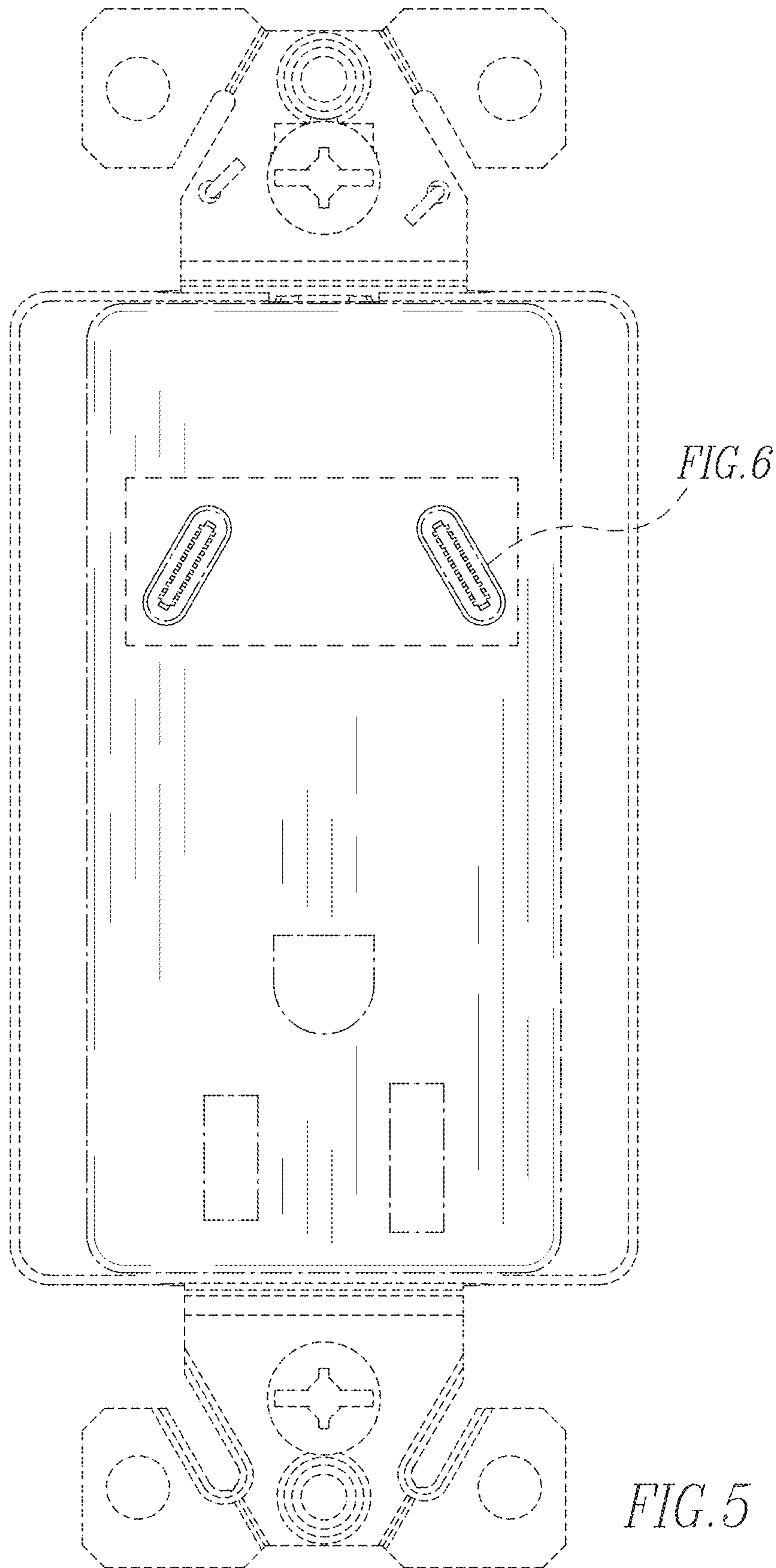


FIG. 4



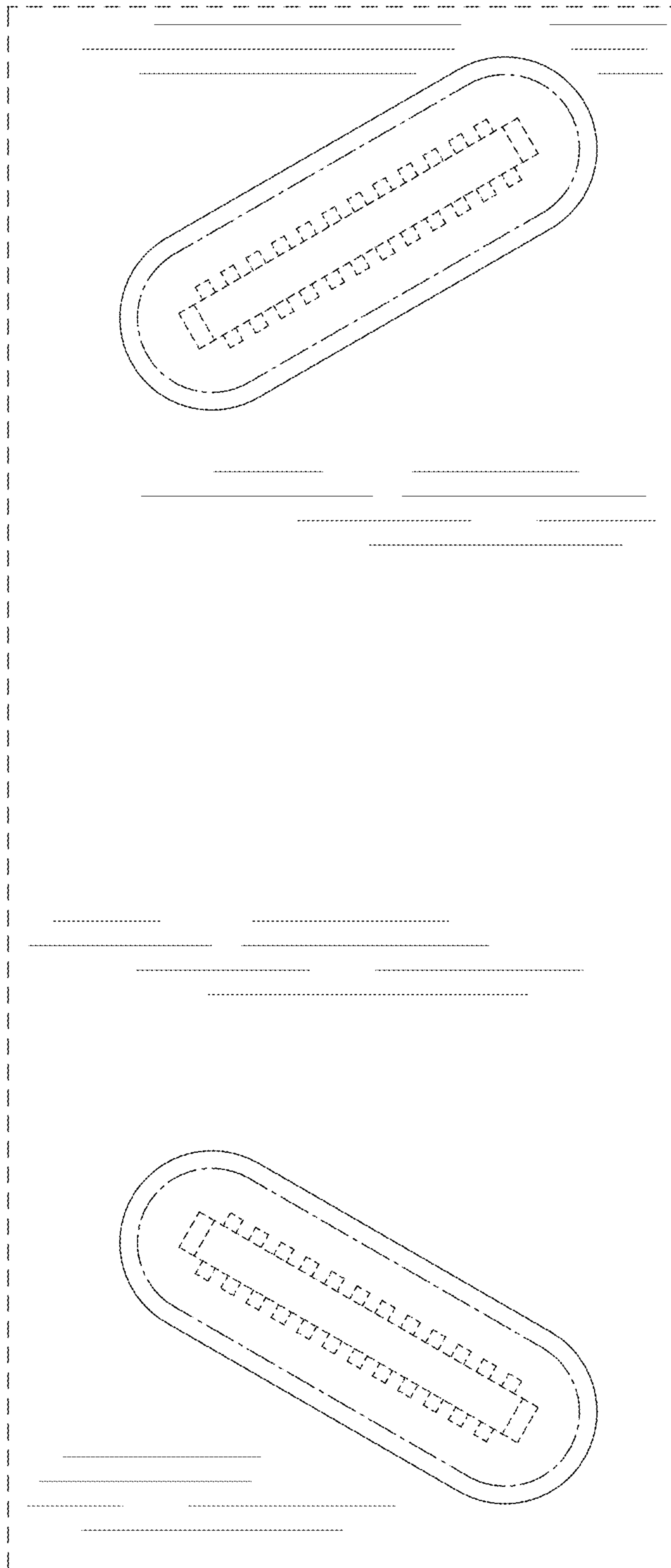


FIG. 6

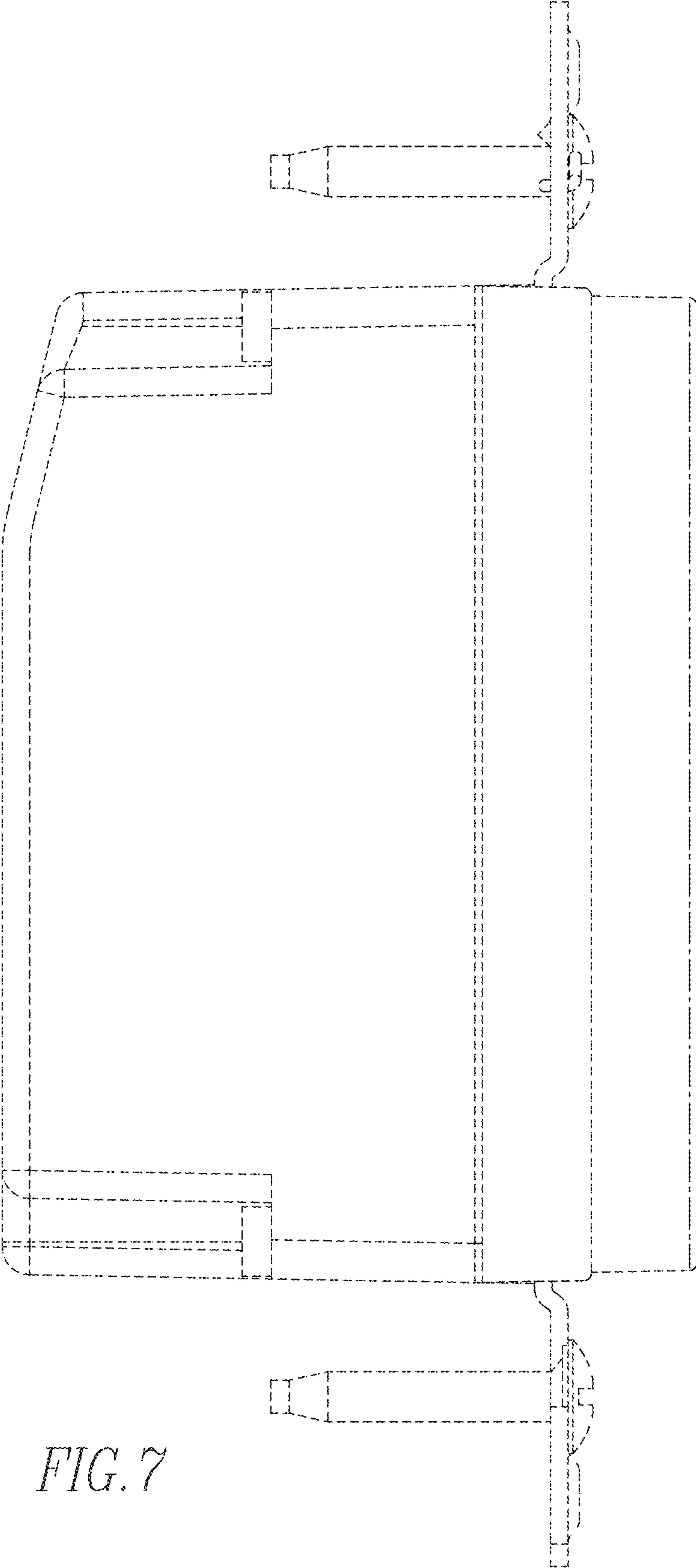


FIG. 7

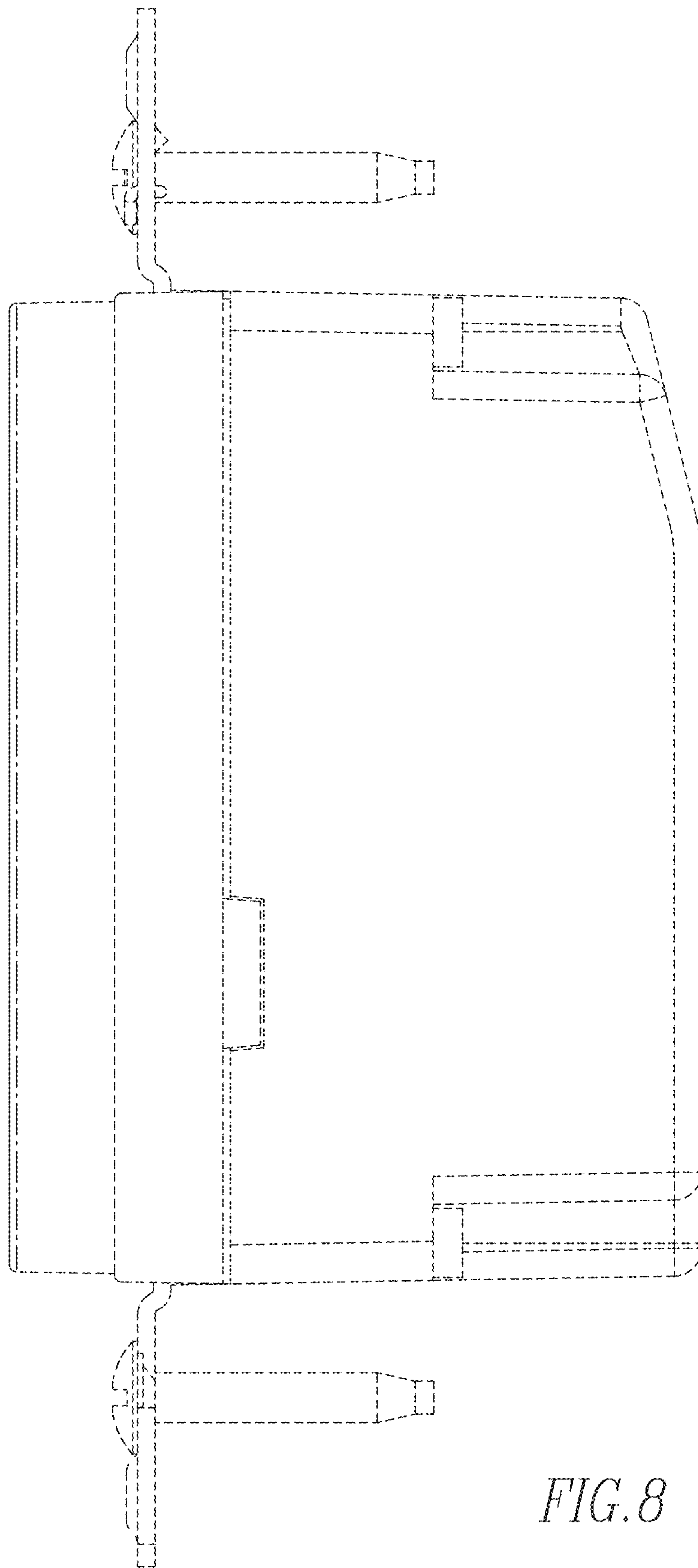


FIG. 8

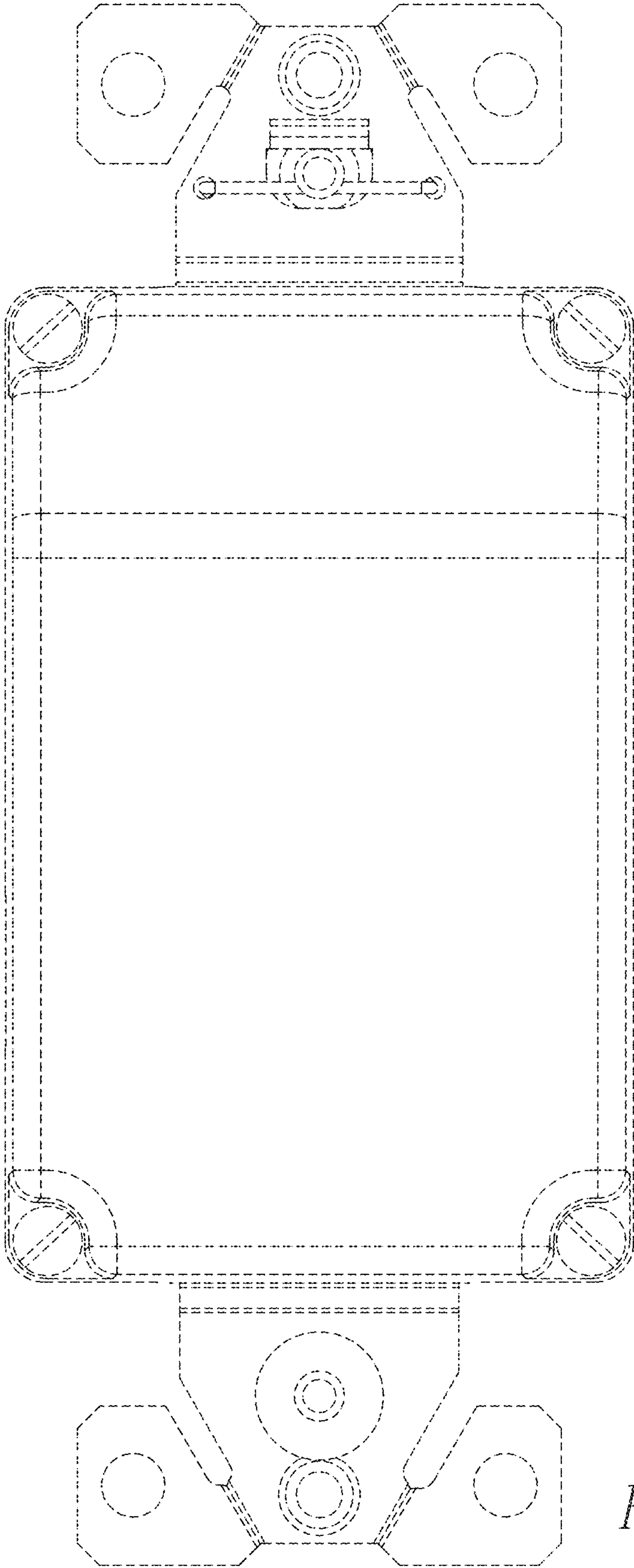


FIG. 9

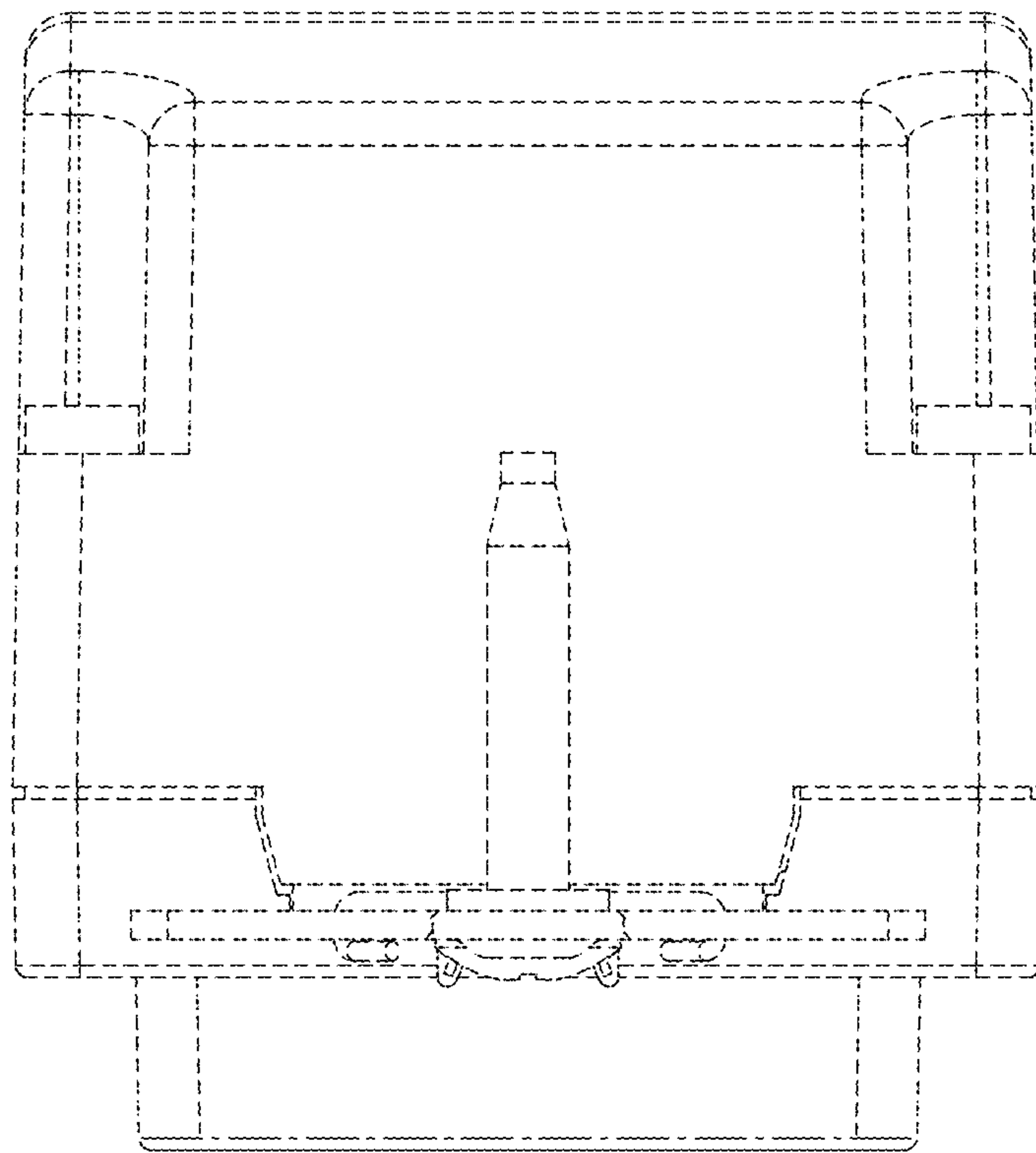


FIG. 10

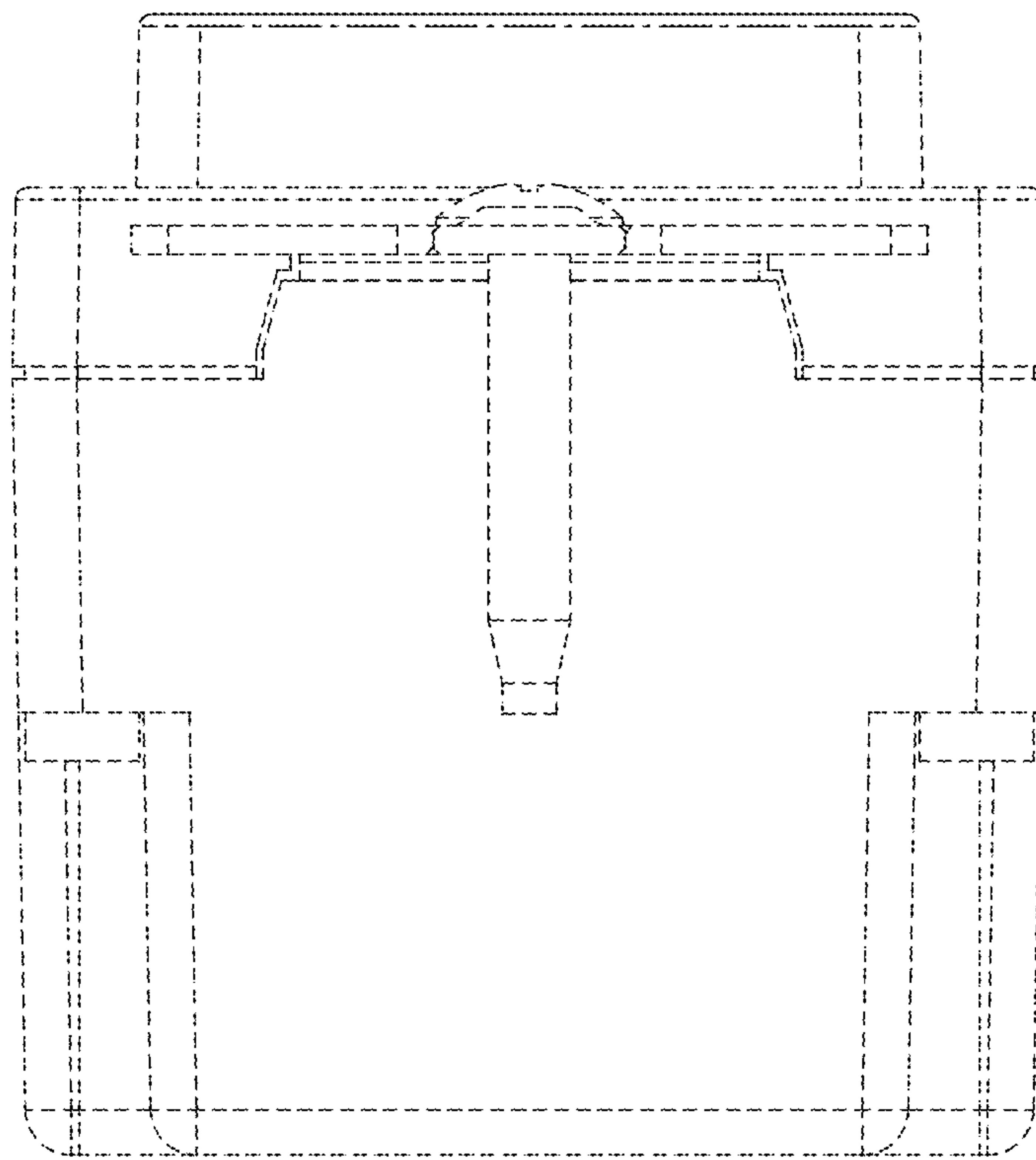


FIG. 11