



US00D817884S

(12) **United States Design Patent** (10) **Patent No.:** **US D817,884 S**
Salas et al. (45) **Date of Patent:** **** May 15, 2018**

(54) **ELECTRICAL OUTLET**
(71) Applicant: **EATON CORPORATION**, Cleveland, OH (US)
(72) Inventors: **Luis F. Salas**, Fayetteville, GA (US); **Oscar L. Neundorfer**, Senoia, GA (US); **Saivaraprasad Murahari**, Peachtree City, GA (US)
(73) Assignee: **EATON INTELLIGENT POWER LIMITED**, Dublin (IE)
(**) Term: **15 Years**
(21) Appl. No.: **29/547,555**
(22) Filed: **Dec. 4, 2015**
(51) **LOC (11) Cl.** **13-03**
(52) **U.S. Cl.**
USPC **D13/137.2**
(58) **Field of Classification Search**
USPC D13/137.1-137.2, 138.1, 138.2, 139.6, D13/152, 184, 108, 177, 156, 154, 119, D13/103, 162, 133, 110; D8/349, 350, D8/354; D14/240, 383, 239, 385; 174/53
CPC H02H 13/16; H02G 3/088
See application file for complete search history.

7,427,714 B1 * 9/2008 Lammens, Jr. H02G 3/088 174/53
D599,190 S * 9/2009 Huang D8/354
D628,539 S * 12/2010 Tezak D13/152
D646,954 S * 10/2011 Azelton D8/350
D656,151 S * 3/2012 Maus D14/385
D660,236 S * 5/2012 Liang-Hsu D13/139.1
D662,885 S * 7/2012 Hoffman D13/139.1
D666,158 S * 8/2012 Auguste D13/156
D676,387 S * 2/2013 Kennedy D13/137.2
D680,492 S * 4/2013 Smith D13/110
D686,577 S * 7/2013 Flagello D13/152

(Continued)

Primary Examiner — Rhea Shields
(74) *Attorney, Agent, or Firm* — Eckert Seamans

(57) **CLAIM**

The ornamental design for an electrical outlet, as shown and described.

DESCRIPTION

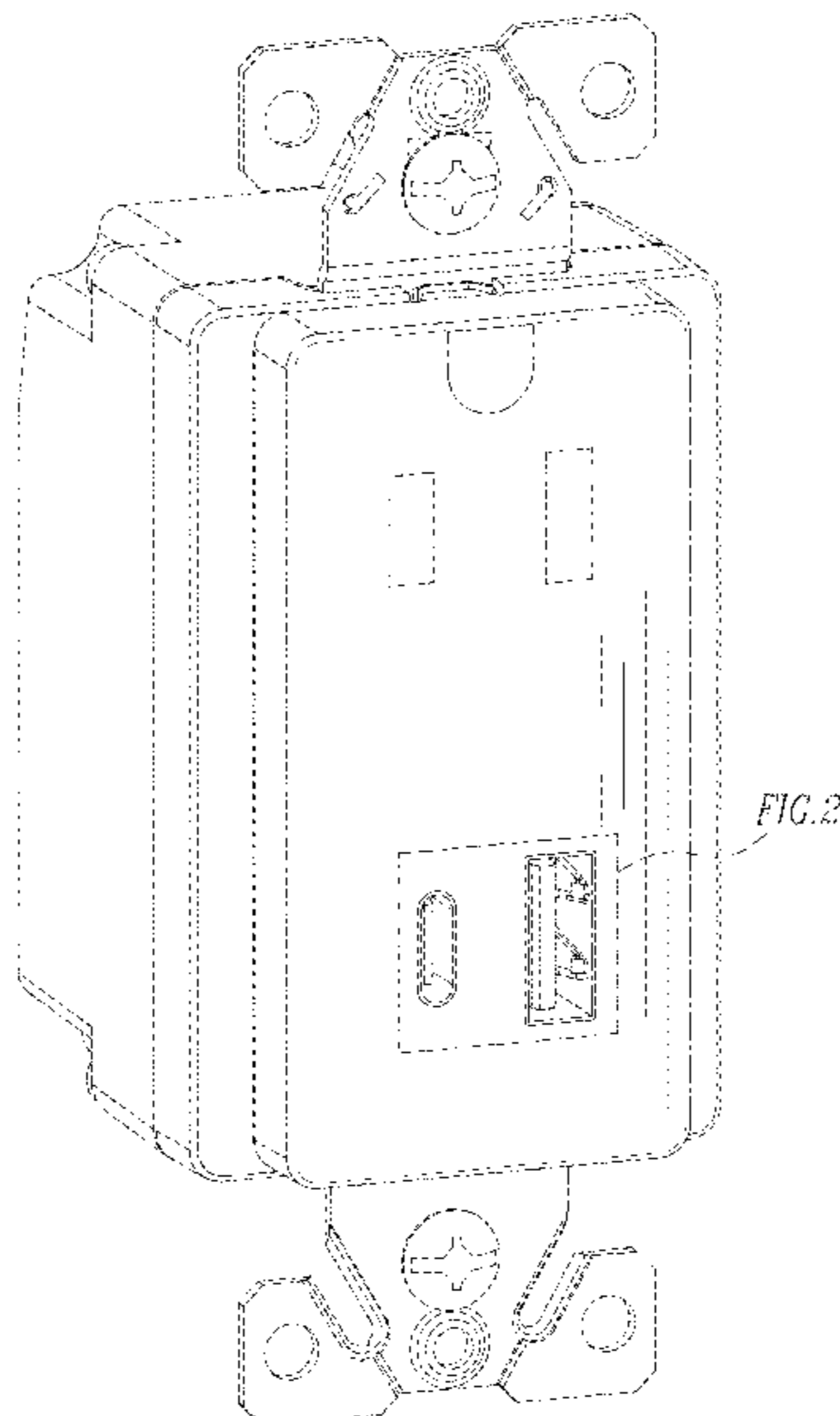
FIG. 1 is a left perspective view of the electrical outlet; FIG. 2 an enlargement of the indicated portion of FIG. 1; FIG. 3 is a right perspective view of the electrical outlet; FIG. 4 an enlargement of the indicated portion of FIG. 3; FIG. 5 is a front elevational view of the electrical outlet; FIG. 6 an enlargement of the indicated portion of FIG. 5; FIG. 7 is a left side elevational view of the electrical outlet; FIG. 8 is a right side elevational view of the electrical outlet; FIG. 9 is a rear elevational view of the electrical outlet; FIG. 10 is a top plan view of the electrical outlet; and, FIG. 11 is a bottom plan view of the electrical outlet. In the drawings, the dot-dash-dot broken lines are for the purpose of illustrating boundaries between the claimed design and environment. The evenly spaced broken lines are for the purpose of illustrating environment only. No subject matter shown in either the dot-dash-dot broken lines or evenly spaced broken lines forms a part of the claimed design.

1 Claim, 11 Drawing Sheets

(56) **References Cited**

U.S. PATENT DOCUMENTS

D427,887 S * 7/2000 Leopold D13/154
D499,070 S * 11/2004 Lavington D13/119
D500,755 S * 1/2005 Chung D14/240
D509,214 S * 9/2005 Chung D14/240
D517,988 S * 3/2006 Ihde D13/103
D558,676 S * 1/2008 Fort D13/139.3
D562,261 S * 2/2008 Takach D13/162
D572,195 S * 7/2008 Lin D13/133



(56)

References Cited

U.S. PATENT DOCUMENTS

D692,385 S * 10/2013 Dodal D13/139.1
D693,305 S * 11/2013 Kuo D13/137.2
D693,306 S * 11/2013 Chuang D13/139.1
D693,769 S * 11/2013 Picard D13/137.1
D694,706 S * 12/2013 Kuo D13/108
D702,640 S * 4/2014 Restrepo D13/139.1
D703,139 S * 4/2014 Dodal D13/139.1
D705,734 S * 5/2014 Dodal D13/139.1
D708,149 S * 7/2014 Auguste D13/156
D716,735 S * 11/2014 Byrne D13/138.2
D719,511 S * 12/2014 Dodal D13/139.1
D719,512 S * 12/2014 Roy D13/139.6
D719,688 S * 12/2014 Goyal D13/177
D720,295 S * 12/2014 Dodal D13/139.1
D721,653 S * 1/2015 Lee D13/139.3
D722,562 S * 2/2015 Restrepo D13/139.1
D730,835 S * 6/2015 Murphy D13/139.1
D730,836 S * 6/2015 Lee D13/139.3
D731,430 S * 6/2015 Segnit D13/137.2
9,083,180 B2 * 7/2015 Dodal H02H 3/16
D737,116 S * 8/2015 Lussier D8/349
D743,908 S * 11/2015 Koberg D13/152
D744,950 S * 12/2015 Murphy D13/139.1
D744,951 S * 12/2015 Oosterman D13/139.1
D744,952 S * 12/2015 Ni D13/139.3
D745,850 S * 12/2015 Gretz D13/152
D754,074 S * 4/2016 DeCosta D13/139.3
D755,129 S * 5/2016 Page D13/139.4
D758,979 S * 6/2016 Moon D13/184
D763,235 S * 8/2016 Brown D14/239
D776,113 S * 1/2017 Bierach D14/383
D778,239 S * 2/2017 Ni D13/108
D783,579 S * 4/2017 MacManus D14/240
D784,970 S * 4/2017 MacManus D14/240

* cited by examiner

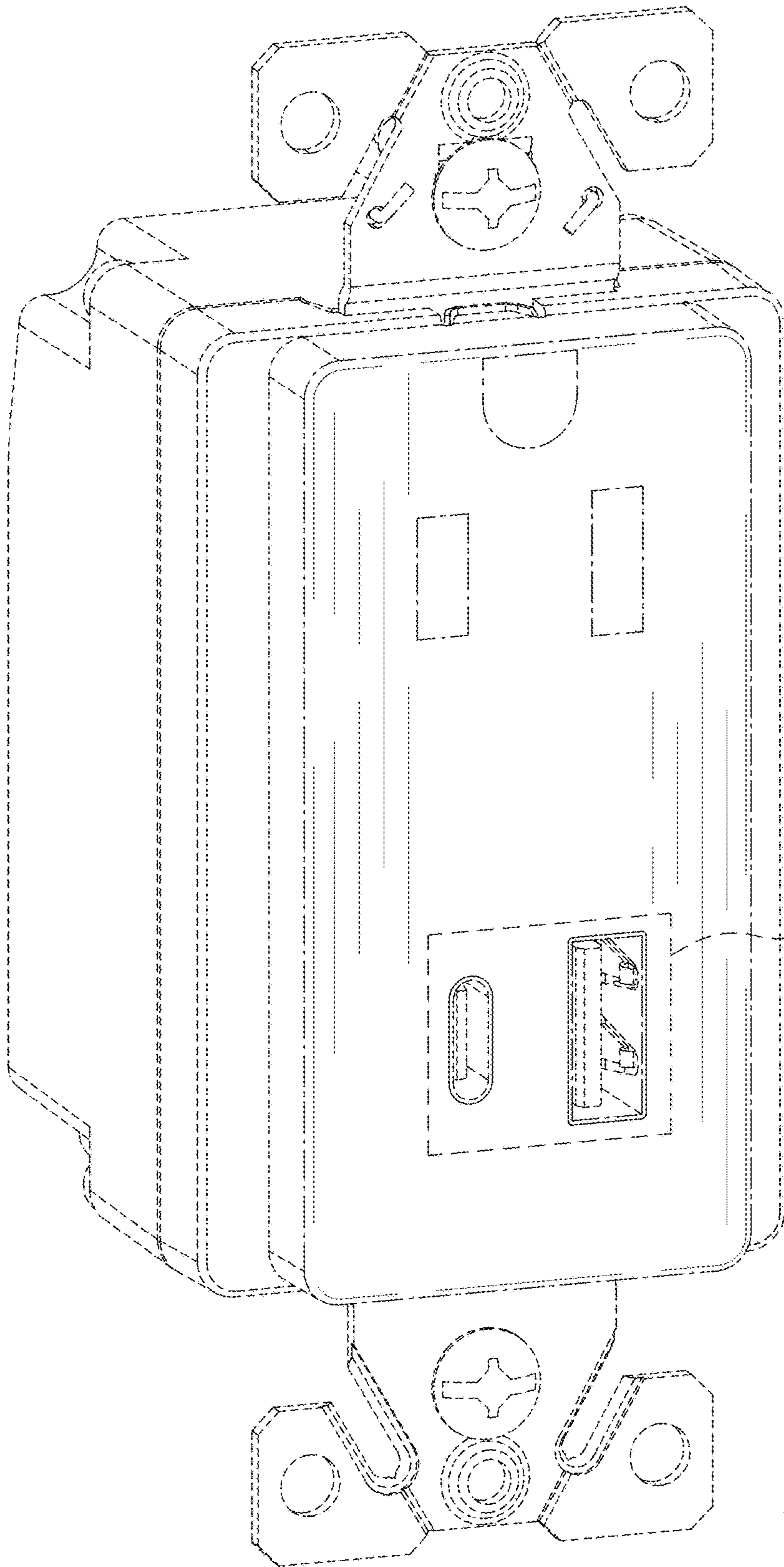
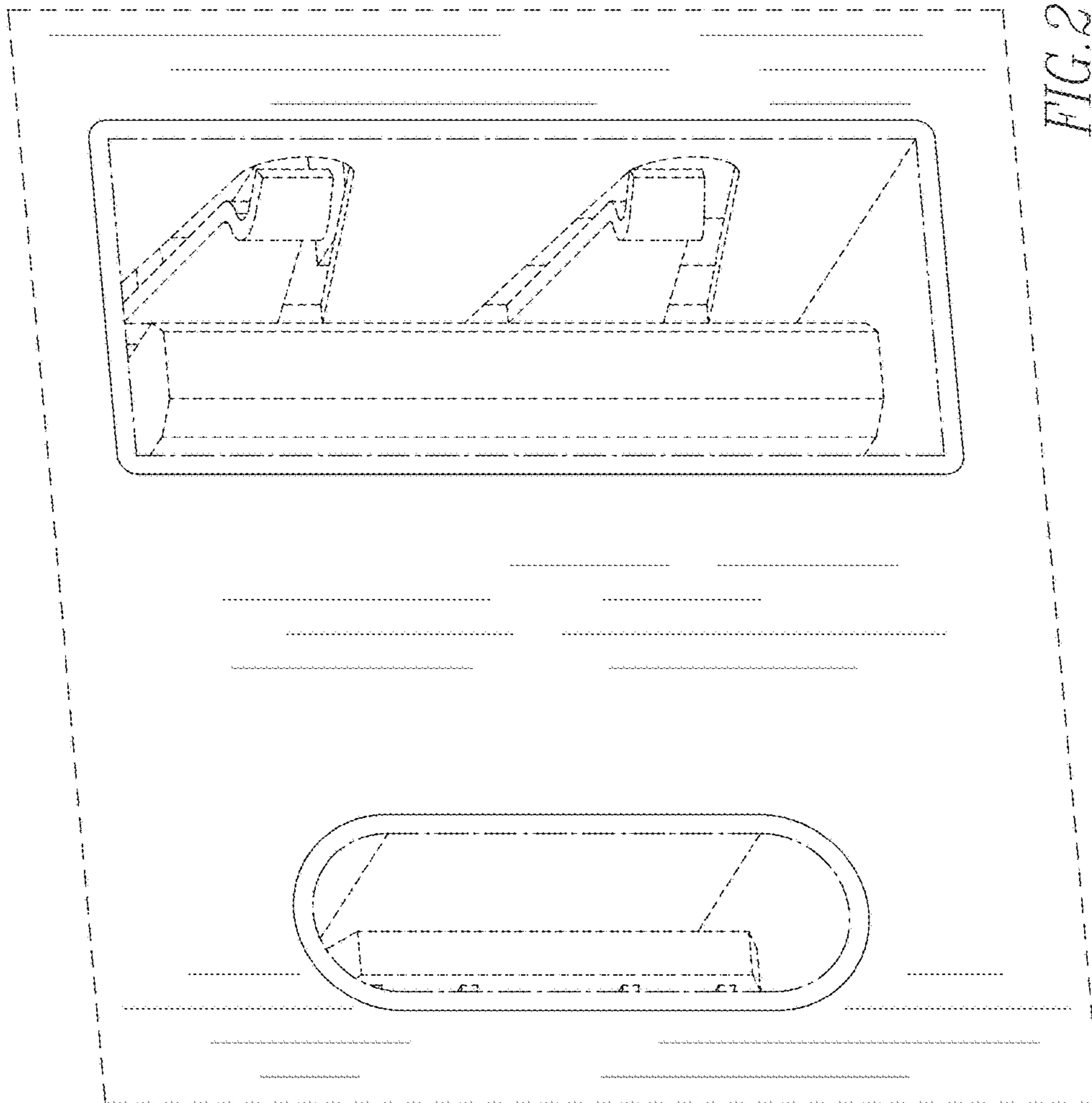
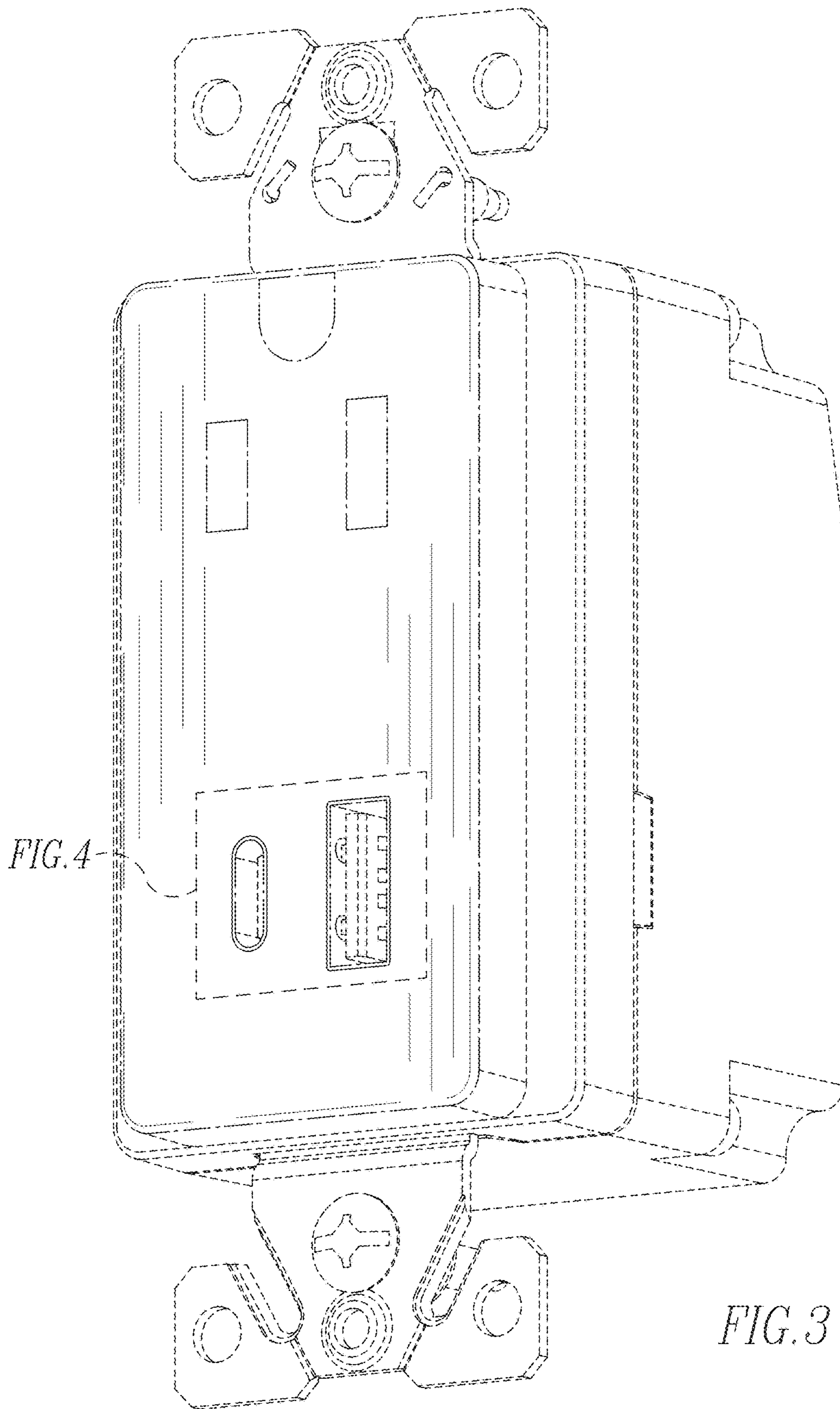


FIG. 2

FIG. 1





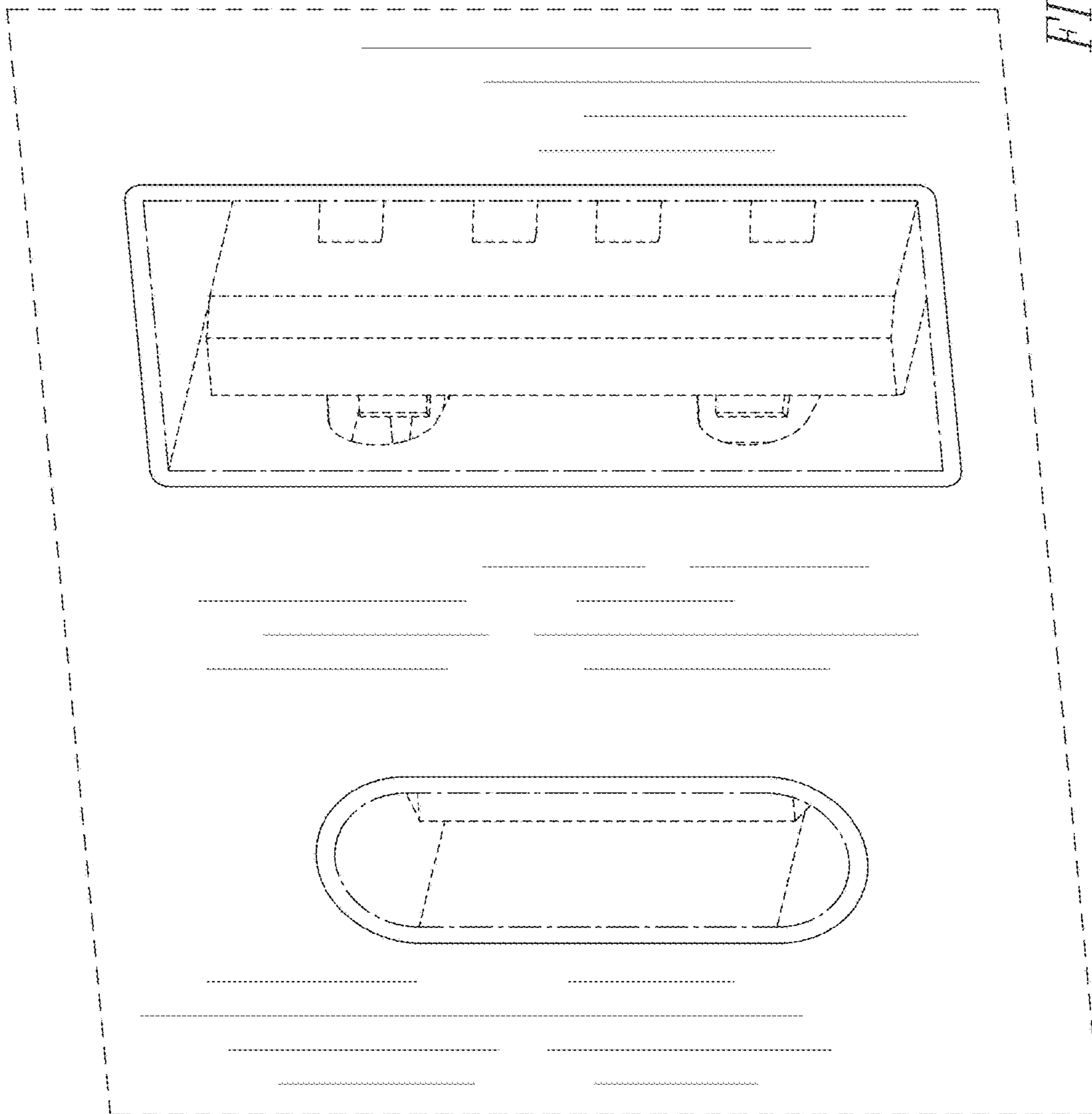


FIG. 4

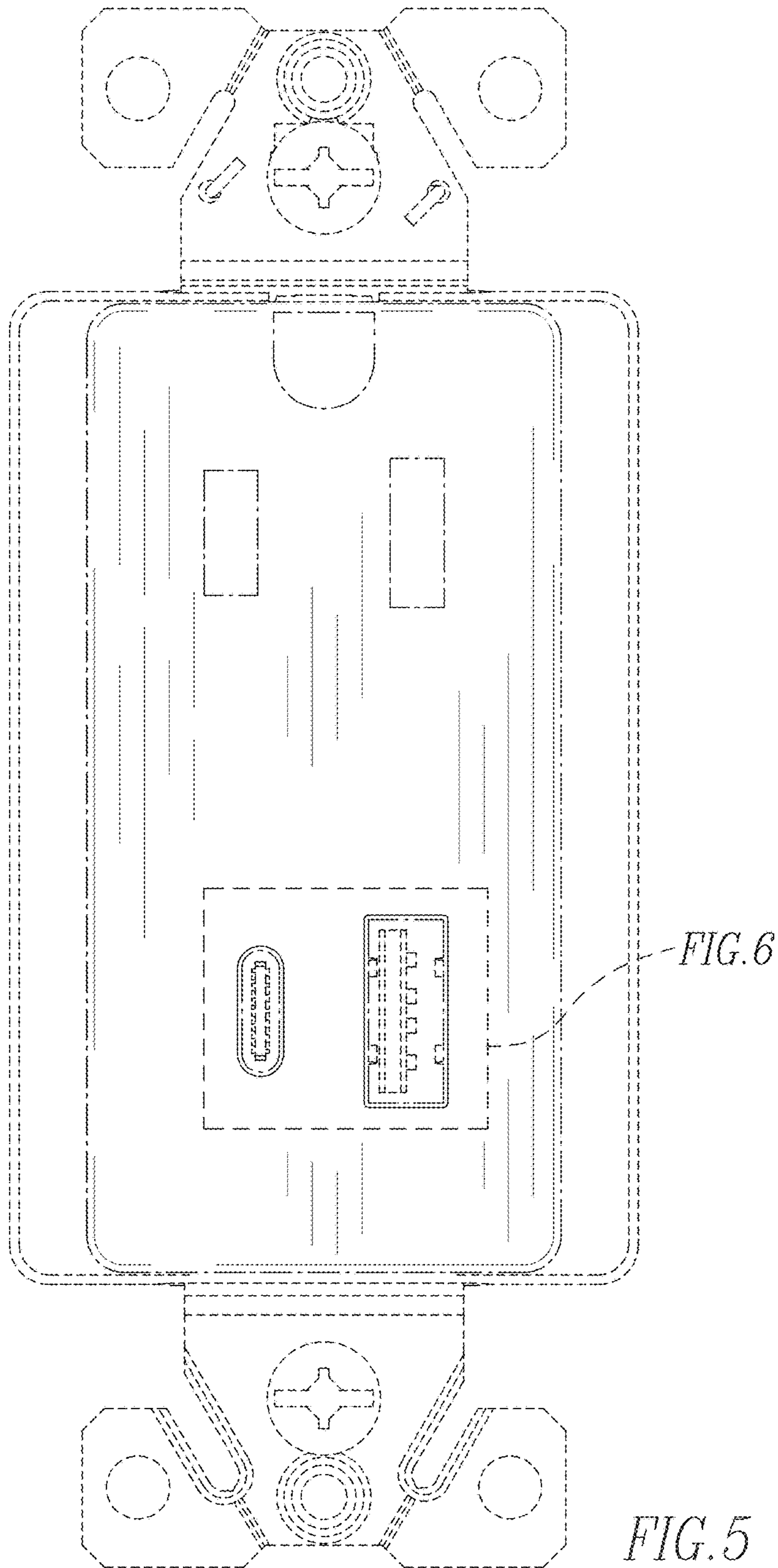
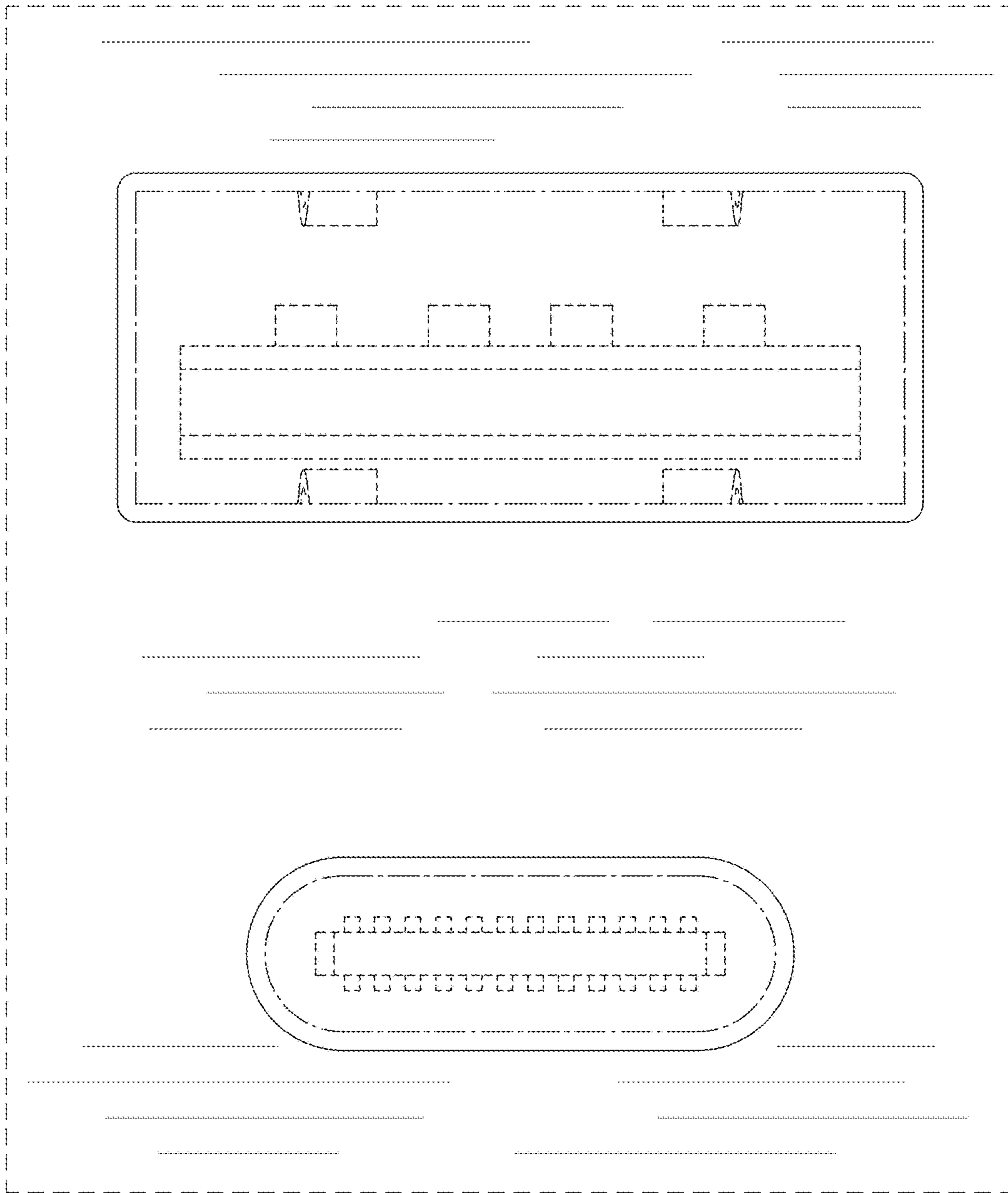


FIG. 6



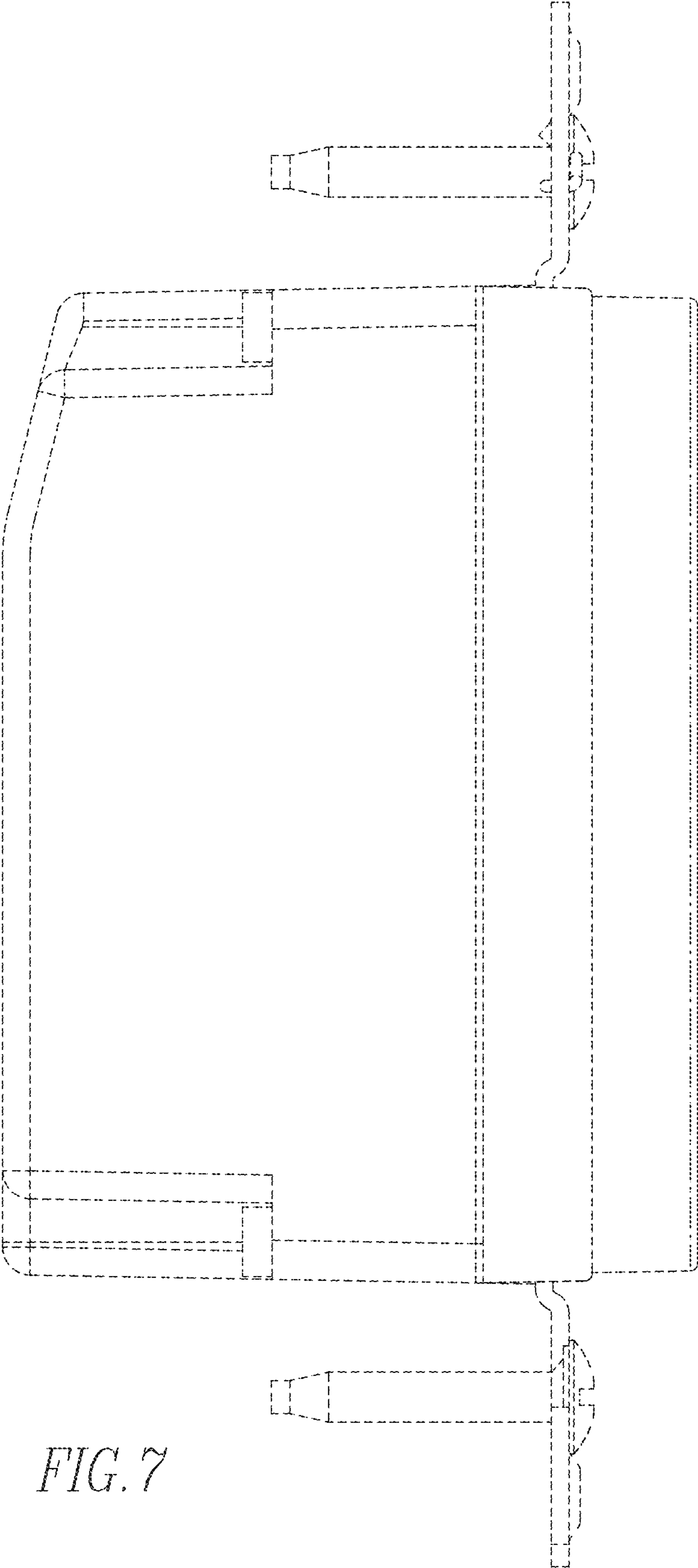


FIG. 7

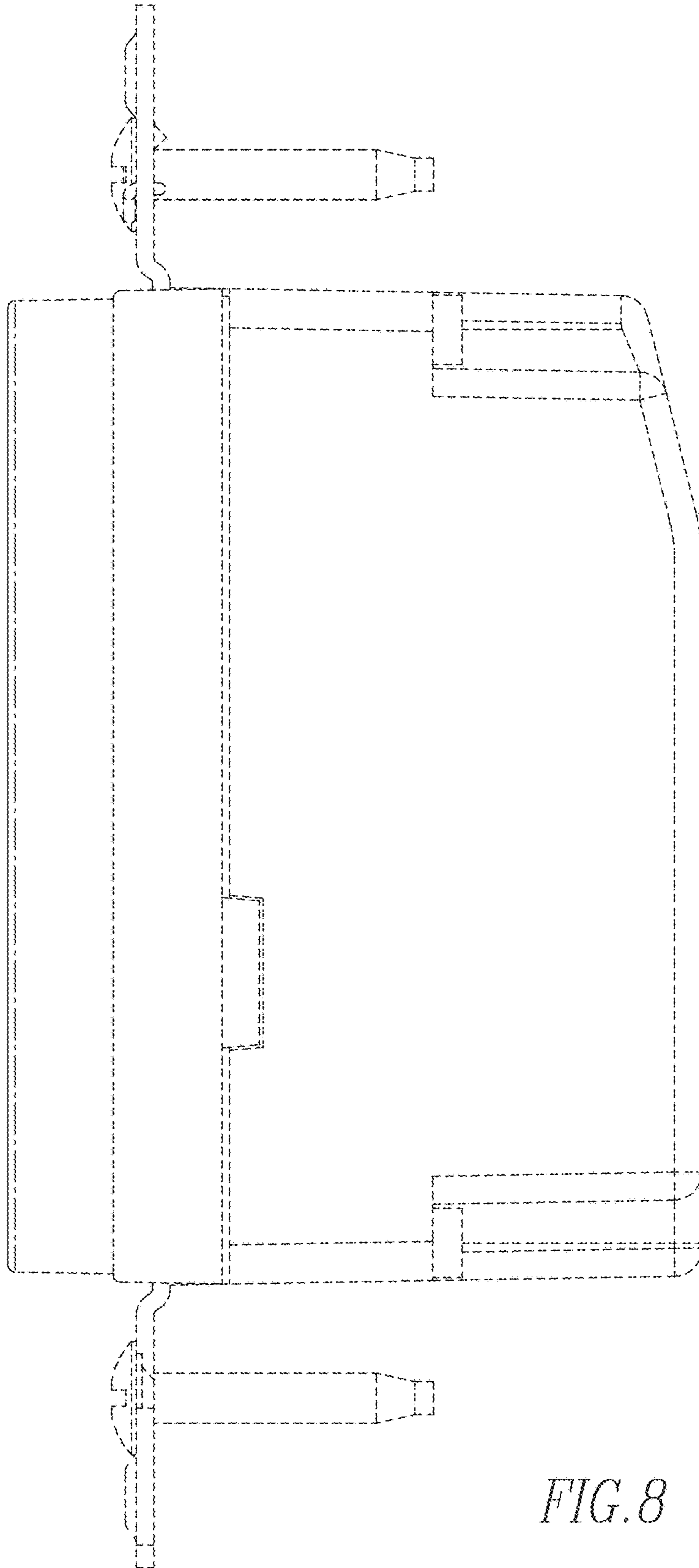


FIG. 8

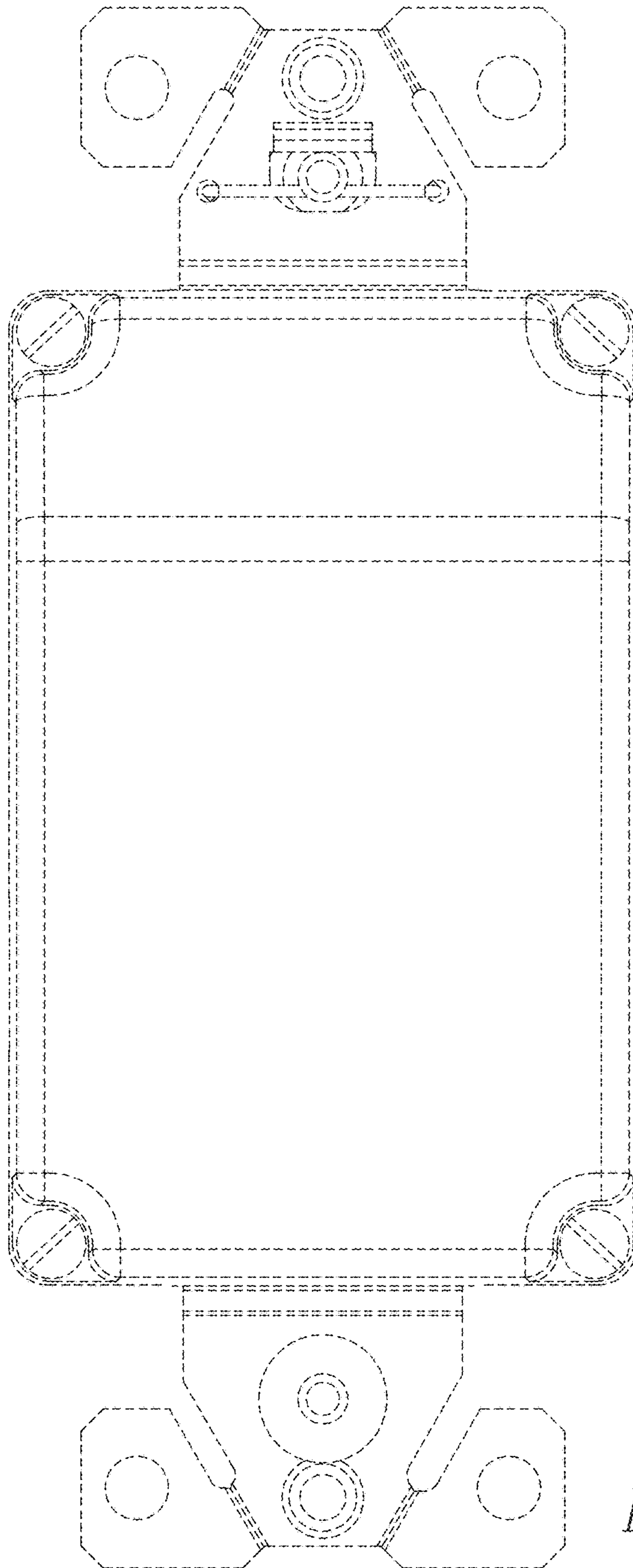


FIG. 9

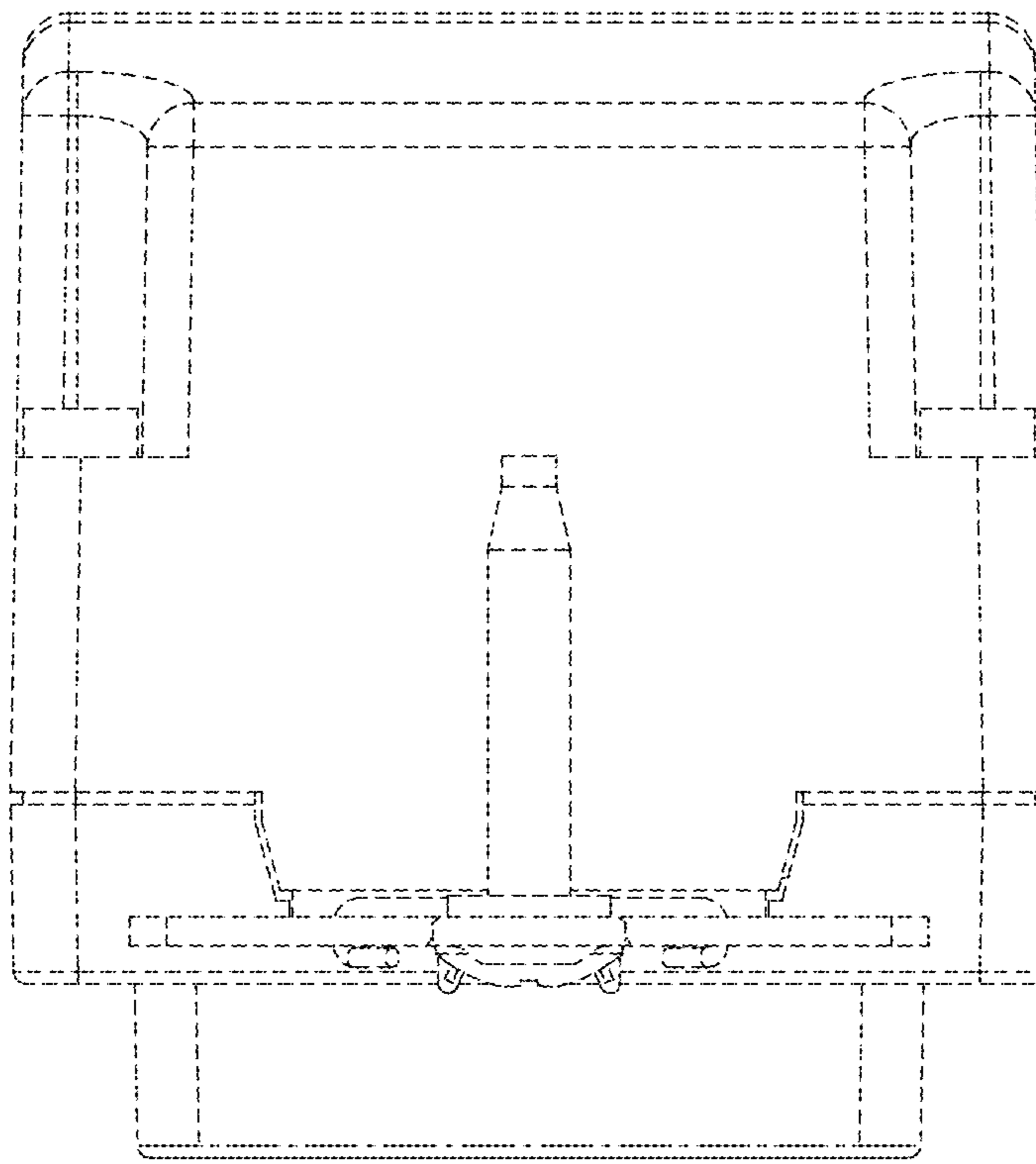


FIG. 10

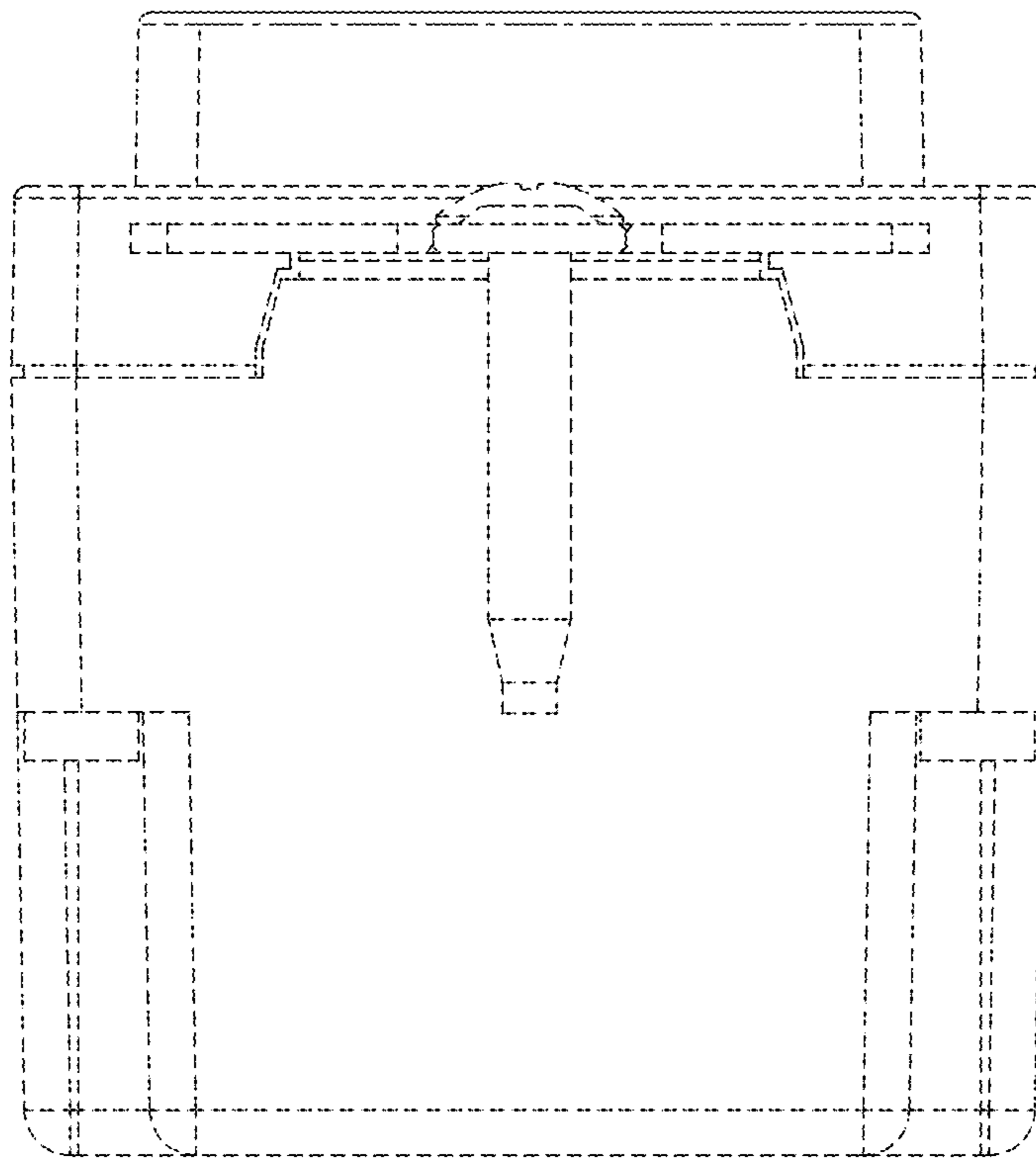


FIG. 11