



US00D817882S

(12) **United States Design Patent**
Chen et al.

(10) **Patent No.:** **US D817,882 S**

(45) **Date of Patent:** **** May 15, 2018**

(54) **TERMINAL**

(71) Applicant: **Tarng Yu Enterprise co.,ltd.**, New Taipei (TW)

(72) Inventors: **Tsung-Chi Chen**, New Taipei (TW);
Mu-Jung Huang, New Taipei (TW)

(73) Assignee: **TARNG YU ENTERPRISE CO., LTD.**, New Taipei (TW)

(**) Term: **15 Years**

(21) Appl. No.: **29/594,145**

(22) Filed: **Feb. 16, 2017**

(30) **Foreign Application Priority Data**

Aug. 19, 2016 (TW) 105304809

(51) **LOC (11) Cl.** **13-03**

(52) **U.S. Cl.**
USPC **D13/133**

(58) **Field of Classification Search**
USPC D13/103, 110, 112, 118–123, 133, 134,
D13/145–147, 149, 152, 154–156, 173,
D13/184, 199
CPC H01R 4/24; H01R 4/48; H01R 4/4818;
H01R 11/22; H01R 11/30; H01R 12/00;
H01R 12/57; H01R 13/00; H01R 13/11;
H01R 13/40; H01R 13/42; H01R 13/50;
H01R 13/60; H01R 13/62; H01R 13/68
See application file for complete search history.

(56) **References Cited**

U.S. PATENT DOCUMENTS

4,023,885 A * 5/1977 Snowdon H01H 1/58
200/275
D332,773 S * 1/1993 Sato D13/133

5,989,078 A * 11/1999 Chaillot H01R 43/16
439/851
D494,545 S * 8/2004 Kuroda D13/154
D668,621 S * 10/2012 Gieski D13/154
D683,705 S * 6/2013 Katagiyama D13/154
8,721,376 B1 * 5/2014 Bishop H01R 12/57
439/441
D723,475 S * 3/2015 Chen D13/154
D756,934 S * 5/2016 Chen D13/118

(Continued)

Primary Examiner — Thomas Johannes

Assistant Examiner — Shawn T Gingrich

(74) *Attorney, Agent, or Firm* — Chun-Ming Shih

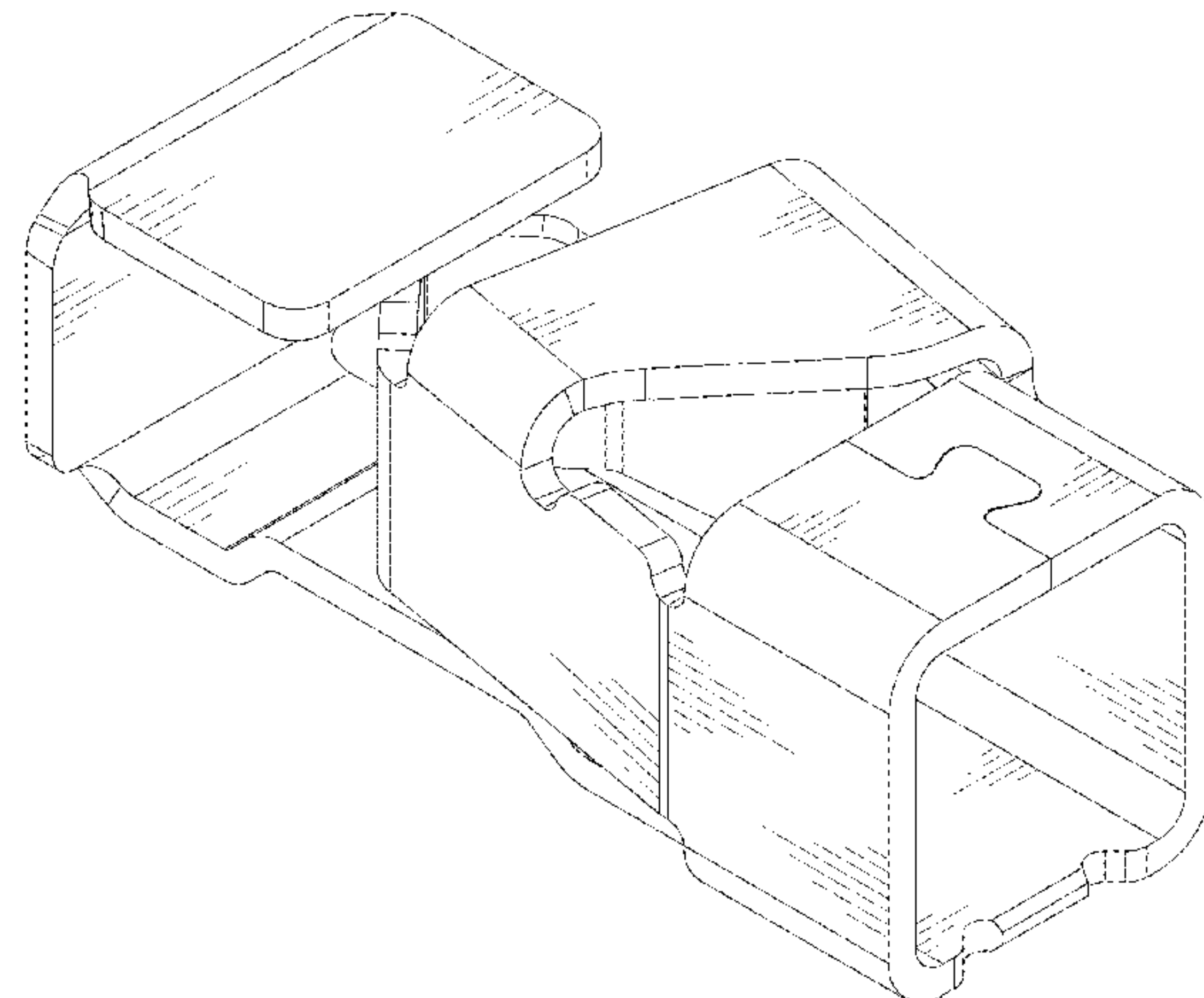
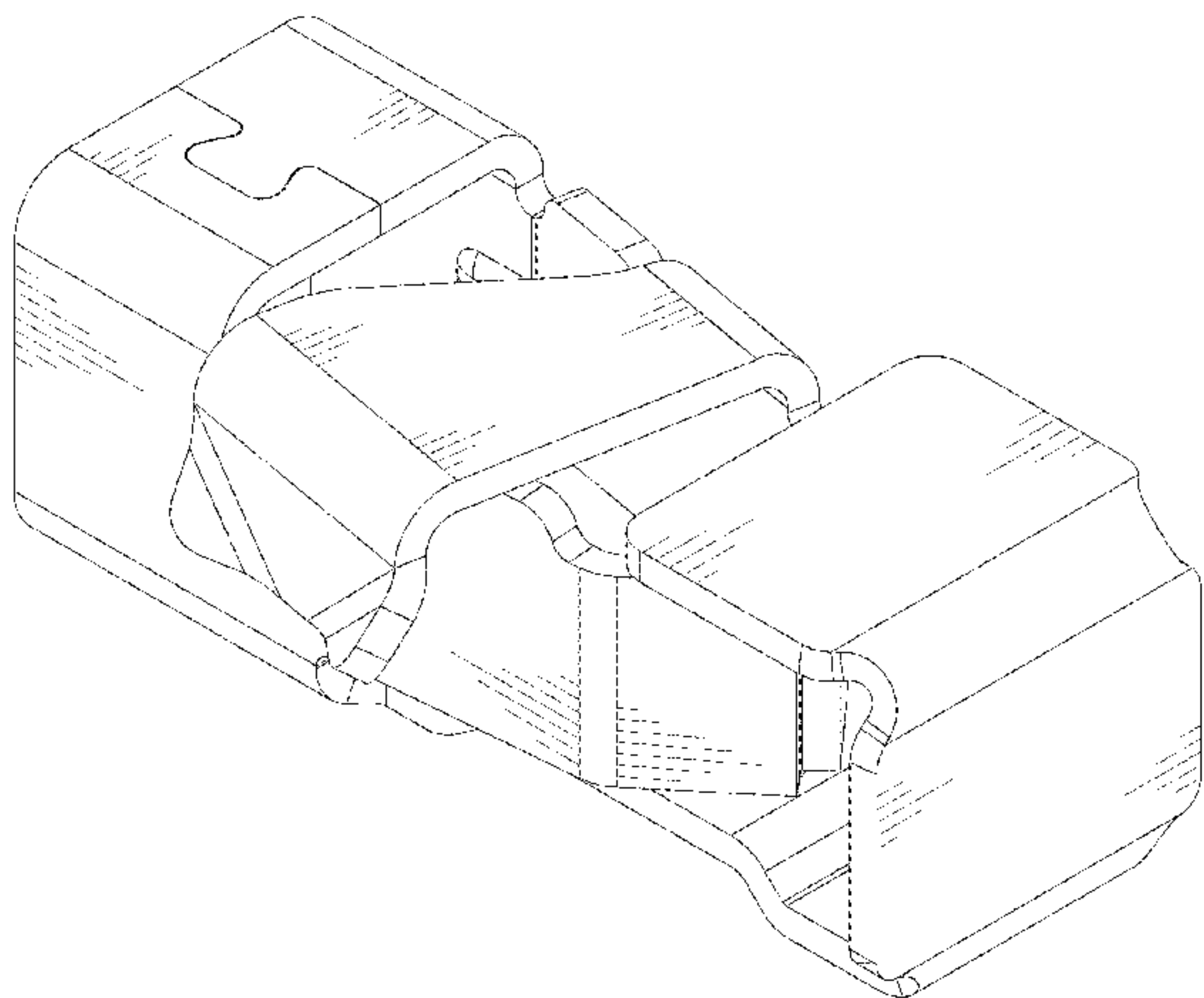
(57) **CLAIM**

The ornamental design for a terminal, as shown and described.

DESCRIPTION

FIG. 1 is a first perspective view of a terminal showing the new design;
FIG. 2 is a front view of a terminal showing the new design;
FIG. 3 is a rear view of a terminal showing the new design;
FIG. 4 is a left side elevational view of a terminal showing the new design;
FIG. 5 is a right side elevational view of a terminal showing the new design;
FIG. 6 is a top view of a terminal showing the new design;
FIG. 7 is a bottom view of a terminal showing the new design;
FIG. 8 is a second perspective view of a terminal showing the new design;
FIG. 9 is a perspective view of a terminal showing the new design in an environment of use; and,
FIG. 10 is another perspective view of a terminal showing the new design in an environment of use.
The broken lines in the drawing depict environmental subject matter only and form no part of the claimed design.

1 Claim, 10 Drawing Sheets



(56)

References Cited

U.S. PATENT DOCUMENTS

9,735,479 B2 * 8/2017 Chen H01R 4/48
2014/0120786 A1 * 5/2014 Bishop H01R 4/4836
439/878
2015/0079859 A1 * 3/2015 Glick H01R 43/20
439/891
2017/0110807 A1 * 4/2017 Chen H01R 4/48

* cited by examiner

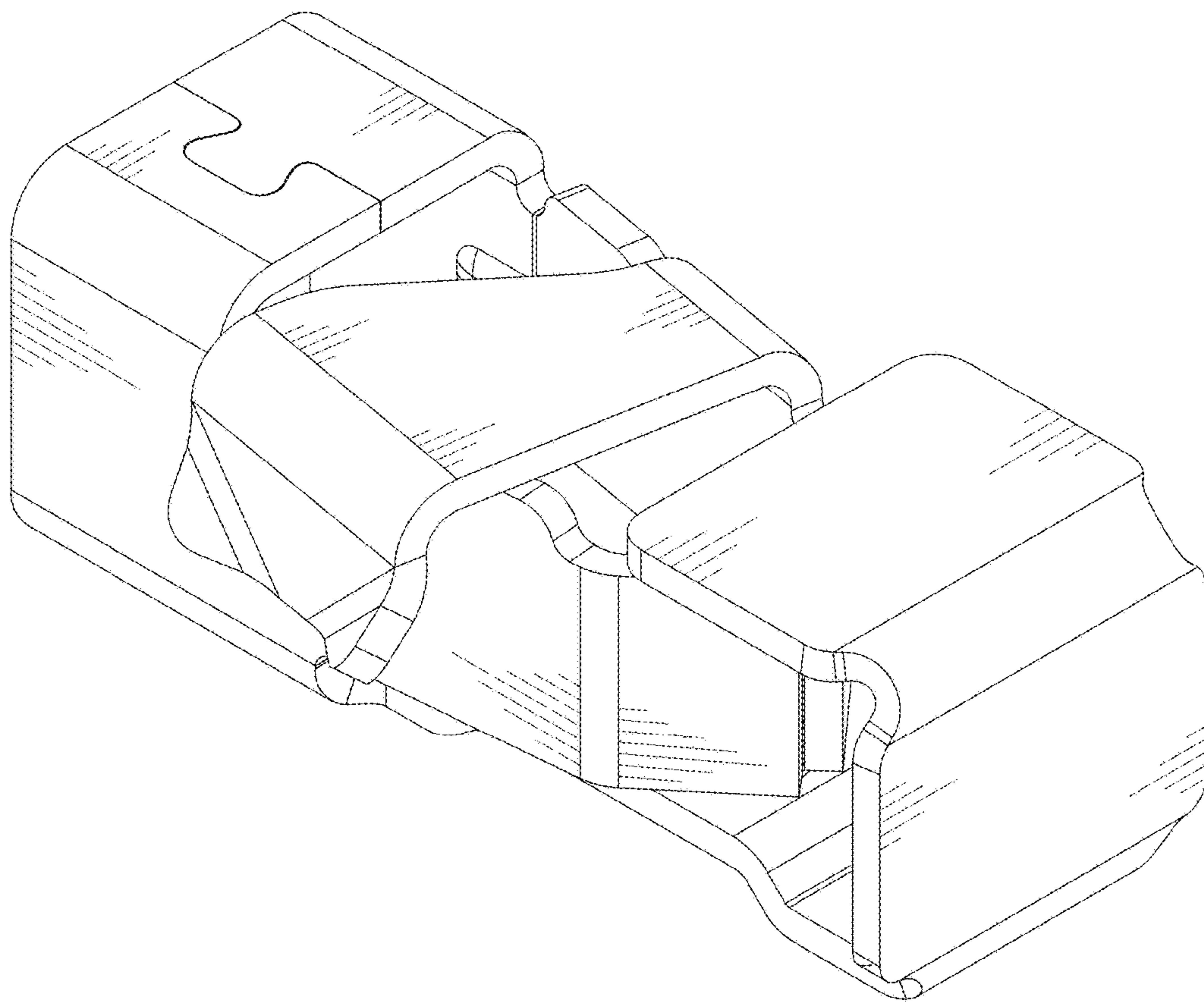


FIG.1

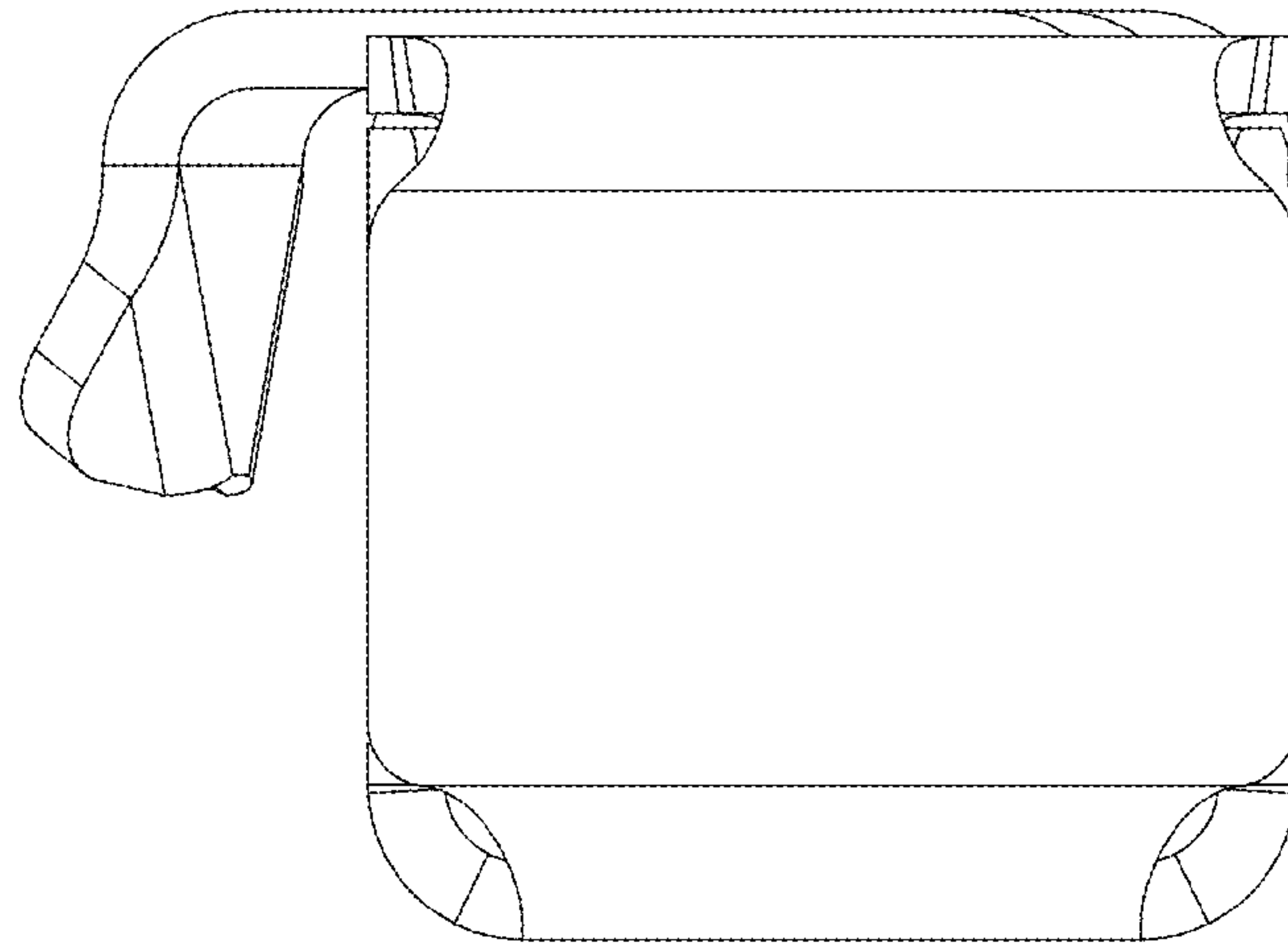


FIG.2

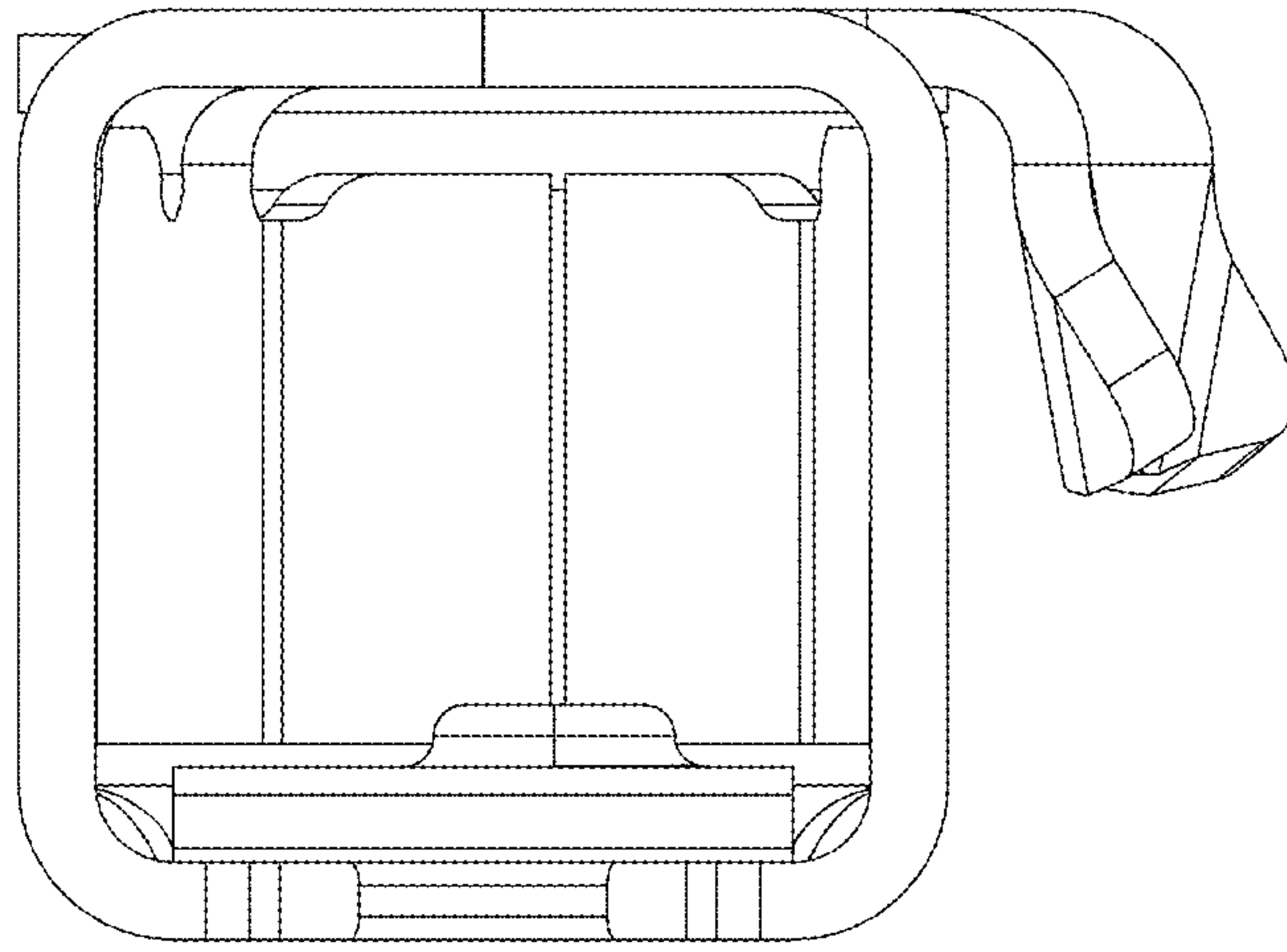


FIG.3

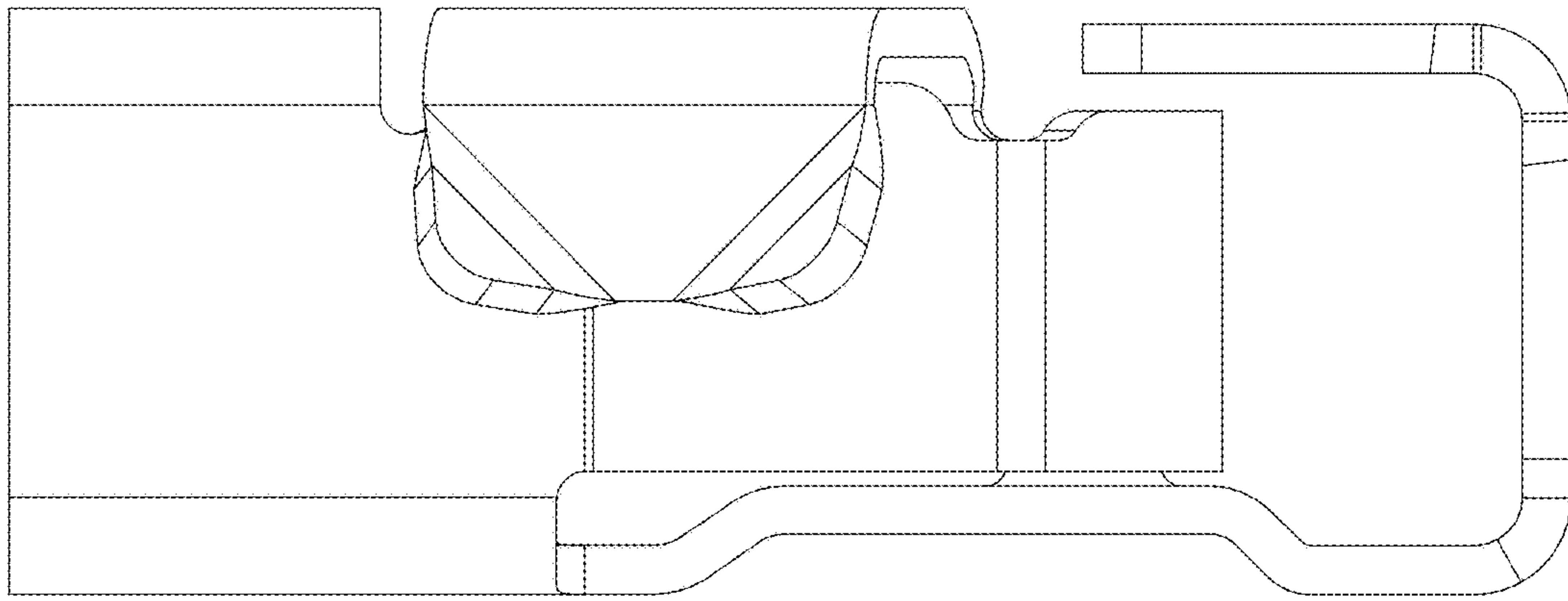


FIG.4

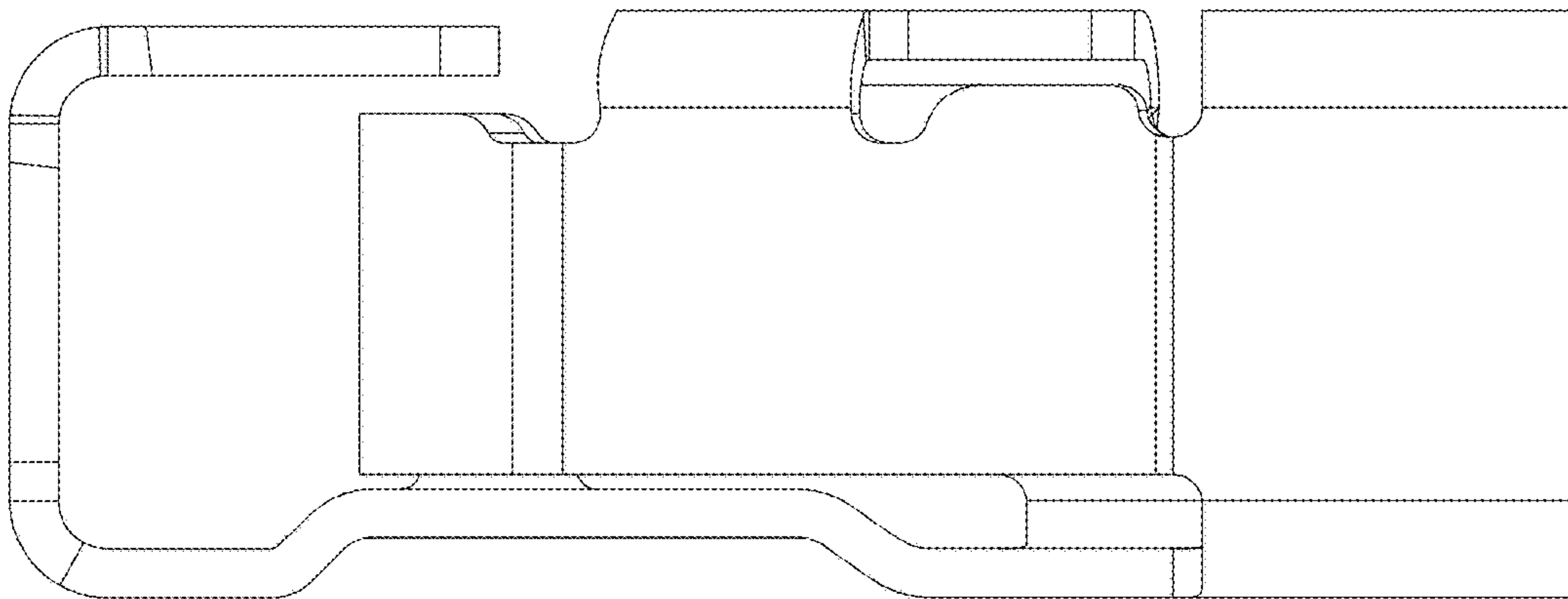


FIG.5

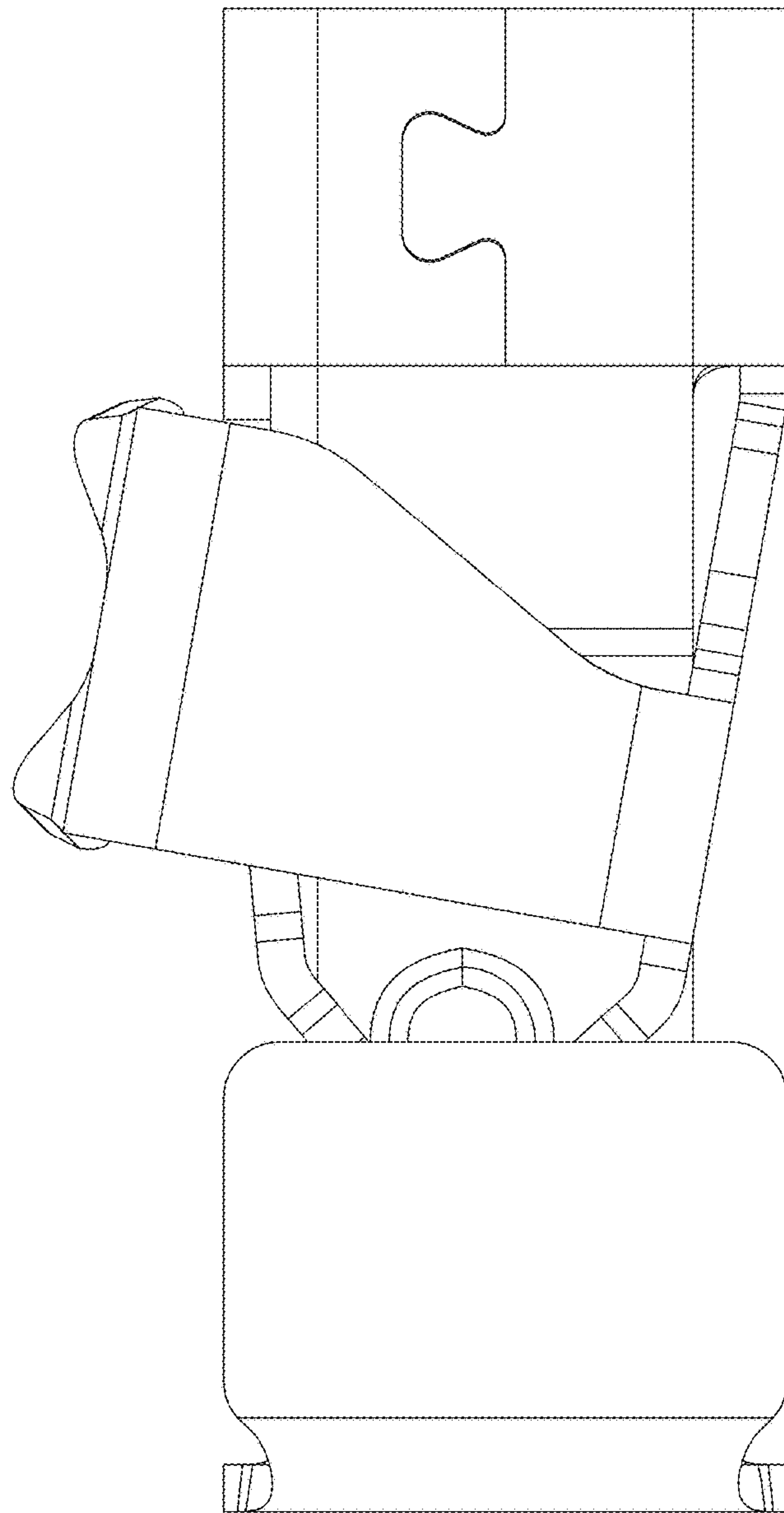


FIG.6

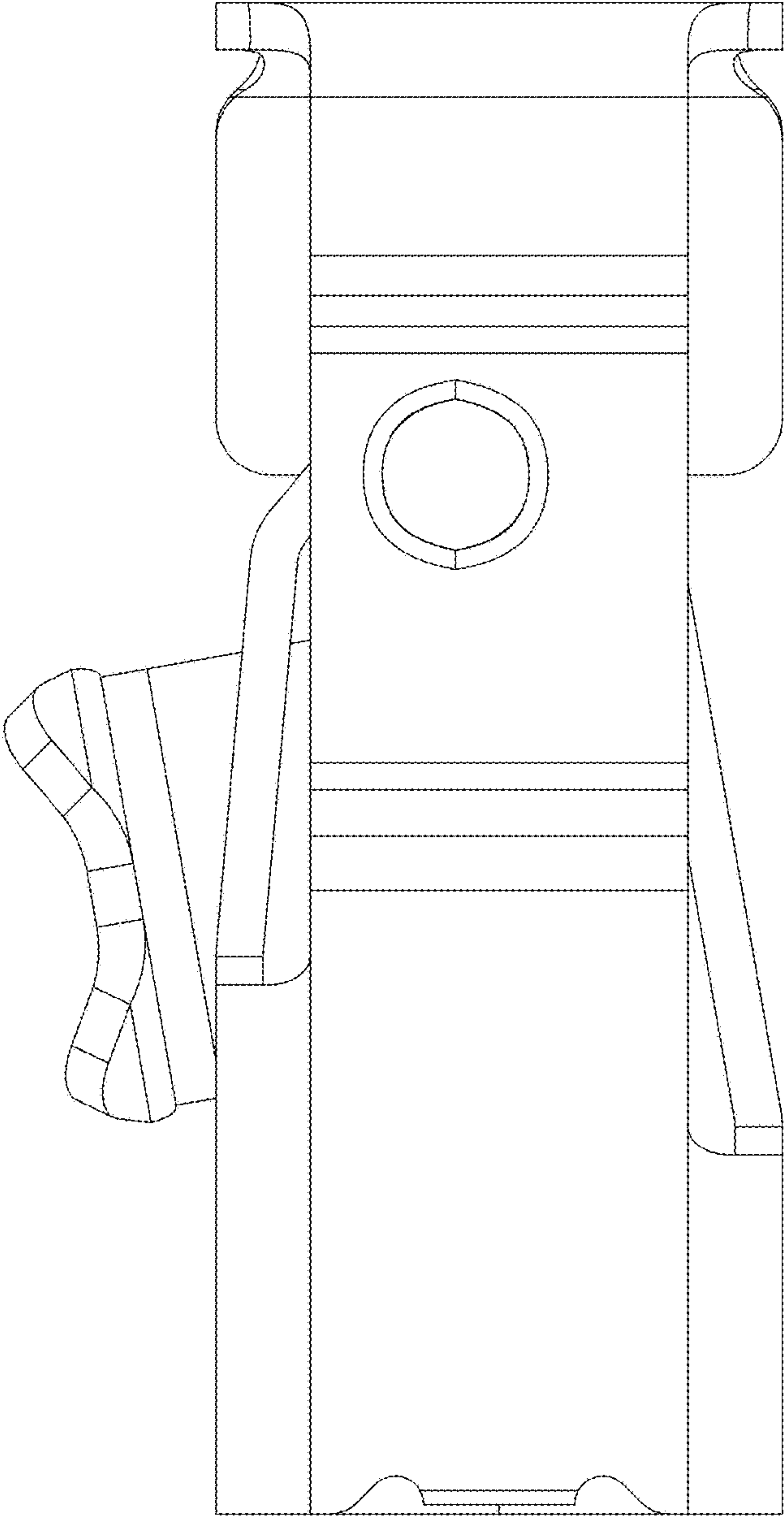


FIG.7

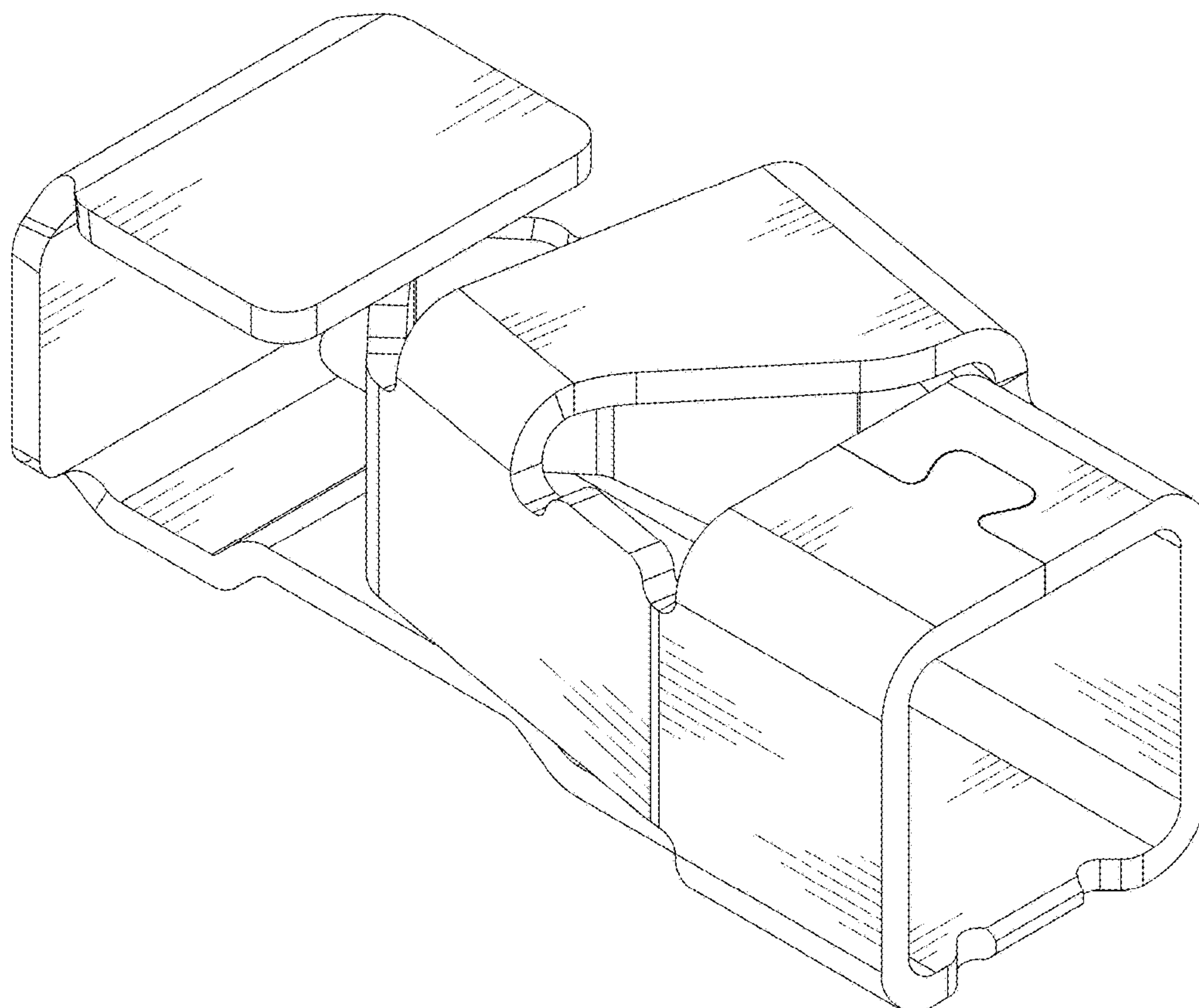


FIG.8

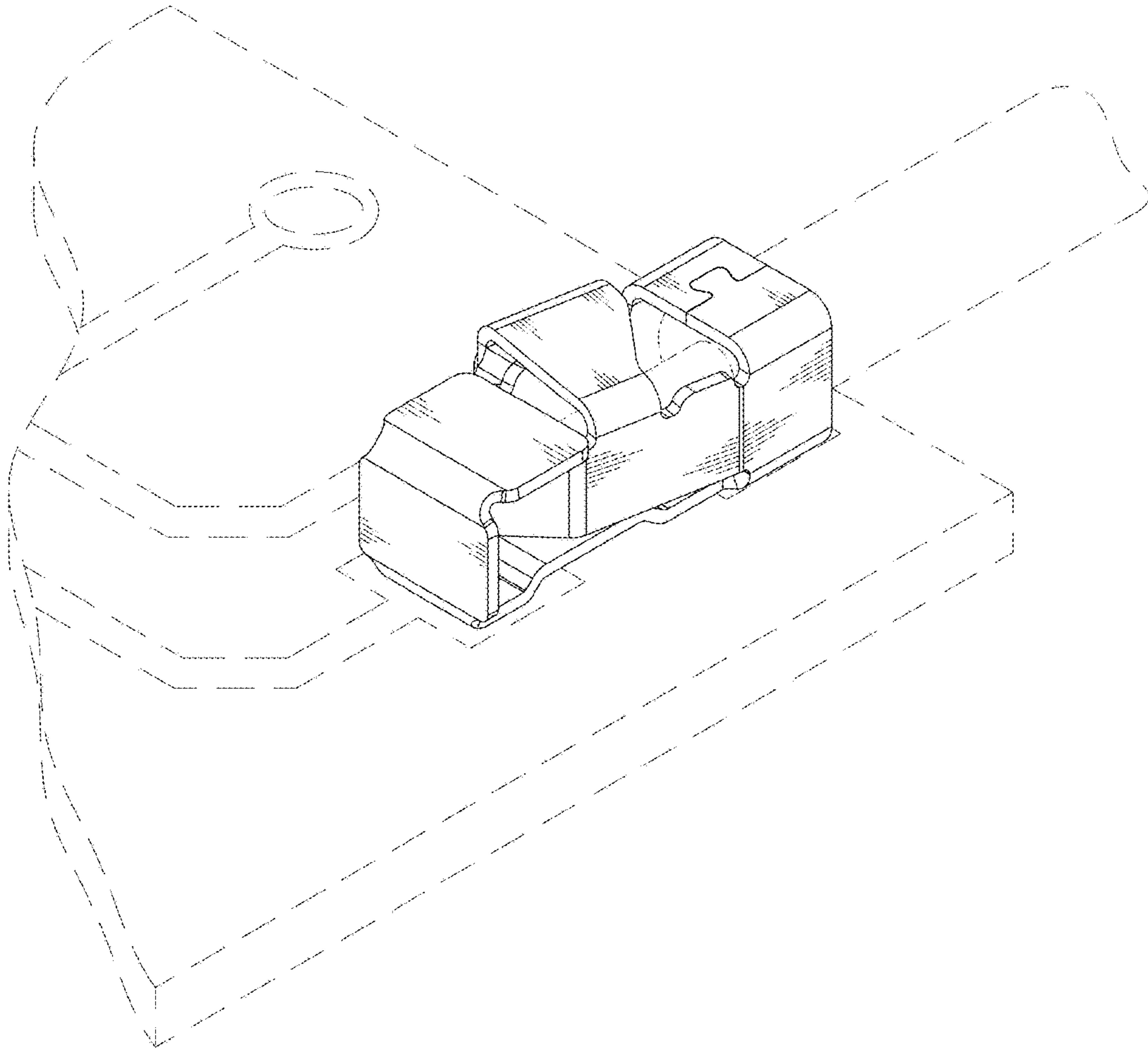


FIG.9

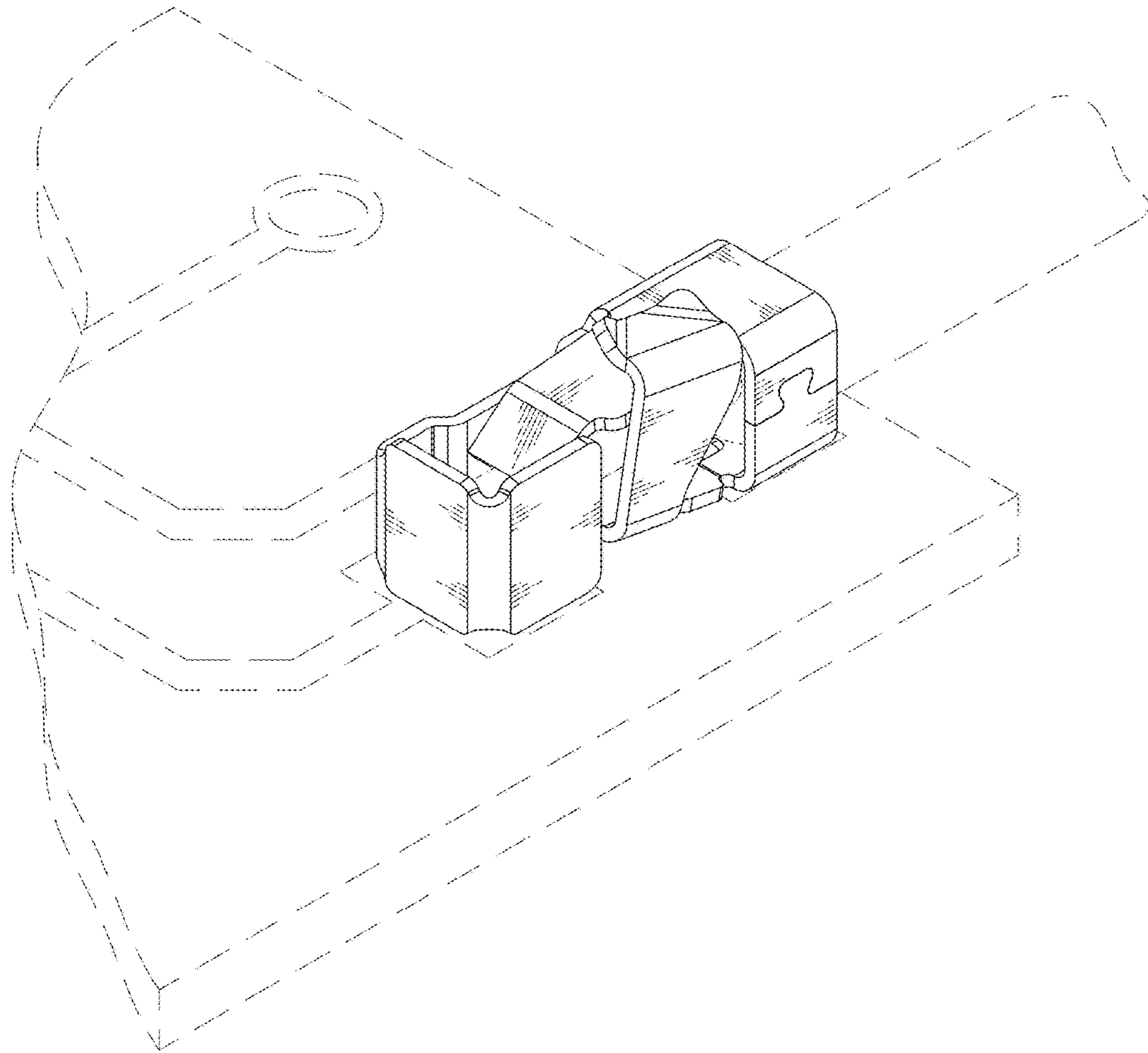


FIG.10