



US00D817880S

(12) **United States Design Patent**
Dobashi et al.

(10) **Patent No.:** **US D817,880 S**

(45) **Date of Patent:** **** May 15, 2018**

(54) **ELECTRICAL CONNECTOR**

(71) Applicant: **SMK Corporation**, Tokyo (JP)

(72) Inventors: **Manabu Dobashi**, Tokyo (JP); **Kiyoshi Asai**, Kanagawa (JP); **Fumio Osawa**, Tokyo (JP)

(73) Assignee: **SMK Corporation**, Tokyo (JP)

(**) Term: **15 Years**

(21) Appl. No.: **29/574,630**

(22) Filed: **Aug. 17, 2016**

(30) **Foreign Application Priority Data**

Mar. 1, 2016 (JP) 2016-004493

(51) **LOC (11) Cl.** **13-03**

(52) **U.S. Cl.**
USPC **D13/133**

(58) **Field of Classification Search**

USPC D13/101, 102, 103, 107, 108, 110, 118,
D13/119, 123, 133, 134, 135, 146, 147,
D13/148, 149, 150, 151, 153, 154, 155,
D13/156, 173, 184, 199
CPC H01R 13/40; H01R 13/64; H01R 13/66;
H01R 4/00; H01R 4/60; H01R 4/66;
H01R 13/00; H01R 13/44; H01R 13/52;
H01R 13/58; H01R 13/62; H01R 24/38;
H01R

(Continued)

(56) **References Cited**

U.S. PATENT DOCUMENTS

6,862,804 B2 * 3/2005 Nishio H04N 5/2253
29/740

2006/0258218 A1 * 11/2006 Chen H01R 9/226
439/607.35

(Continued)

OTHER PUBLICATIONS

Esky HD Color CMOS, posted at Amazon.com, posted on Jul. 22, 2015, [online], [site visited May 22, 2017]. Available from Internet, <<https://www.amazon.com/Esky-Waterproof-Vision-Vehicle-Backup/product-reviews/B00XTZUHOM>>.*

(Continued)

Primary Examiner — Mary Ann Calabrese

Assistant Examiner — Catherine Ho

(74) *Attorney, Agent, or Firm* — Mark Malek; Widerman Malek, PL

(57) **CLAIM**

The ornamental design for an electrical connector, as shown and described.

DESCRIPTION

FIG. 1 is a front elevation view of an electrical connector according to the present invention.

FIG. 2 is a rear elevation view of the electrical connector illustrated in FIG. 1.

FIG. 3 is a top plan view of the electrical connector illustrated in FIG. 1.

FIG. 4 is a bottom plan view of the electrical connector illustrated in FIG. 1.

FIG. 5 is a right side elevation view of the electrical connector illustrated in FIG. 1, and wherein a left side elevation view of the electrical connector is symmetric to the right side elevation view.

FIG. 6 is a perspective view 1 of the electrical connector illustrated in FIG. 1.

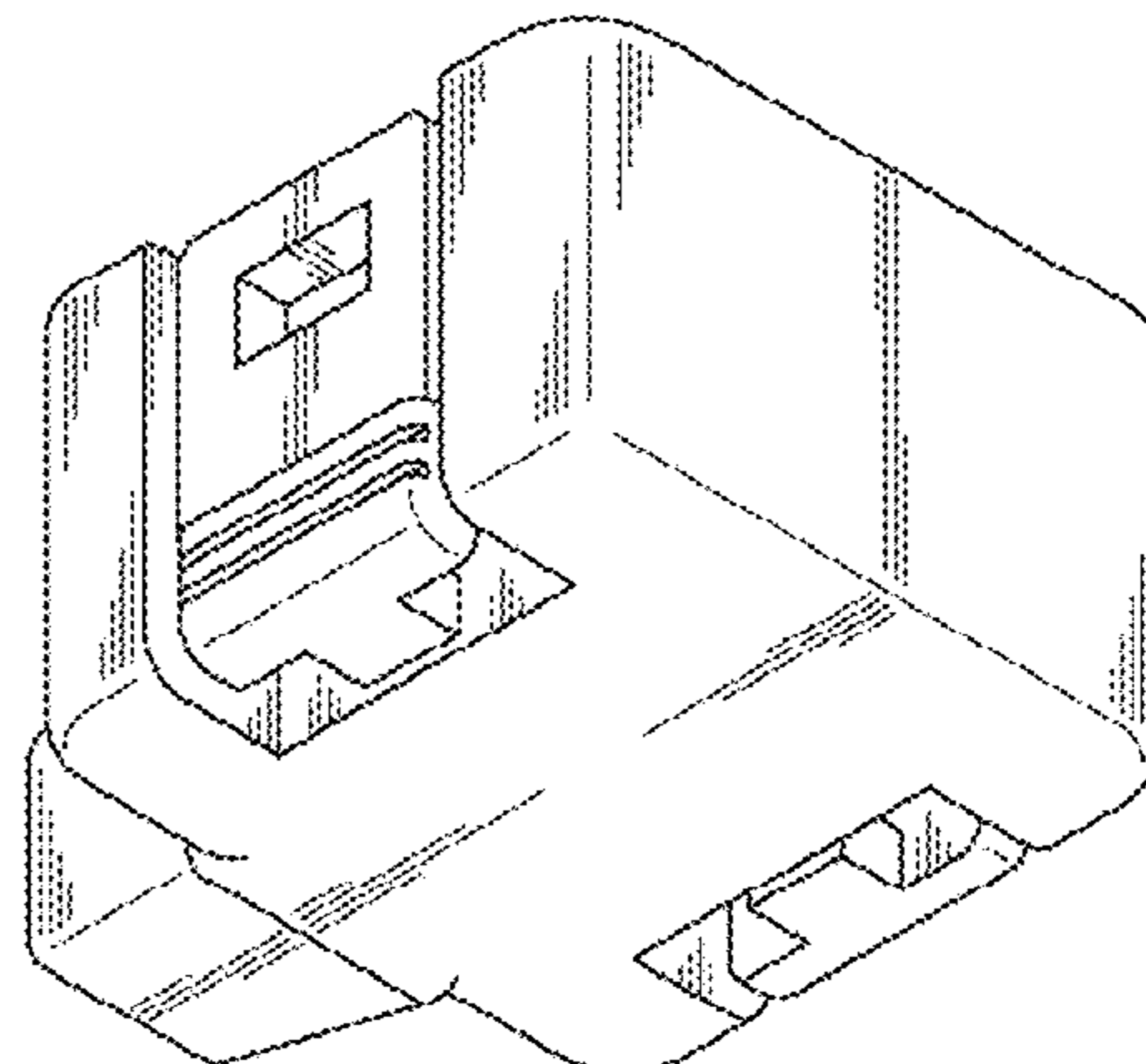
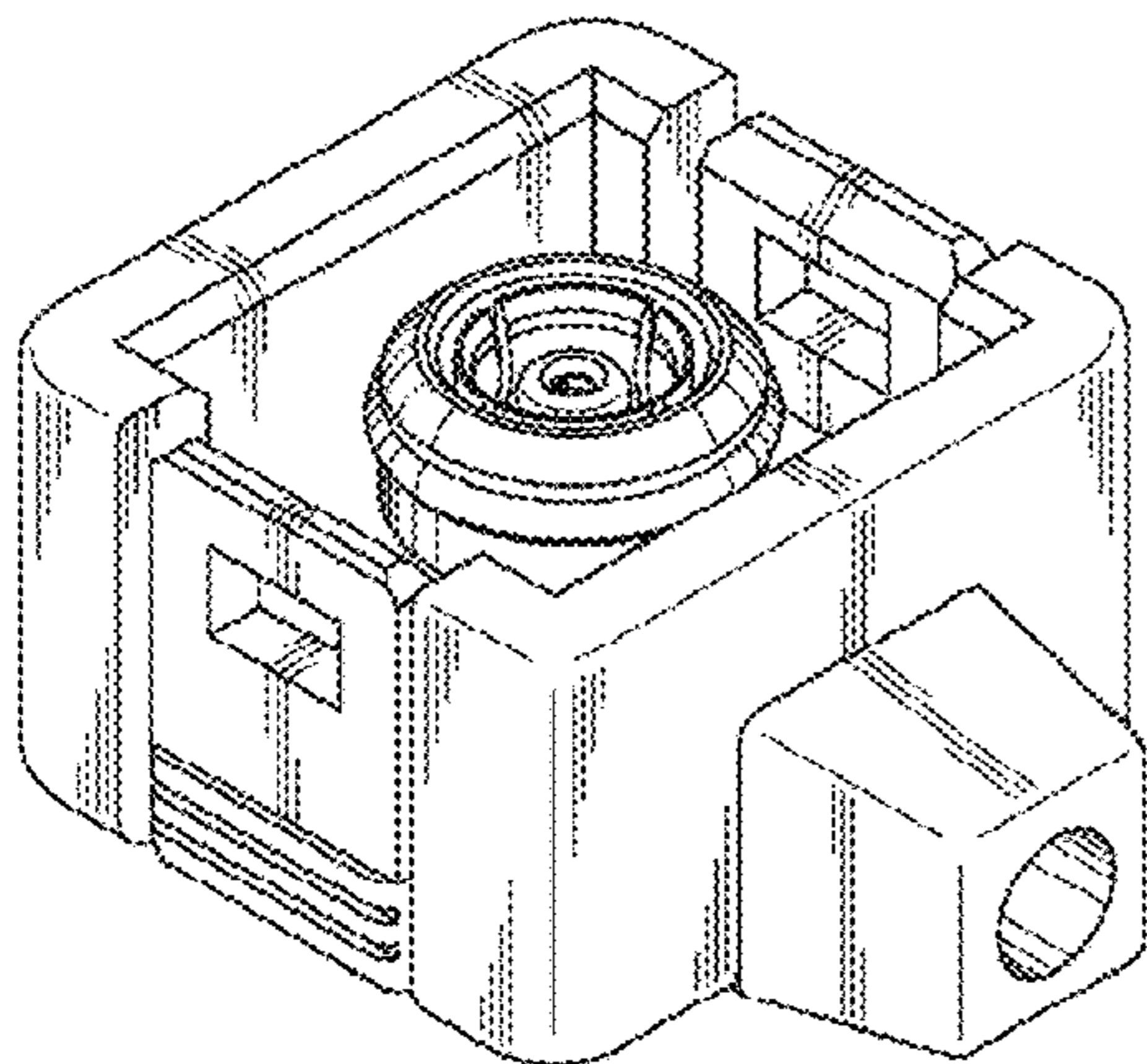
FIG. 7 is another perspective view of the electrical connector illustrated in FIG. 1.

FIG. 8 is a cross sectional view of the electrical connector taken along line 8-8 of FIG. 1; and,

FIG. 9 is a cross sectional view of the electrical connector taken along line 9-9 of FIG. 1.

The broken line portion of the figure drawings is included to show portions of the article that forms no part of the claimed design.

1 Claim, 9 Drawing Sheets



(58) **Field of Classification Search**

CPC 43/00; H01R 43/18; H01R 43/22; G02B
6/38; G02B 6/4442; G02B 6/42; G02B
6/40; G02B 6/3897; G02B 6/36; G02B
6/32; G02B 6/26; G02B 6/24; G02B 6/00

See application file for complete search history.

2015/0198760 A1* 7/2015 Wilcox G02B 6/0038
362/606
2015/0255908 A1* 9/2015 Takamura H01R 13/2414
439/370
2016/0313520 A1* 10/2016 Shinohara G02B 7/021

OTHER PUBLICATIONS

(56)

References Cited

U.S. PATENT DOCUMENTS

2009/0247008 A1* 10/2009 Chen H01R 13/41
439/578
2011/0211821 A1* 9/2011 Park G03B 5/02
396/55
2012/0106936 A1* 5/2012 Lim G03B 5/02
396/55
2012/0224075 A1* 9/2012 Lim G02B 27/646
348/208.11
2015/0029337 A1* 1/2015 Uchiyama H04N 5/2252
348/148

Buyee 170 Degree Wide Angle Car Rear View, posted at Amazon.com, posted on Mar. 26, 2014, [online], [site visited May 22, 2017]. Available from Internet, <<https://www.amazon.com/Buyee-Degree-Reverse-Waterproof-Monitor/dp/B00J9OSAQ4>>.*
9 LED Car Rear View Reverse Backup Camera, posted at Amazon.com, posted at Mar. 18, 2014, [online], [site visited May 22, 2017]. Available from Internet, <<https://www.amazon.com/Reverse-Backup-Camera-Night-Vision/dp/B005IEXXKM>>.*
BW-5HAD, posted at Eyespyvideo.com, posted on Sep. 9, 2010, [online], [site visited May 22, 2017]. Available from Internet, <<http://www.eyespyvideo.com/BW-5HAD.html?mode=add&page=>>>.*

* cited by examiner

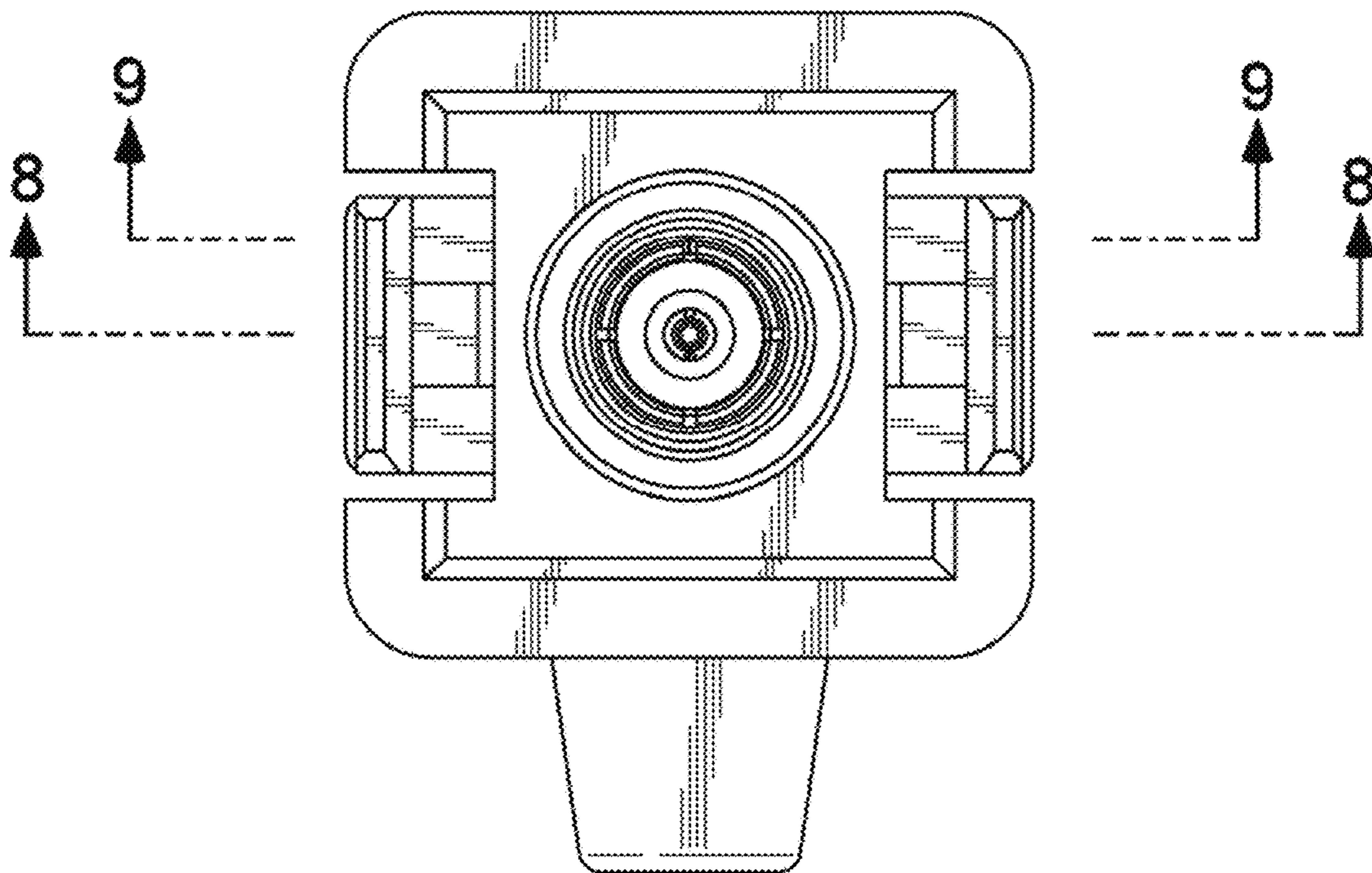


FIG. 1

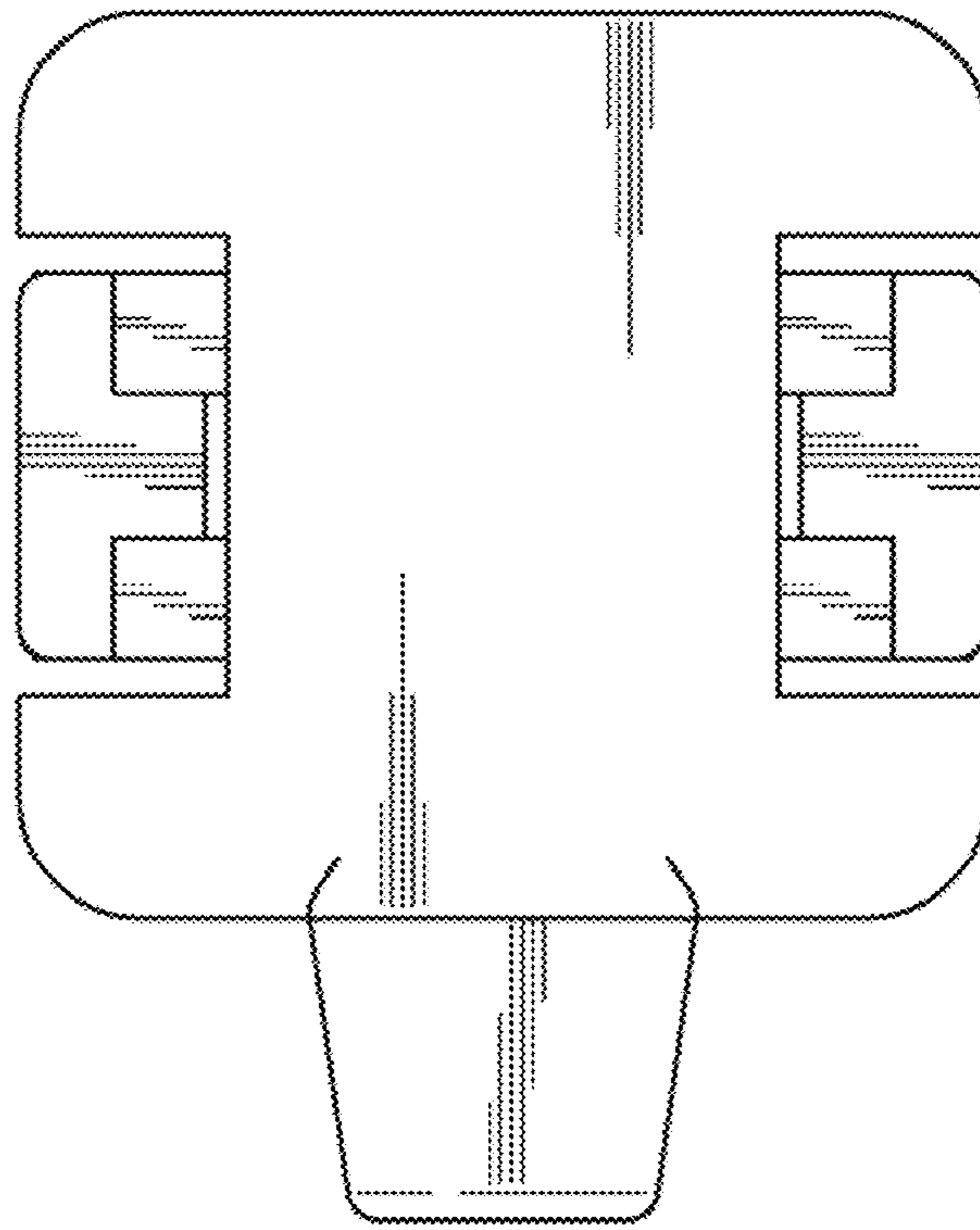


FIG. 2

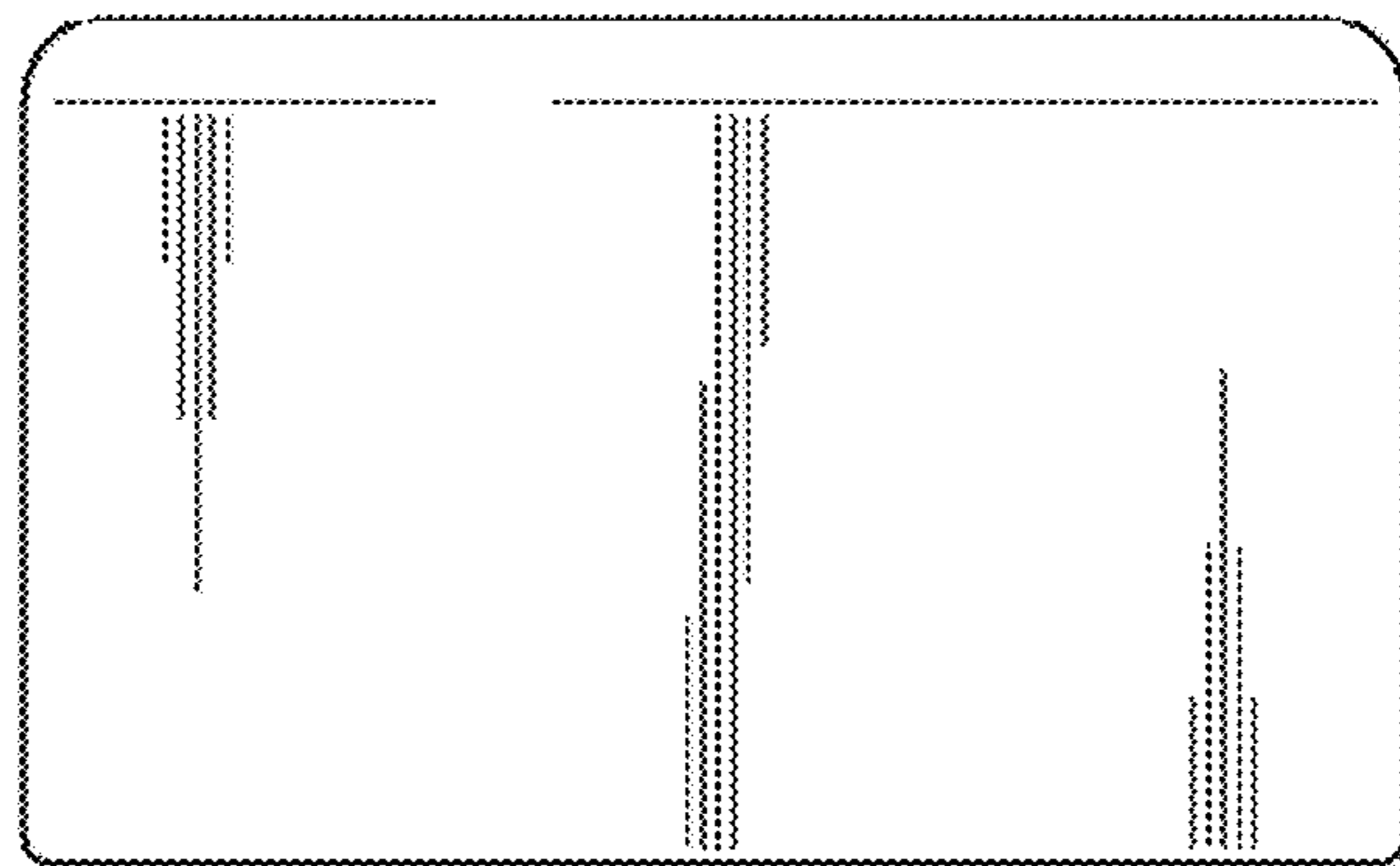


FIG. 3

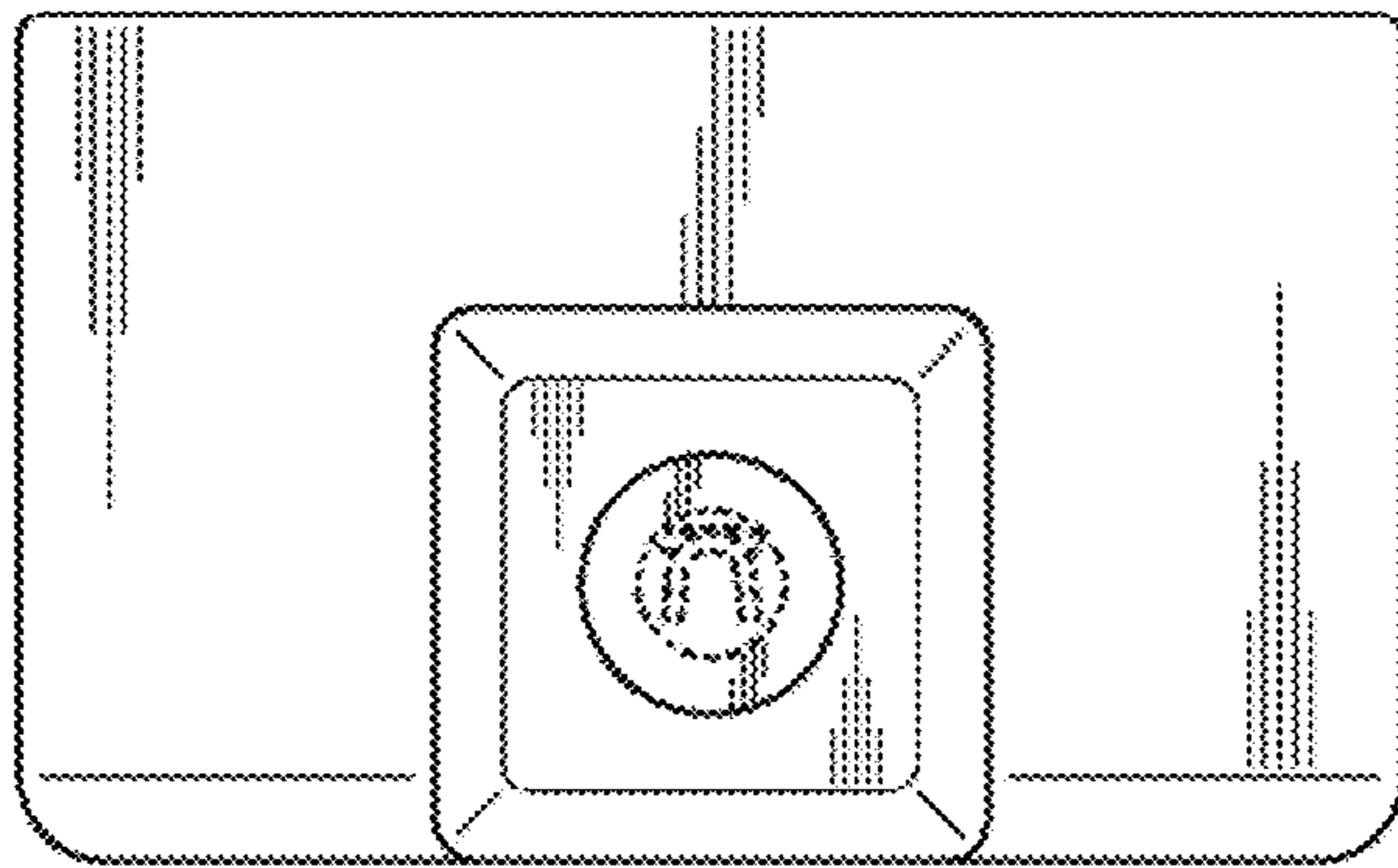


FIG. 4

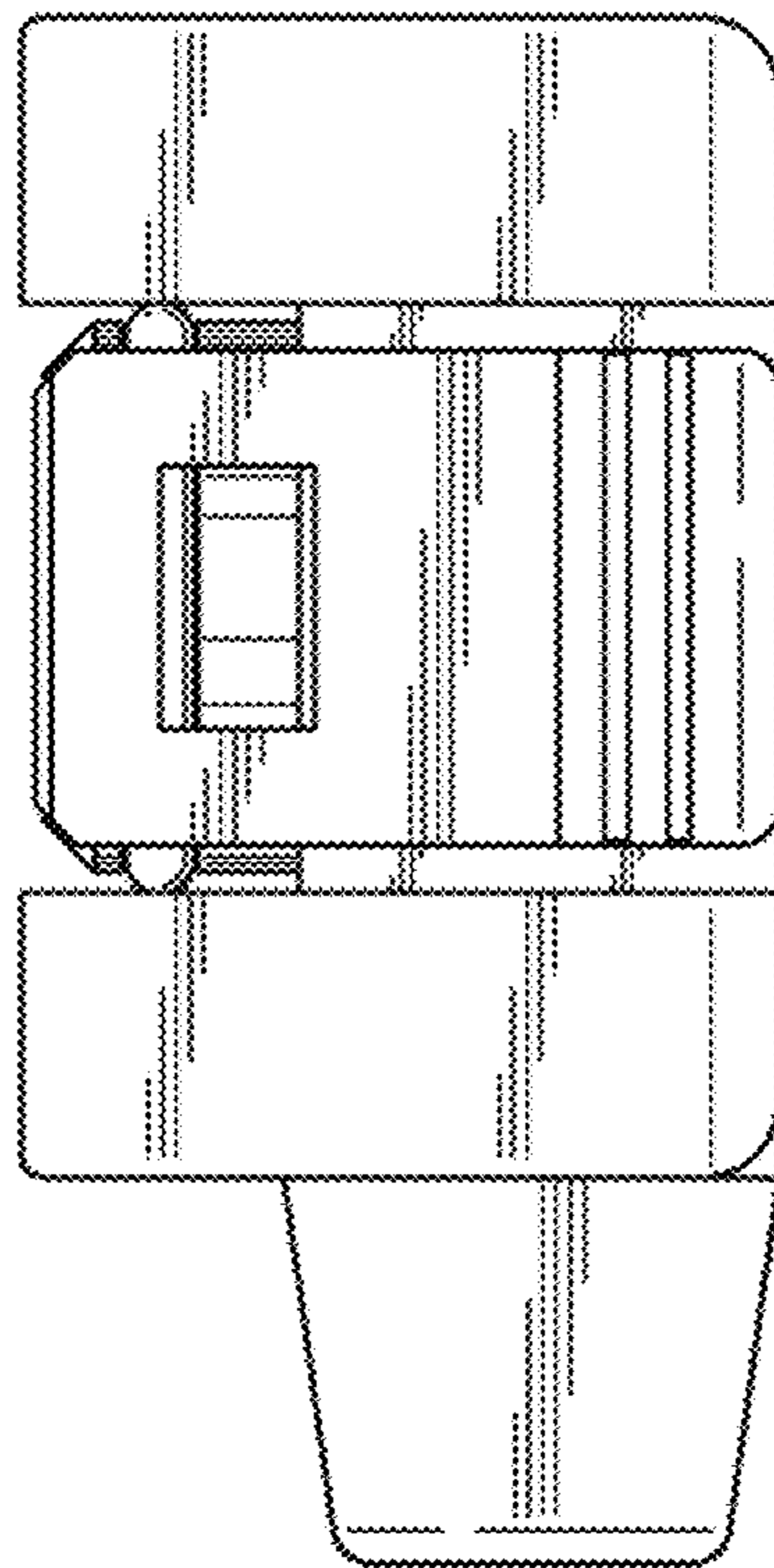


FIG. 5

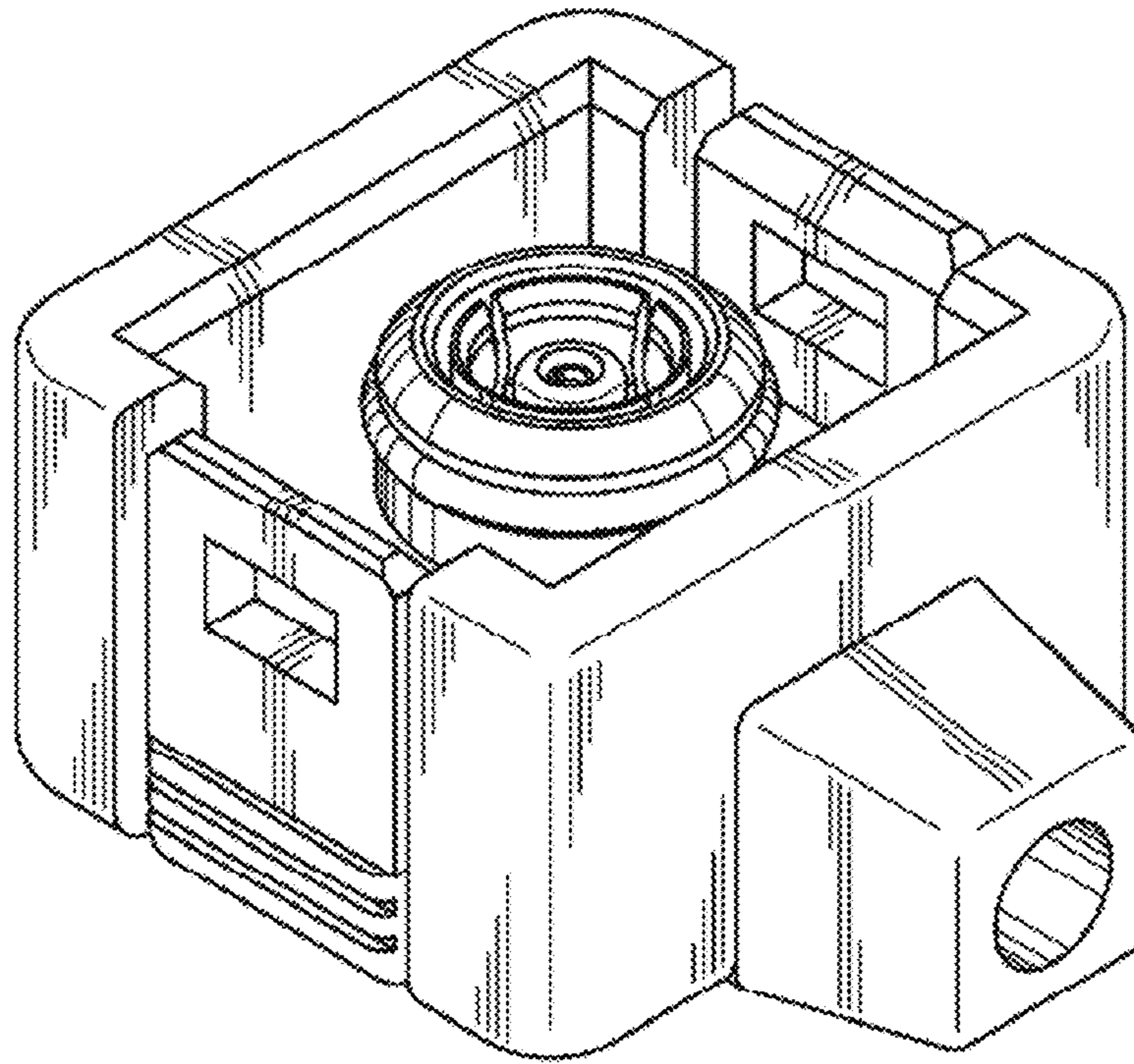


FIG. 6

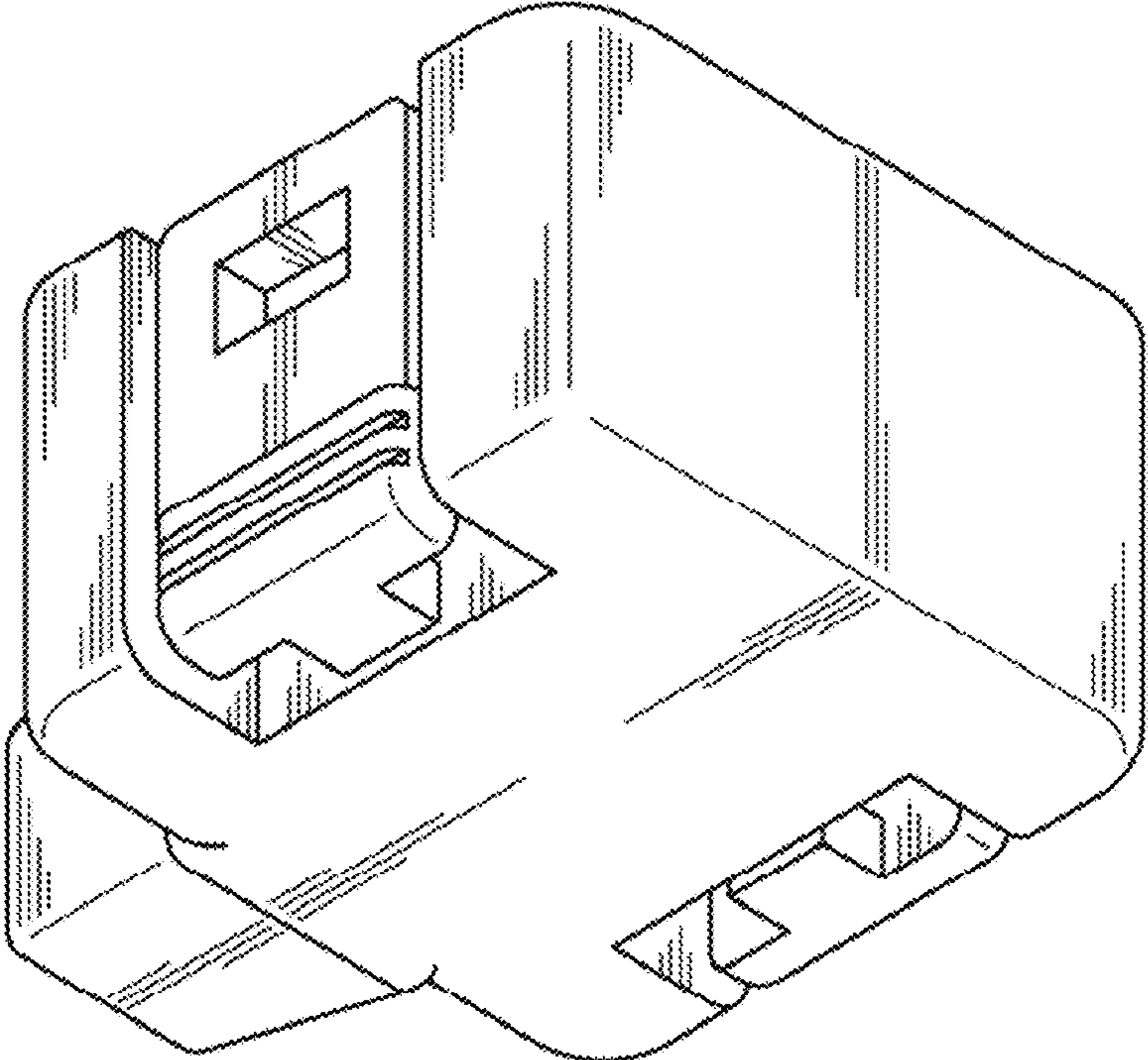


FIG. 7

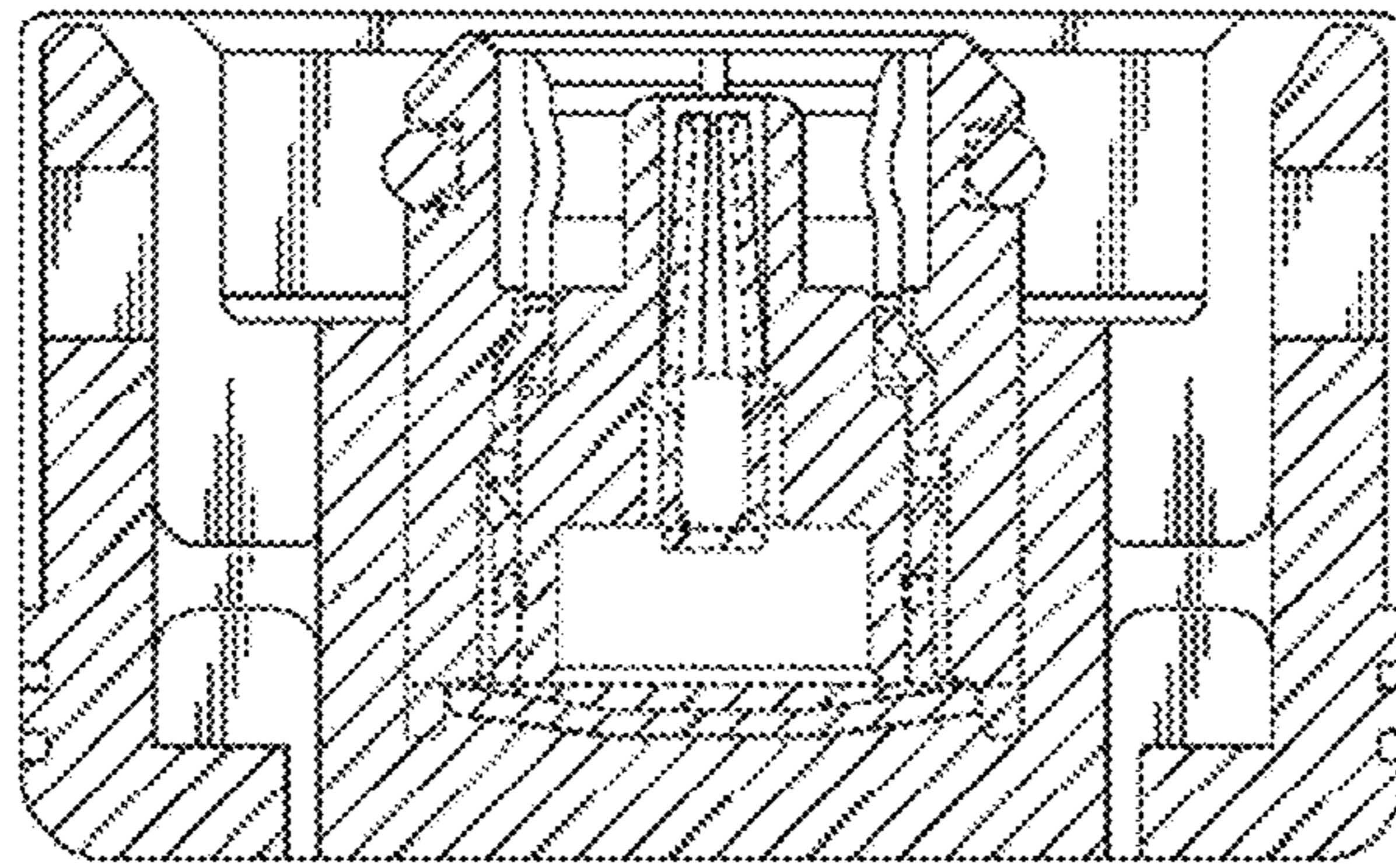


FIG. 8

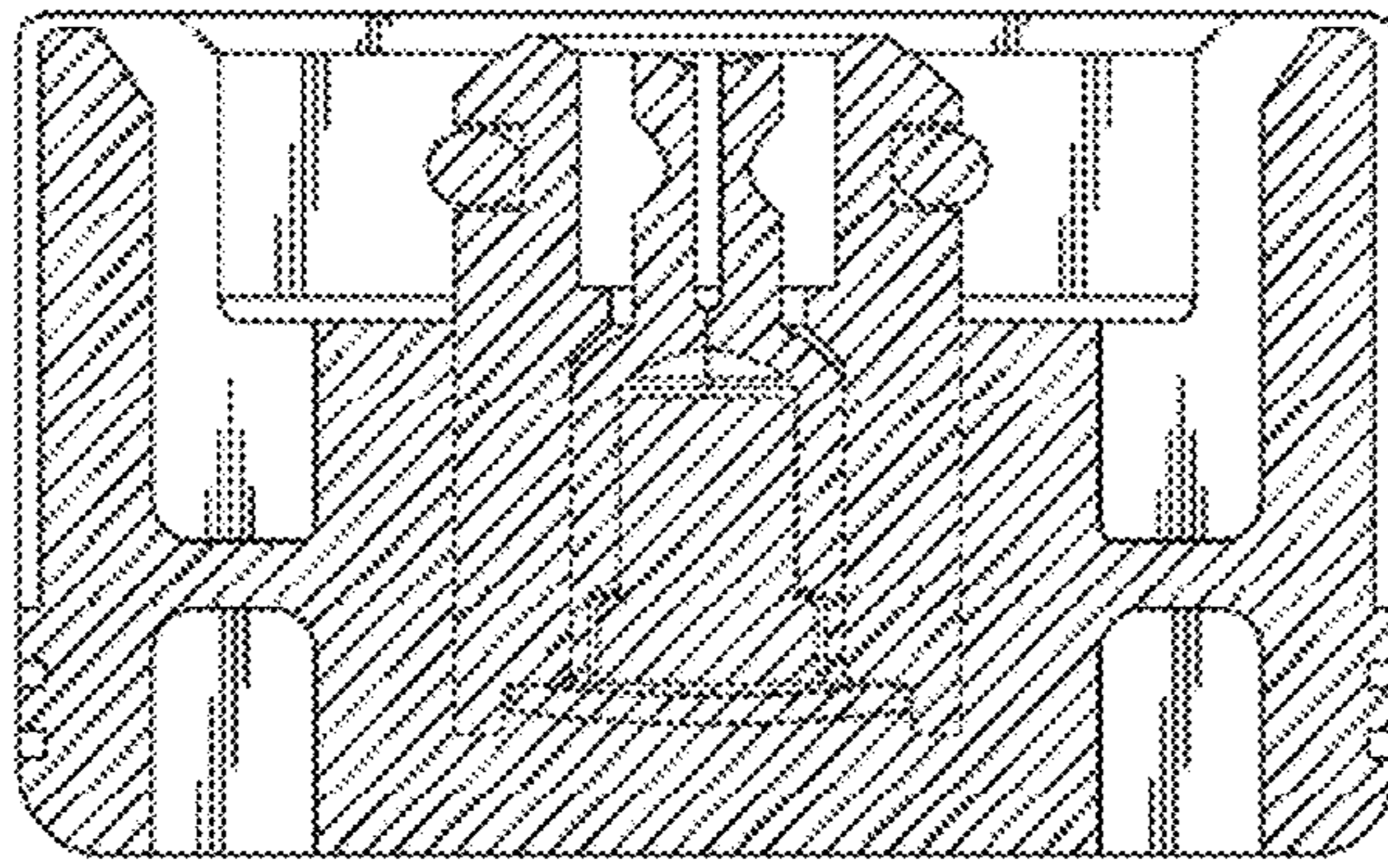


FIG. 9