



US00D817879S

(12) **United States Design Patent**
Shu et al.

(10) **Patent No.:** **US D817,879 S**
(45) **Date of Patent:** **** May 15, 2018**

- (54) **SERVO**
- (71) Applicant: **UBTECH Robotics Corp.**, Shenzhen (CN)
- (72) Inventors: **Wenquan Shu**, Shenzhen (CN);
Youjun Xiong, Shenzhen (CN)
- (73) Assignee: **UBTECH ROBOTICS CORP.**, Shenzhen (CN)
- (**) Term: **15 Years**
- (21) Appl. No.: **29/584,869**
- (22) Filed: **Nov. 17, 2016**
- (30) **Foreign Application Priority Data**
Jul. 8, 2016 (CN) 2016 3 0312059
- (51) **LOC (11) Cl.** **13-01**
- (52) **U.S. Cl.**
USPC **D13/112**
- (58) **Field of Classification Search**
USPC D12/180; D13/101, 102, 103, 107, 112,
D13/114, 115, 116, 118, 122, 133, 162.1,
D13/184, 199; D14/188; D23/315, 356,
D23/377; D25/35; D32/17, 68, 70, 71,
D32/73
CPC B25J 3/04; B25J 9/14; F15B 18/00; G05B
19/23; G05B 2219/42199; G05B
2219/42213; G05B 2219/43196; G05D
3/14; G05D 3/1445; G06F 3/014; H02P
23/186; Y10S 294/907
See application file for complete search history.

- (56) **References Cited**
U.S. PATENT DOCUMENTS
6,450,755 B1 * 9/2002 Cameron H01L 21/67259
414/222.09
7,243,562 B2 * 7/2007 Enright A63H 30/04
74/89.2

- 7,671,497 B2 * 3/2010 Pettey A63H 29/24
310/75 R
 - 7,891,902 B2 * 2/2011 Pettey F16C 3/00
403/305
 - D649,971 S * 12/2011 Lyford D13/133
 - D674,343 S * 1/2013 Chen D13/112
 - D682,783 S * 5/2013 Chen D13/112
 - 8,816,553 B2 * 8/2014 Pettey F16C 35/045
310/89
 - D720,293 S * 12/2014 Saunders D13/133
 - D793,337 S * 8/2017 Christensen D13/112
- (Continued)

OTHER PUBLICATIONS

Frontier UBTECH, posted at Amazon.com, posted on Oct. 10, 2016, site visited Nov. 3, 2017. Available from Internet: <https://www.amazon.ca/Frontier-UBTECH-Alpha-Digital-UBT-12HC/dp/B01M0CGOY9>.*

Primary Examiner — Mary Ann Calabrese
Assistant Examiner — Catherine Ho

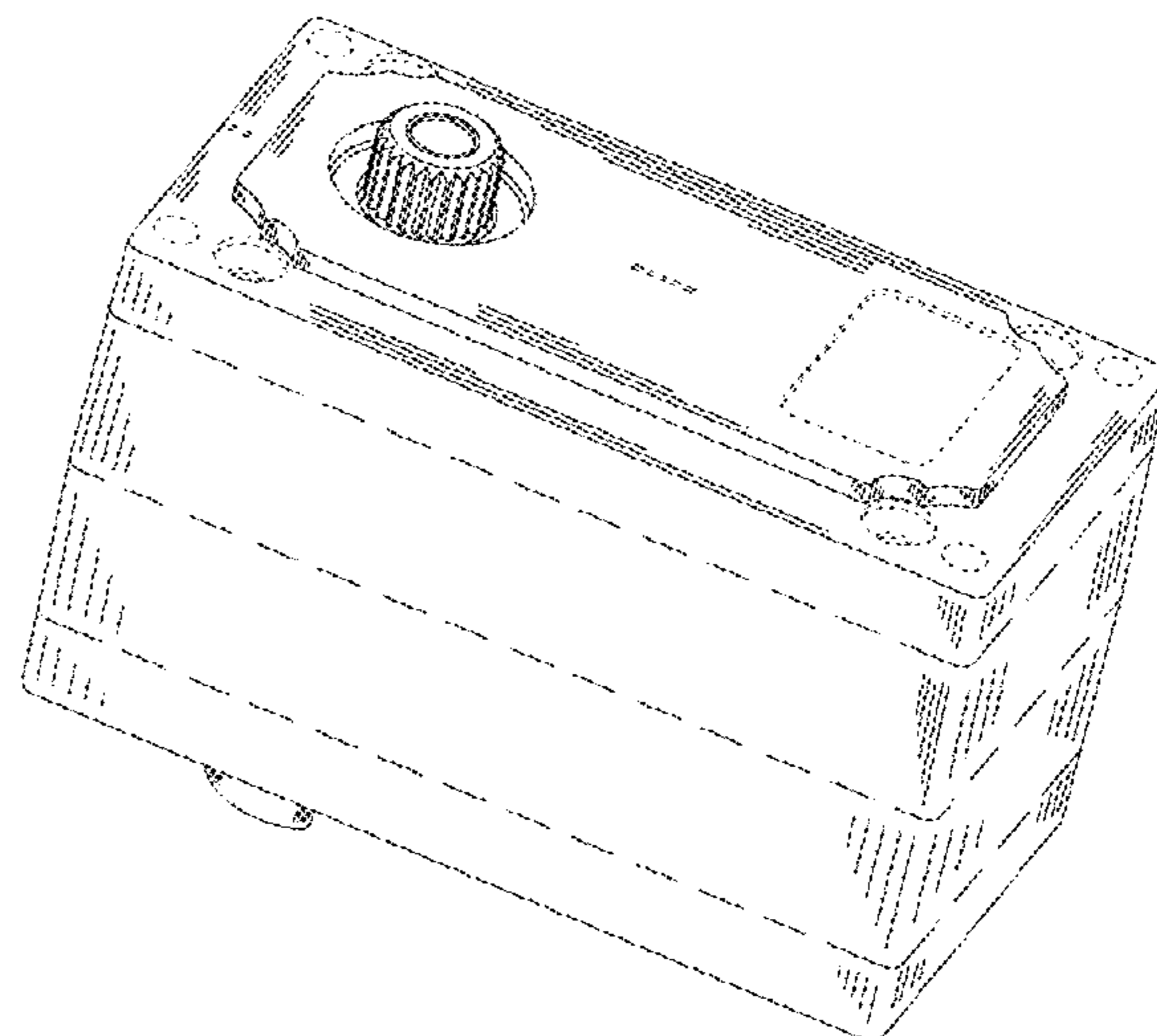
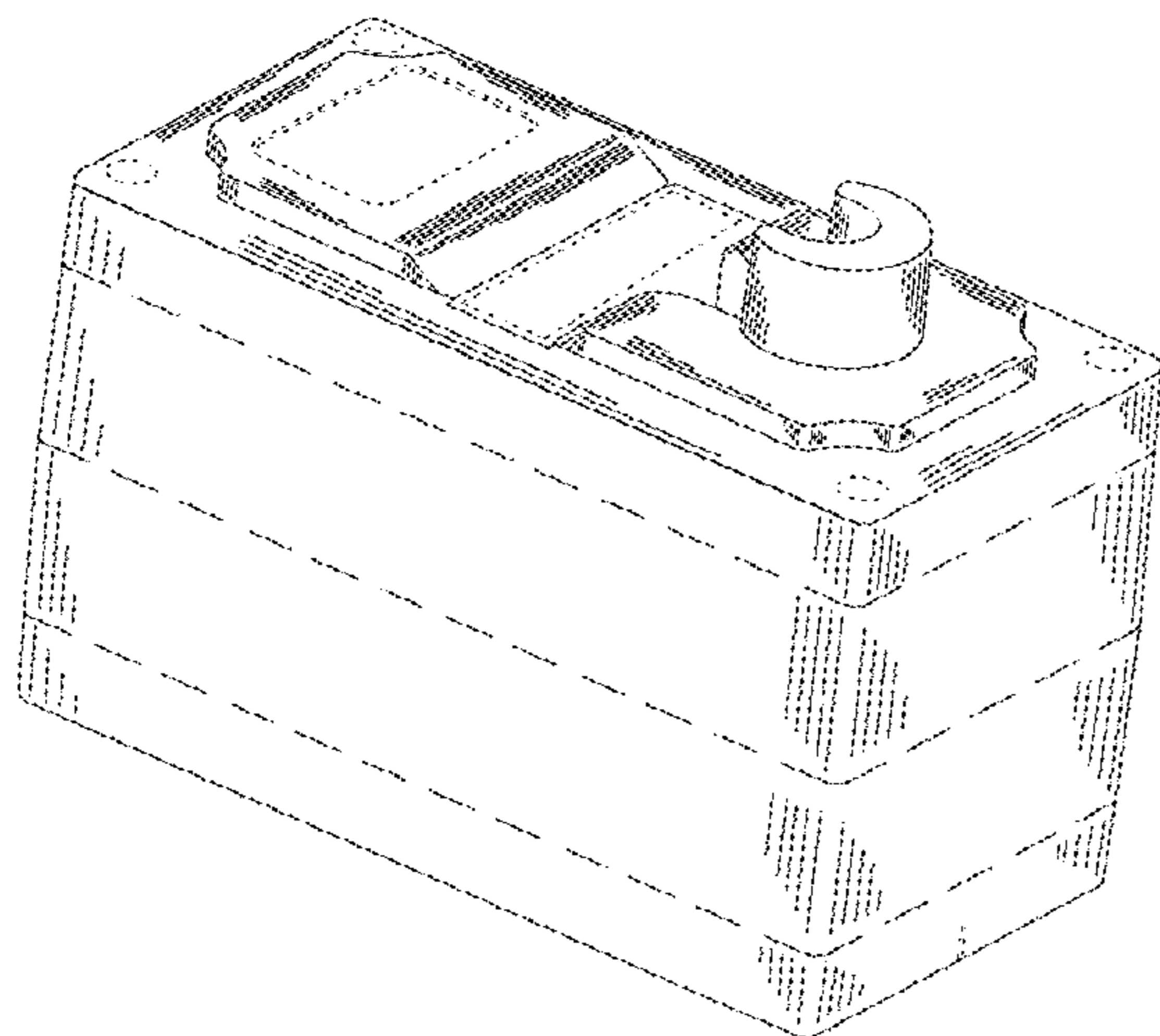
(57) **CLAIM**

The ornamental design for a servo, as shown and described.

DESCRIPTION

FIG. 1 is a first perspective view of a servo showing our new design;
FIG. 2 is a second perspective view of the servo showing our new design;
FIG. 3 is a front elevational view thereof;
FIG. 4 is a rear elevational view thereof;
FIG. 5 is a left side elevational view thereof;
FIG. 6 is a right side elevational view thereof;
FIG. 7 is a top plan view thereof; and,
FIG. 8 is a bottom plan view thereof.
All broken line portions of the figure drawings are included to show portions of the article that form no part of the claimed design.

1 Claim, 8 Drawing Sheets



(56)

References Cited

U.S. PATENT DOCUMENTS

2003/0120388 A1* 6/2003 Kuroki B62D 57/032
700/245
2004/0160133 A1* 8/2004 Jinno A63H 29/22
310/31
2004/0237679 A1* 12/2004 Enright A63H 30/04
74/89.2

* cited by examiner

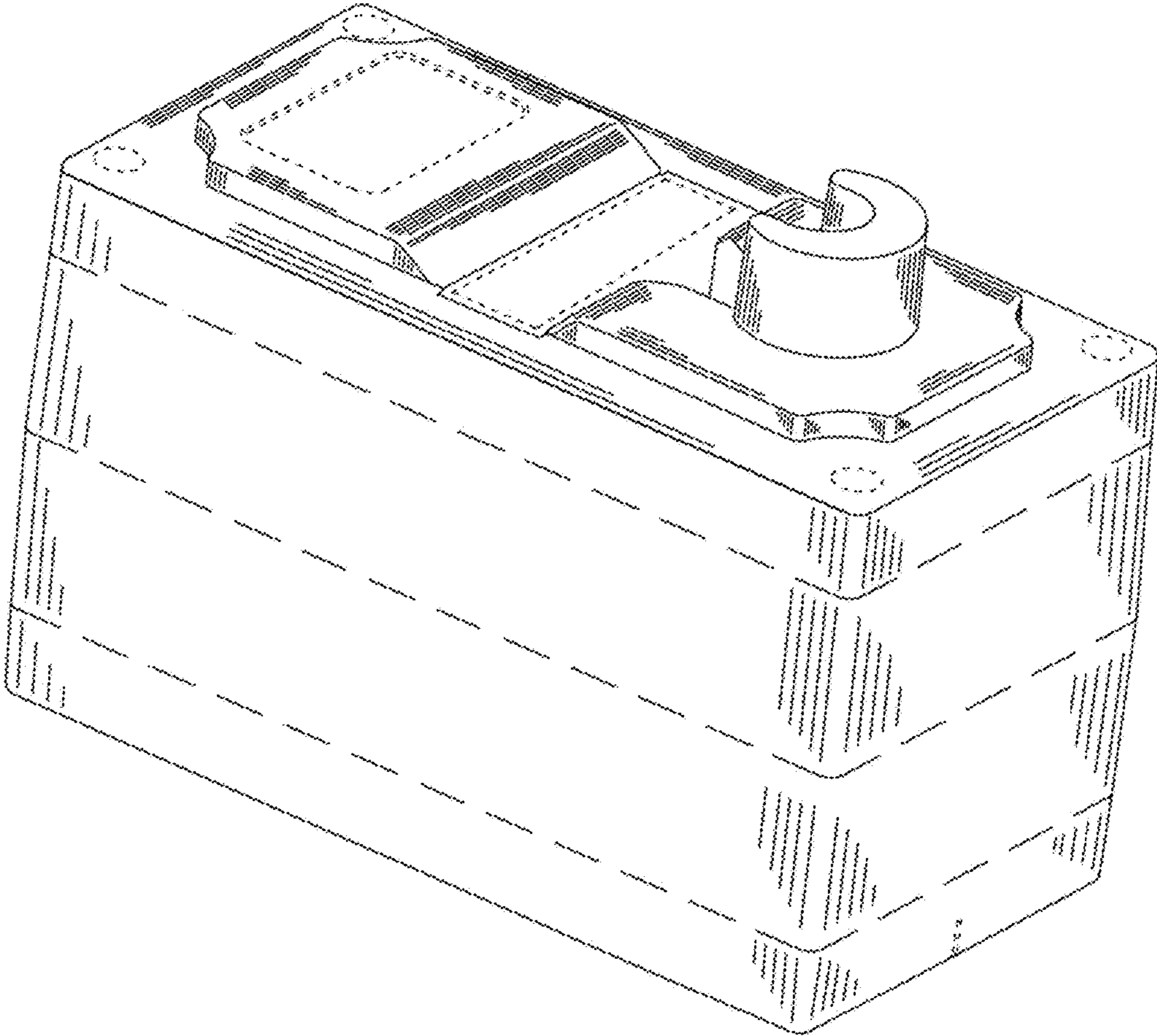


FIG. 1

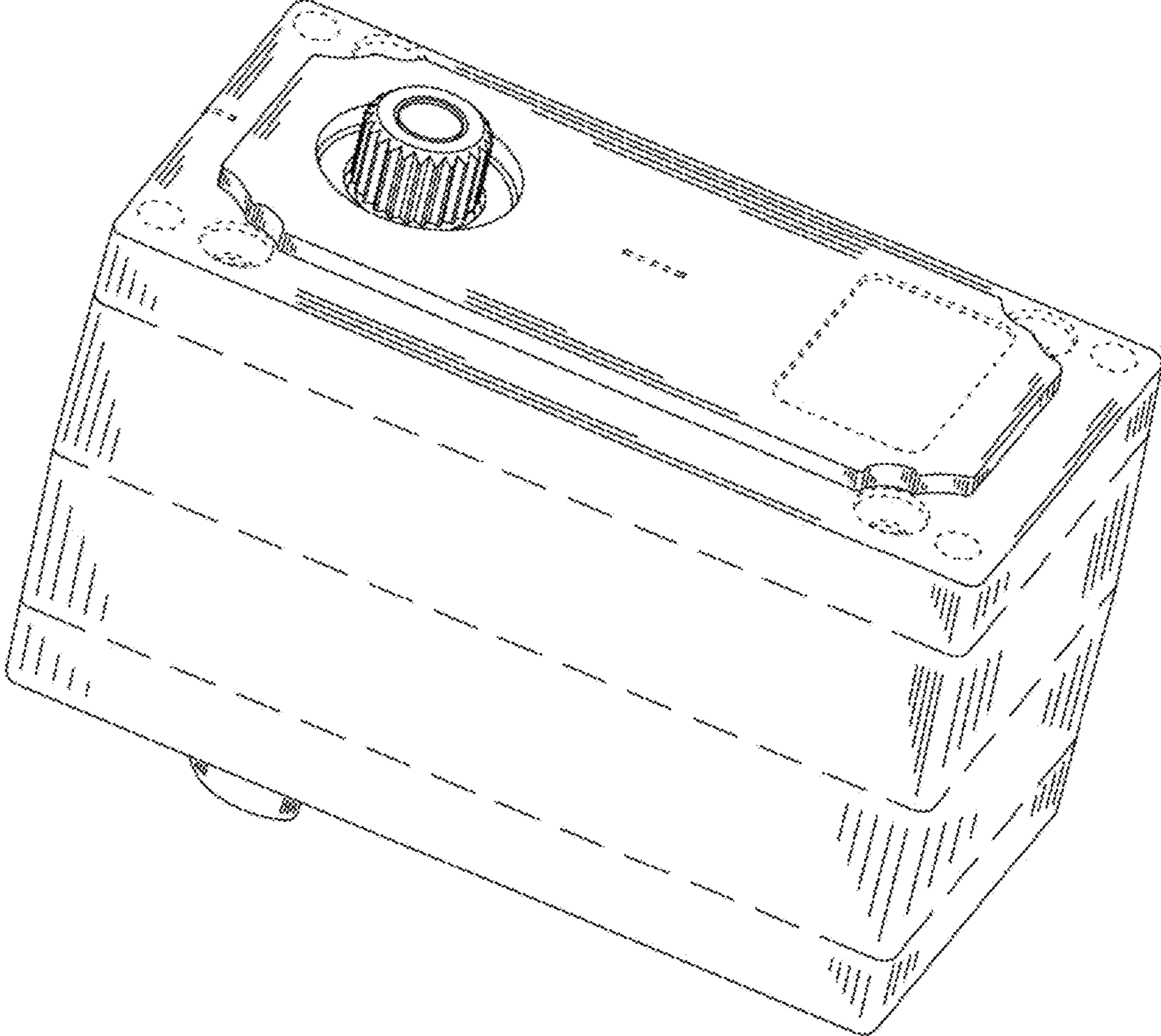


FIG. 2

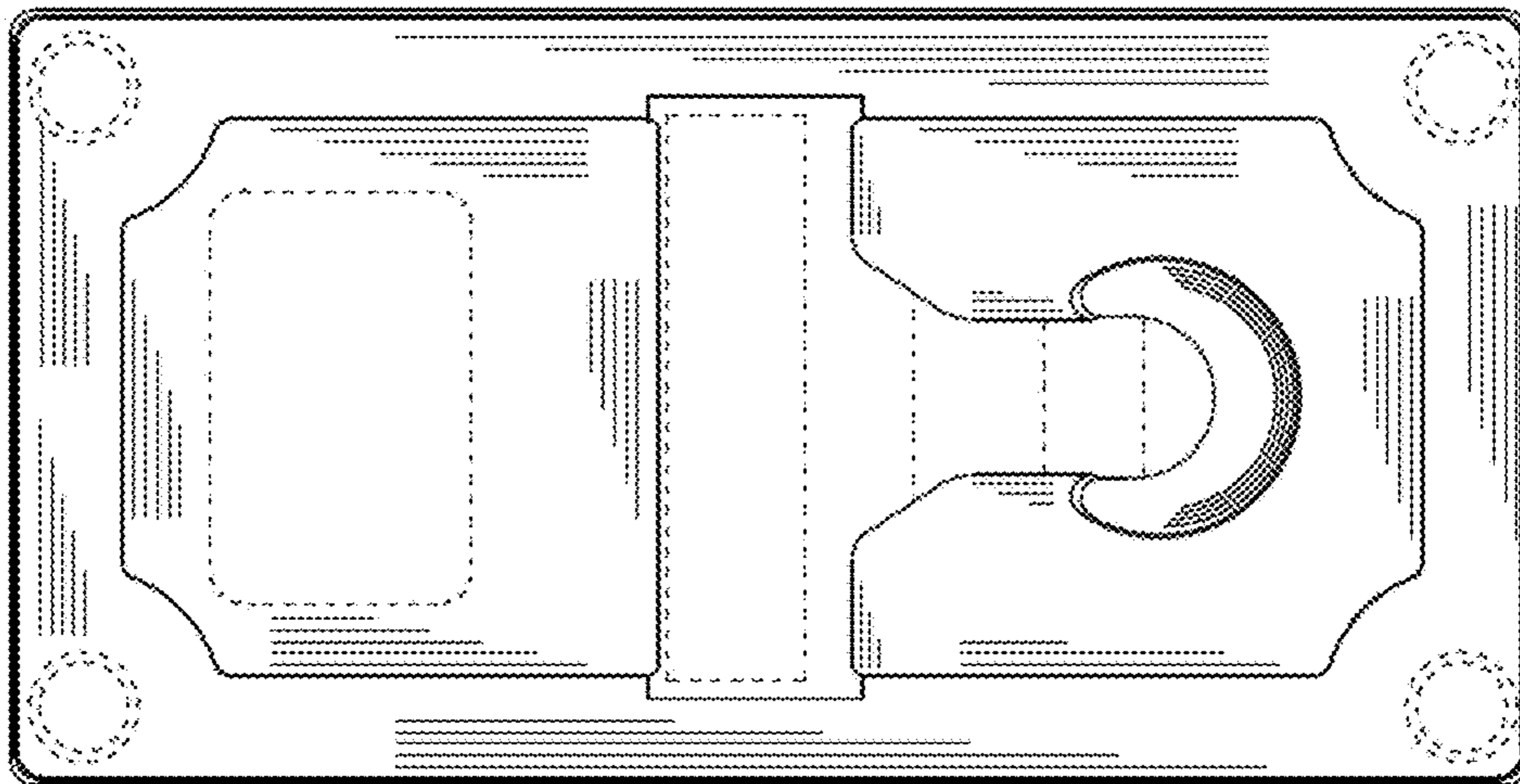


FIG. 3

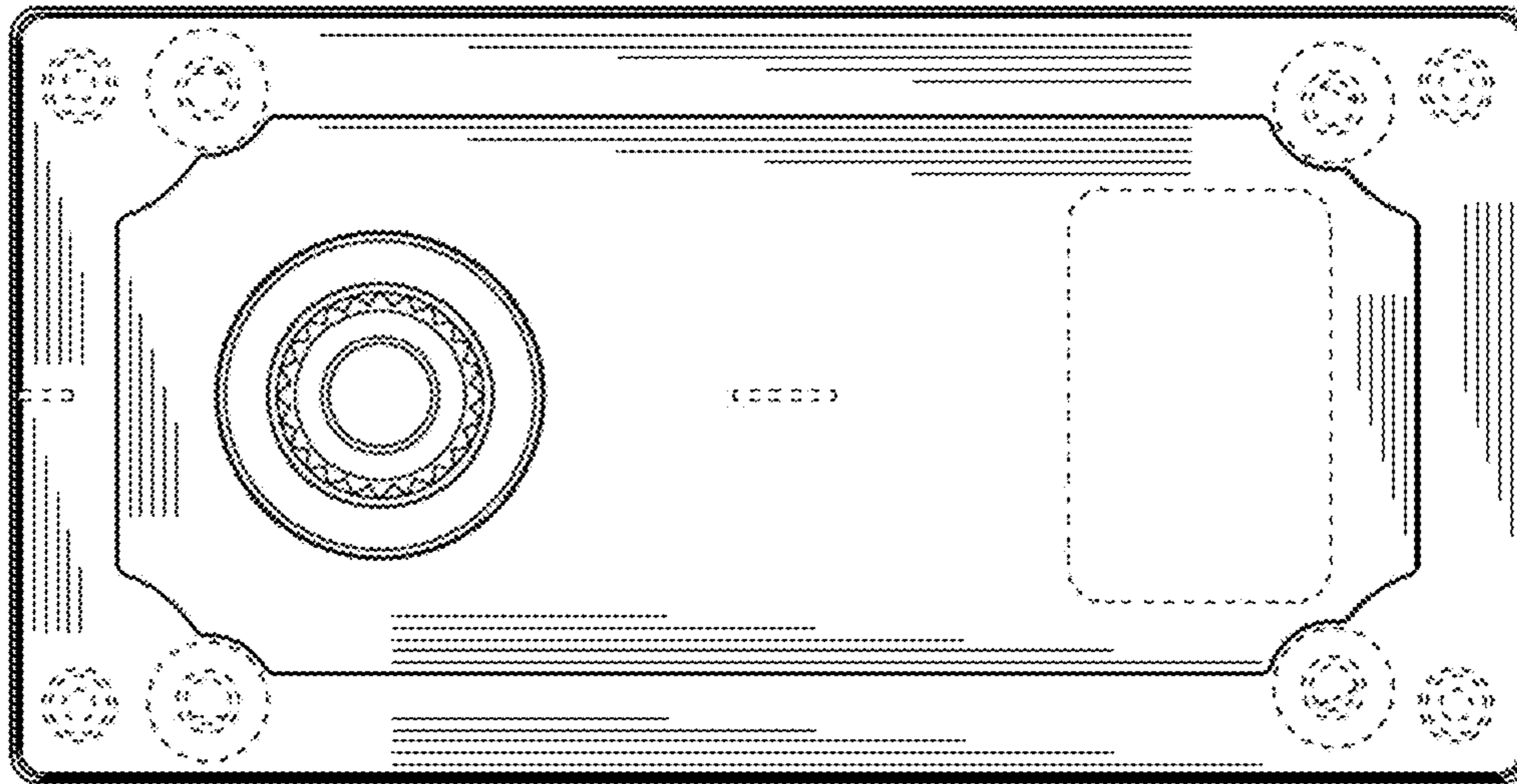


FIG. 4

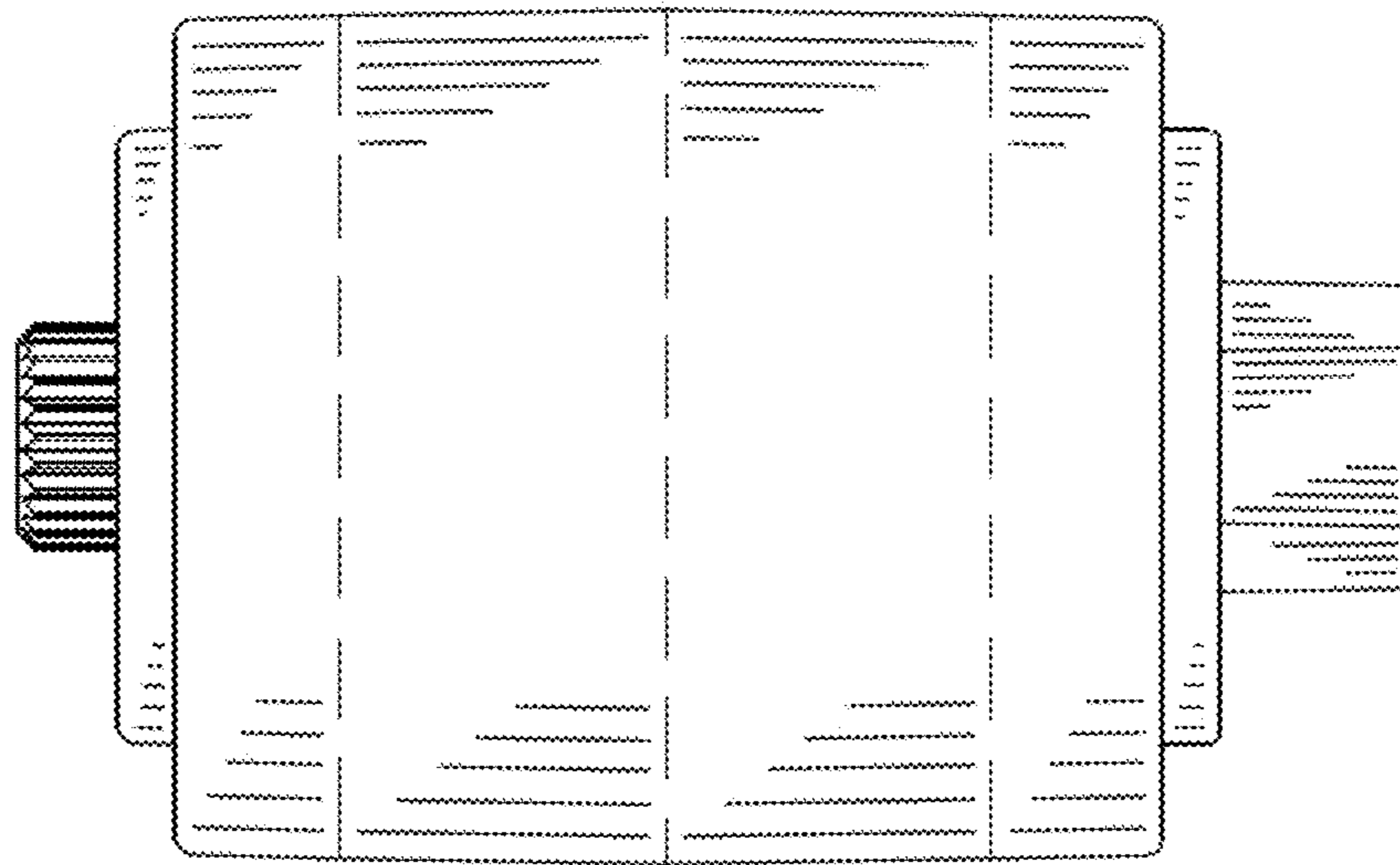


FIG. 5

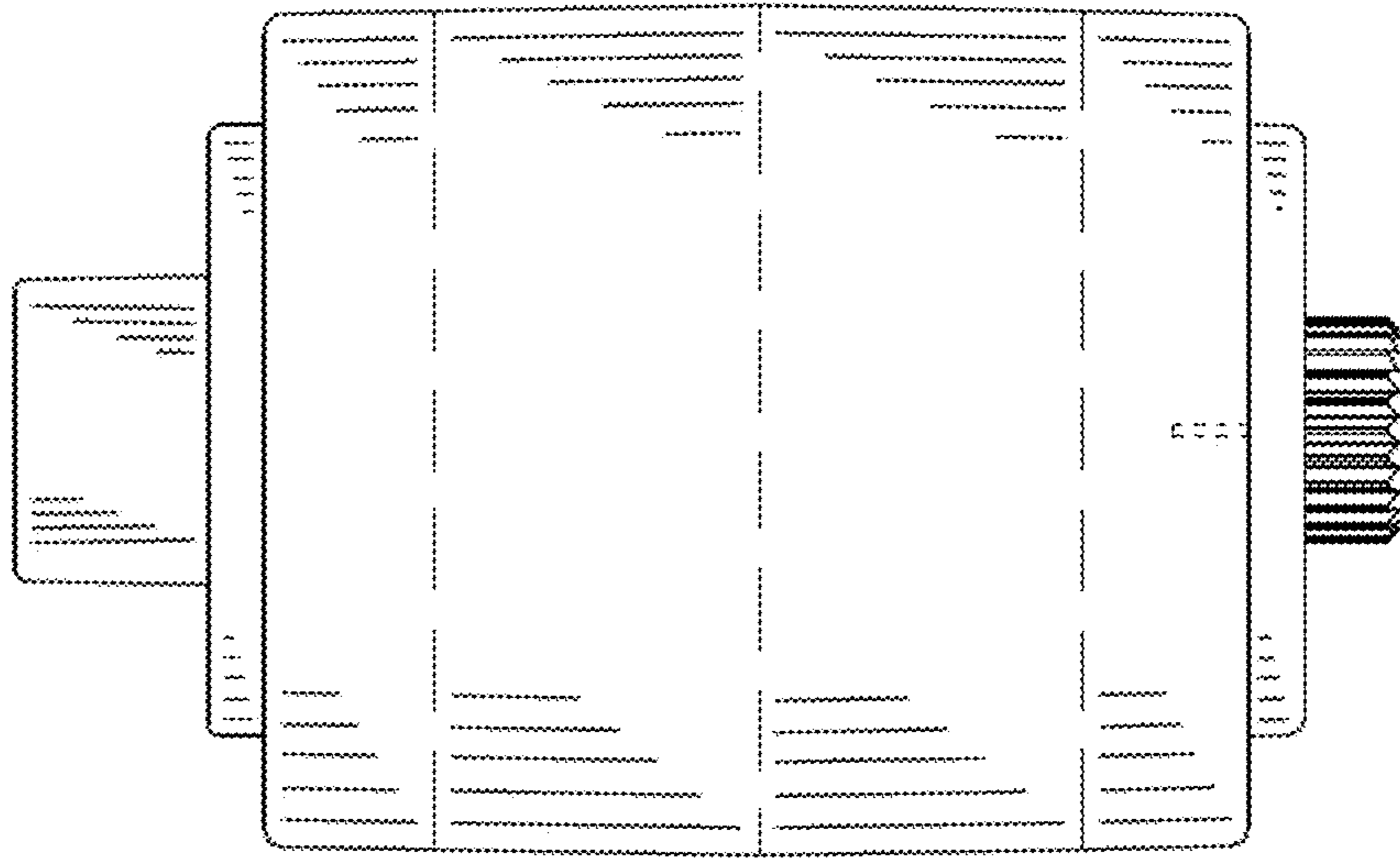


FIG. 6

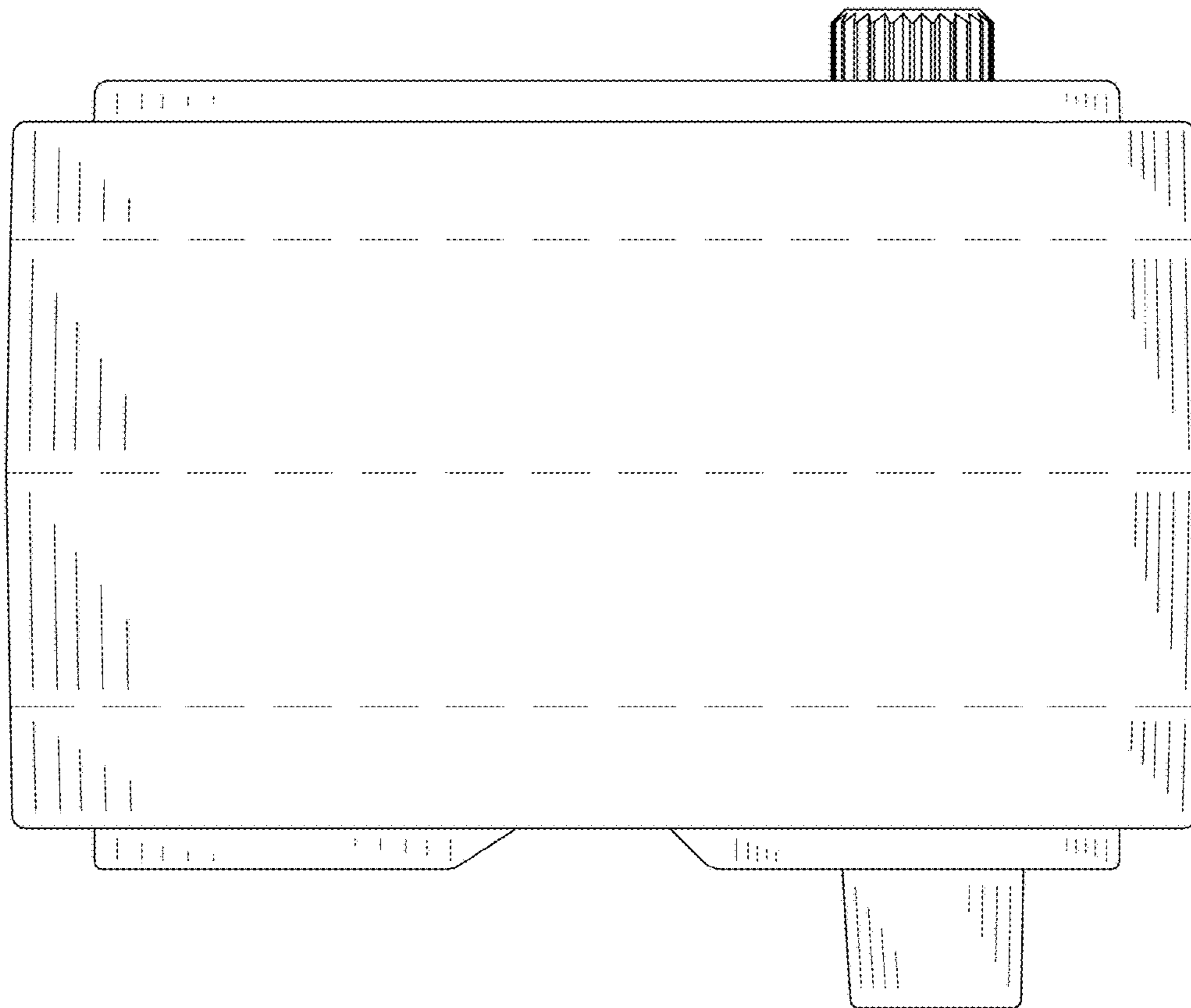


FIG. 7

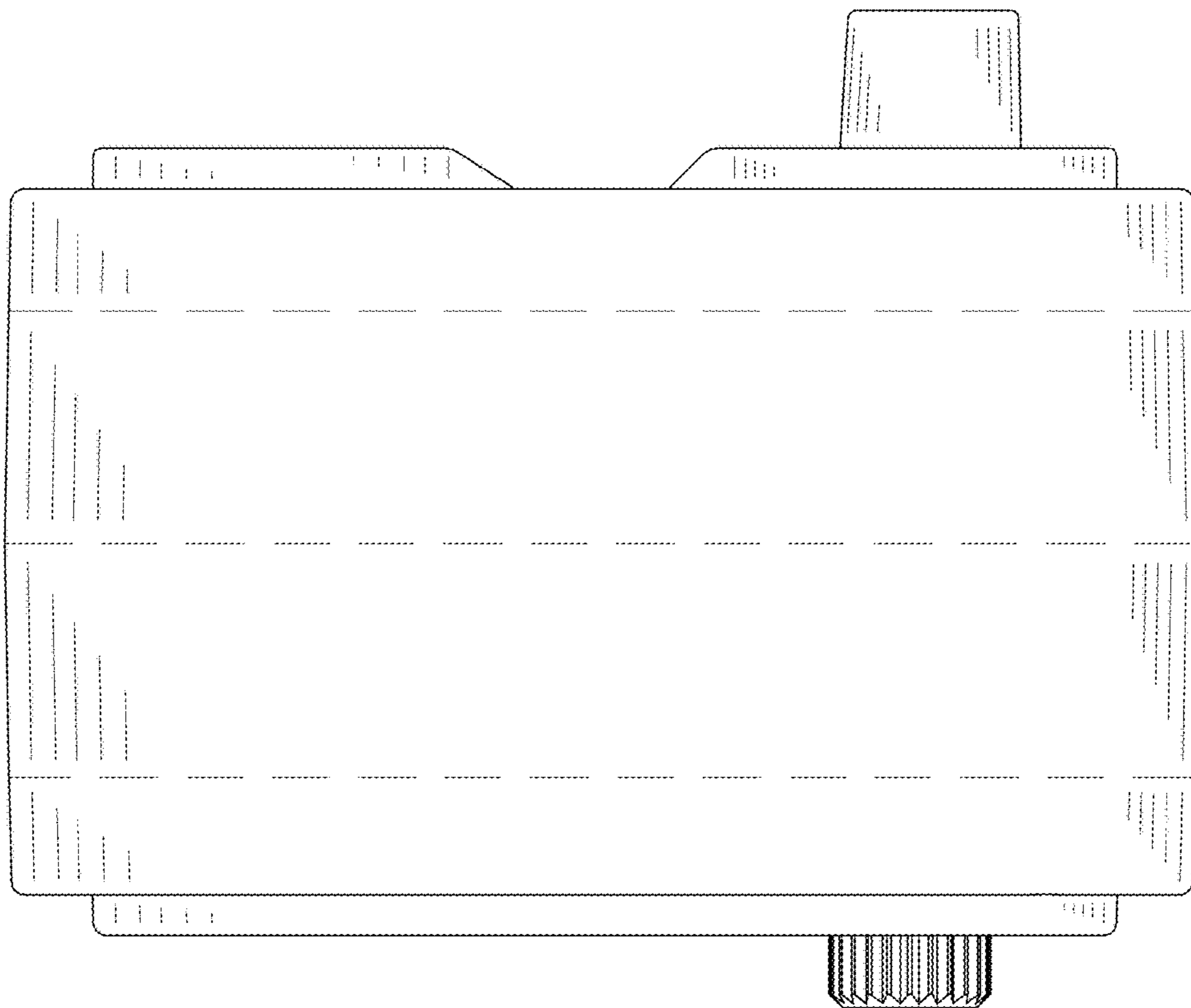


FIG. 8