



US00D817877S

(12) **United States Design Patent**  
**Grillenberger et al.**

(10) **Patent No.:** **US D817,877 S**  
(45) **Date of Patent:** **\*\* May 15, 2018**

- (54) **ELECTROMOTOR** 5,998,896 A \* 12/1999 Early ..... H02K 5/20  
310/410
- (71) Applicant: **Siemens Aktiengesellschaft, München** D425,020 S \* 5/2000 Becker ..... D13/114  
(DE) 6,522,036 B1 \* 2/2003 Chen ..... H02K 9/18  
310/58
- (72) Inventors: **Reiner Grillenberger, Windsbach** 6,909,211 B2 \* 6/2005 Ciciliani ..... H02K 9/04  
(DE); **Eric Joseph, Nürnberg (DE);** 310/216.045  
**Thomas Koch, Nürnberg (DE)** D563,870 S \* 3/2008 Naghshineh ..... D13/114  
D576,548 S \* 9/2008 Andersson ..... D13/112  
D576,941 S \* 9/2008 Evon ..... D13/112
- (73) Assignee: **Siemens Aktiengesellschaft, München** D578,063 S \* 10/2008 Lannoch ..... D13/112  
(DE) D597,943 S \* 8/2009 Lin ..... D13/112  
7,635,256 B2 \* 12/2009 Then ..... F04D 29/601  
310/58
- (\*\*) Term: **15 Years** 9,203,278 B2 \* 12/2015 Andersson ..... H02K 5/26  
310/89
- (21) Appl. No.: **29/568,771** D758,310 S \* 6/2016 Veeh ..... D13/112

\* cited by examiner

**Related U.S. Application Data**

- (62) Division of application No. 29/466,897, filed on Sep. 12, 2013, now Pat. No. Des. 762,574.

*Primary Examiner* — Derrick Holland

*Assistant Examiner* — Jennifer O King

(74) *Attorney, Agent, or Firm* — Henry M. Feiereisen LLC

**Foreign Application Priority Data**

- Mar. 12, 2013 (EM) ..... 001363949

(57) **CLAIM**

The ornamental design for an electromotor, as shown and described.

- (51) **LOC (11) Cl.** ..... **13-01**

- (52) **U.S. Cl.**

USPC ..... **D13/112**

- (58) **Field of Classification Search**

USPC ..... D13/112, 113, 114, 122, 184, 199;  
D15/1, 5, 10, 17, 28; D25/199; 290/1 A,  
290/1 R, 20; 310/10, 40 R, 51, 58, 85,  
310/89, 91, 236, 239, 254.1

CPC ..... H02K 11/0005; H02K 5/00; H02K 5/04;  
Y10T 29/49009

See application file for complete search history.

**DESCRIPTION**

FIG. 1 is a front elevational view of an electromotor showing my new design;

FIG. 2 is a rear elevational view thereof;

FIG. 3 is a top plan view thereof;

FIG. 4 is a bottom plan view thereof;

FIG. 5 is a right side elevational view thereof;

FIG. 6 is a left side elevational view thereof; and,

FIG. 7 is a front right side perspective view thereof.

The broken line portion of the figure drawings is included to show unclaimed subject matter only and forms no part of the claimed design.

- (56) **References Cited**

**U.S. PATENT DOCUMENTS**

D236,985 S \* 9/1975 Baumann ..... D13/112

D336,890 S \* 6/1993 Hirose ..... D13/112

**1 Claim, 7 Drawing Sheets**

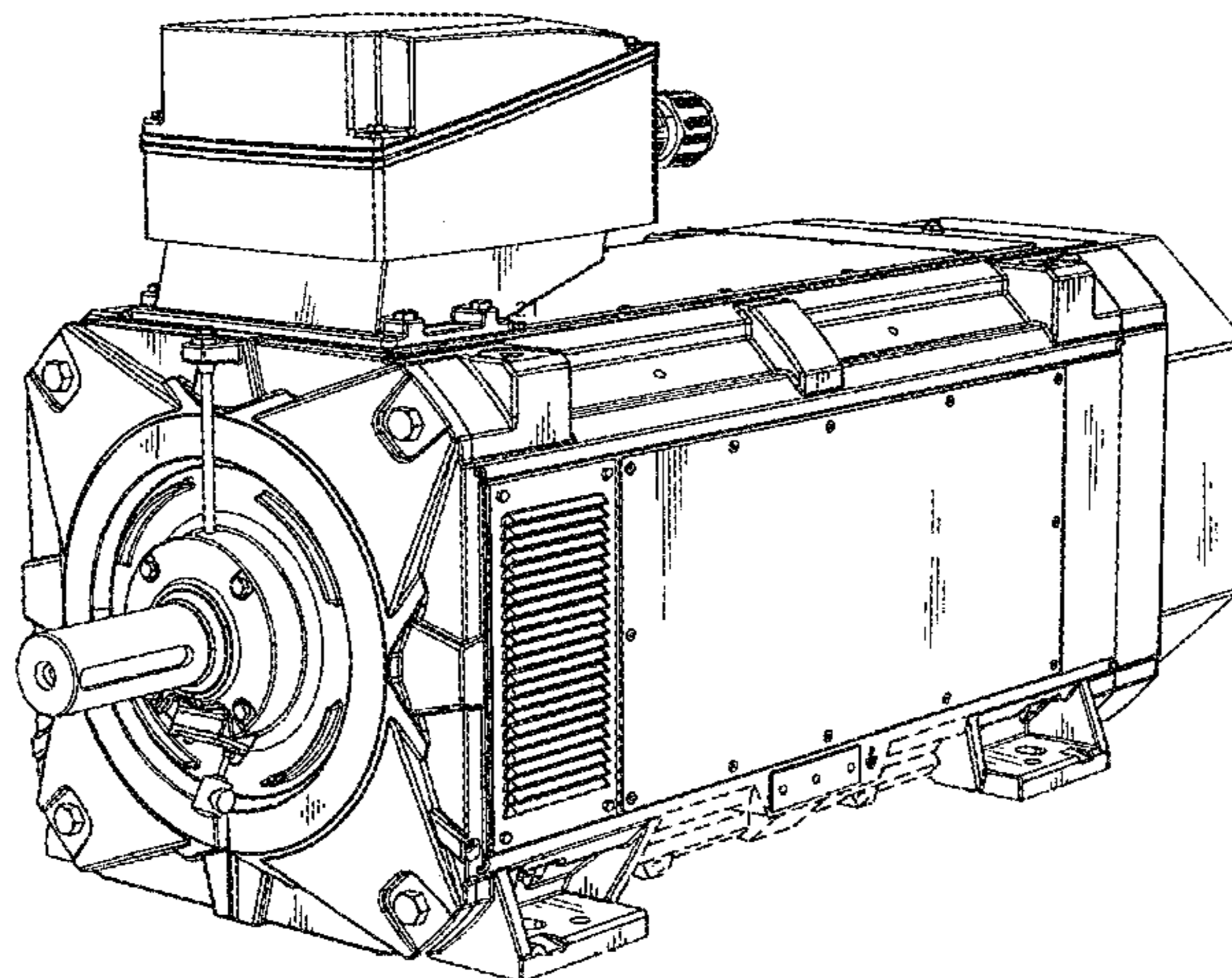


FIG. 1

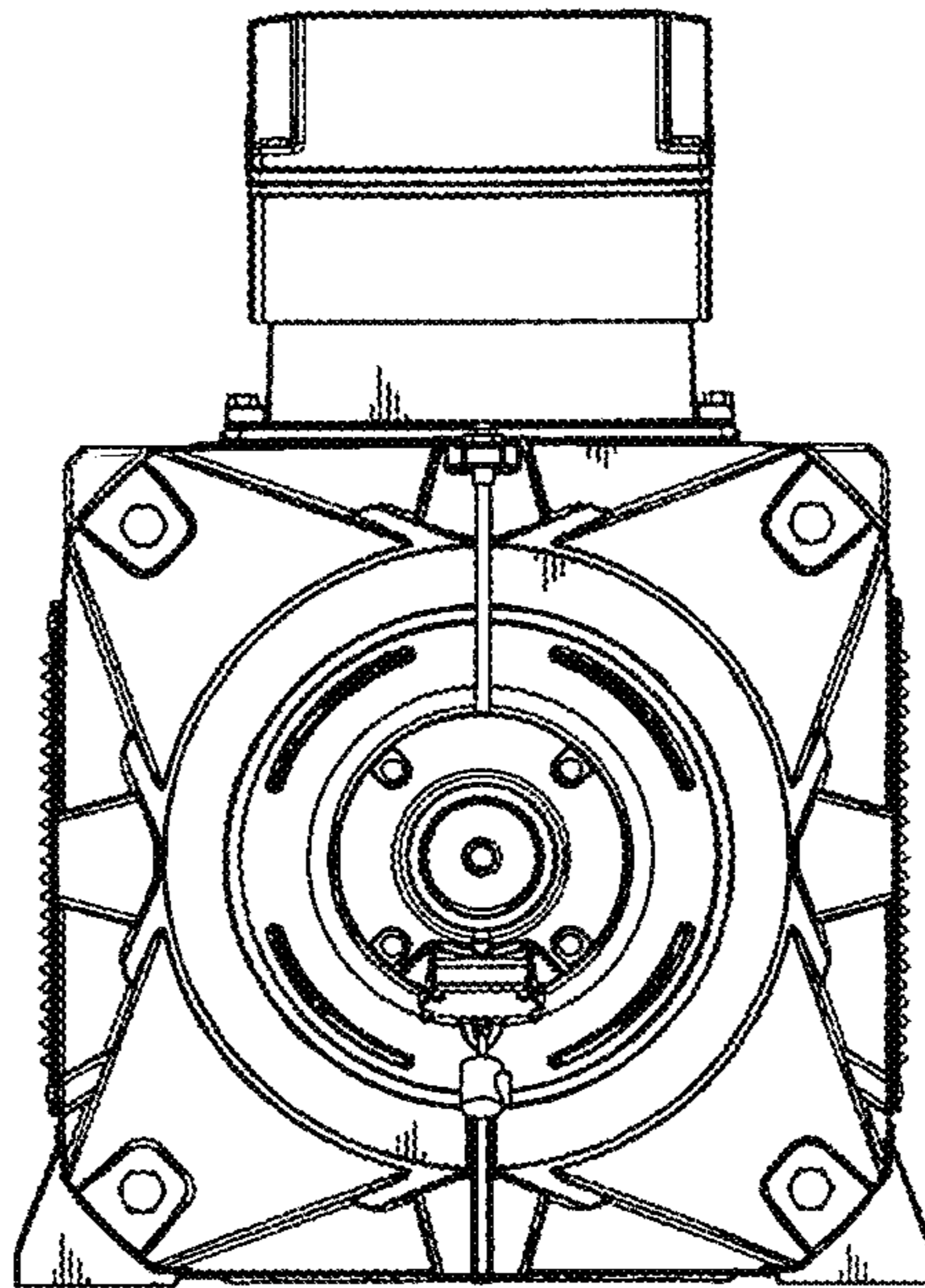


FIG. 2

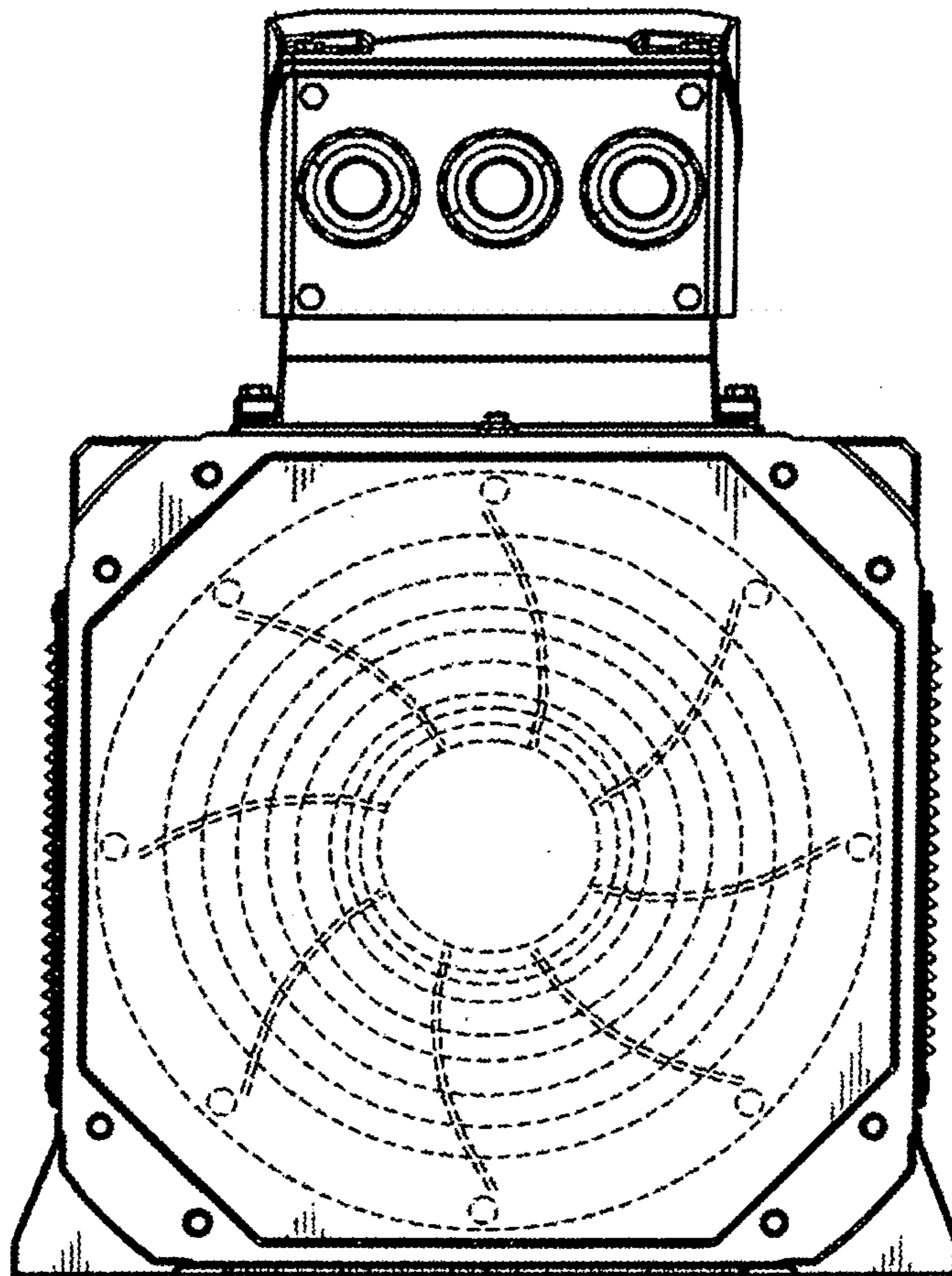


FIG. 3

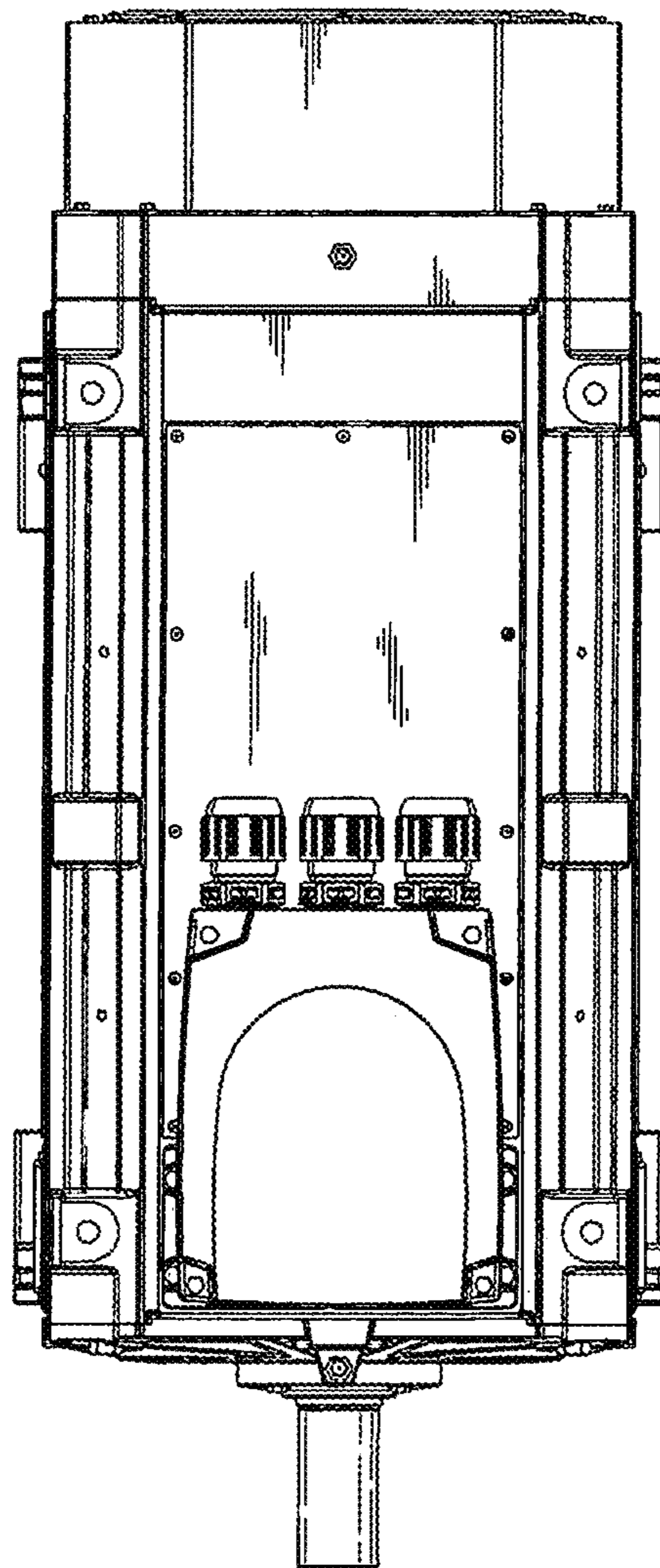


FIG. 4

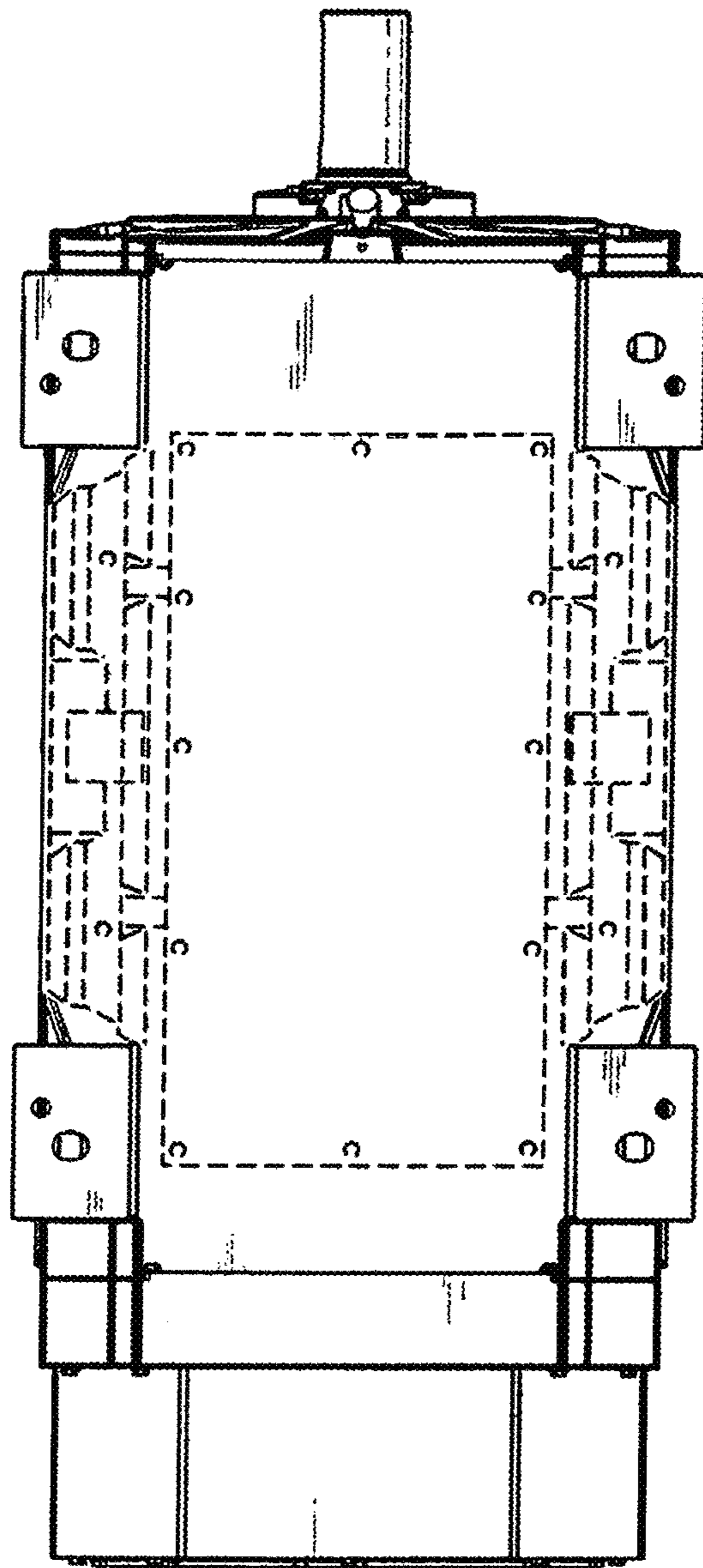


FIG. 5

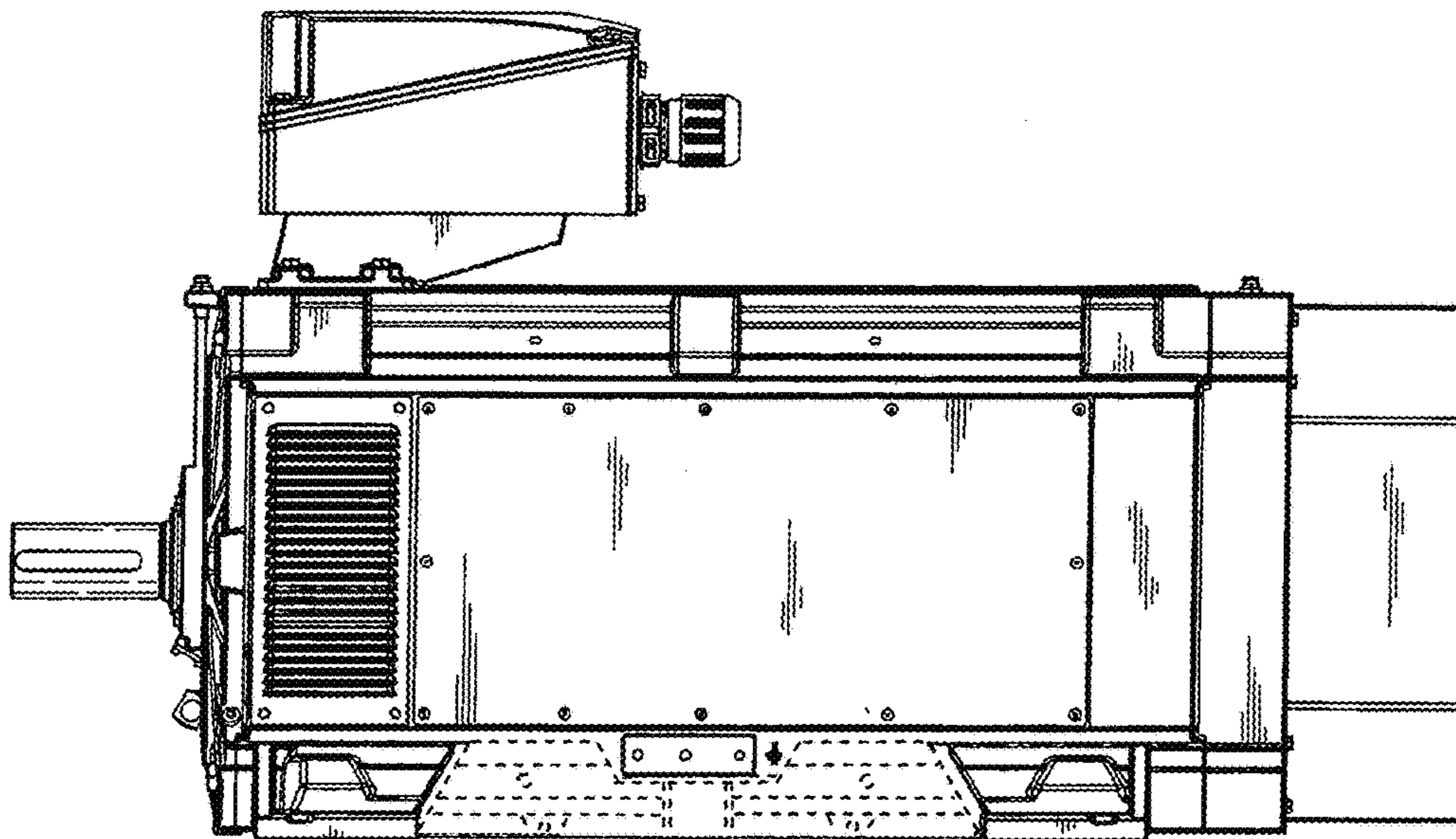


FIG. 6

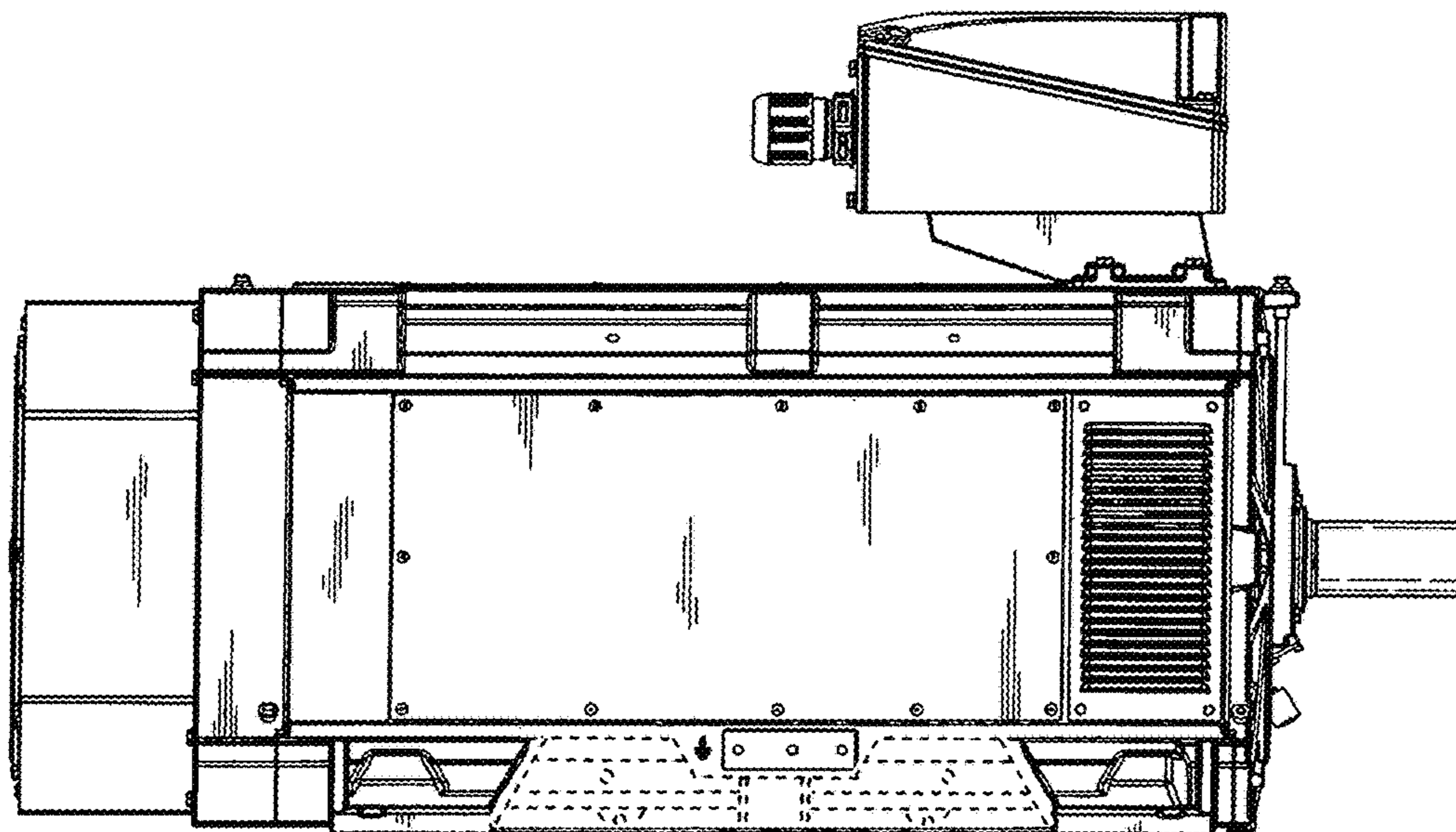


FIG. 7

