



US00D817874S

(12) **United States Design Patent**
Tsai

(10) **Patent No.:** **US D817,874 S**

(45) **Date of Patent:** **** May 15, 2018**

(54) **CHARGING DOCK FOR MOBILE
COMPUTER**

(71) Applicant: **GETAC TECHNOLOGY
CORPORATION**, Hsinchu County
(TW)

(72) Inventor: **Wan-Hua Tsai**, Taipei (TW)

(73) Assignee: **Getac Technology Corporation**,
Hsinchu County (TW)

(**) Term: **15 Years**

(21) Appl. No.: **29/546,222**

(22) Filed: **Nov. 19, 2015**

(51) **LOC (11) Cl.** **13-02**

(52) **U.S. Cl.**
USPC **D13/108**

(58) **Field of Classification Search**
USPC D13/107-110, 118-119, 184; D14/251,
D14/253, 432, 434

CPC Y02E 60/12; Y02T 90/14; Y02T 90/122;
Y02T 90/128; Y02T 90/163; H02J 7/025;
H02J 7/0042; H02J 7/0044; H02J 7/0045;
H02J 7/0003; H01F 38/14; H01R
13/6675; H01M 2/1022; H01M 2/1055;
H01M 10/44; H01M 10/46; H01M
10/425; B60L 11/182

See application file for complete search history.

(56) **References Cited**

U.S. PATENT DOCUMENTS

D586,348 S * 2/2009 Leung D12/415
D642,519 S * 8/2011 Woo D13/108

D666,200 S * 8/2012 Tien D14/434
D675,212 S * 1/2013 Chen D14/447
D689,057 S * 9/2013 Waterman D14/447
D724,534 S * 3/2015 Dasbach D13/110
D727,329 S * 4/2015 Johnson D14/434
D742,885 S * 11/2015 Chen D14/434
D771,635 S * 11/2016 Kuo D14/434
D782,975 S * 4/2017 Chen D13/108
D789,886 S * 6/2017 Socha-Leialoha D13/108
D797,669 S * 9/2017 Chang D13/108

* cited by examiner

Primary Examiner — Rosemary K Tarcza
Assistant Examiner — Nathaniel D. Buckner

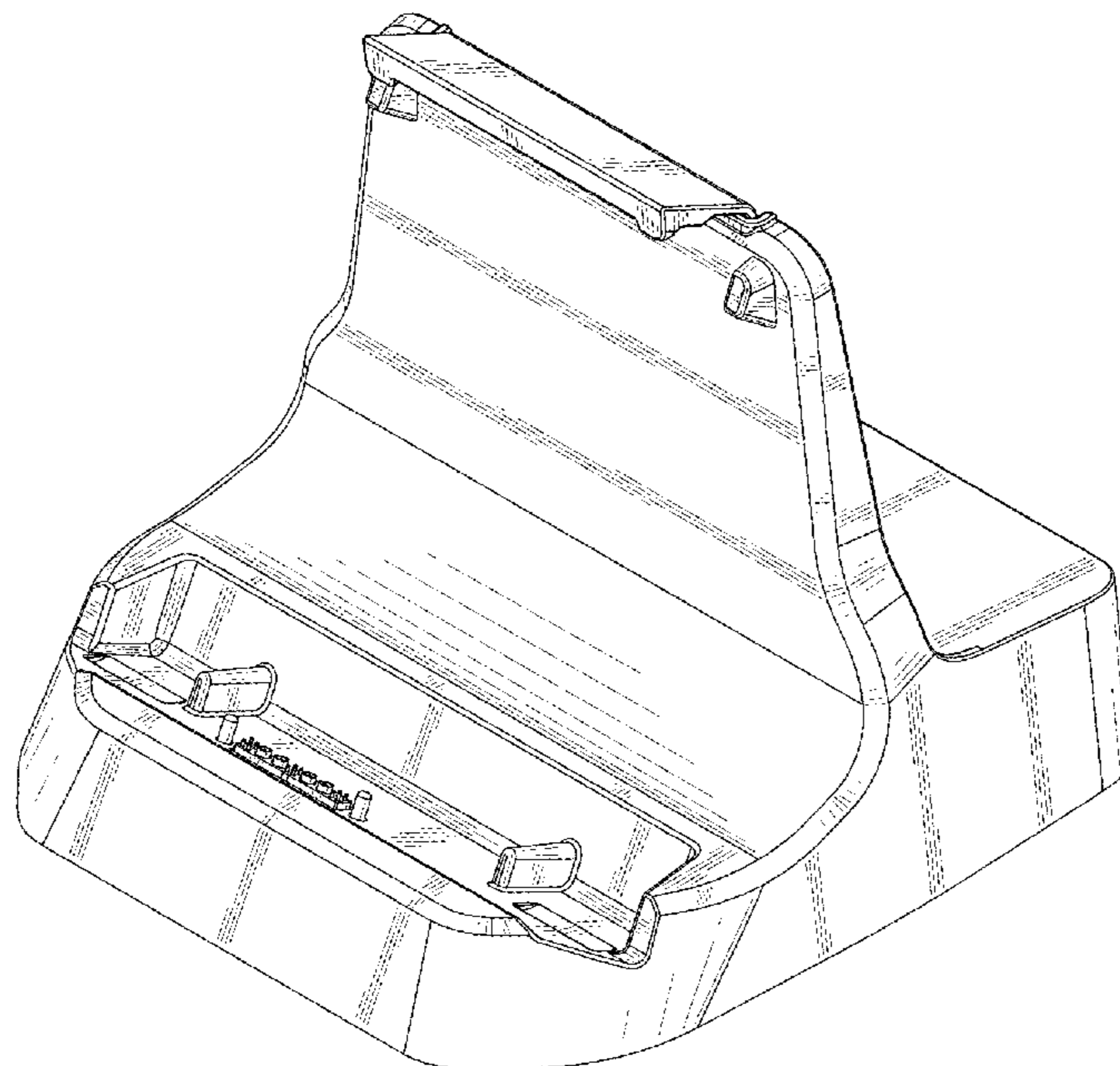
(57) **CLAIM**

The ornamental design for a charging dock for mobile computer, as shown and described.

DESCRIPTION

FIG. 1 is a top right front perspective view of a charging dock for mobile computer showing my new design; FIG. 2 is a bottom right front perspective view thereof; FIG. 3 is a top left rear perspective view thereof; FIG. 4 is a front elevation view thereof; FIG. 5 is a rear elevation view thereof; FIG. 6 is a left elevation view thereof; FIG. 7 is a right elevation view thereof; FIG. 8 is a top plan view thereof; and, FIG. 9 is a bottom plan view thereof.

1 Claim, 9 Drawing Sheets



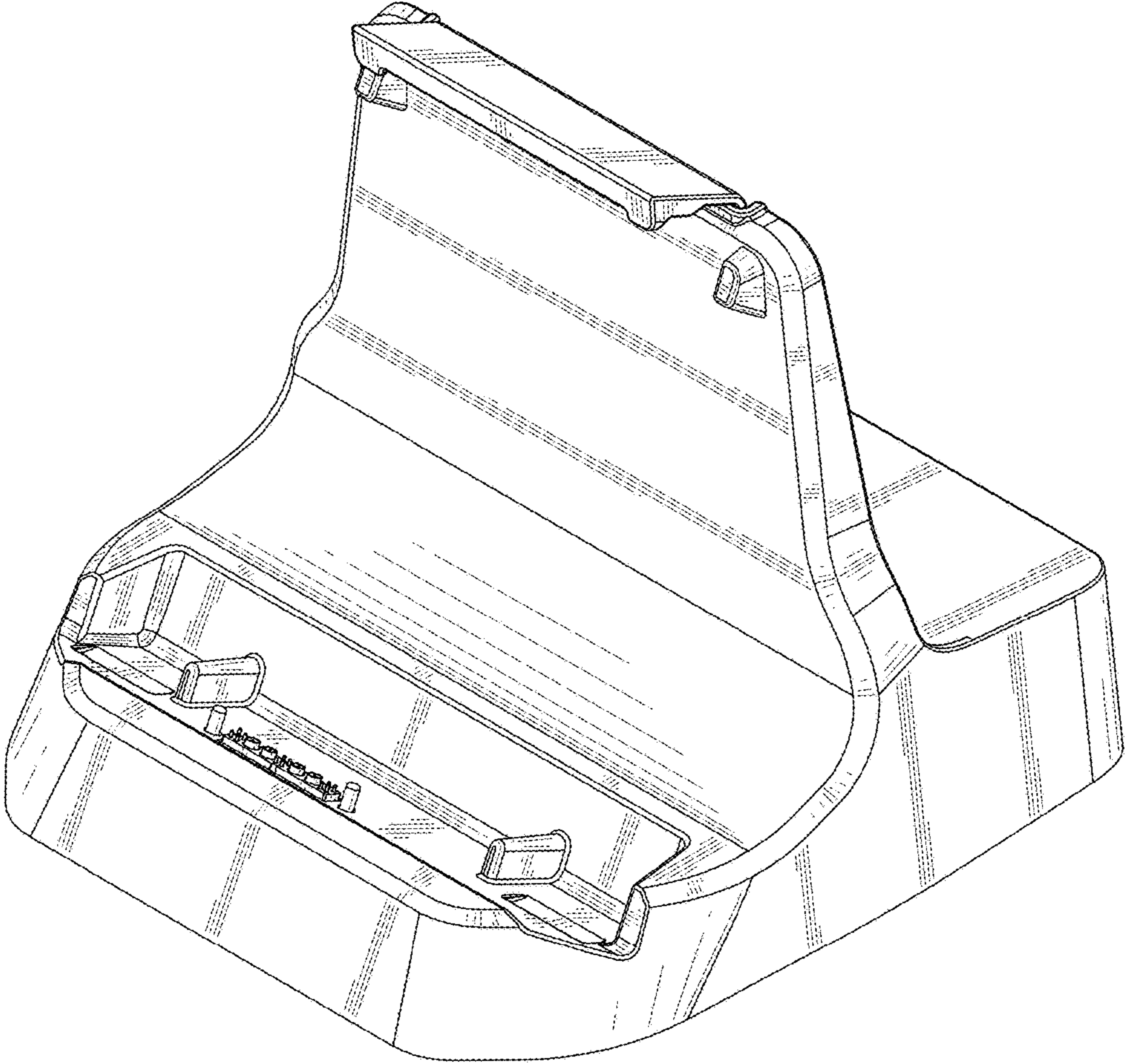


FIG. 1

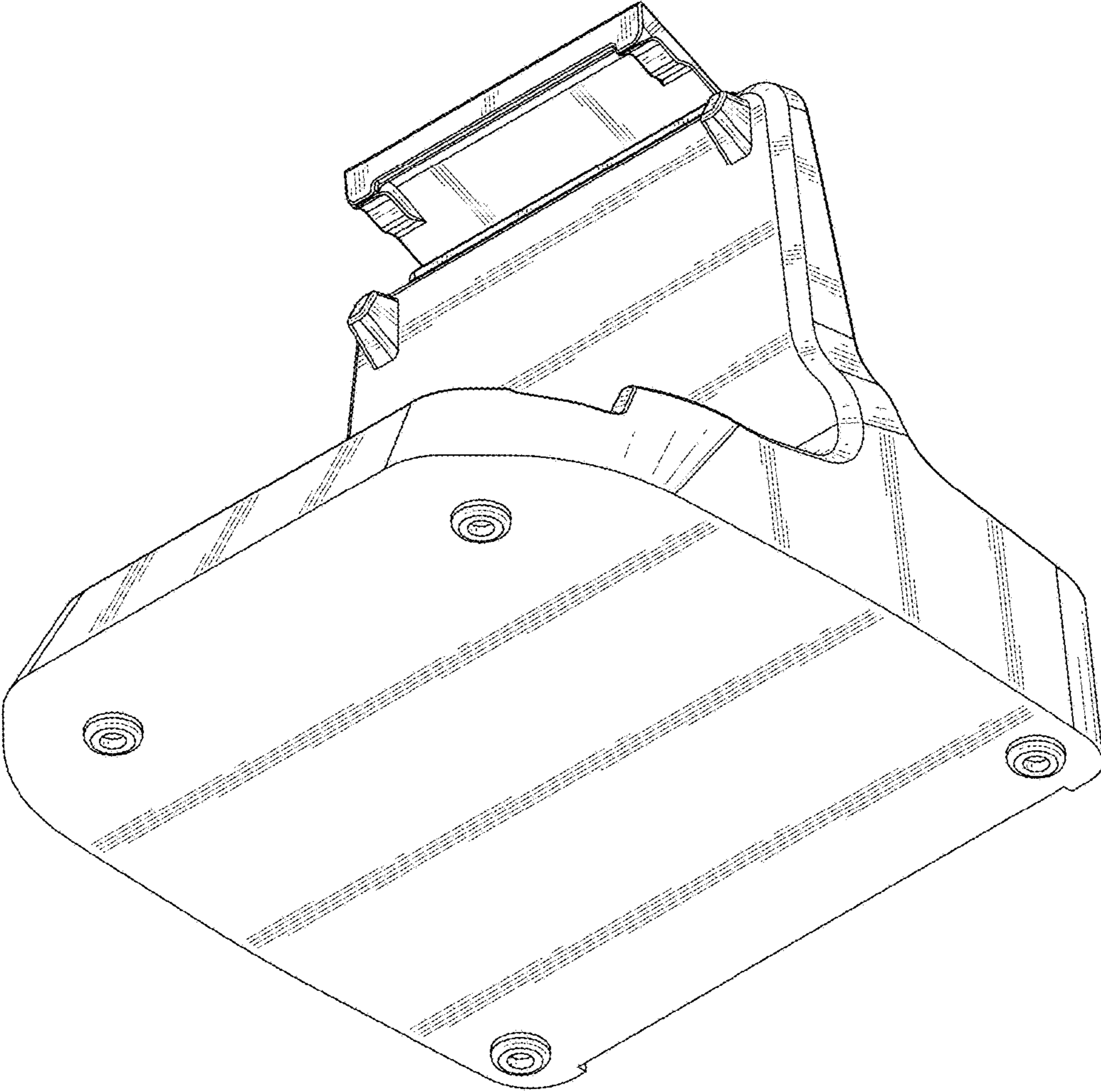


FIG. 2

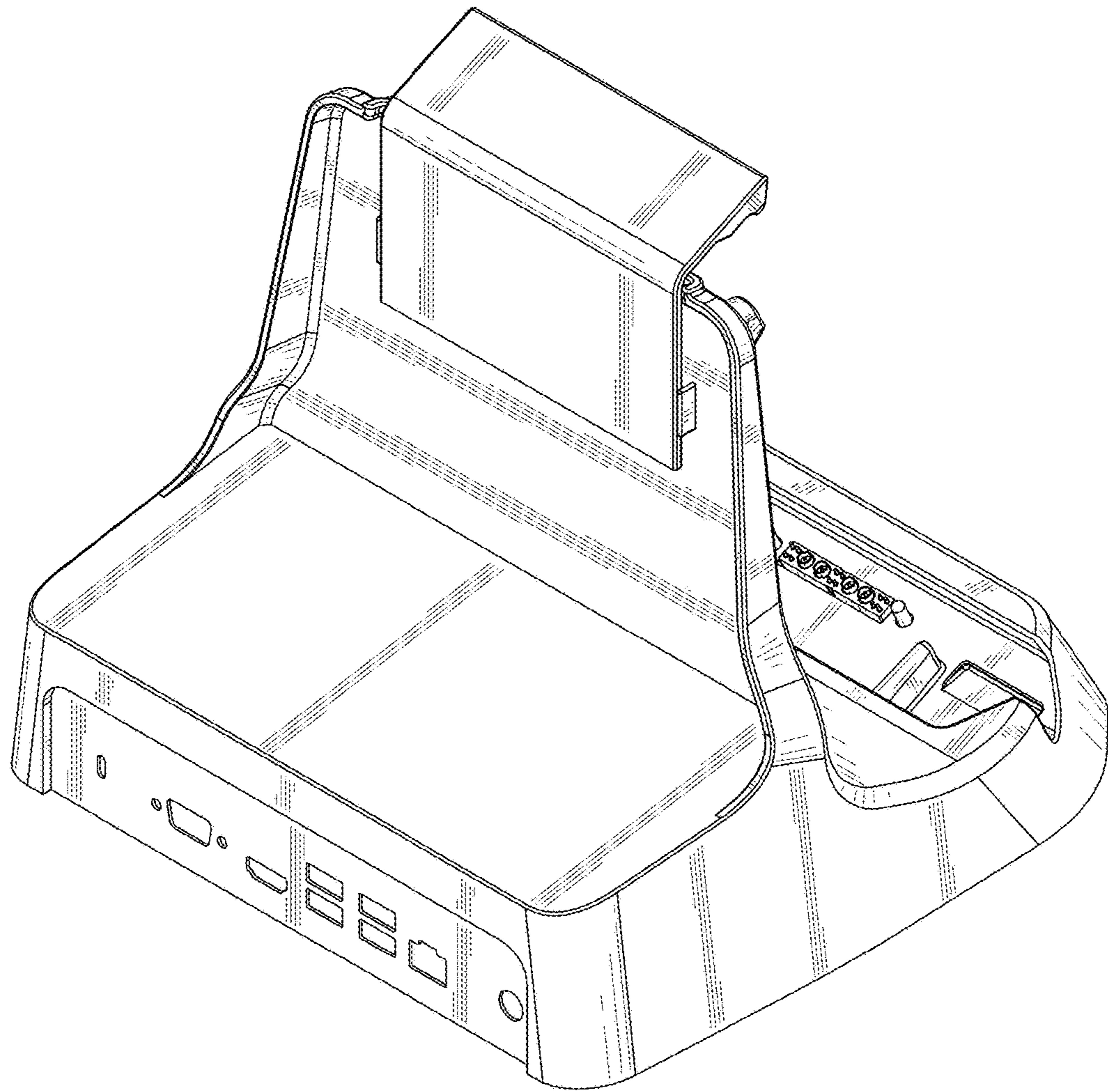


FIG. 3

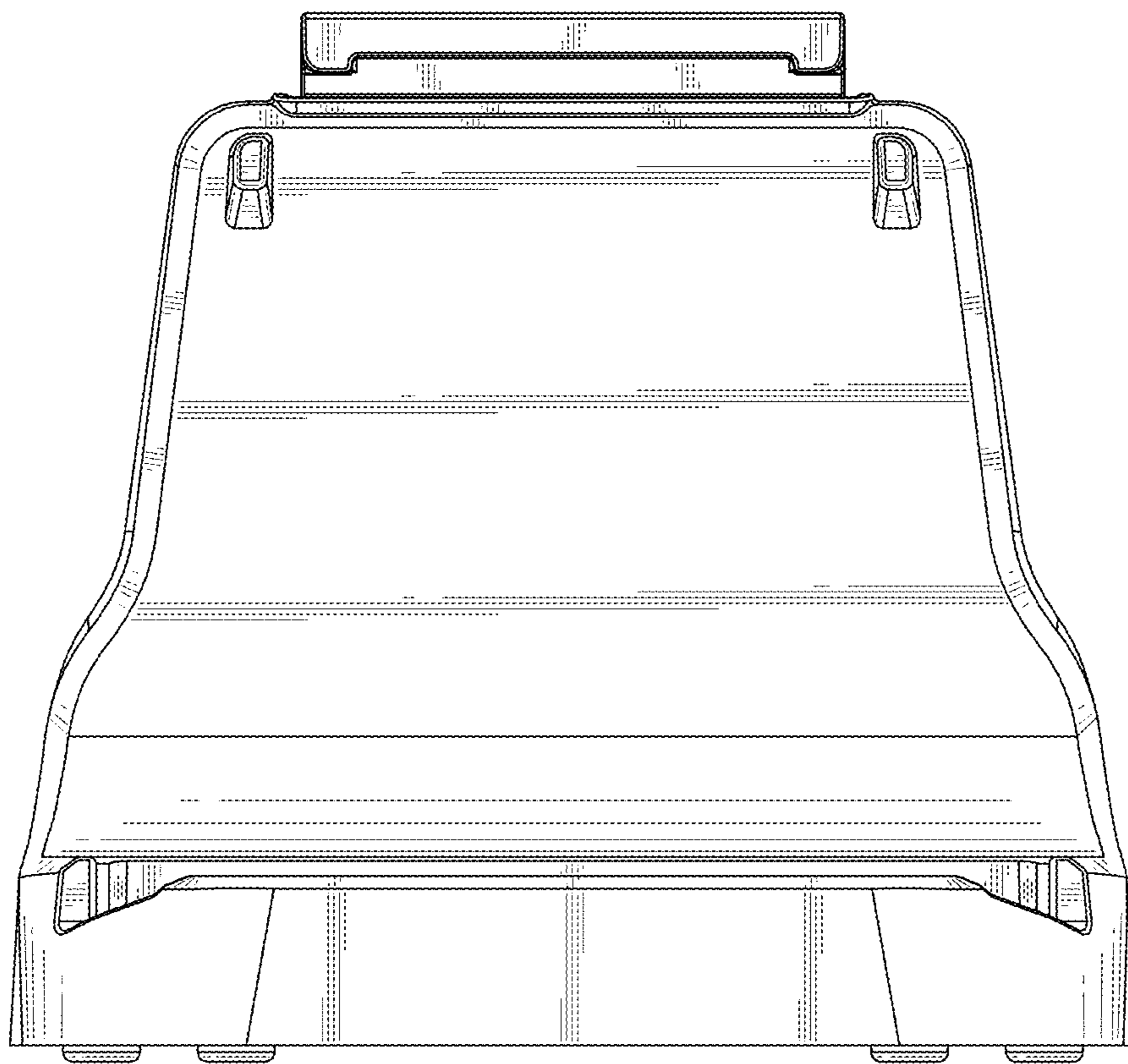


FIG. 4

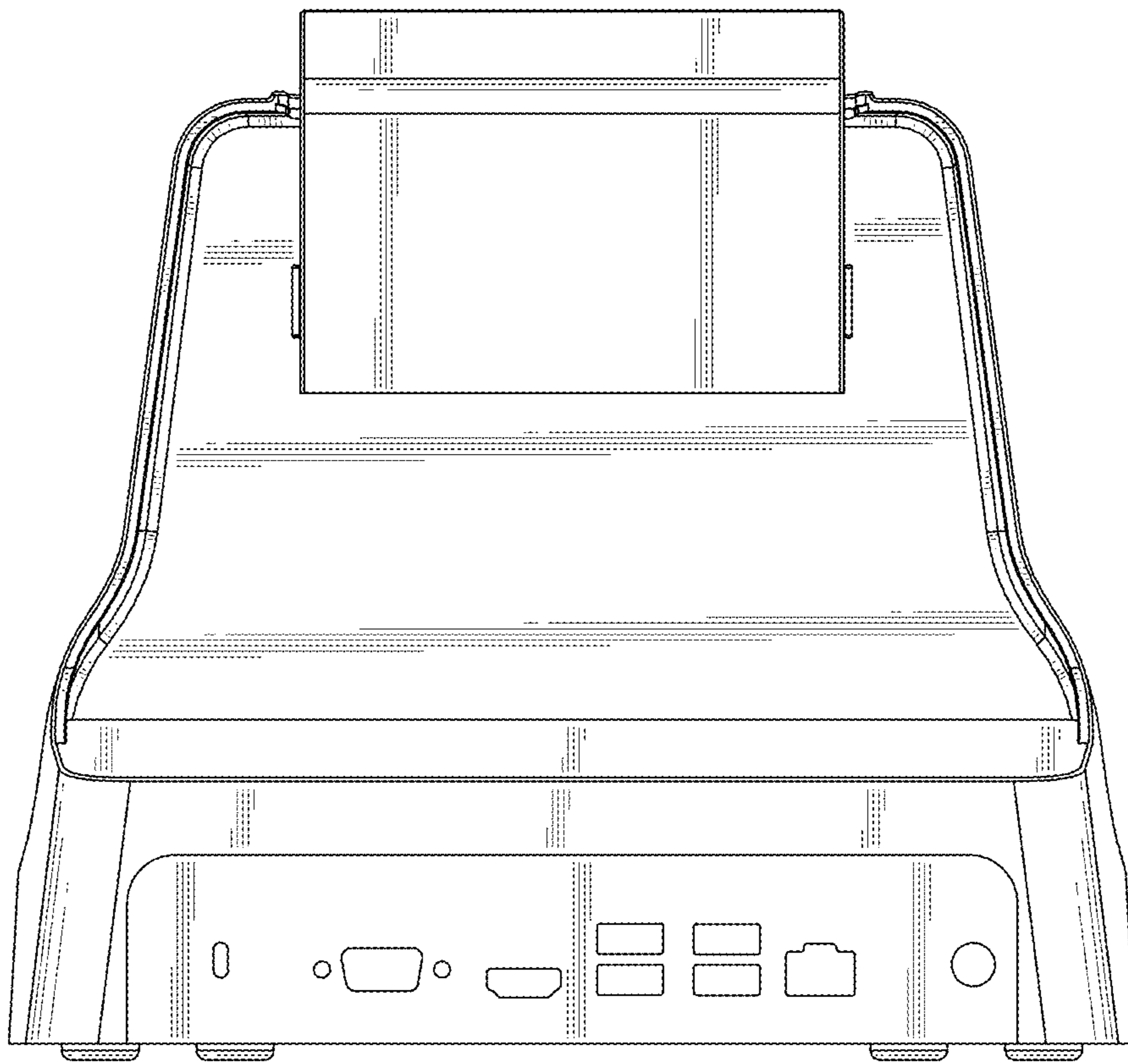


FIG. 5

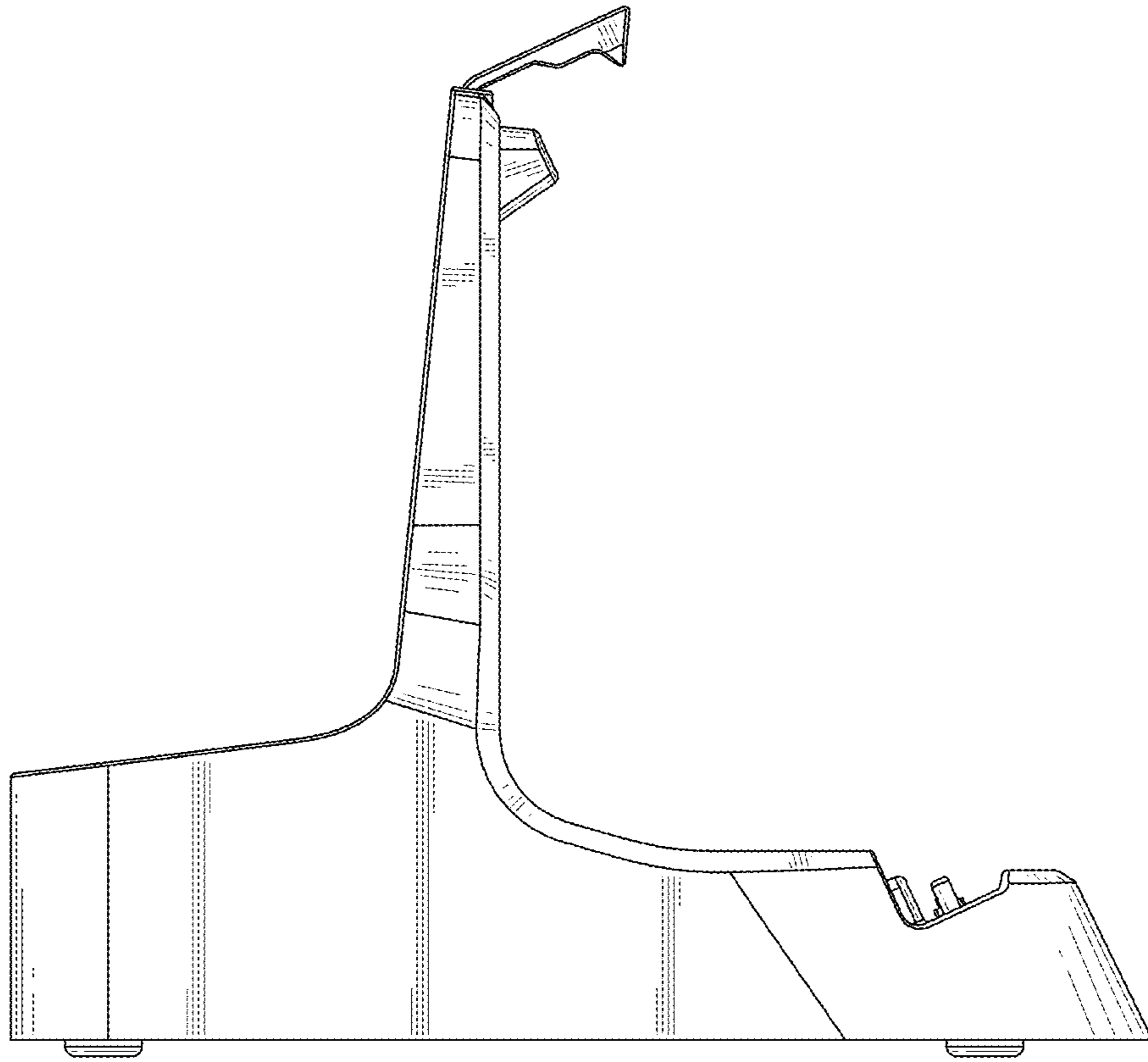


FIG. 6

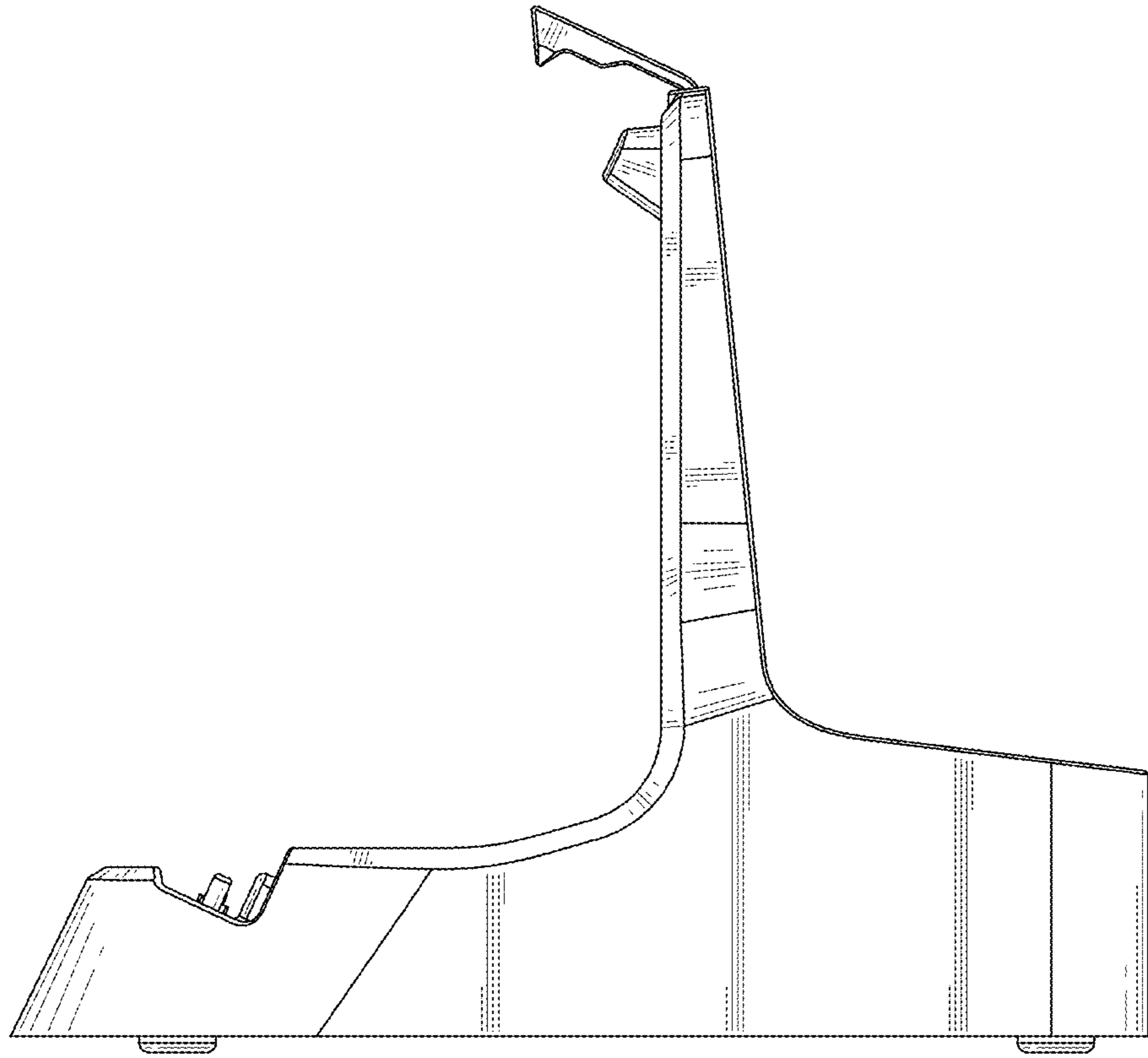


FIG. 7

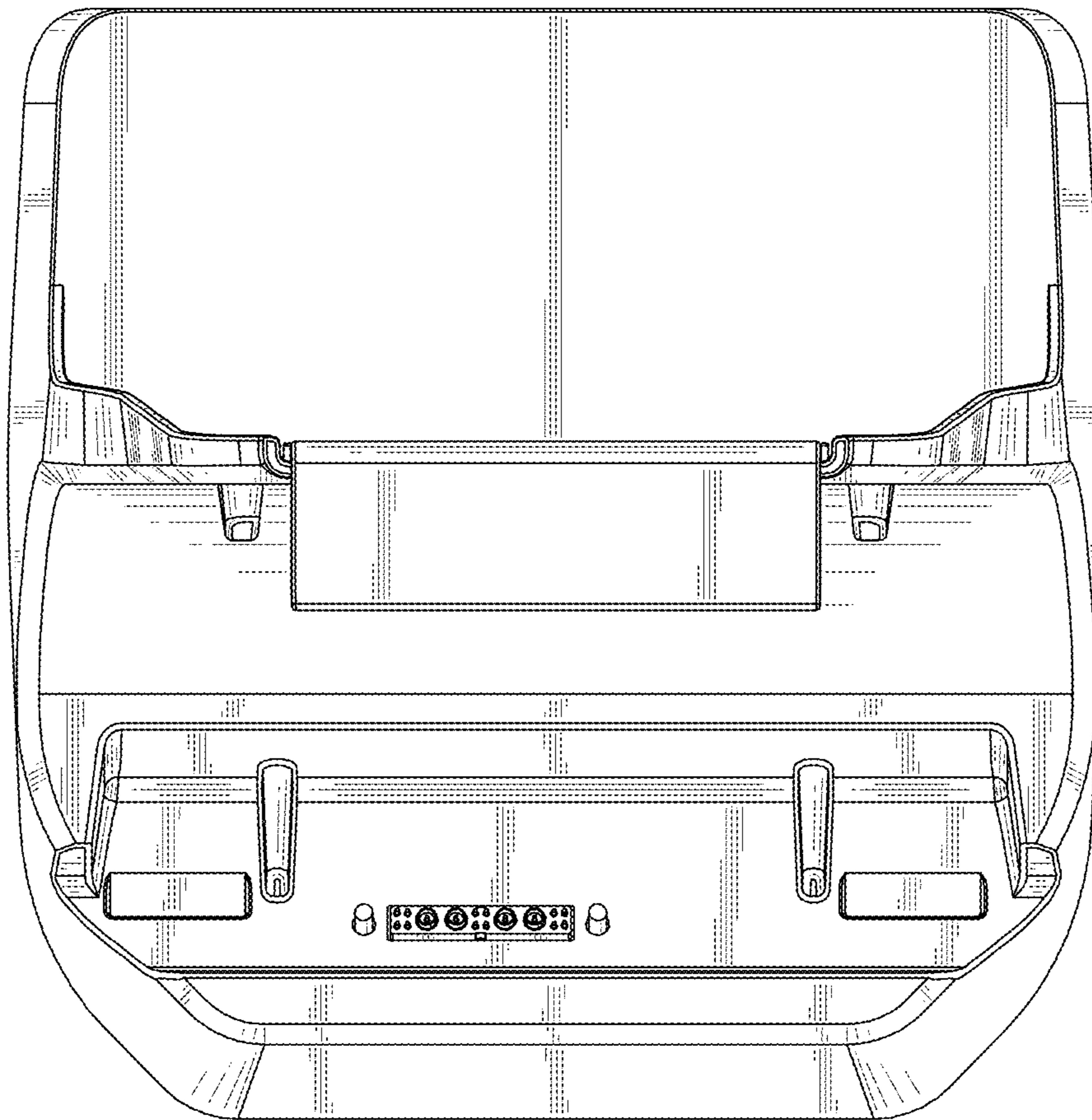


FIG. 8

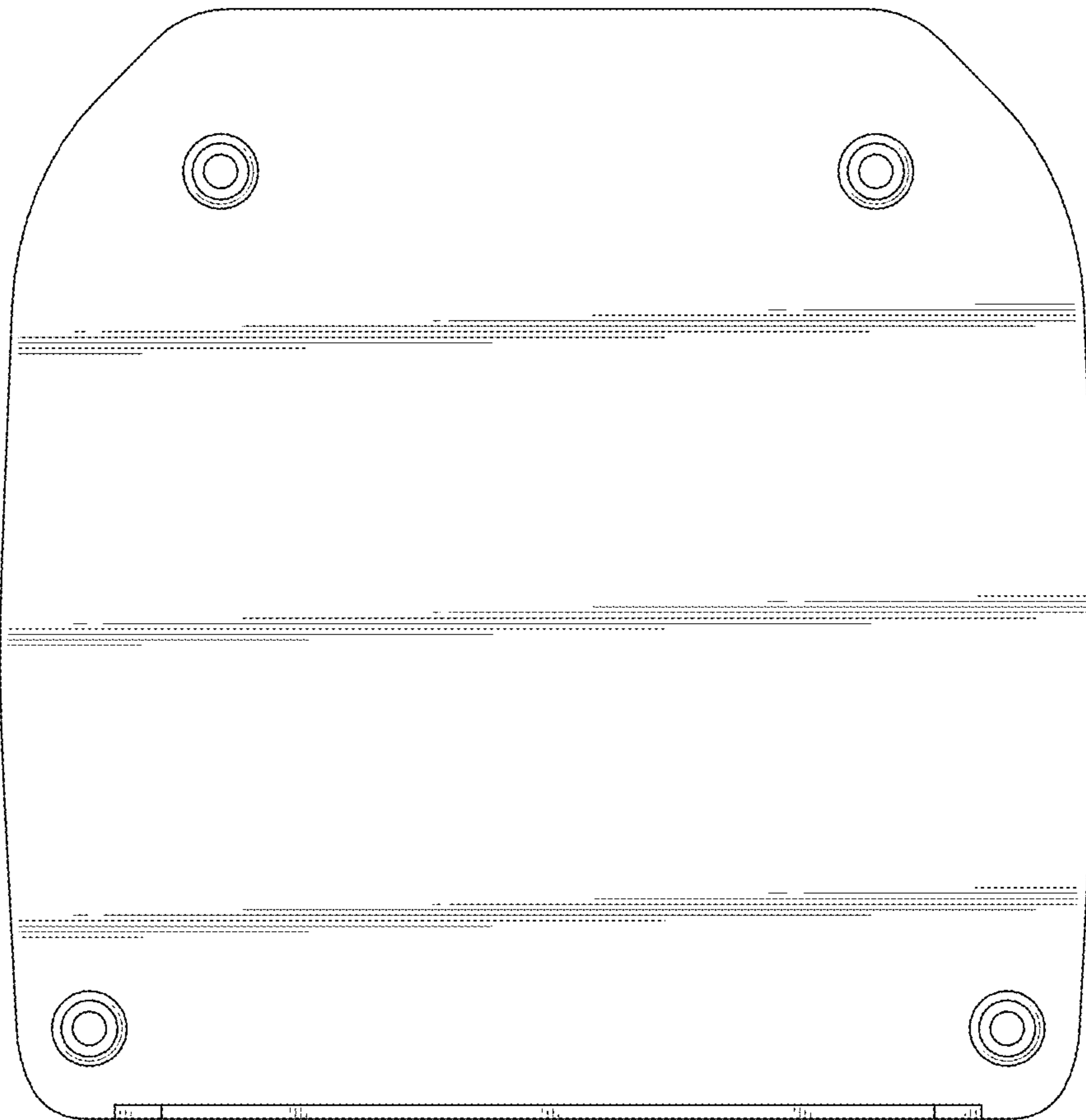


FIG. 9