



US00D817870S

(12) **United States Design Patent**
Yamamoto

(10) **Patent No.:** **US D817,870 S**
(45) **Date of Patent:** **** May 15, 2018**

(54) **RECHARGEABLE BATTERY**

(71) Applicant: **GS Yuasa International Ltd.**,
Kyoto-shi, Kyoto (JP)
(72) Inventor: **Yuichiro Yamamoto**, Kyoto (JP)
(73) Assignee: **GS Yuasa International Ltd.**, Kyoto
(JP)

(**) Term: **15 Years**

(21) Appl. No.: **29/606,772**

(22) Filed: **Jun. 7, 2017**

(30) **Foreign Application Priority Data**

Dec. 12, 2016 (JP) 2016-026877
Dec. 12, 2016 (JP) 2016-026878

(51) **LOC (11) Cl.** **13-02**

(52) **U.S. Cl.**
USPC **D13/104**

(58) **Field of Classification Search**
USPC D13/103, 102, 107-108, 110, 118-119,
D13/184, 104

(Continued)

(56) **References Cited**

U.S. PATENT DOCUMENTS

D623,127 S * 9/2010 Seyama et al. D13/104
D660,226 S * 5/2012 Elison et al. D13/104

(Continued)

Primary Examiner — Robert M. Spear

Assistant Examiner — Alison M Ofstun

(74) *Attorney, Agent, or Firm* — Capitol City TechLaw

(57) **CLAIM**

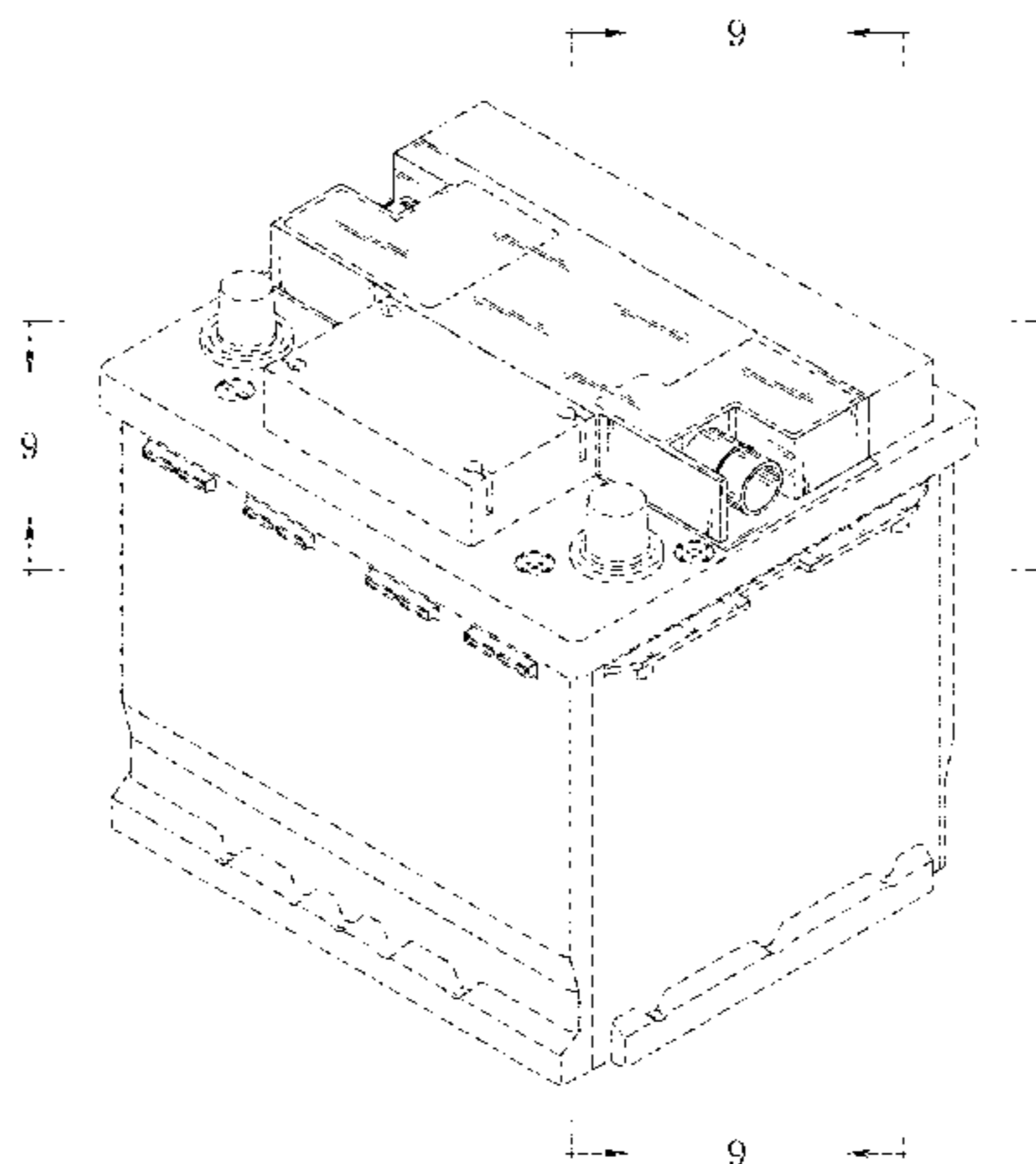
The ornamental design for a rechargeable battery, as shown and described.

DESCRIPTION

FIG. 1 is a front, top, and right side perspective view of a first embodiment of a rechargeable battery showing my new design;

FIG. 2 is a front, top, and left side perspective view thereof; FIG. 3 is a front view thereof; FIG. 4 is a rear view thereof; FIG. 5 is a top view thereof; FIG. 6 is a bottom view thereof; FIG. 7 is a right side view thereof; FIG. 8 is a left side view thereof; FIG. 9 is an enlarged partial view of the rechargeable battery in the area of arrow lines 9-9 of FIG. 1; FIG. 10 is an enlarged partial view of the rechargeable battery in the area of arrow lines 10-10 of FIG. 2; FIG. 11 is an enlarged partial view of the rechargeable battery in the area of arrow lines 11-11 of FIG. 5; FIG. 12 is an enlarged partial view of the rechargeable battery in the area of arrow lines 12-12 of FIG. 5; FIG. 13 is an enlarged partial view of the rechargeable battery in the area of arrow lines 13-13 of FIG. 7; FIG. 14 is an enlarged partial view of the rechargeable battery in the area of arrow lines 14-14 of FIG. 8; FIG. 15 is a front, top, and right side perspective view of a second embodiment of a rechargeable battery showing my new design; FIG. 16 is a front, top, and left side perspective view thereof; FIG. 17 is a front view thereof; FIG. 18 is a rear view thereof; FIG. 19 is a top view thereof; FIG. 20 is a bottom view thereof; FIG. 21 is a right side view thereof; FIG. 22 is a left side view thereof; FIG. 23 is an enlarged partial view of the rechargeable battery in the area of arrow lines 23-23 of FIG. 15; FIG. 24 is an enlarged partial view of the rechargeable battery in the area of arrow lines 24-24 of FIG. 16; FIG. 25 is an enlarged partial view of the rechargeable battery in the area of arrow lines 25-25 of FIG. 19; FIG. 26 is an enlarged partial view of the rechargeable battery in the area of arrow lines 26-26 of FIG. 19; FIG. 27 is an enlarged partial view of the rechargeable battery in the area of arrow lines 27-27 of FIG. 21; and, FIG. 28 is an enlarged partial view of the rechargeable battery in the area of arrow lines 28-28 of FIG. 22. The dashed broken lines shown in the figures illustrate portions of the rechargeable battery that form no part of the

(Continued)



claimed design, and the dot-dash broken lines shown in the figures represent unclaimed boundaries.

1 Claim, 28 Drawing Sheets

(58) Field of Classification Search

CPC Y02E 60/12; Y02E 60/122; Y02E 60/124;
Y02E 60/50; H01M 2/02; H01M 2/022;
H01M 2/0202; H01M 2/0207; H01M
2/0212; H01M 2/1061; H01M 2/1022;
H01M 2/1055; H01M 2/1066; H01M
2/105; H01M 2/204; H01M 10/4257;
H01M 10/0436; H01M 10/48

See application file for complete search history.

(56) References Cited

U.S. PATENT DOCUMENTS

D742,307	S	*	11/2015	DeKeuster	D13/103
D760,161	S	*	6/2016	DeKeuster	D13/103
D765,030	S	*	8/2016	Tyler	D13/119
D772,816	S	*	11/2016	DeKeuster	D13/119
D803,776	S	*	11/2017	Tononishi	D13/103
D803,778	S	*	11/2017	Tononishi	D13/103
D804,418	S	*	12/2017	Yamamoto	D13/119
2013/0183544	A1		7/2013	Yoshioka et al.		
2014/0141306	A1	*	5/2014	Kusunoki	H01M 2/1016 429/98
2014/0184898	A1	*	7/2014	Overliese	H01R 13/62905 348/372
2016/0036029	A1	*	2/2016	Tononishi	H01M 2/1077 429/121
2016/0185223	A1	*	6/2016	Kim	H01M 2/1083 429/100

* cited by examiner

Fig. 1

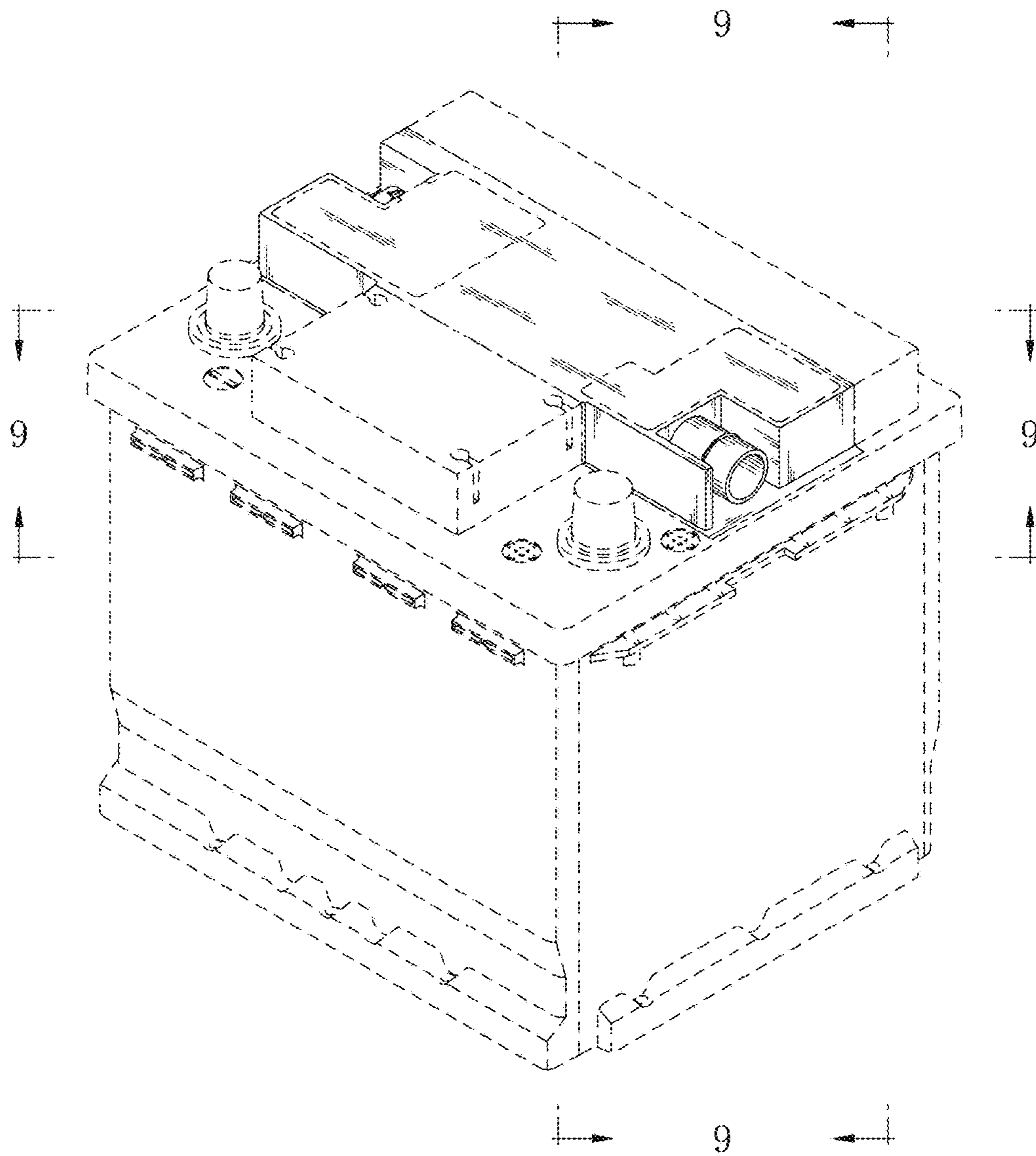


Fig.2

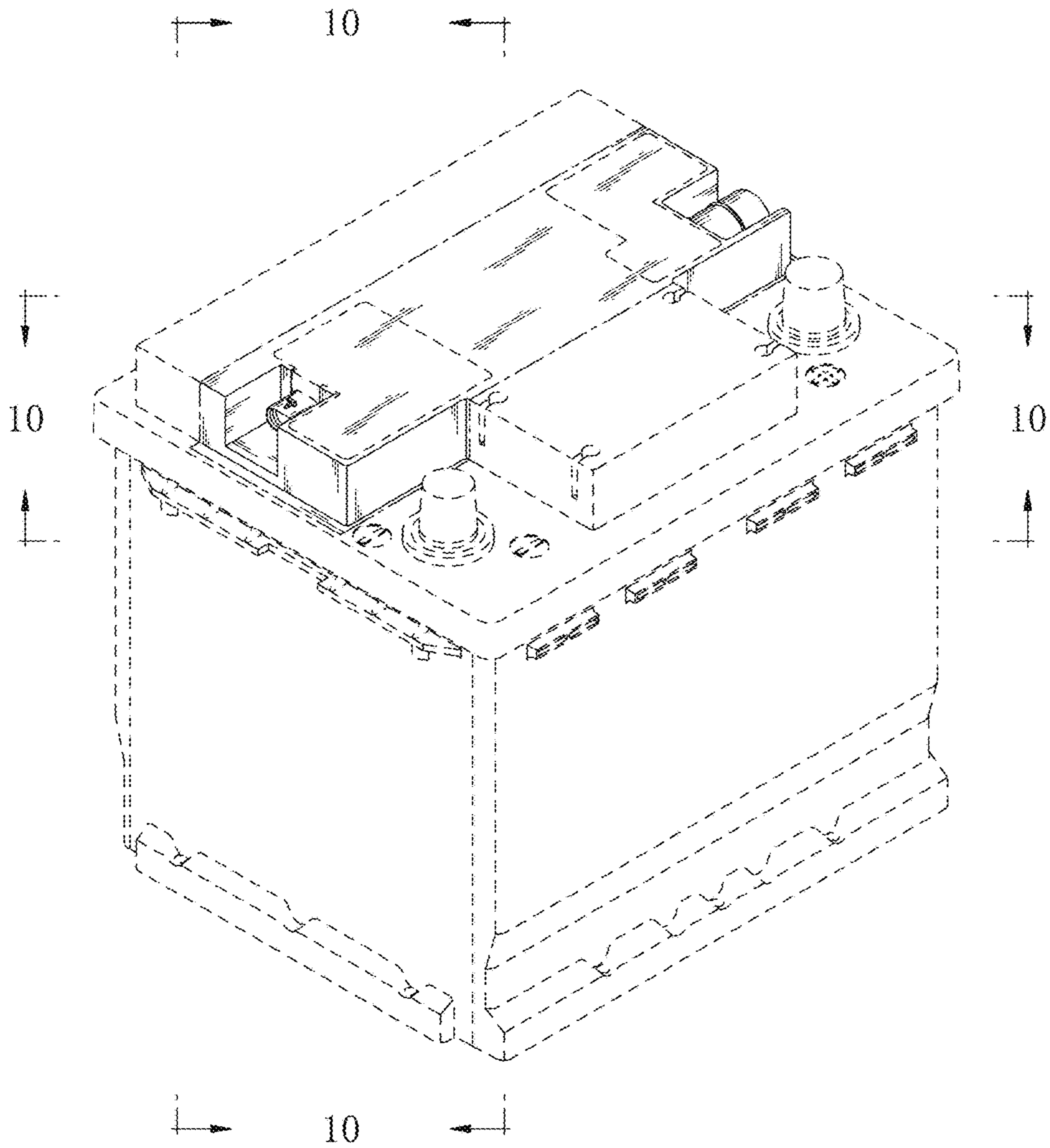


Fig.3

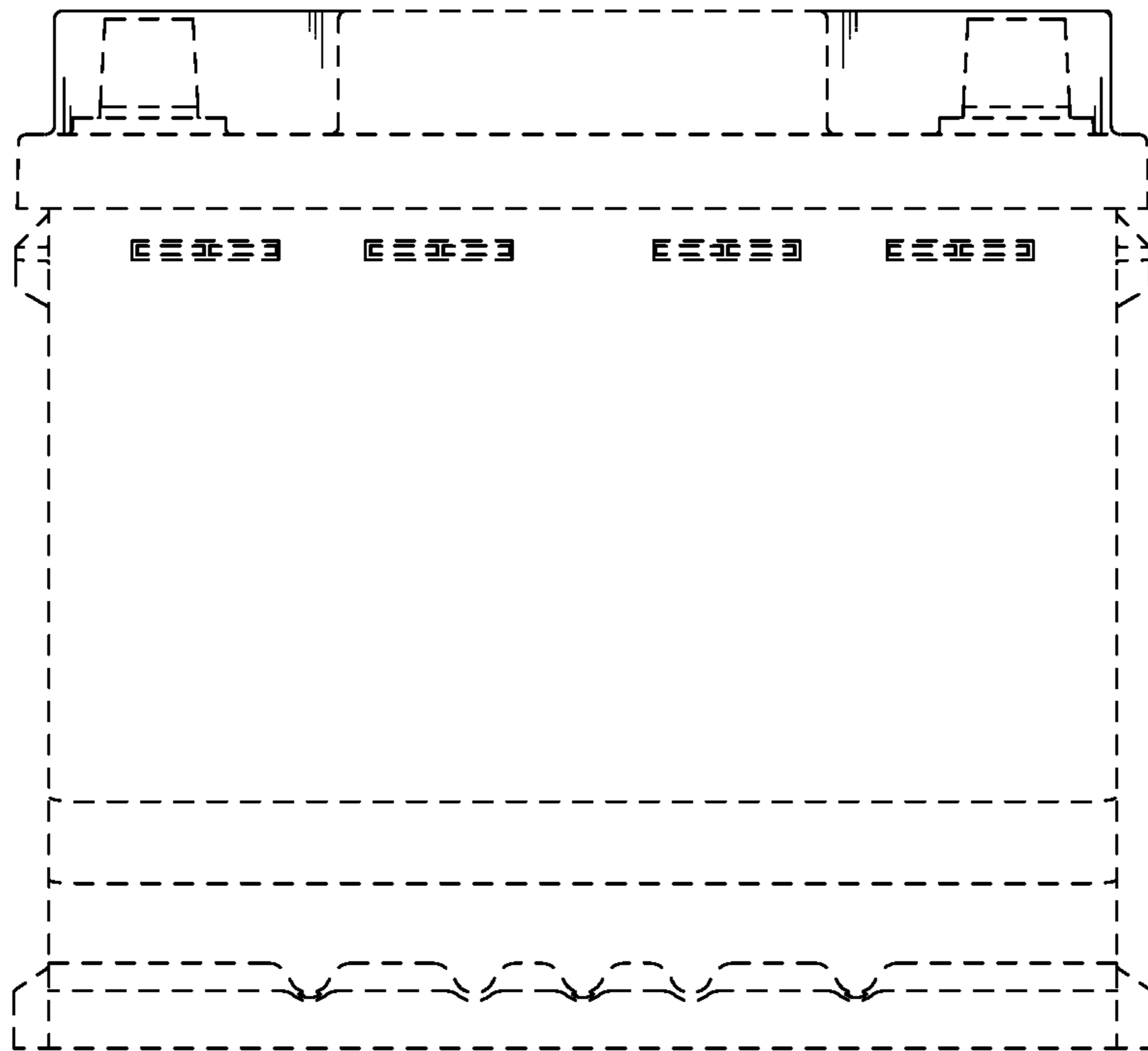


Fig.4

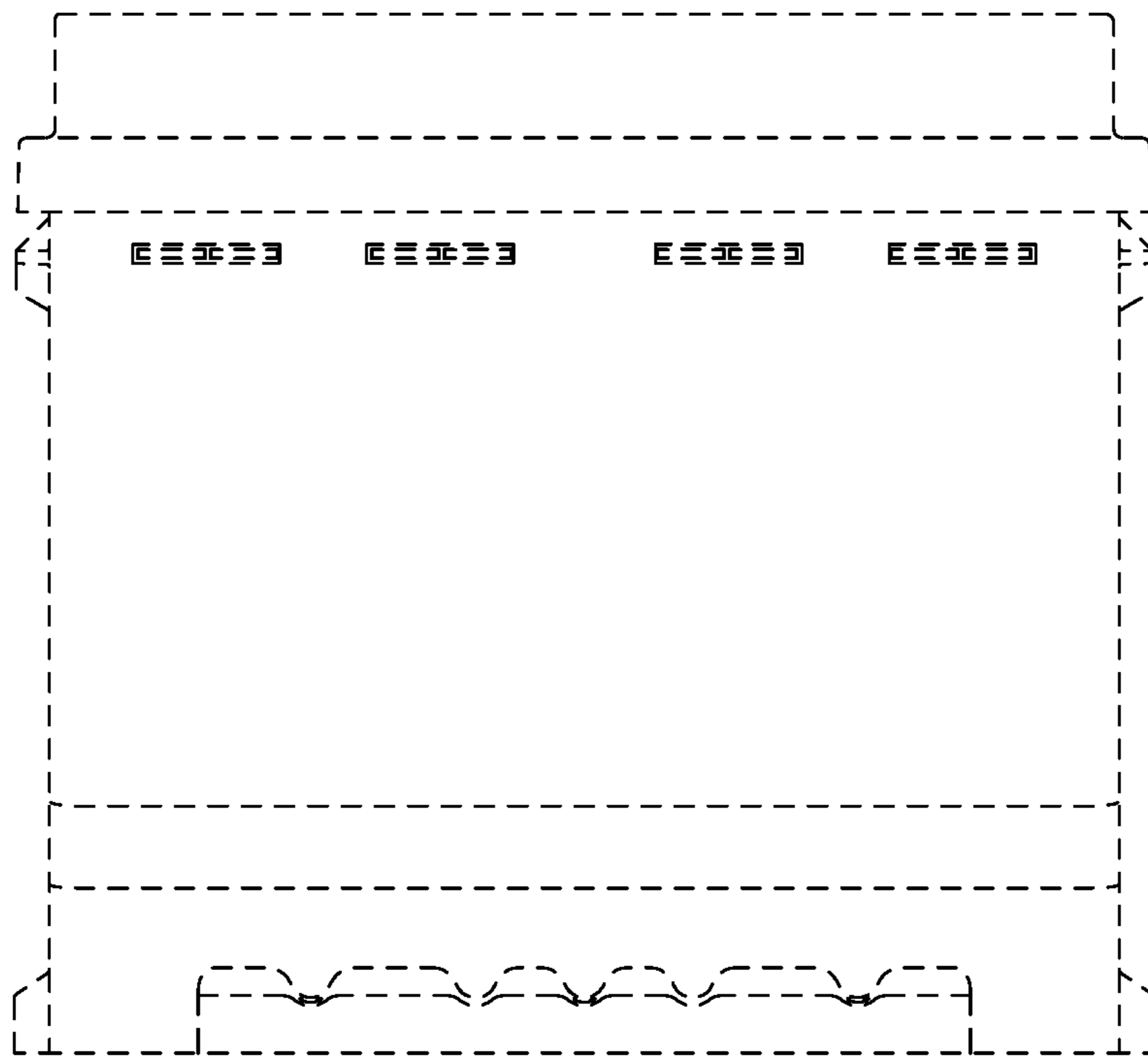


Fig.5

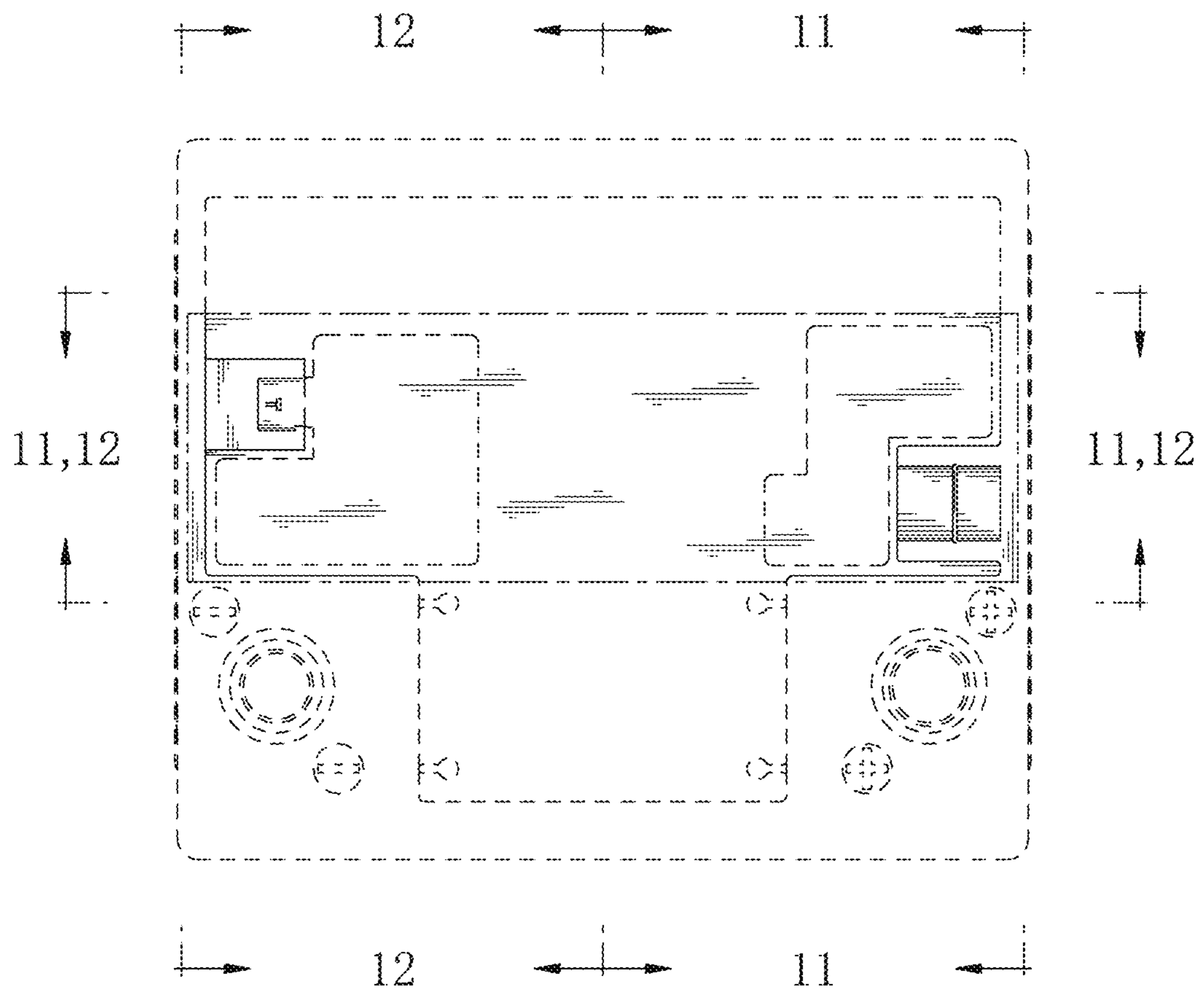


Fig.6

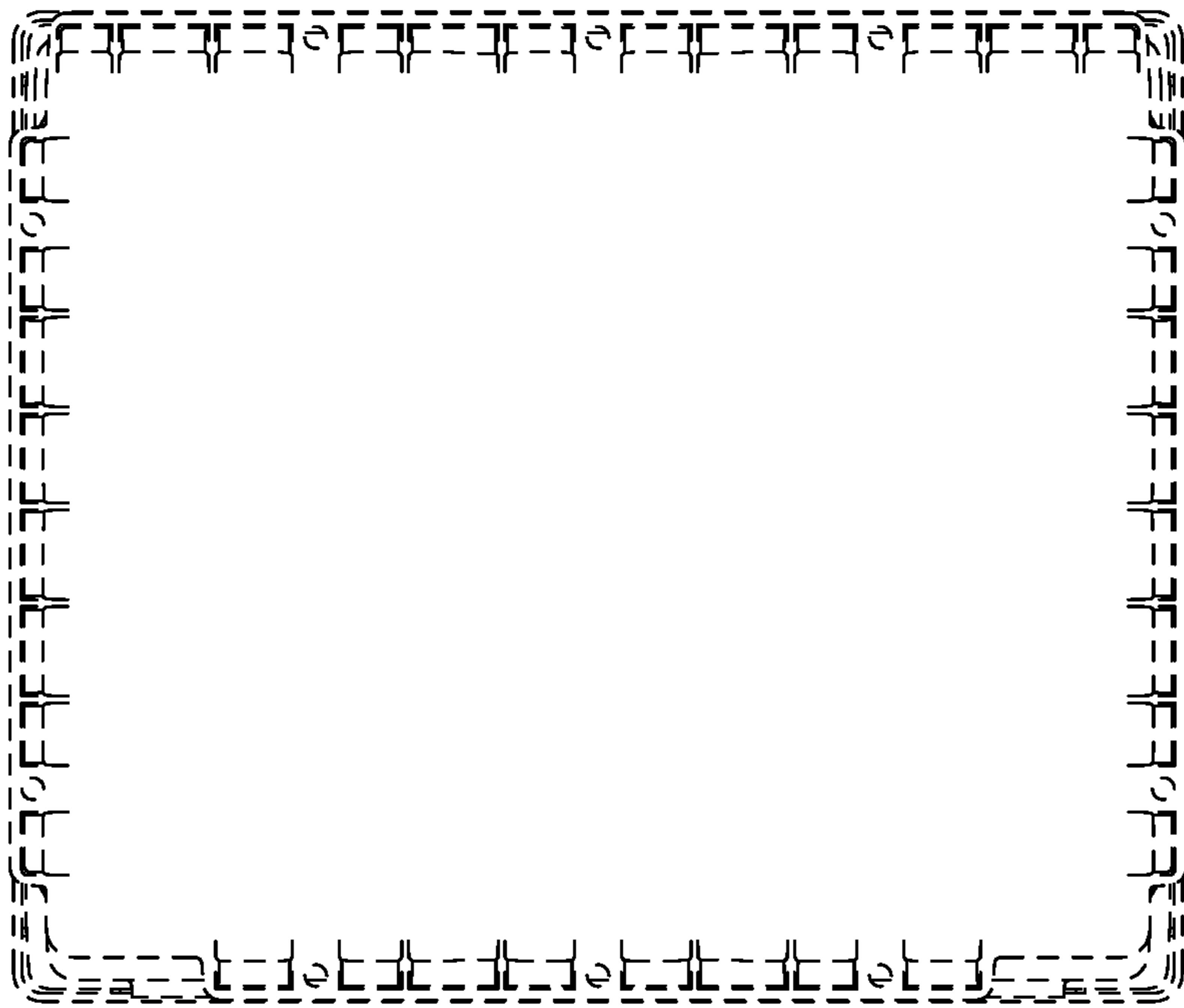


Fig.7

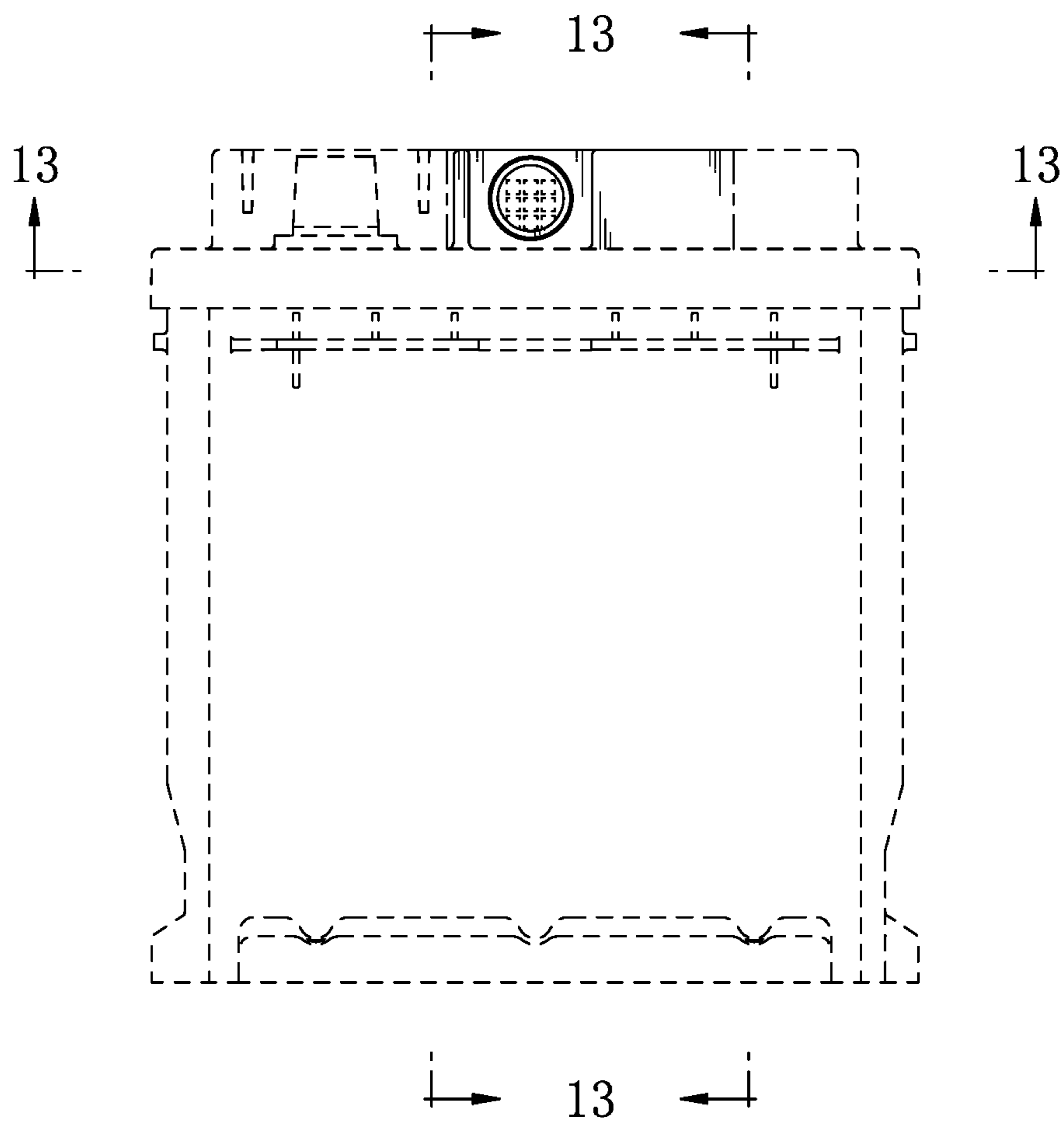


Fig.8

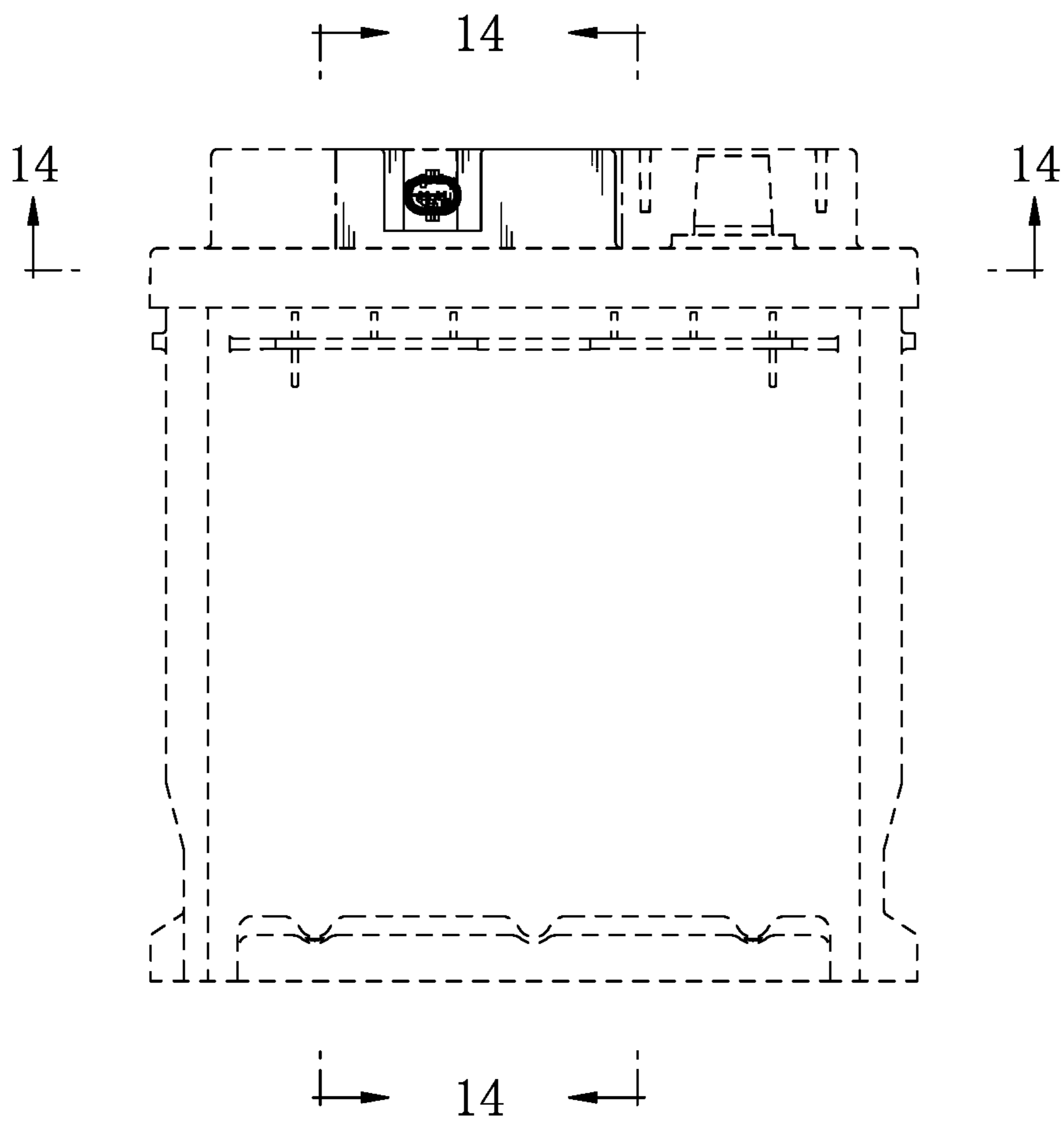


Fig.9

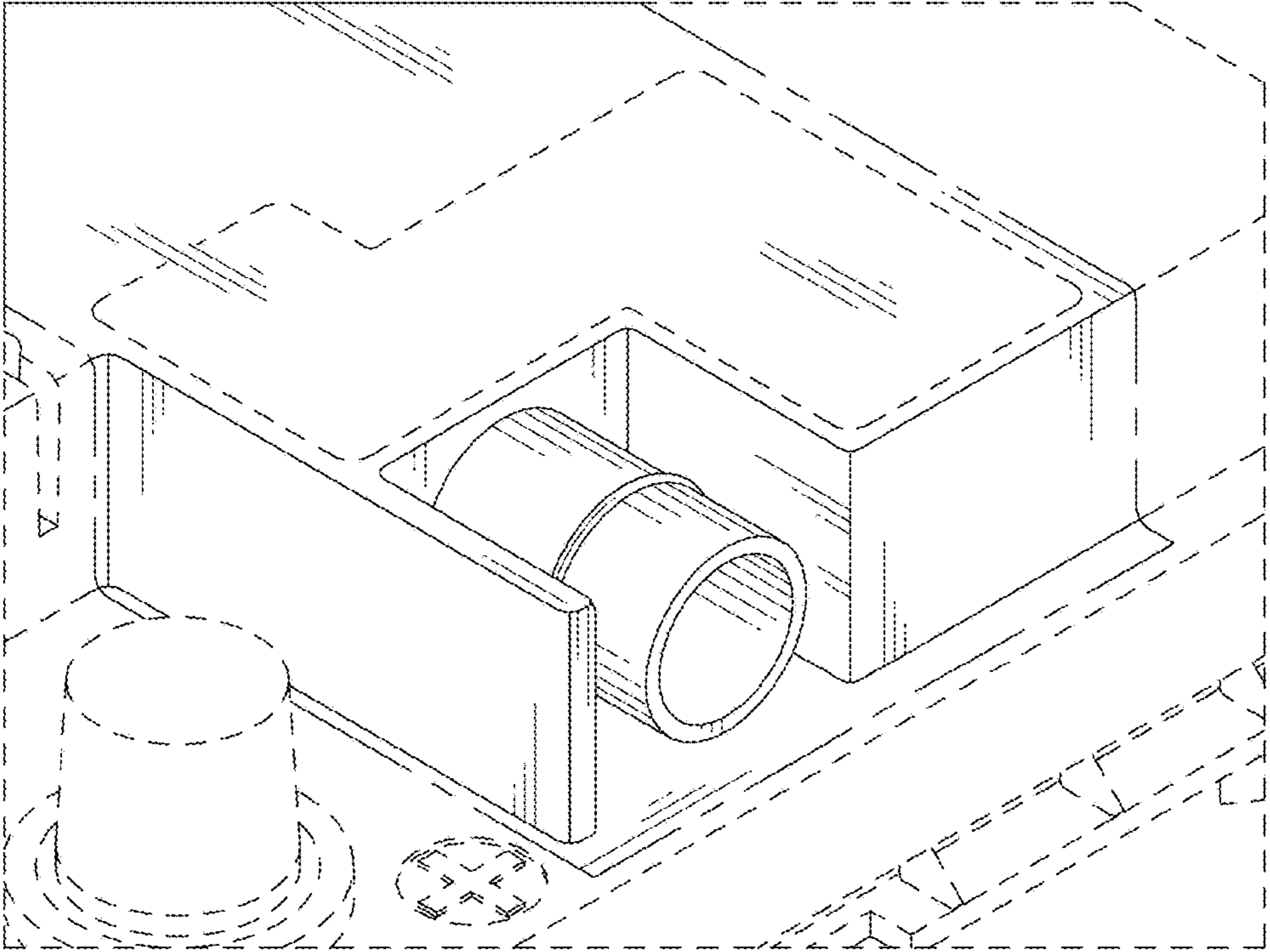


Fig.10

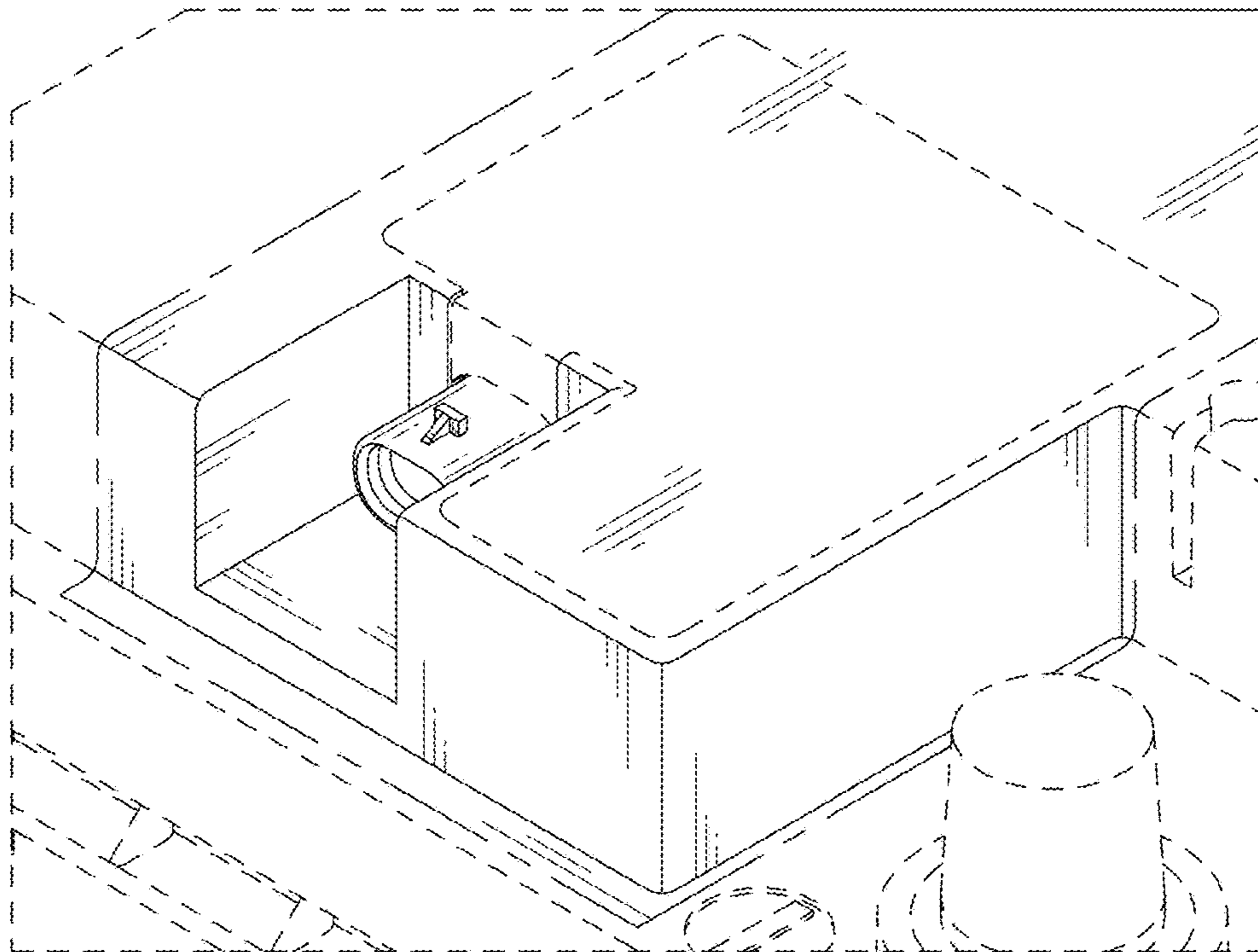


Fig. 11

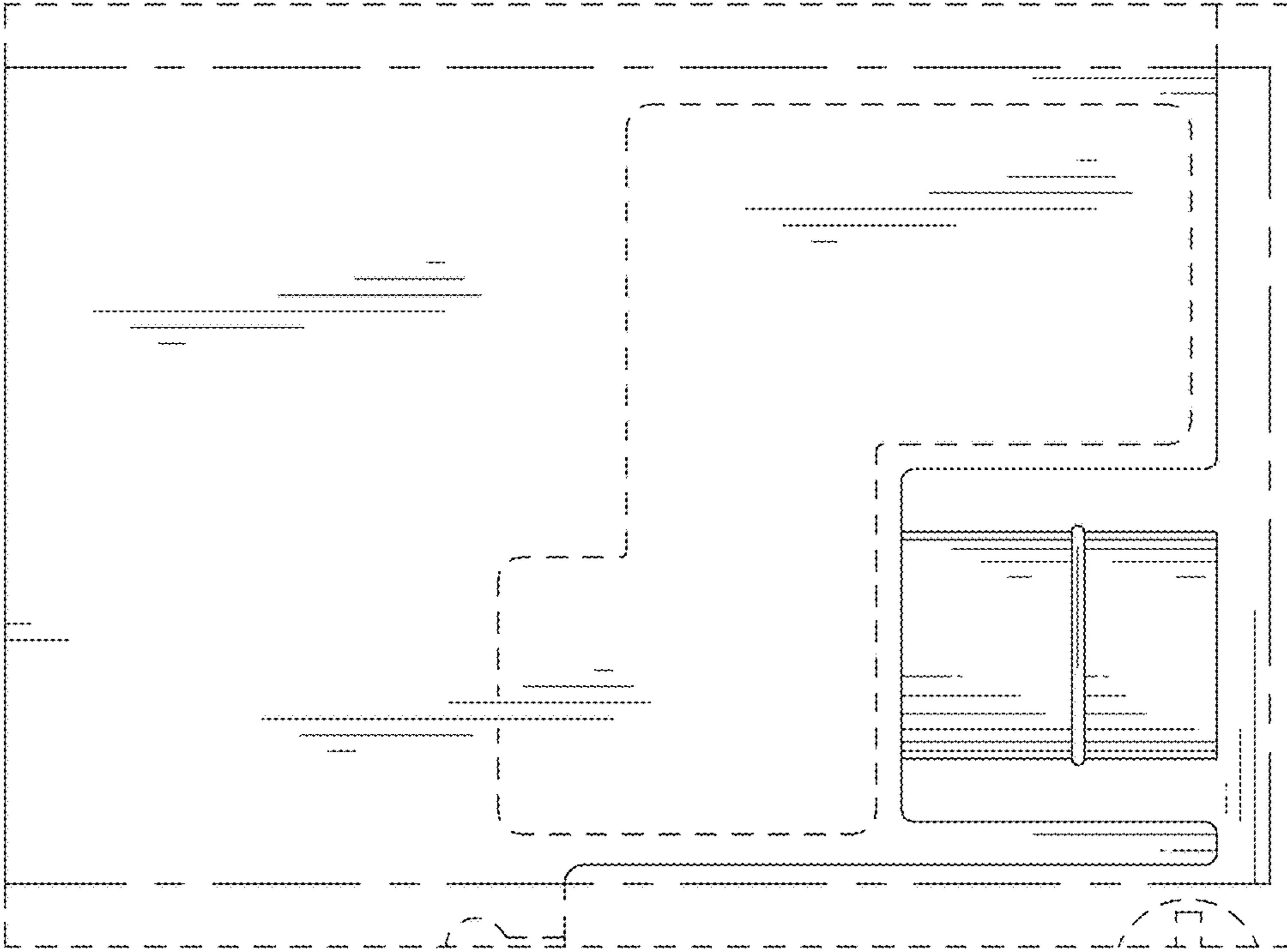


Fig.12

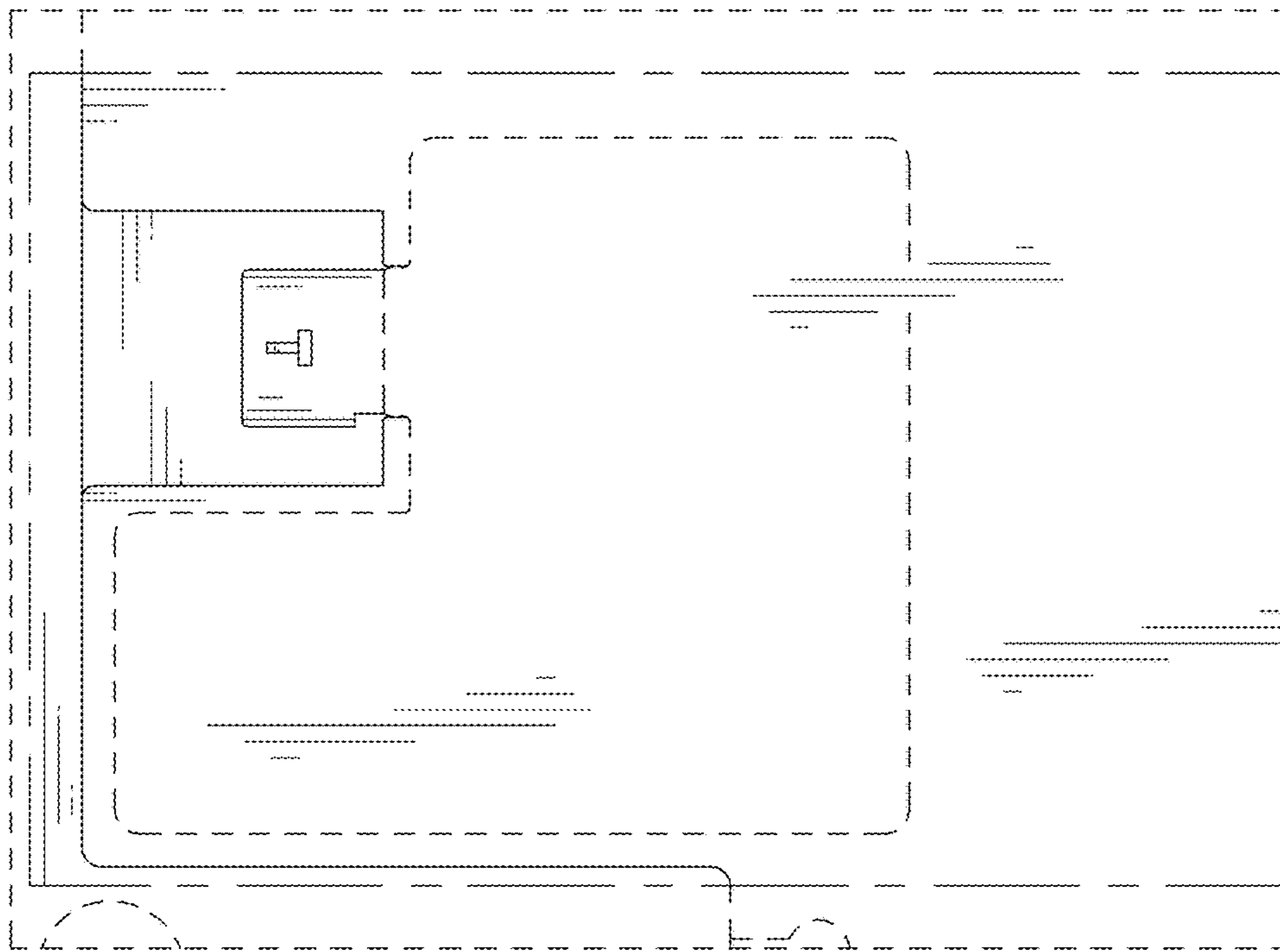


Fig. 13

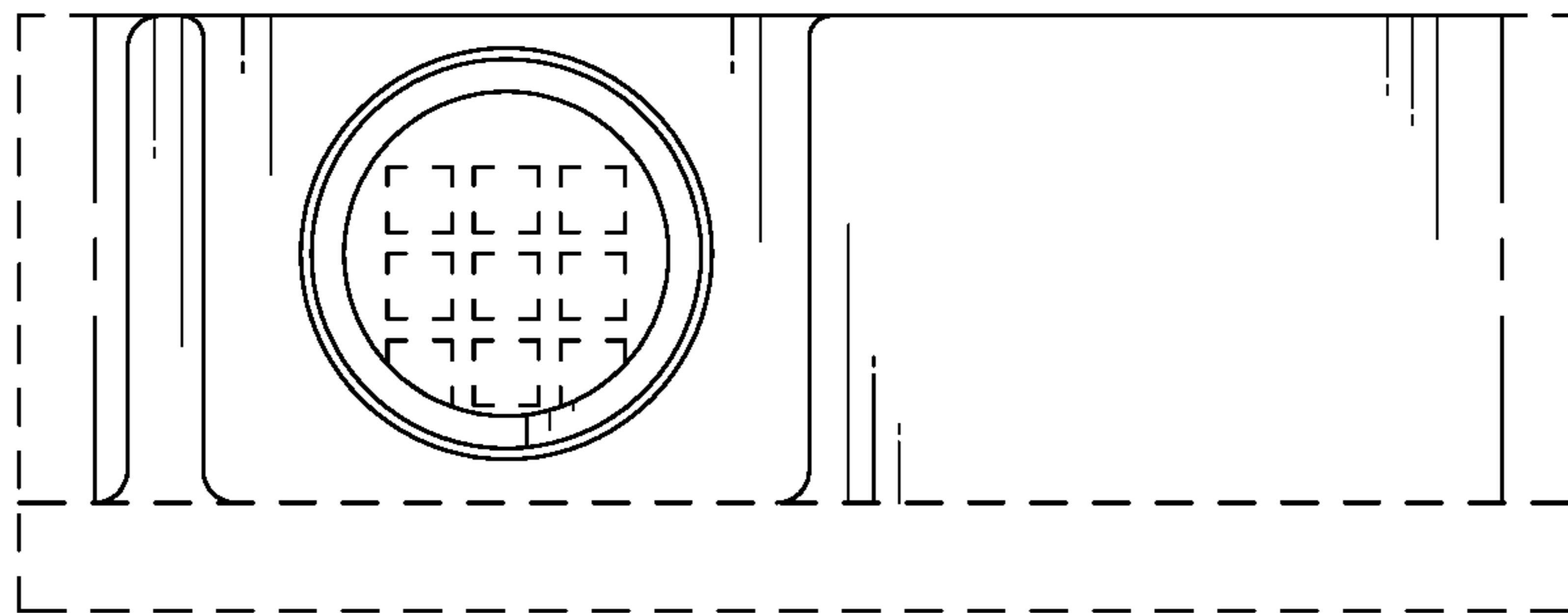


Fig.14

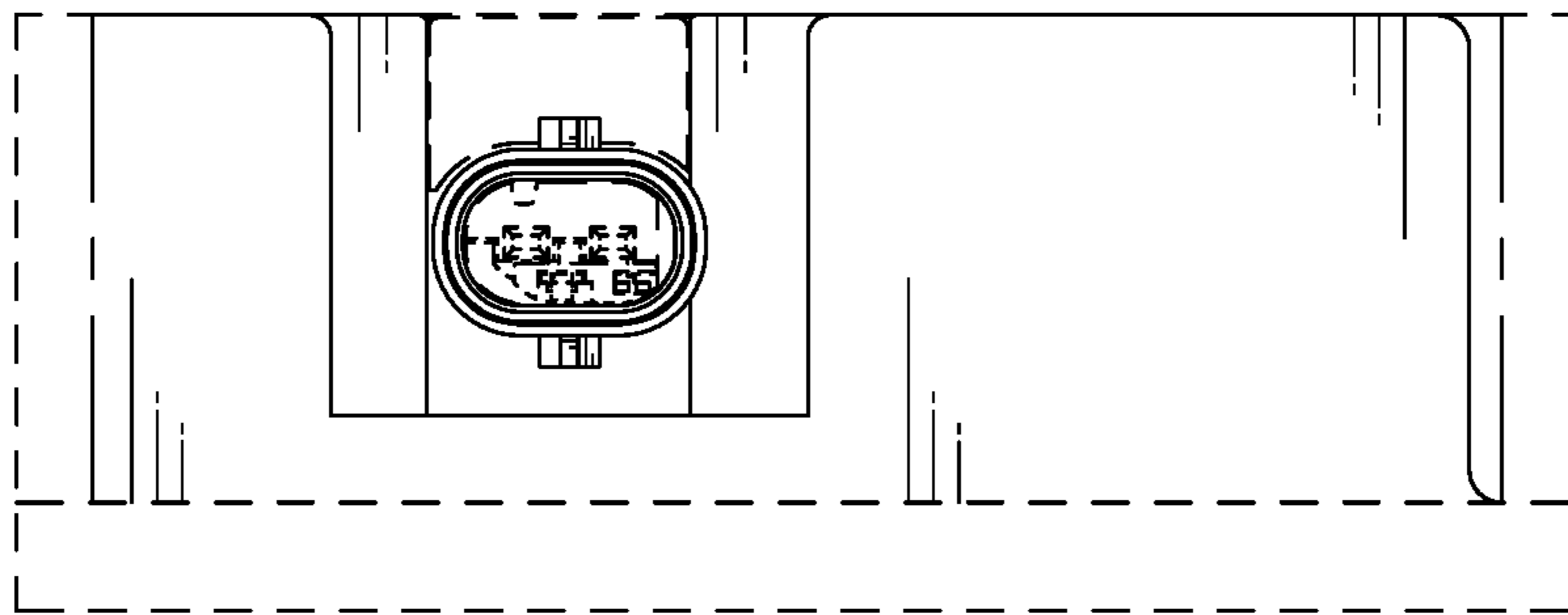


Fig. 15

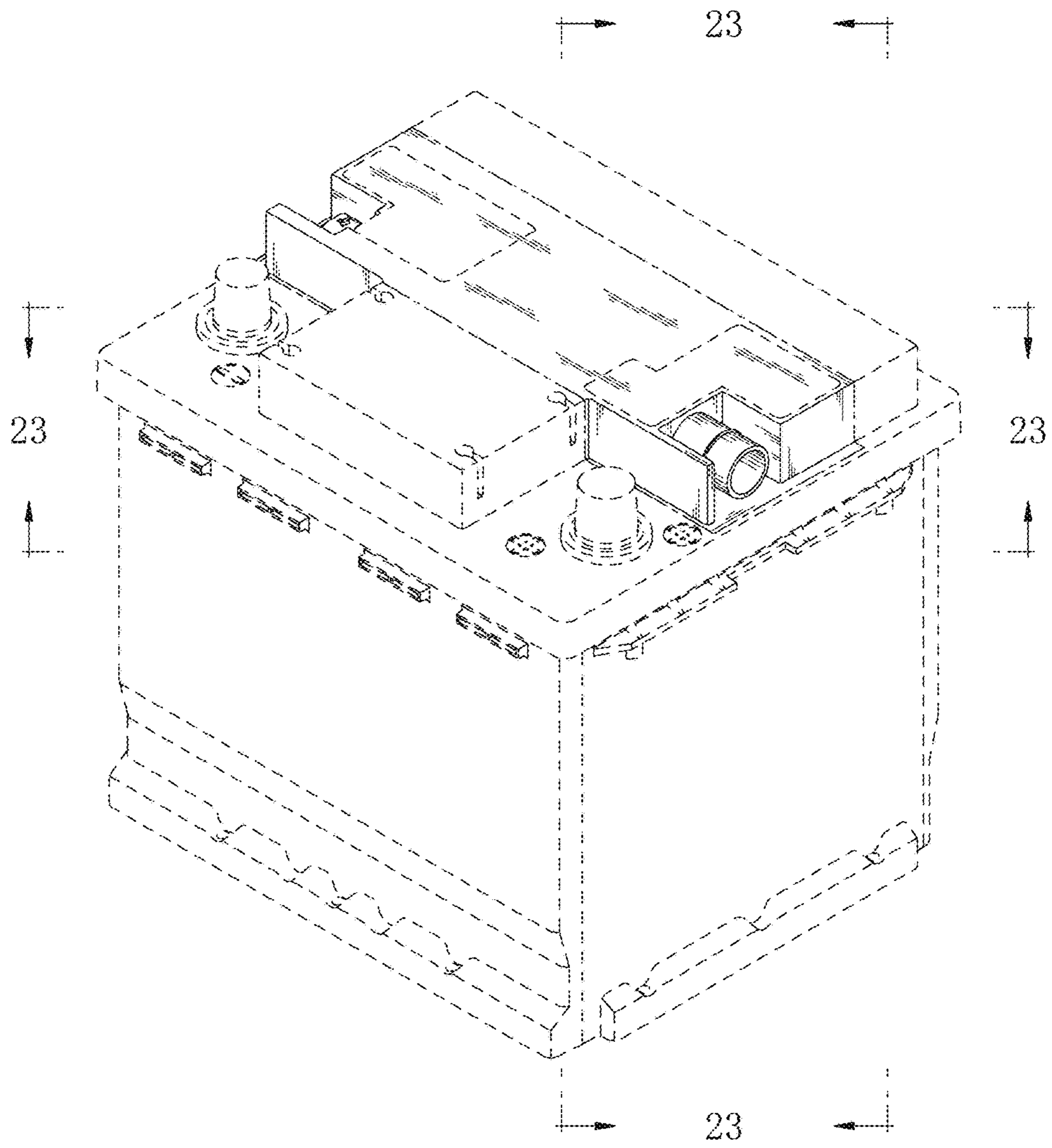


Fig.16

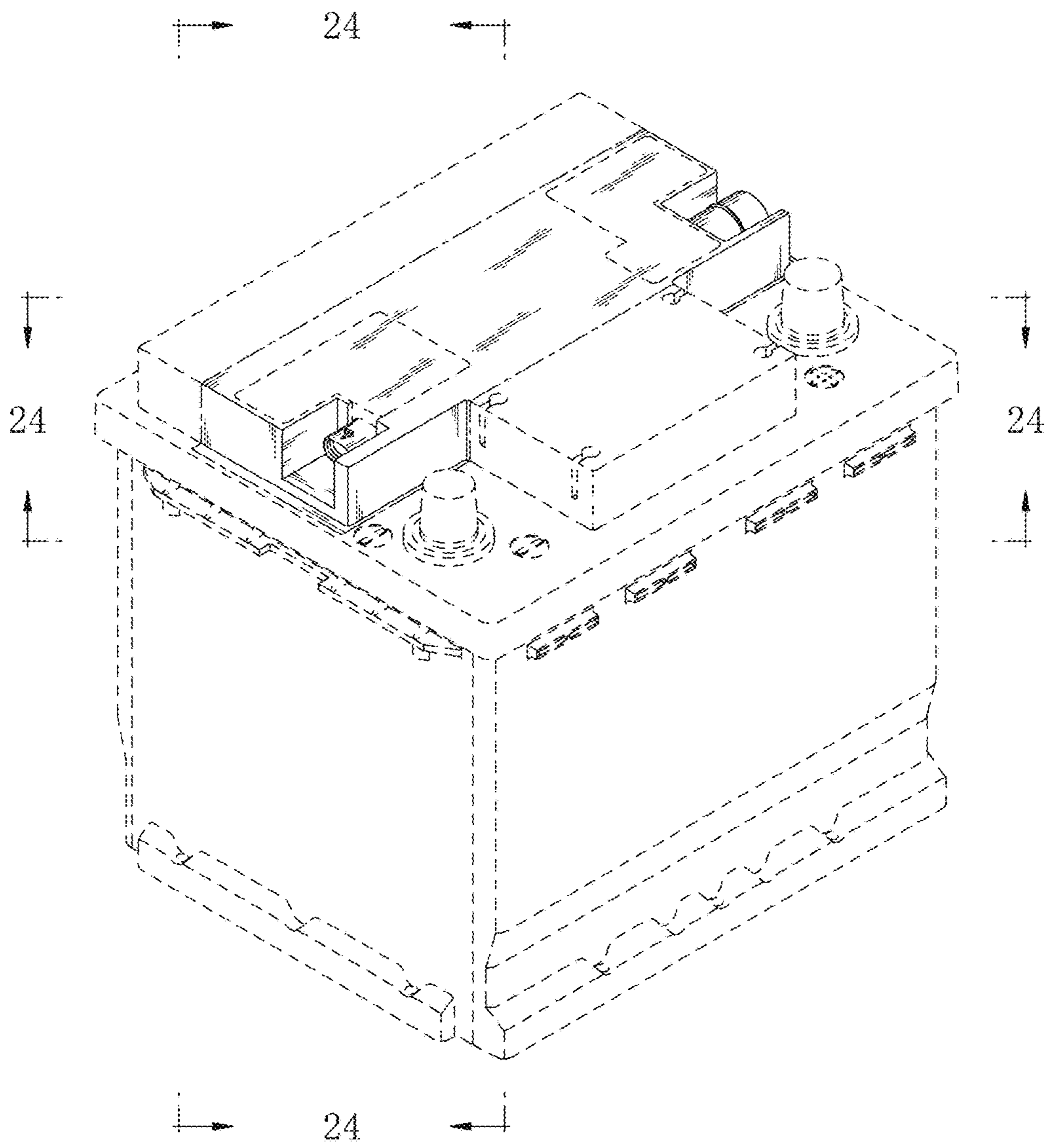


Fig.17

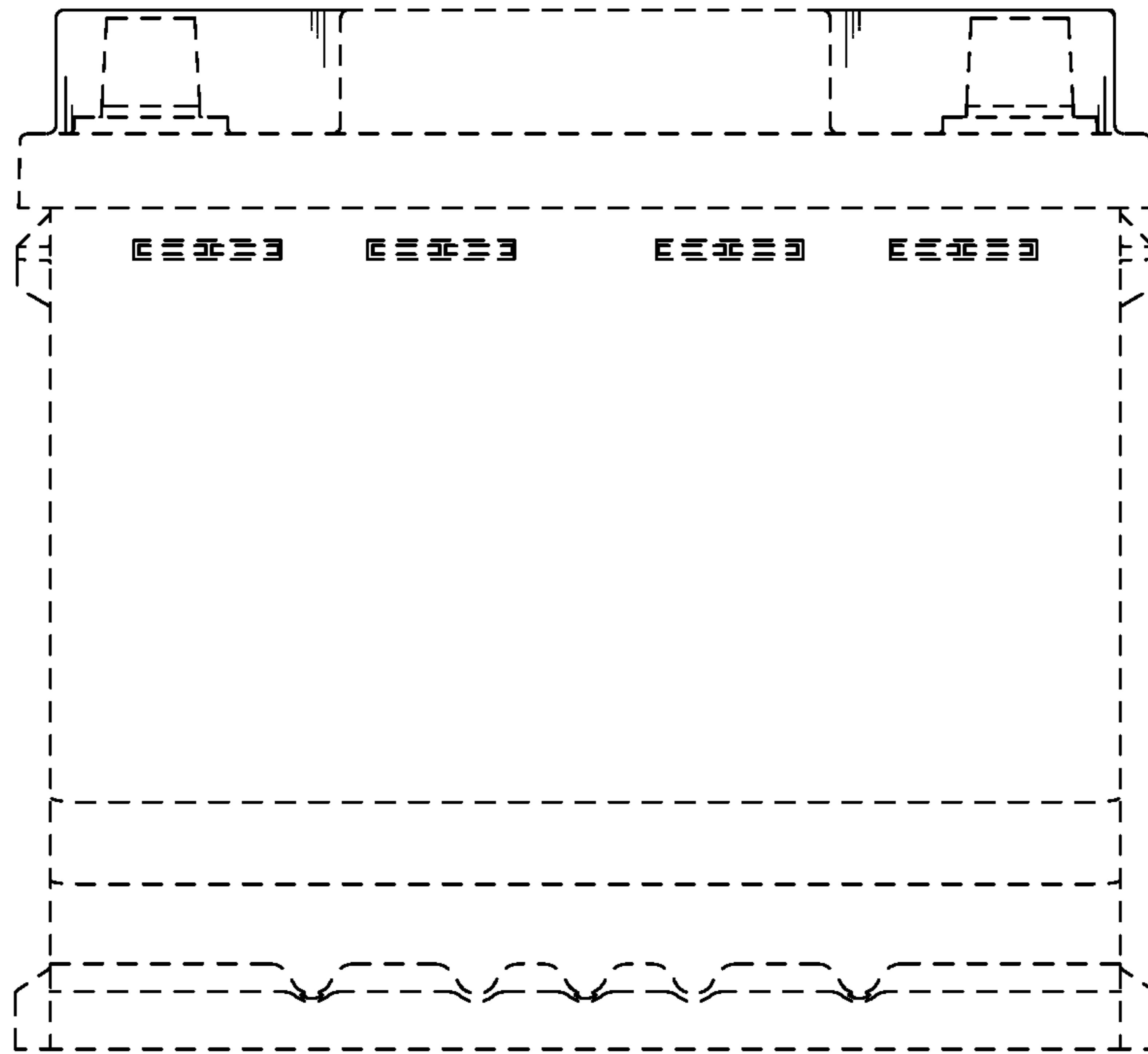


Fig.18

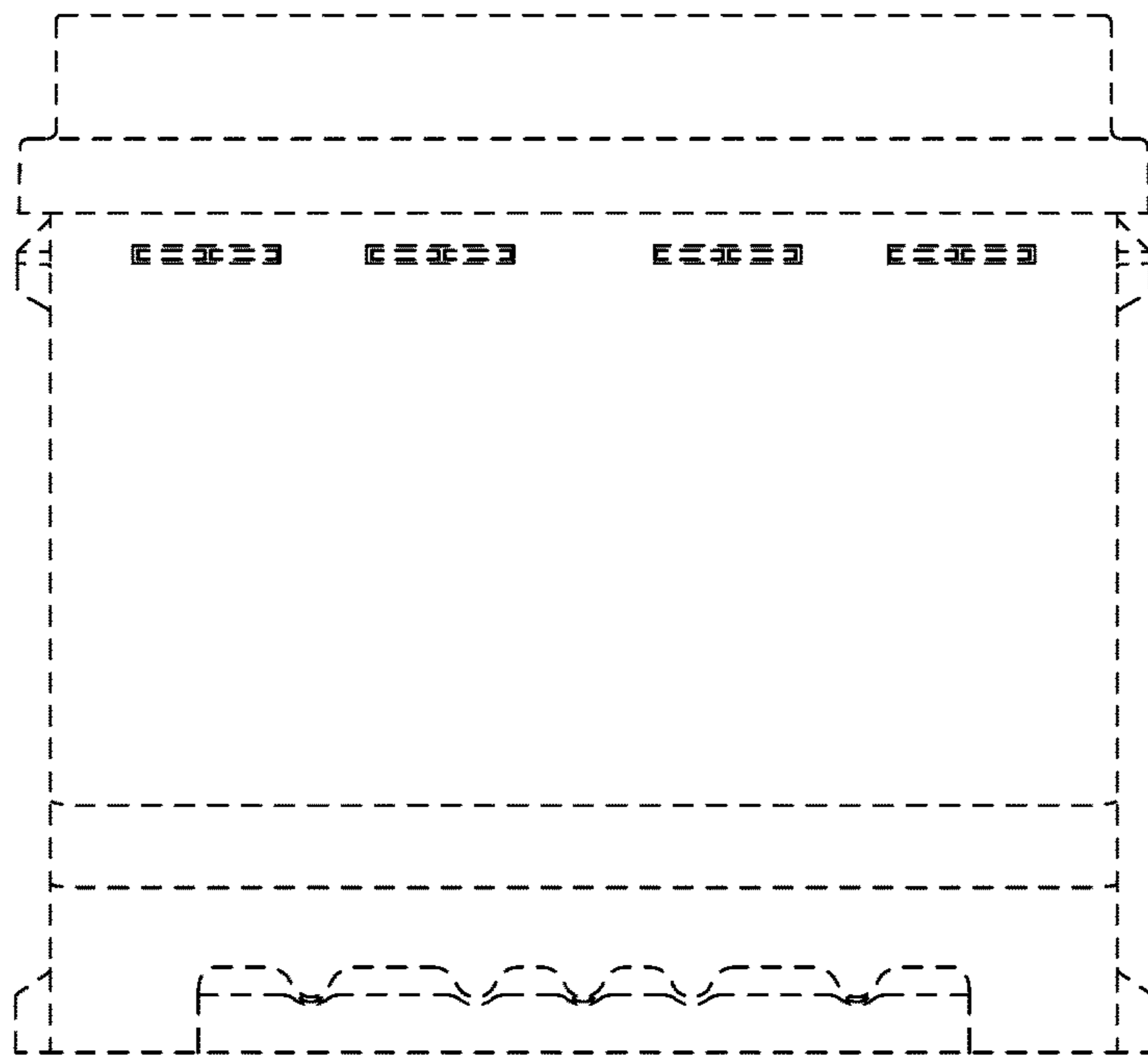


Fig.19

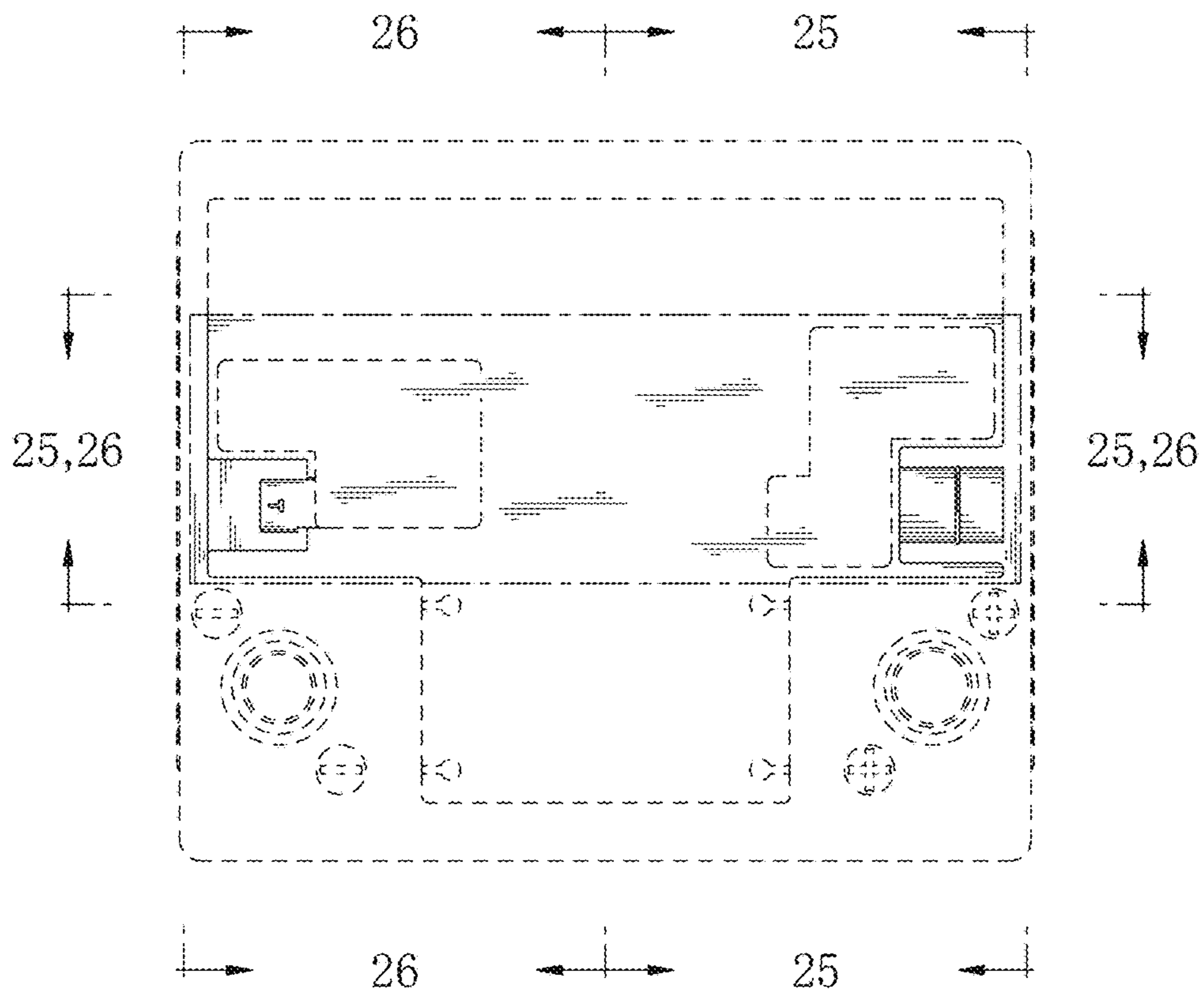


Fig.20

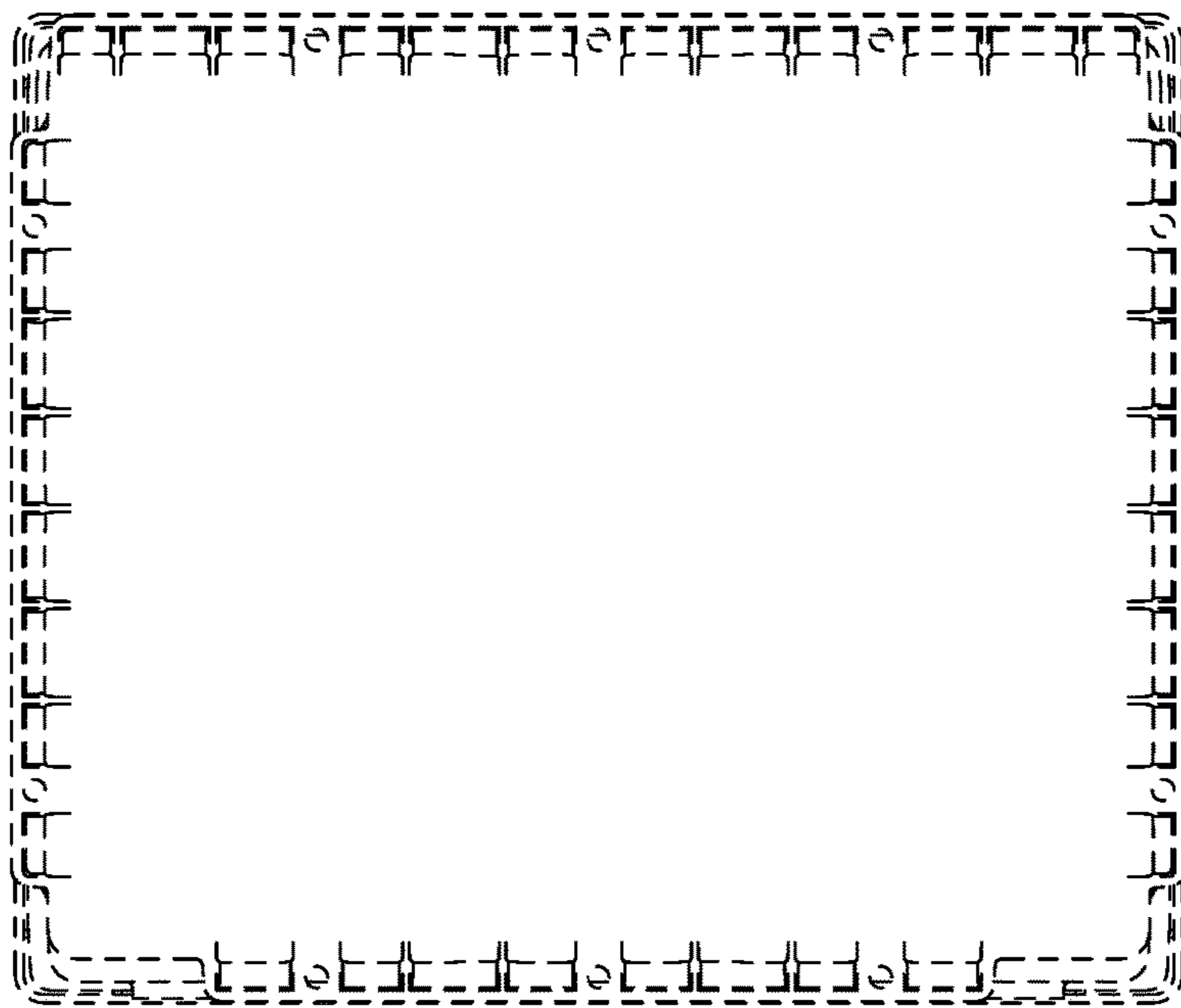


Fig.21

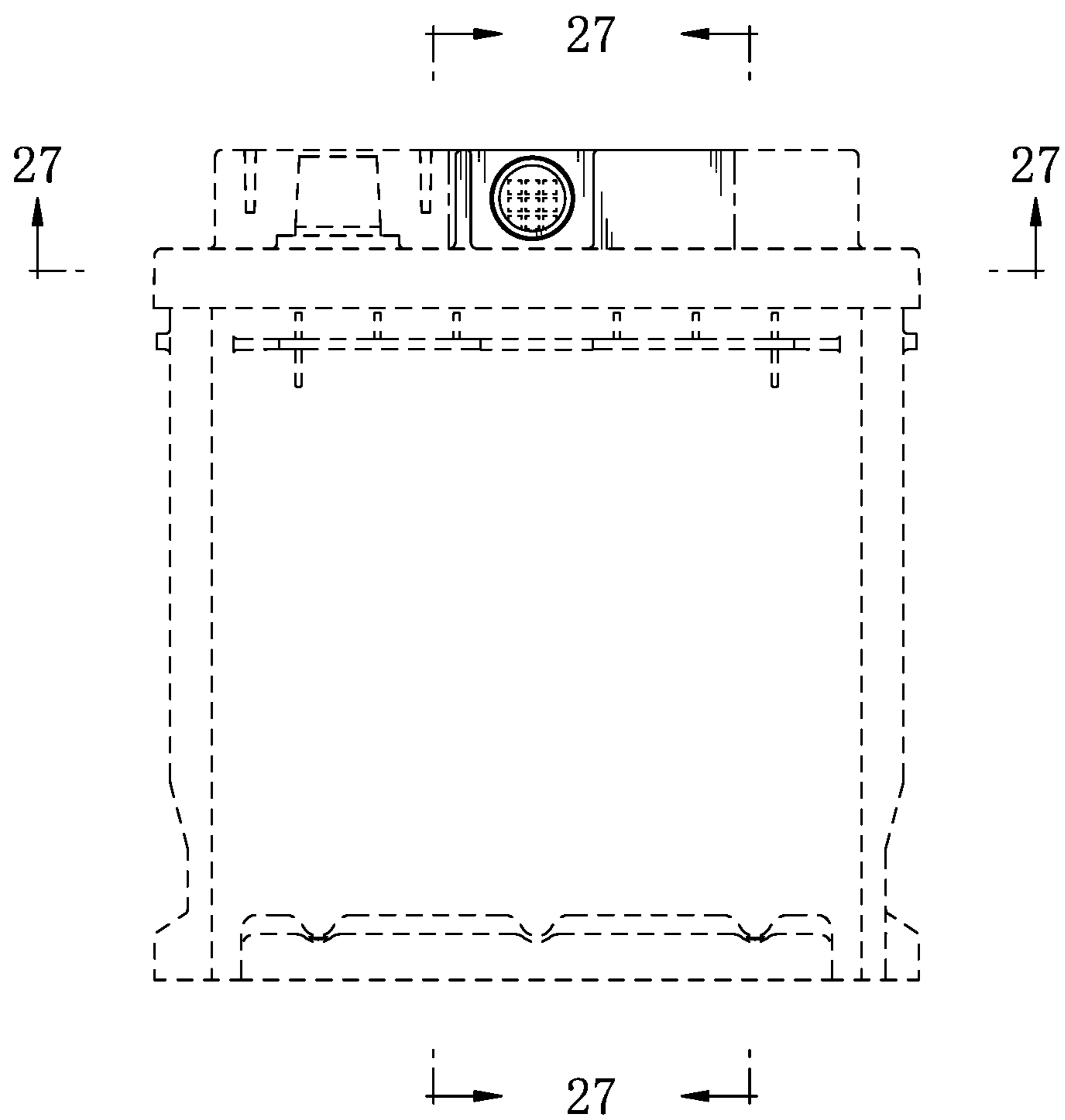


Fig.22

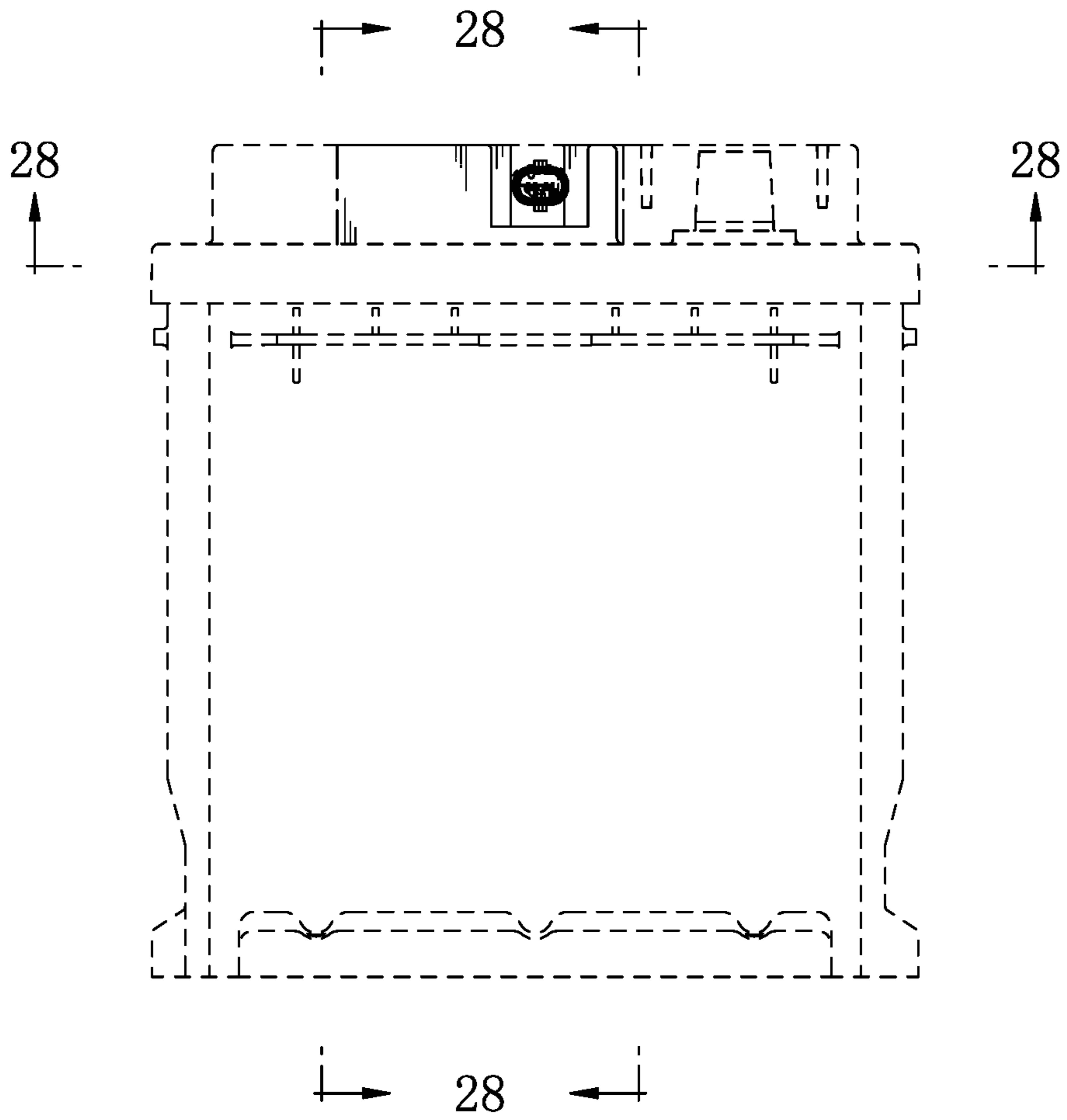


Fig.23

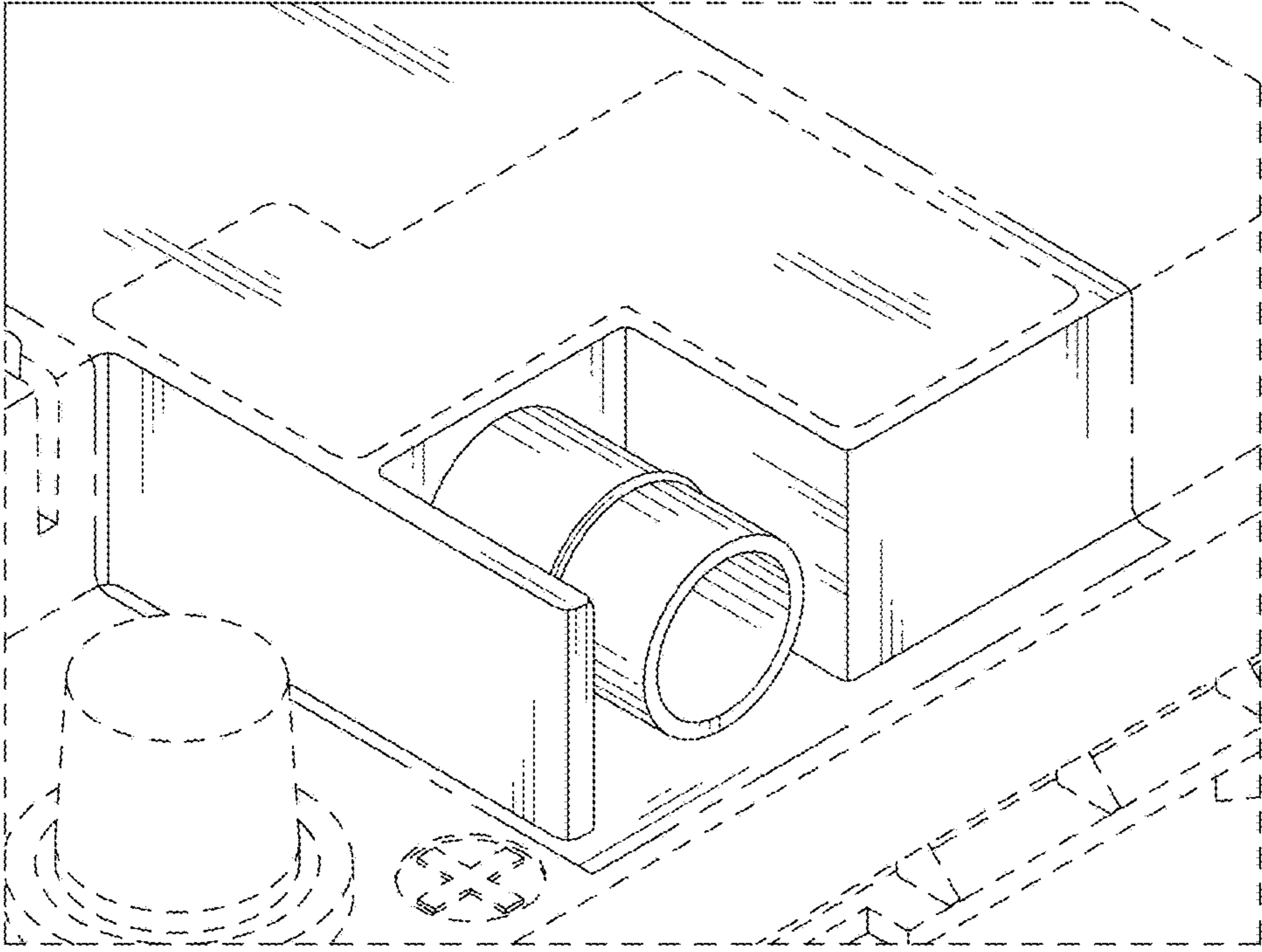


Fig.24

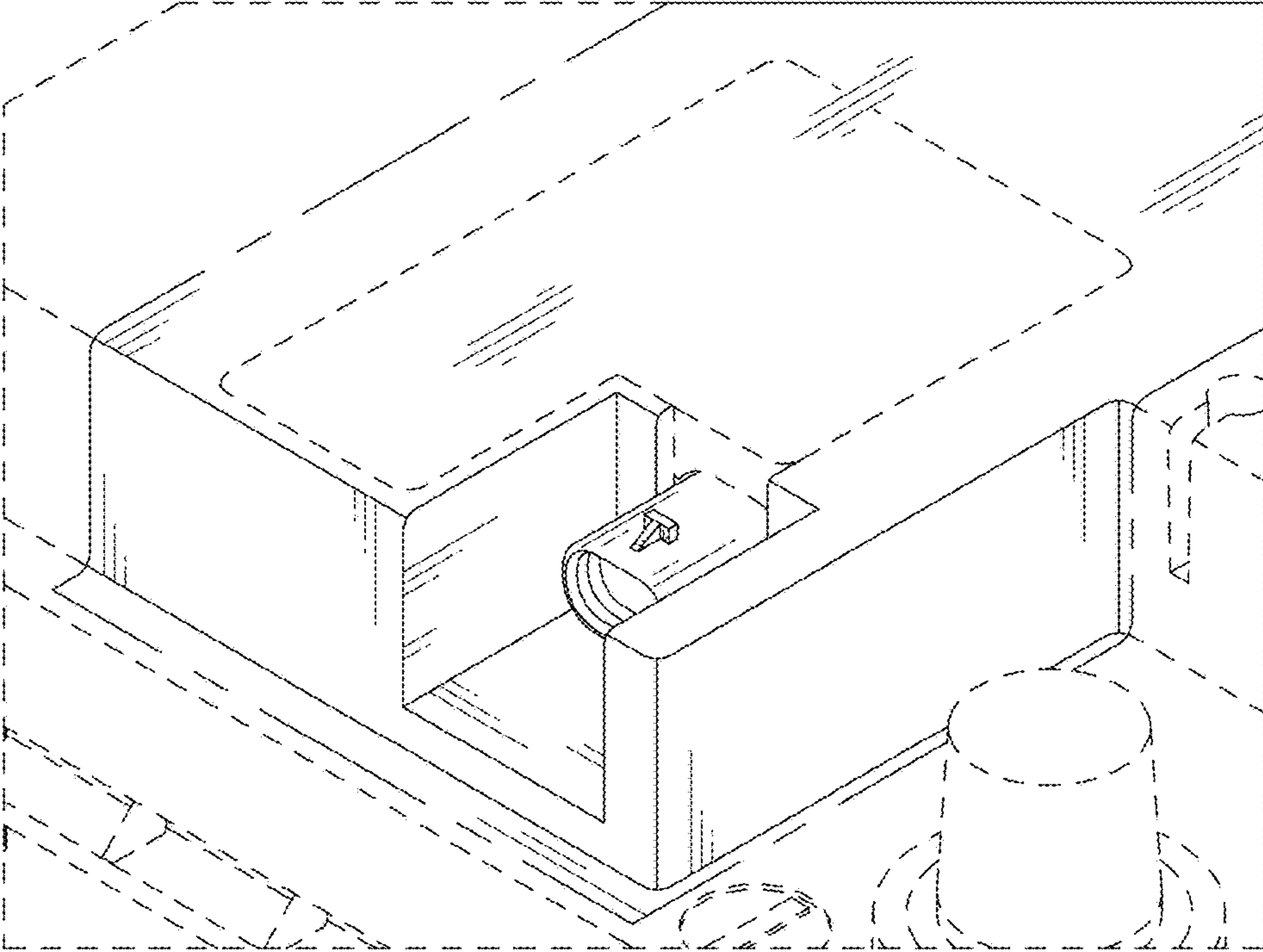


Fig.25

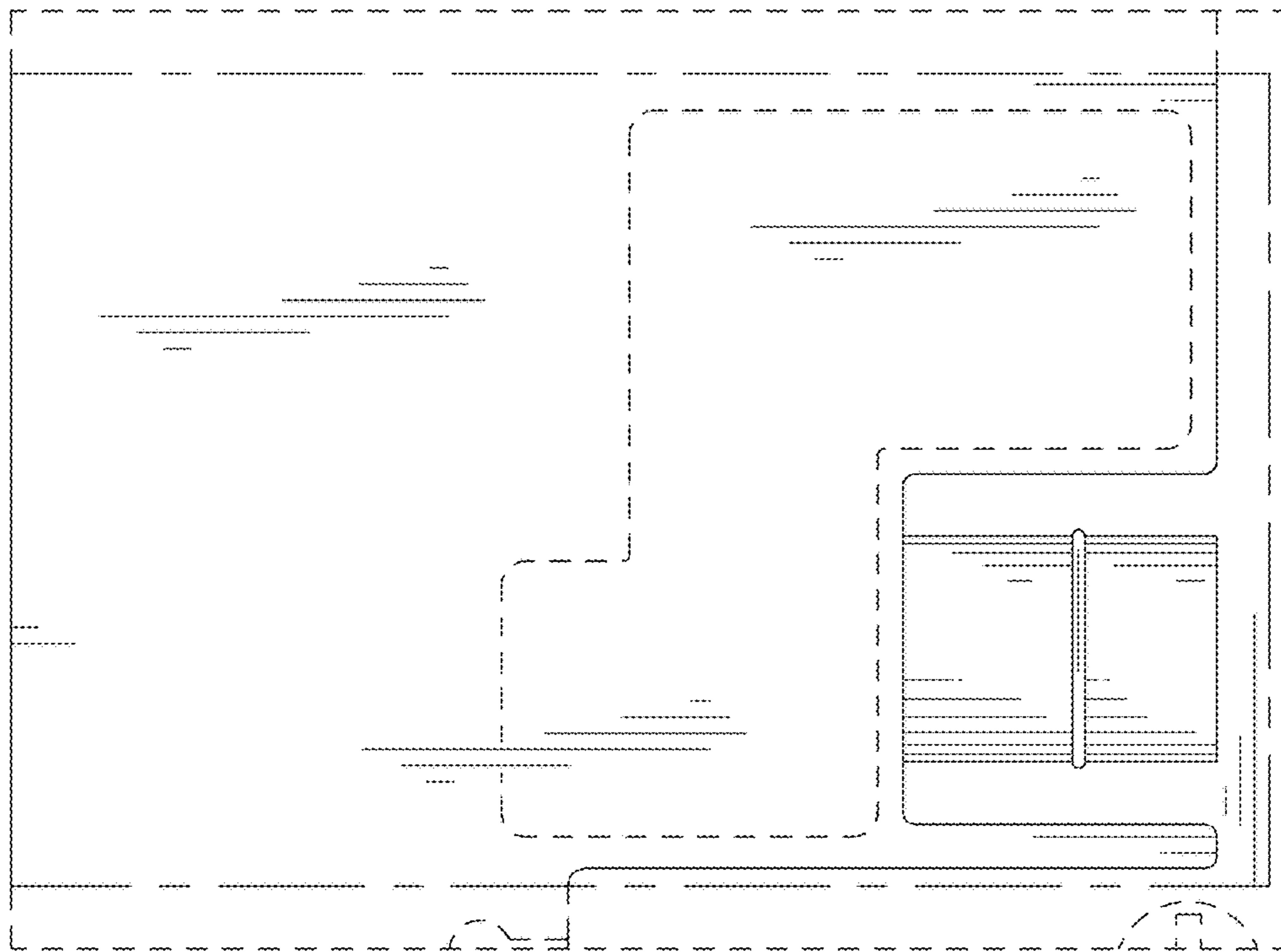


Fig.26

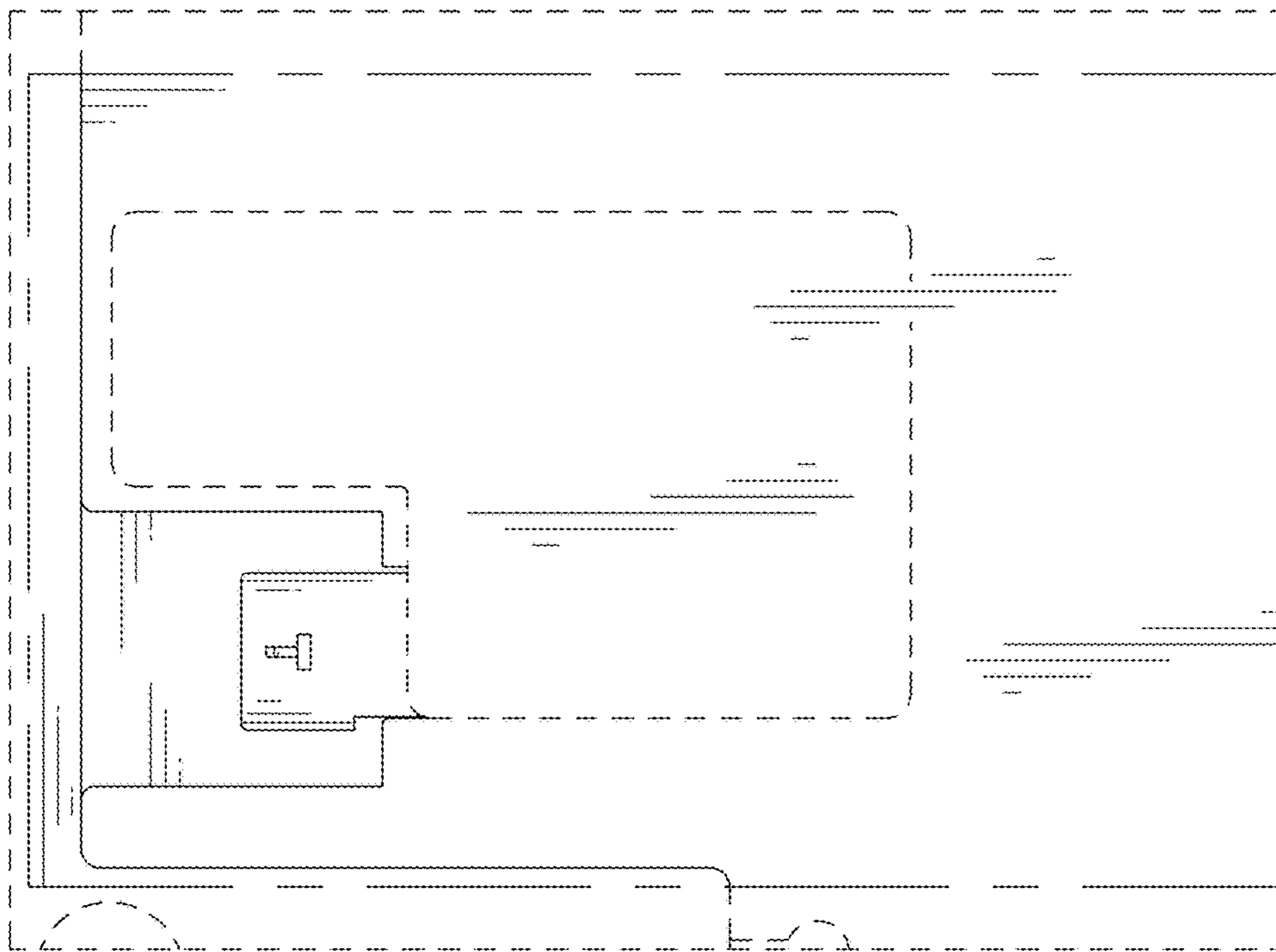


Fig.27

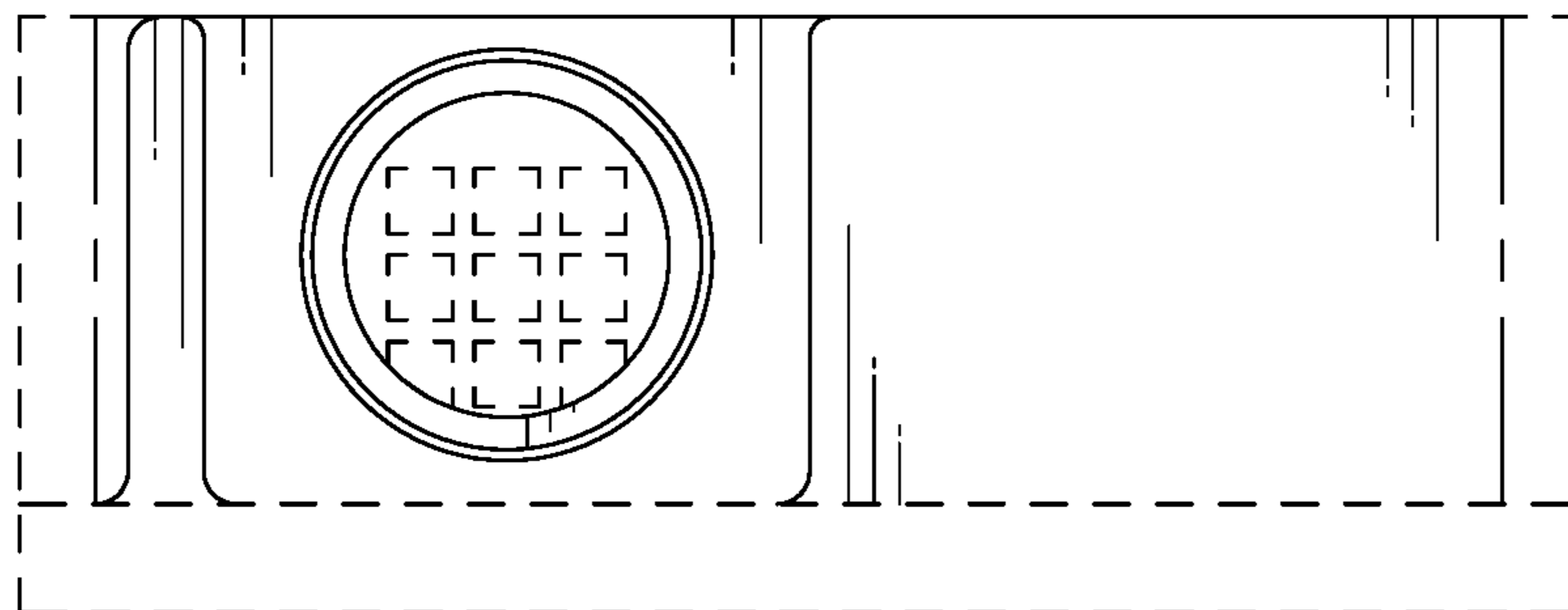


Fig.28

