



US00D817869S

(12) **United States Design Patent**  
**Lee et al.**

(10) **Patent No.:** **US D817,869 S**  
(45) **Date of Patent:** **\*\* May 15, 2018**

- (54) **BATTERY PACK**
- (71) Applicant: **MOBILETRON ELECTRONICS CO., LTD.**, Taichung (TW)
- (72) Inventors: **Hsiang-Lin Lee**, Taichung (TW);  
**Wen-Yao Chi**, Taichung (TW)
- (73) Assignee: **MOBILETRON ELECTRONICS CO., LTD.**, Taichung (TW)
- (\*\*) Term: **15 Years**
- (21) Appl. No.: **29/578,942**
- (22) Filed: **Sep. 26, 2016**
- (51) **LOC (11) Cl.** ..... **13-02**
- (52) **U.S. Cl.**  
USPC ..... **D13/103**
- (58) **Field of Classification Search**  
USPC ..... D13/102-106, 110, 118-119, 184  
CPC .... Y02E 60/12; Y02E 60/122; Y02E 60/124;  
Y02E 60/50; H01M 2/02; H01M 2/022;  
H01M 2/0202; H01M 2/0207; H01M  
2/0212; H01M 2/1061; H01M 2/1022;  
H01M 2/1055; H01M 2/1066; H01M  
2/105; H01M 2/204; H01M 10/4257;  
H01M 10/0436; H01M 10/48  
See application file for complete search history.

D323,642 S *	2/1992	Liao .....	D13/103
D342,479 S *	12/1993	Kimata .....	D13/103
D350,111 S *	8/1994	Okumura .....	D13/103
D352,698 S *	11/1994	Okumura .....	D13/103
D397,991 S *	9/1998	Kawakami .....	D13/103
D432,077 S *	10/2000	Zurwelle .....	D13/103
D474,445 S *	5/2003	Matsuoka .....	D13/103
D488,774 S *	4/2004	Zufall .....	D13/103
D528,975 S *	9/2006	Chi .....	D13/103
D547,264 S *	7/2007	Kondo .....	D13/103
D597,482 S *	8/2009	Kondo .....	D13/103

\* cited by examiner

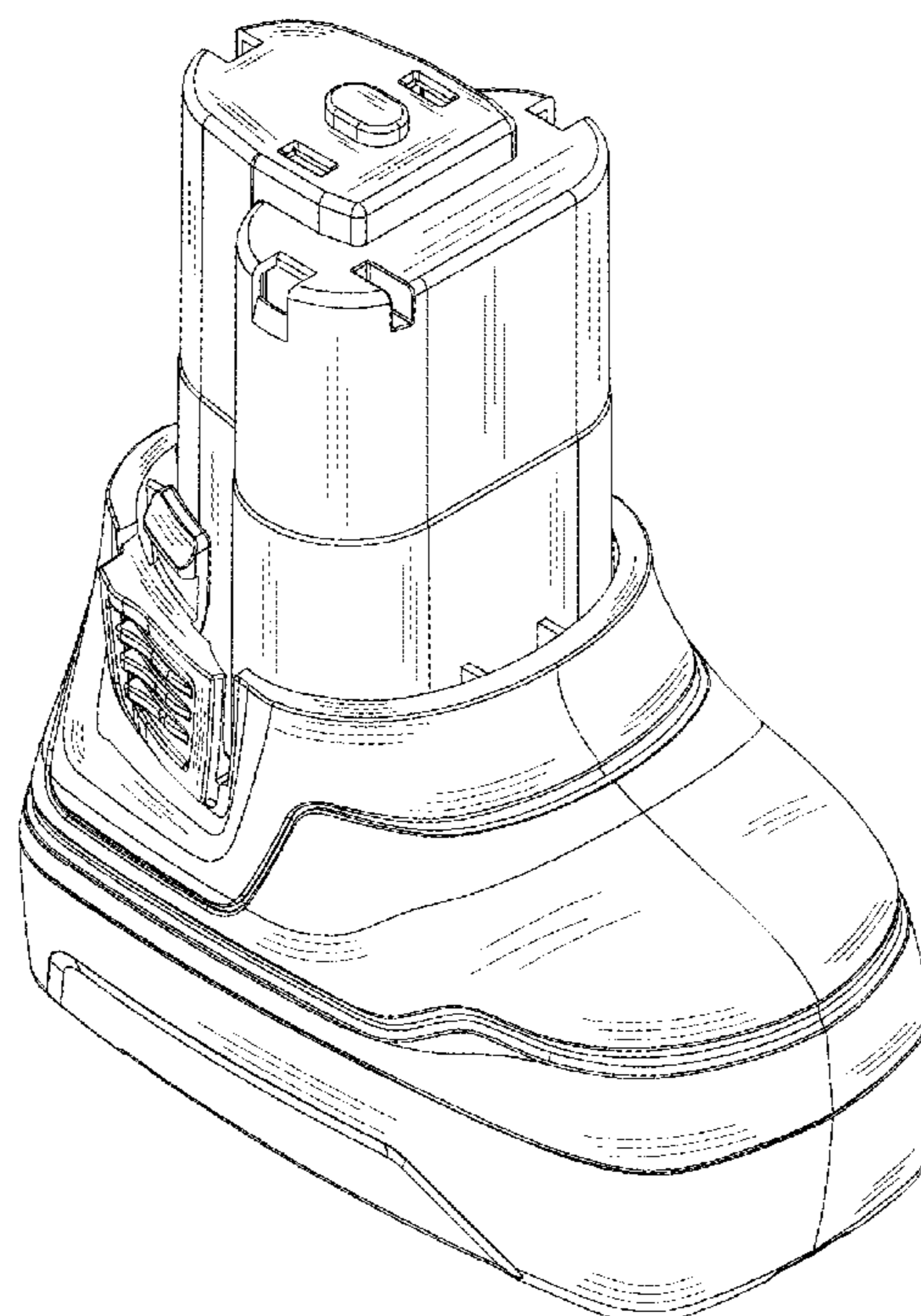
*Primary Examiner* — Robert M. Spear  
*Assistant Examiner* — Alison M Ofstun  
(74) *Attorney, Agent, or Firm* — Lynette Wylie; Apex  
Juris, pllc.

- (56) **References Cited**  
U.S. PATENT DOCUMENTS  
D306,573 S \* 3/1990 Schultz ..... D13/103  
D306,574 S \* 3/1990 Schultz ..... D13/103

(57) **CLAIM**  
The ornamental design for a battery pack, as shown and described.

**DESCRIPTION**  
FIG. 1 is a perspective view of the battery pack;  
FIG. 2 is a front view of the battery pack;  
FIG. 3 is a rear view of the battery pack;  
FIG. 4 is a top view of the battery pack;  
FIG. 5 is a bottom view of the battery pack;  
FIG. 6 is a left side view of the battery pack; and,  
FIG. 7 is a right side view of the battery pack.  
In the drawings, the broken lines illustrate portions of the article that form no part of the claimed design.

**1 Claim, 6 Drawing Sheets**



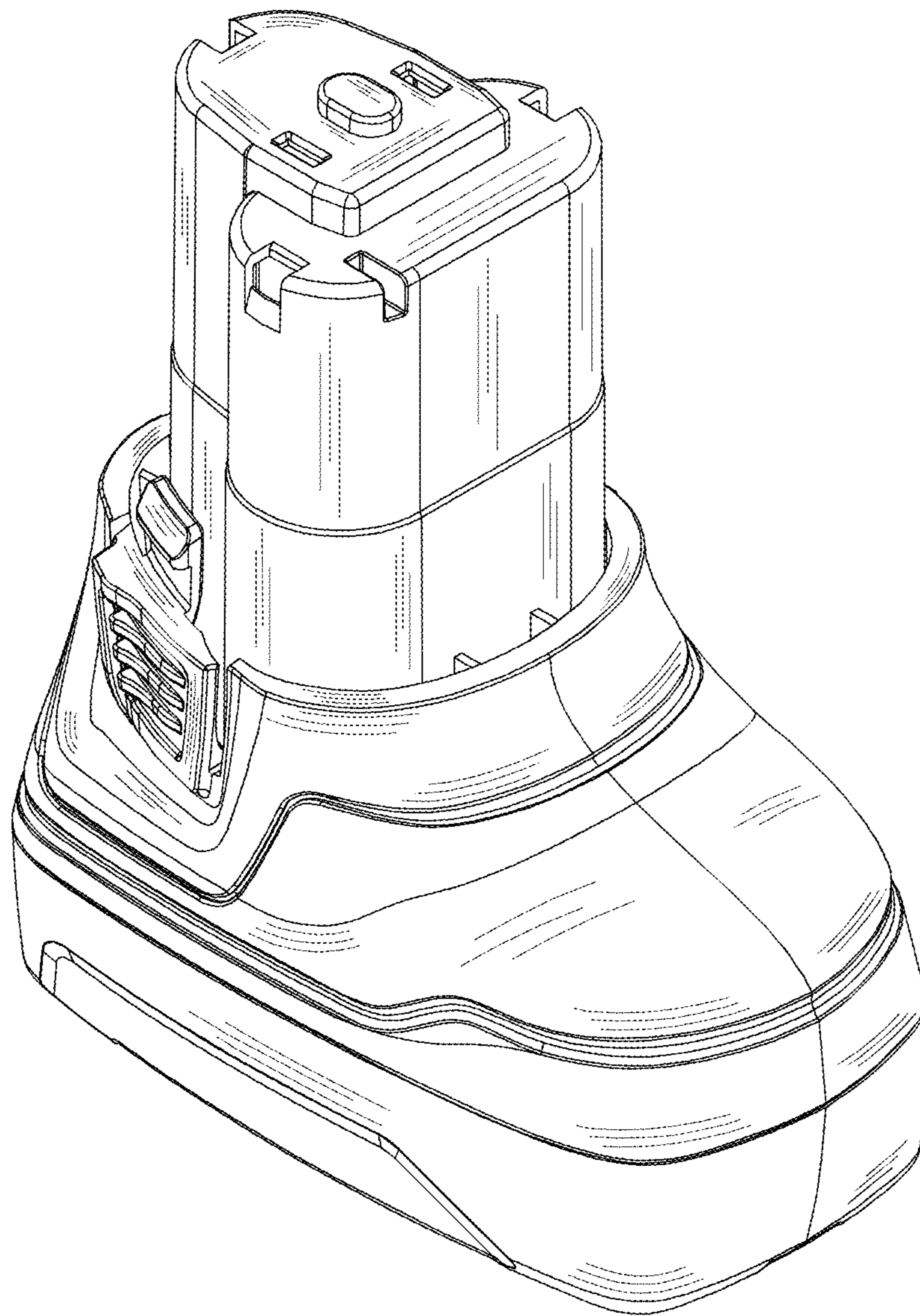


FIG. 1

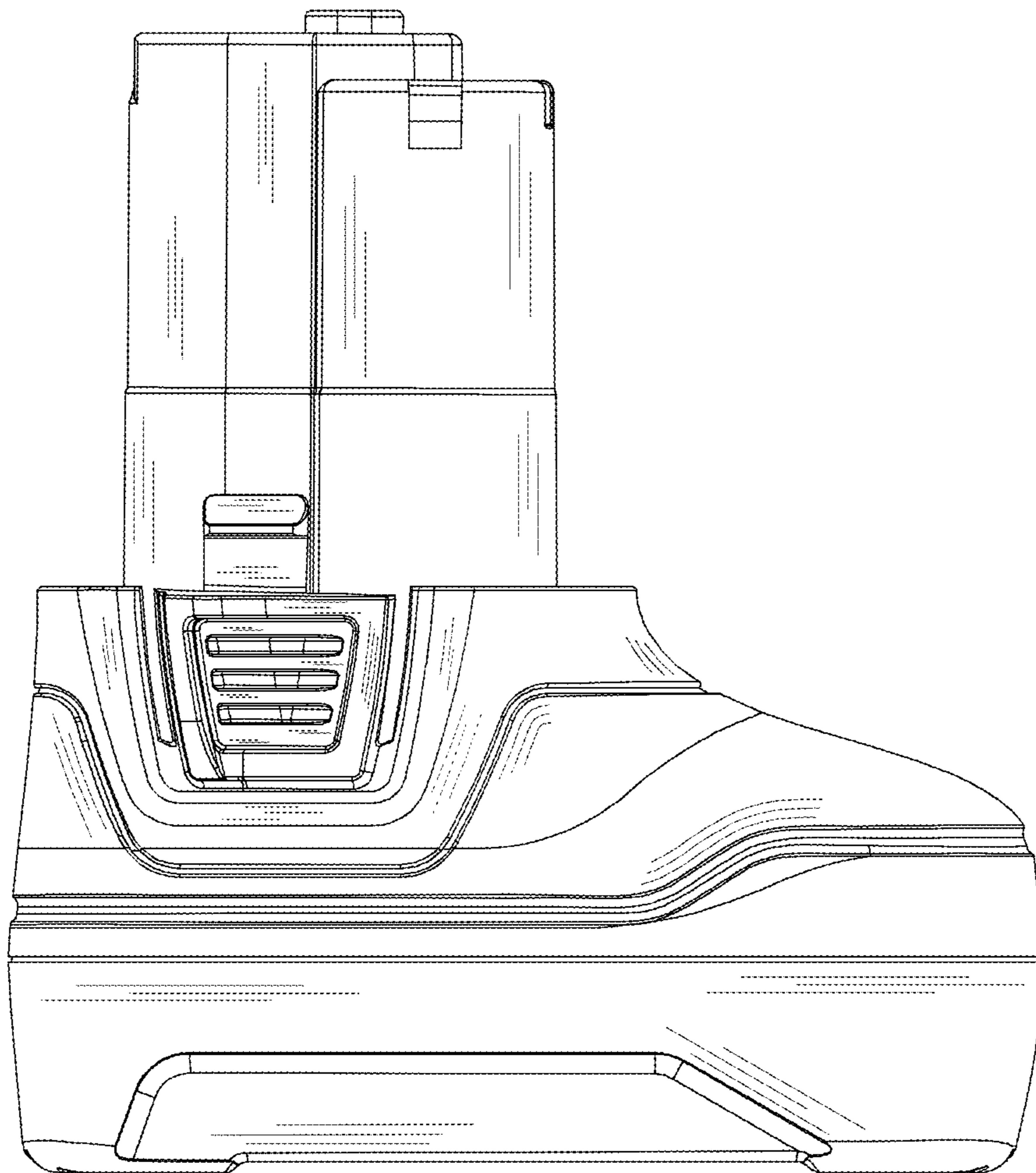


FIG. 2

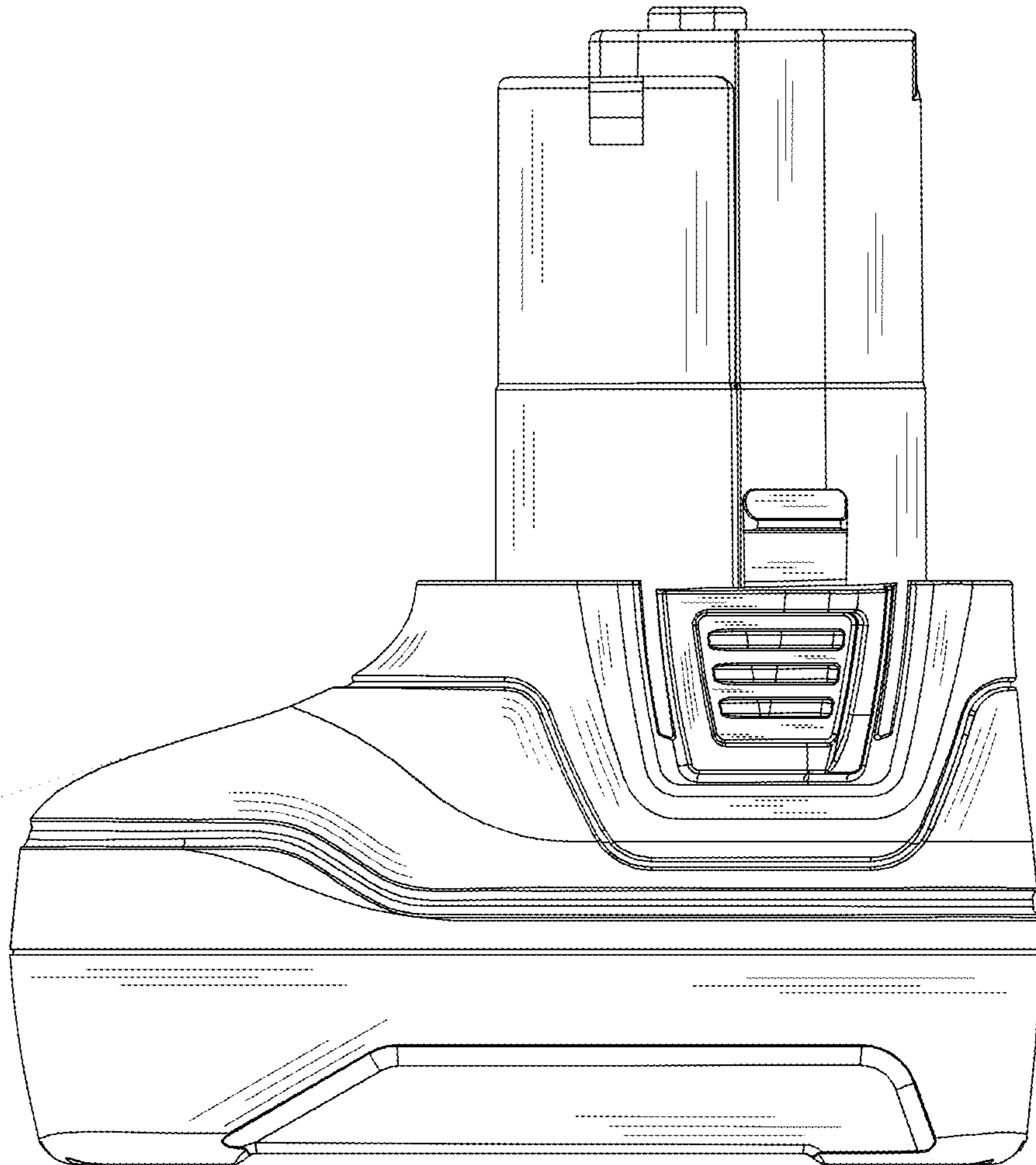


FIG. 3



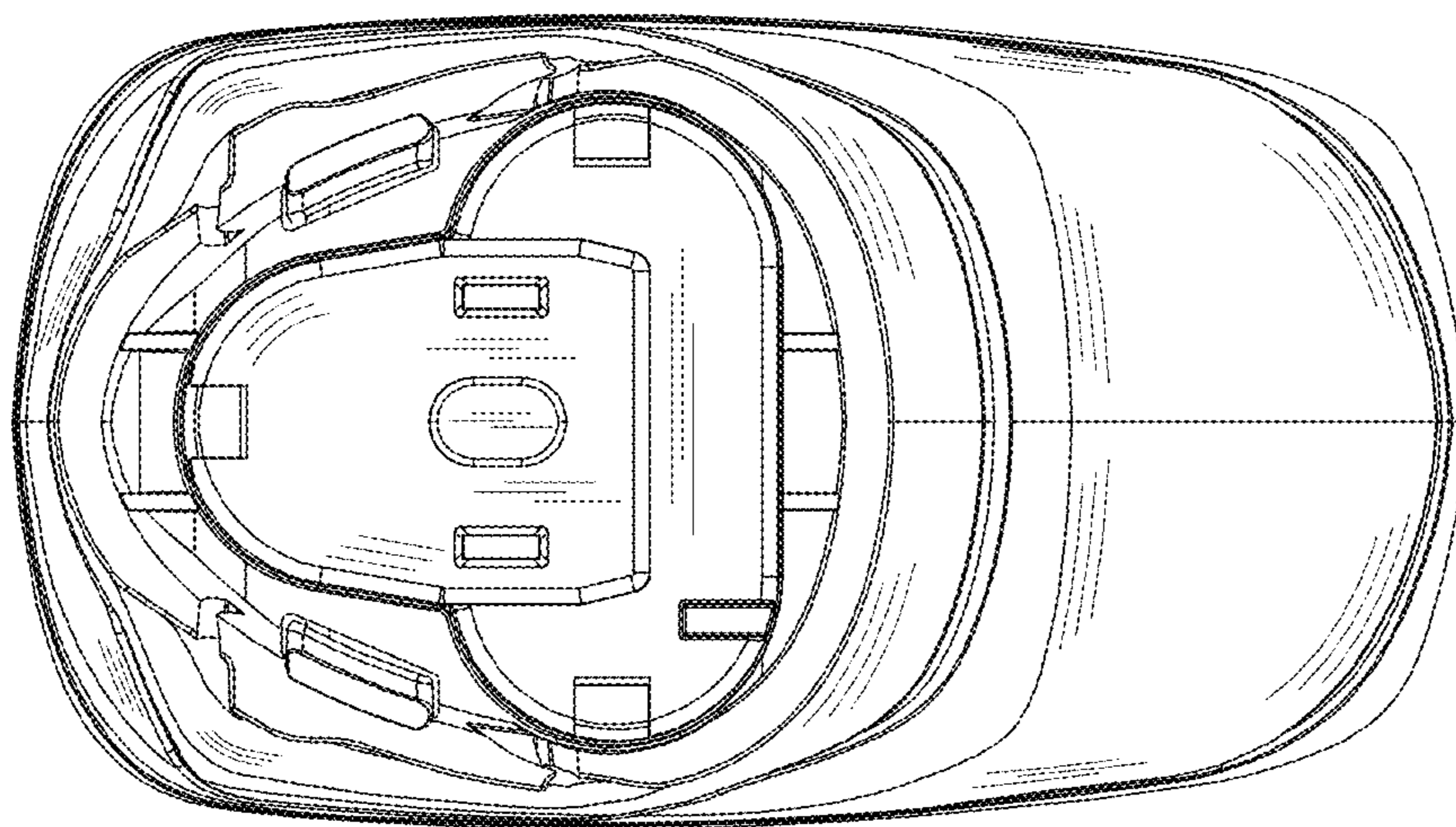


FIG. 4

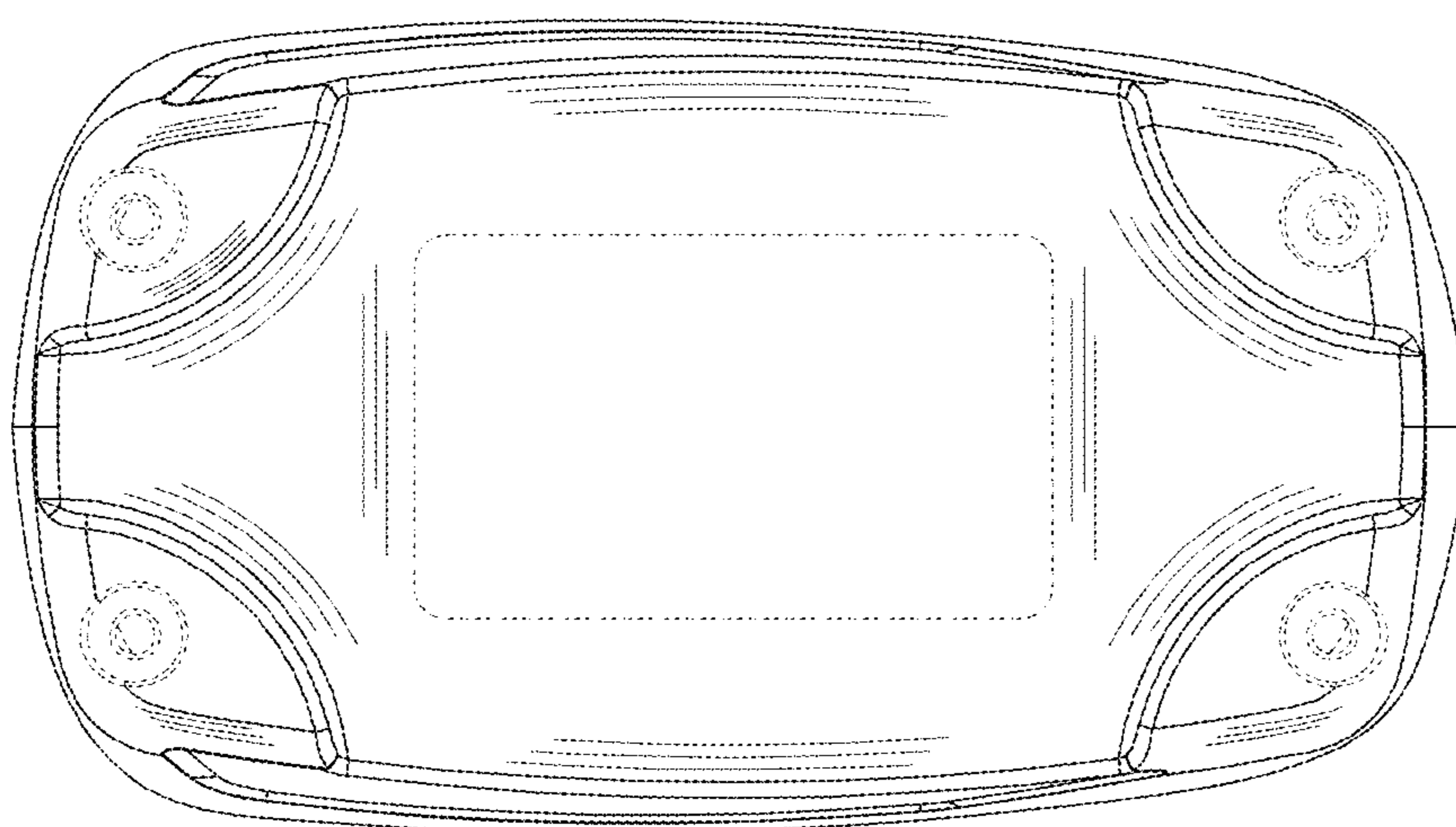


FIG. 5

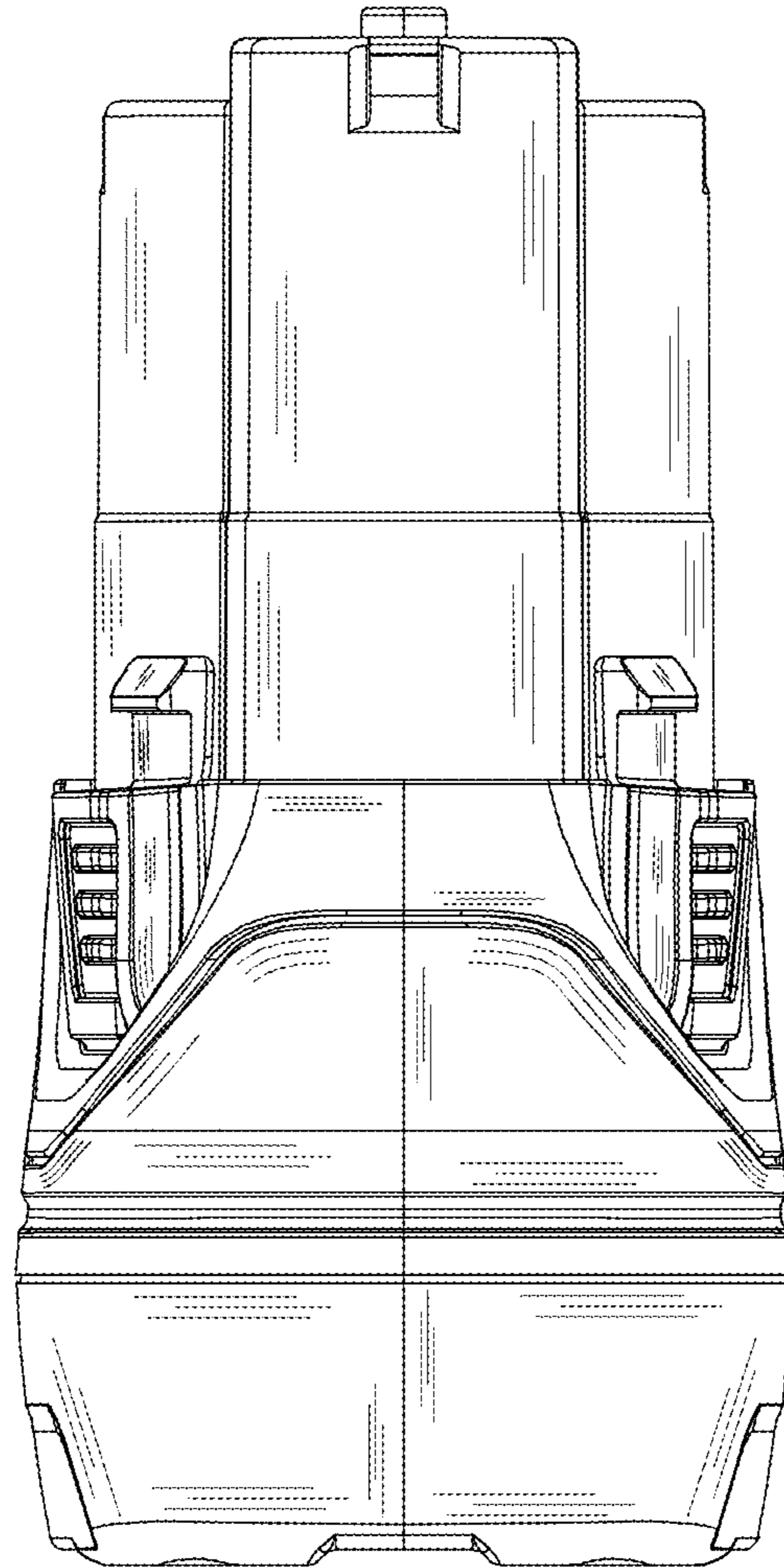


FIG. 6

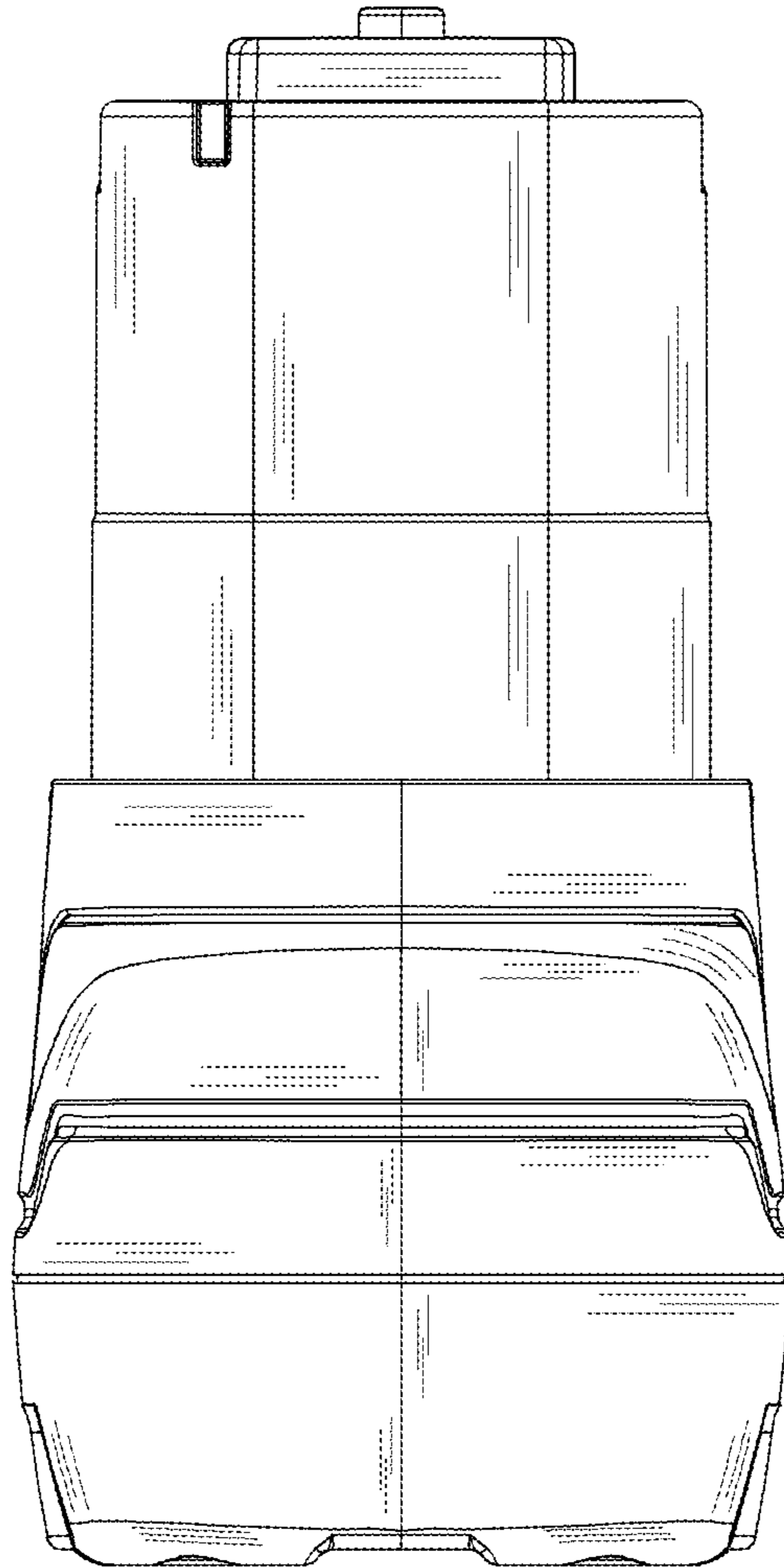


FIG. 7