



US00D817868S

(12) **United States Design Patent** (10) **Patent No.:** **US D817,868 S**  
**Urschel et al.** (45) **Date of Patent:** **\*\* May 15, 2018**

(54) **PORTABLE GROUND POWER UNIT**

(71) Applicant: **Aviation Battery Systems LLC**,  
Chandler, AZ (US)

(72) Inventors: **Scott Urschel**, Chandler, AZ (US);  
**Todd Petersen**, Chandler, AZ (US)

(73) Assignee: **Aviation Battery Systems LLC**,  
Scottsdale, AZ (US)

(\*\*) Term: **15 Years**

(21) Appl. No.: **29/534,480**

(22) Filed: **Jul. 29, 2015**

**Related U.S. Application Data**

(63) Continuation of application No. 13/750,295, filed on  
Jan. 25, 2013, now abandoned.

(51) **LOC (11) Cl.** ..... **13-02**

(52) **U.S. Cl.**  
USPC ..... **D13/103**

(58) **Field of Classification Search**

USPC ..... D13/102-106, 110, 118-119, 184  
CPC ..... H01M 2/02; H01M 2/022; H01M 2/0202;  
H01M 2/0207; H01M 2/0212; H01M  
2/1061; H01M 2/1022; H01M 2/1055;  
H01M 2/1066; H01M 2/105; H01M  
2/204; H01M 2/1016; H01M 2200/00;  
H01M 10/4257; H01M 10/0436; H01M  
10/48; H01M 10/42; Y02E 60/12; Y02E  
60/122; Y02E 60/124; Y02E 60/50

See application file for complete search history.

(56) **References Cited**

**U.S. PATENT DOCUMENTS**

3,950,688 A 4/1976 Sancey et al.  
4,059,123 A 11/1977 Bartos et al.

4,300,087 A 11/1981 Meisner  
D269,088 S \* 5/1983 Genaro ..... D13/184  
5,151,865 A 9/1992 Blessing et al.  
5,764,469 A 6/1998 Slepian et al.  
5,899,411 A 5/1999 Latos et al.  
5,982,138 A 11/1999 Krieger  
6,121,757 A 9/2000 Takahashi et al.  
D432,493 S \* 10/2000 Killebrew ..... D13/103  
6,140,797 A 10/2000 Dunn  
6,160,373 A \* 12/2000 Dunn ..... H02J 7/0054  
320/104  
6,384,573 B1 5/2002 Dunn  
6,469,512 B2 10/2002 Singh et al.  
6,493,217 B1 12/2002 Jenkins, Jr.  
6,498,491 B2 12/2002 Plow et al.  
6,664,762 B2 12/2003 Kutkut

(Continued)

*Primary Examiner* — Rosemary K Tarcza  
*Assistant Examiner* — Nathaniel D. Buckner  
(74) *Attorney, Agent, or Firm* — IPTechLaw

(57) **CLAIM**

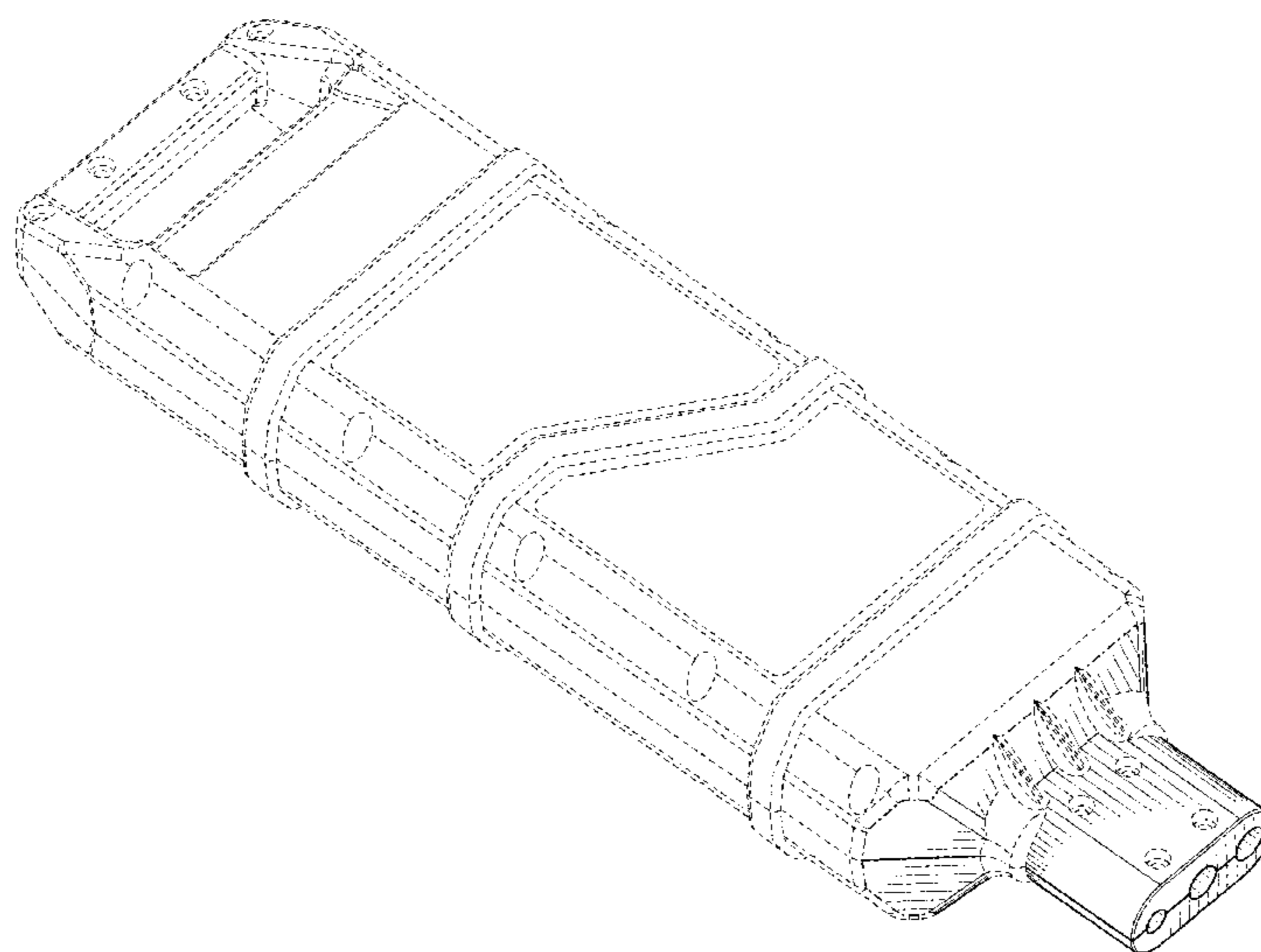
The ornamental design for a portable ground power unit, as shown and described.

**DESCRIPTION**

FIG. 1 is a top perspective view of a portable ground power unit;  
FIG. 2 is a front elevation view of the FIG. 1 system;  
FIG. 3 is a right side elevation view of the FIG. 1 system;  
FIG. 4 is a left side elevation view of the FIG. 1 system; and,  
FIG. 5 is a top plane view of the FIG. 1 system.

The regularly spaced broken lines shown in the drawings are included for the purpose of illustrating portions of the article that form no part of the claimed design. The dash dot dash broken lines define the bounds of the claimed design and form no part thereof. A bottom view of the portable ground power unit is not shown because there are no ornamental features found on such a view.

**1 Claim, 3 Drawing Sheets**



(56)

**References Cited**

## U.S. PATENT DOCUMENTS

6,741,065	B1	5/2004	Ishii et al.	
D521,446	S *	5/2006	Liu .....	D13/103
7,161,253	B2	1/2007	Sodemann et al.	
D537,819	S *	3/2007	Zhao .....	D14/480.1
7,928,735	B2	4/2011	Huang et al.	
7,989,980	B2	8/2011	Blackman	
D650,737	S *	12/2011	Hamilton .....	D13/103
D675,630	S *	2/2013	Ni .....	D14/480.1
8,446,127	B2	5/2013	Yazami et al.	
8,545,256	B2	10/2013	Huffman et al.	
D694,176	S *	11/2013	Buetow .....	D13/103
D695,219	S *	12/2013	Dasbach .....	D13/110
8,638,011	B2	1/2014	Robinson et al.	
8,860,250	B2	10/2014	Salcone	
D721,035	S *	1/2015	Dasbach .....	D13/110
8,935,011	B2	1/2015	Tischer	
D722,021	S *	2/2015	Dasbach .....	D13/110
D724,013	S *	3/2015	Zsolcsak .....	D13/103
D786,264	S *	5/2017	Lin .....	D14/480.1
2003/0090239	A1	5/2003	Sakakibara	
2007/0063675	A1	3/2007	Walline et al.	
2007/0080586	A1	4/2007	Busick	
2007/0252559	A1	11/2007	Uhl	
2008/0071483	A1	3/2008	Eaves	
2008/0211452	A1	9/2008	Blackman	
2012/0321936	A1	12/2012	Song	
2013/0009469	A1	1/2013	Gillett	

\* cited by examiner

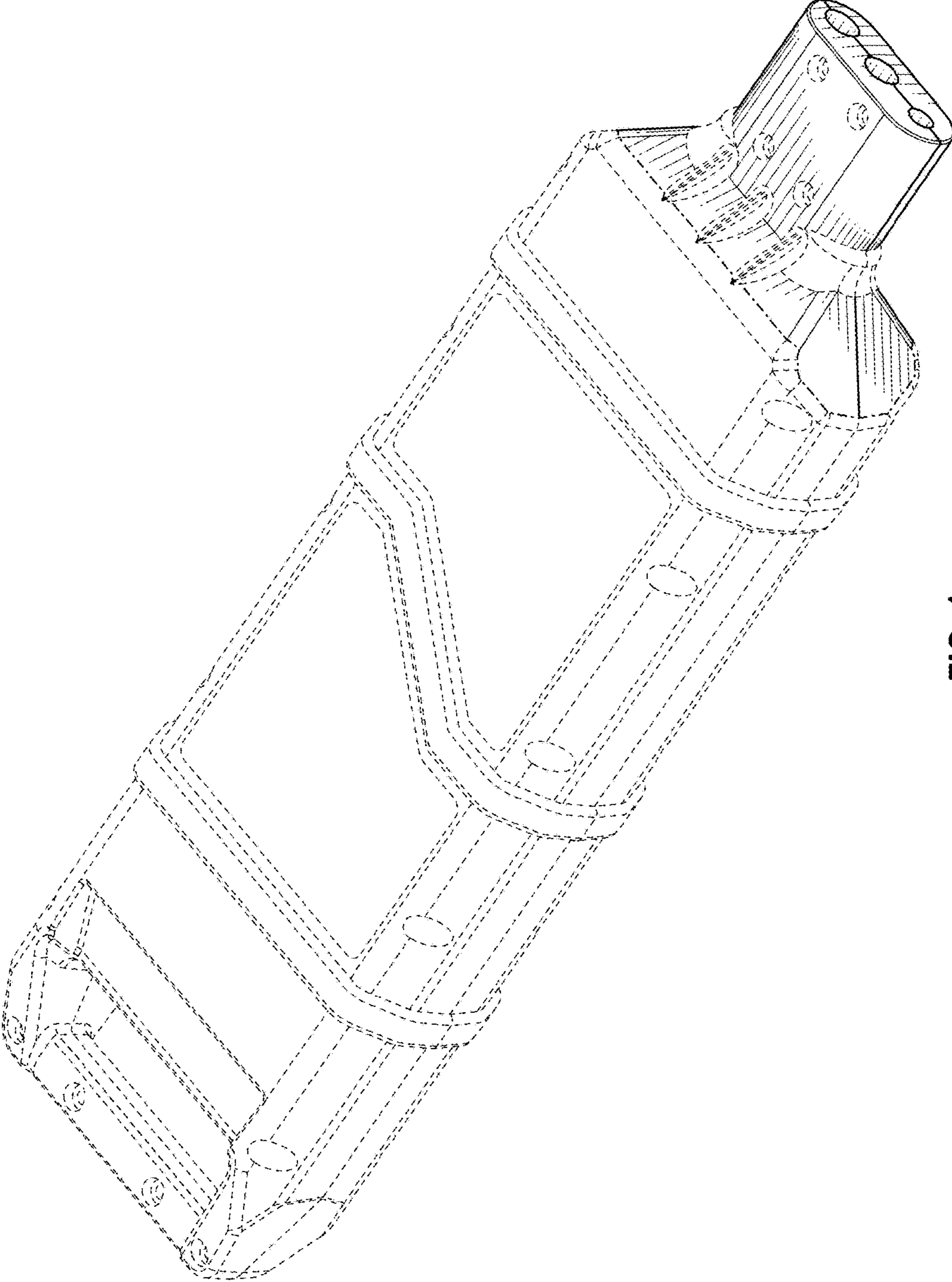


FIG. 1

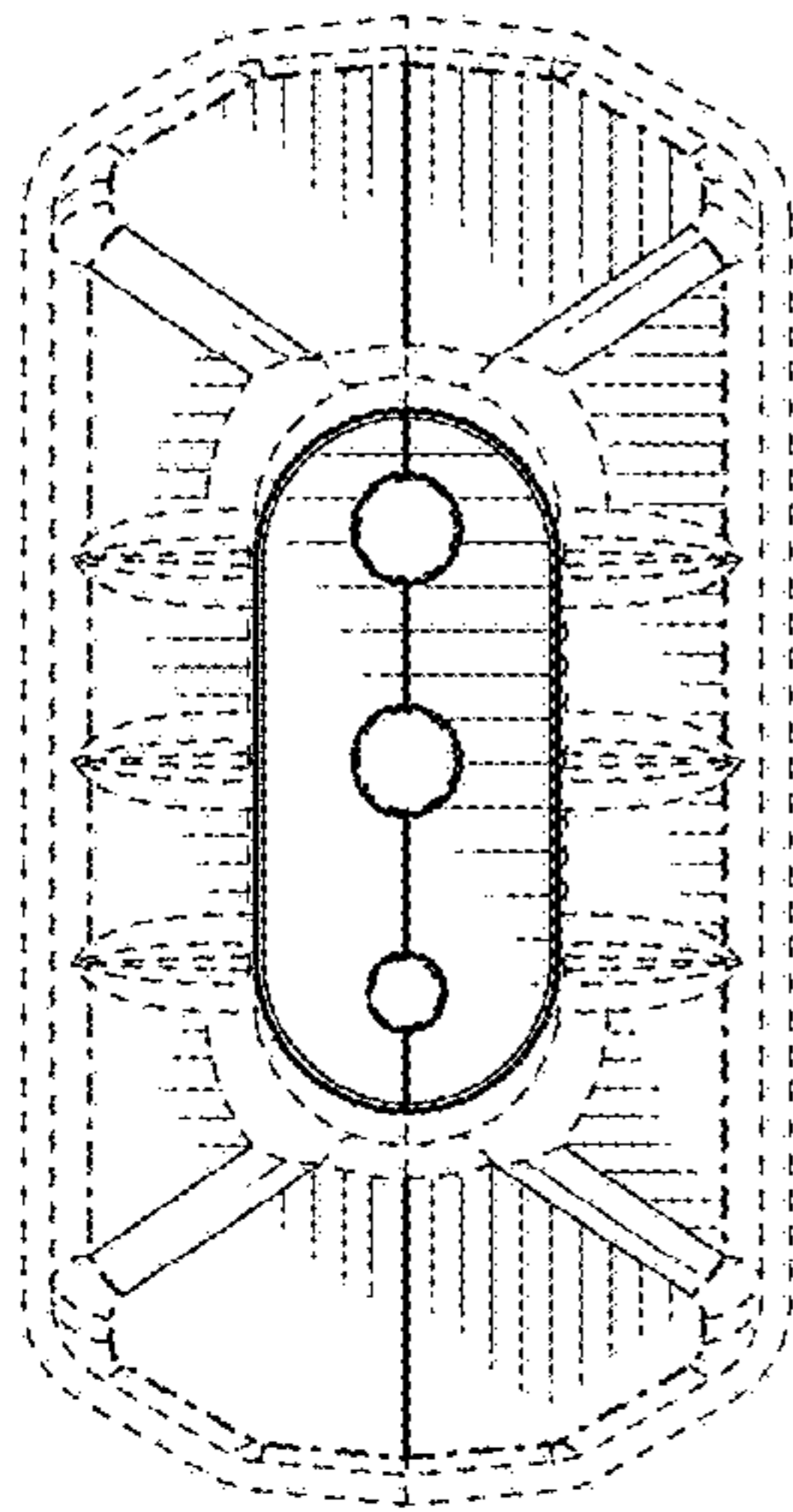


FIG. 2

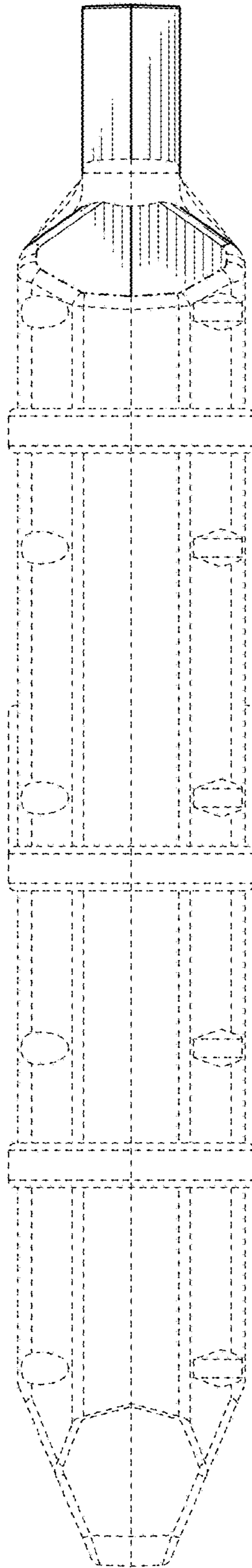


FIG. 3

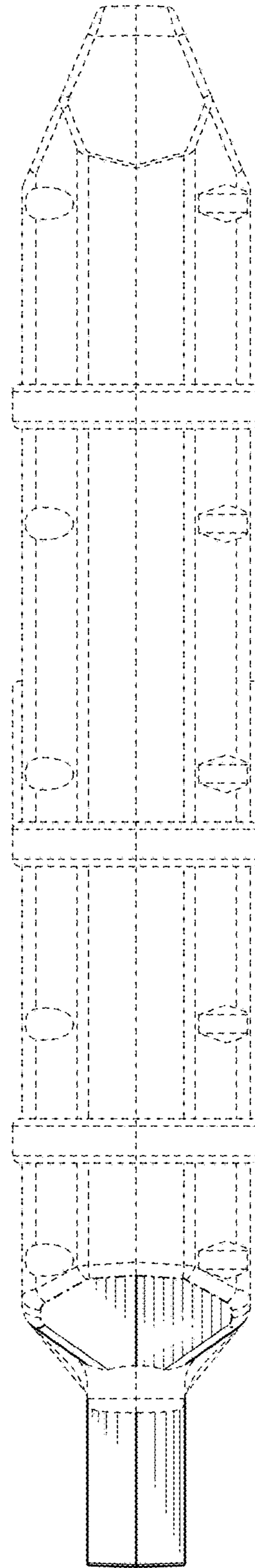


FIG. 4

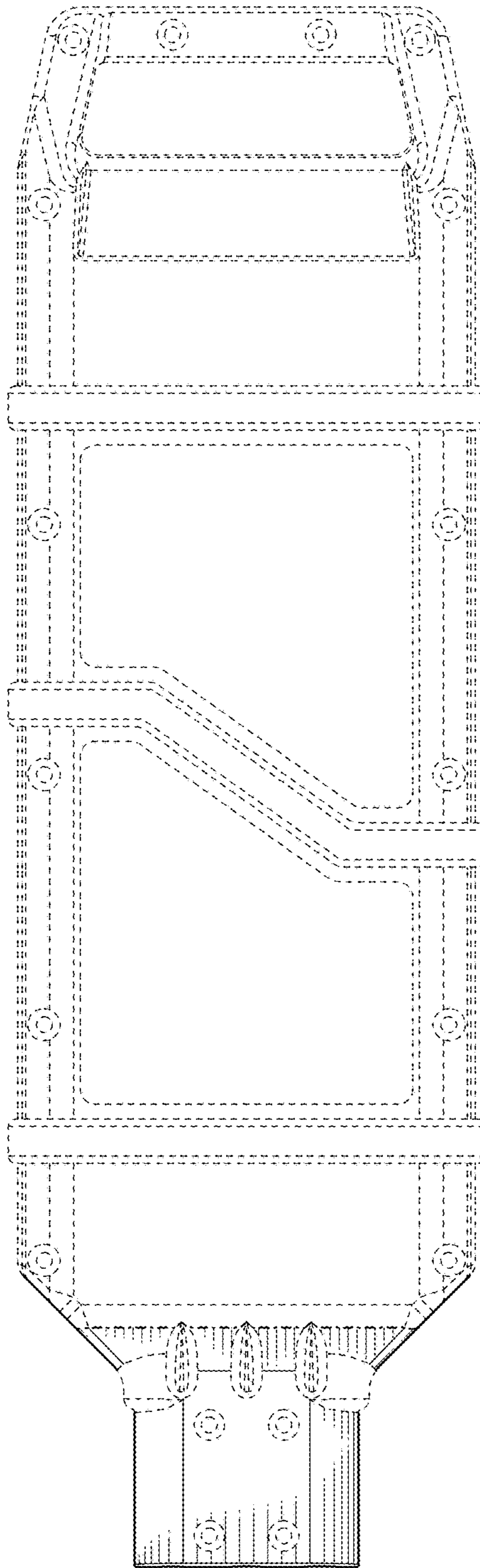


FIG. 5