



US00D817866S

(12) **United States Design Patent**  
**Liu**

(10) **Patent No.:** **US D817,866 S**

(45) **Date of Patent:** **\*\* May 15, 2018**

(54) **SOLAR POWER BANK**

H02S 20/23; H02S 20/30; H02S 40/34;  
H02S 40/44; F24J 2/52

(71) Applicant: **Shusheng Liu**, Guangdong (CN)

See application file for complete search history.

(72) Inventor: **Shusheng Liu**, Guangdong (CN)

(56) **References Cited**

(73) Assignee: **SHENZHEN LDTEK TECHNOLOGY CO., LTD.**,  
Longgang District, Shenzhen (CN)

U.S. PATENT DOCUMENTS

(\*\*) Term: **15 Years**

D467,225 S *	12/2002	Sudo .....	D13/102
D479,191 S *	9/2003	Peress .....	D13/102
D642,515 S *	8/2011	Crawford .....	D13/102
D670,645 S *	11/2012	Qian .....	D13/102
D776,050 S *	1/2017	Awad .....	D13/102

(21) Appl. No.: **29/605,624**

\* cited by examiner

(22) Filed: **May 26, 2017**

*Primary Examiner* — Daniel Bui

(51) **LOC (11) Cl.** ..... **13-03**

(57) **CLAIM**

(52) **U.S. Cl.**  
USPC ..... **D13/102; D13/108**

The ornamental design for a solar power bank, as shown and described.

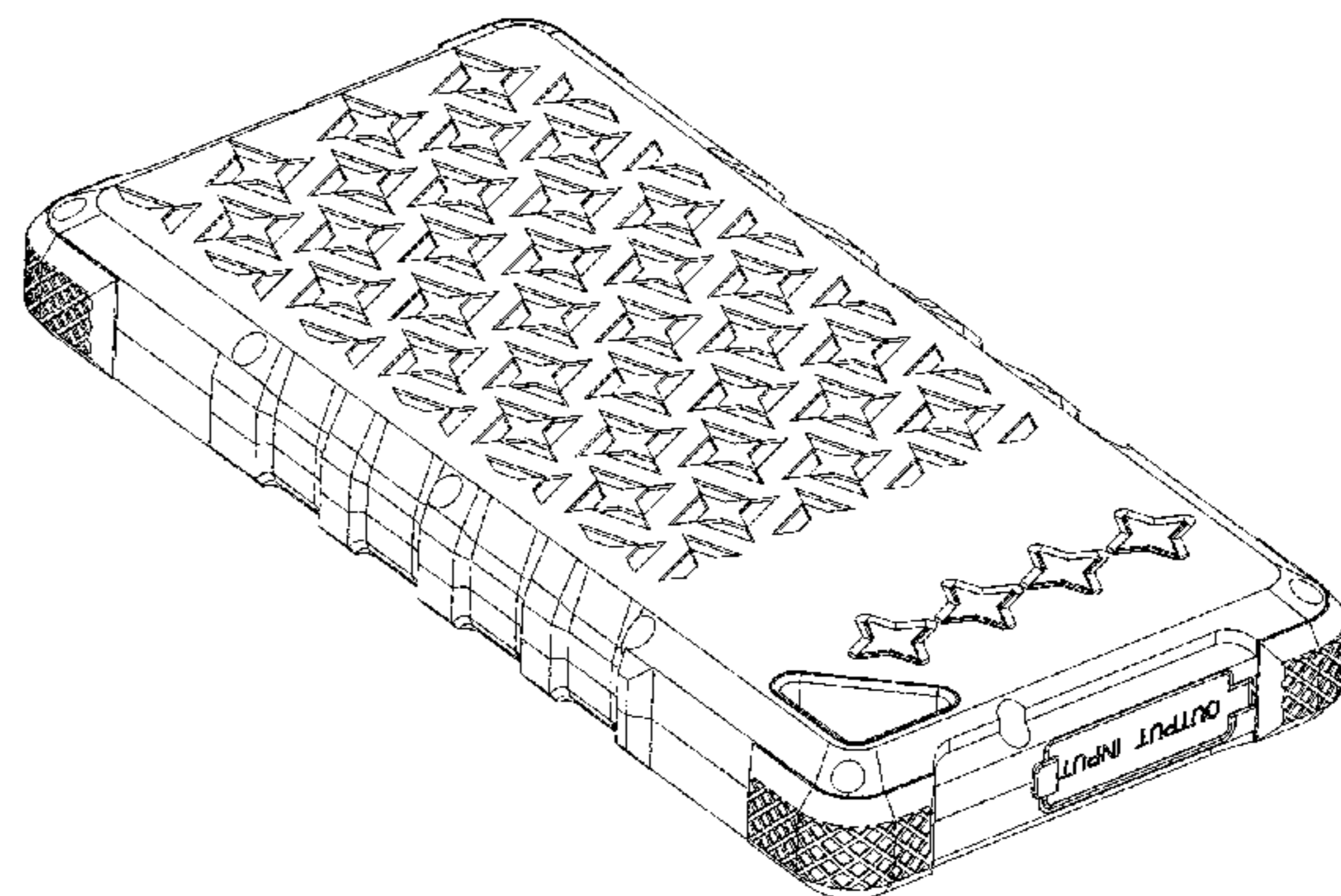
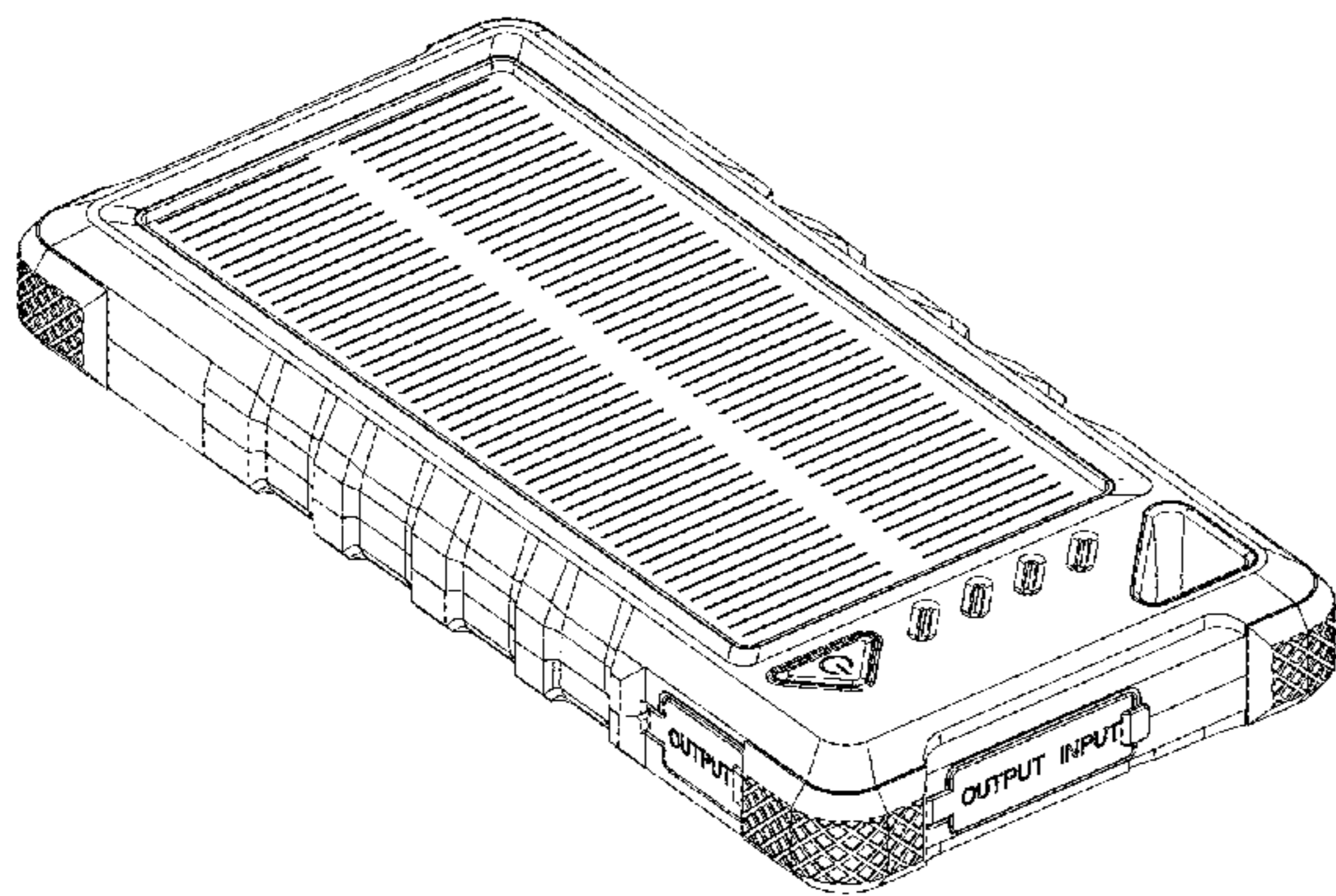
(58) **Field of Classification Search**  
USPC ..... D13/101, 102, 103, 104, 105, 106, 107,  
D13/108, 109, 110, 118, 119; D14/432,  
D14/433

**DESCRIPTION**

CPC ..... H02M 5/00; H02M 5/02; H02M 5/04;  
H02M 5/32; H02M 5/38; H02M 5/40;  
H02M 5/42; H02M 5/46; H02M 5/48;  
H02M 7/00; H02M 7/02; H02M 7/30;  
H02M 7/42; H02M 7/44; H02M 7/54;  
H02M 7/68; H02M 7/86; H01L 31/00;  
H01L 31/02; H01L 31/042; H01L 31/045;  
H01L 31/046; H01L 31/048; H01L 31/05;  
H01L 31/052; H02S 30/00; H02S 20/10;

FIG. 1 is a front elevational view of a solar power bank showing my new design;  
FIG. 2 is a rear elevational view thereof;  
FIG. 3 is a left side elevational view thereof;  
FIG. 4 is a right side elevational view thereof;  
FIG. 5 is a top plan view thereof;  
FIG. 6 is a bottom plan view thereof;  
FIG. 7 is a perspective view thereof; and,  
FIG. 8 is another perspective view thereof.

**1 Claim, 8 Drawing Sheets**



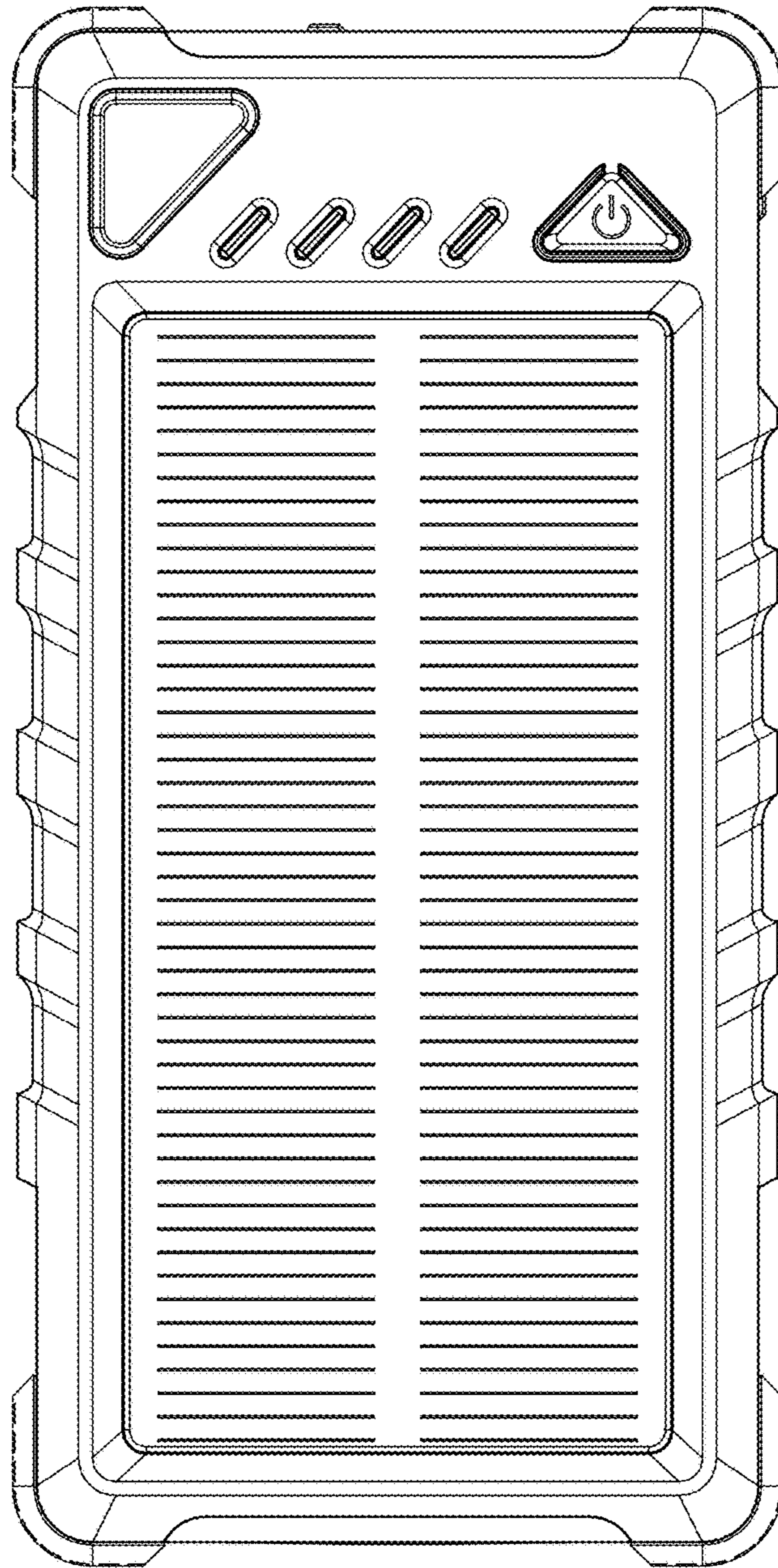


FIG.1

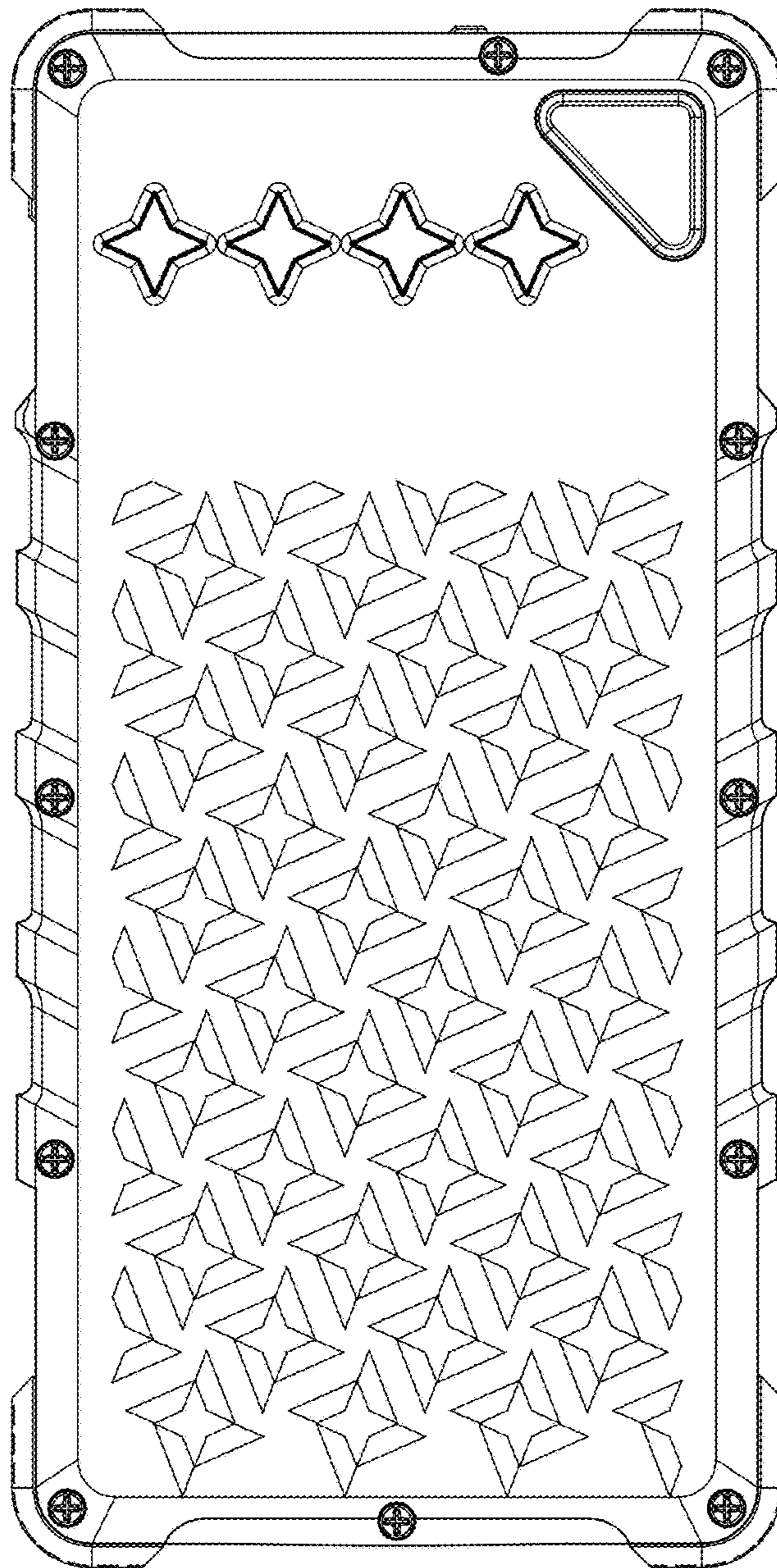


FIG.2



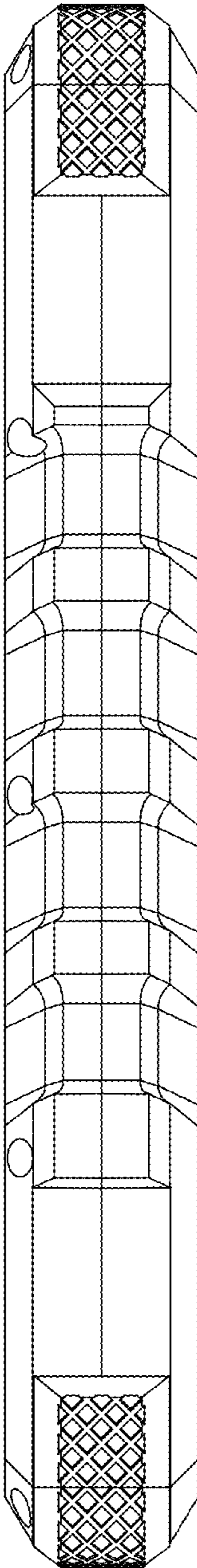


FIG.3

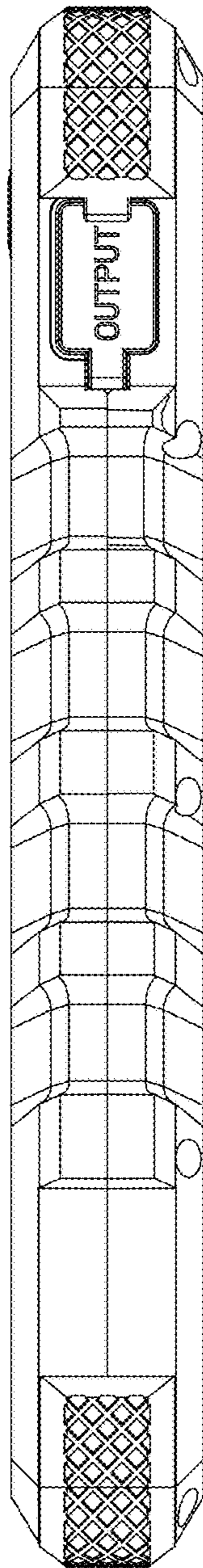


FIG.4

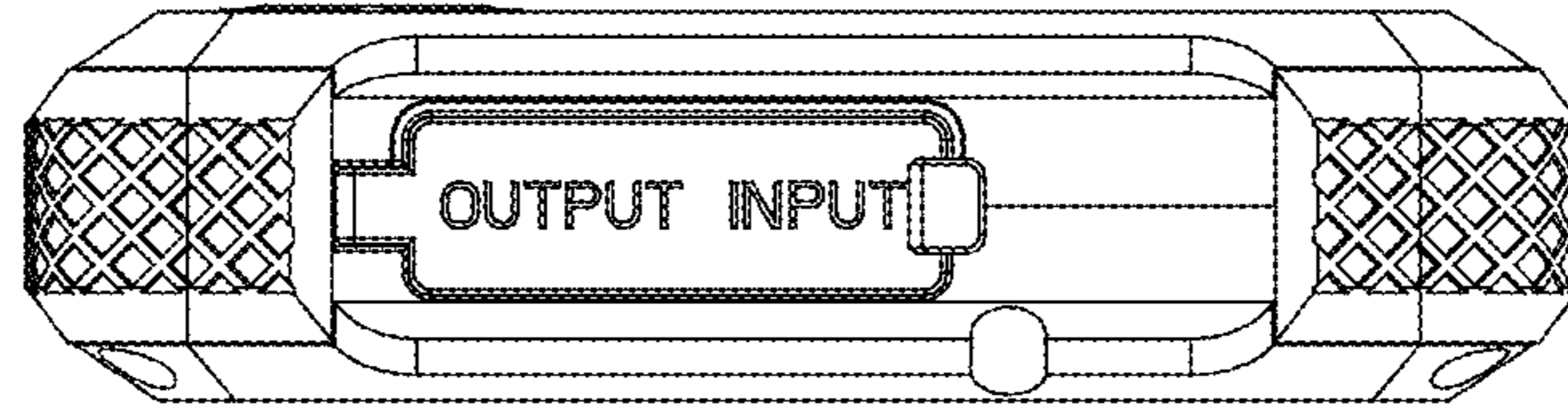


FIG.5

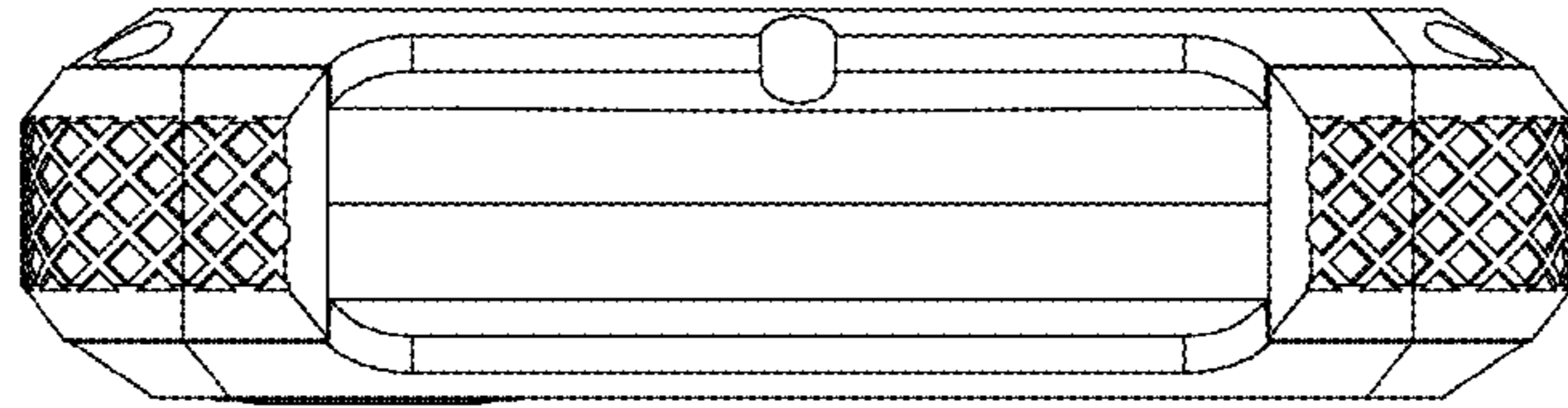


FIG.6

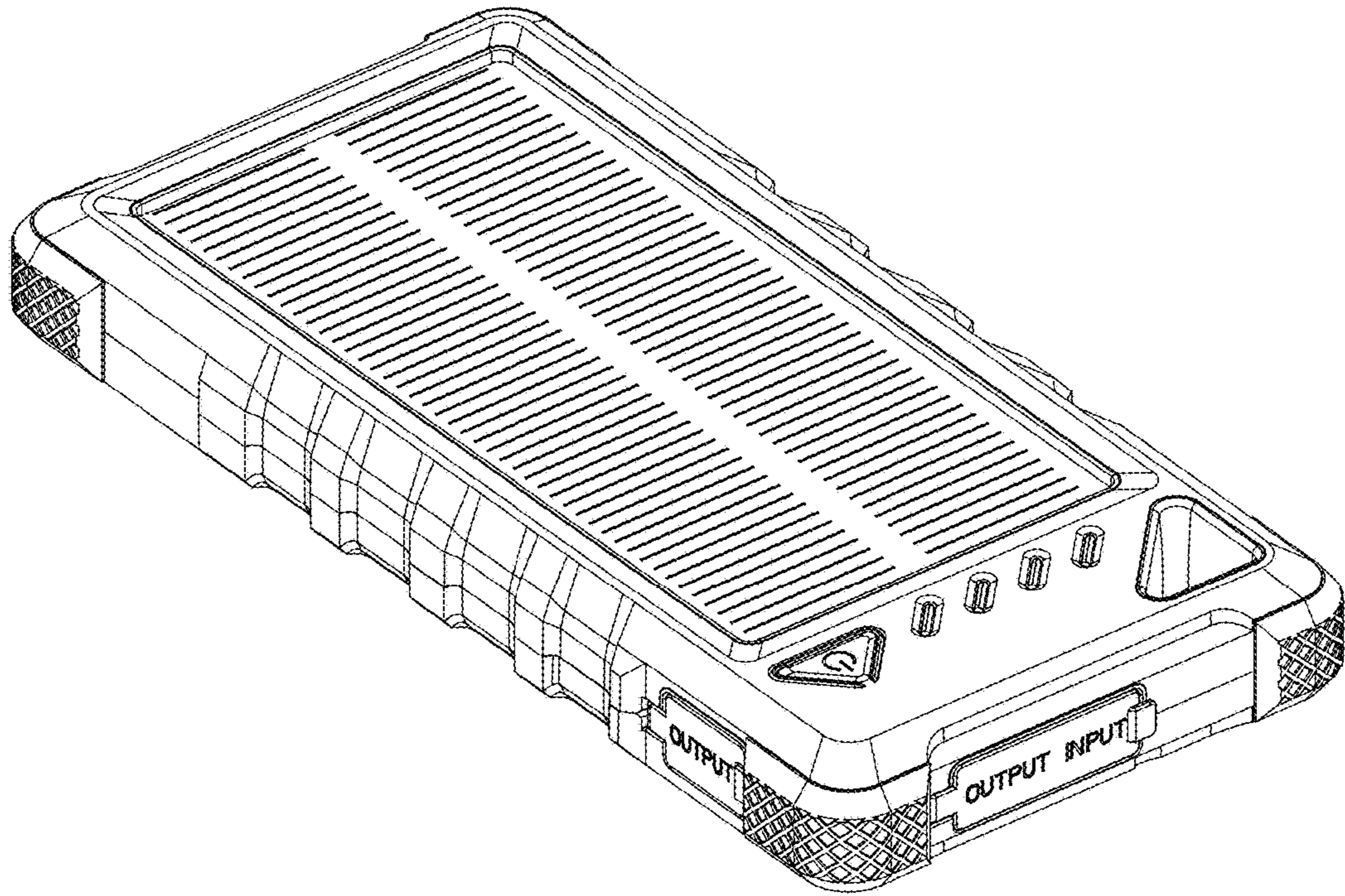


FIG.7



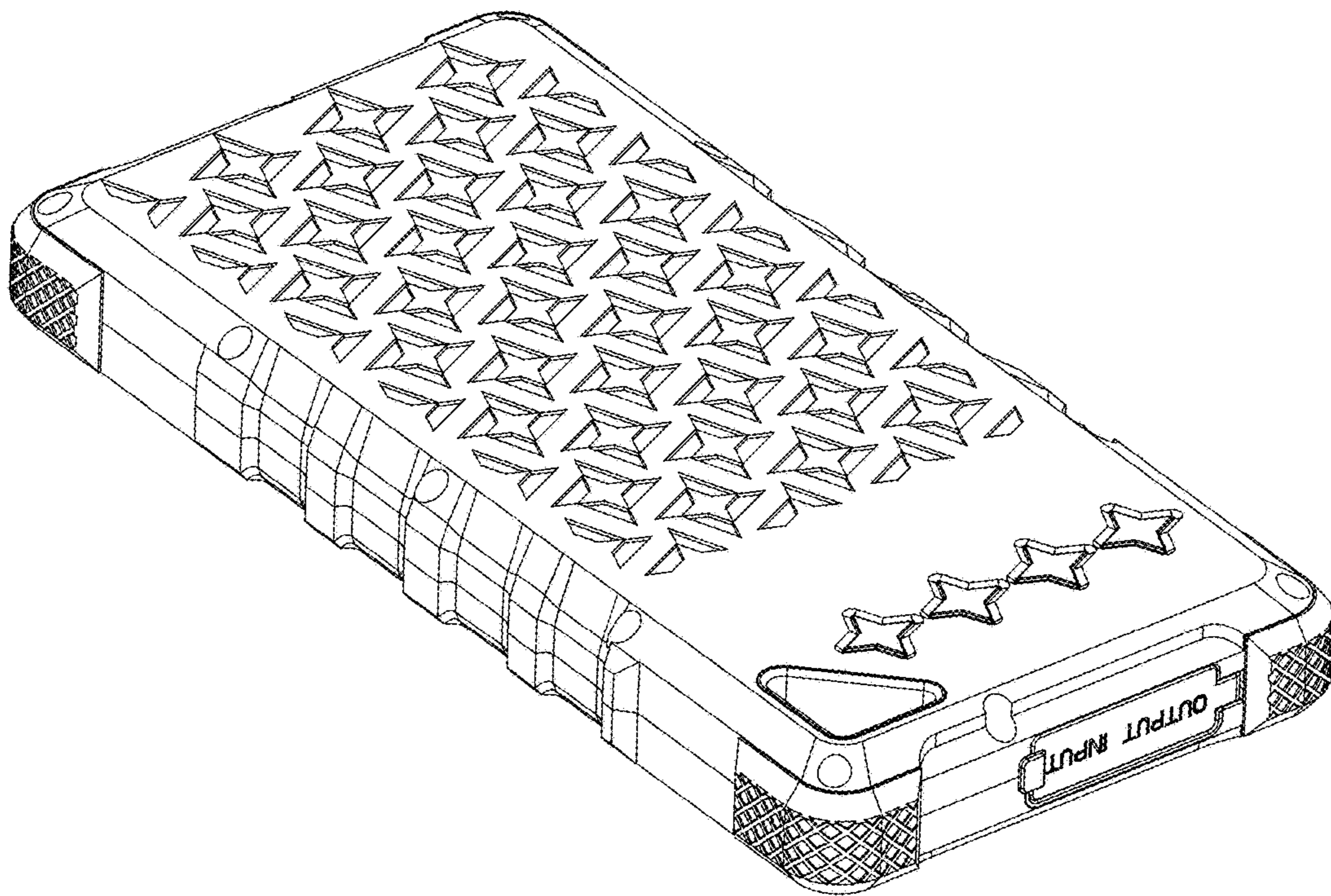


FIG.8