



US00D817863S

(12) **United States Design Patent**  
**Cameron**

(10) **Patent No.:** **US D817,863 S**  
(45) **Date of Patent:** **\*\* May 15, 2018**

(54) **SOLAR PANEL ARRANGEMENT**

(71) Applicant: **James Francis Cameron**, Encino, CA  
(US)

(72) Inventor: **James Francis Cameron**, Encino, CA  
(US)

(\*\*) Term: **15 Years**

(21) Appl. No.: **29/547,819**

(22) Filed: **Dec. 8, 2015**

**Related U.S. Application Data**

(63) Continuation-in-part of application No. 29/527,016,  
filed on May 14, 2015, now Pat. No. Des. 783,522.

(51) **LOC (11) Cl.** ..... **13-02**

(52) **U.S. Cl.**  
USPC ..... **D13/102**

(58) **Field of Classification Search**  
USPC ..... D13/102, 101, 103, 118, 119, 184, 199;  
126/561, 667; 136/206, 244, 251, 291,  
136/292; 438/597

(Continued)

(56) **References Cited**

**U.S. PATENT DOCUMENTS**

5,059,296 A \* 10/1991 Sherman ..... C02F 1/4602  
204/229.8

D600,200 S 9/2009 Dimov et al.  
(Continued)

*Primary Examiner* — Derrick Holland

*Assistant Examiner* — Jennifer O King

(74) *Attorney, Agent, or Firm* — Kevin Schrave; Anooj  
Patel; Hankin Patent Law, APC

(57) **CLAIM**

The ornamental design for a solar panel arrangement, as  
shown and described.

**DESCRIPTION**

FIG. 1 is a top perspective view of a first embodiment of the  
solar panel arrangement, showing my new design.

FIG. 2 is a bottom perspective view thereof.

FIG. 3 is a front elevational view thereof.

FIG. 4 is a side elevational view thereof.

FIG. 5 is a rear elevational view thereof.

FIG. 6 is a top plan view thereof.

FIG. 7 is a bottom plan view thereof.

FIG. 8 is a top perspective view of a second embodiment of  
the solar panel arrangement, showing my new design.

FIG. 9 is a bottom perspective view thereof.

FIG. 10 is a front elevational view thereof.

FIG. 11 is a side elevational view thereof.

FIG. 12 is a rear elevational view thereof.

FIG. 13 is a top plan view thereof.

FIG. 14 is a bottom plan view thereof.

FIG. 15 is a top perspective view of a third embodiment of  
the solar panel arrangement, showing my new design.

FIG. 16 is a bottom perspective view thereof.

FIG. 17 is a front elevational view thereof.

FIG. 18 is a side elevational view thereof.

FIG. 19 is a rear elevational view thereof.

FIG. 20 is a top plan view thereof.

FIG. 21 is a bottom plan view thereof.

FIG. 22 is a top perspective view of a fourth embodiment of  
the solar panel arrangement, showing my new design.

FIG. 23 is a bottom perspective view thereof.

FIG. 24 is a front elevational view thereof.

FIG. 25 is a side elevational view thereof.

FIG. 26 is a rear elevational view thereof.

FIG. 27 is a top plan view thereof.

FIG. 28 is a bottom plan view thereof.

FIG. 29 is a top perspective view of a fifth embodiment of  
the solar panel arrangement, showing my new design.

FIG. 30 is a bottom perspective view thereof.

FIG. 31 is a front elevational view thereof.

FIG. 32 is a side elevational view thereof.

FIG. 33 is a rear elevational view thereof.

FIG. 34 is a top plan view thereof.

FIG. 35 is a bottom plan view thereof.

FIG. 36 is a top perspective view of a sixth embodiment of  
the solar panel arrangement, showing my new design.

FIG. 37 is a bottom perspective view thereof.

FIG. 38 is a front elevational view thereof.

FIG. 39 is a side elevational view thereof.

(Continued)

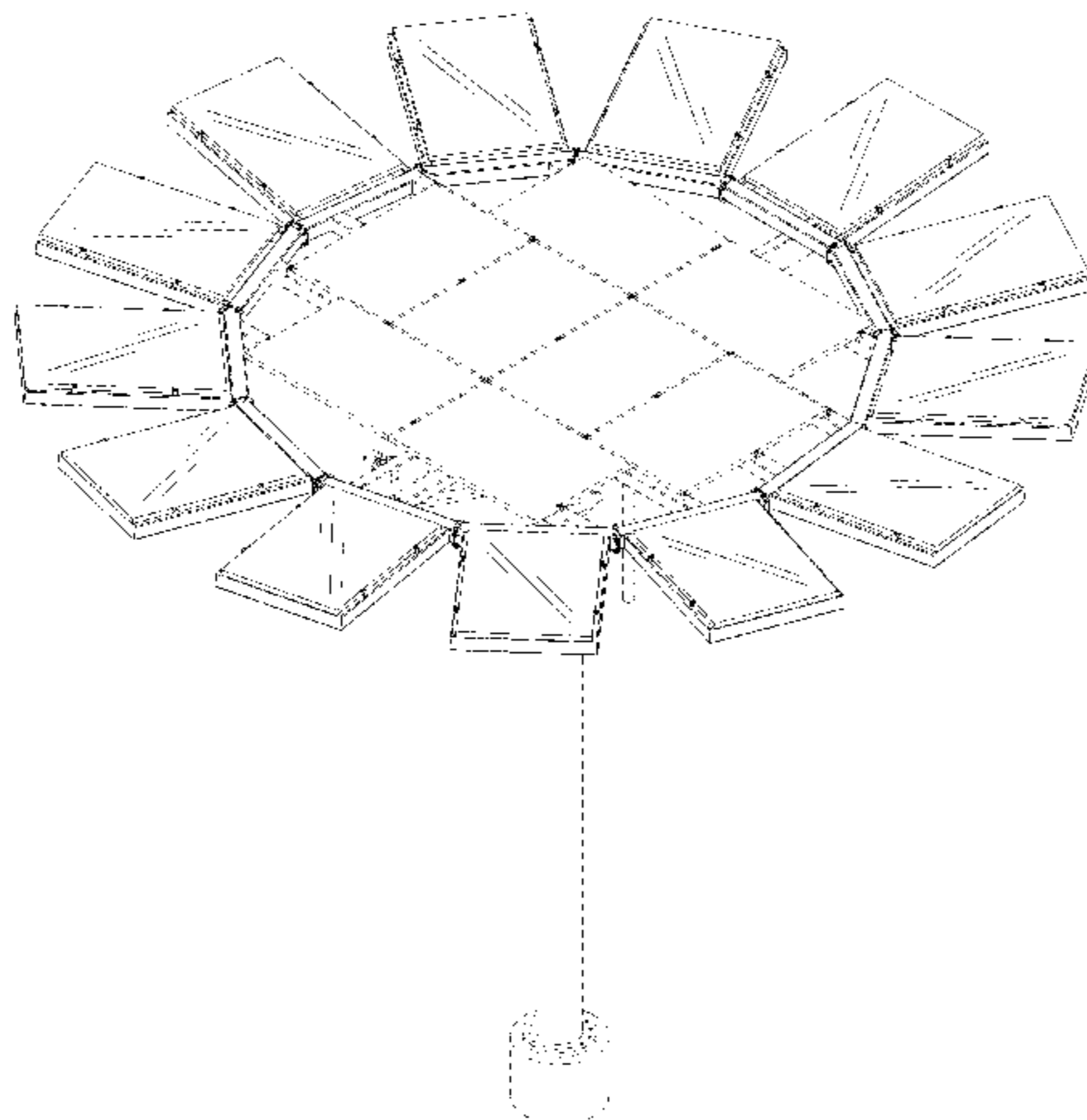


FIG. 40 is a rear elevational view thereof.  
 FIG. 41 is a top plan view thereof.  
 FIG. 42 is a bottom plan view thereof.  
 FIG. 43 is a top perspective view of a seventh embodiment of the solar panel arrangement, showing my new design.  
 FIG. 44 is a bottom perspective view thereof.  
 FIG. 45 is a front elevational view thereof.  
 FIG. 46 is a side elevational view thereof.  
 FIG. 47 is a rear elevational view thereof.  
 FIG. 48 is a top plan view thereof.  
 FIG. 49 is a bottom plan view thereof.  
 FIG. 50 is a top perspective view of an eighth embodiment of the solar panel arrangement, showing my new design.  
 FIG. 51 is a bottom perspective view thereof.  
 FIG. 52 is a front elevational view thereof.  
 FIG. 53 is a side elevational view thereof.  
 FIG. 54 is a rear elevational view thereof.  
 FIG. 55 is a top plan view thereof.  
 FIG. 56 is a bottom plan view thereof.  
 FIG. 57 is a top perspective view of a ninth embodiment of the solar panel arrangement, showing my new design.  
 FIG. 58 is a bottom perspective view thereof.  
 FIG. 59 is a front elevational view thereof.  
 FIG. 60 is a side elevational view thereof.  
 FIG. 61 is a rear elevational view thereof.  
 FIG. 62 is a top plan view thereof.  
 FIG. 63 is a bottom plan view thereof.  
 FIG. 64 is a top perspective view of a tenth embodiment of the solar panel arrangement, showing my new design.  
 FIG. 65 is a bottom perspective view thereof.  
 FIG. 66 is a front elevational view thereof.  
 FIG. 67 is a side elevational view thereof.  
 FIG. 68 is a rear elevational view thereof.  
 FIG. 69 is a top plan view thereof.  
 FIG. 70 is a bottom plan view thereof.  
 FIG. 71 is a top perspective view of an eleventh embodiment of the solar panel arrangement, showing my new design.  
 FIG. 72 is a bottom perspective view thereof.  
 FIG. 73 is a front elevational view thereof.

FIG. 74 is a side elevational view thereof.  
 FIG. 75 is a rear elevational view thereof.  
 FIG. 76 is a top plan view thereof.  
 FIG. 77 is a bottom plan view thereof.  
 FIG. 78 is a top perspective view of a twelfth embodiment of the solar panel arrangement, showing my new design.  
 FIG. 79 is a bottom perspective view thereof.  
 FIG. 80 is a front elevational view thereof.  
 FIG. 81 is a side elevational view thereof.  
 FIG. 82 is a rear elevational view thereof.  
 FIG. 83 is a top plan view thereof; and,  
 FIG. 84 is a bottom plan view thereof.  
 The broken lines shown represent environmental structure and form no part of the claimed design.

**1 Claim, 84 Drawing Sheets**

(58) **Field of Classification Search**

CPC ..... Y02E 10/47; Y02E 10/50; Y02E 10/52;  
 H02S 20/00; F24J 2/5237; H01L 31/00;  
 H01L 31/02002; H01L 31/02008; H01L  
 31/042

See application file for complete search history.

(56) **References Cited**

U.S. PATENT DOCUMENTS

D701,828	S *	4/2014	Garrett-Schesch .....	D13/102
D724,524	S *	3/2015	Garrett-Schesch .....	D13/102
D728,466	S *	5/2015	Ehram .....	D13/102
D755,120	S *	5/2016	Pauschitz .....	D13/102
D758,062	S *	6/2016	Akin .....	D13/102
D758,298	S *	6/2016	Akin .....	D13/102
D783,522	S *	4/2017	Cameron .....	D13/102
D797,657	S *	9/2017	Lakamp .....	D13/102
2011/0133689	A1 *	6/2011	Uchihashi .....	H02J 7/00 320/101
2012/0025750	A1 *	2/2012	Margo .....	H01M 10/465 320/101

\* cited by examiner



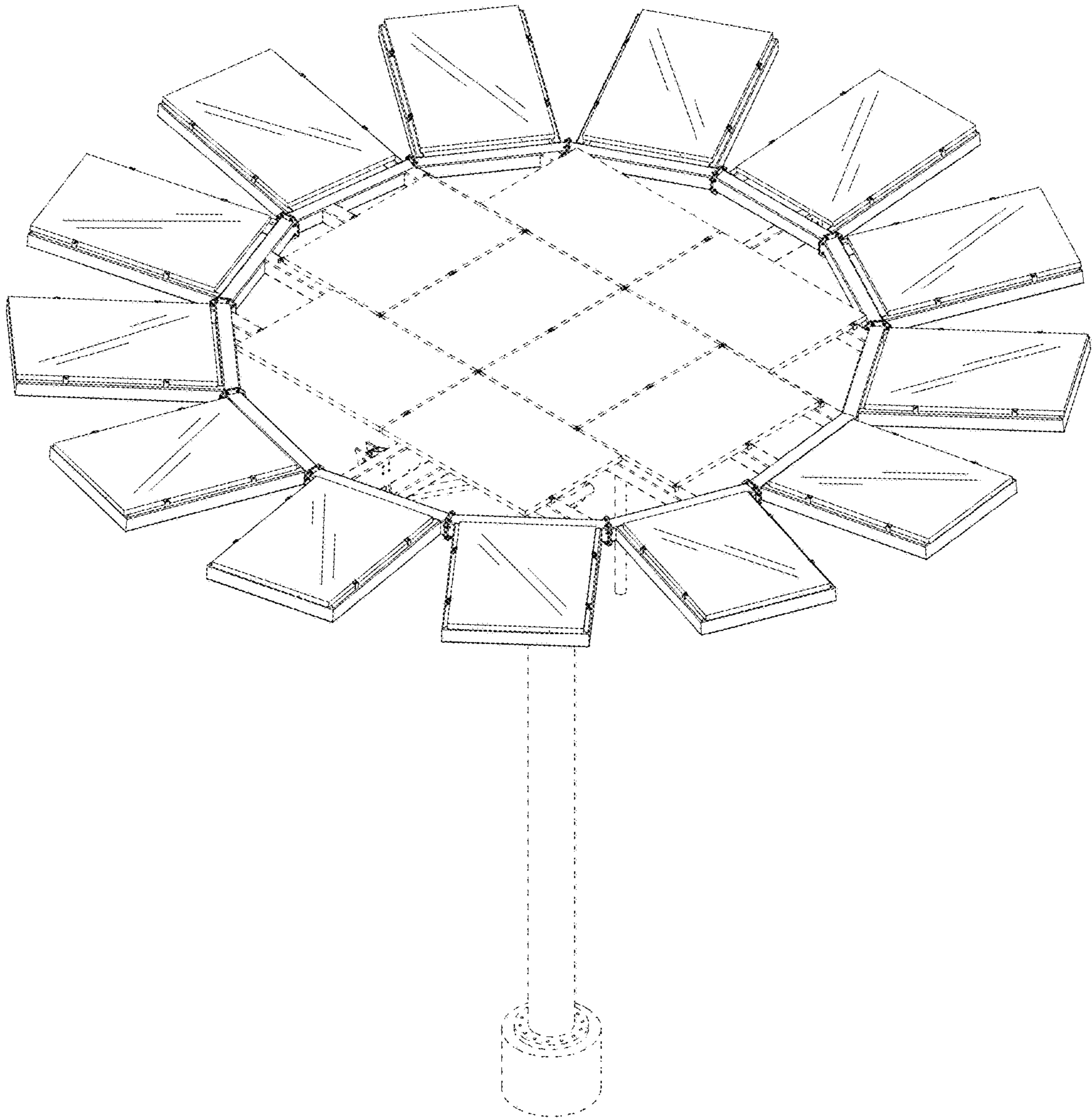


FIG. 1

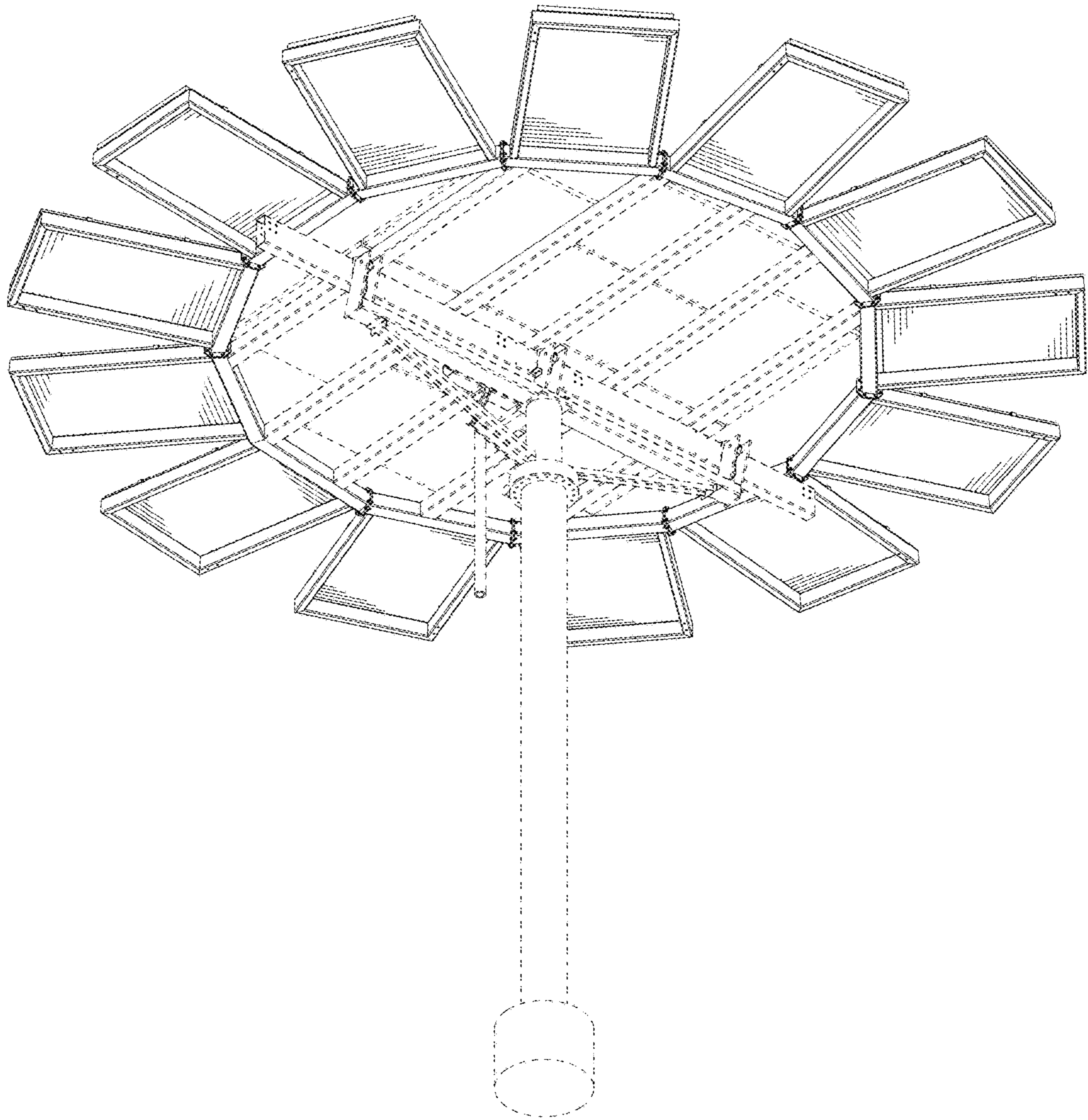


FIG. 2

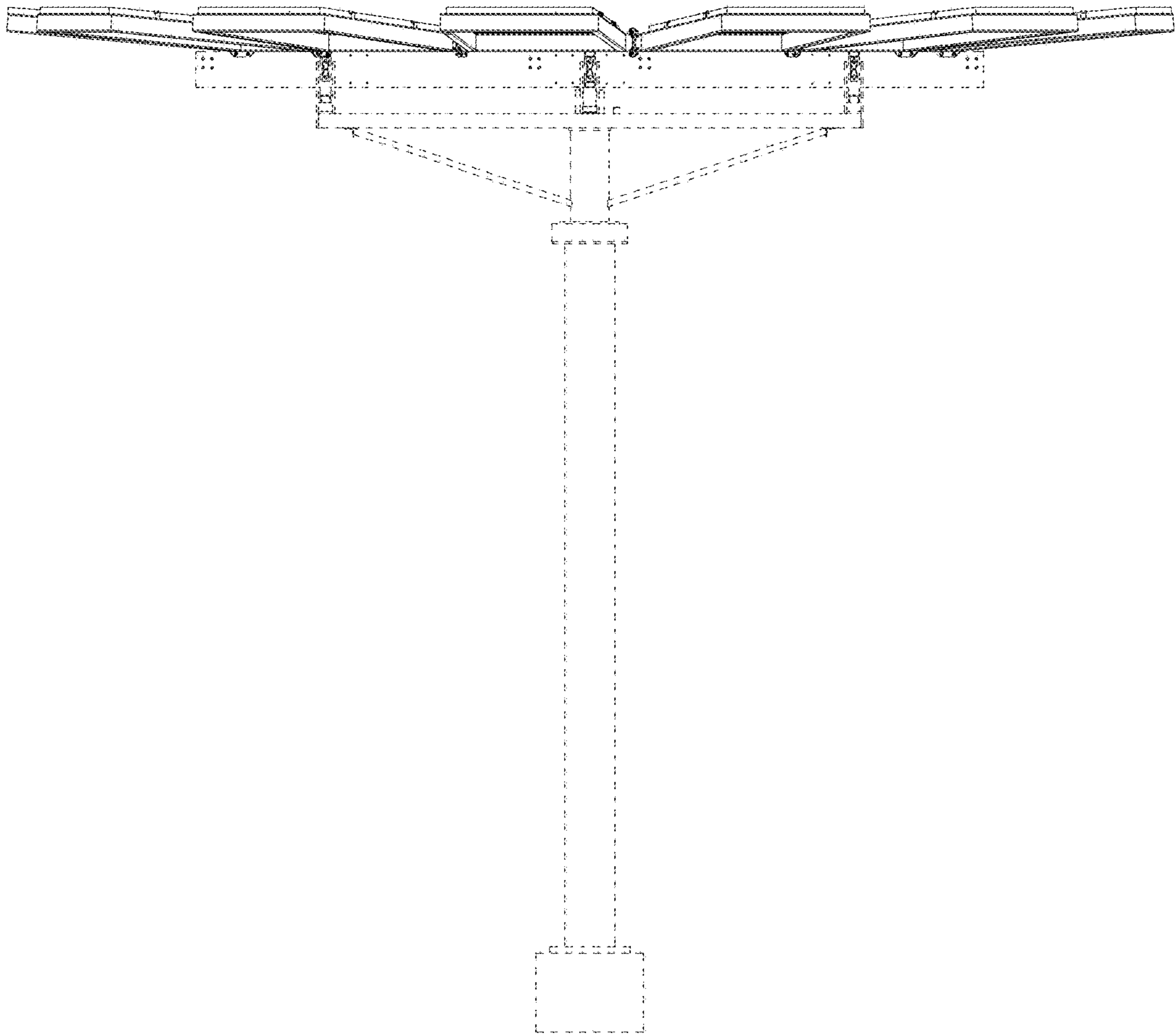


FIG. 3

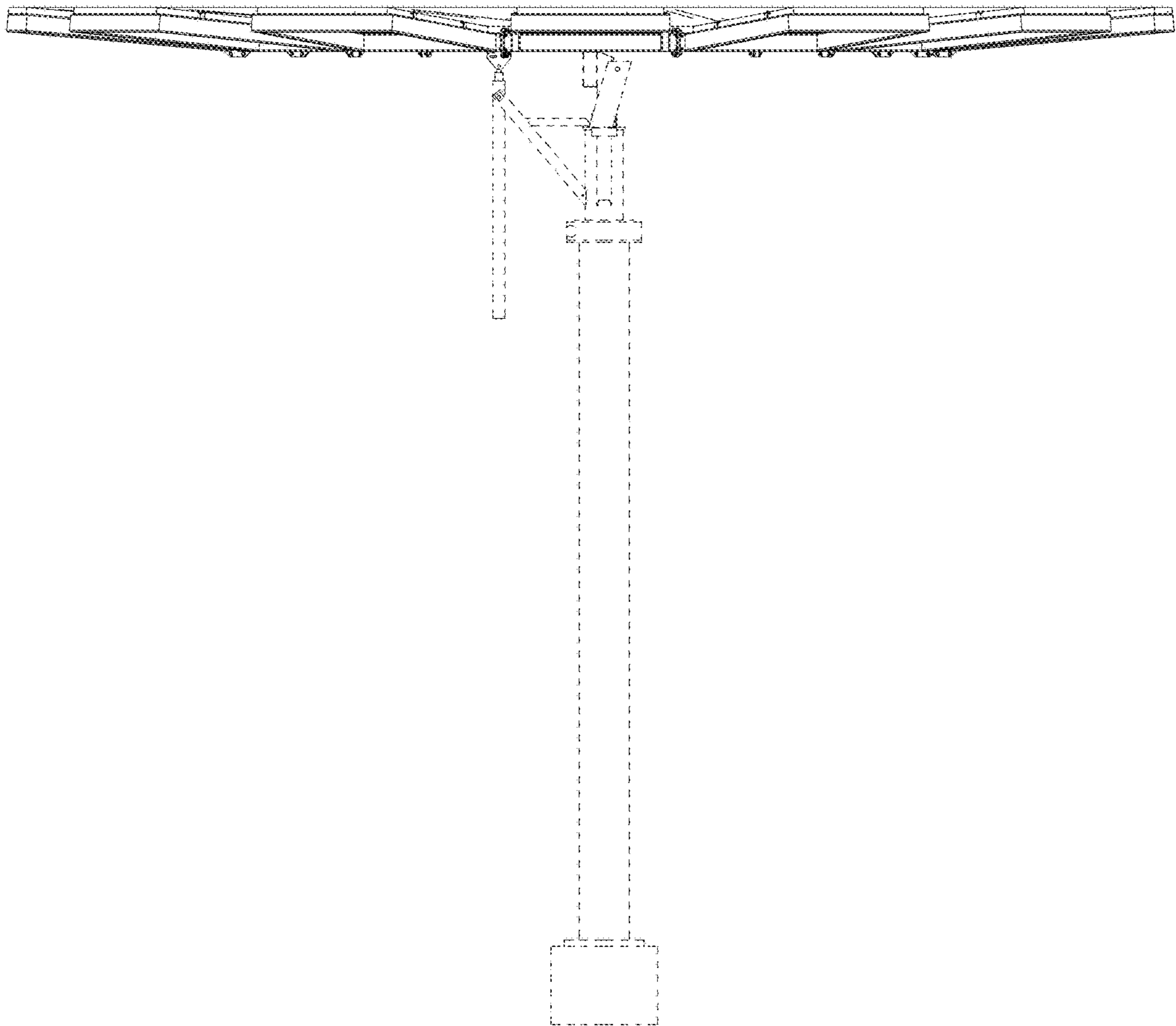


FIG. 4

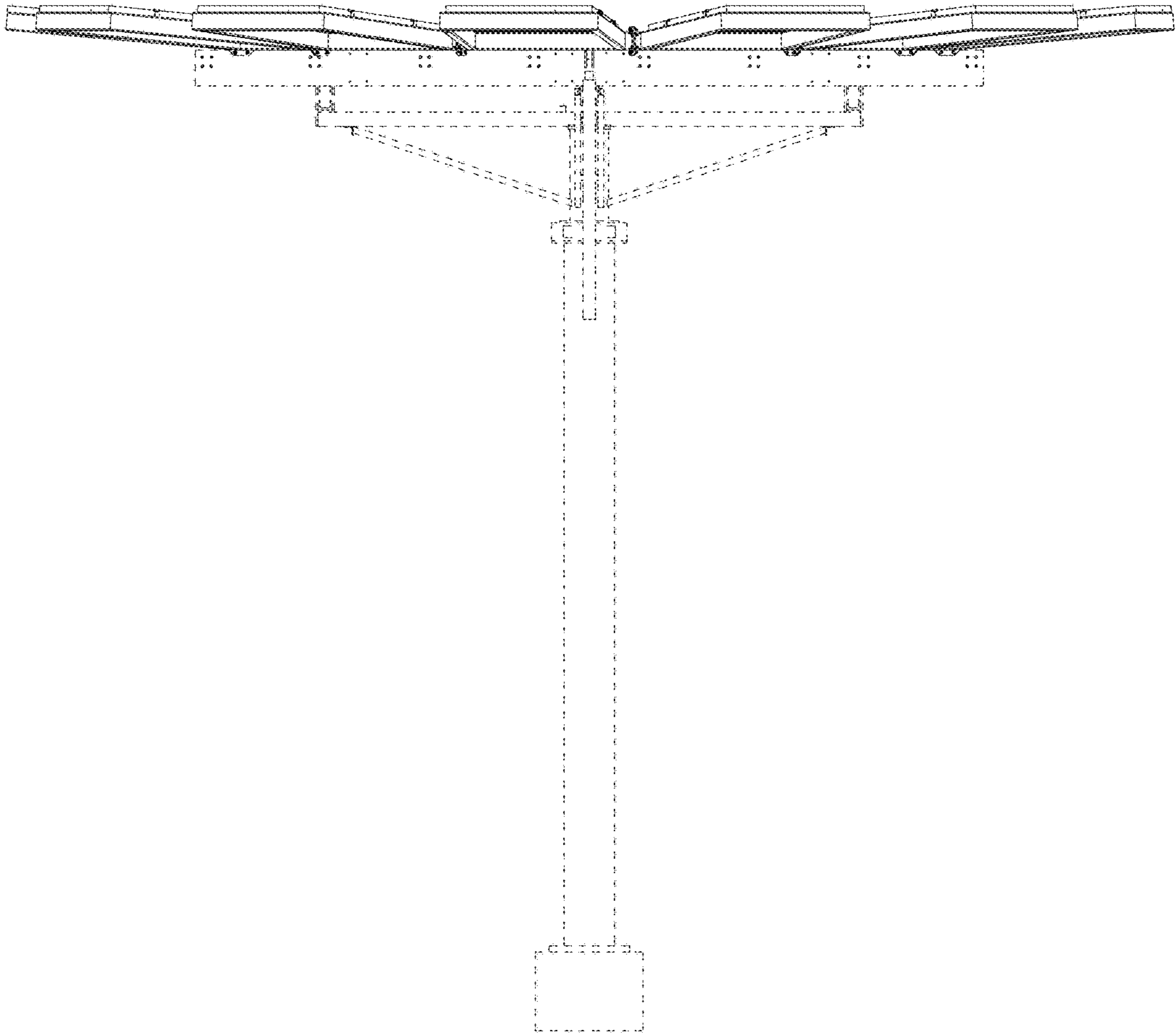


FIG. 5



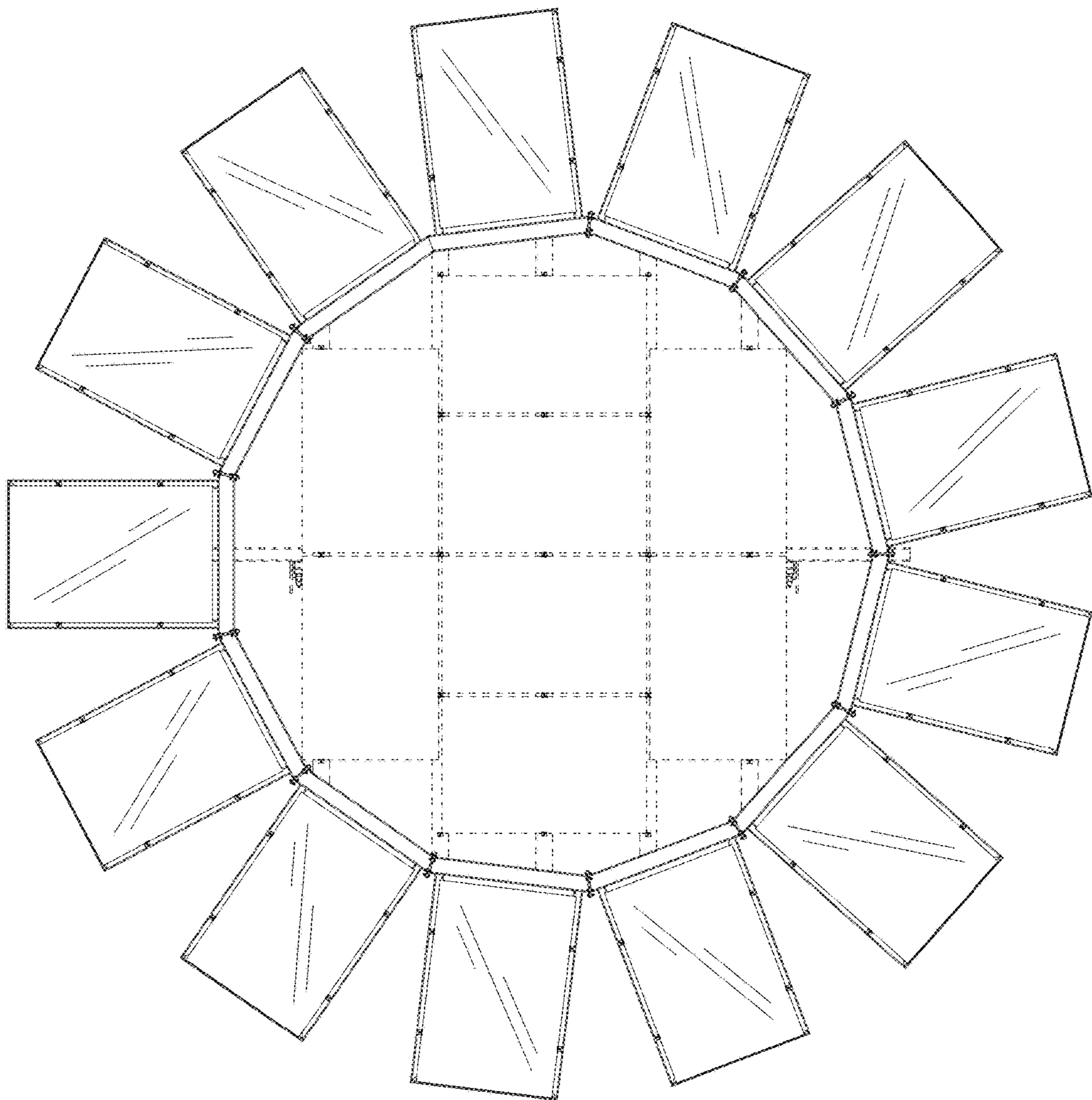


FIG. 6



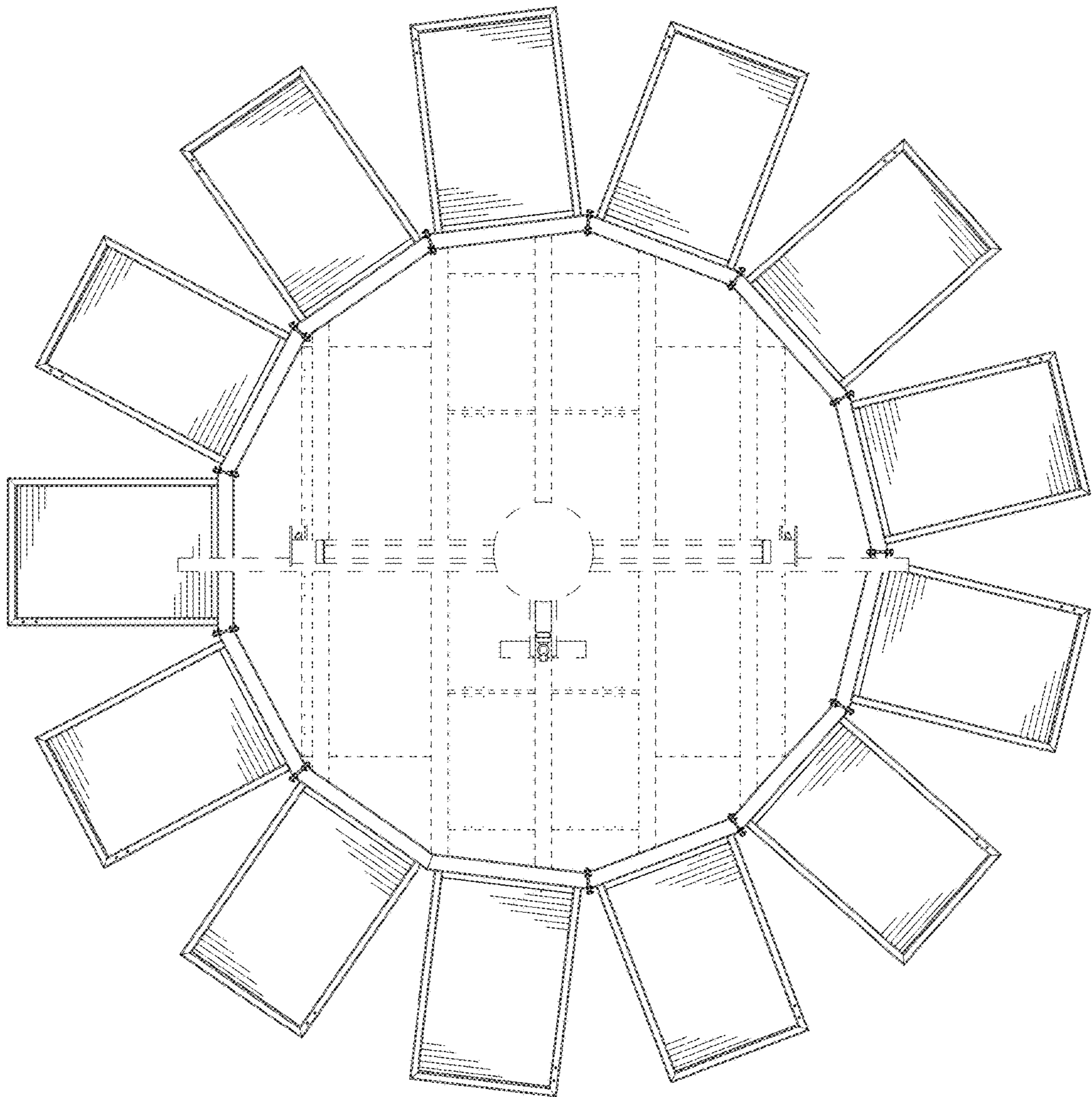


FIG. 7

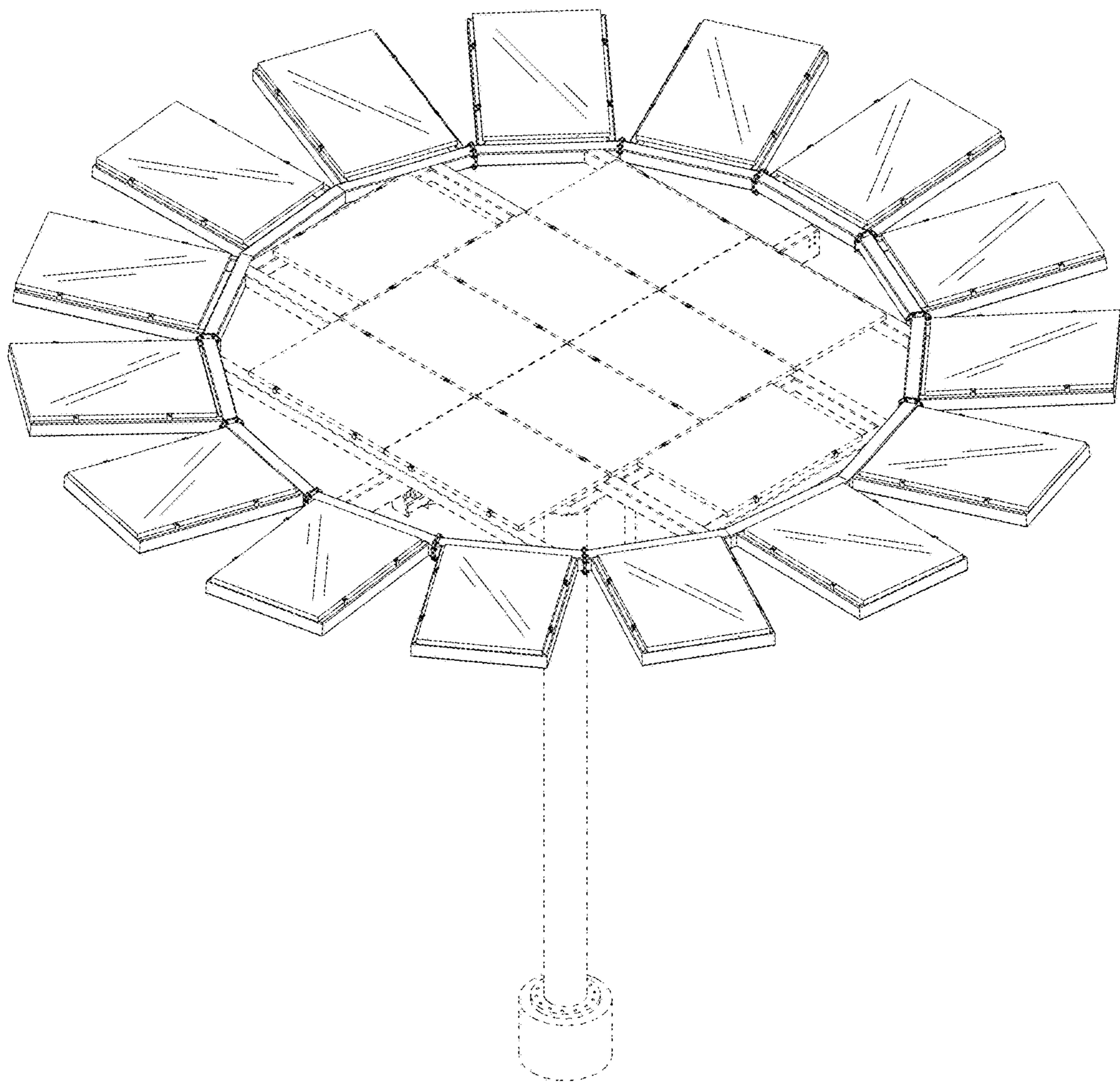


FIG. 8

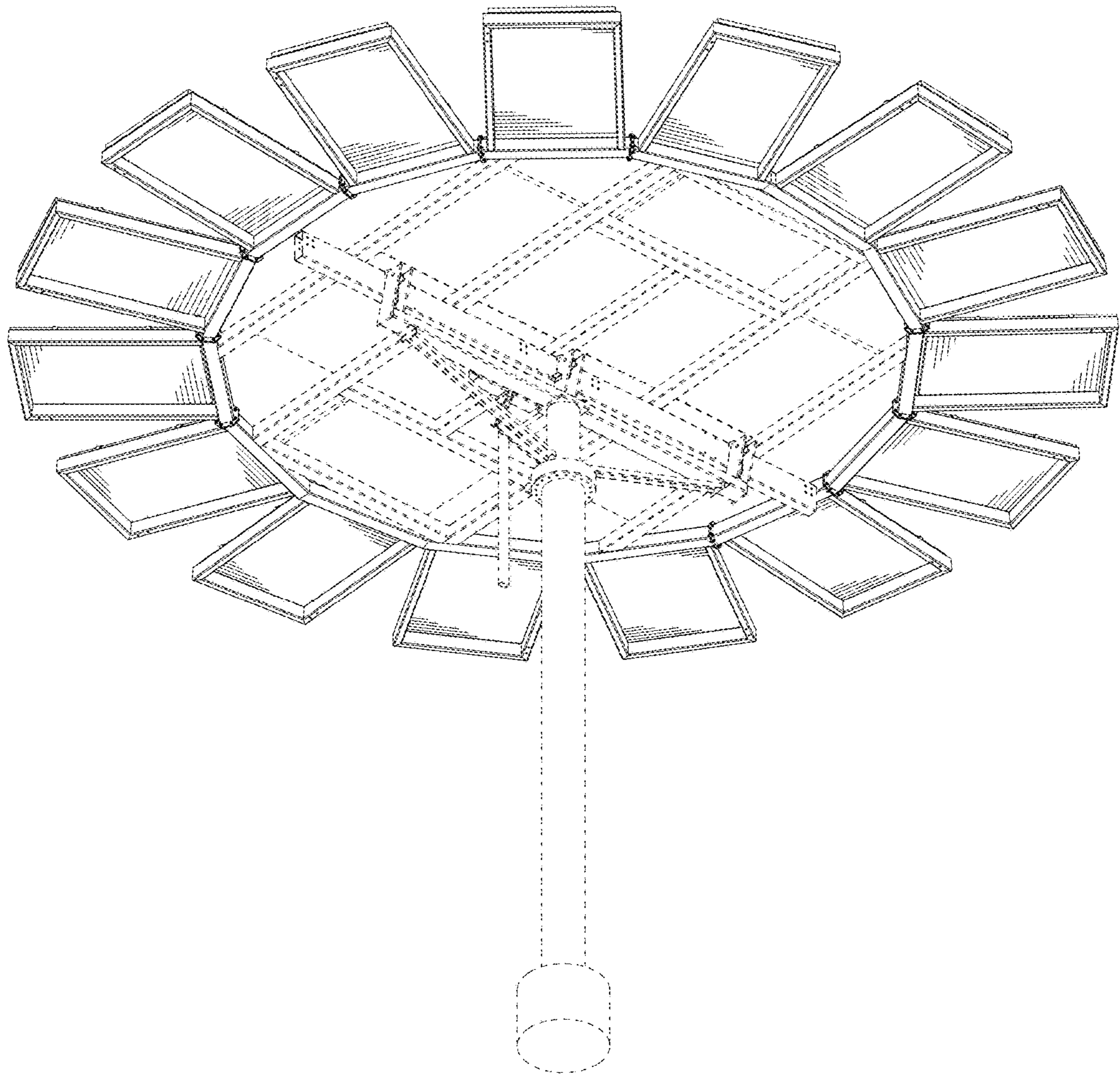


FIG. 9



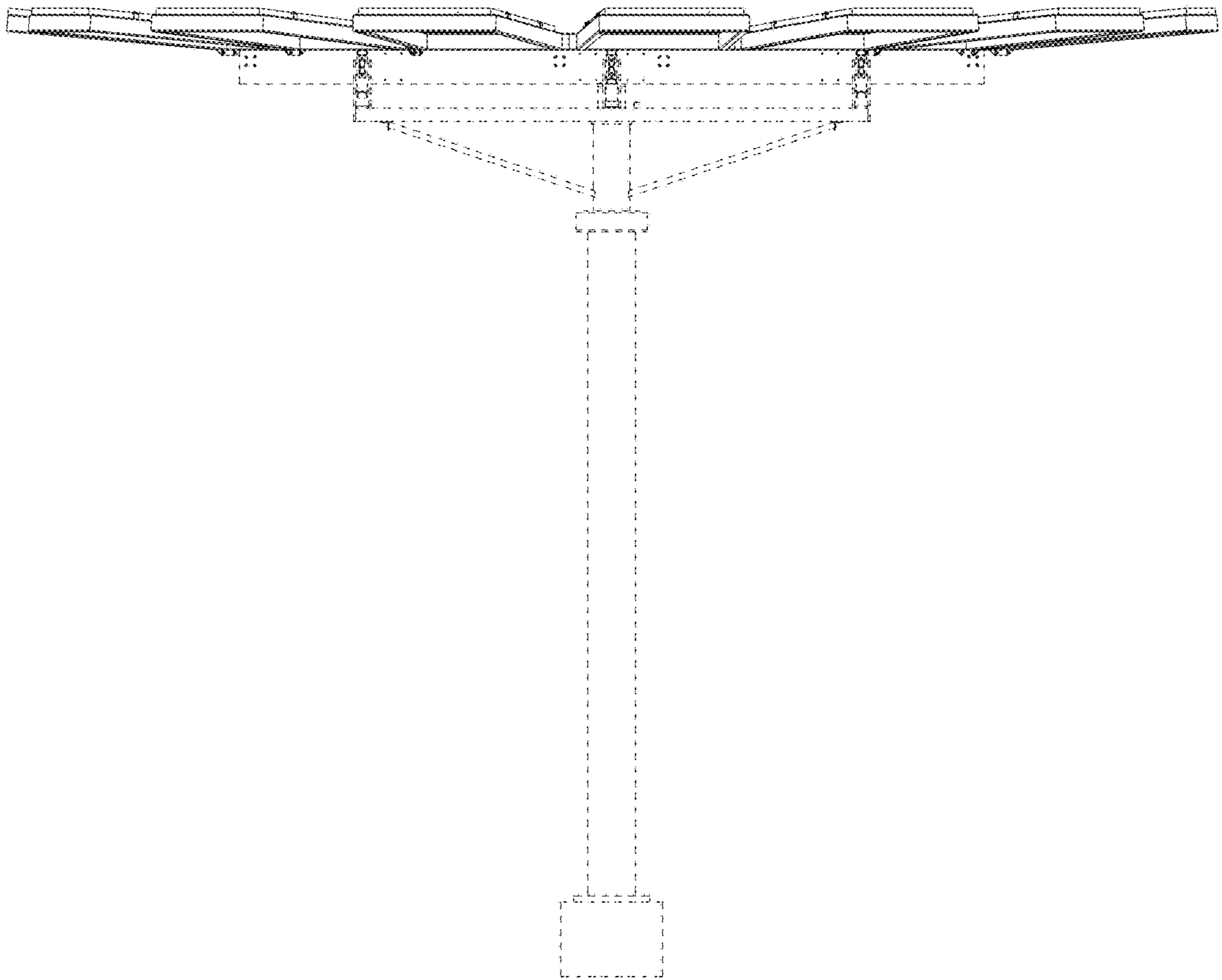


FIG. 10



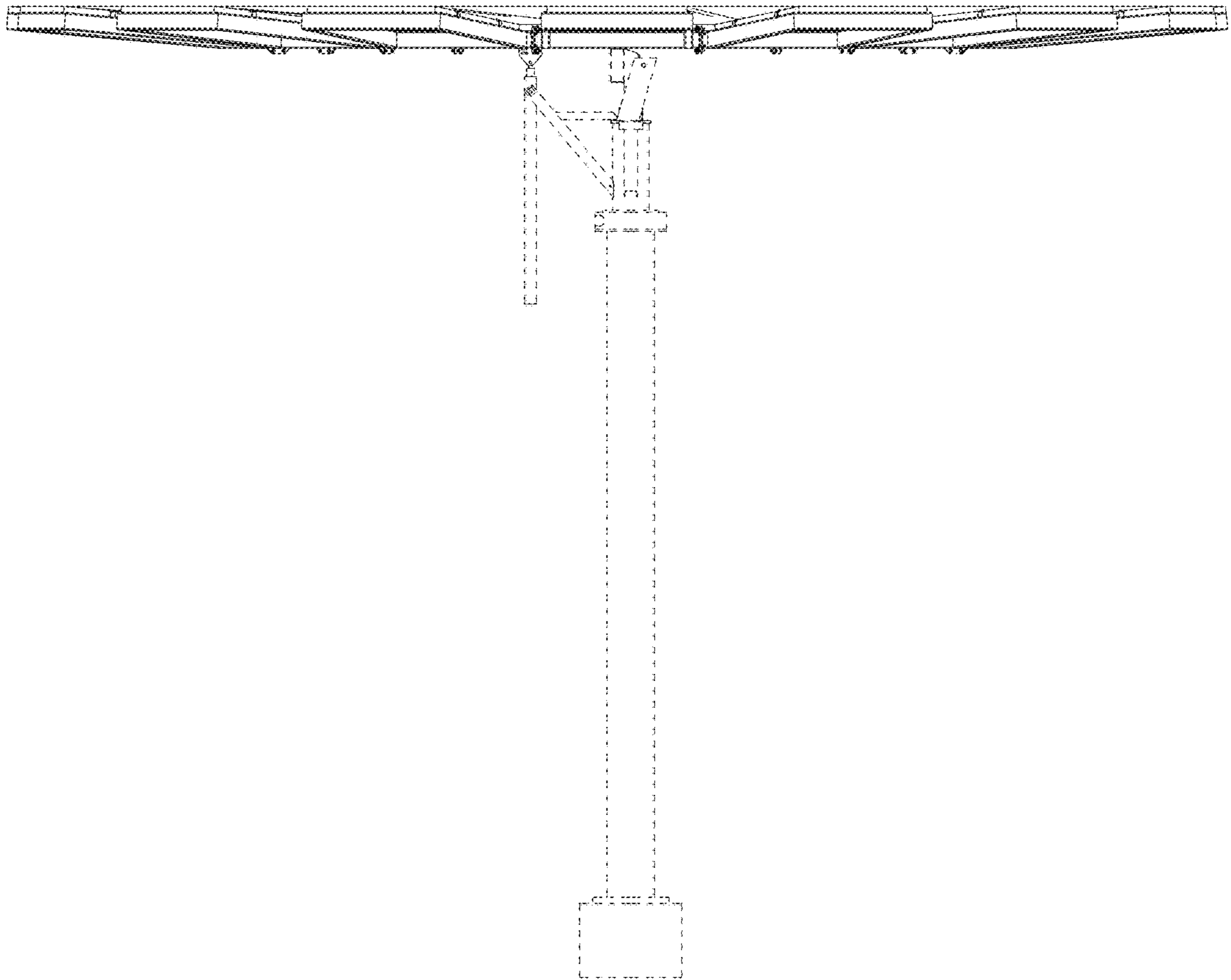


FIG. 11

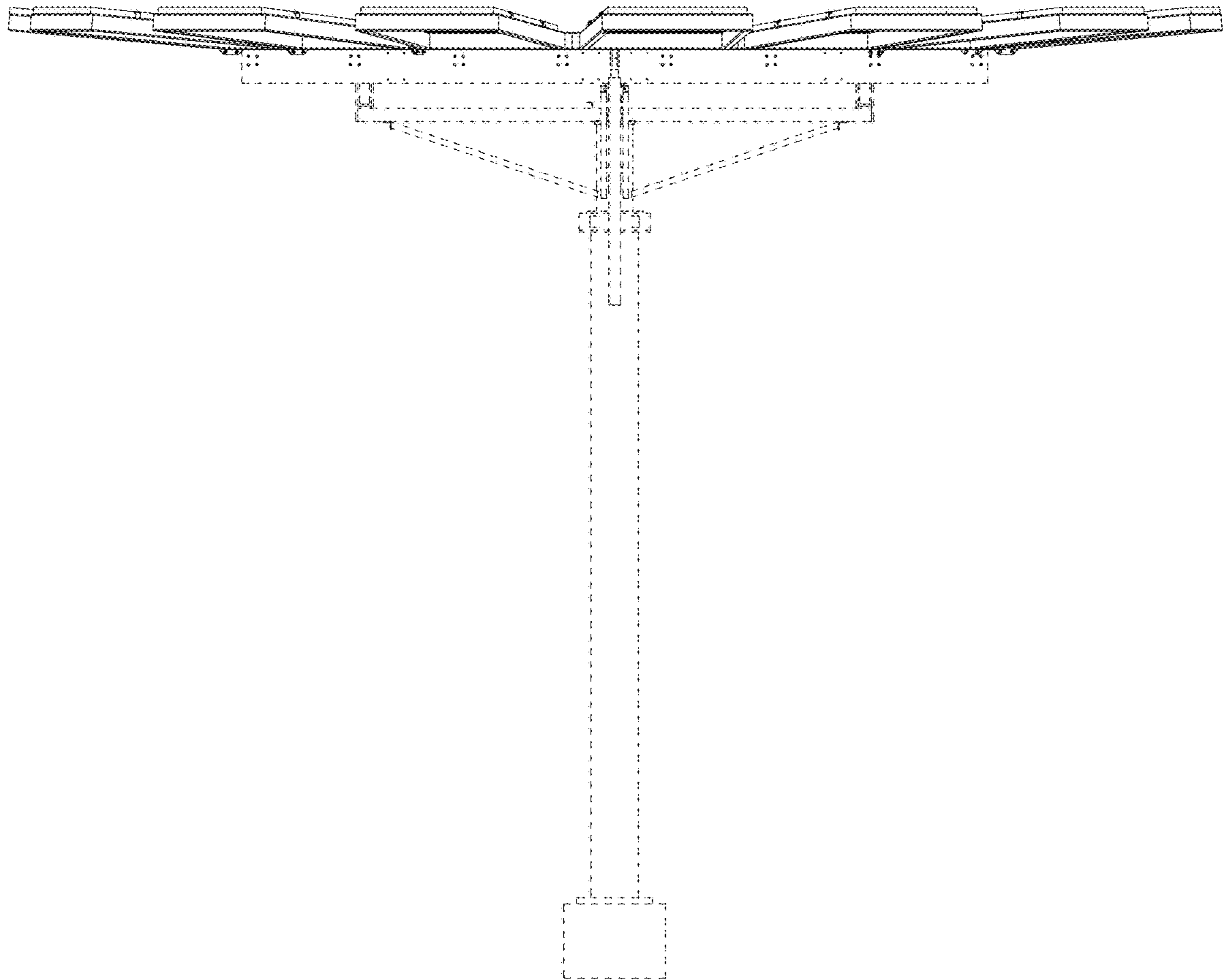


FIG. 12

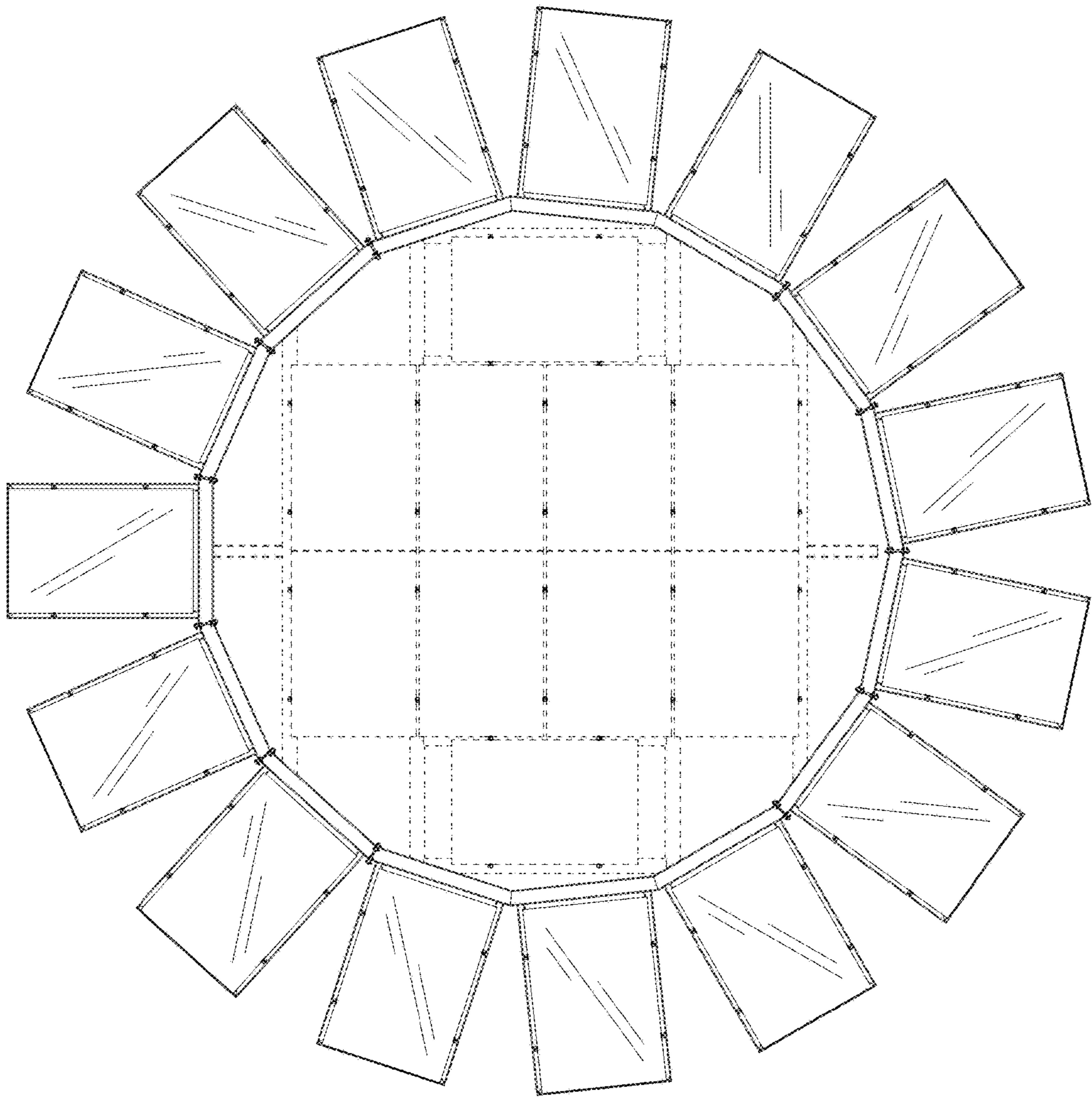


FIG. 13

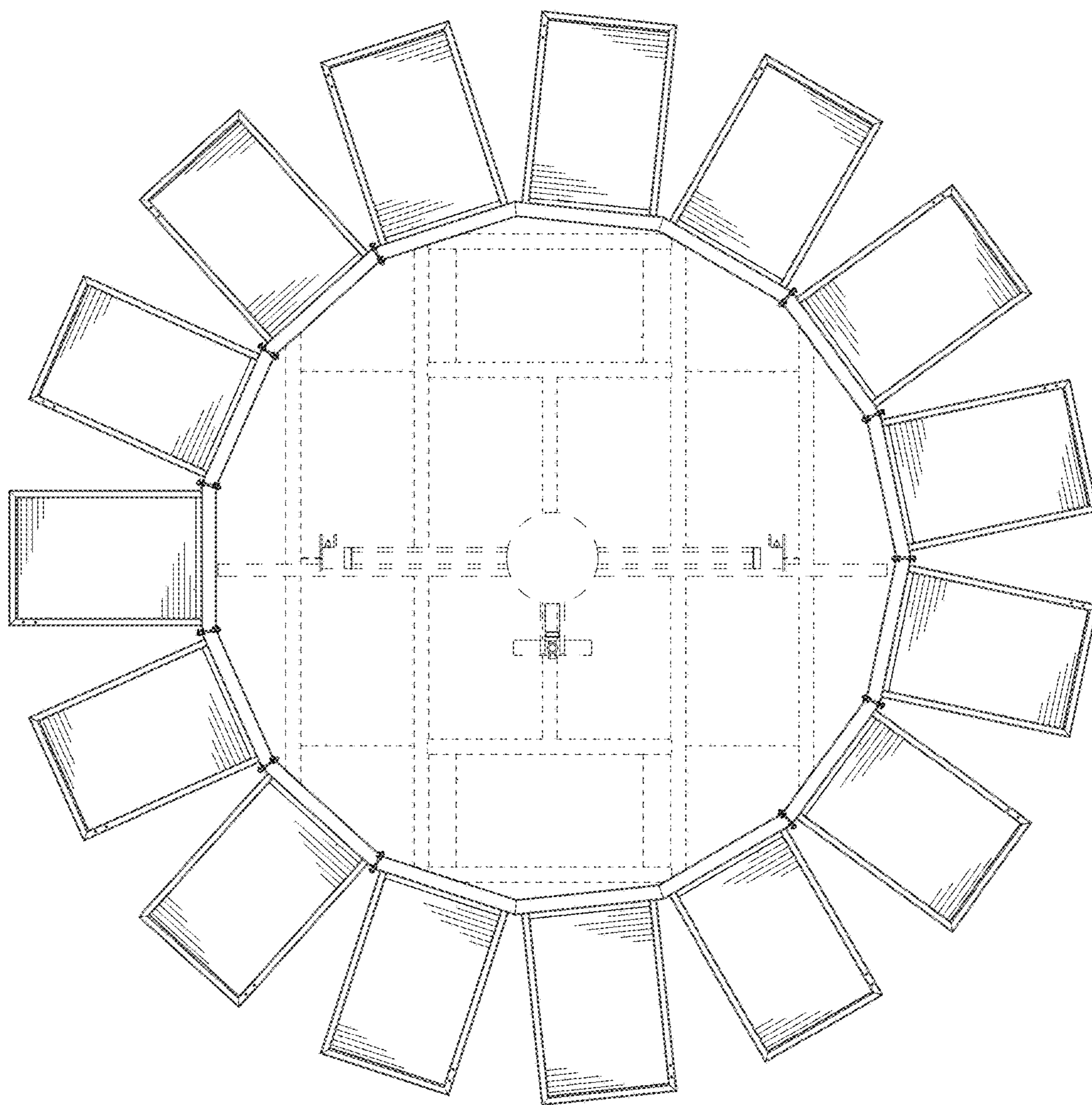


FIG. 14



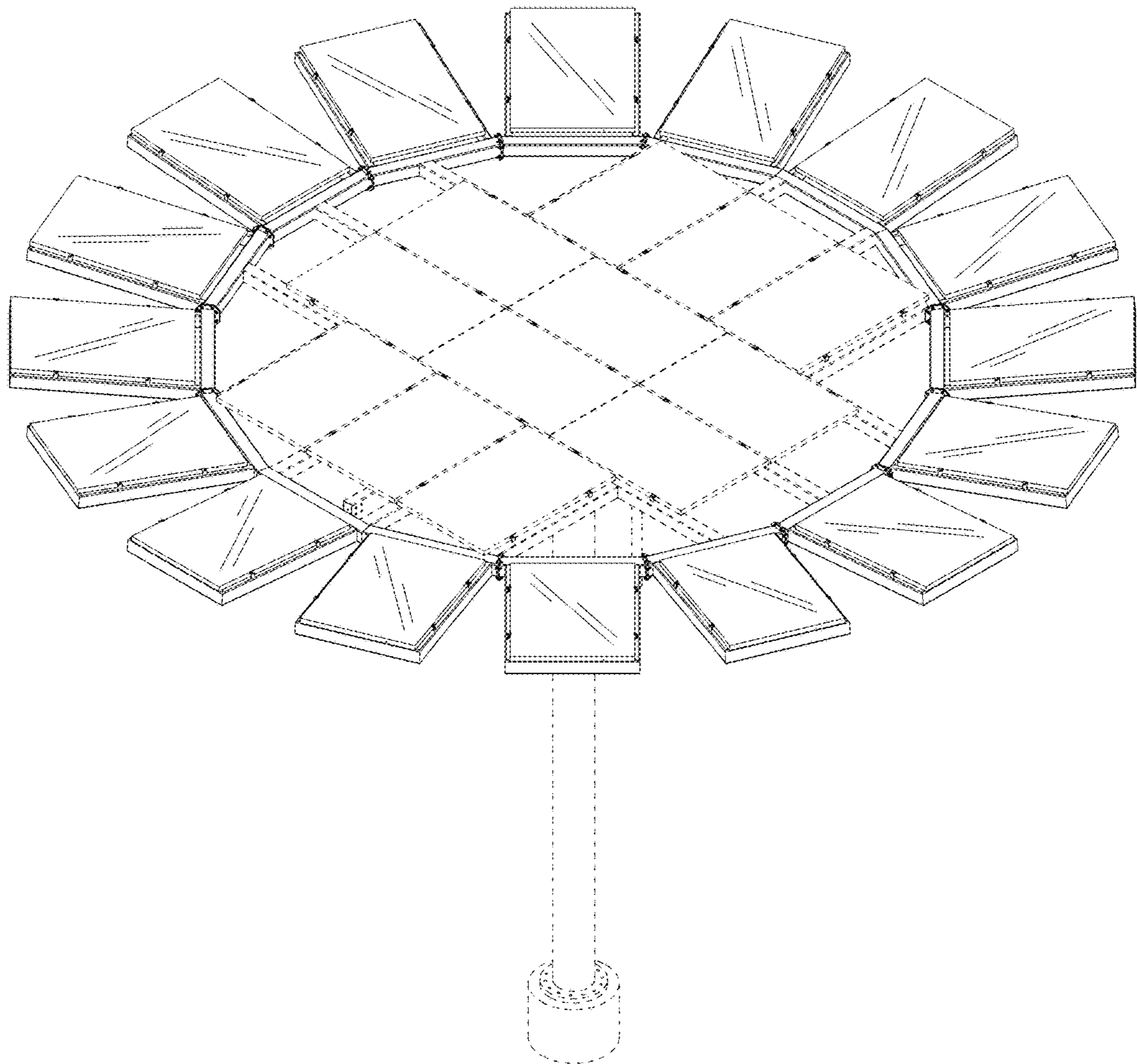


FIG. 15

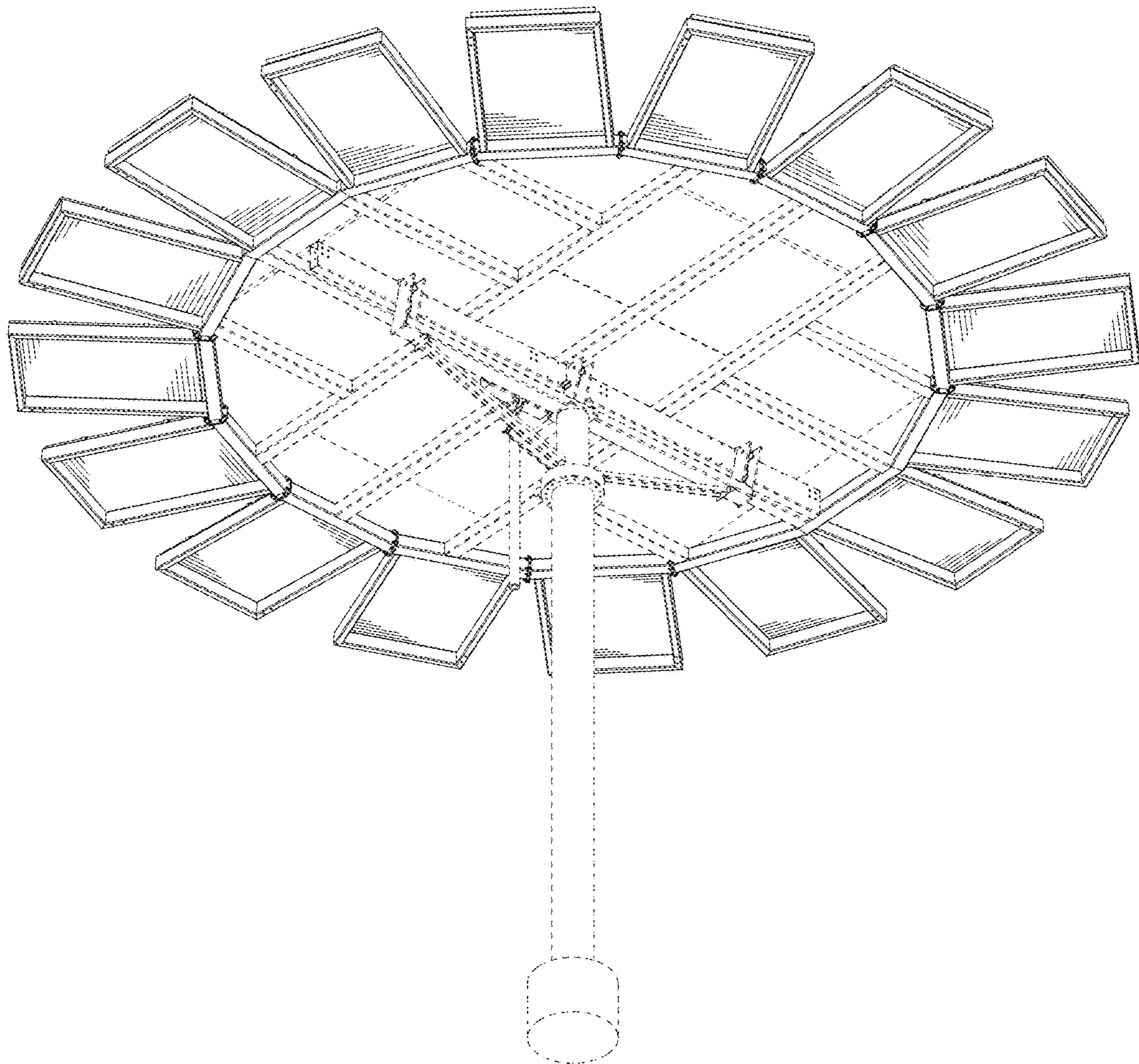


FIG. 16

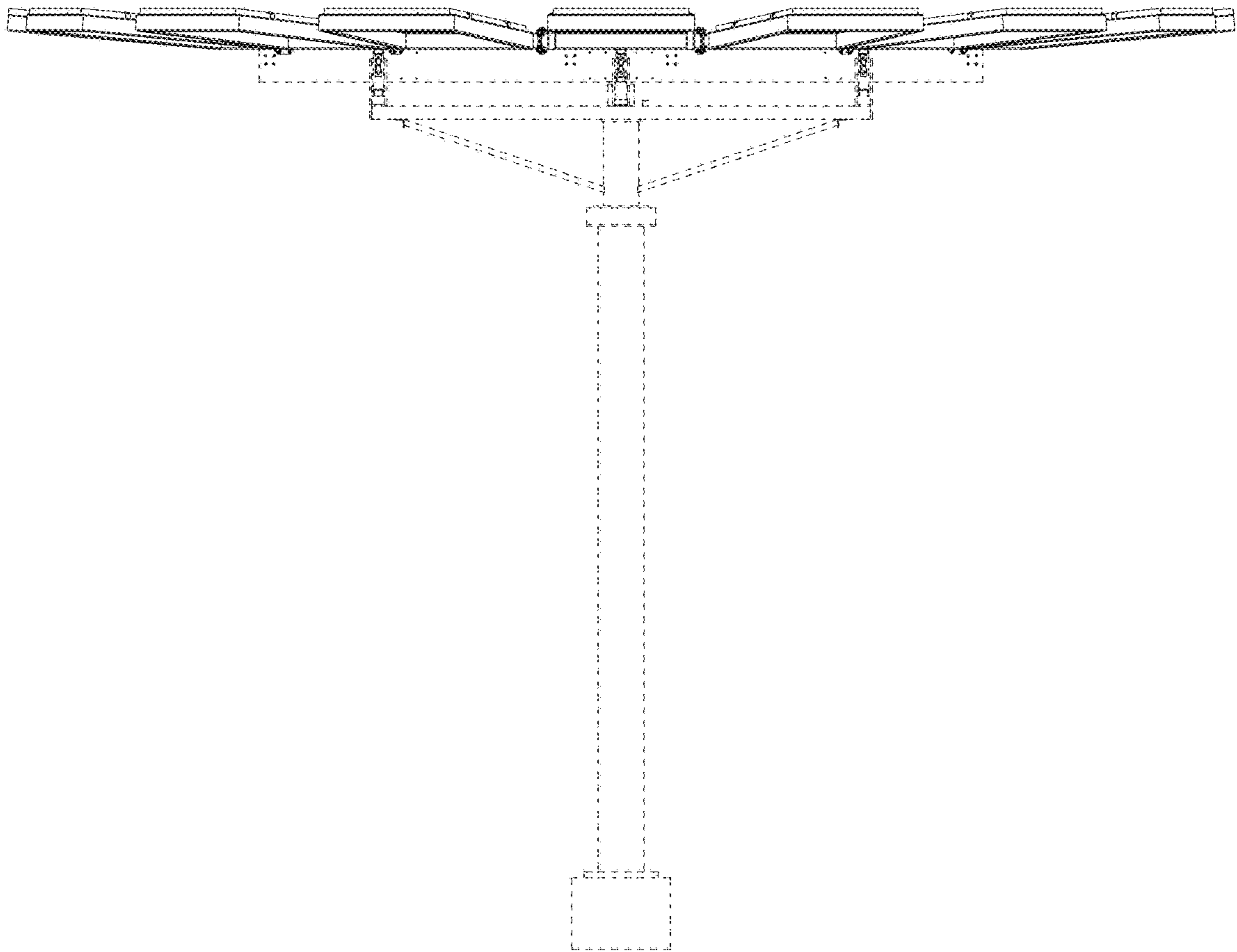


FIG. 17

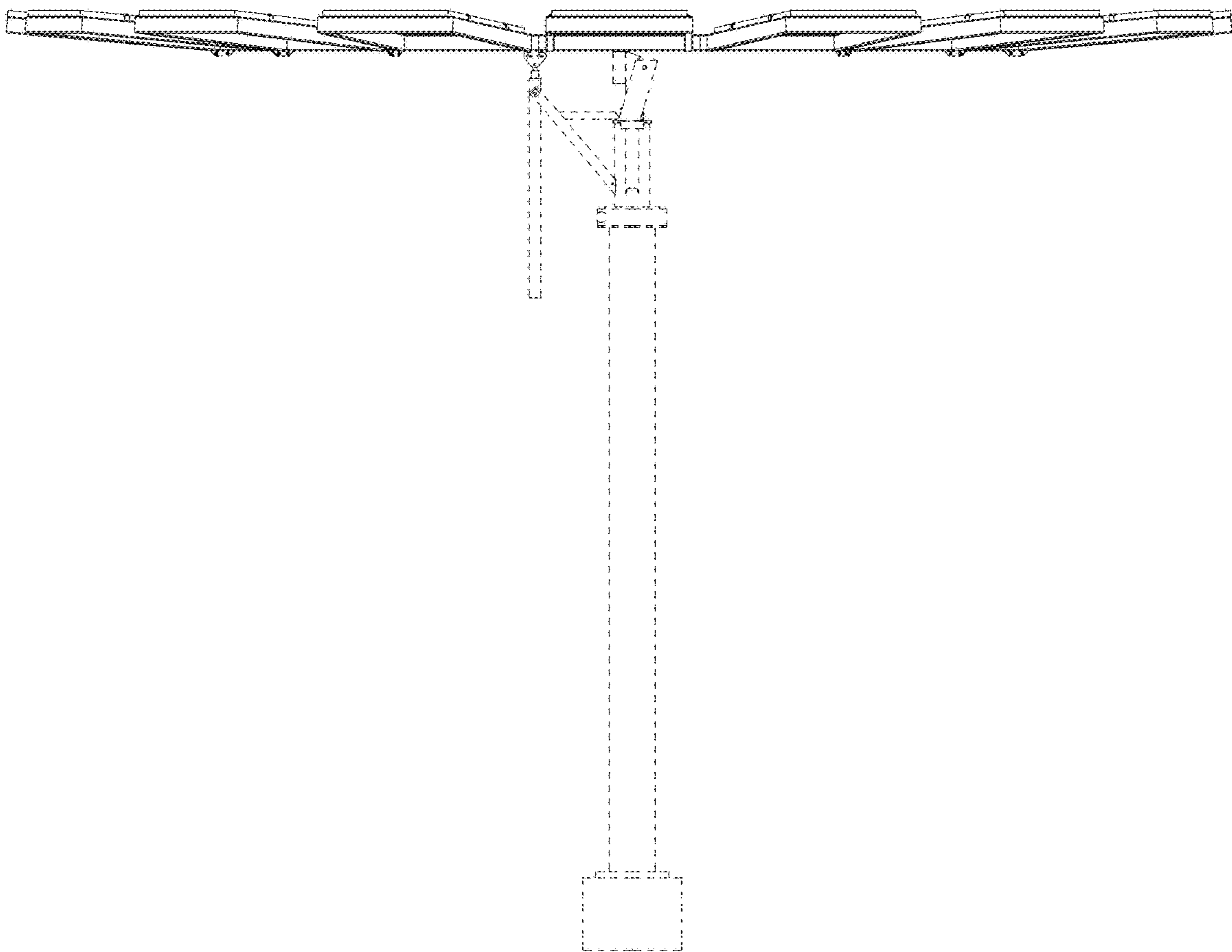


FIG. 18



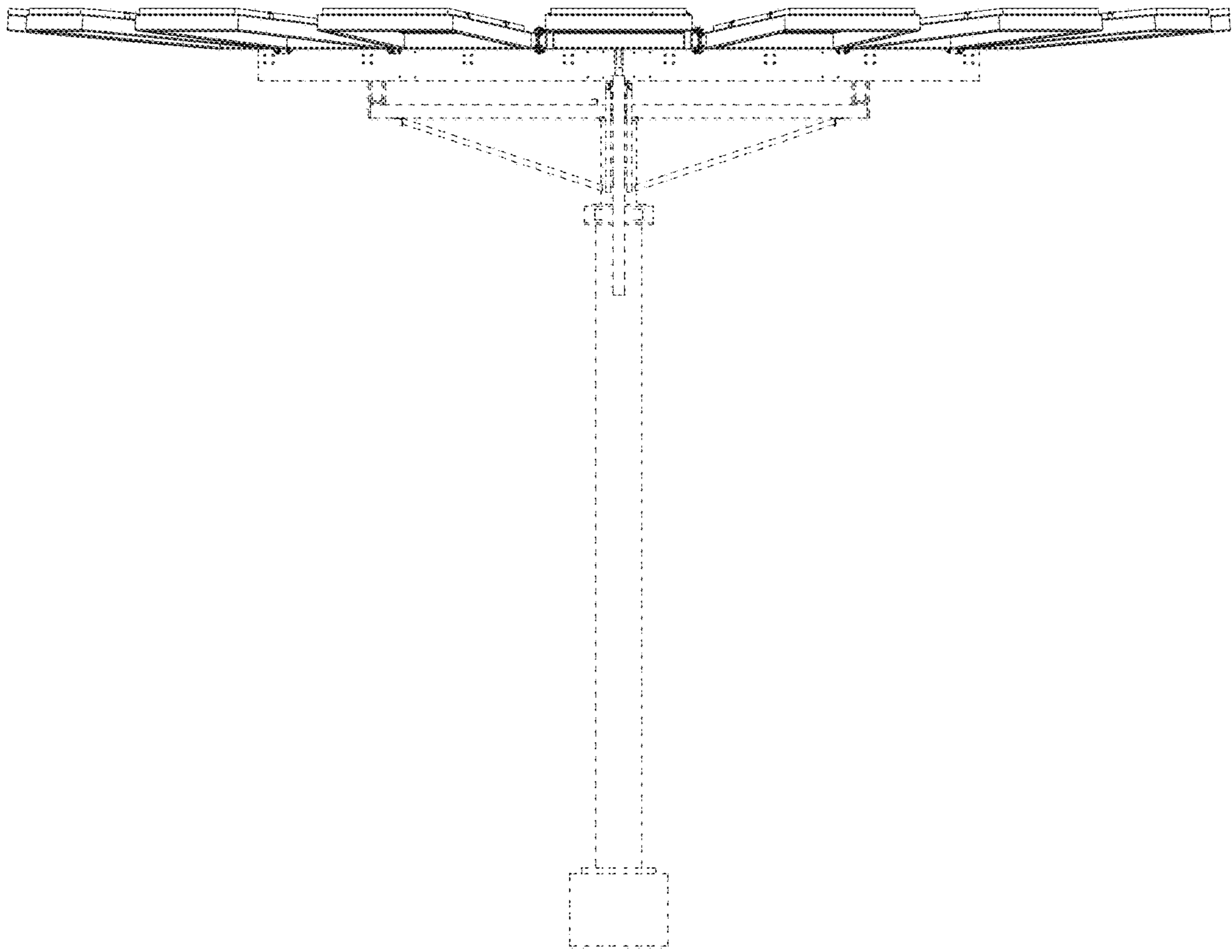


FIG. 19

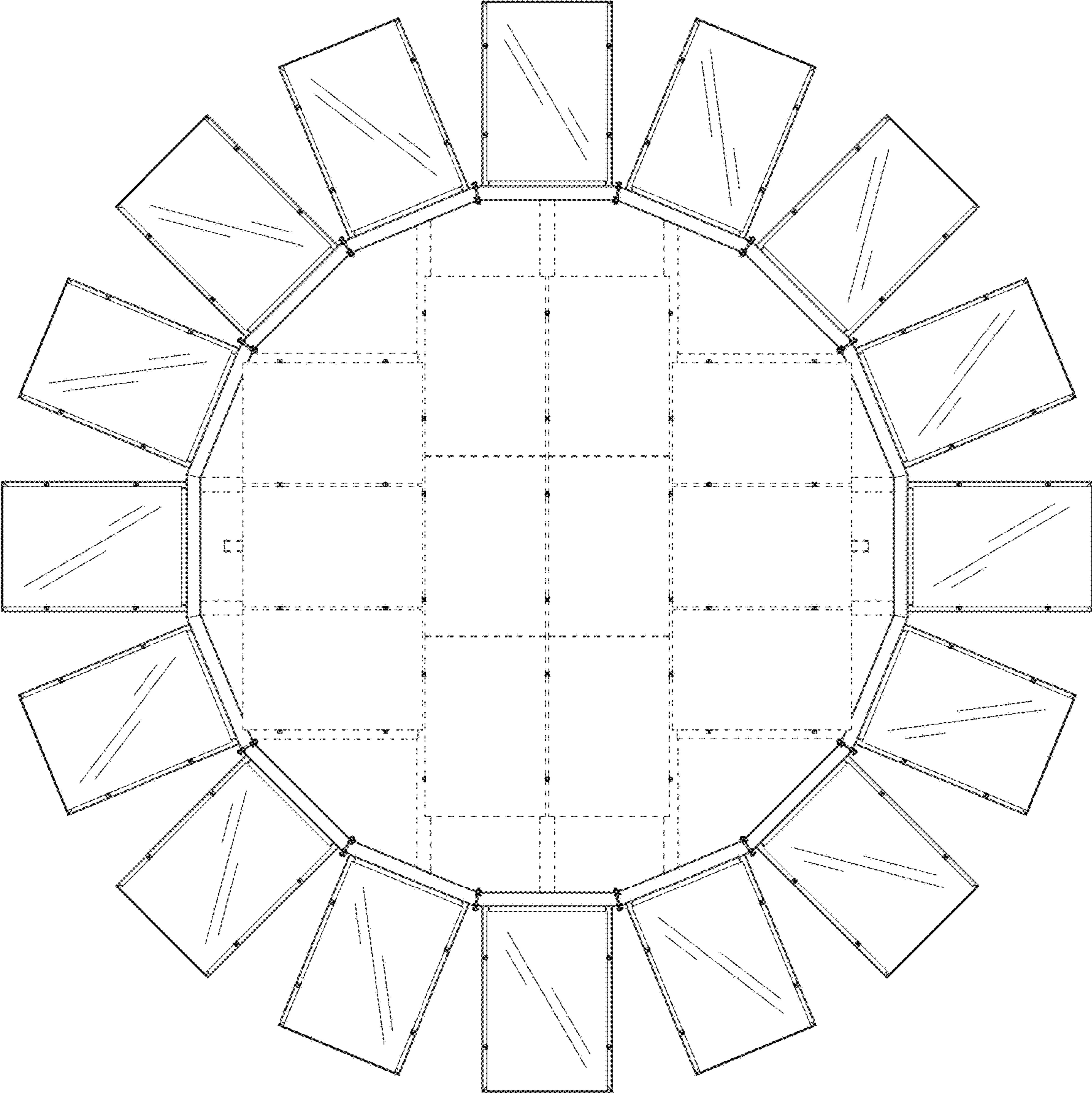


FIG. 20

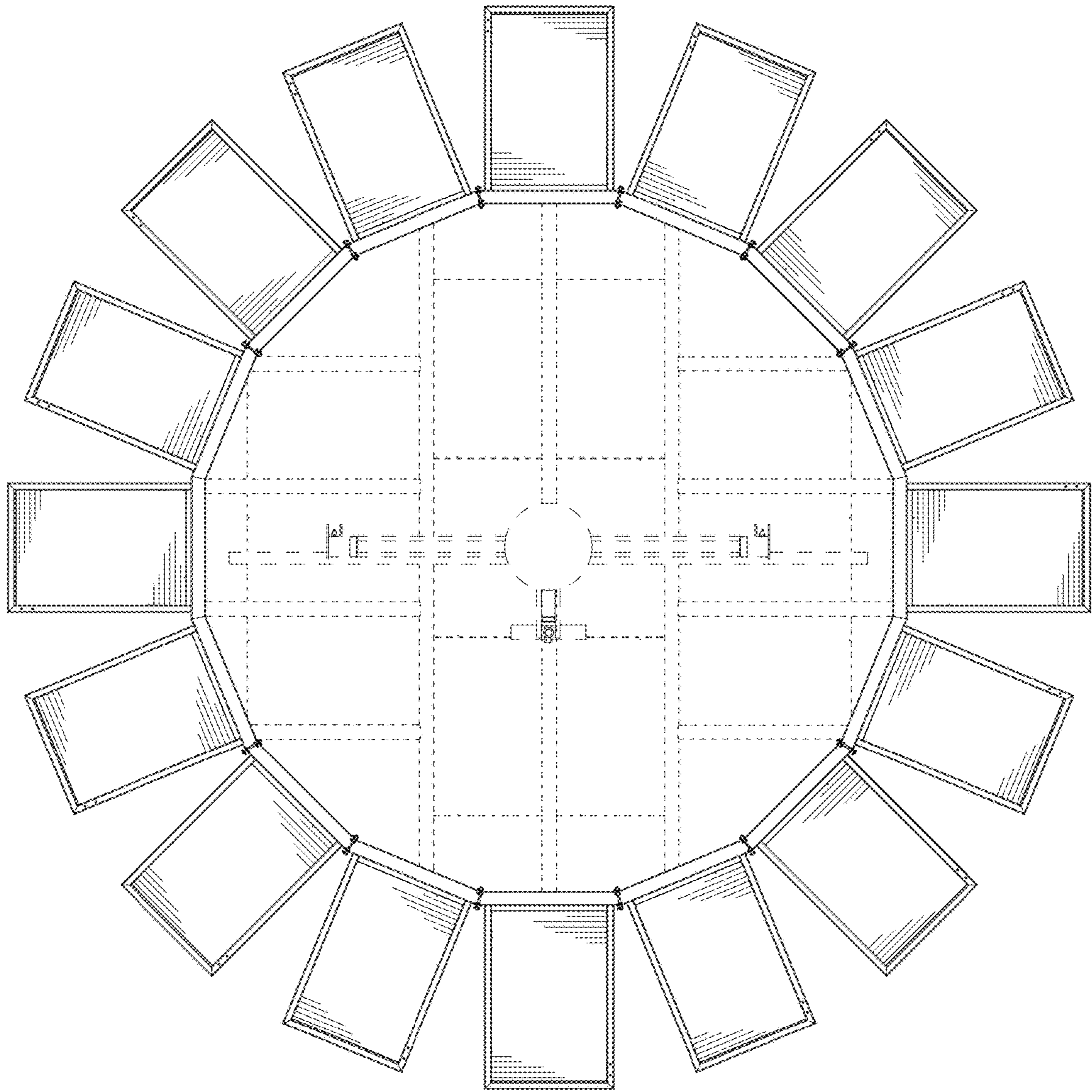


FIG. 21

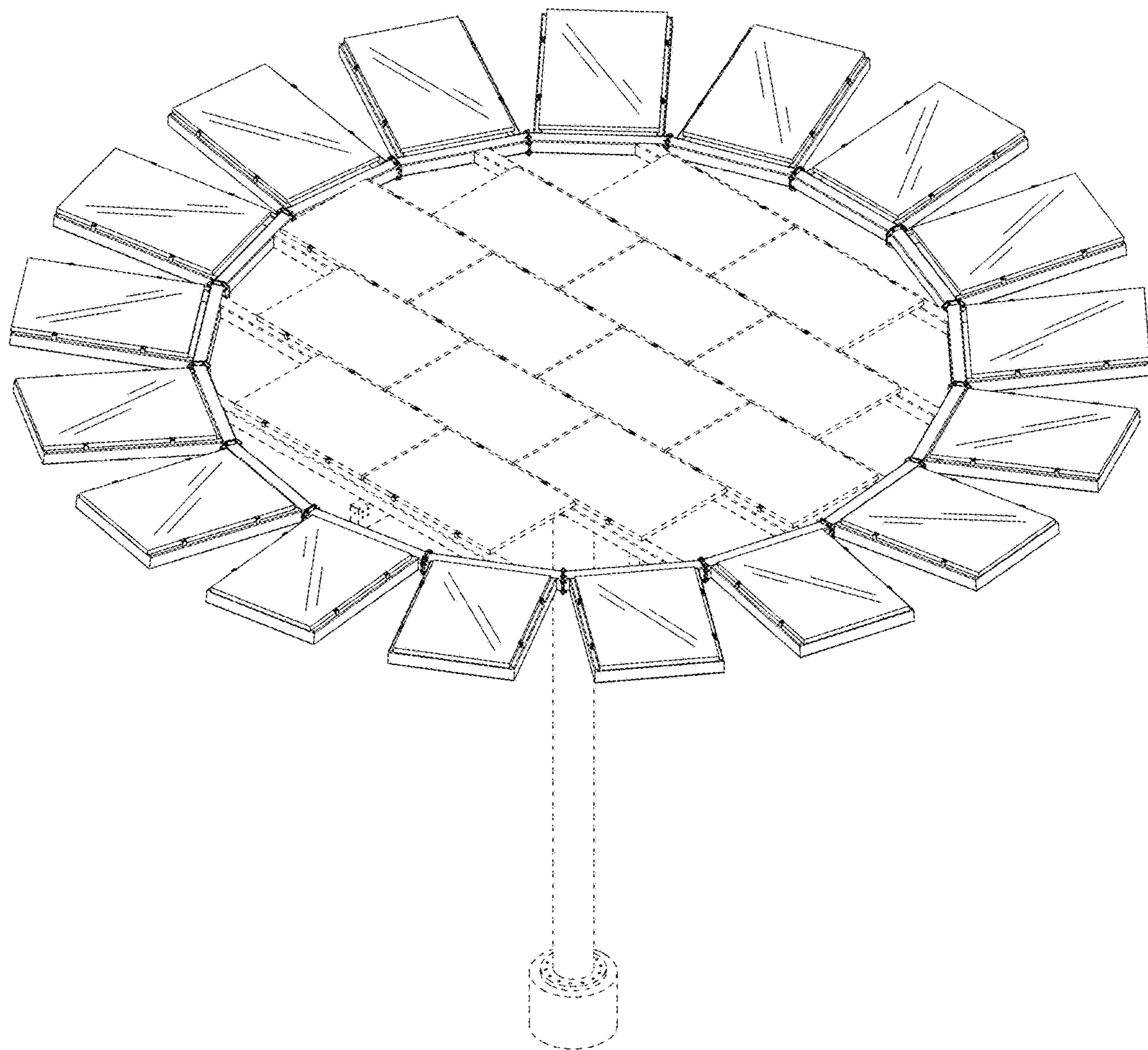


FIG. 22



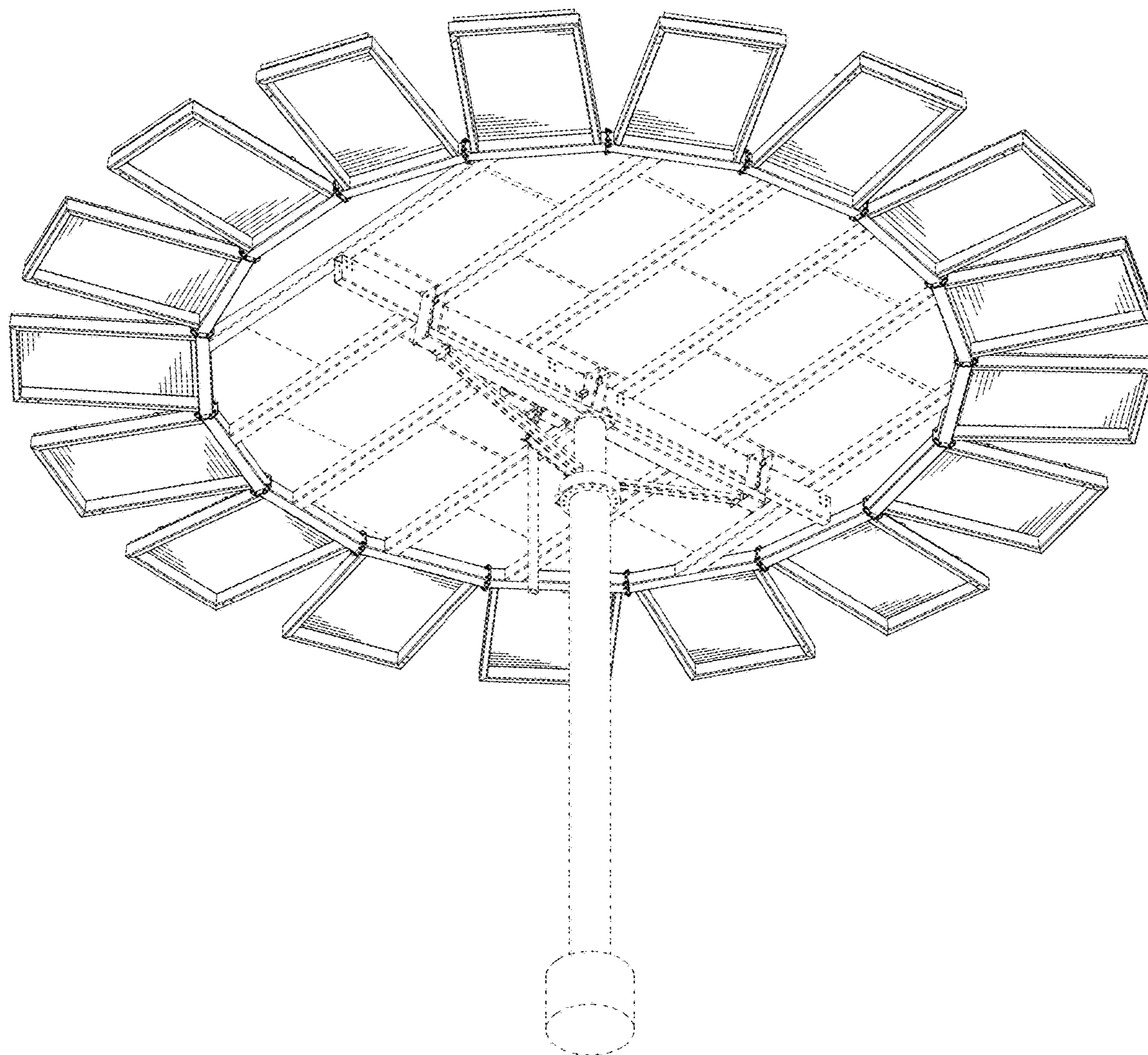


FIG. 23

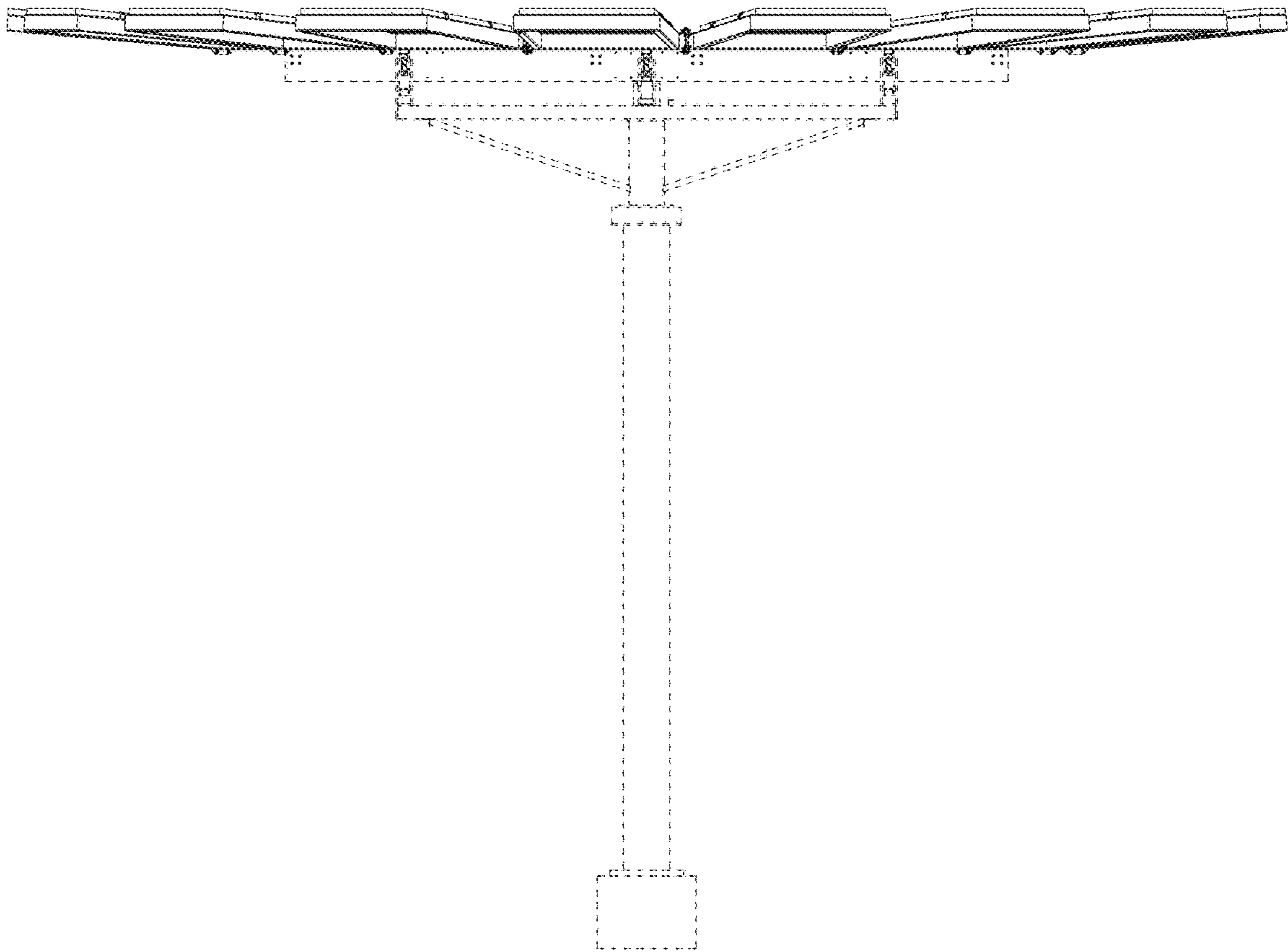


FIG. 24

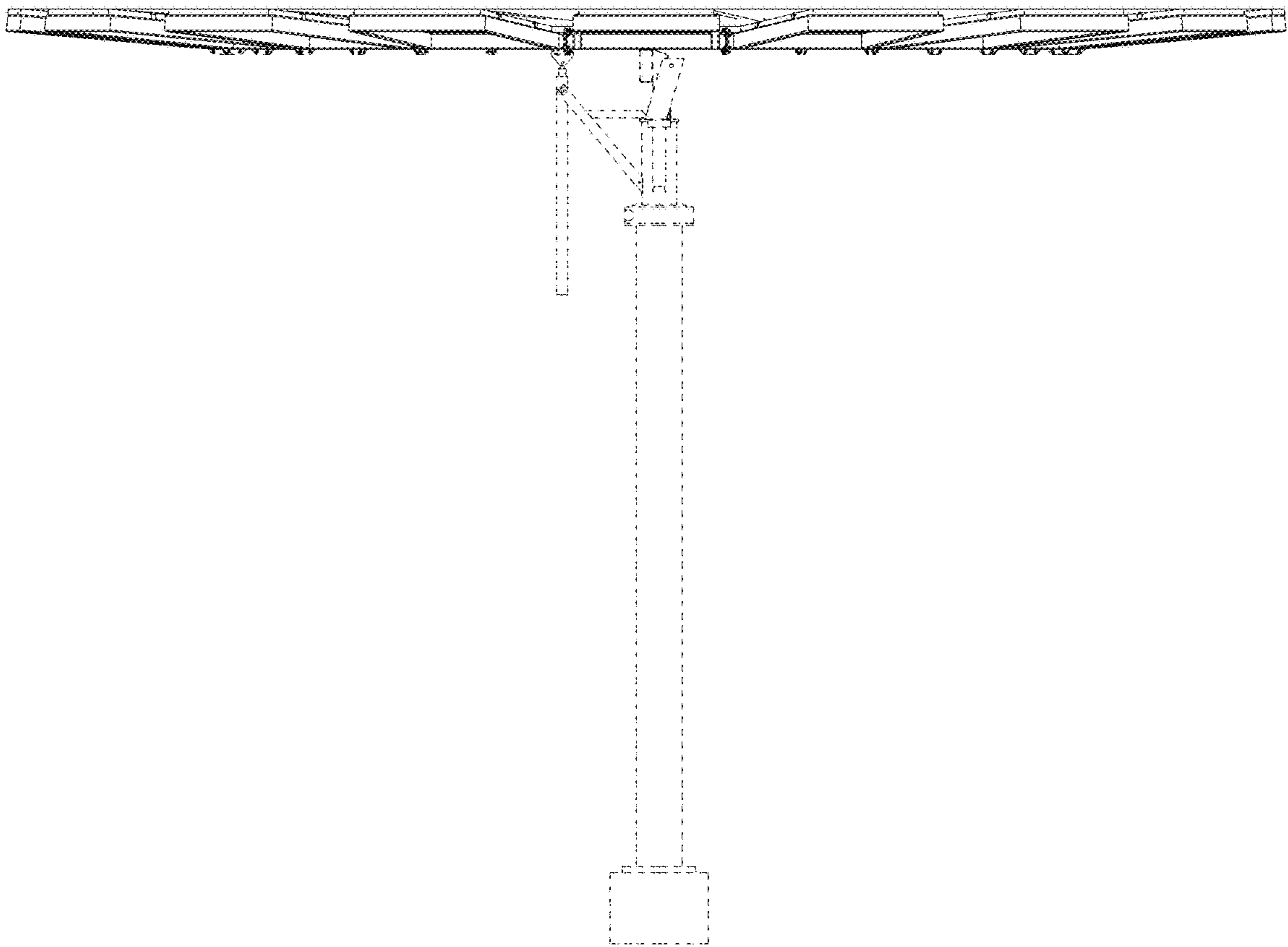


FIG. 25

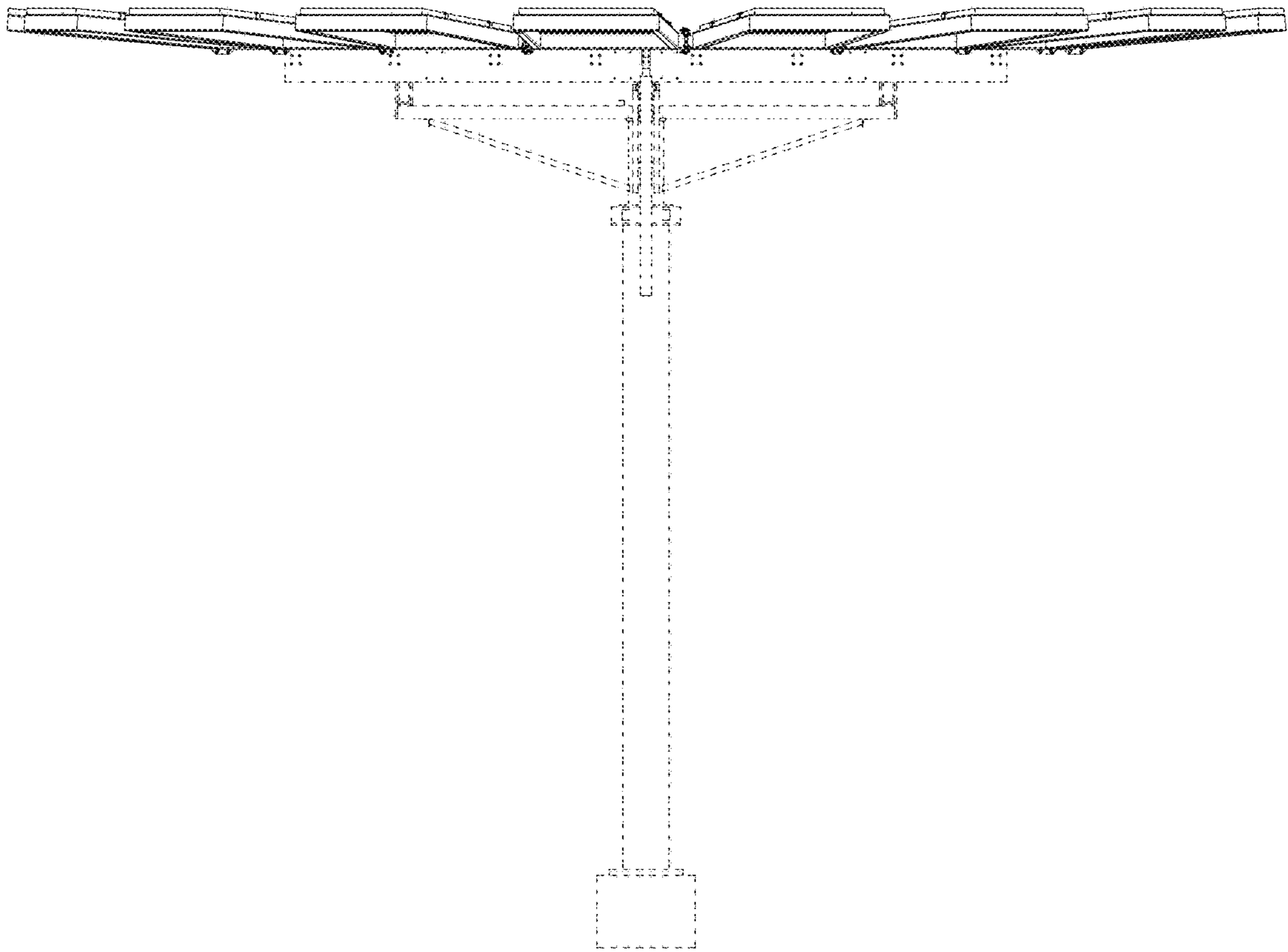


FIG. 26



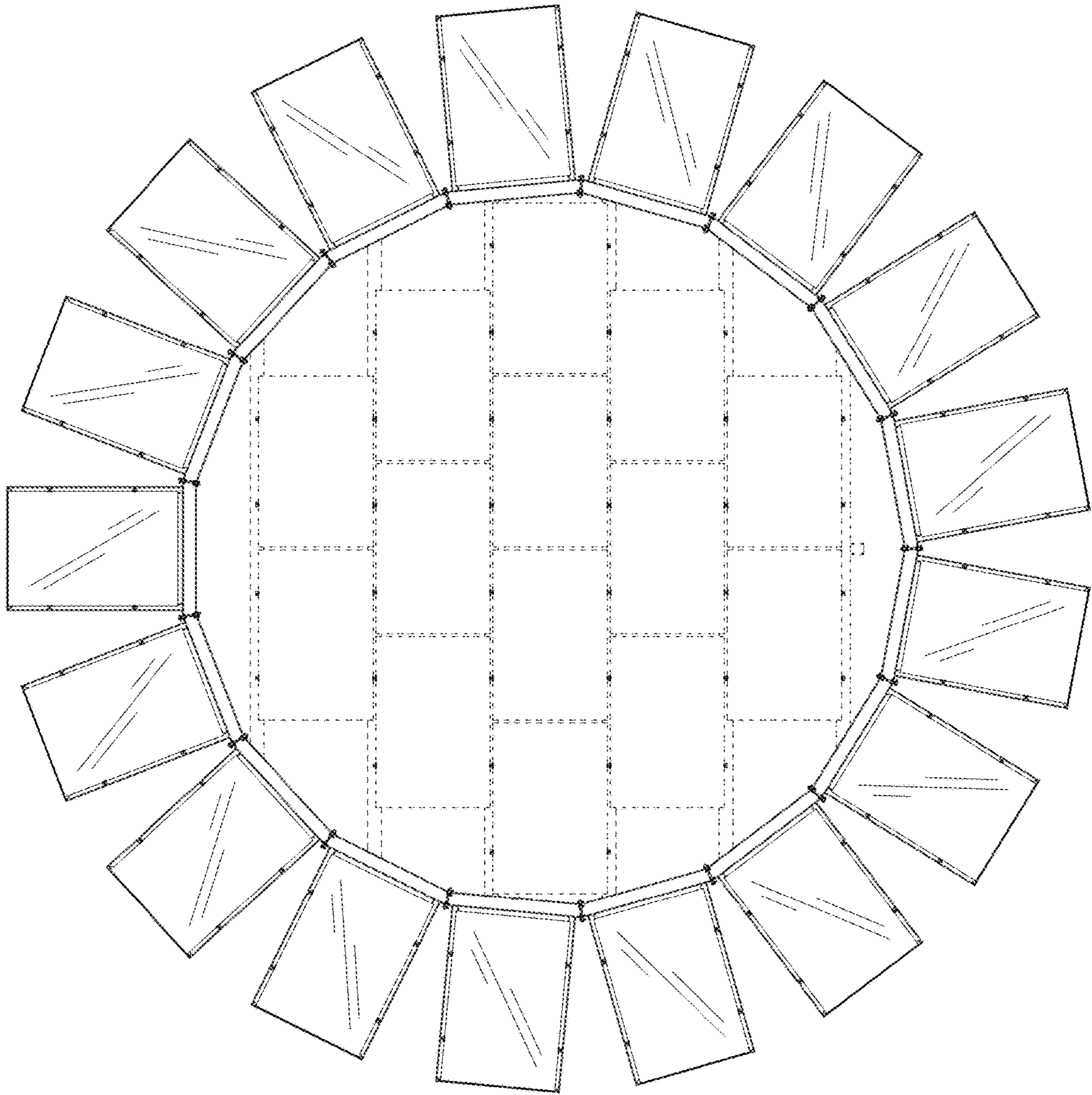


FIG. 27

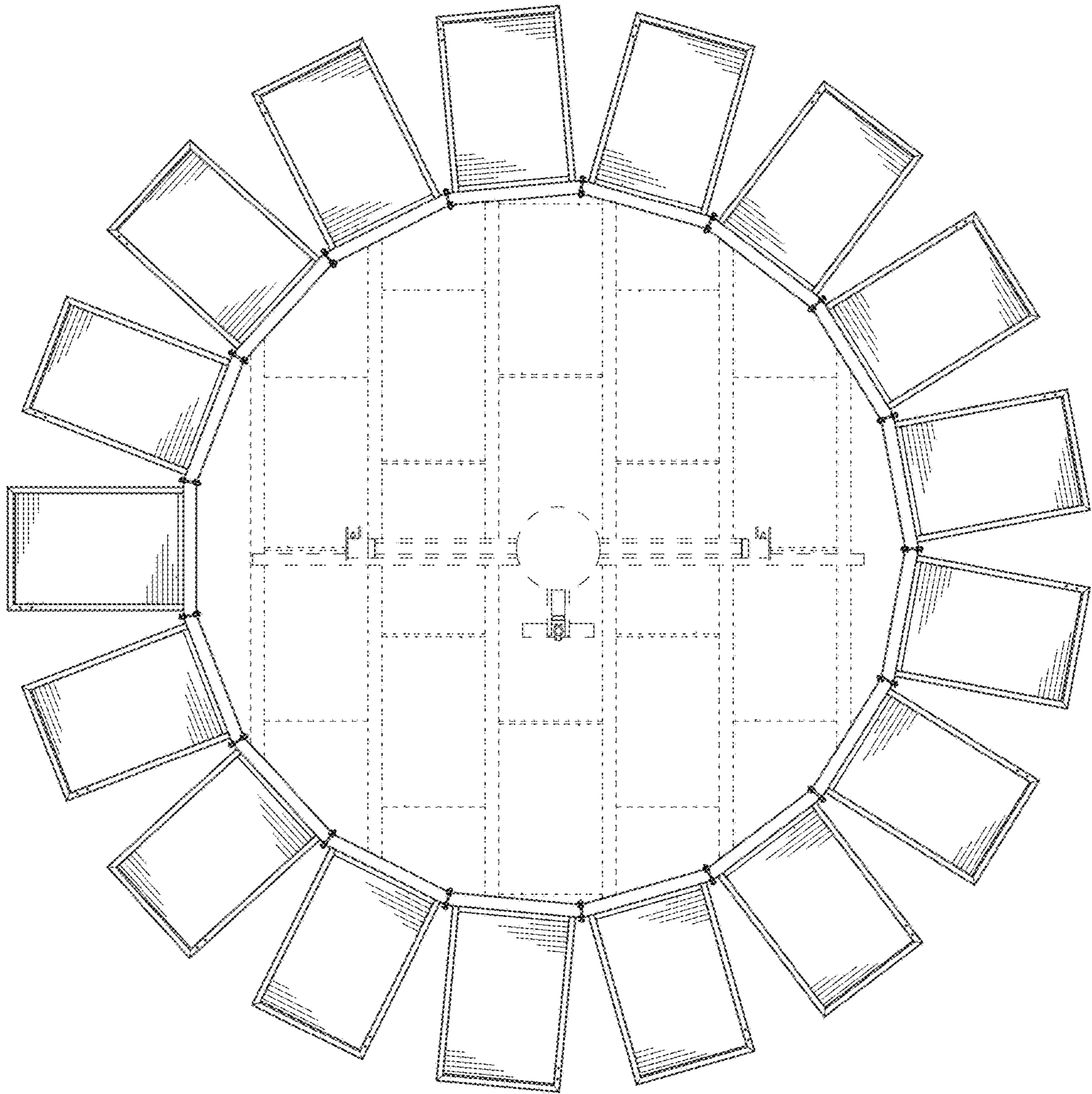


FIG. 28

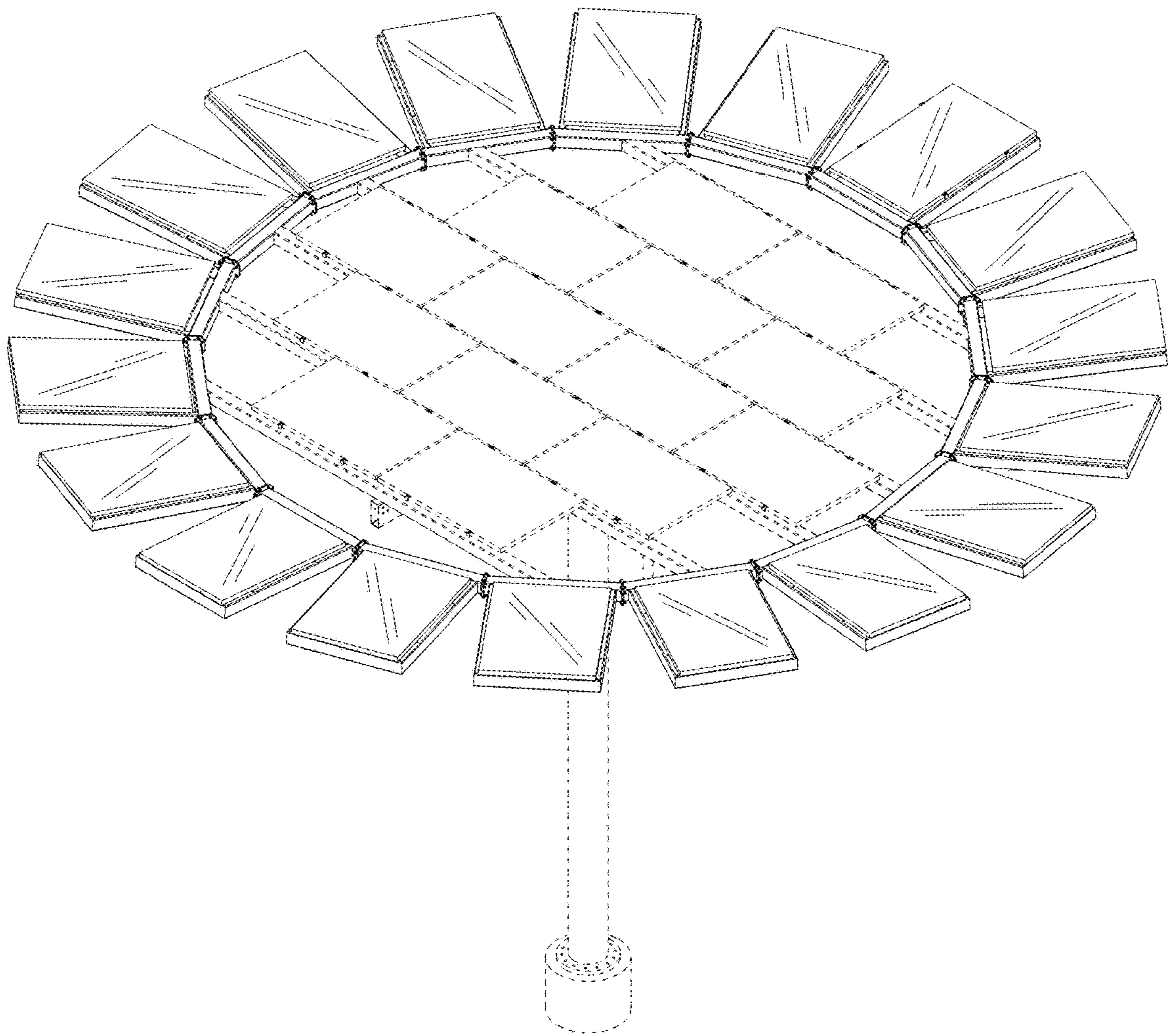


FIG. 29



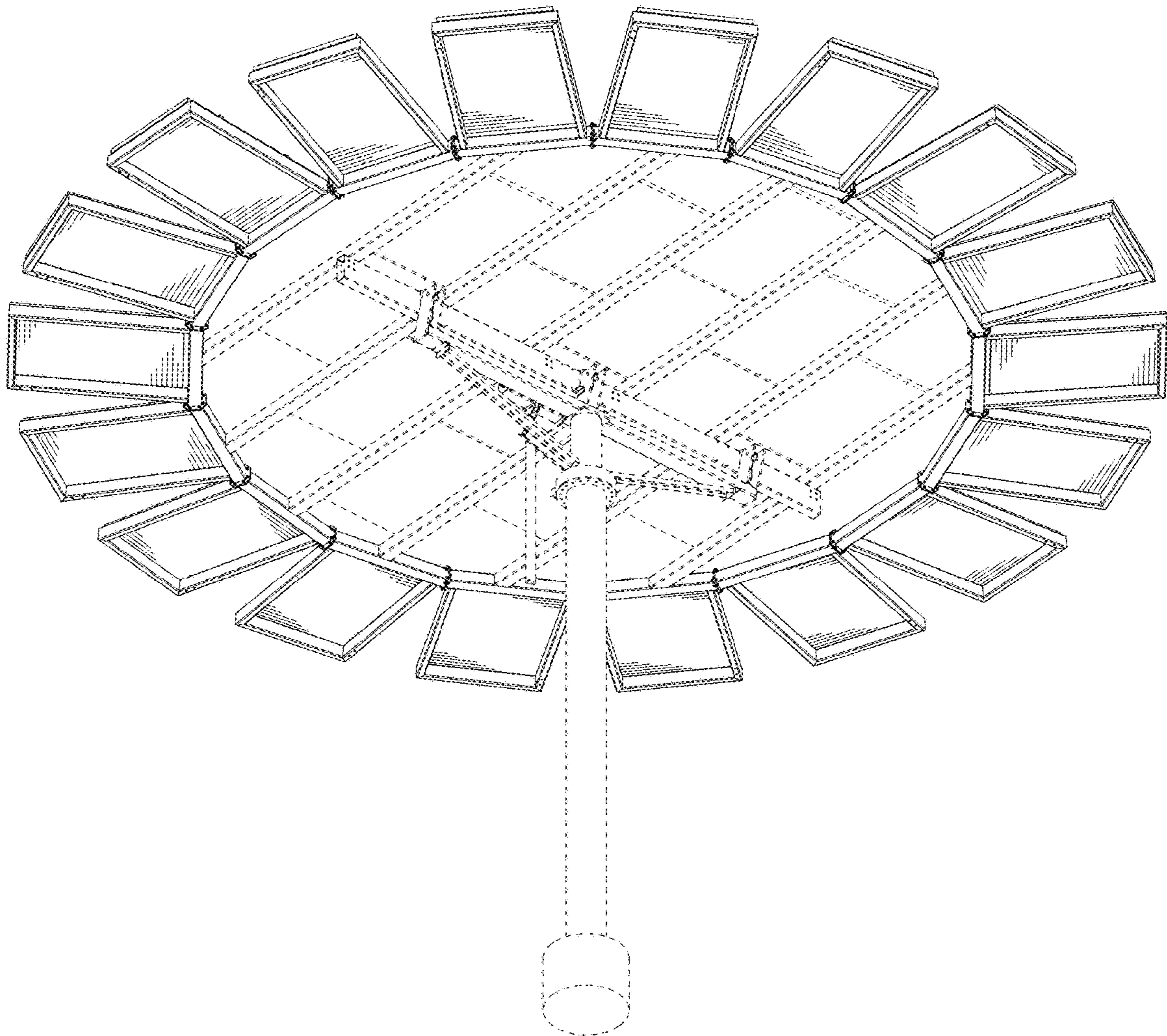


FIG. 30



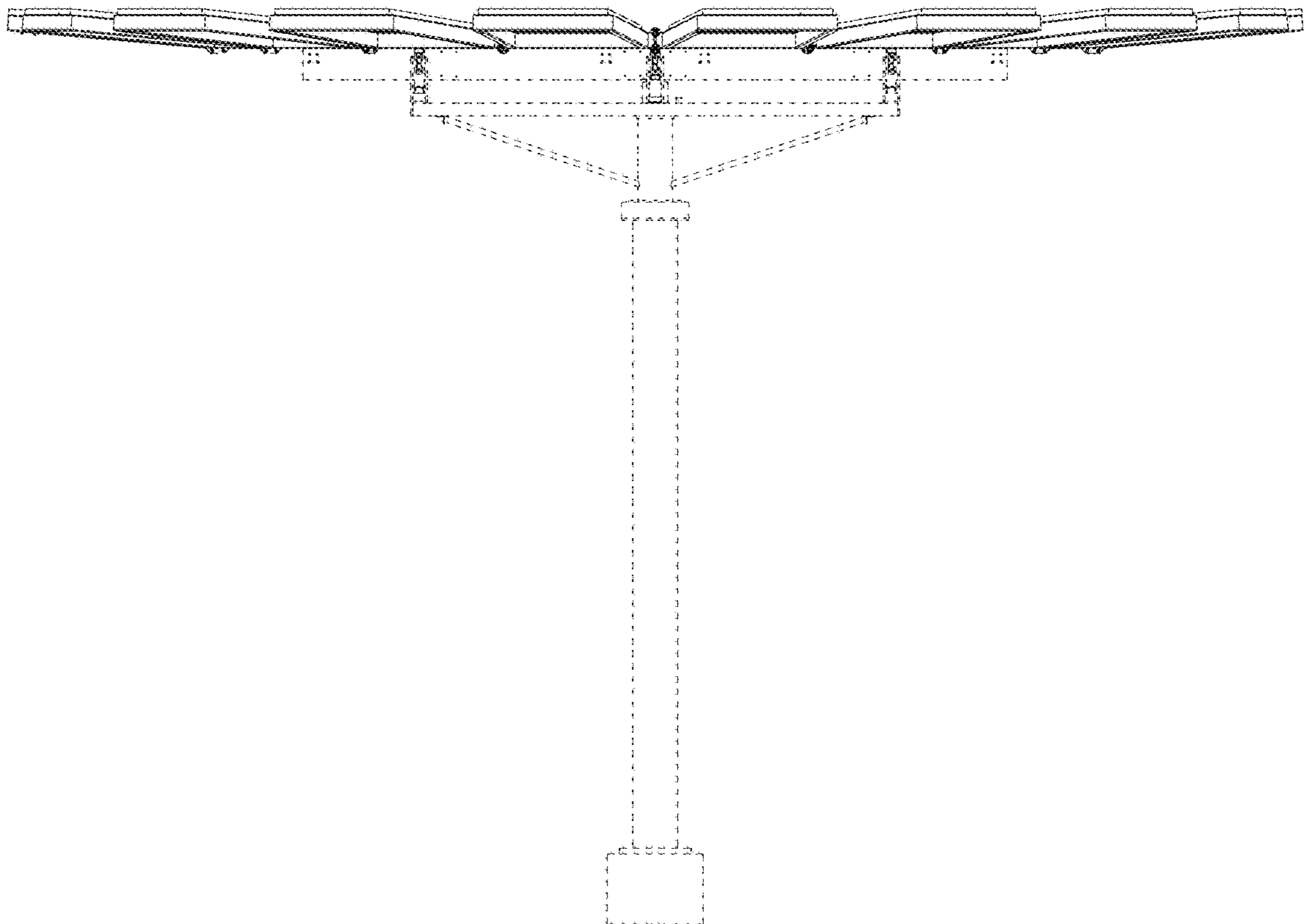


FIG. 31

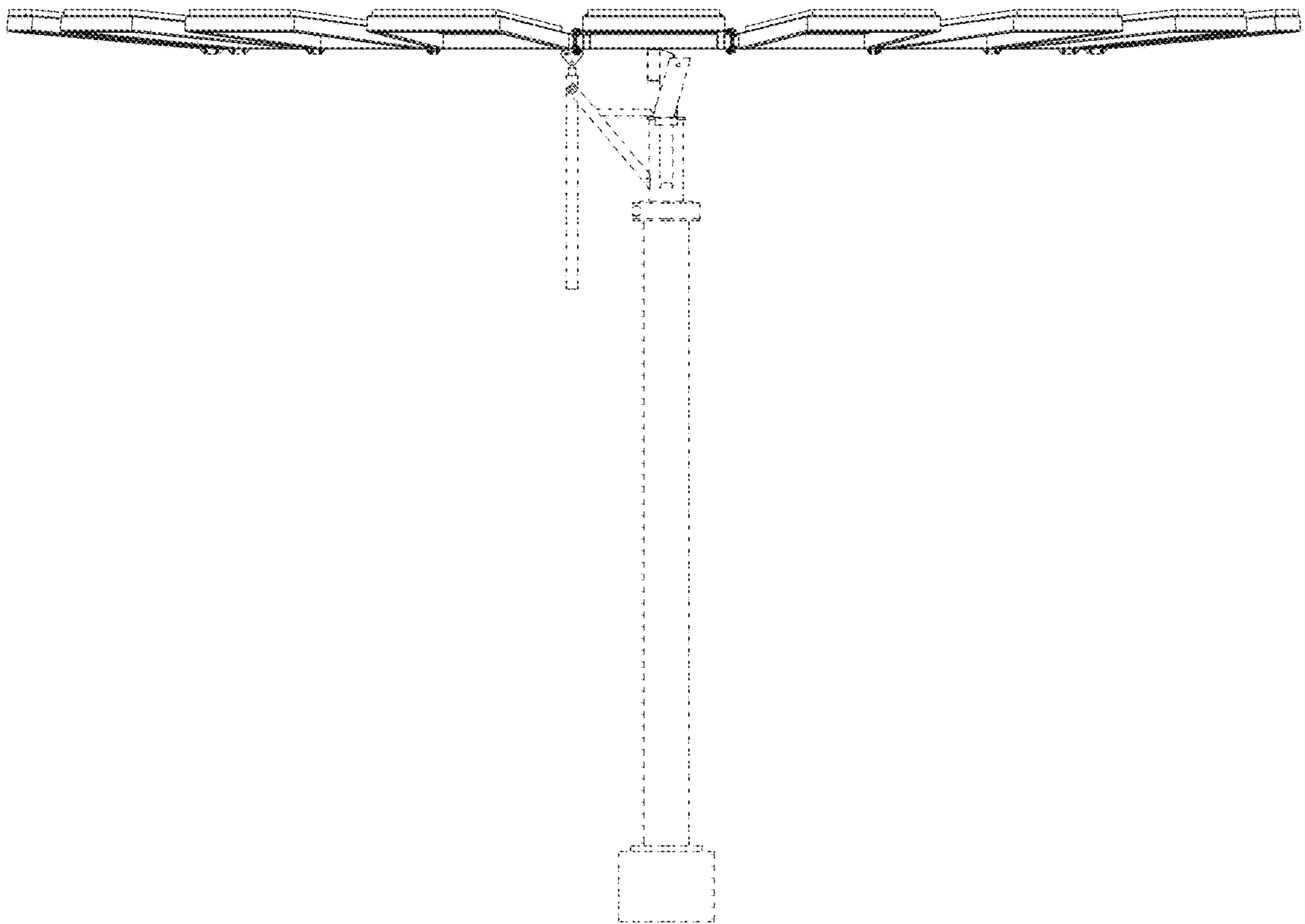


FIG. 32

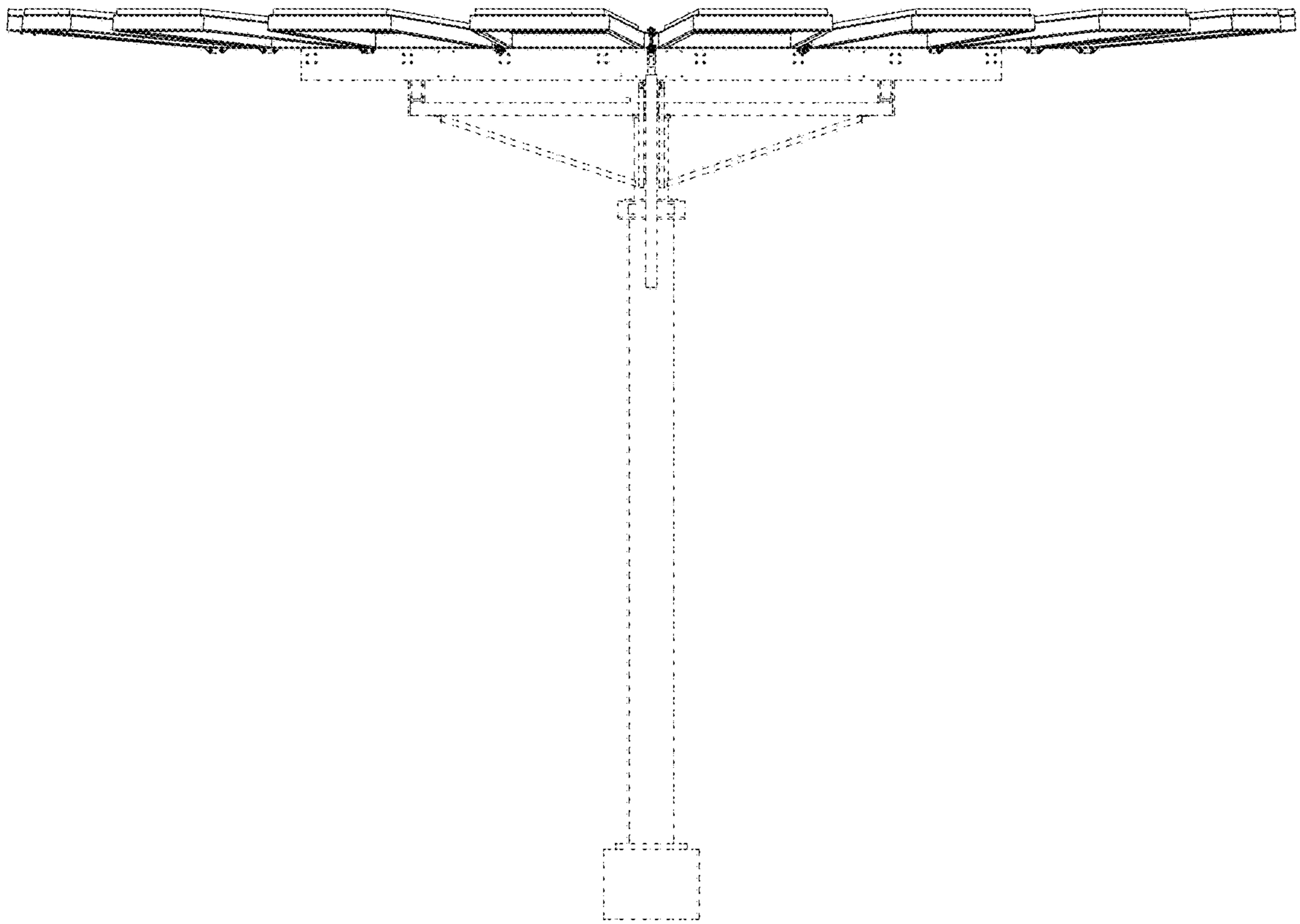


FIG. 33

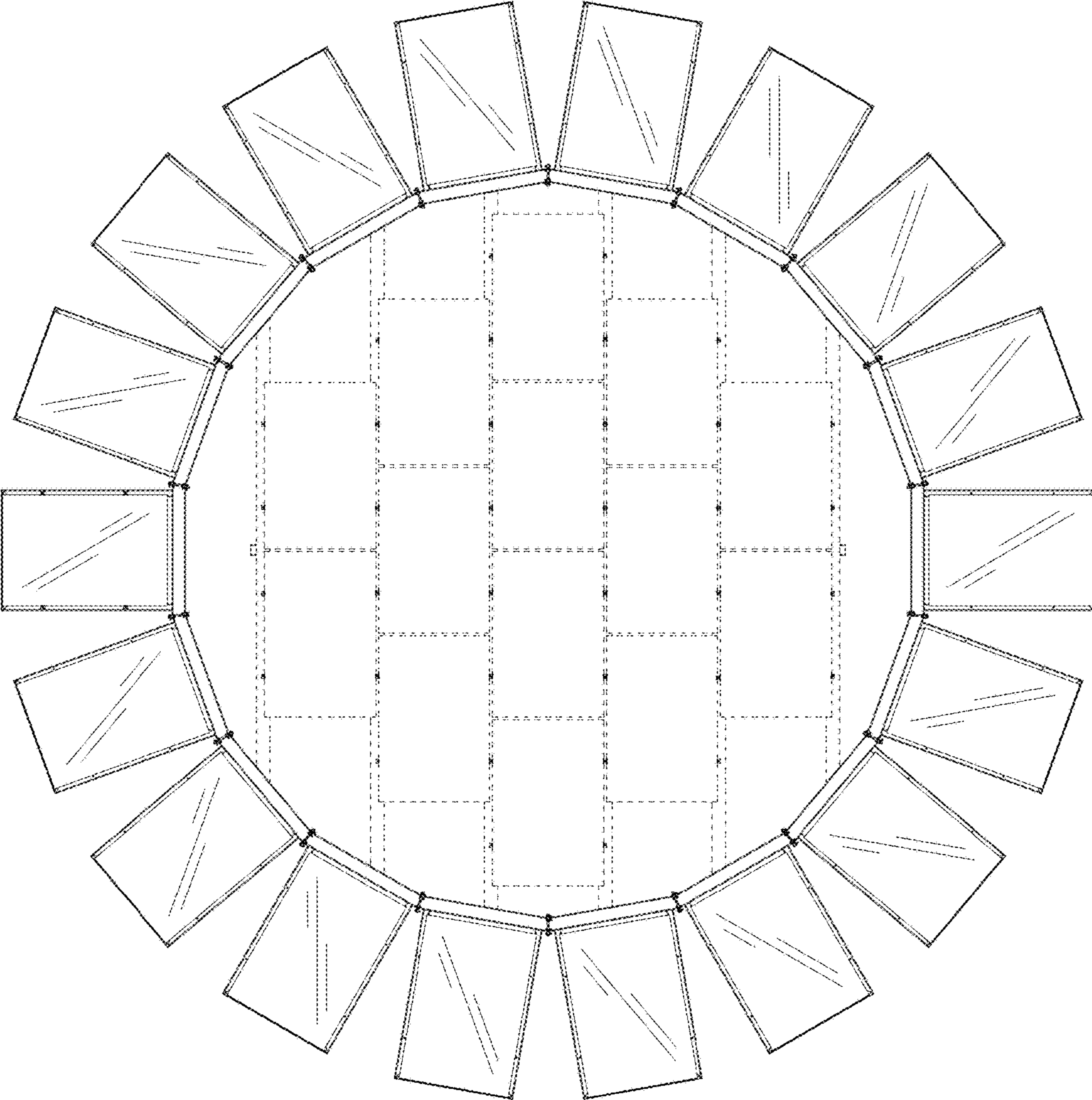


FIG. 34



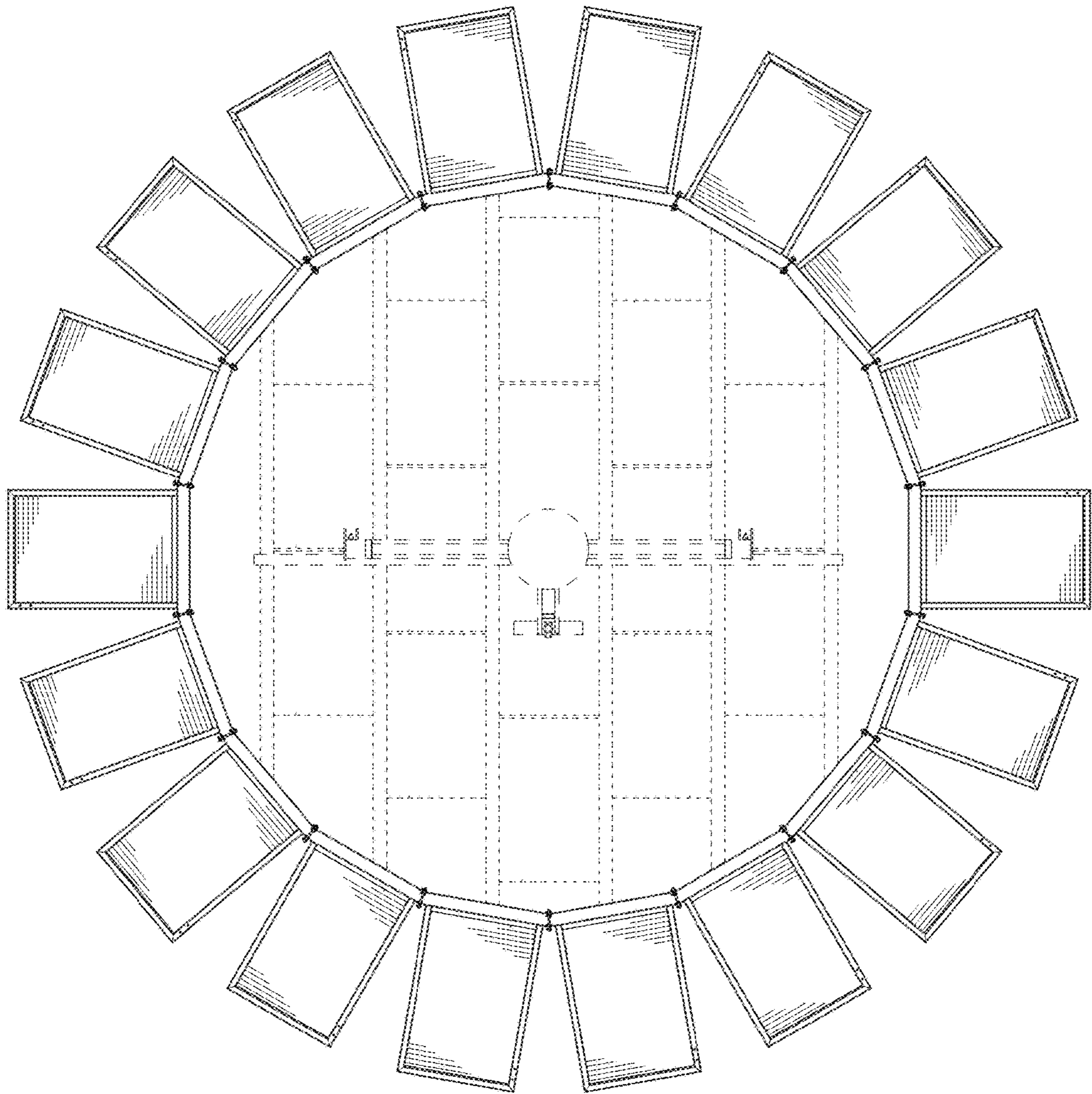


FIG. 35

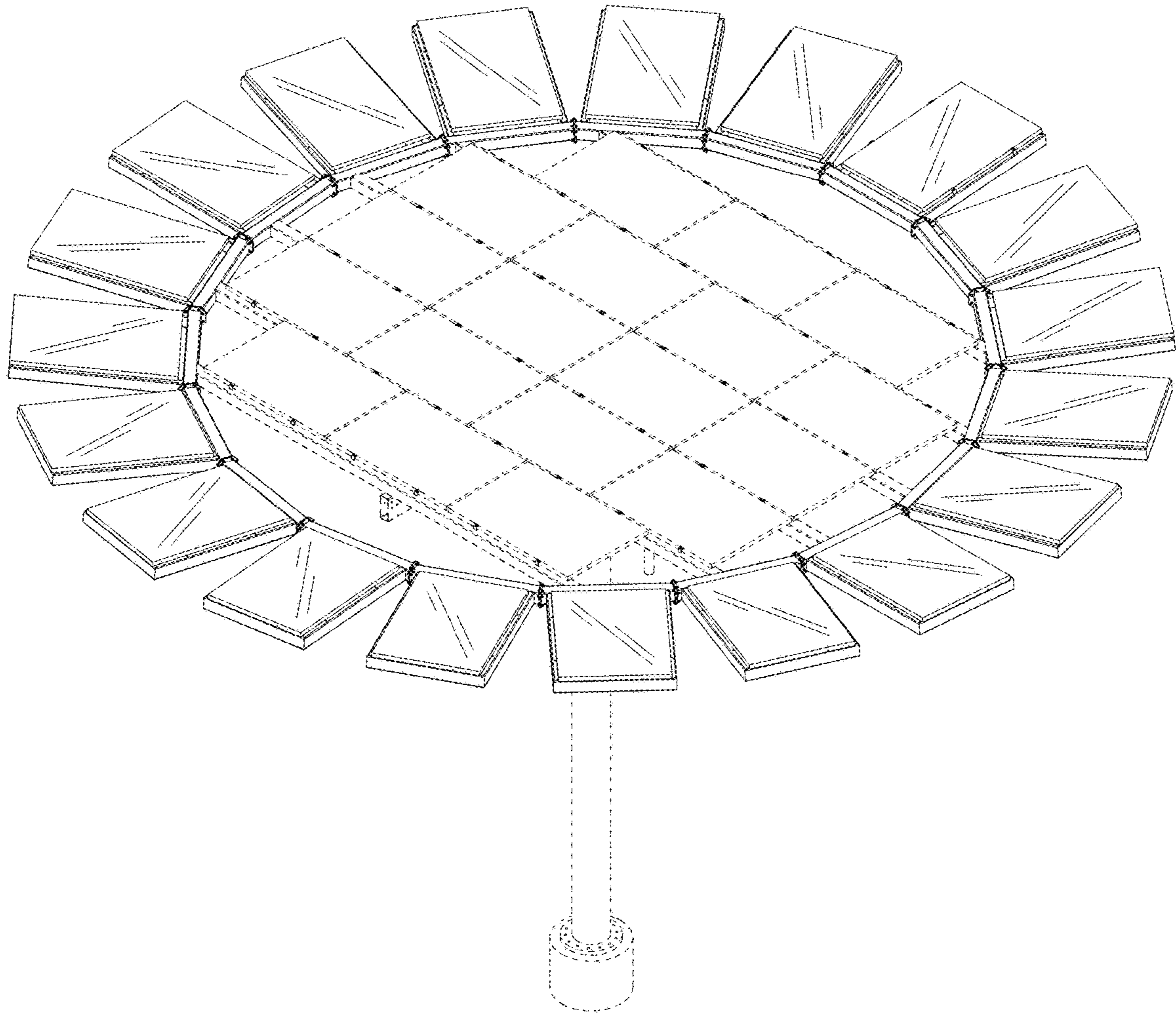


FIG. 36

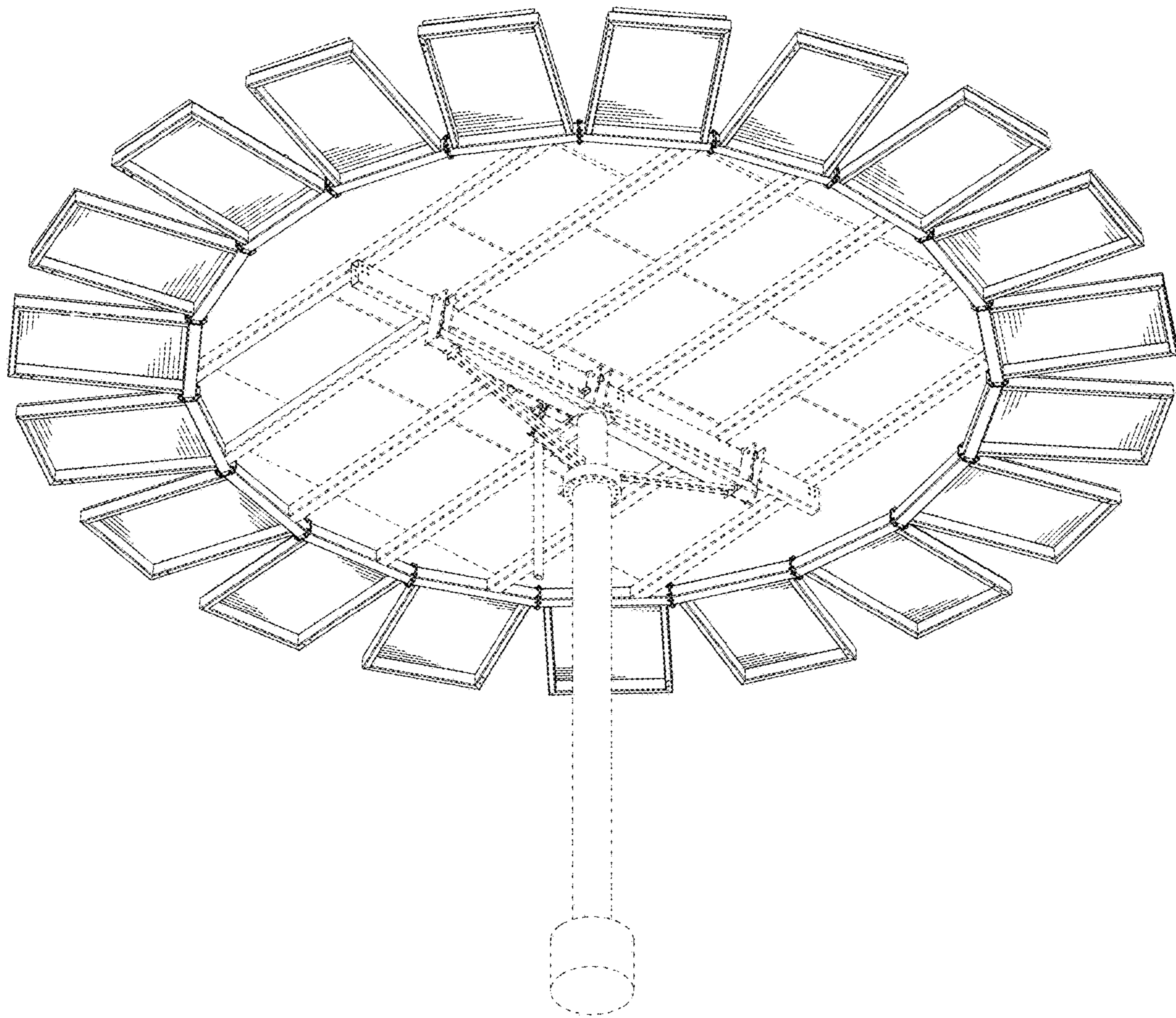


FIG. 37



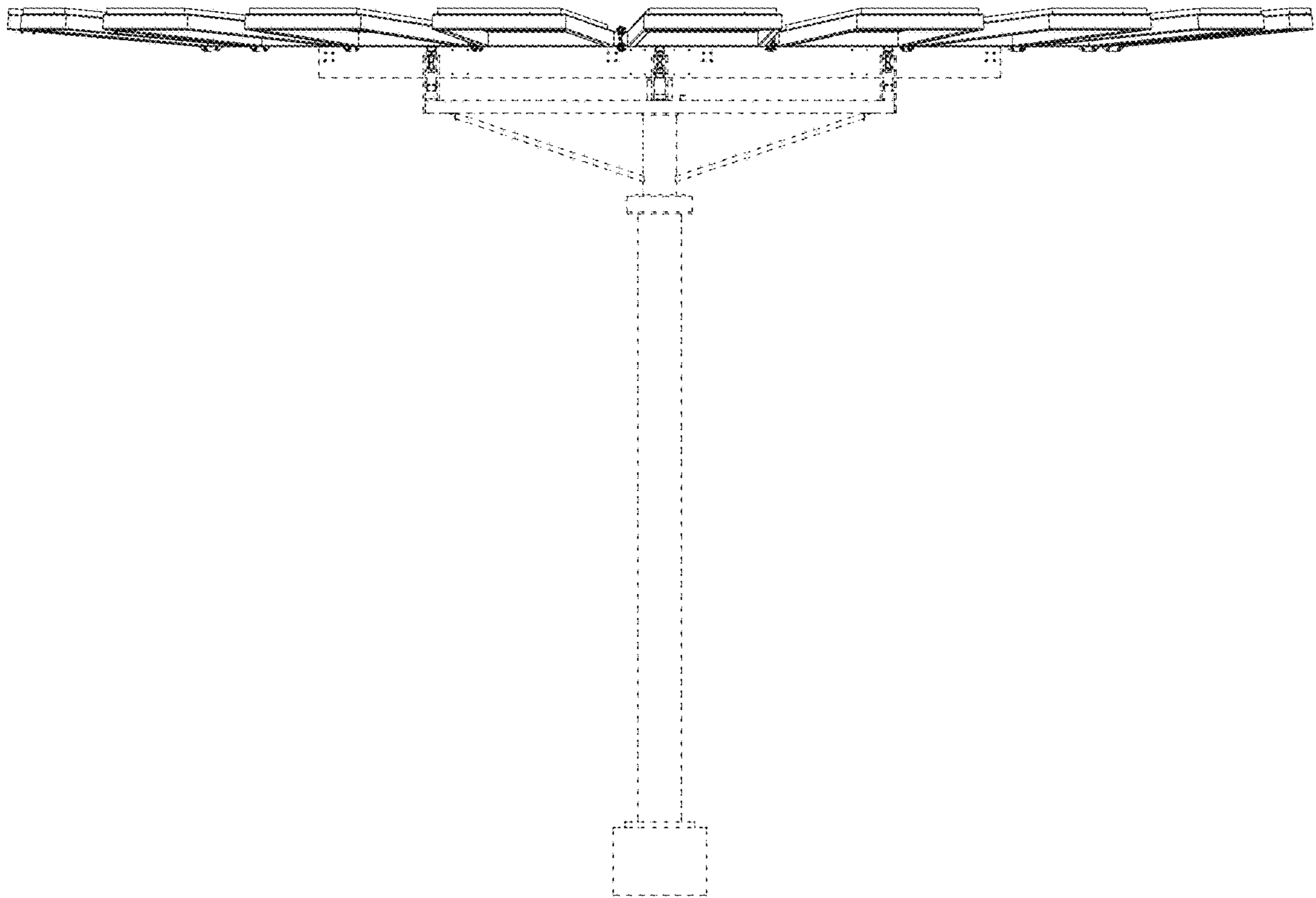


FIG. 38



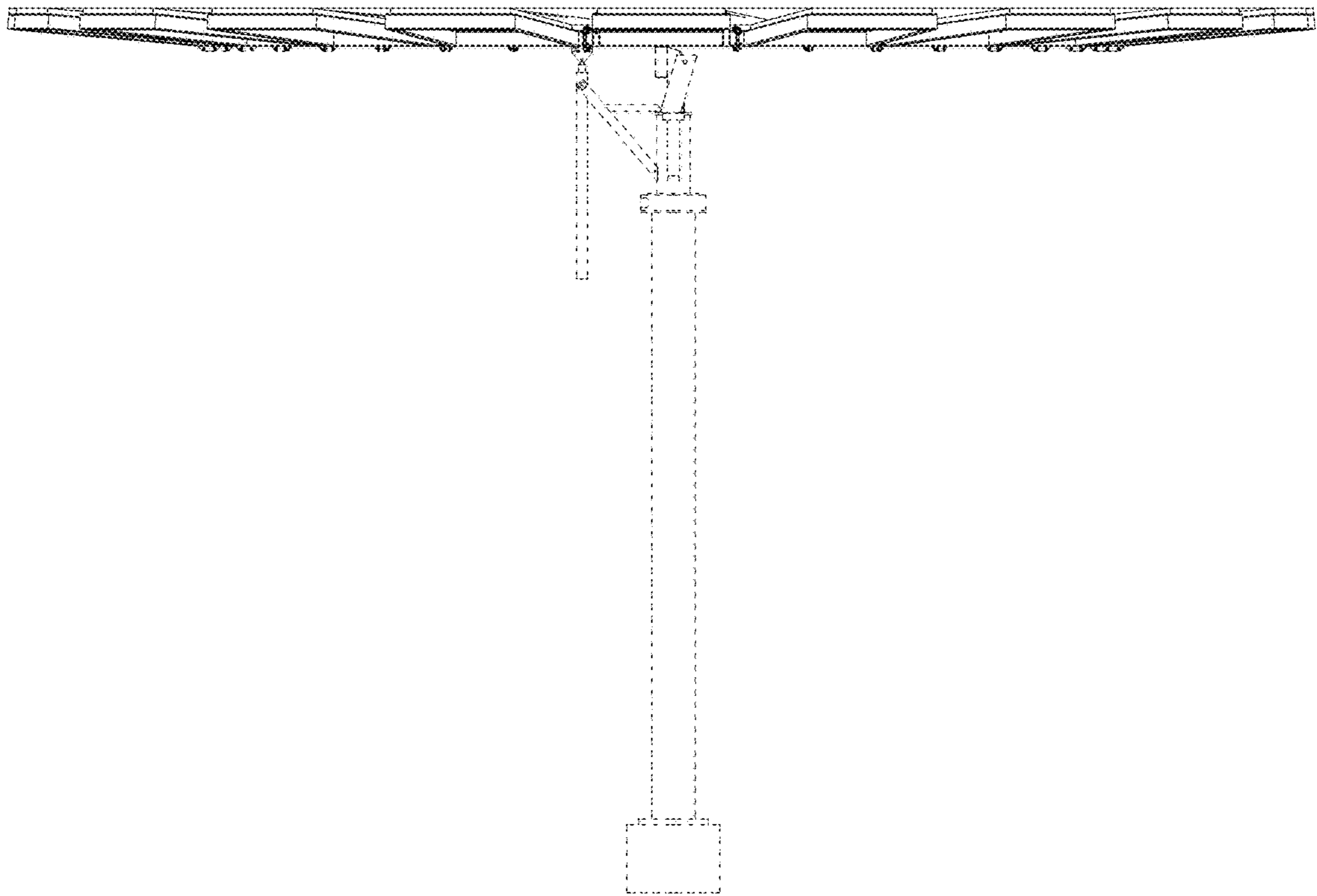


FIG. 39

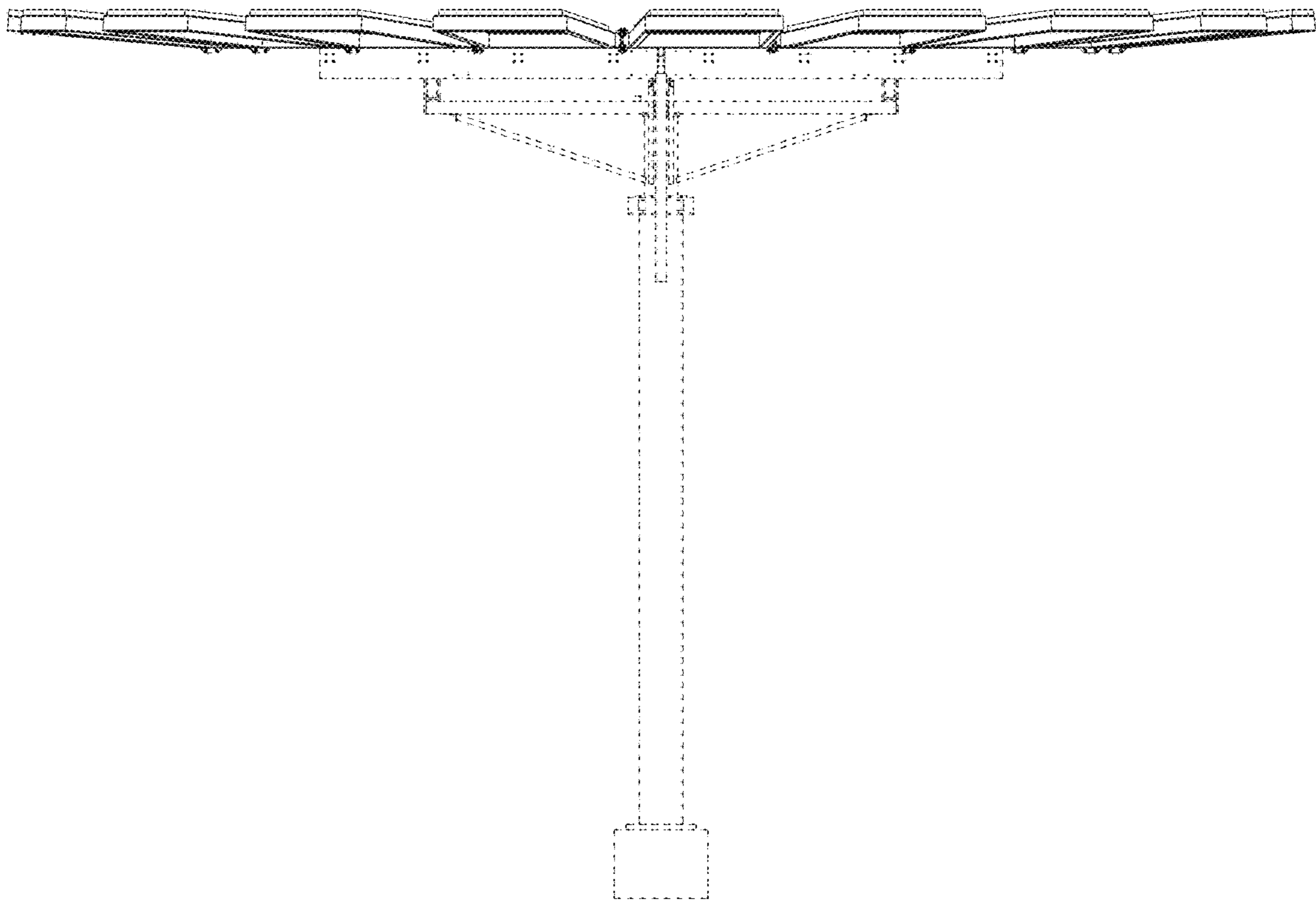


FIG. 40

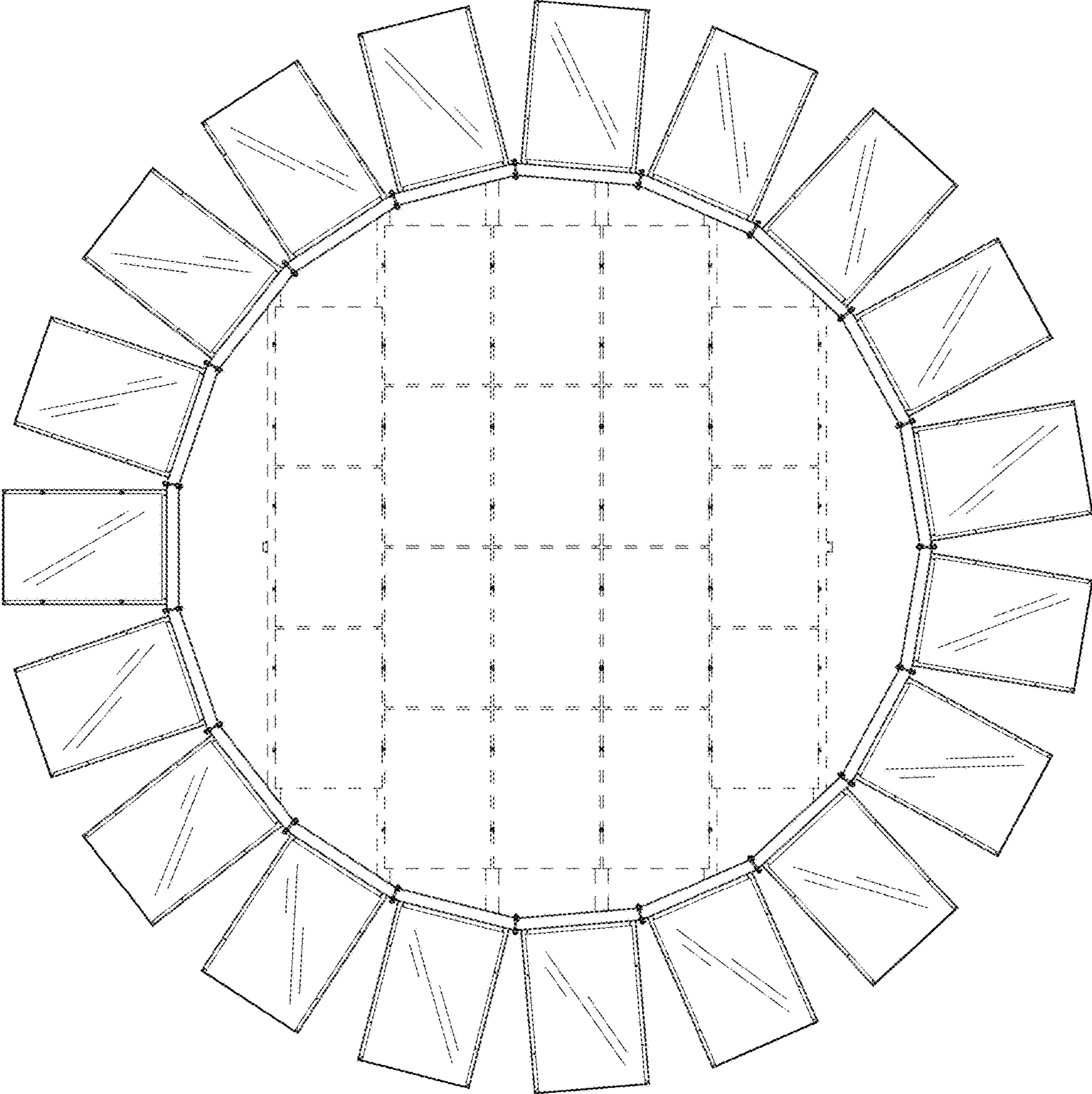


FIG. 41

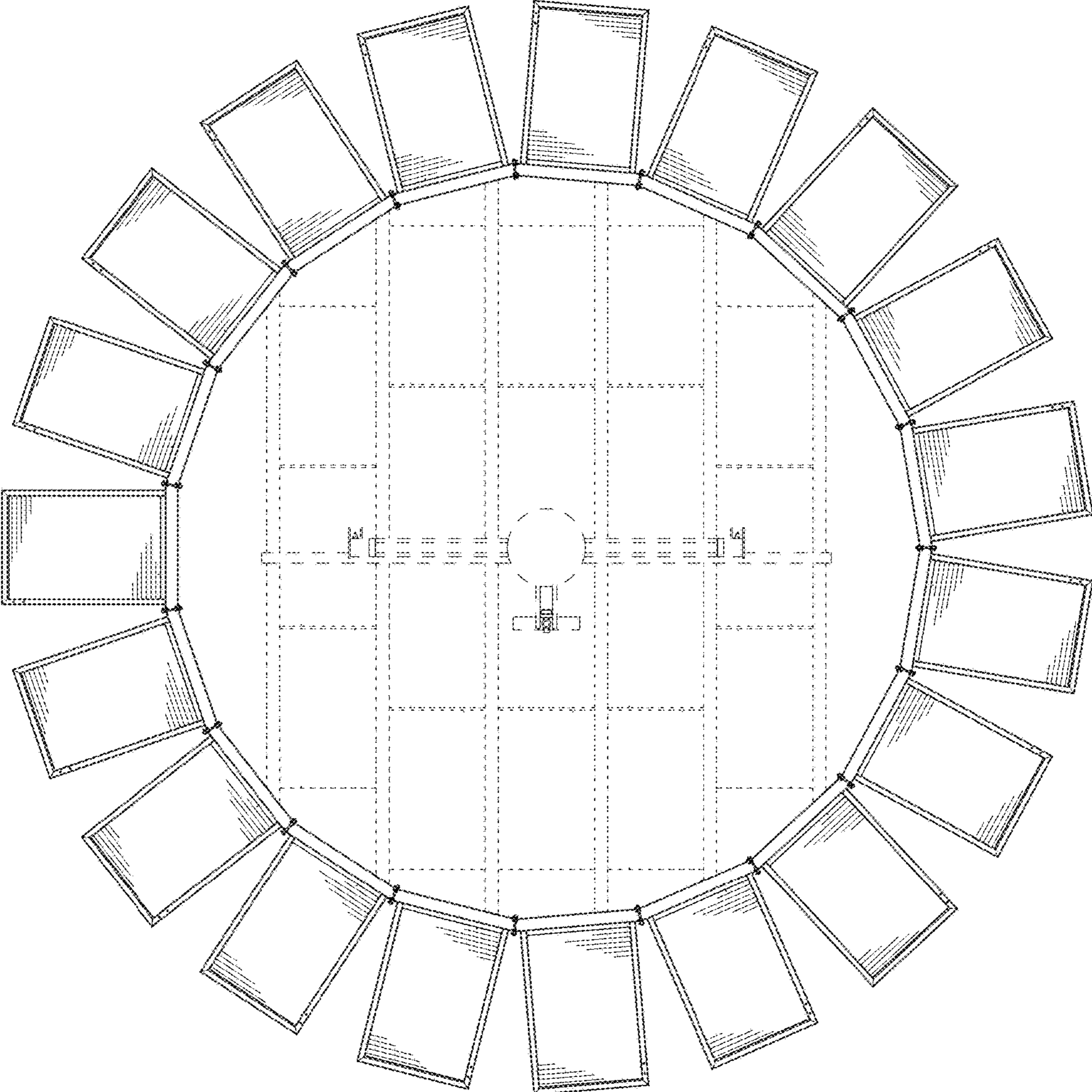


FIG. 42



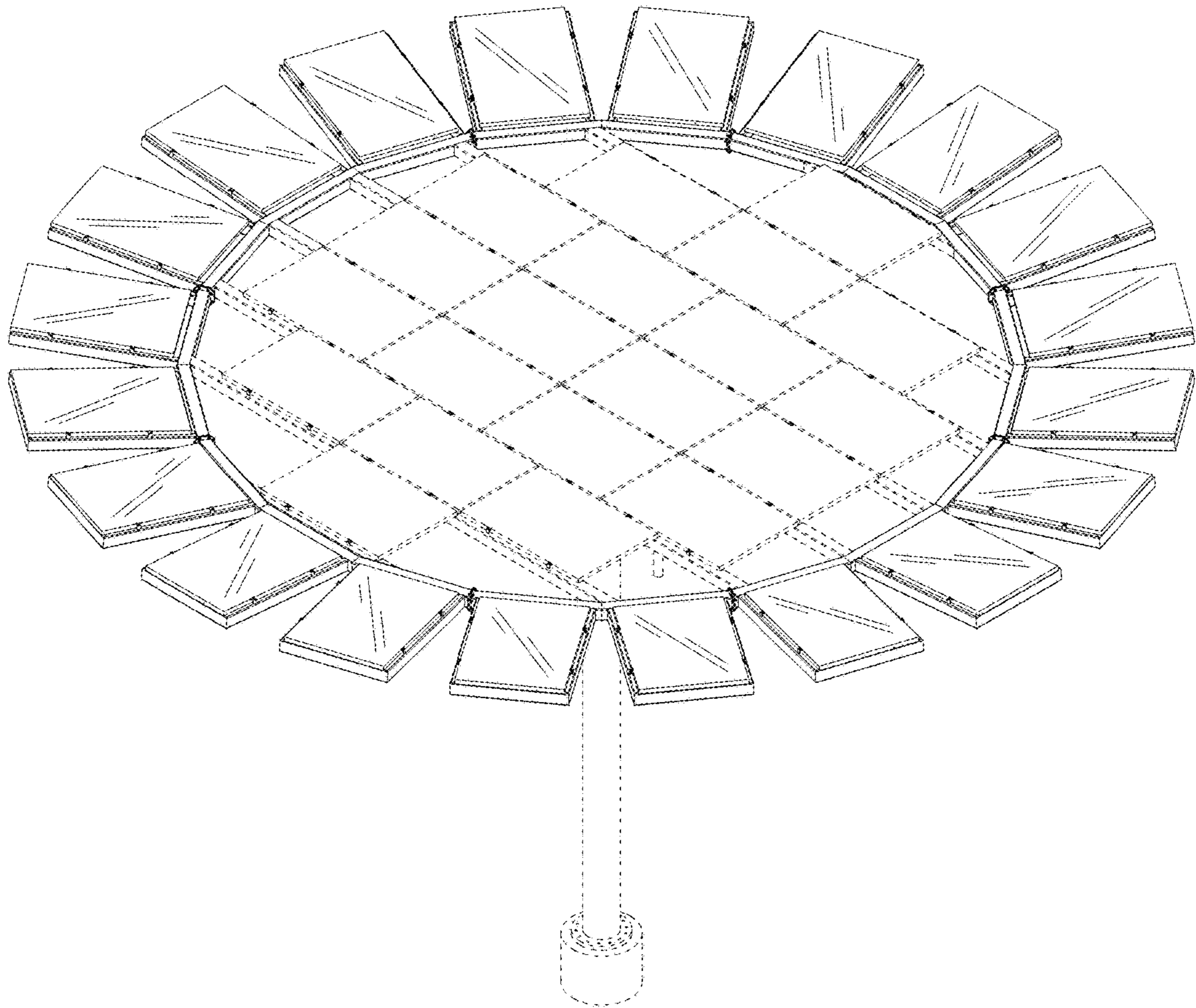


FIG. 43

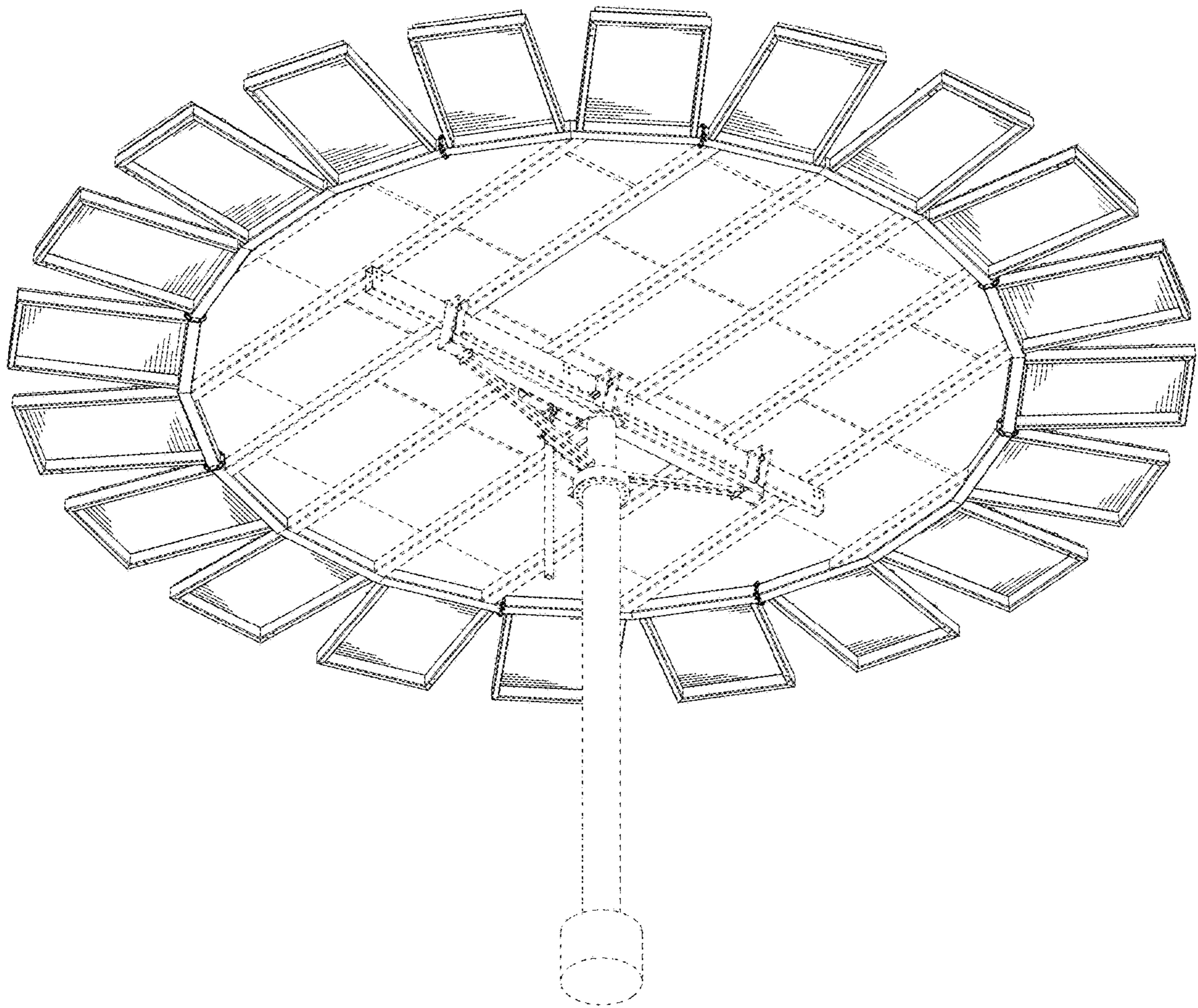


FIG. 44

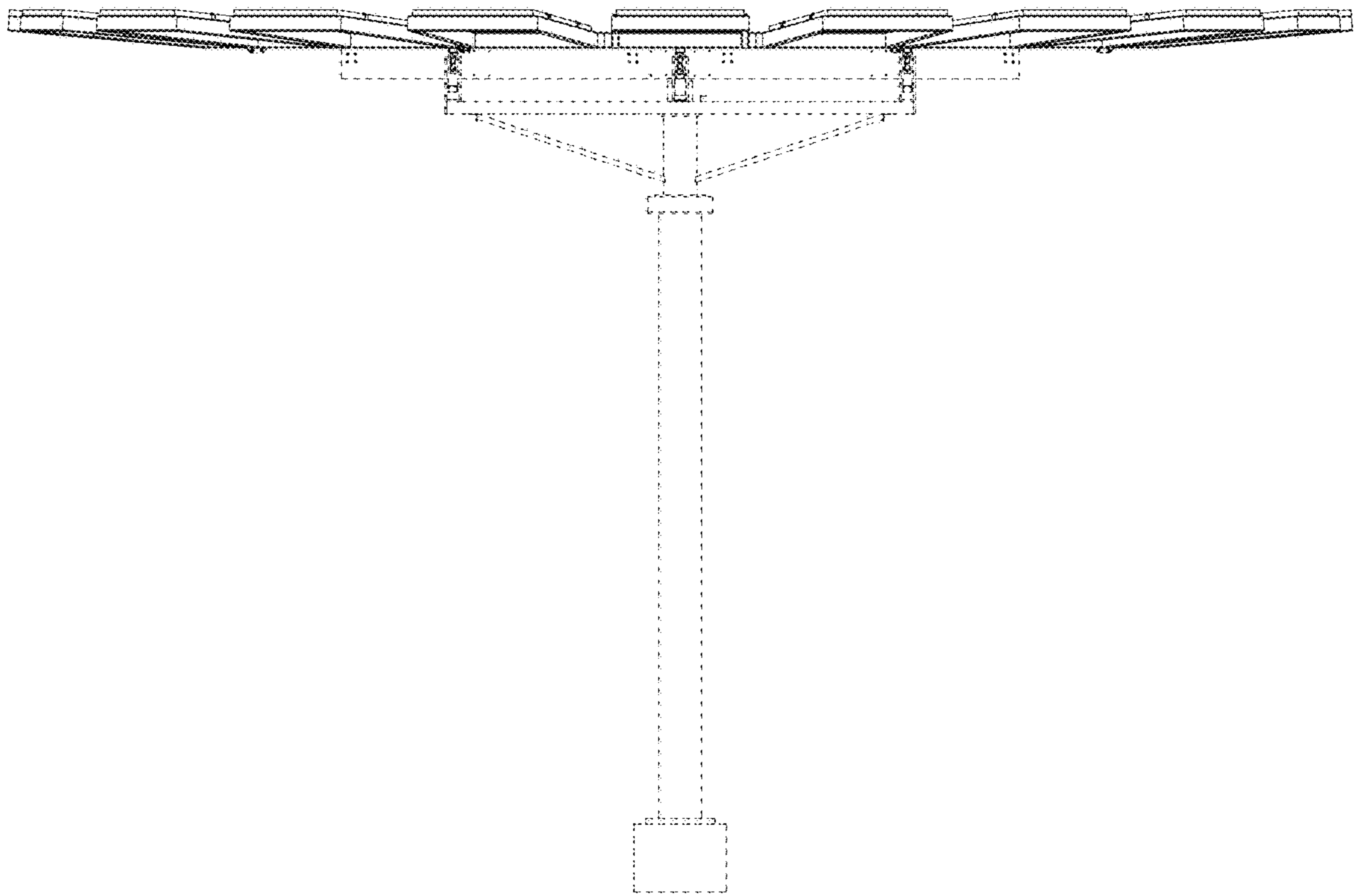


FIG. 45

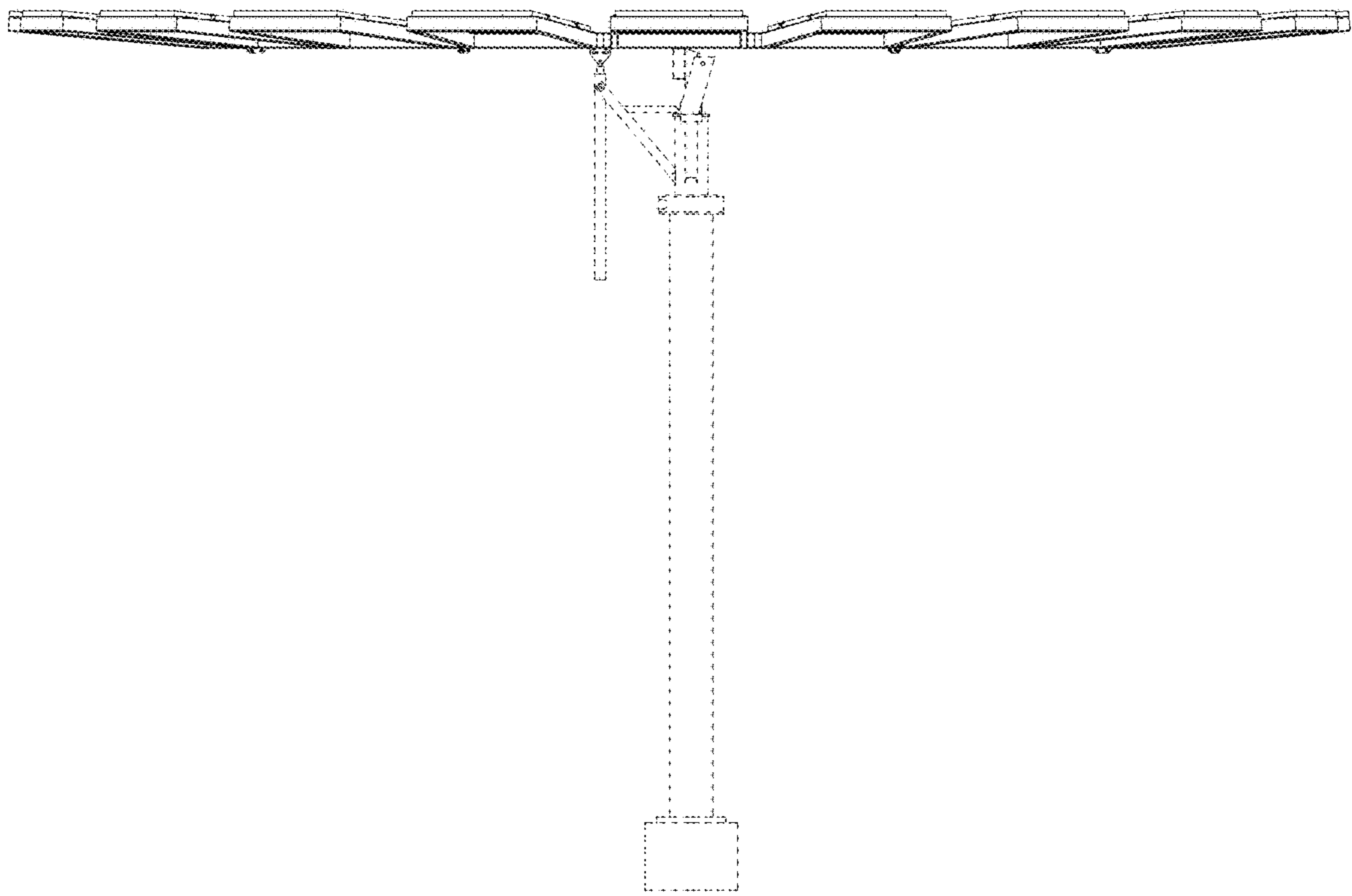


FIG. 46



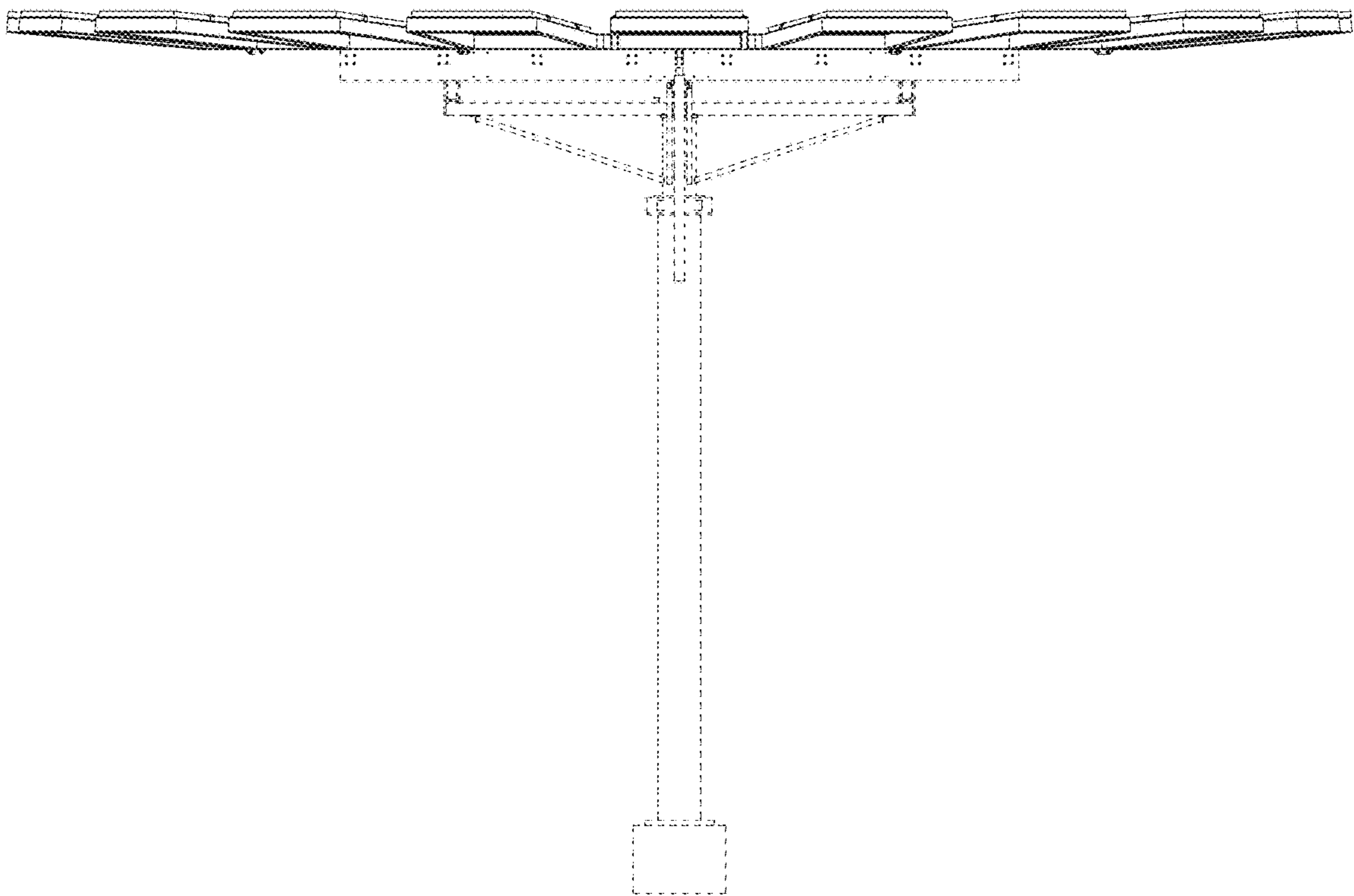


FIG. 47

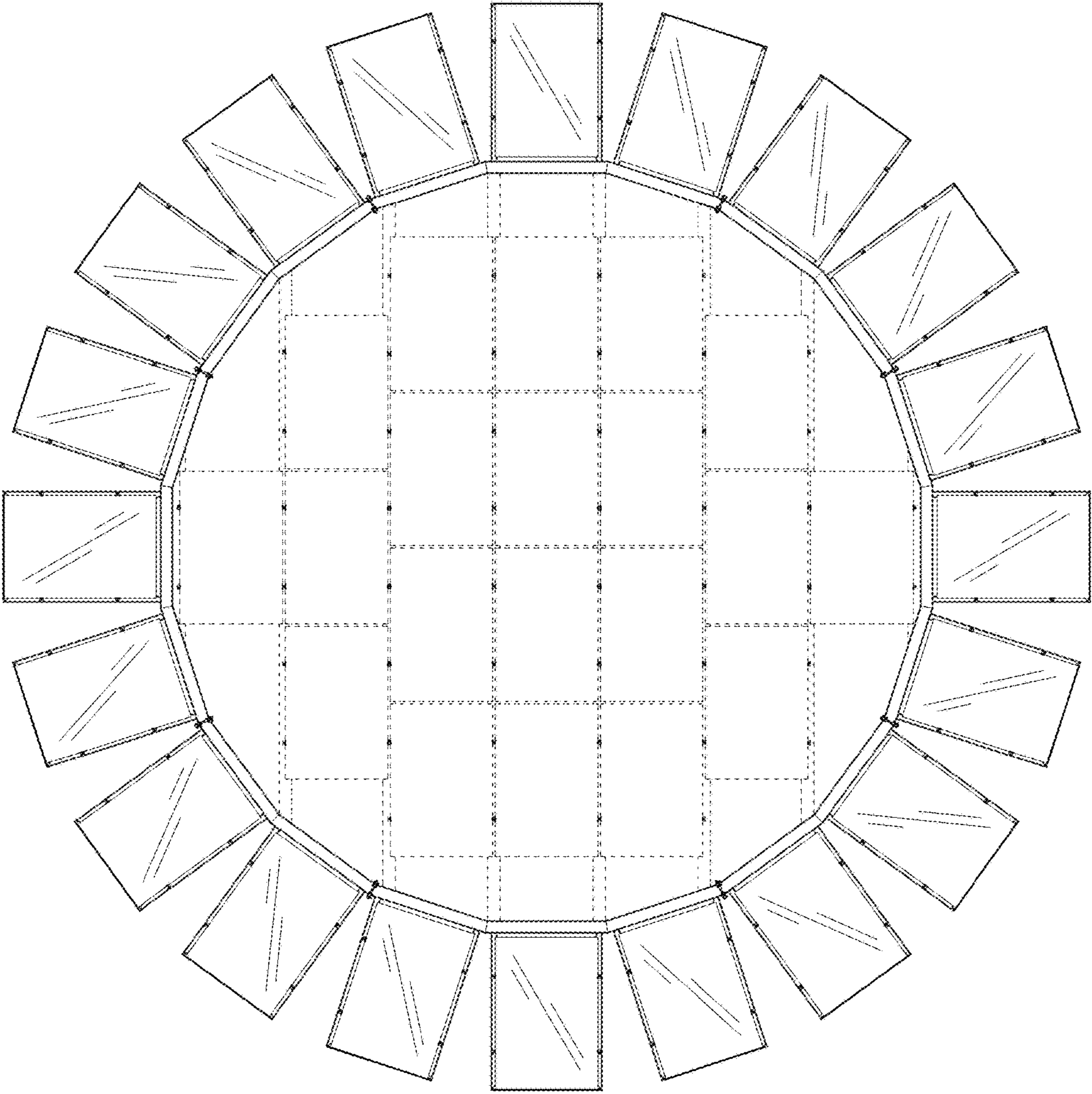


FIG. 48

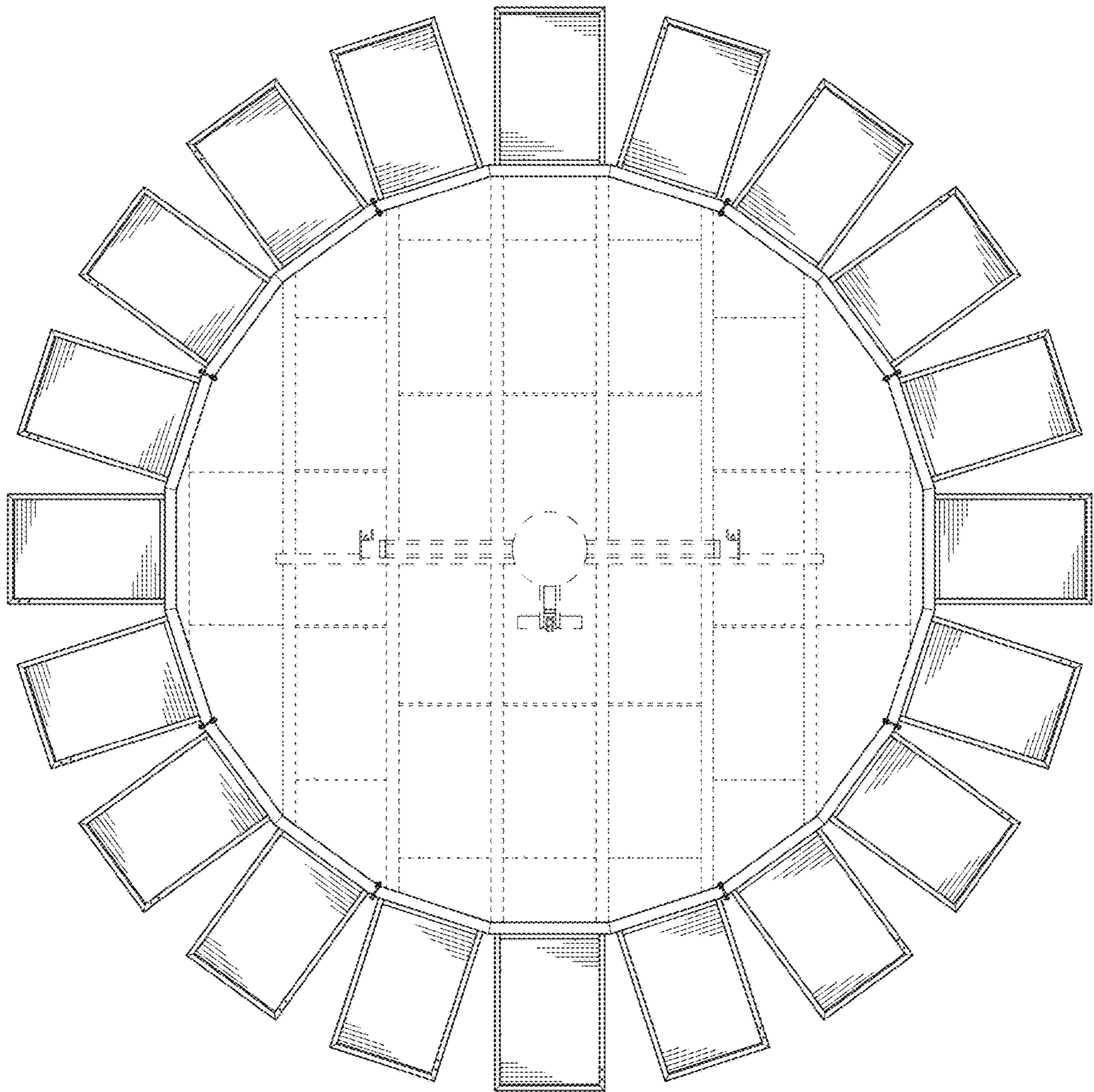


FIG. 49



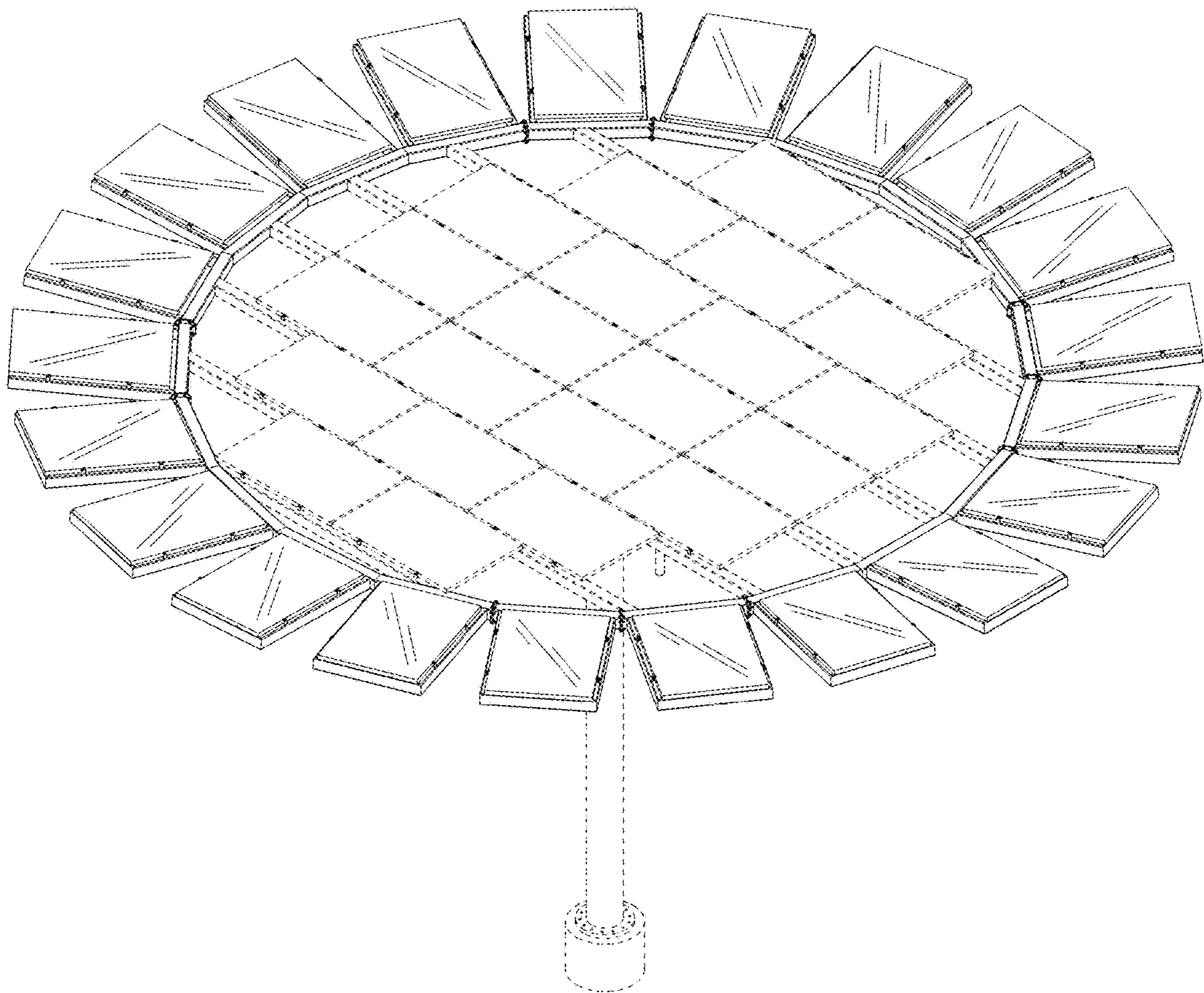


FIG. 50



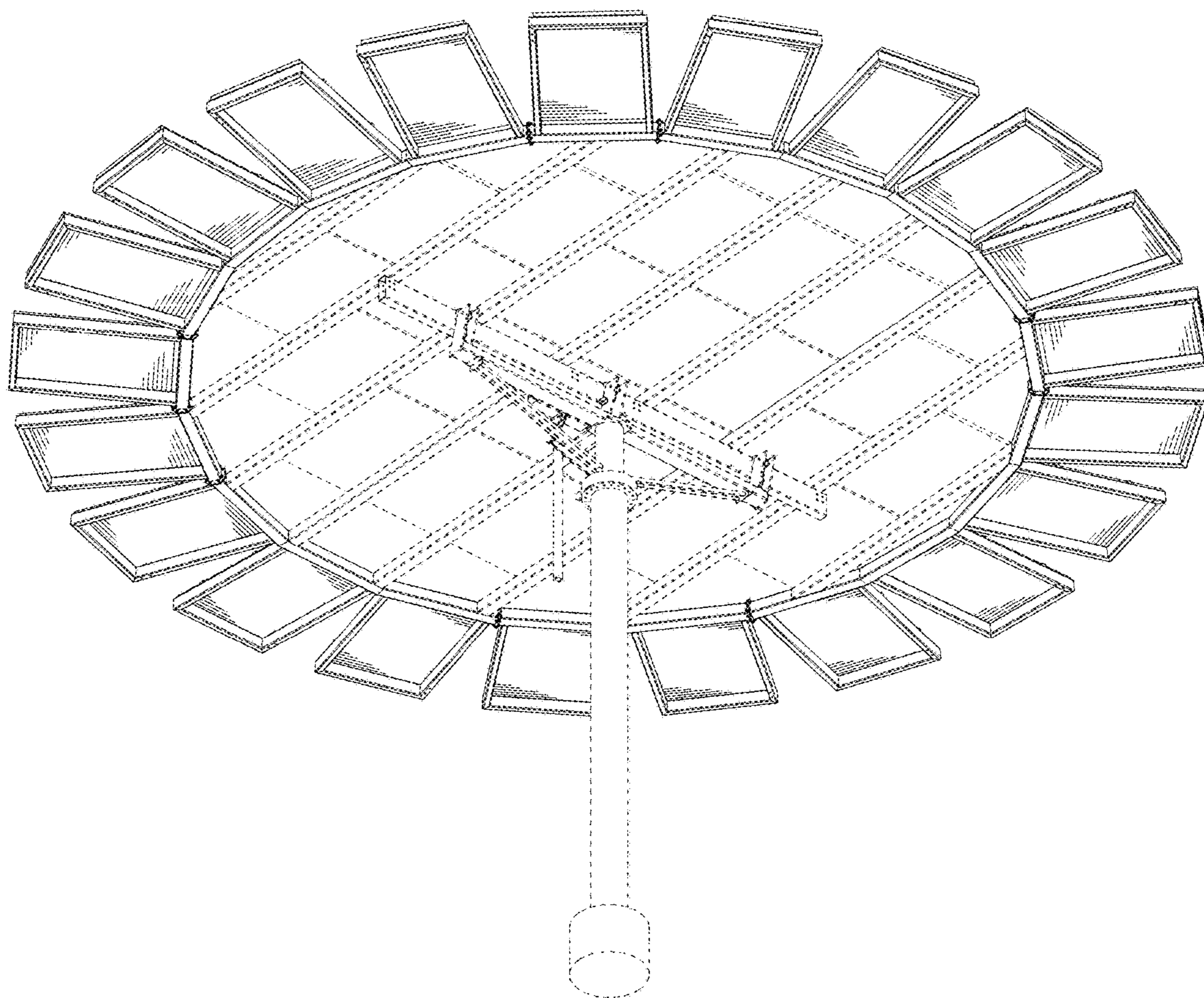


FIG. 51

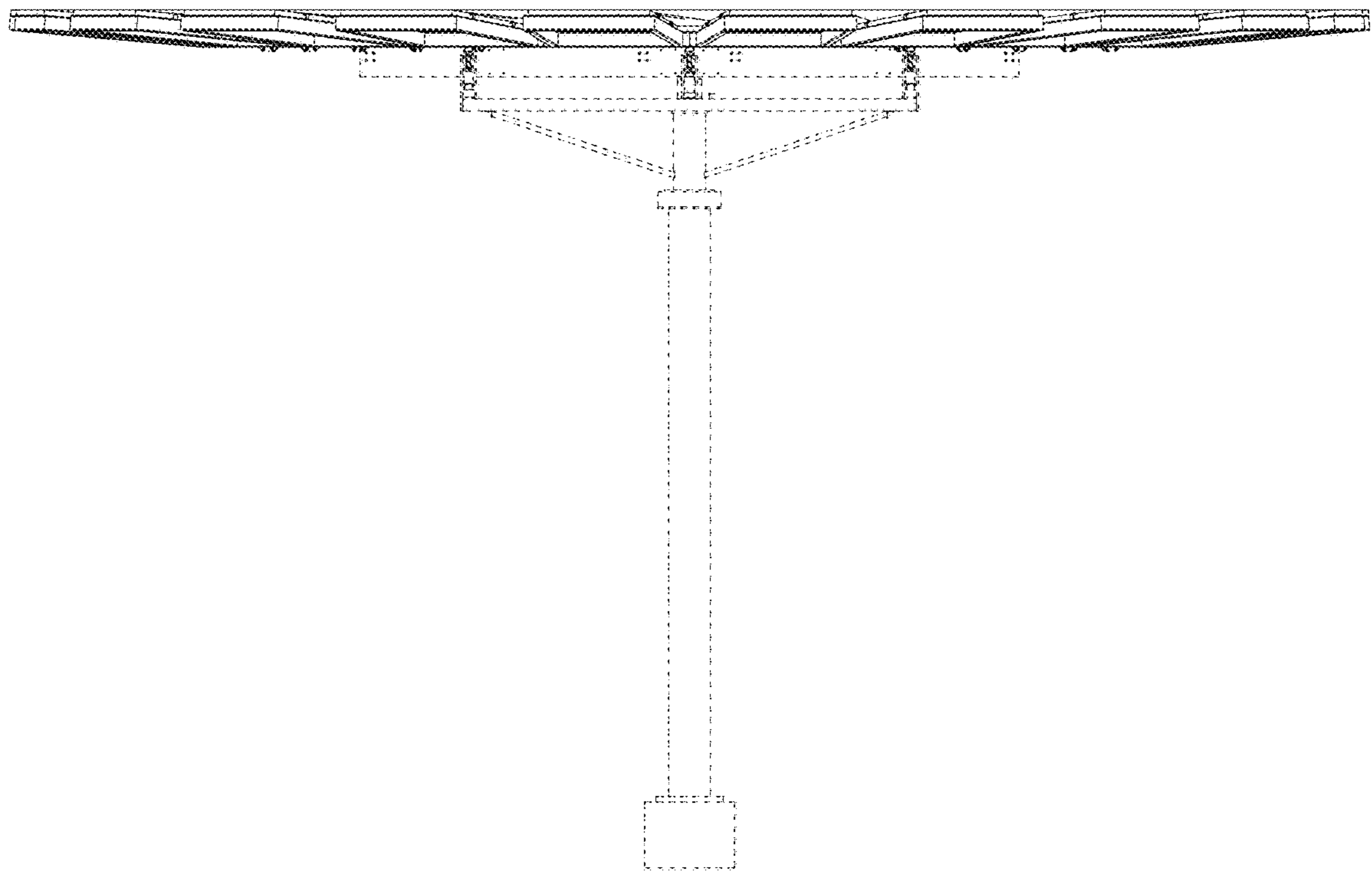


FIG. 52

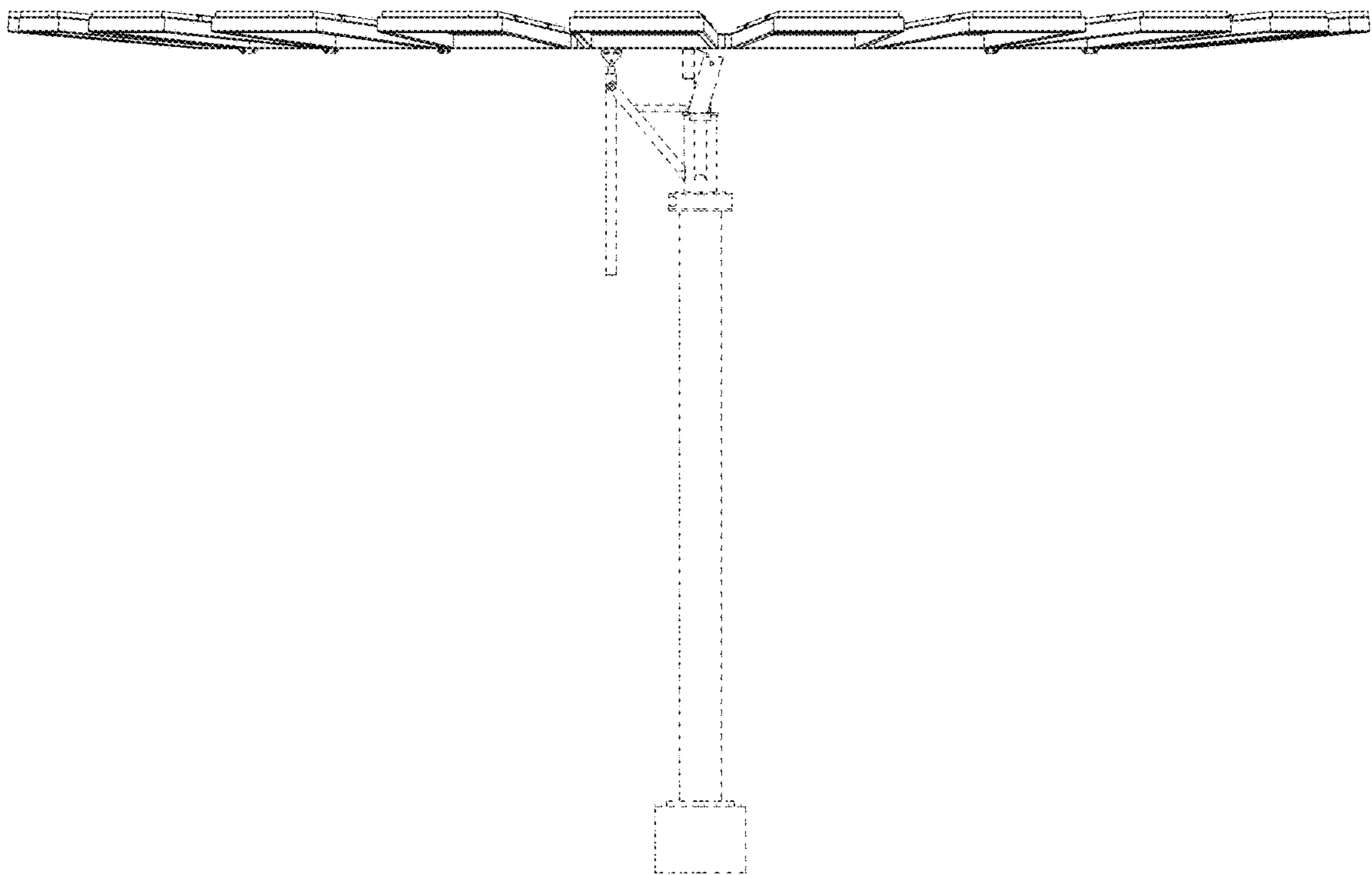


FIG. 53

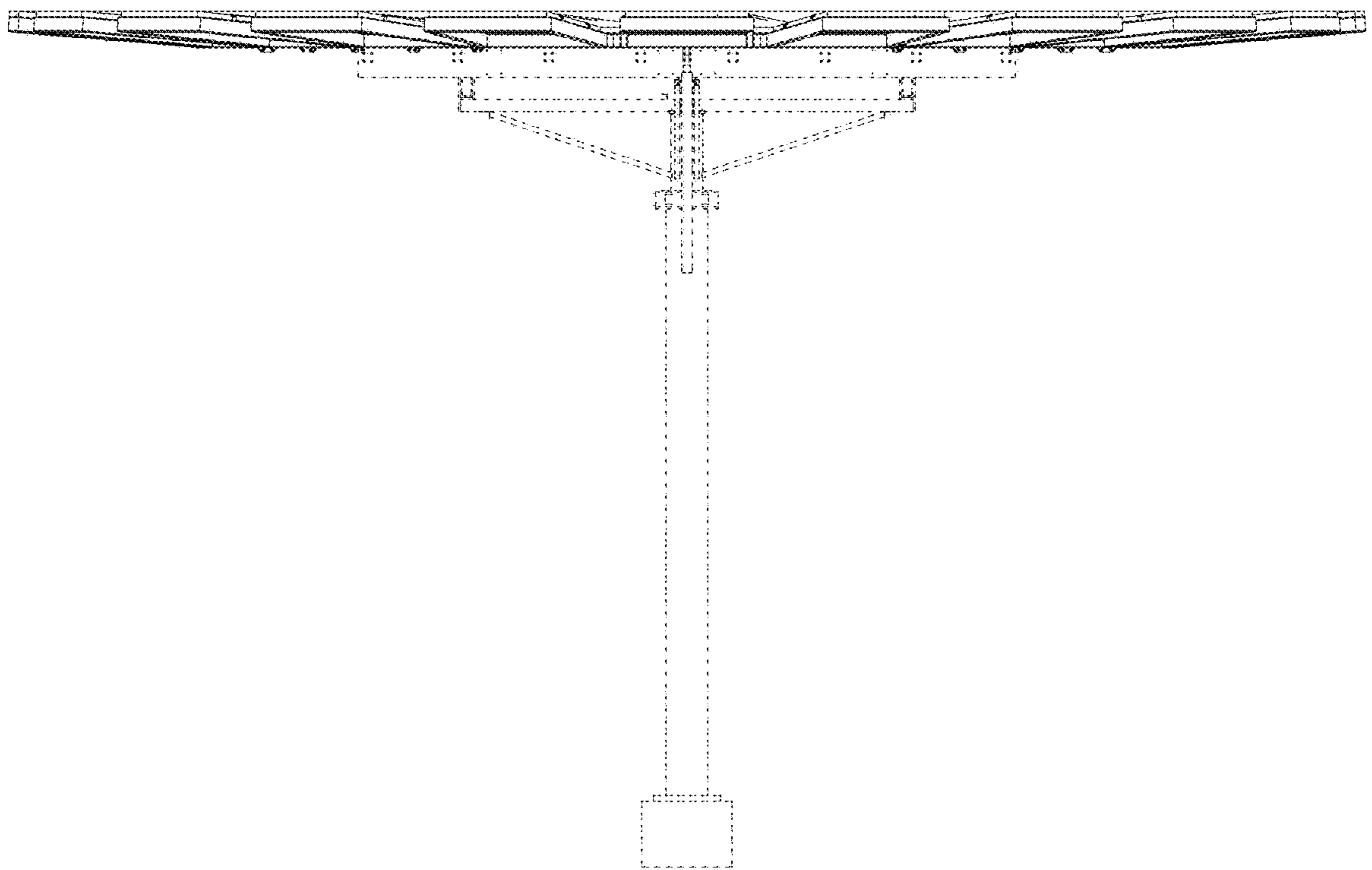


FIG. 54



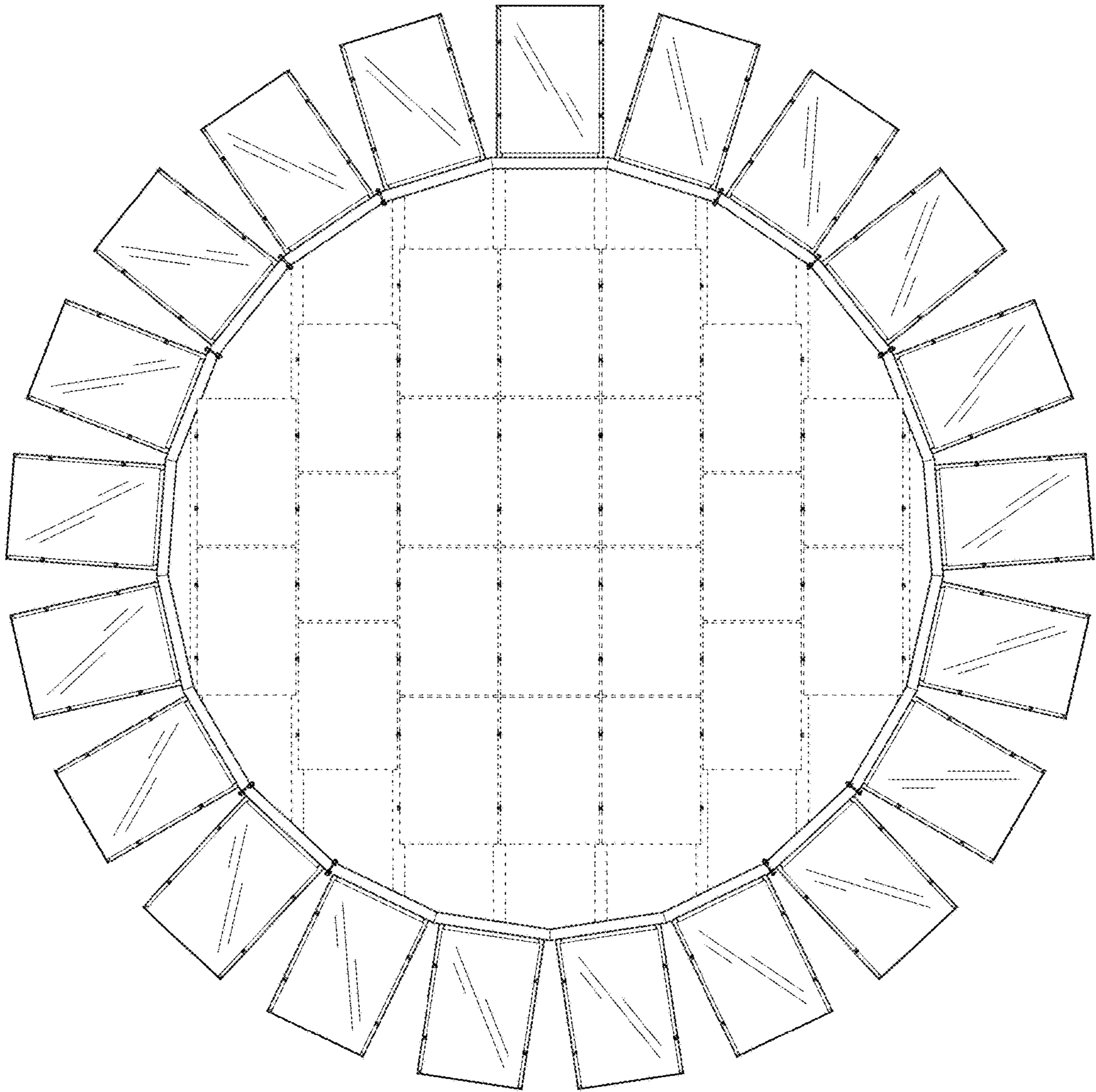


FIG. 55

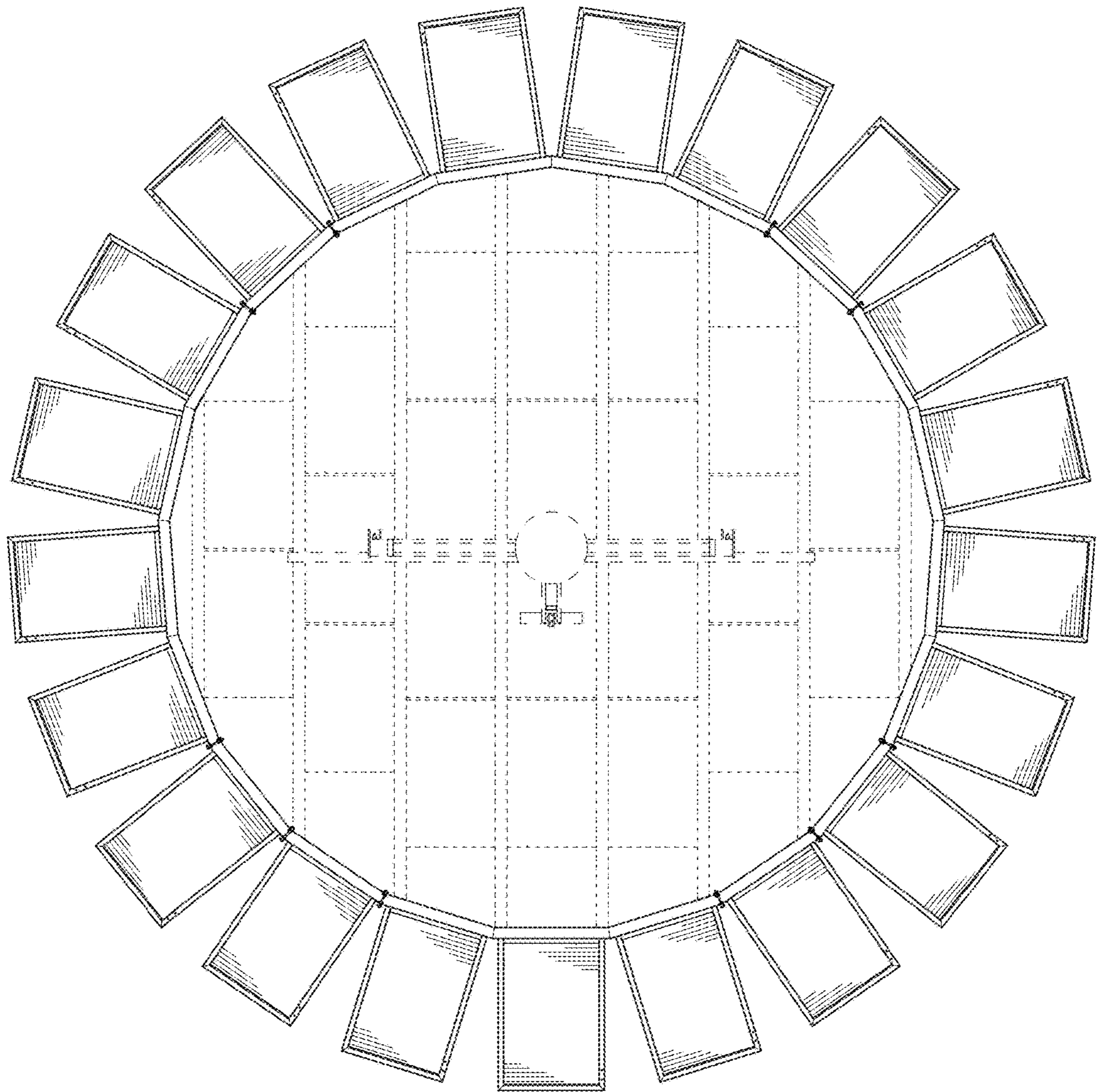


FIG. 56

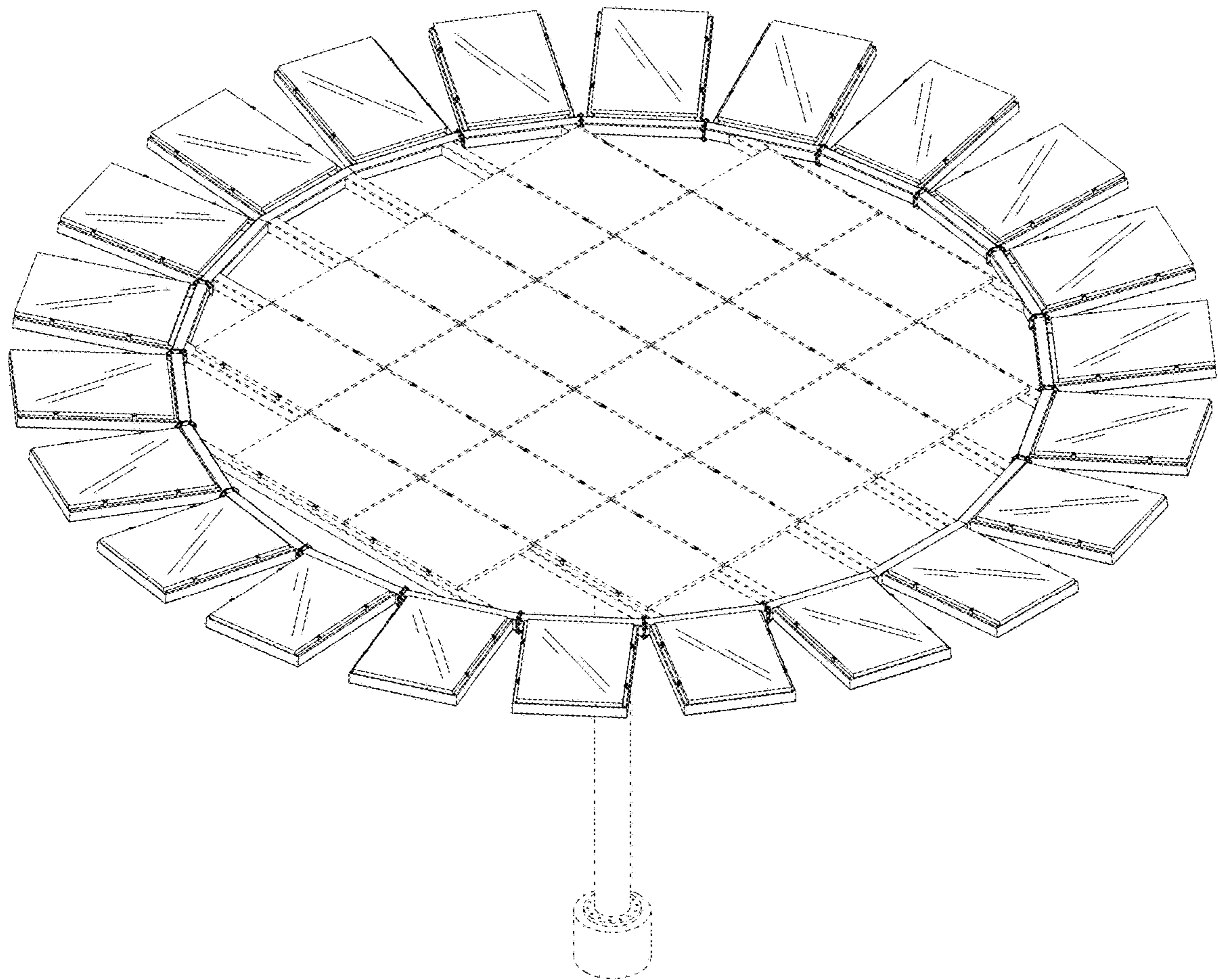


FIG. 57



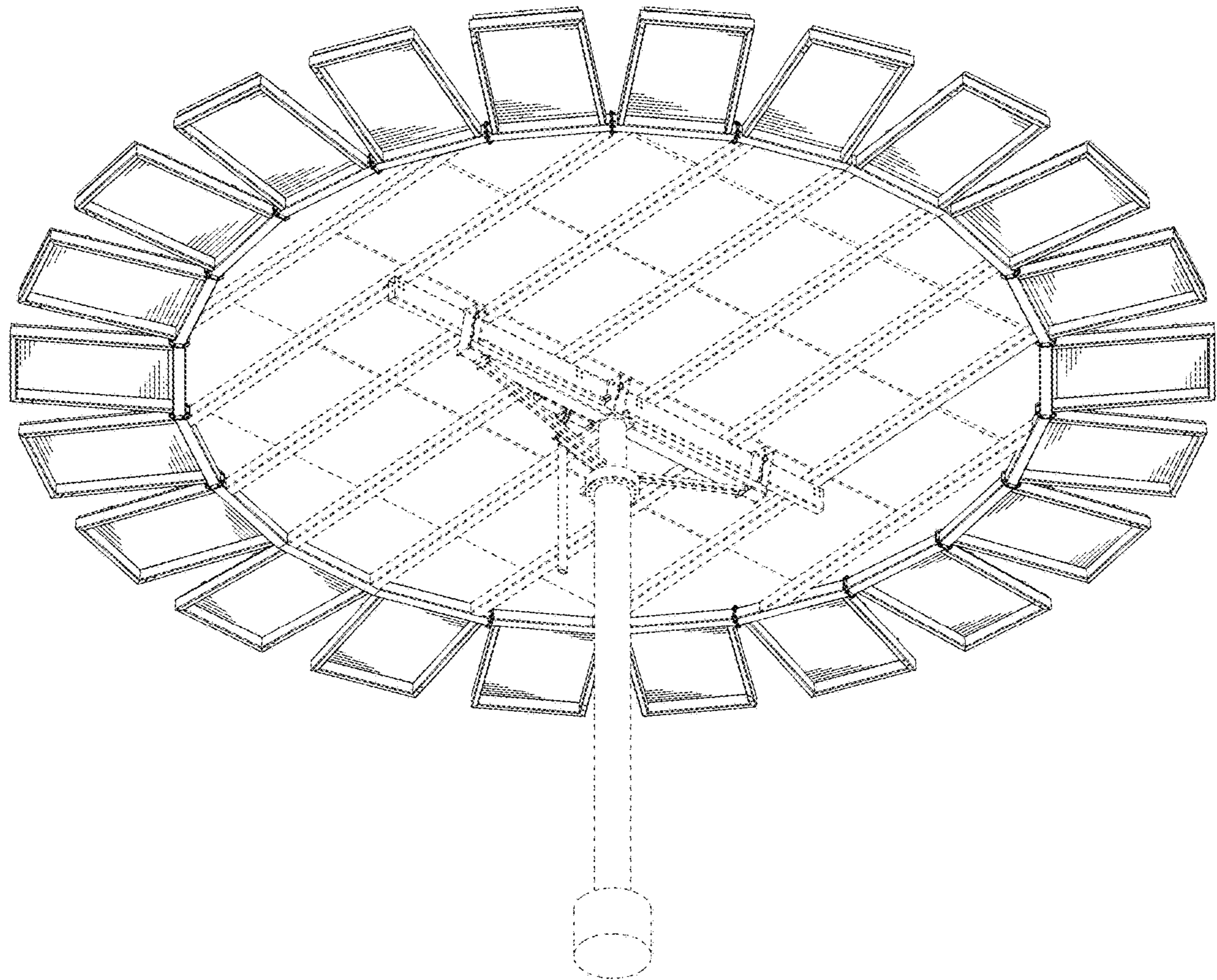


FIG. 58



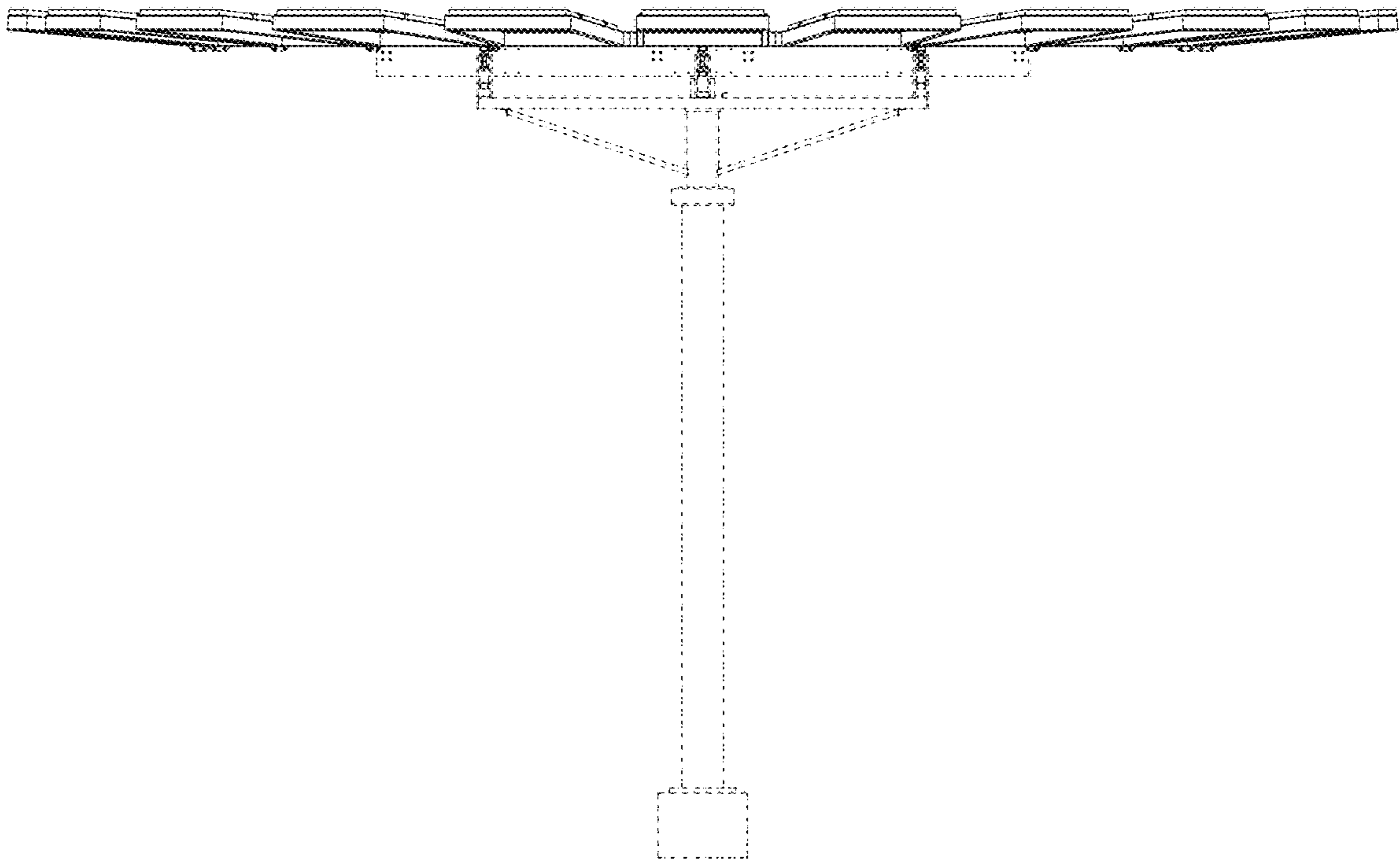


FIG. 59

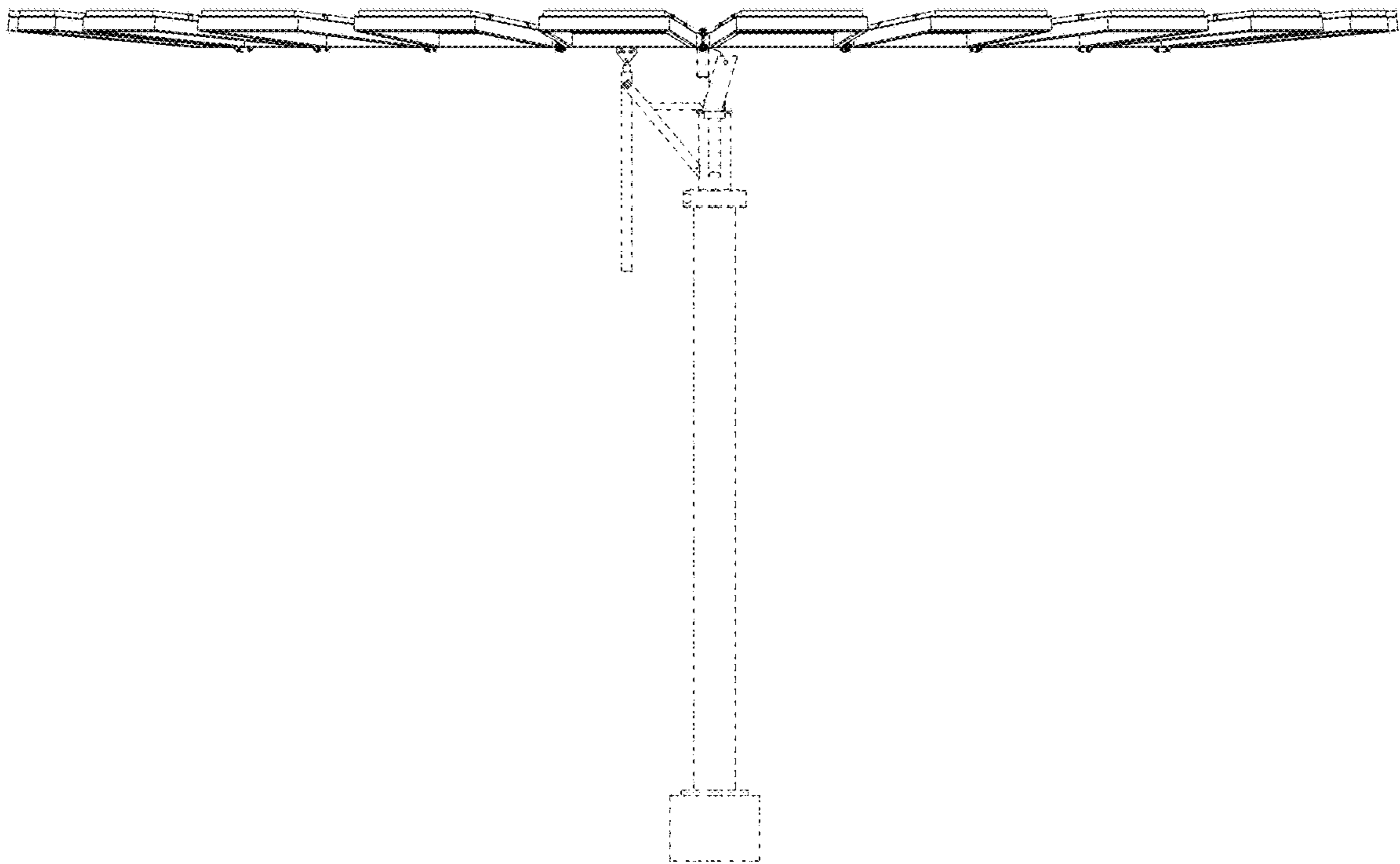


FIG. 60

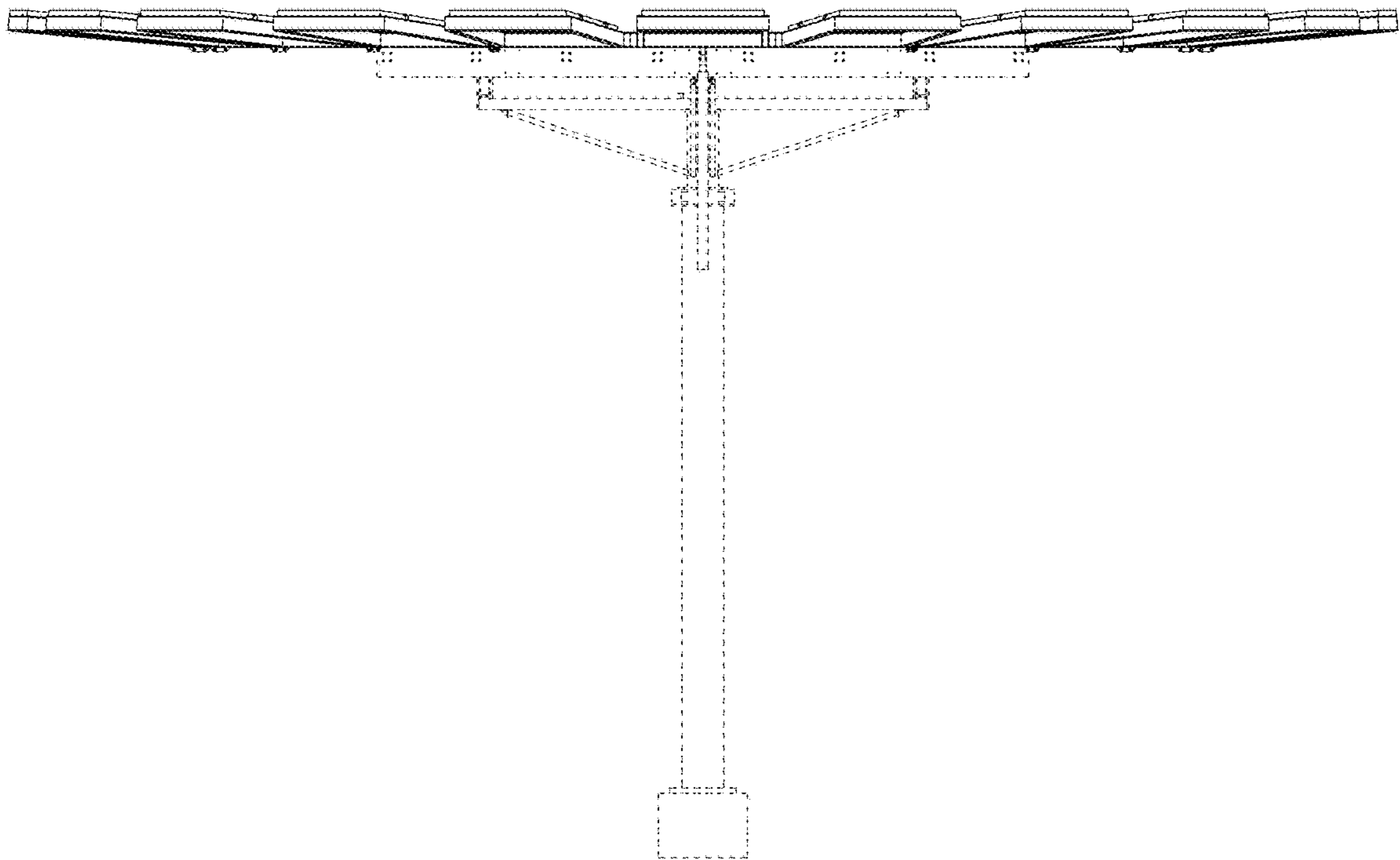


FIG. 61

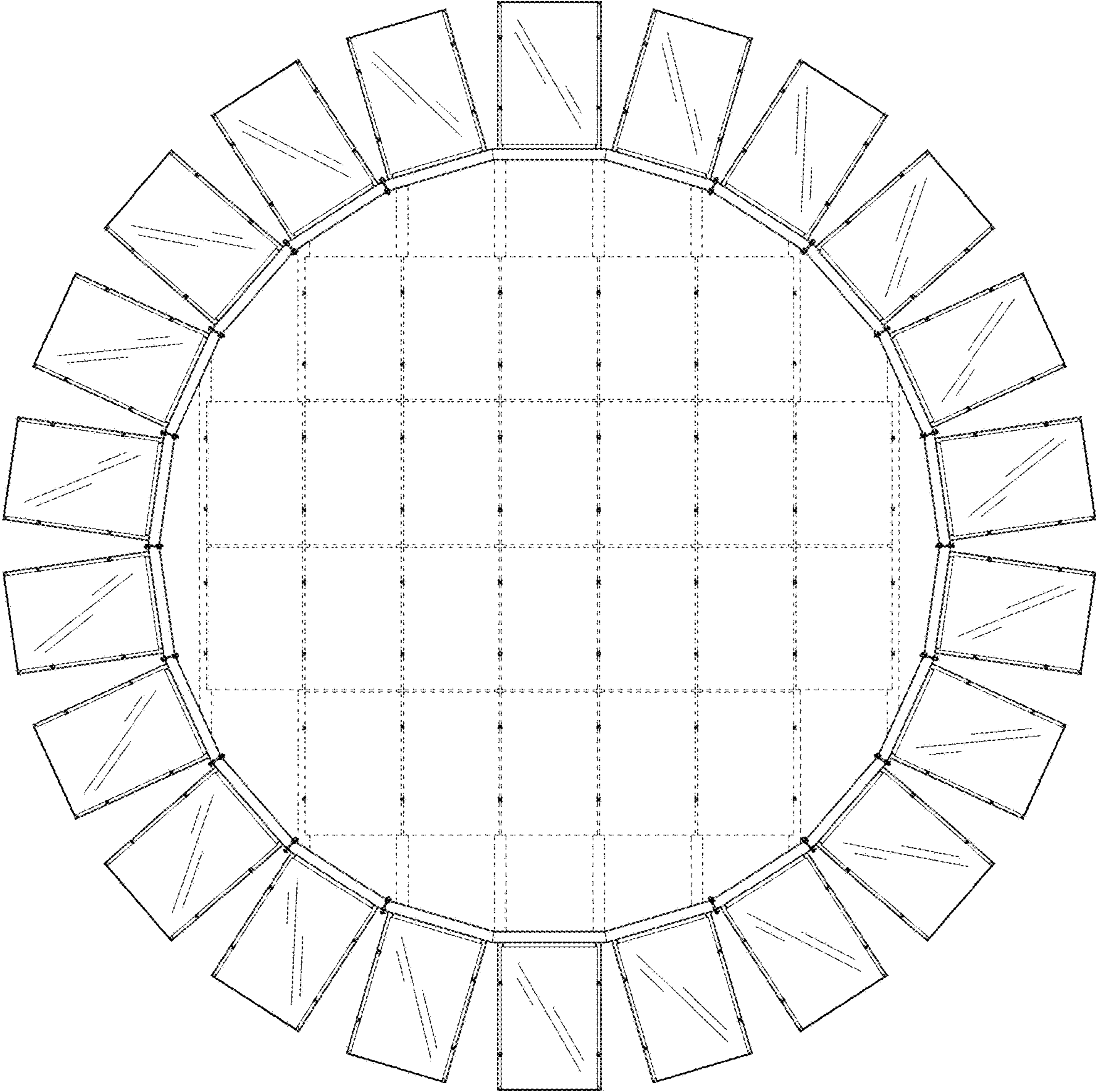


FIG. 62



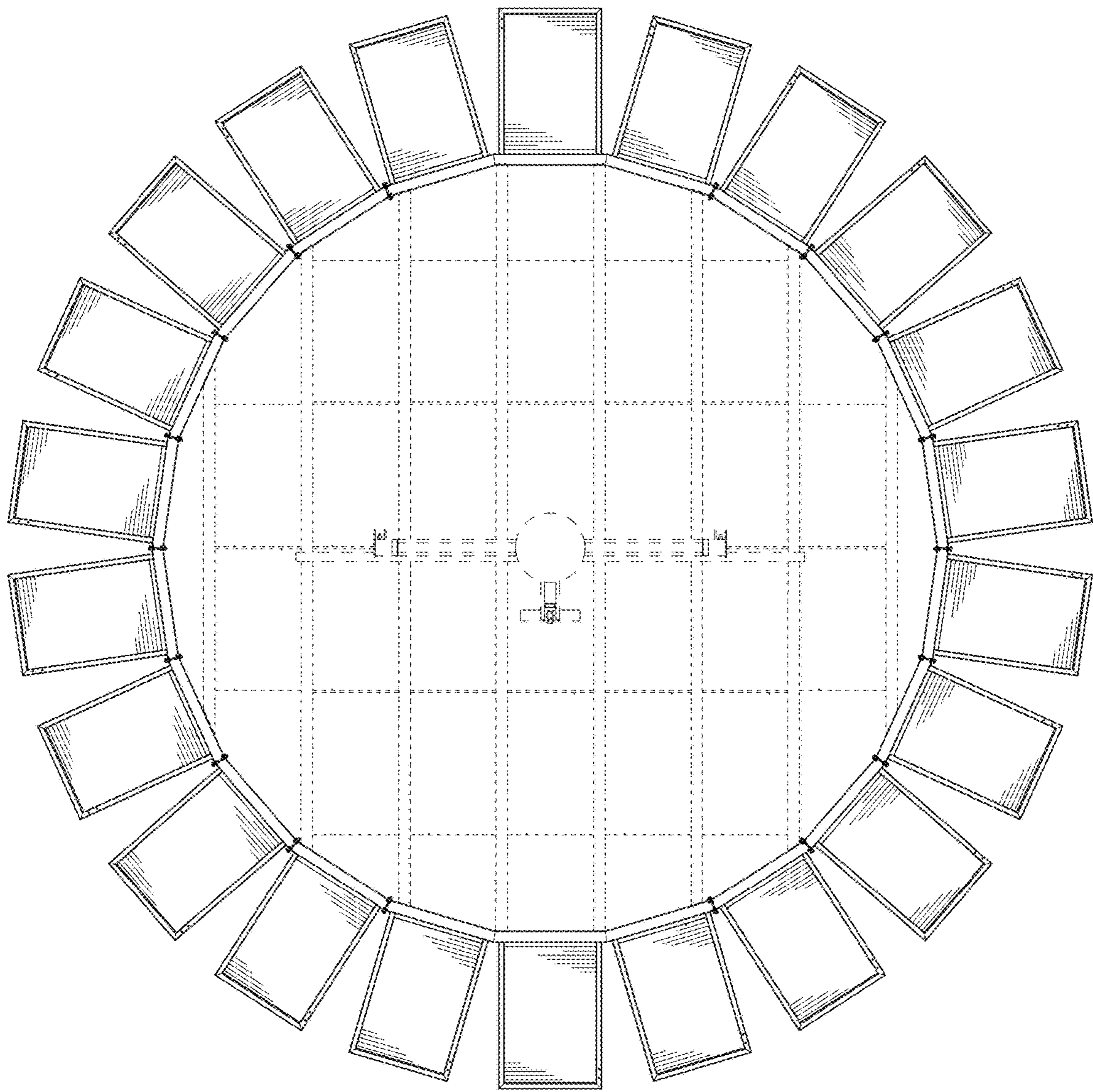


FIG. 63

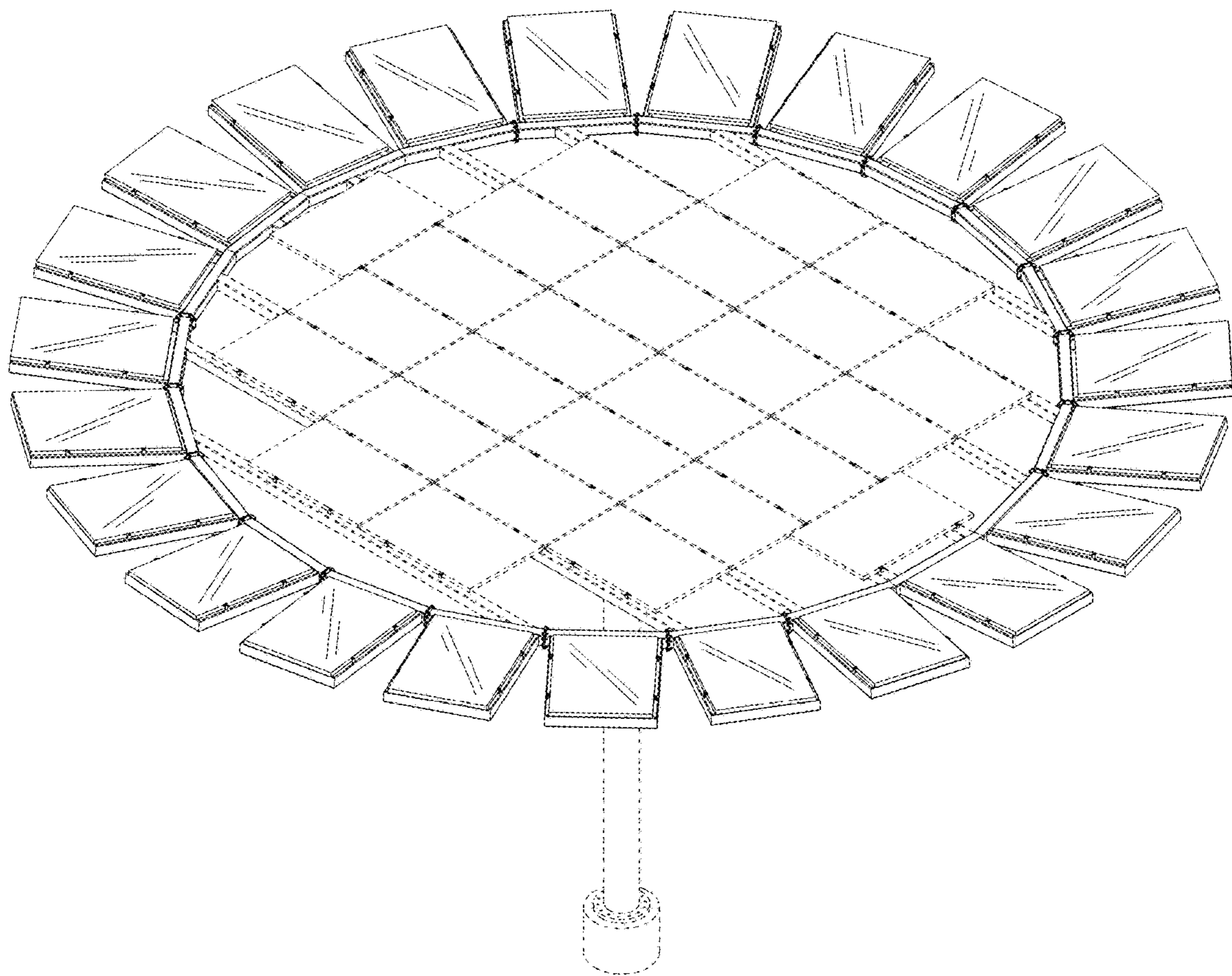


FIG. 64



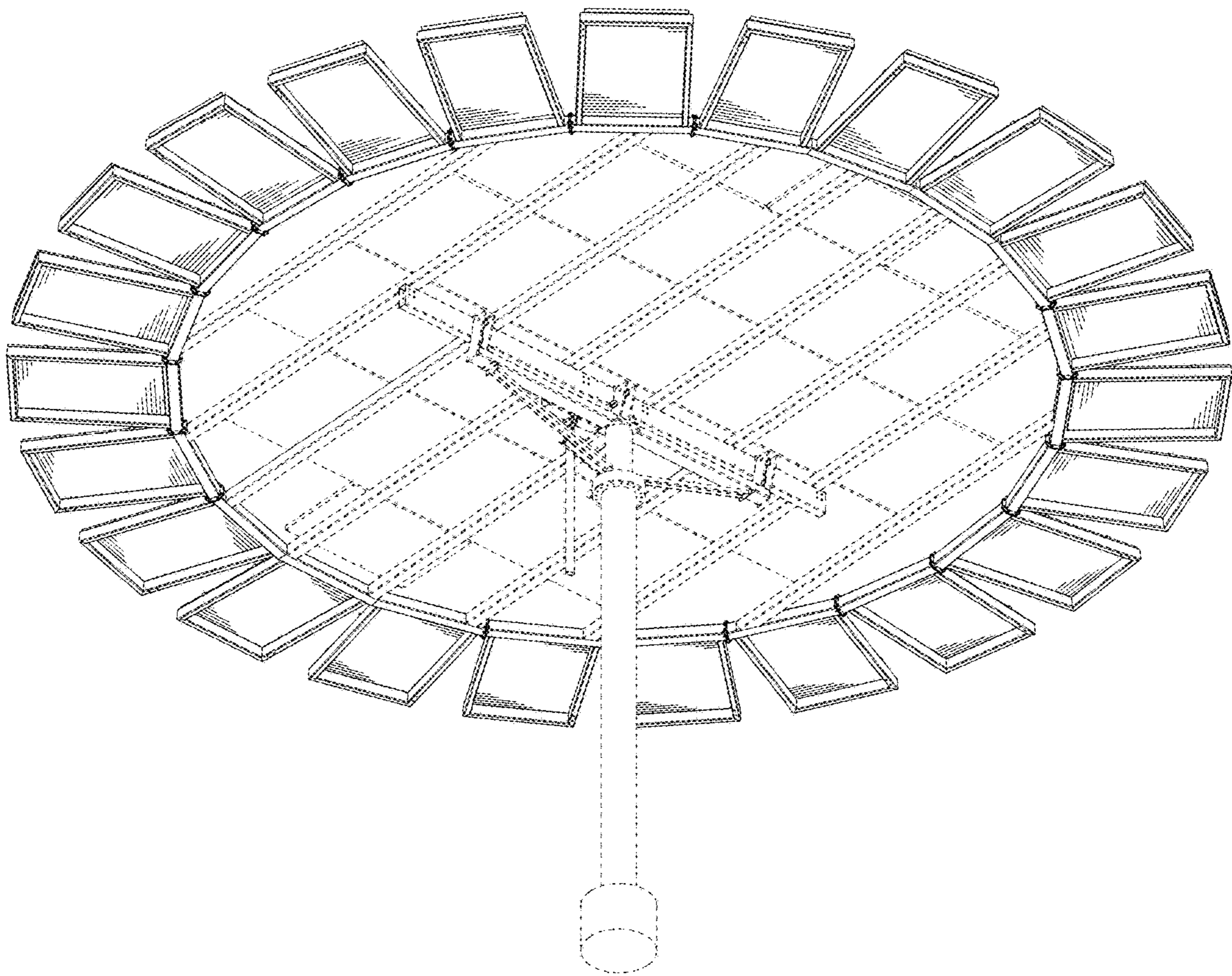


FIG. 65

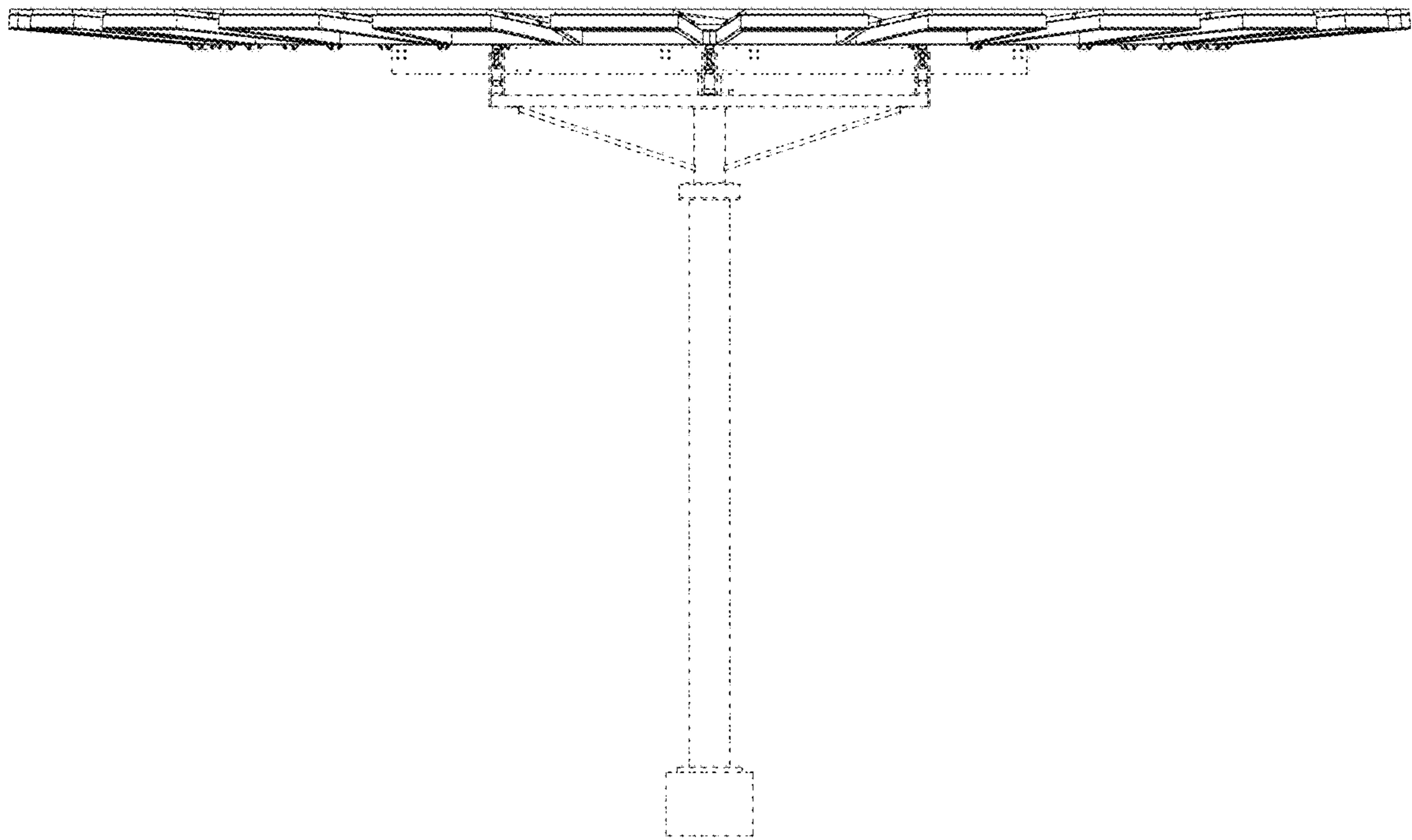


FIG. 66



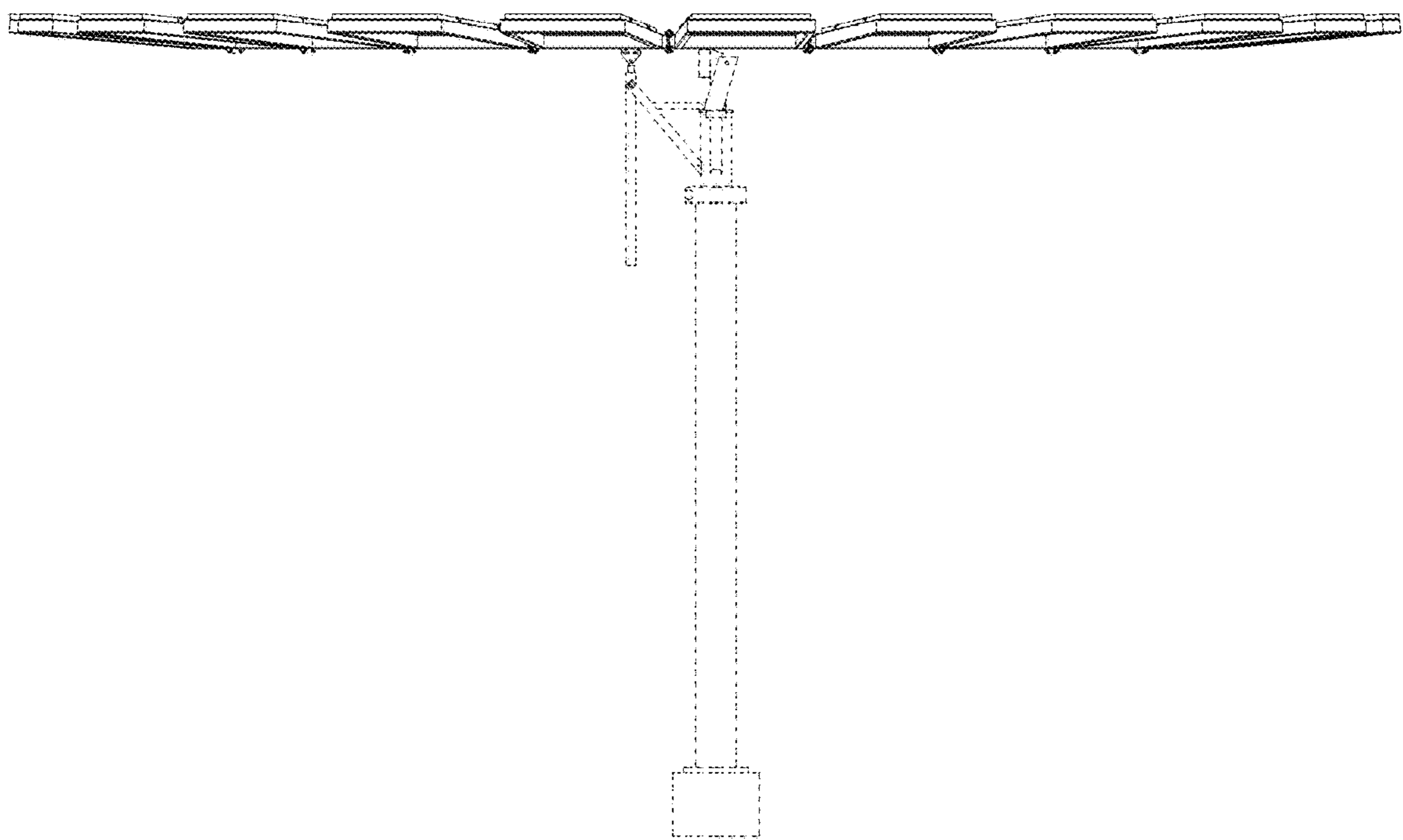


FIG. 67

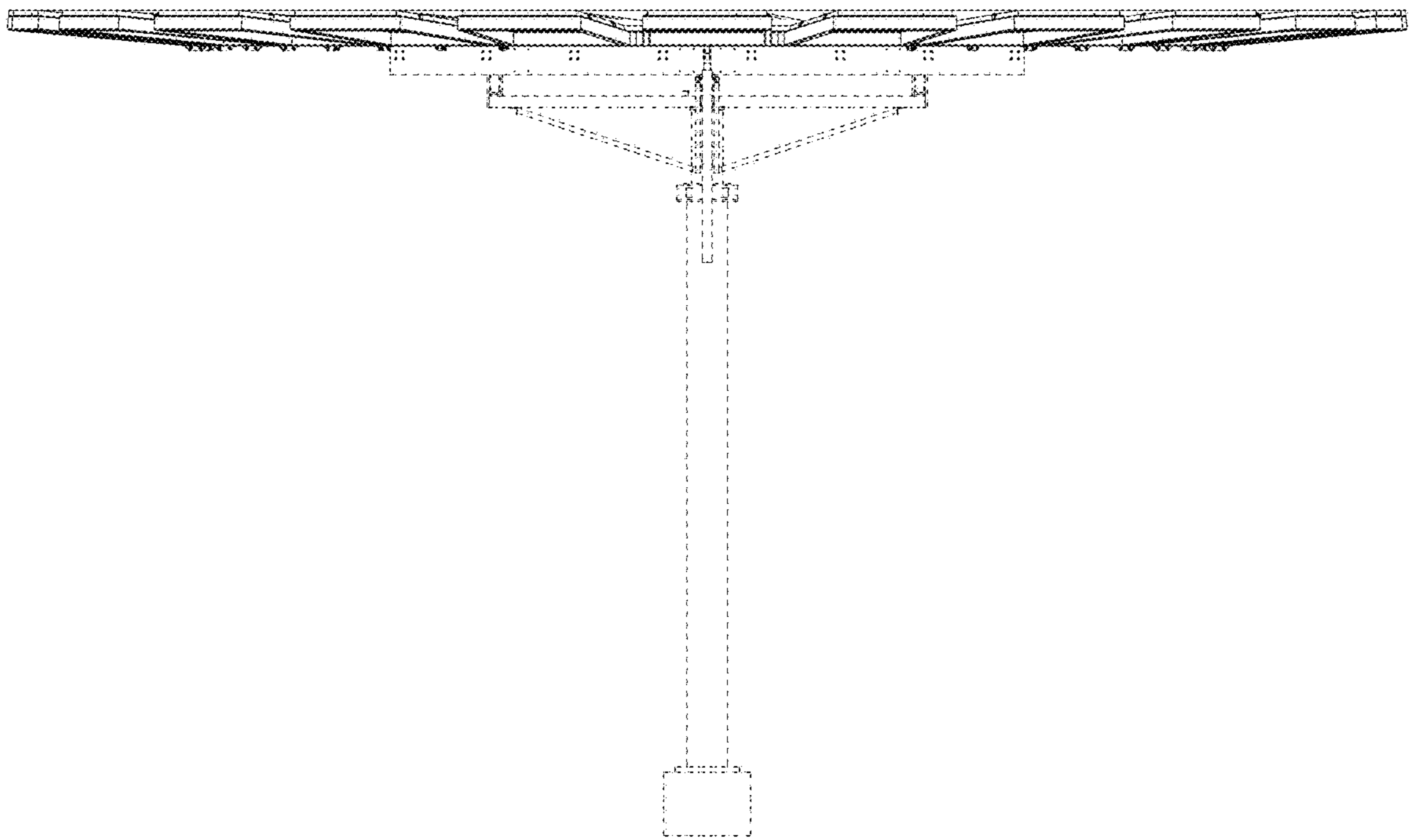


FIG. 68

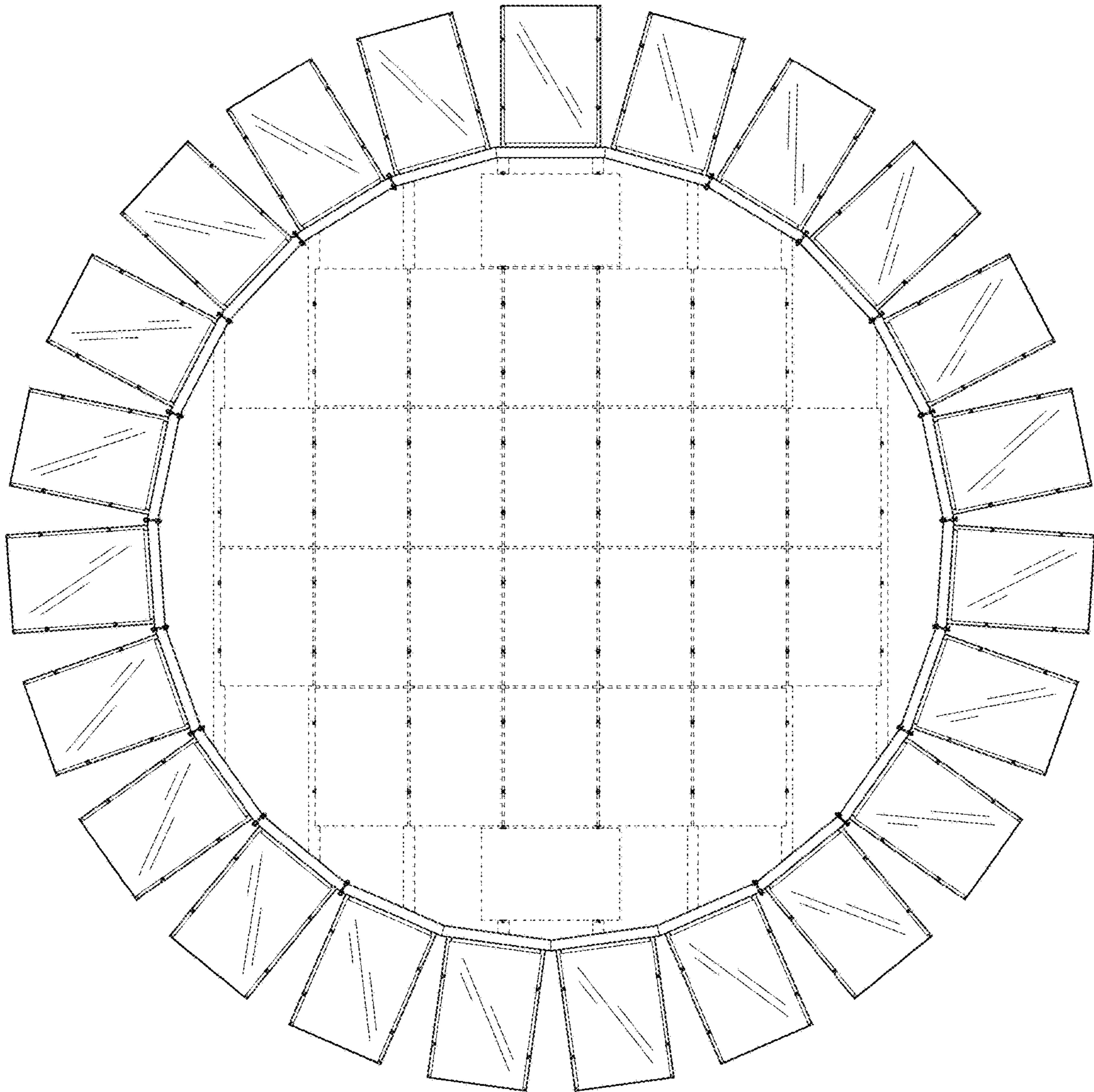


FIG. 69

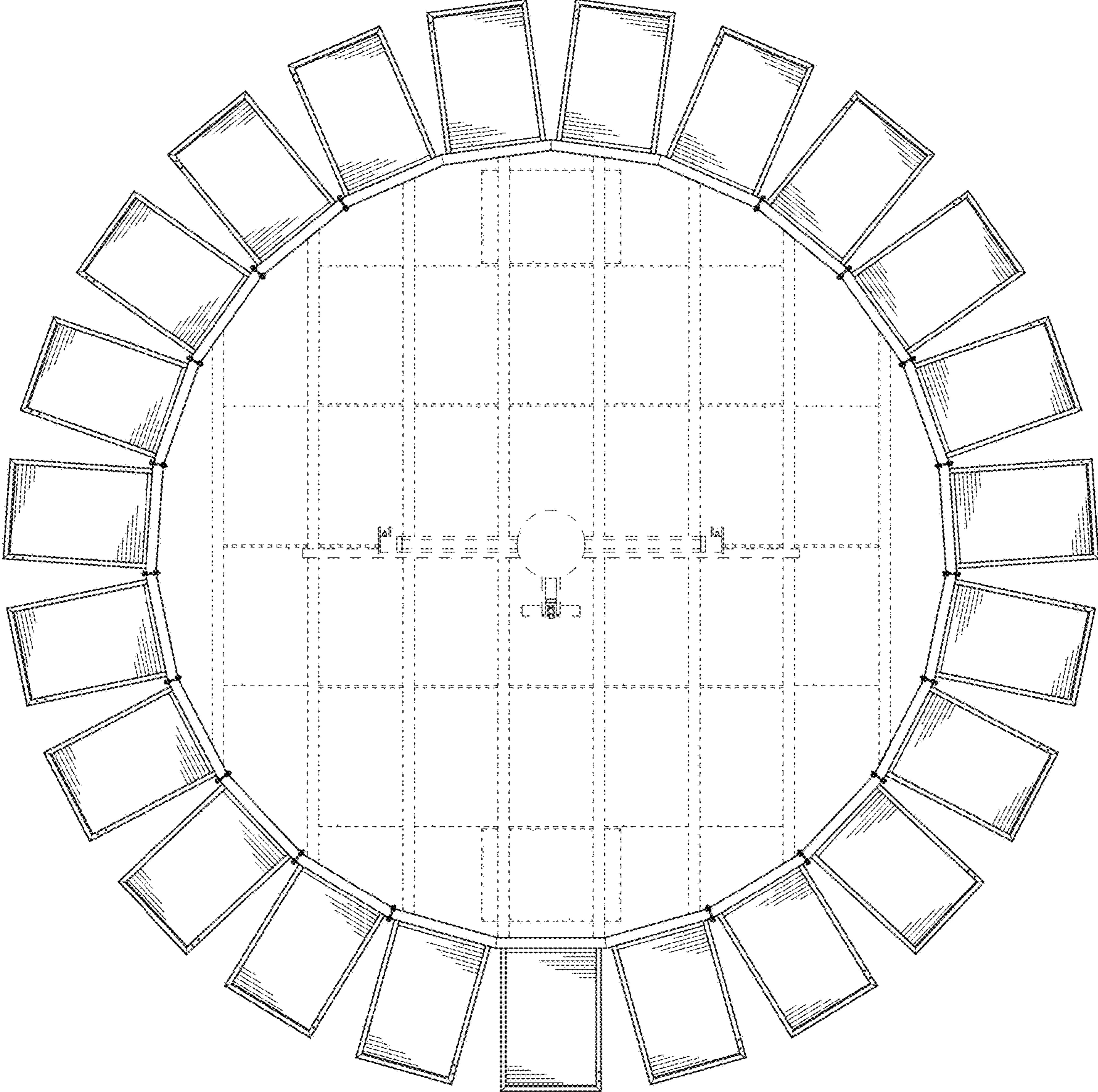


FIG. 70



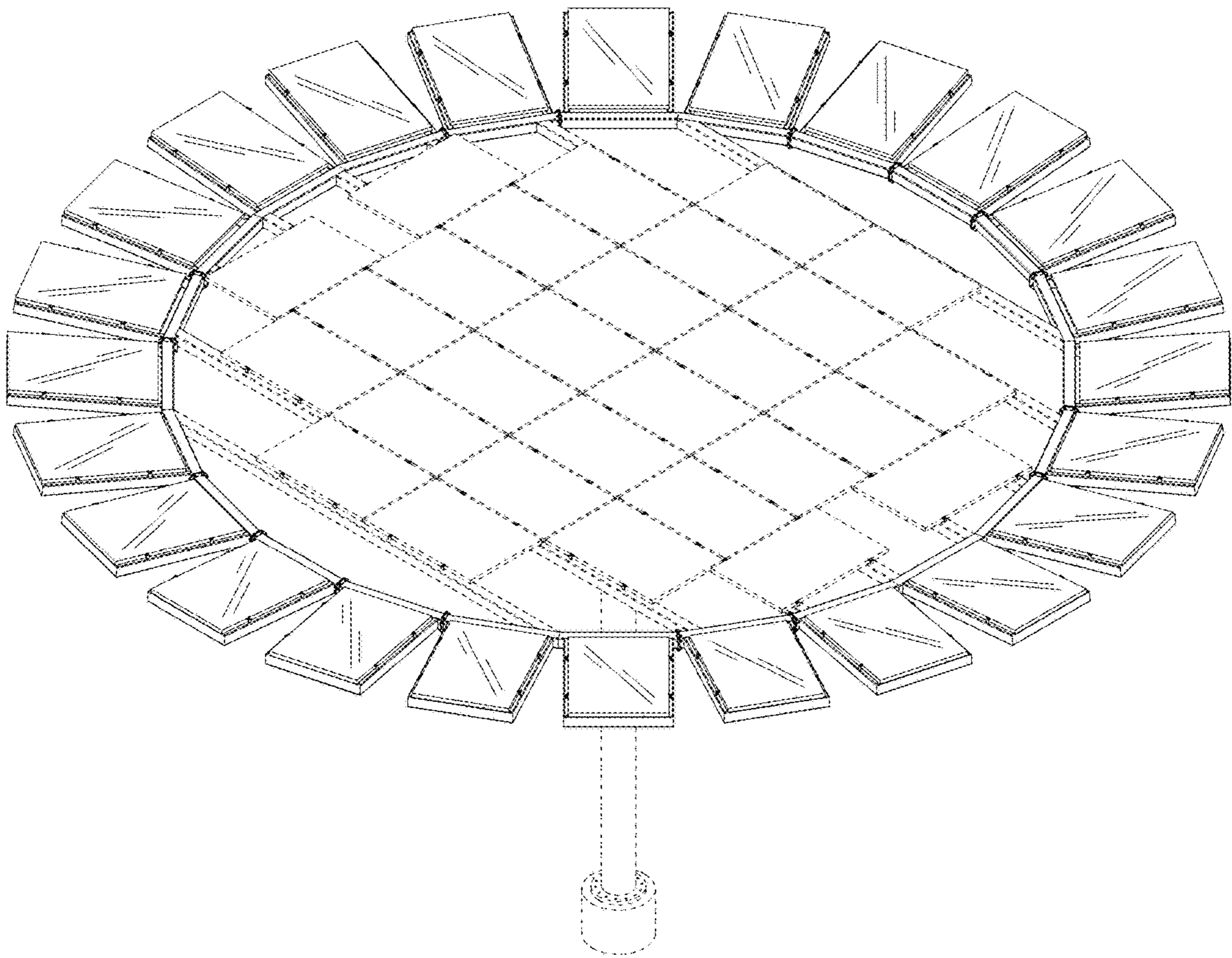


FIG. 71

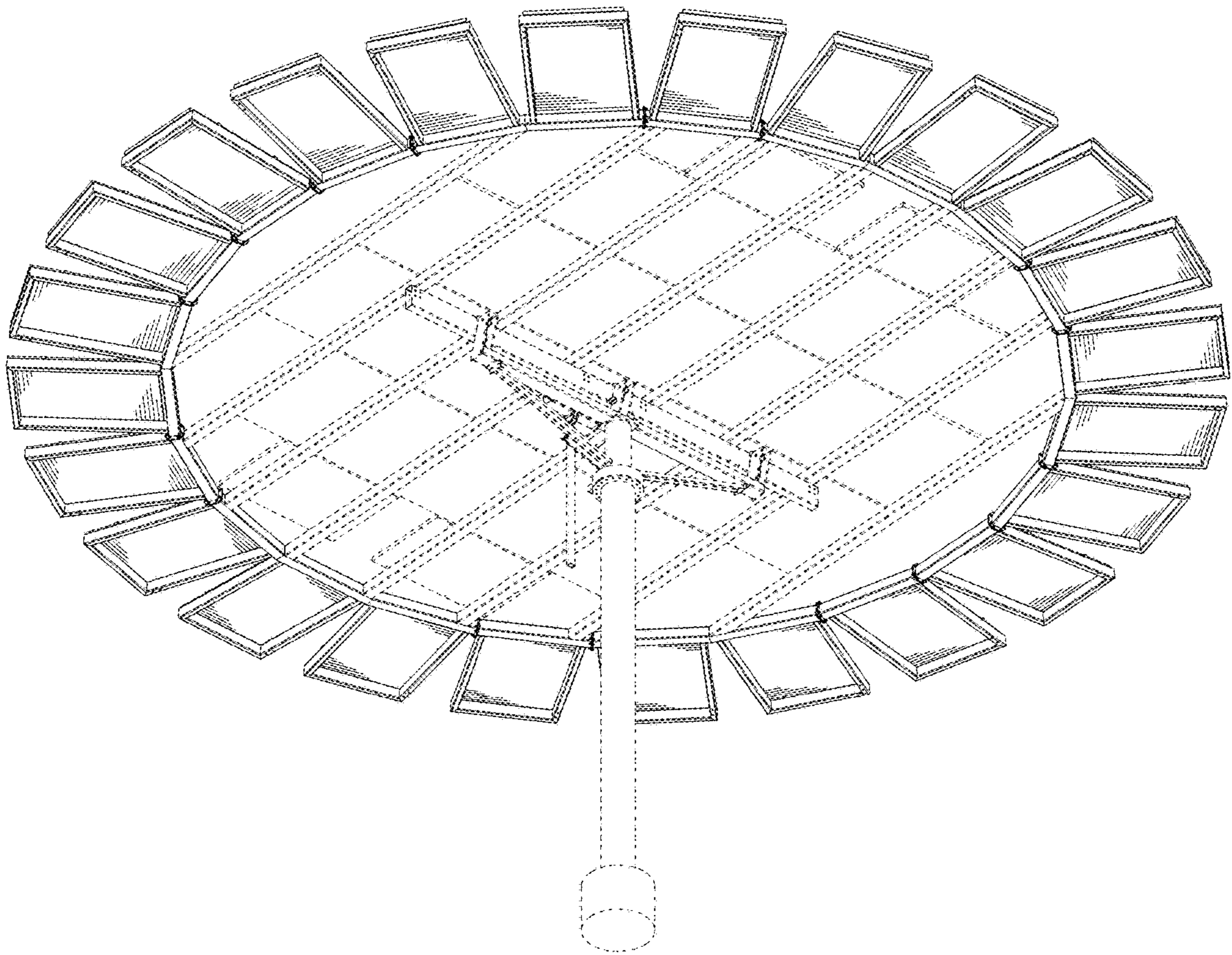


FIG. 72

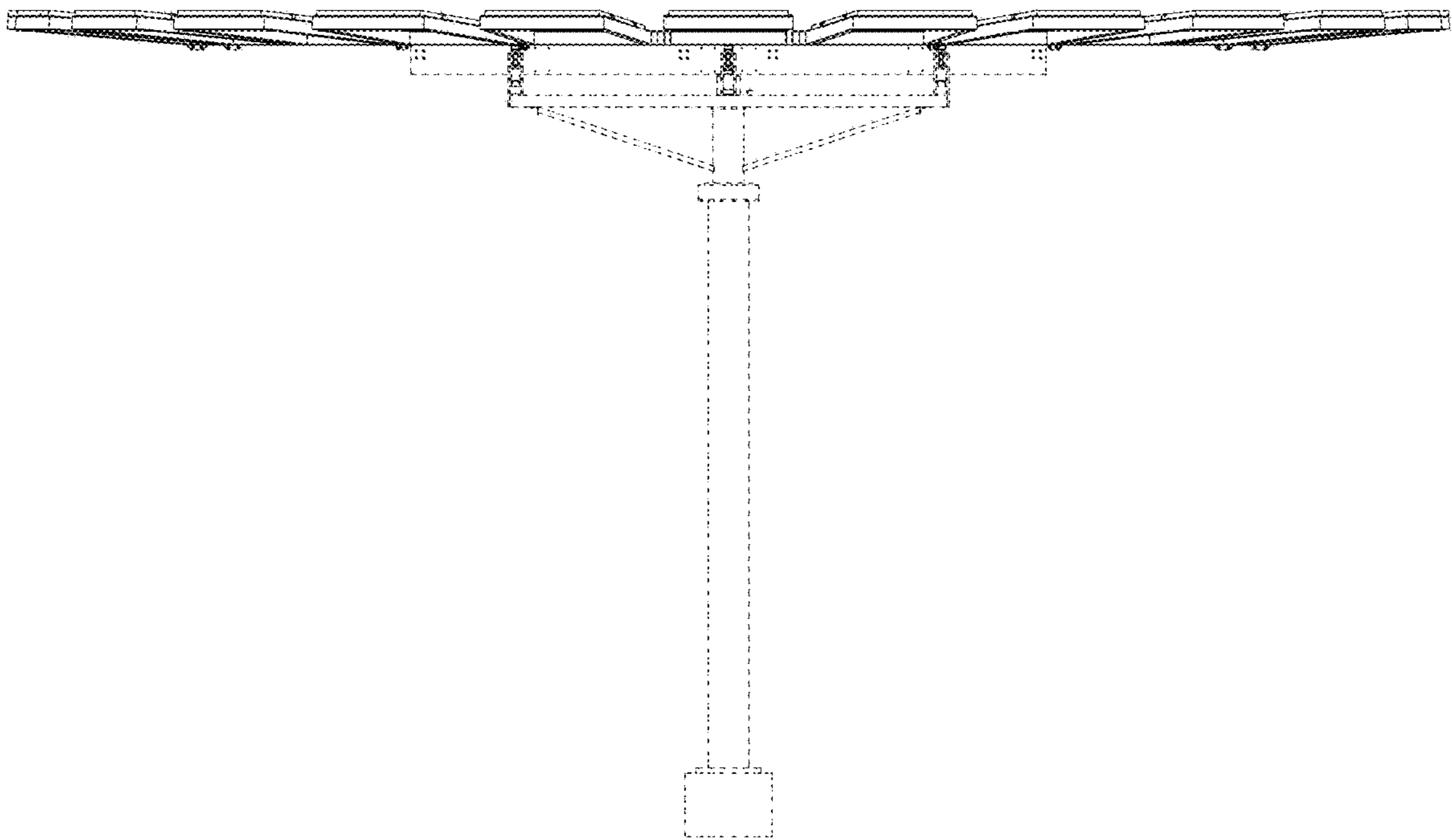


FIG. 73

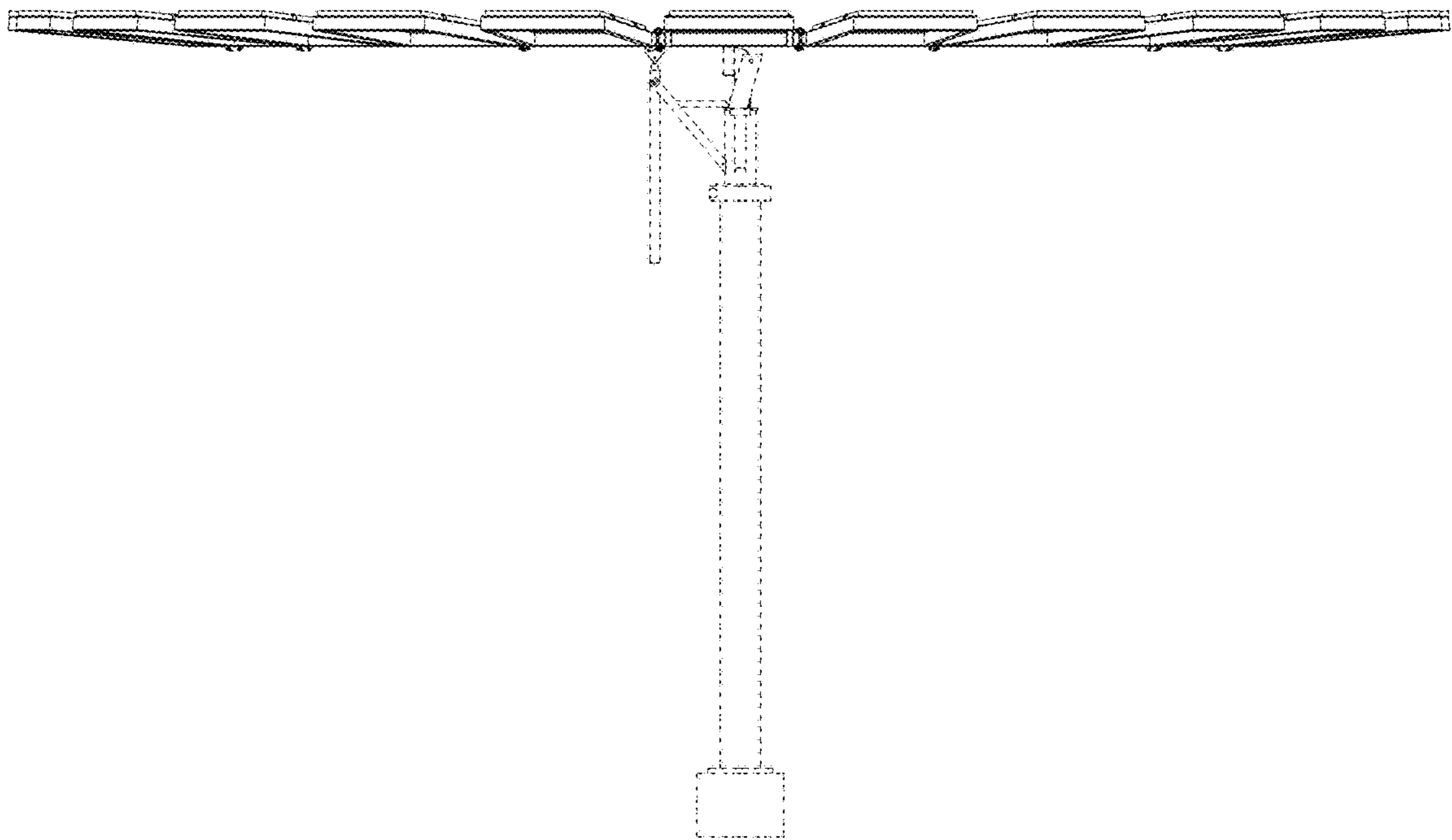


FIG. 74



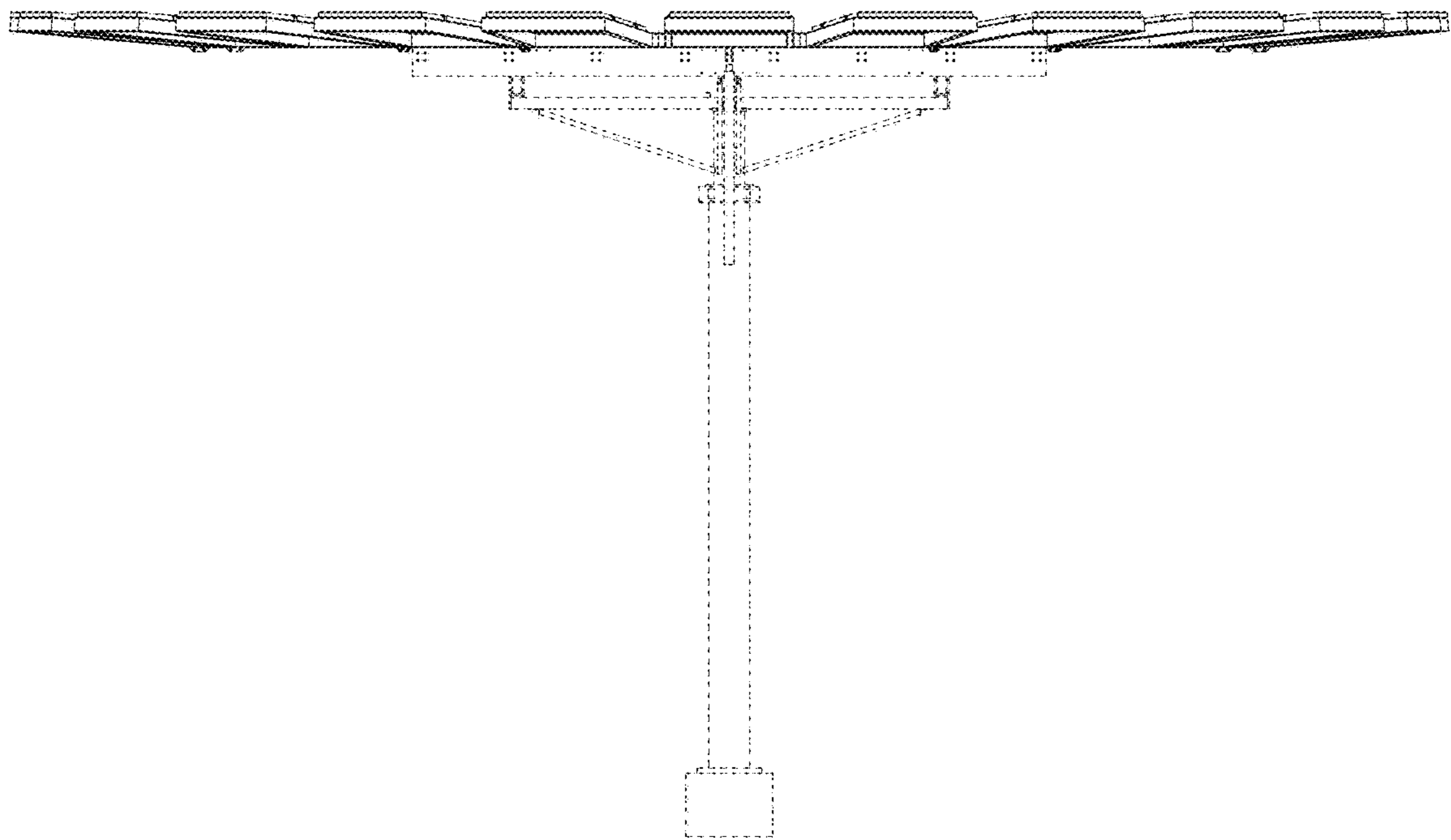


FIG.75

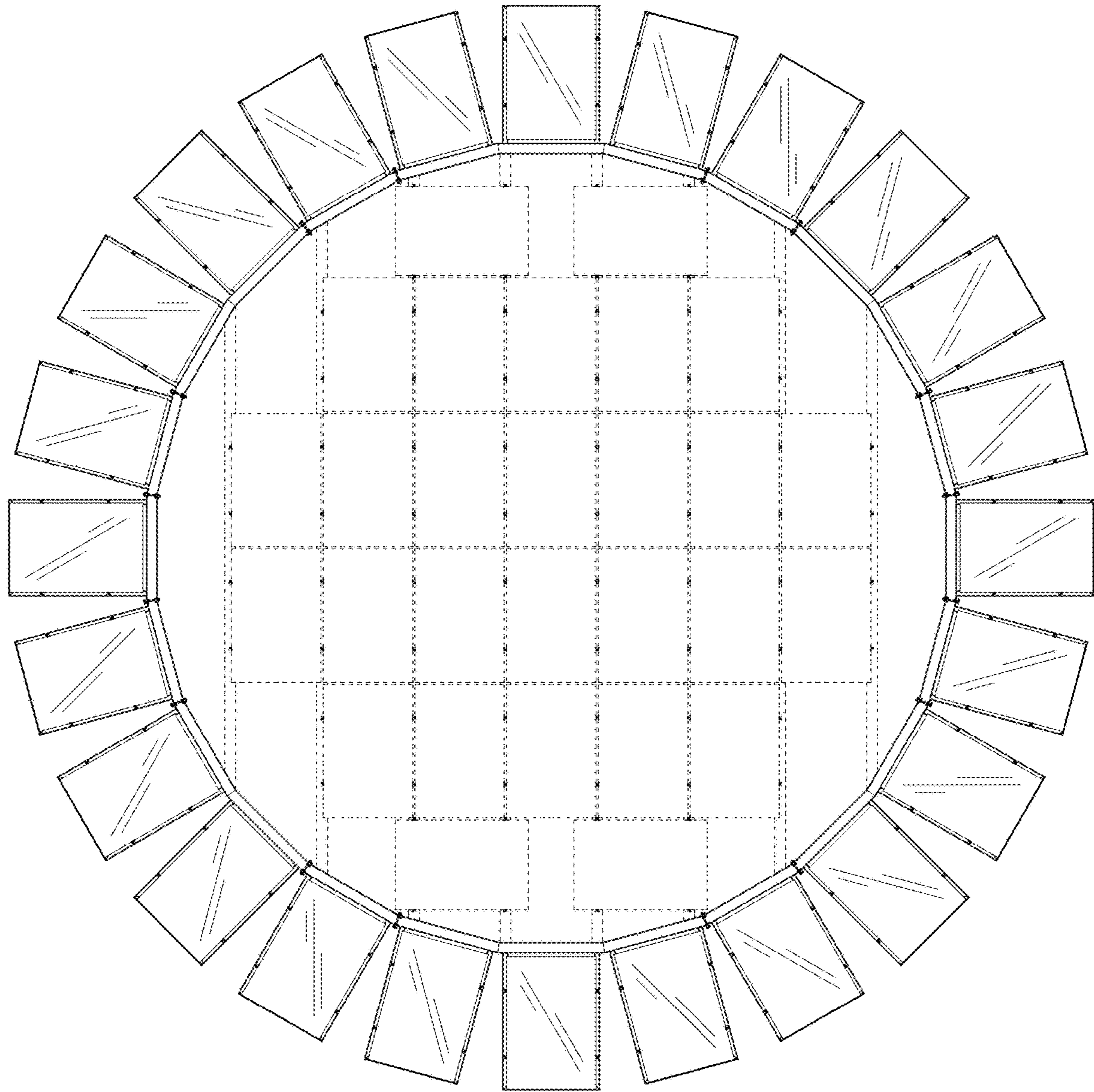


FIG. 76

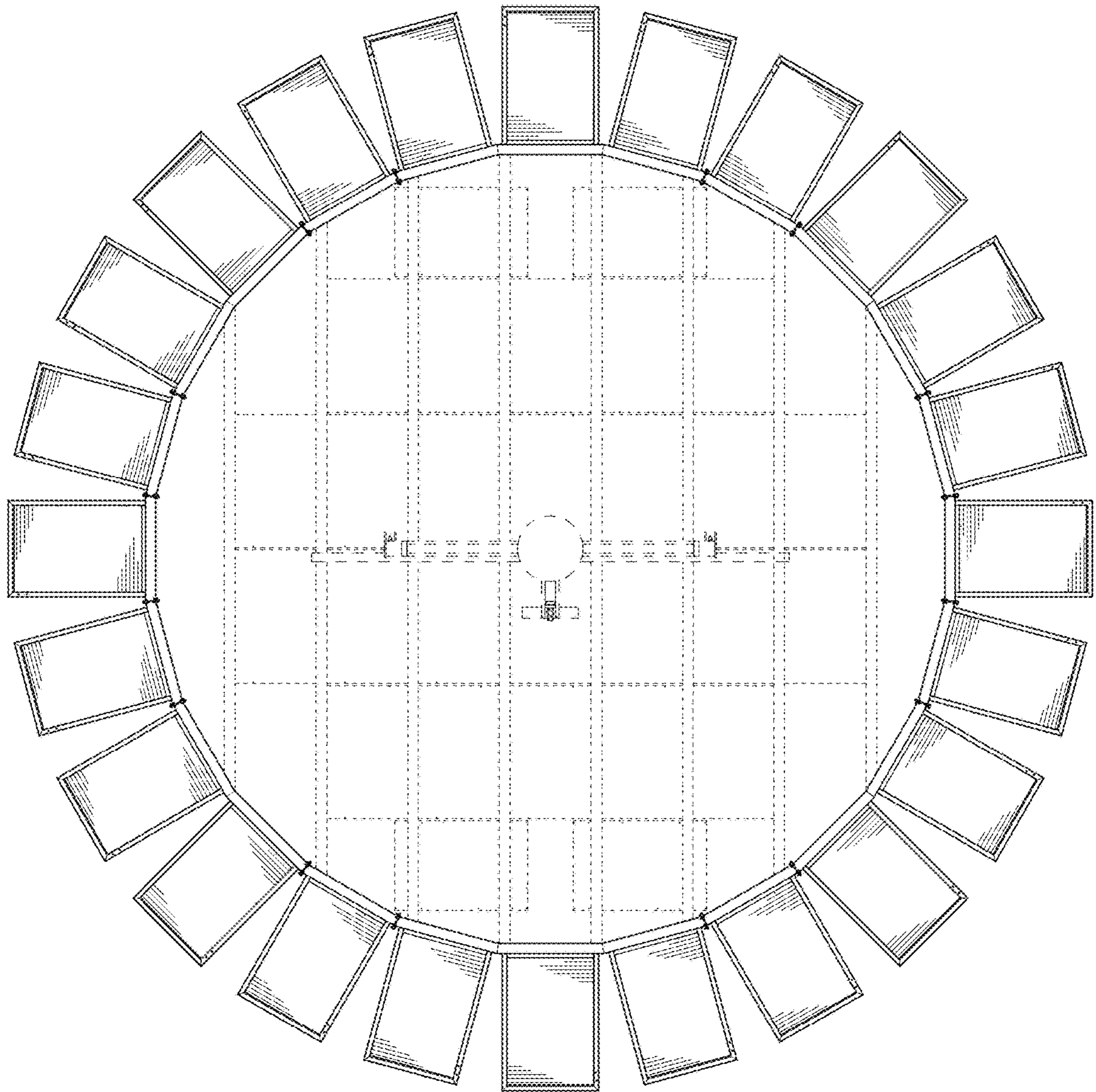


FIG. 77



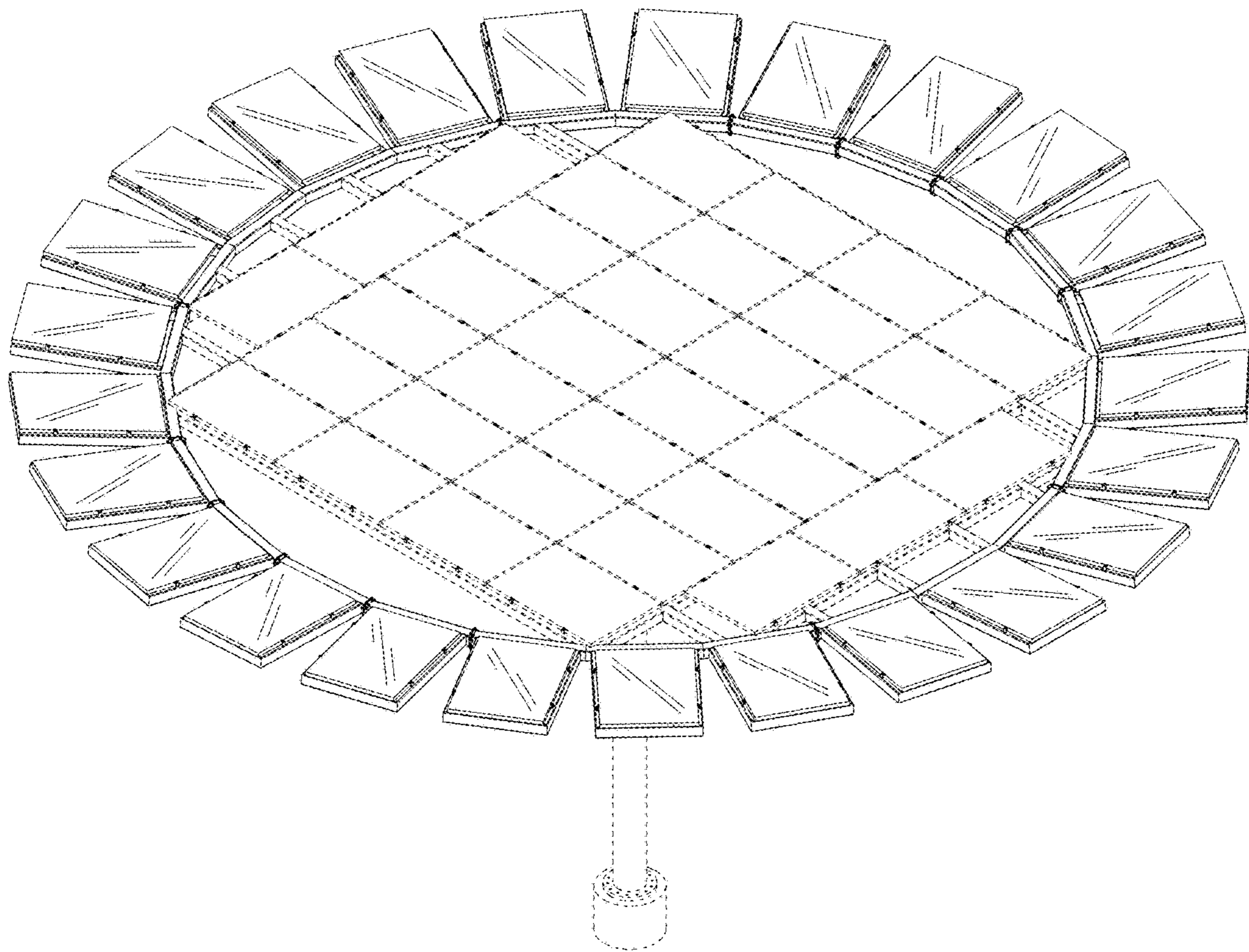


FIG. 78



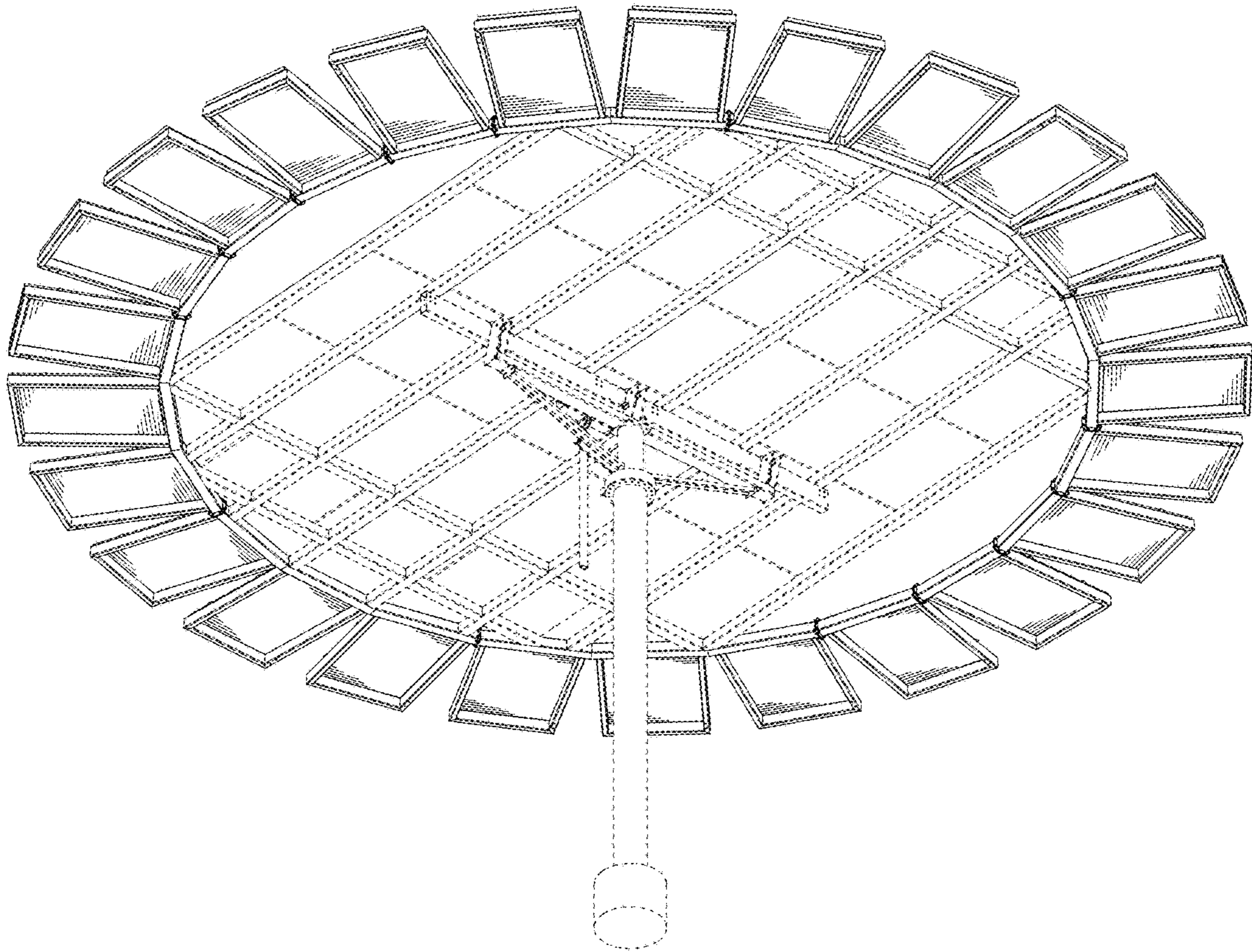


FIG. 79

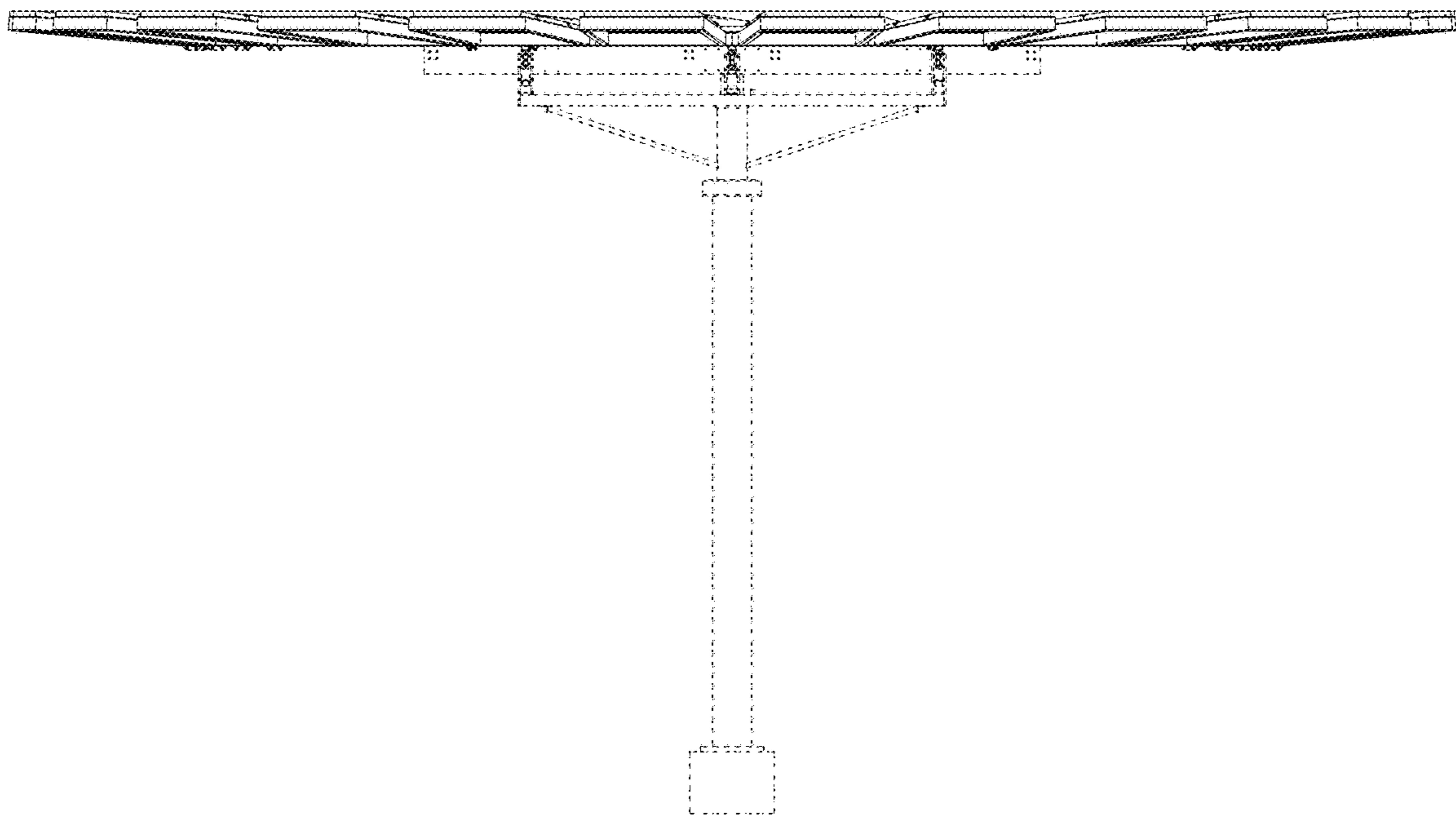


FIG. 80

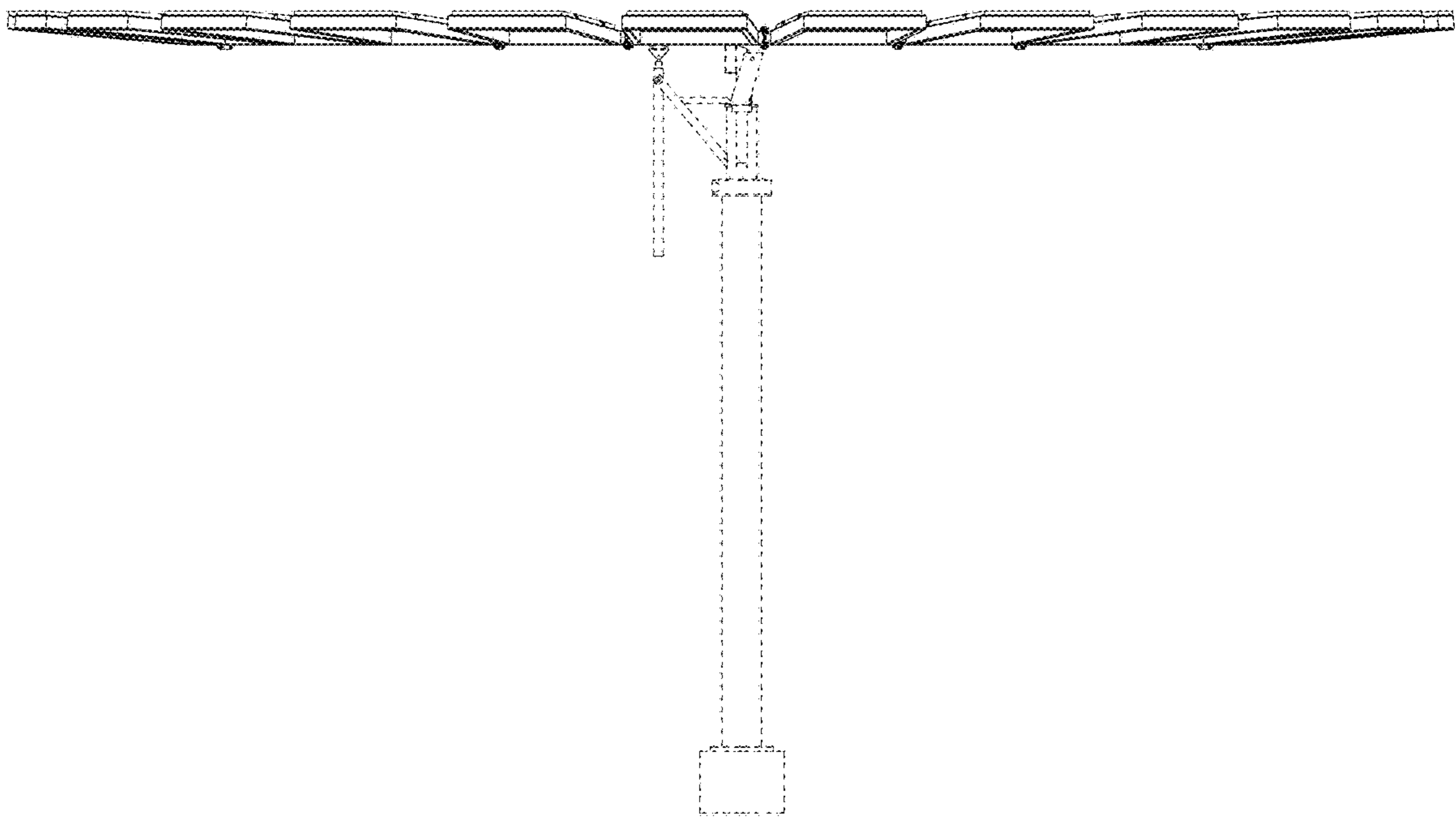


FIG. 81

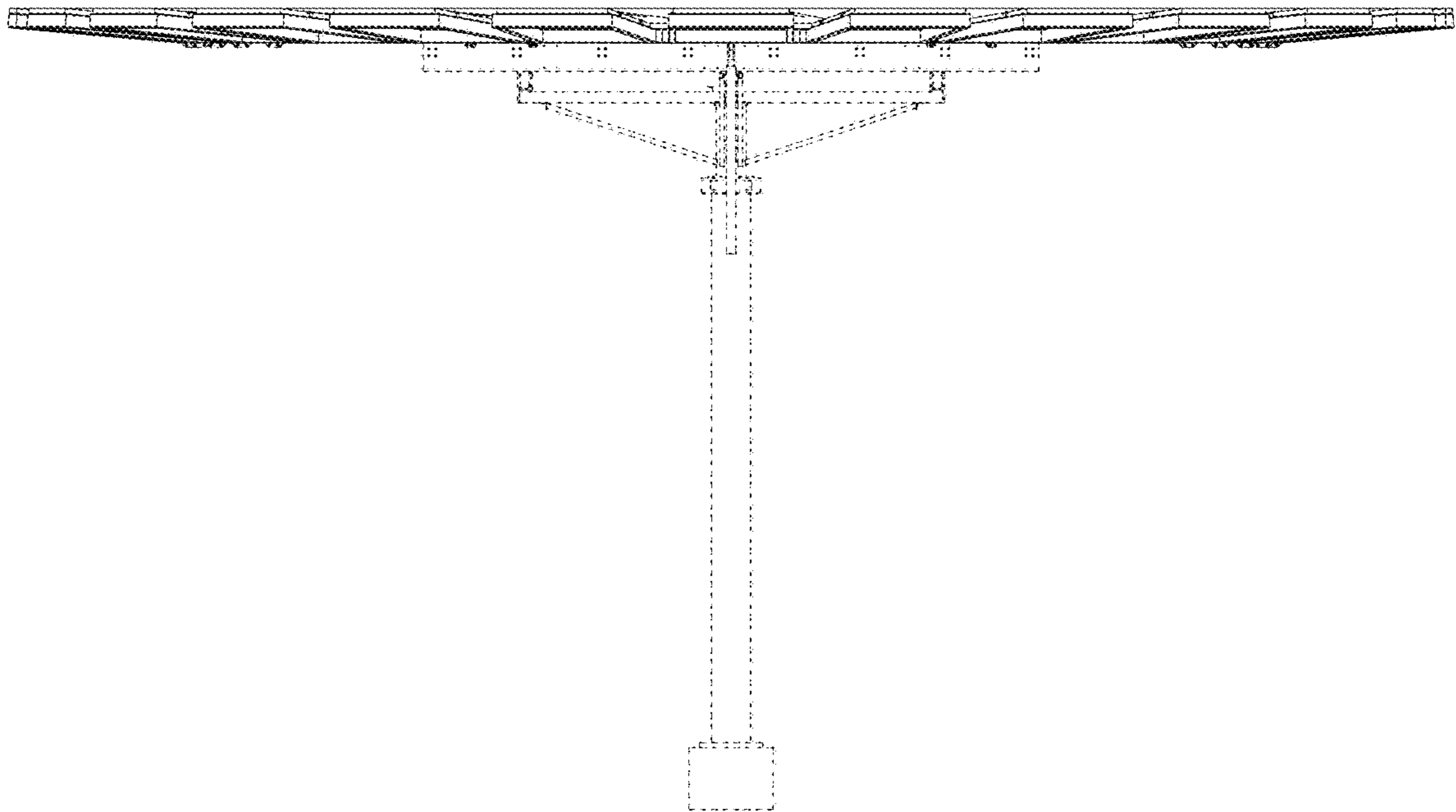


FIG. 82



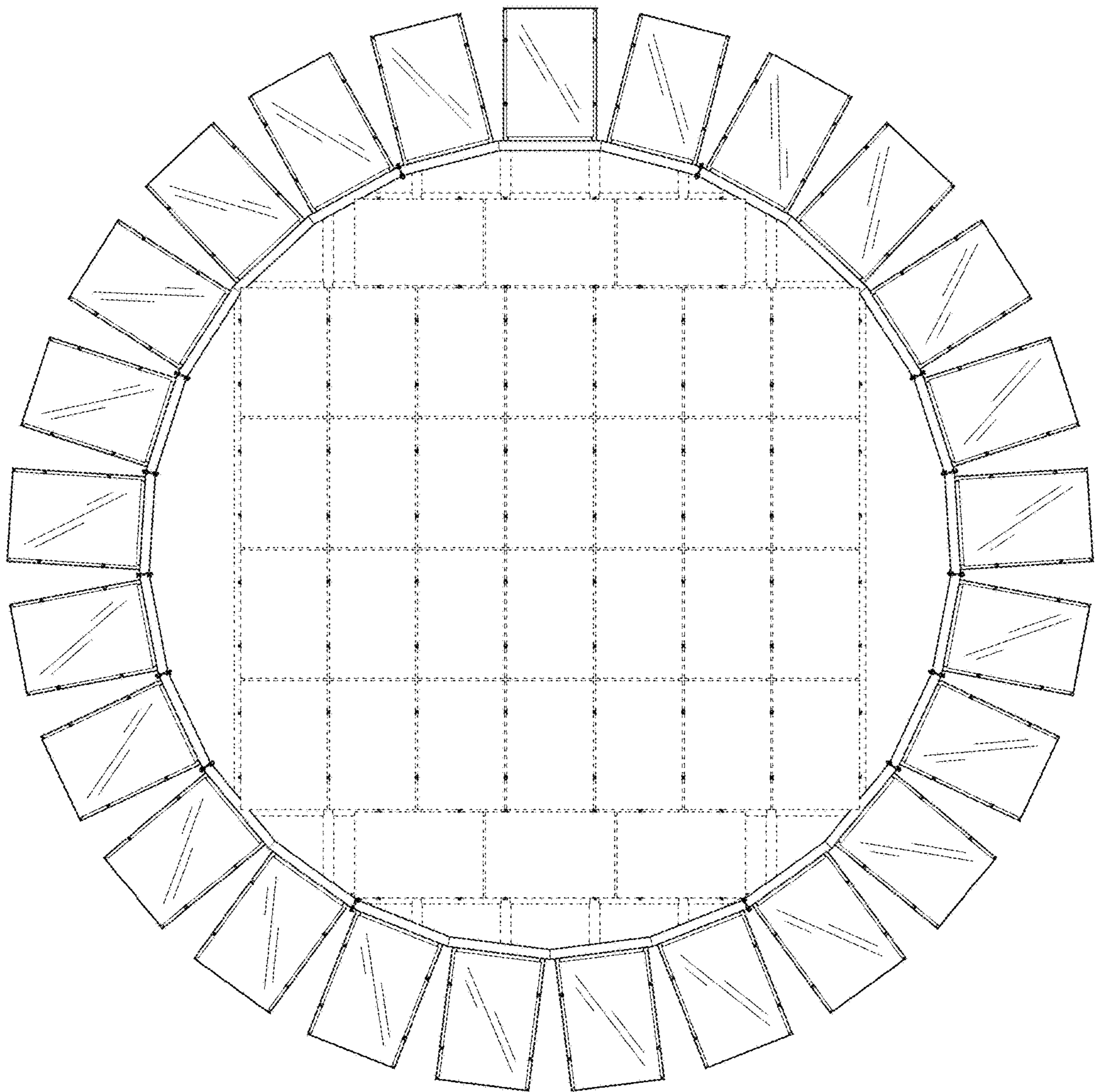


FIG. 83

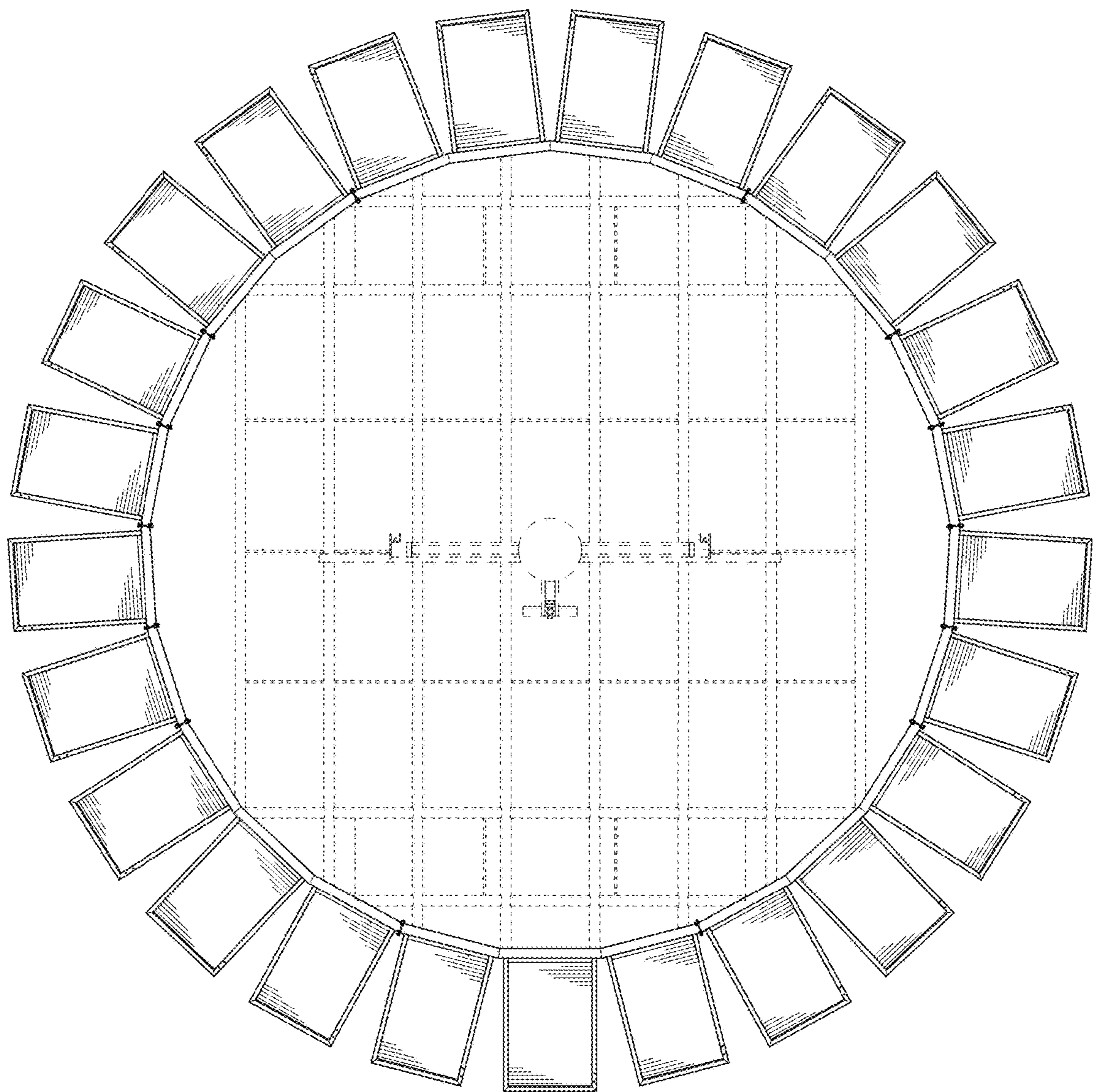


FIG. 84