



US00D817855S

(12) **United States Design Patent**
Velie

(10) **Patent No.:** **US D817,855 S**

(45) **Date of Patent:** **** May 15, 2018**

(54) **FOLD UP UTILITY BOX**

(71) Applicant: **Caleb Velie**, Okeechobee, FL (US)

(72) Inventor: **Caleb Velie**, Okeechobee, FL (US)

(**) Term: **15 Years**

(21) Appl. No.: **29/620,626**

(22) Filed: **Mar. 24, 2017**

(51) **LOC (11) Cl.** **12-16**

(52) **U.S. Cl.**
USPC **D12/414.1**

(58) **Field of Classification Search**

USPC ... D12/414.1, 414, 413, 412, 221, 406, 157,
D12/423, 414.4; D6/552, 317-319,
D6/513-514; D3/304-306; D32/35, 58
CPC B60R 7/02; B60R 9/04; B60R 9/055
See application file for complete search history.

(56) **References Cited**

U.S. PATENT DOCUMENTS

D623,121 S * 9/2010 Lewis D12/414.1
D626,062 S * 10/2010 Giddens D12/414.1

D658,373 S * 5/2012 Gros D12/414.1
D713,323 S * 9/2014 Gearner, III D12/414.1
D720,281 S * 12/2014 Grant D12/414.1
D720,680 S * 1/2015 Vitoorapakorn D12/414.1
D755,707 S * 5/2016 Roach D12/414.1
D766,810 S * 9/2016 Haun D12/414.1
D770,359 S * 11/2016 Winn D12/414.1
D771,544 S * 11/2016 Christofferson D12/414.1
D772,141 S * 11/2016 Christofferson D12/414.1

* cited by examiner

Primary Examiner — Katrina A Betton

(74) *Attorney, Agent, or Firm* — Mars Rising

(57) **CLAIM**

I claim the ornamental design for a fold up utility box, as shown and described.

DESCRIPTION

FIG. 1 is a front side perspective view of a fold up utility box showing my new design;
FIG. 2 is a front opposite side perspective view thereof;
FIG. 3 is a front side perspective view thereof in an alternate position of use; and,
FIG. 4 is a front side perspective view thereof in yet another alternate position of use.

1 Claim, 4 Drawing Sheets

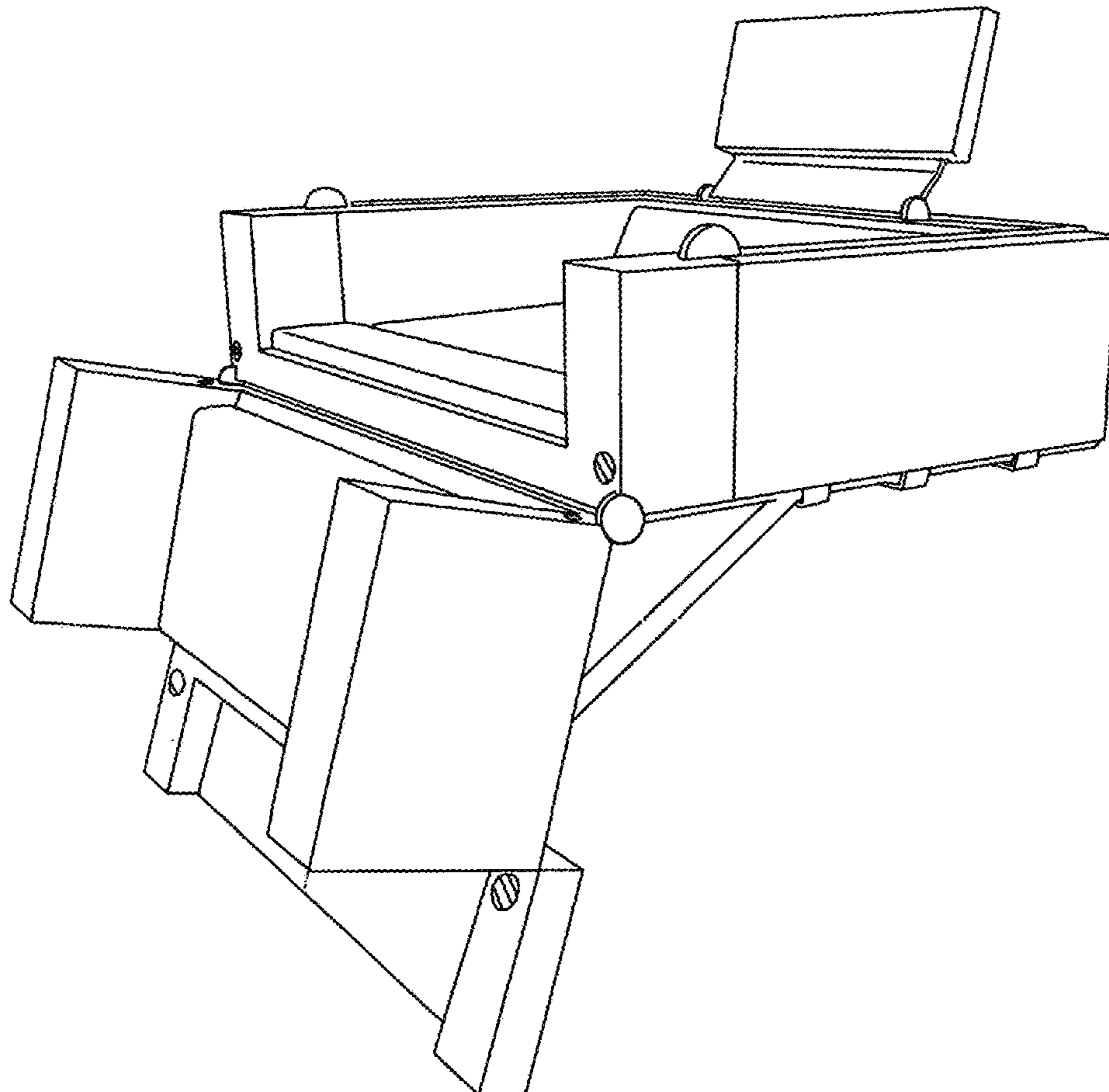


Fig. 1

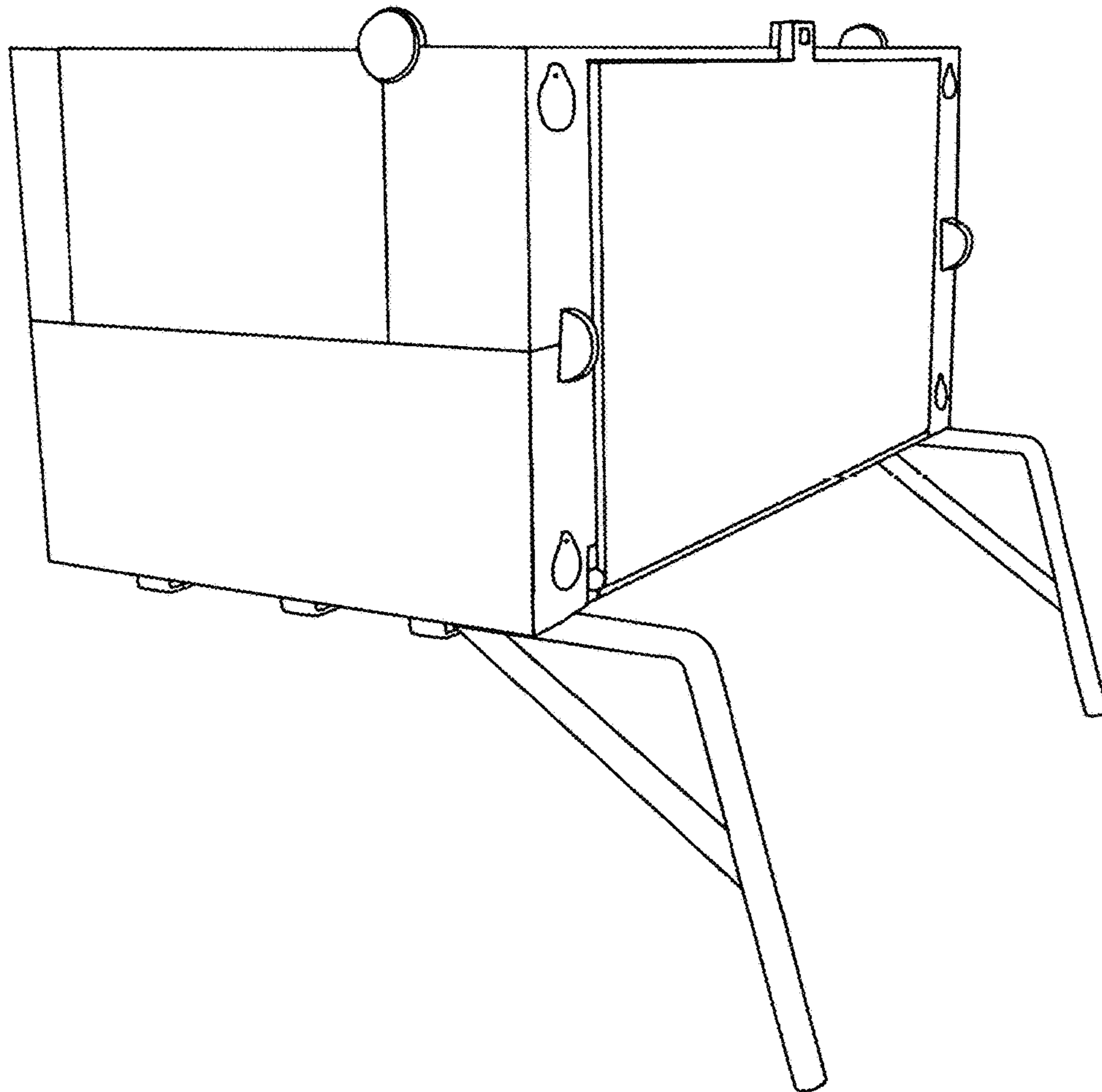


Fig. 2

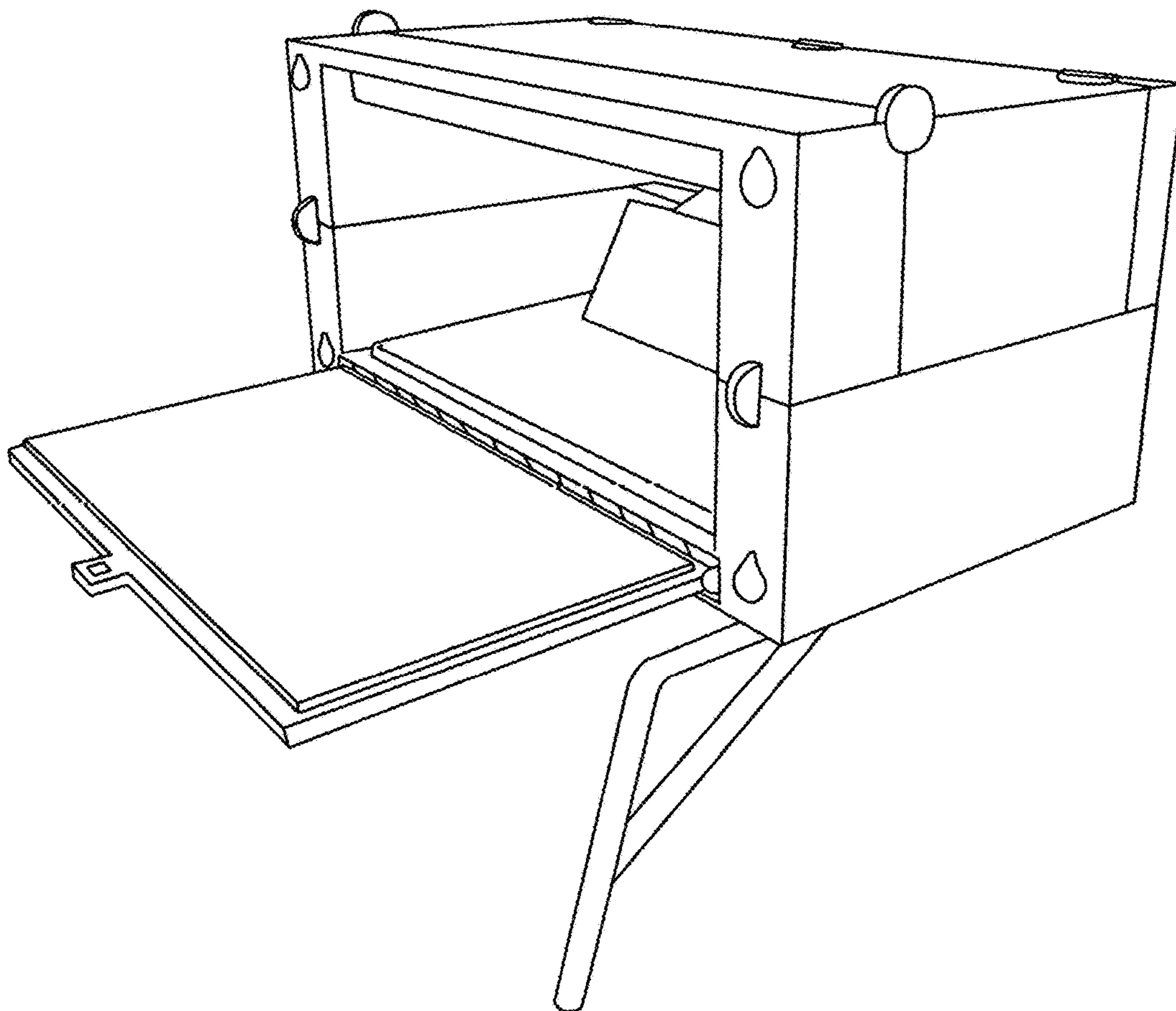


Fig. 3

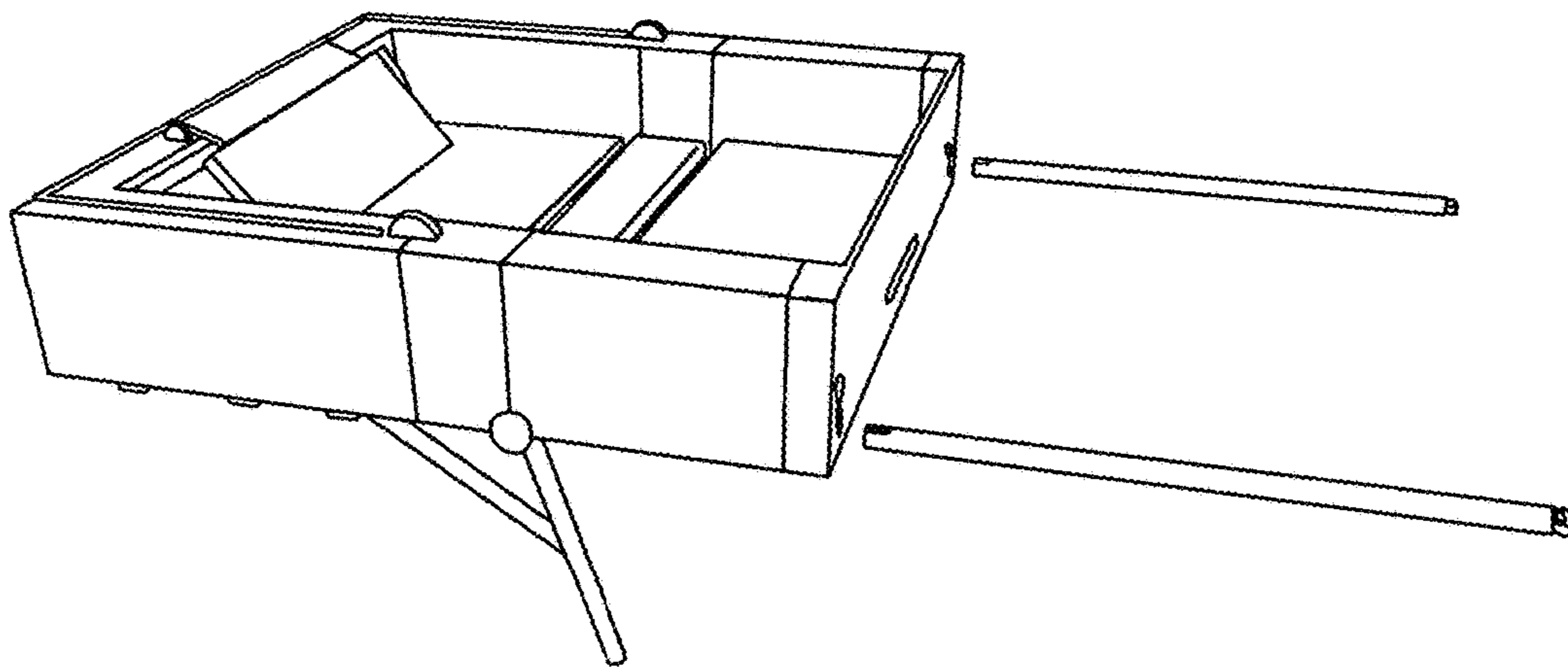


Fig. 4

