



US00D817854S

(12) **United States Design Patent**
Motherwell

(10) **Patent No.:** **US D817,854 S**

(45) **Date of Patent:** **** May 15, 2018**

(54) **LUGGAGE RACK**

(71) Applicant: **Kelly Motherwell**, Langley (CA)

(72) Inventor: **Kelly Motherwell**, Langley (CA)

(**) Term: **15 Years**

(21) Appl. No.: **29/549,805**

(22) Filed: **Dec. 28, 2015**

(51) **LOC (11) Cl.** **12-16**

(52) **U.S. Cl.**
USPC **D12/407**

(58) **Field of Classification Search**
USPC D12/407, 406, 408, 400, 412, 413, 414,
D12/414.1, 114, 115, 120; D6/552

CPC B60R 9/00; B60R 9/04; B60R 9/06; B60R
9/10; B62J 7/00; B62J 7/04

See application file for complete search history.

(56) **References Cited**

U.S. PATENT DOCUMENTS

D230,018 S *	1/1974	Abrams	D12/407
D230,965 S *	3/1974	Heltzen	D12/407
D233,517 S *	11/1974	Girvin, III	D12/407
D239,618 S *	4/1976	Duer et al.	D12/412
D255,561 S *	6/1980	Pold	D12/407
D271,389 S *	11/1983	Turkington	D12/407
D374,422 S *	10/1996	Gogan	D12/407
D376,344 S *	12/1996	Gogan	D12/407
D385,846 S *	11/1997	Gogan	D12/407
D386,468 S *	11/1997	Gogan	D12/407
D388,394 S *	12/1997	Gogan	D12/407
D392,247 S *	3/1998	Gogan	D12/407

D395,420 S *	6/1998	Gogan	D12/407
D399,479 S *	10/1998	Jones	D12/407
D405,412 S *	2/1999	Gogan	D12/407
D422,553 S *	4/2000	VonDuyke	D12/412
D427,963 S *	7/2000	Gogan	D12/407
D649,507 S *	11/2011	Loynds	D12/407
D719,904 S *	12/2014	Rickard	D12/412
D730,266 S *	5/2015	Schanz	D12/407
D735,635 S *	8/2015	Sonnentag	D12/407

* cited by examiner

Primary Examiner — Geroge D. Kirschbaum

Assistant Examiner — Clese Moore, Jr.

(74) *Attorney, Agent, or Firm* — Schacht Law Office,
Inc.; Dwayne Rogge

(57) **CLAIM**

The ornamental design for a luggage rack, as shown and described.

DESCRIPTION

FIG. 1 is a top isometric view of the luggage rack showing my new design;

FIG. 2 is a side view thereof with the opposing side view being a mirror image thereof;

FIG. 3 is a top view thereof;

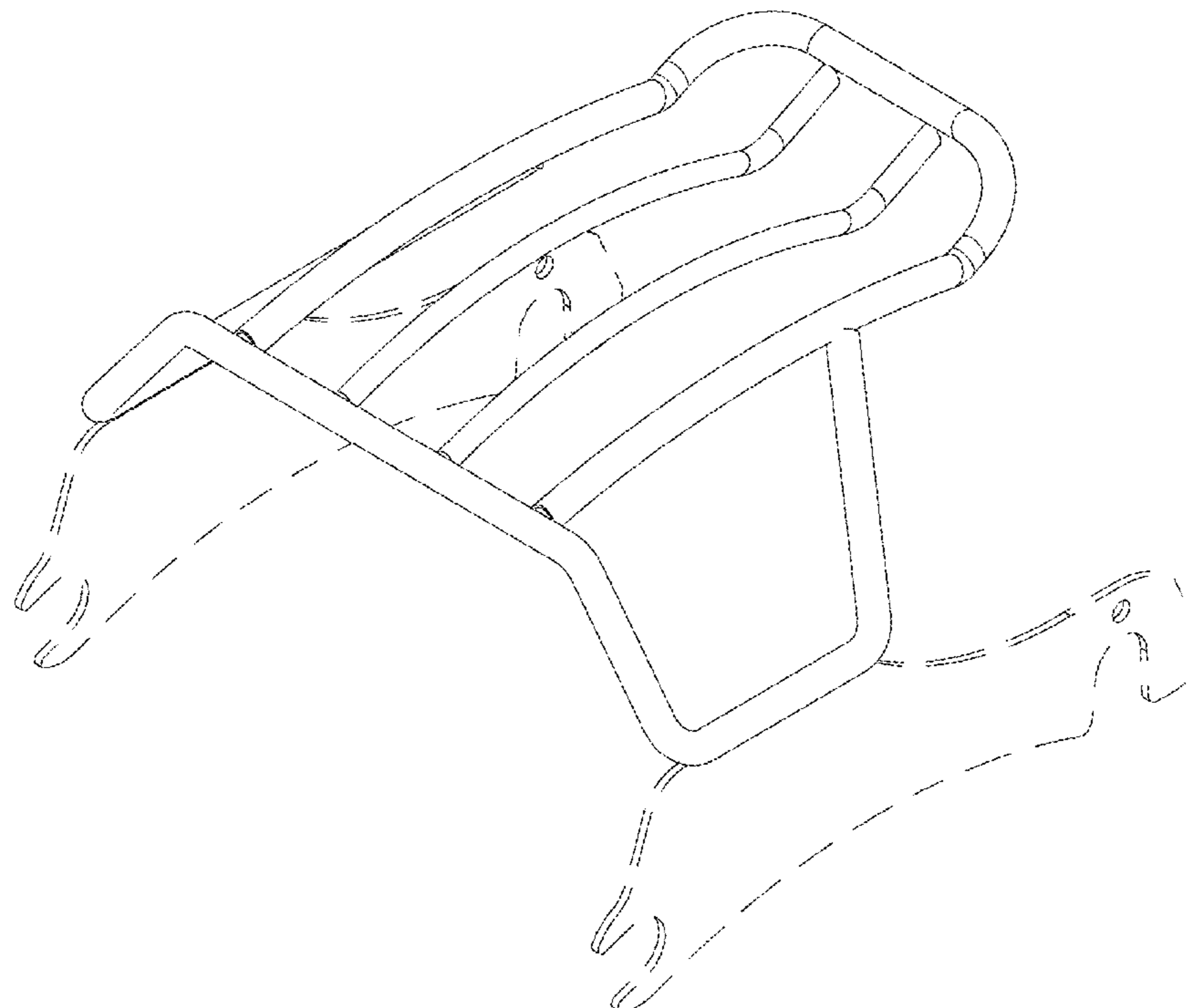
FIG. 4 is a rear view thereof;

FIG. 5 is a bottom view thereof; and,

FIG. 6 is a front view thereof.

Broken lines shown illustrate portions of the luggage rack that form no part of the claimed design.

1 Claim, 3 Drawing Sheets



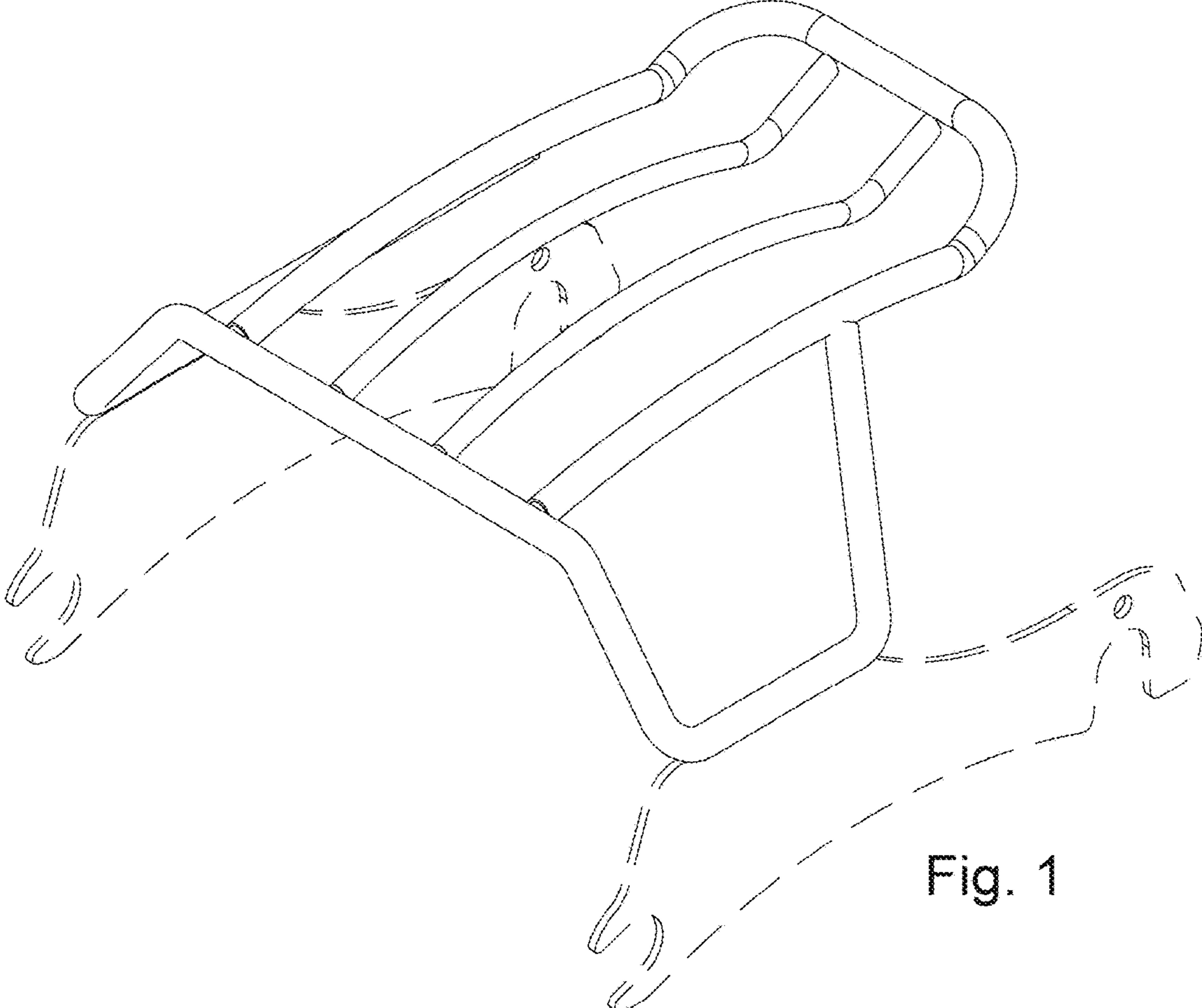


Fig. 1

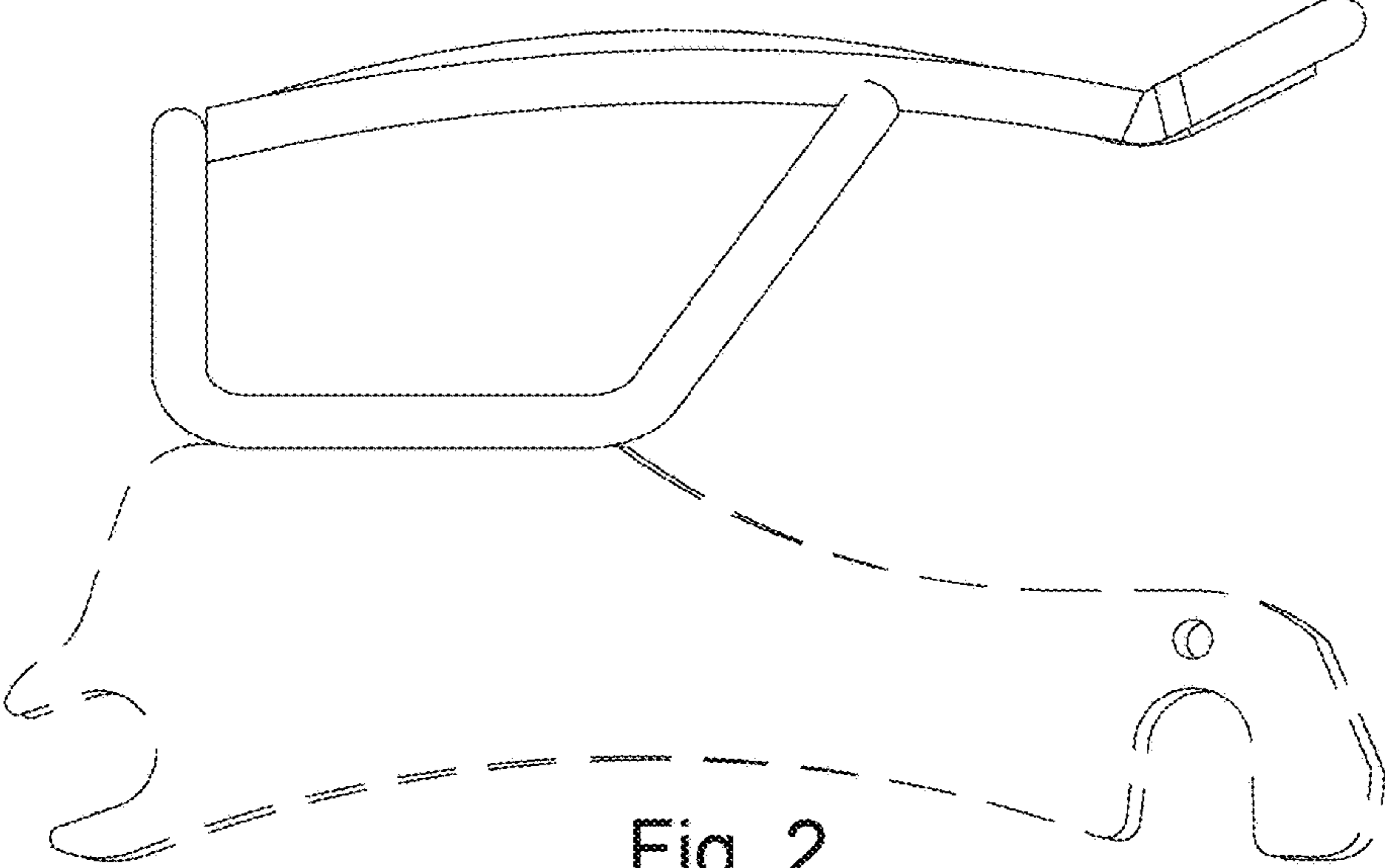


Fig. 2

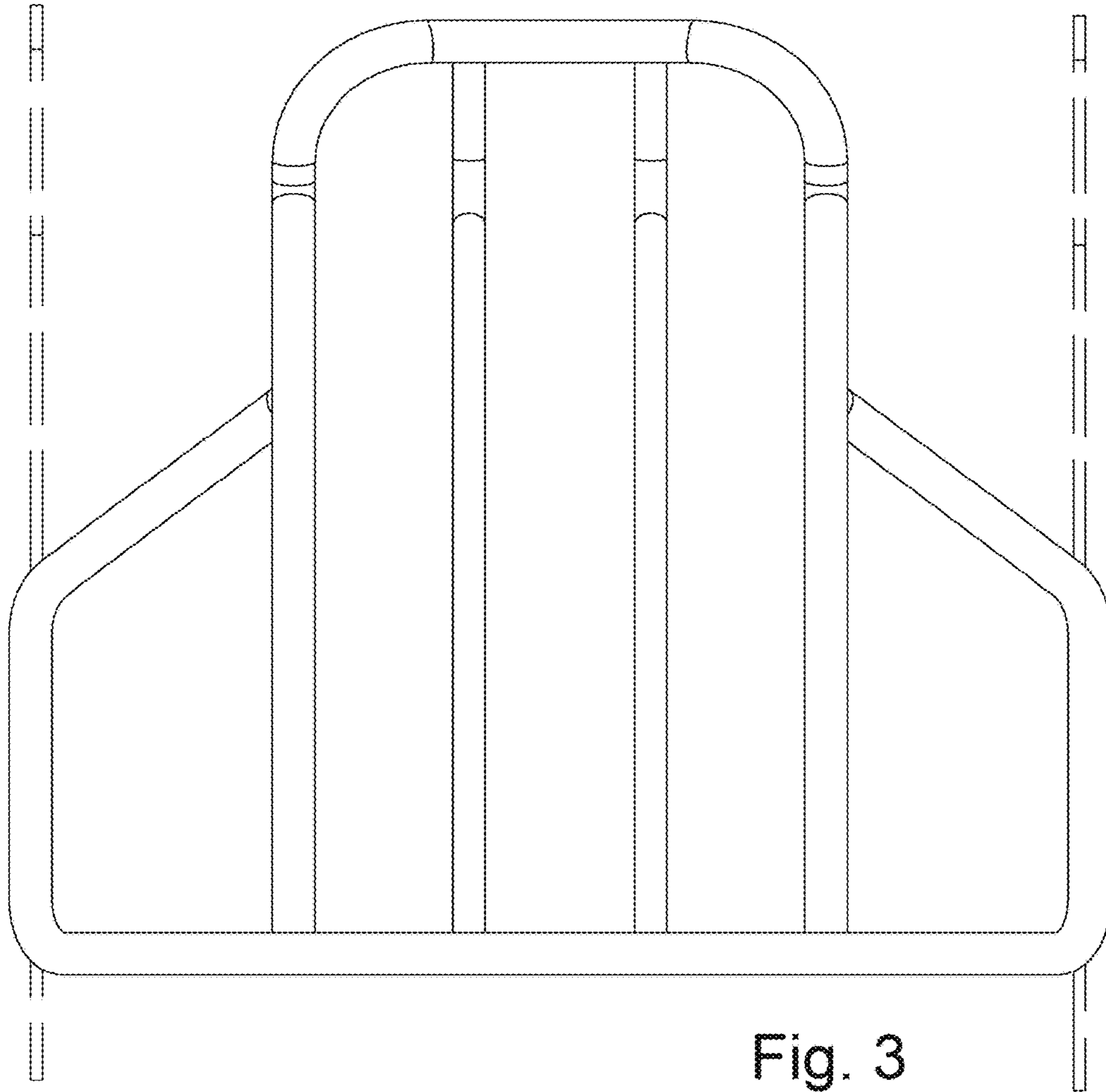


Fig. 3

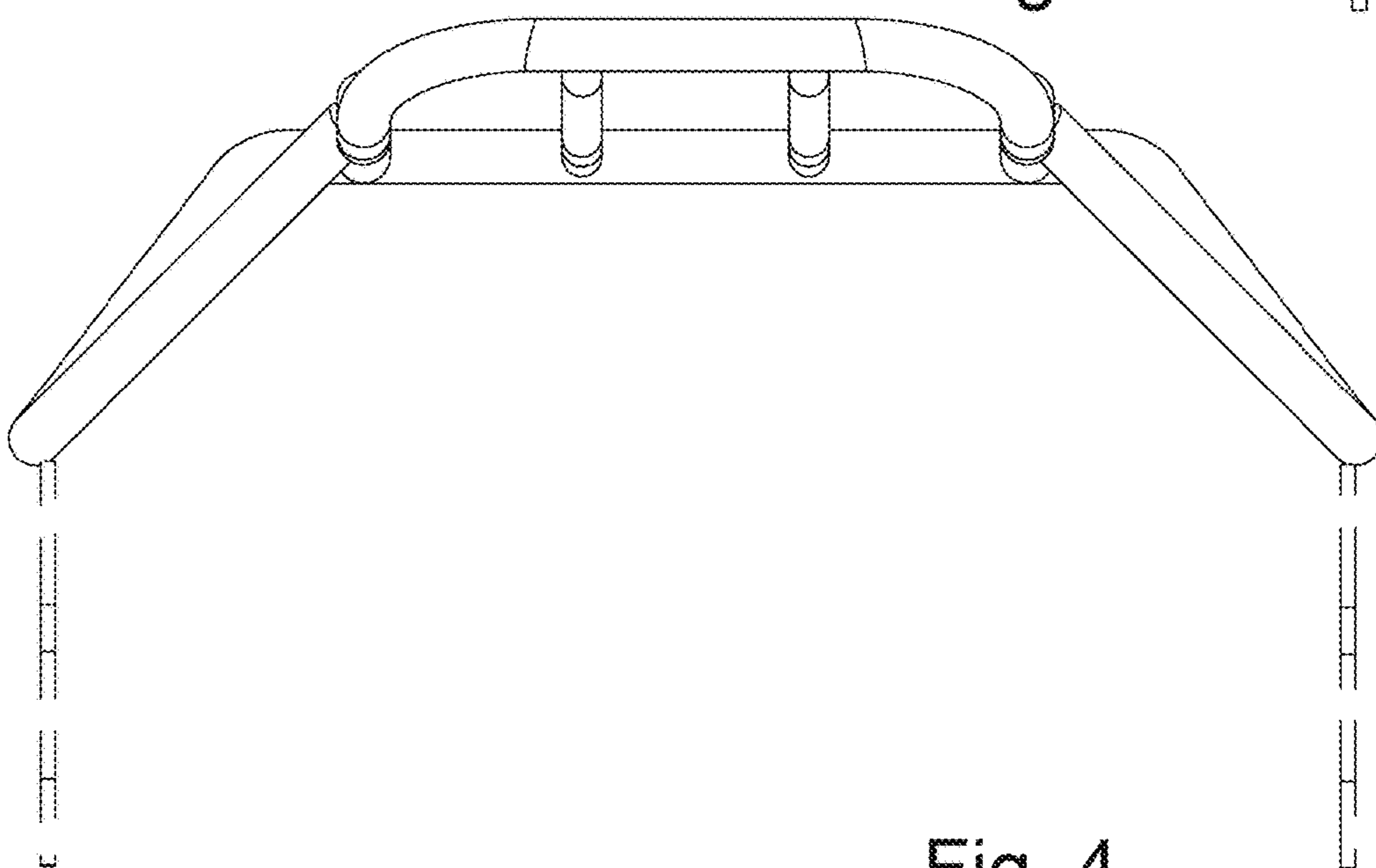


Fig. 4

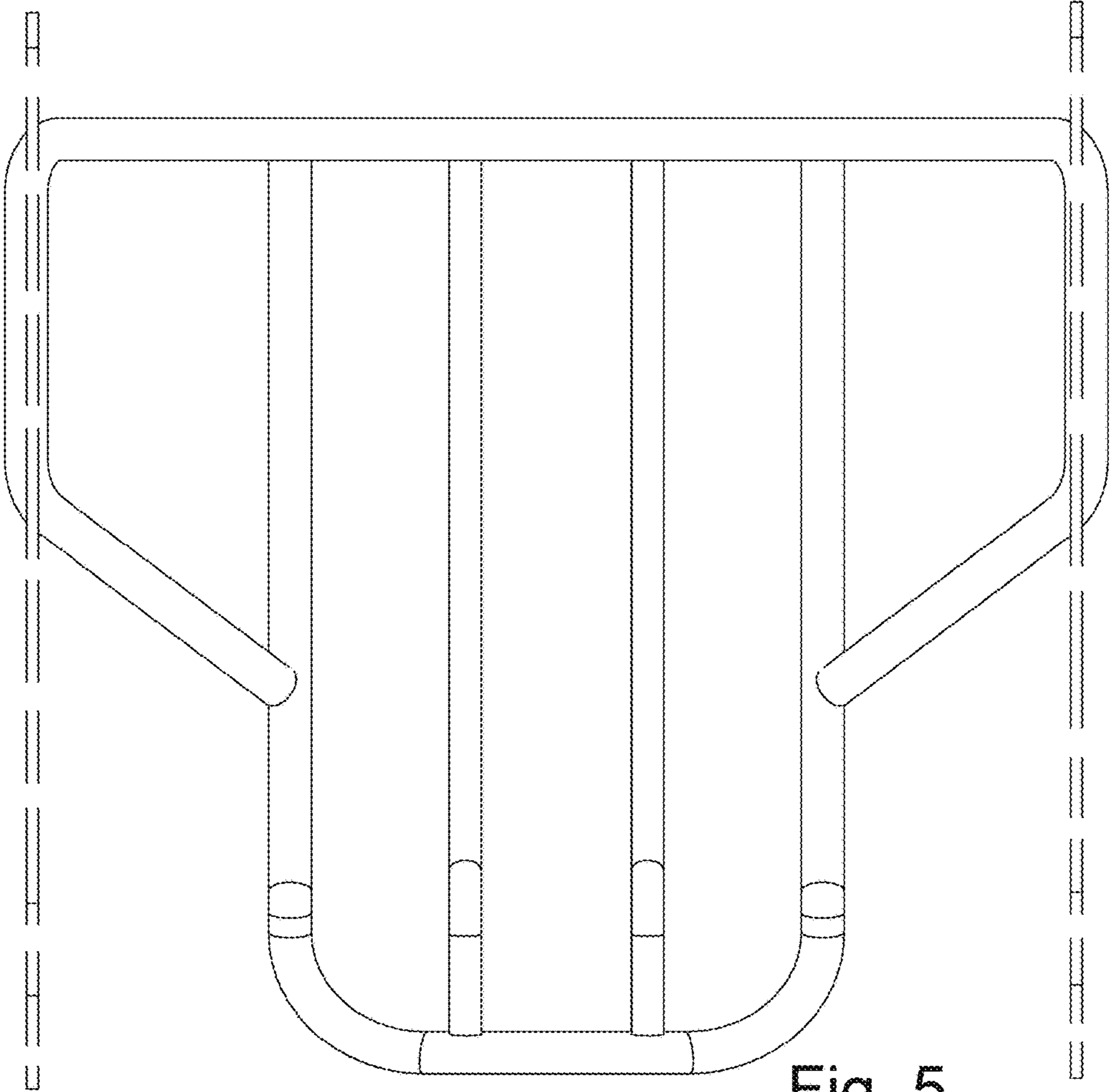


Fig. 5

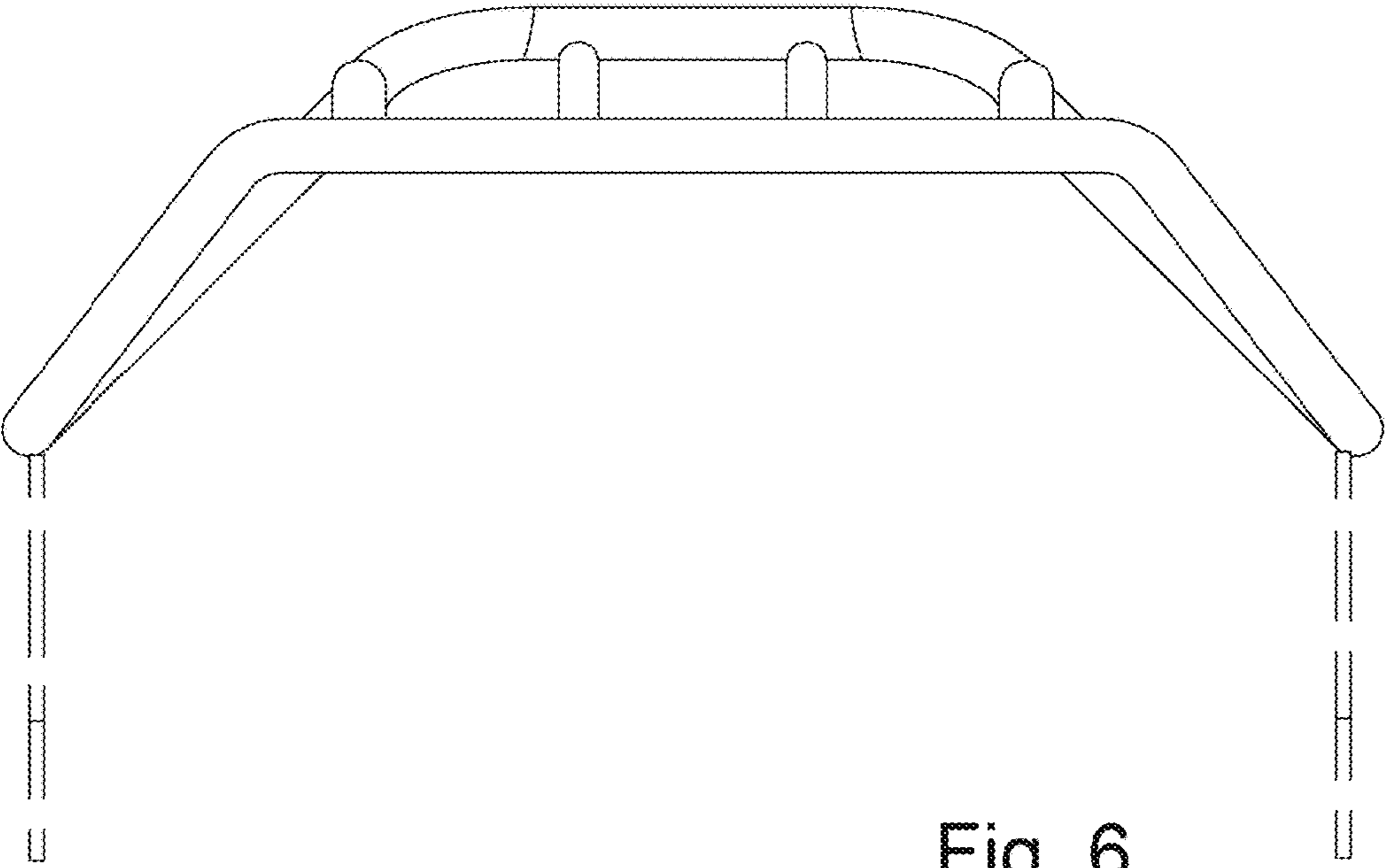


Fig. 6