



US00D817853S

(12) **United States Design Patent** (10) **Patent No.:** **US D817,853 S**  
**Abrantes** (45) **Date of Patent:** **\*\* May 15, 2018**

(54) **SURFBOARD HOLDER FOR VEHICLE**  
(71) Applicant: **Joseph Abrantes**, El Cajon, CA (US)  
(72) Inventor: **Joseph Abrantes**, El Cajon, CA (US)  
(\*\*) Term: **15 Years**  
(21) Appl. No.: **29/603,462**  
(22) Filed: **May 10, 2017**  
(51) **LOC (11) Cl.** ..... **12-16**  
(52) **U.S. Cl.**  
USPC ..... **D12/406**  
(58) **Field of Classification Search**  
USPC ..... D12/401-406; D6/610-611  
CPC .... B60R 9/00; B60R 9/02; B60R 9/04; B60R  
9/08; B60R 9/042; B60R 9/0423; B60R  
9/0426; B60R 9/045; B60R 9/048; B60R  
9/0485; B60R 9/05; B60R 9/052; B60R  
9/055; B60R 9/058; B60R 9/06; B60R  
9/065; B60R 9/10; B60R 9/12  
See application file for complete search history.

(56) **References Cited**  
U.S. PATENT DOCUMENTS  
D262,170 S \* 12/1981 Sultzbaugh ..... D6/681  
4,878,585 A \* 11/1989 Orestano ..... A47F 7/0028  
211/87.01  
5,014,955 A \* 5/1991 Thompson ..... A47F 7/00  
206/583  
5,141,116 A \* 8/1992 Mojica ..... A47F 7/0028  
211/60.1  
5,673,889 A \* 10/1997 DeValcourt ..... B60R 9/08  
224/319  
5,833,079 A \* 11/1998 Roberts ..... A47B 81/00  
211/105.1  
7,451,968 B2 \* 11/2008 Geldert ..... B25B 5/163  
269/258

7,721,900 B2 \* 5/2010 Waterman ..... A47B 81/005  
211/70.5  
9,346,524 B2 \* 5/2016 Dubois ..... B63B 35/7946  
9,644,788 B1 \* 5/2017 Mariner, Jr. .... F16M 13/02  
D808,888 S \* 1/2018 Puchkoff ..... D12/406  
D808,889 S \* 1/2018 Puchkoff ..... D12/406  
2009/0032485 A1 \* 2/2009 Berry ..... A63C 11/028  
211/85.7

\* cited by examiner

*Primary Examiner* — Katrina A Betton  
(74) *Attorney, Agent, or Firm* — Mitchell Law PLLC;  
Matthew W. Mitchell

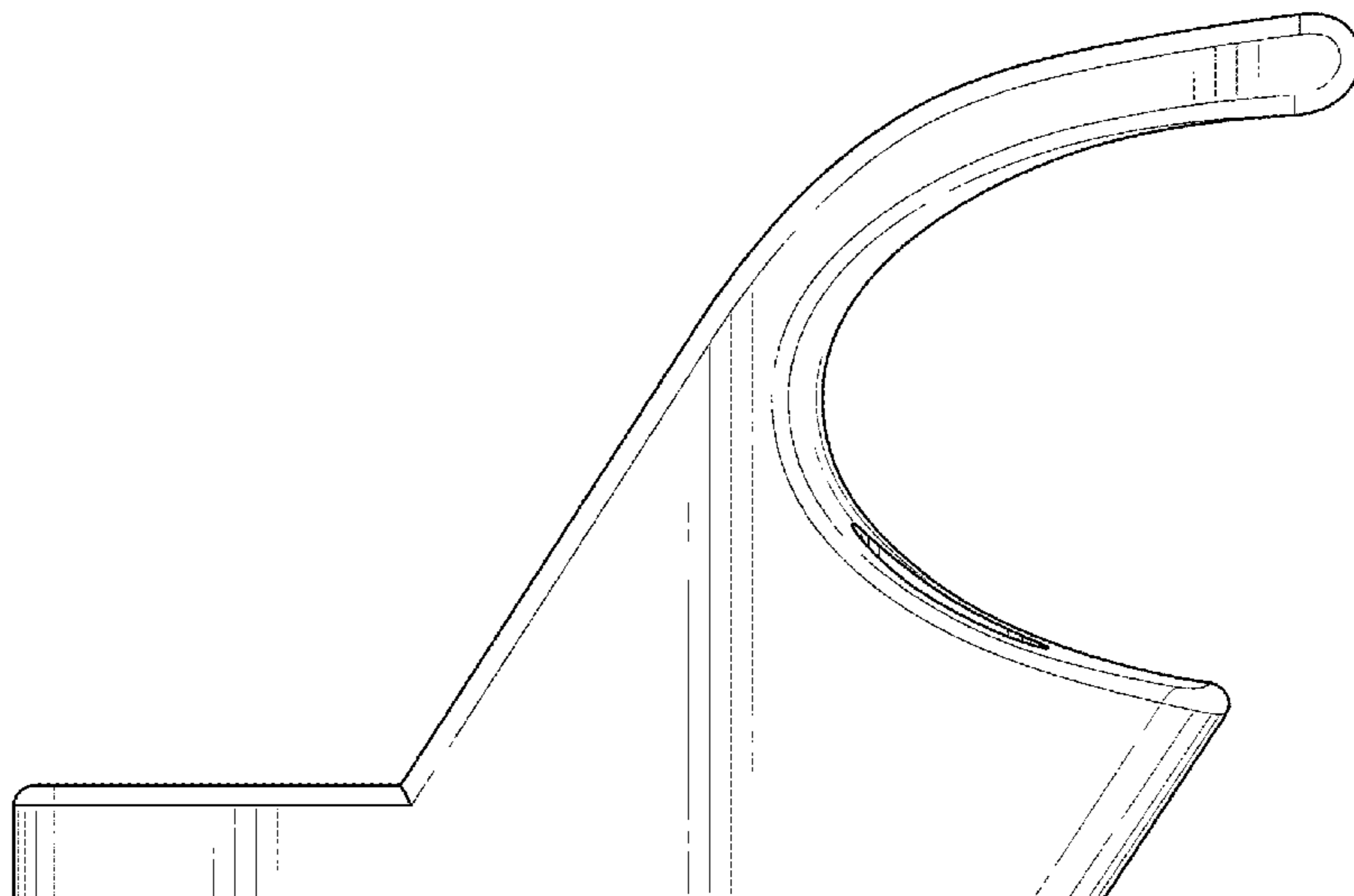
(57) **CLAIM**

The ornamental design for a surfboard holder for vehicle, as shown and described.

**DESCRIPTION**

FIG. 1 is a front isometric view of the surfboard holder for vehicle of the present invention;  
FIG. 2 is a front view of the invention of FIG. 1;  
FIG. 3 is a back view of the invention of FIG. 1;  
FIG. 4 is a side view of the invention of FIG. 1, as seen from the left side of FIG. 2;  
FIG. 5 is a side view of the invention of FIG. 1, as seen from the right side of FIG. 2;  
FIG. 6 is a top plan view of the invention of FIG. 1; and,  
FIG. 7 is an exemplary perspective view of the invention of FIG. 1 being used in conjunction with additional holders to secure a surfboard on a vehicle.  
The broken lines on FIG. 7 form no part of the claimed design.

**1 Claim, 7 Drawing Sheets**



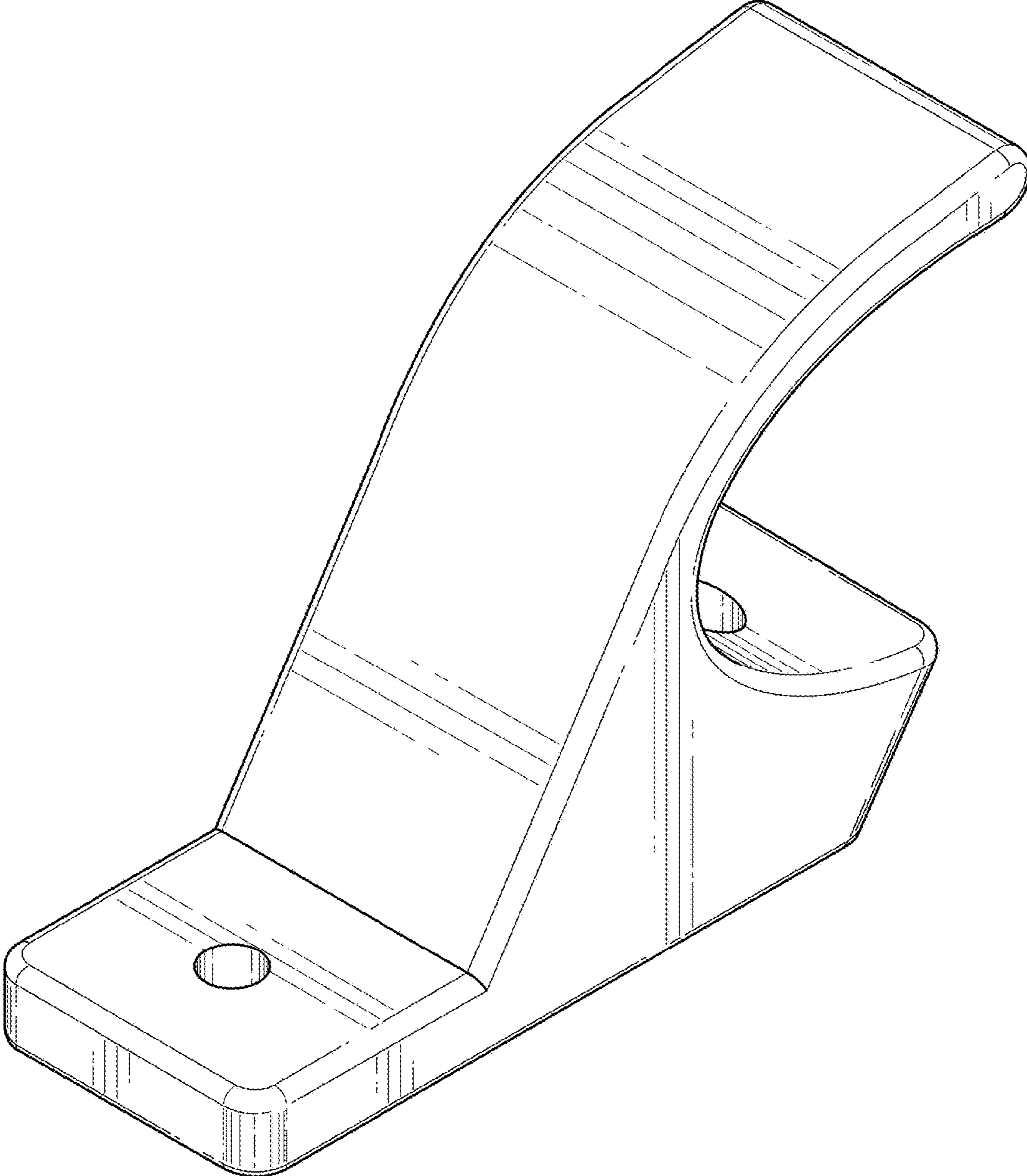


FIG. 1

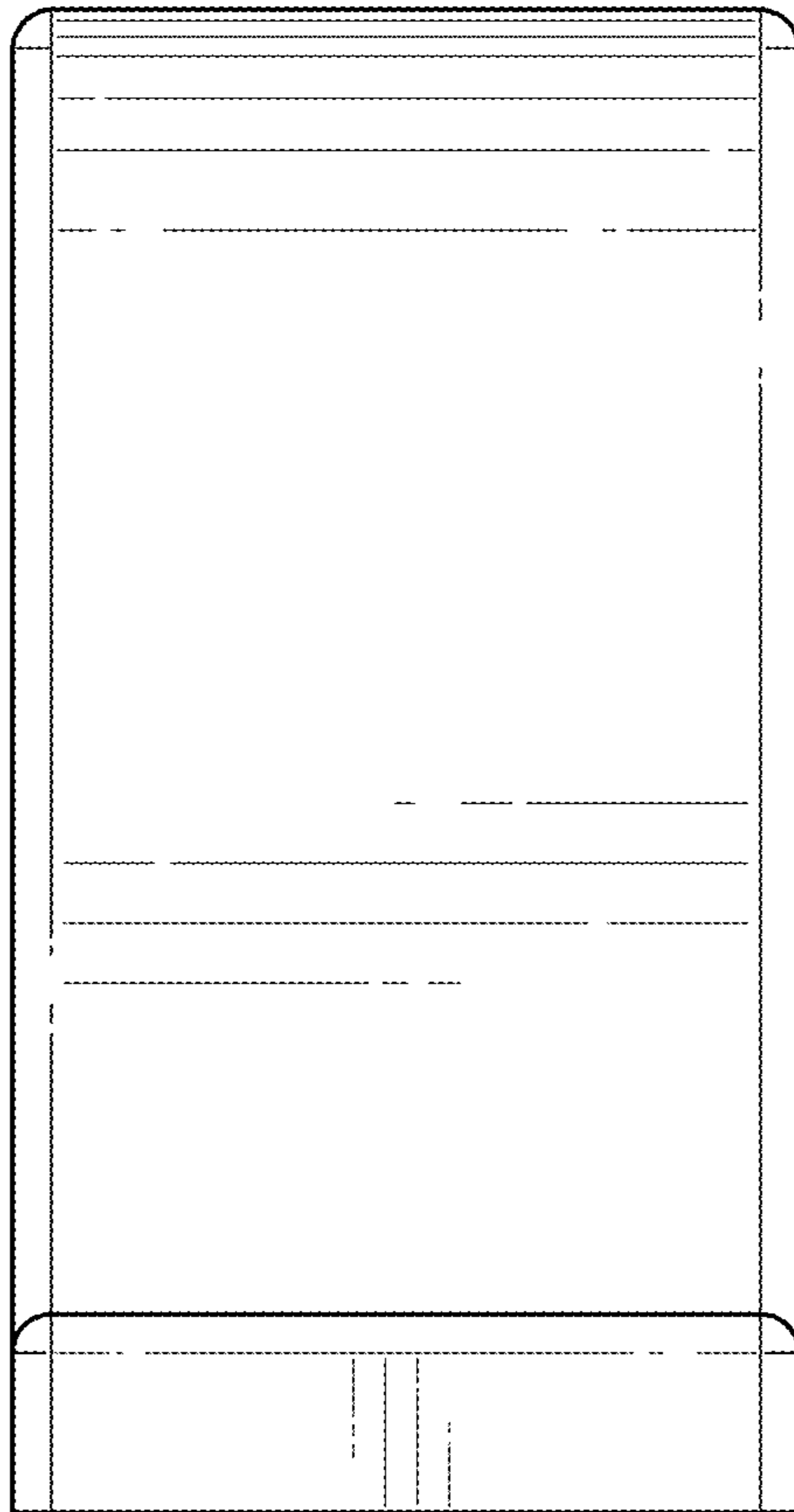


FIG. 2

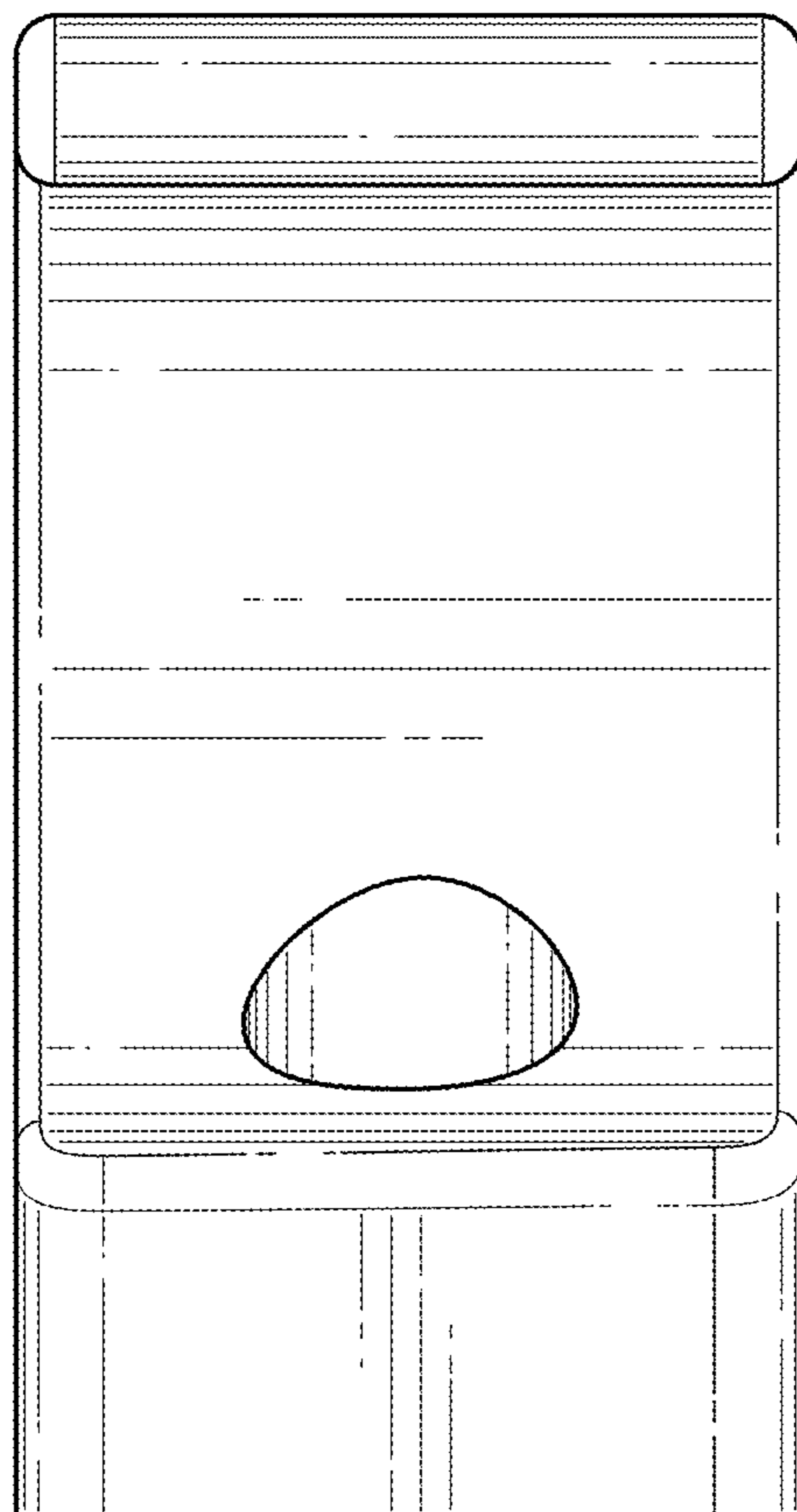


FIG. 3

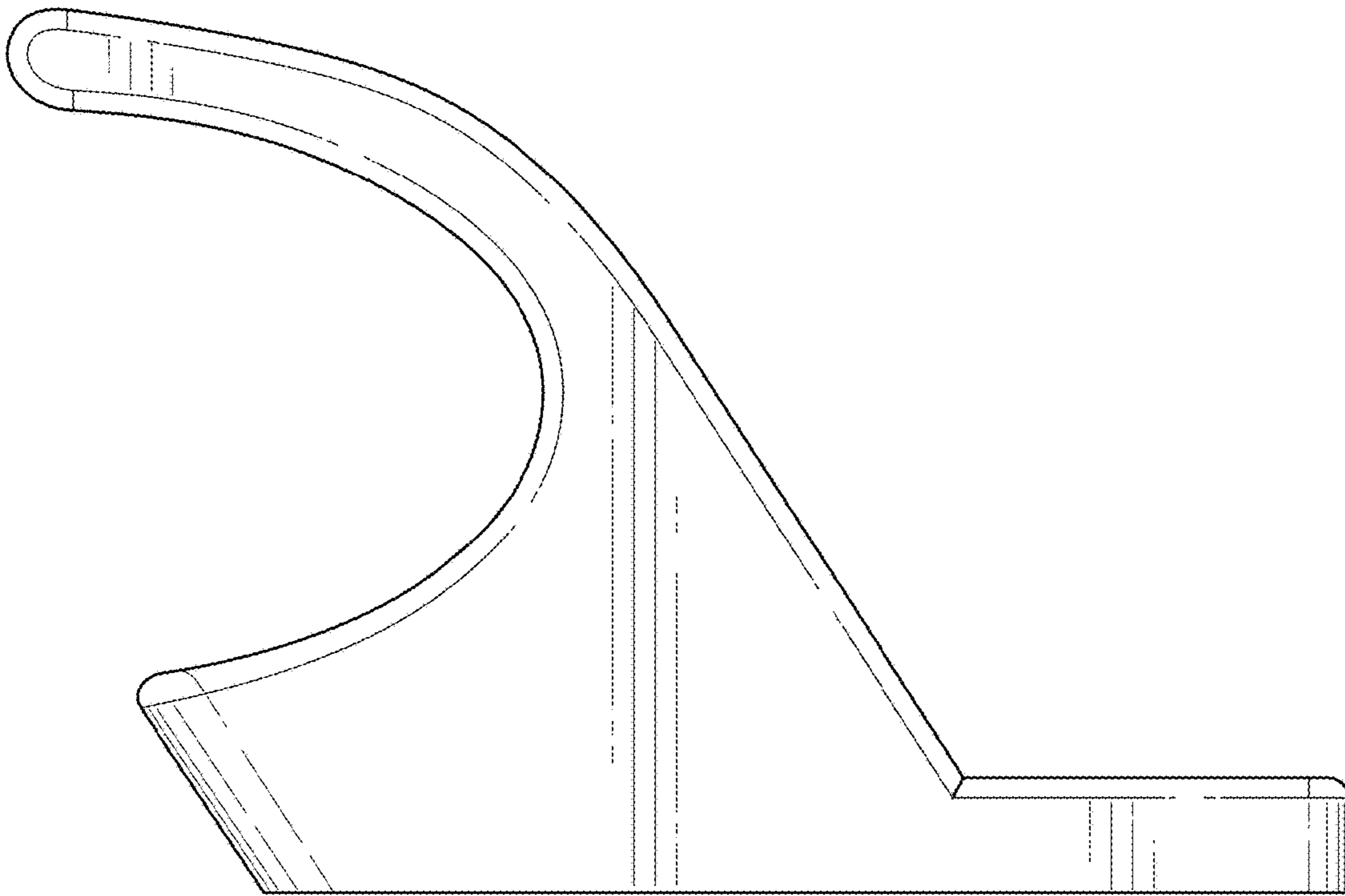


FIG. 4

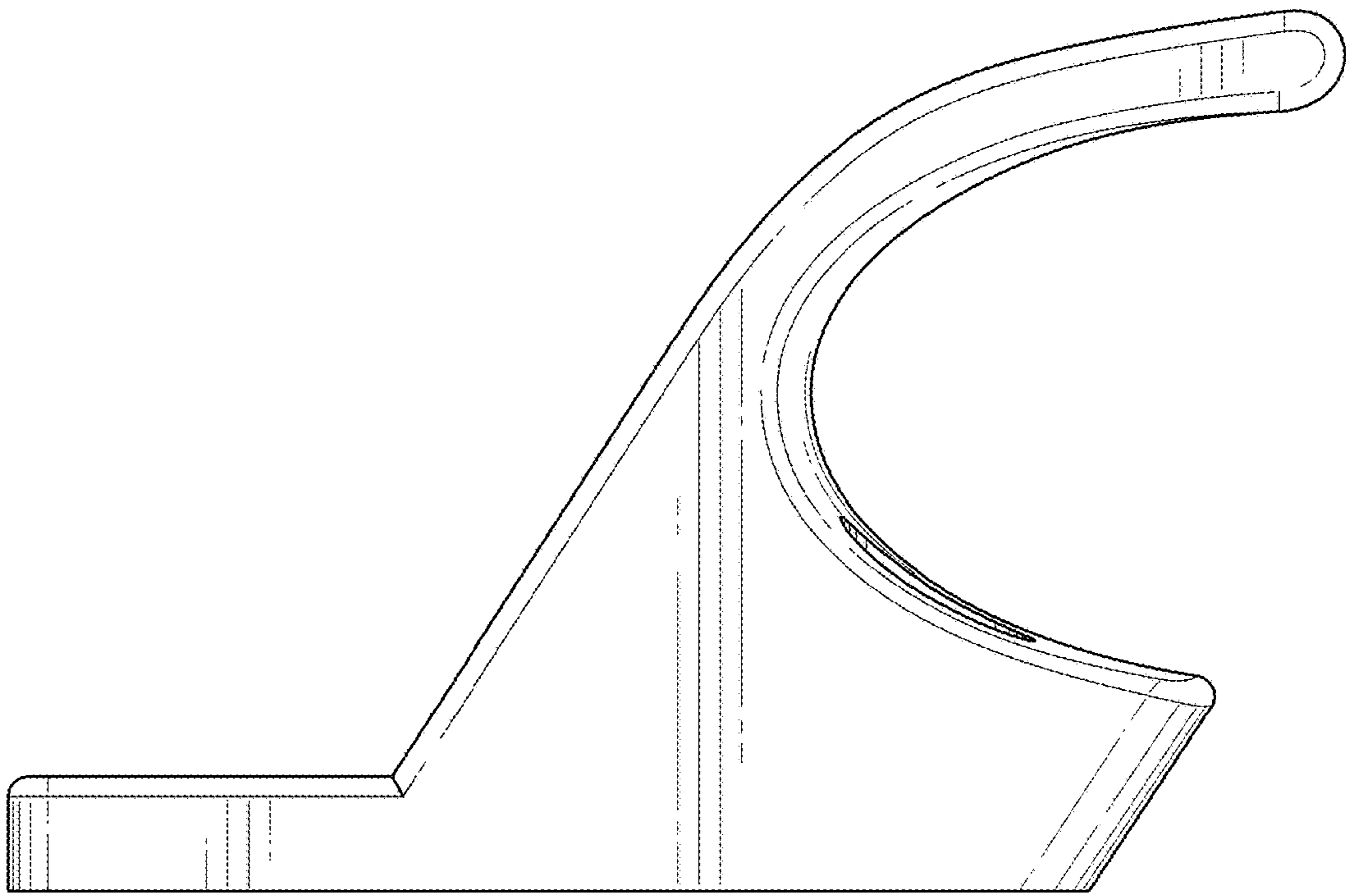


FIG. 5

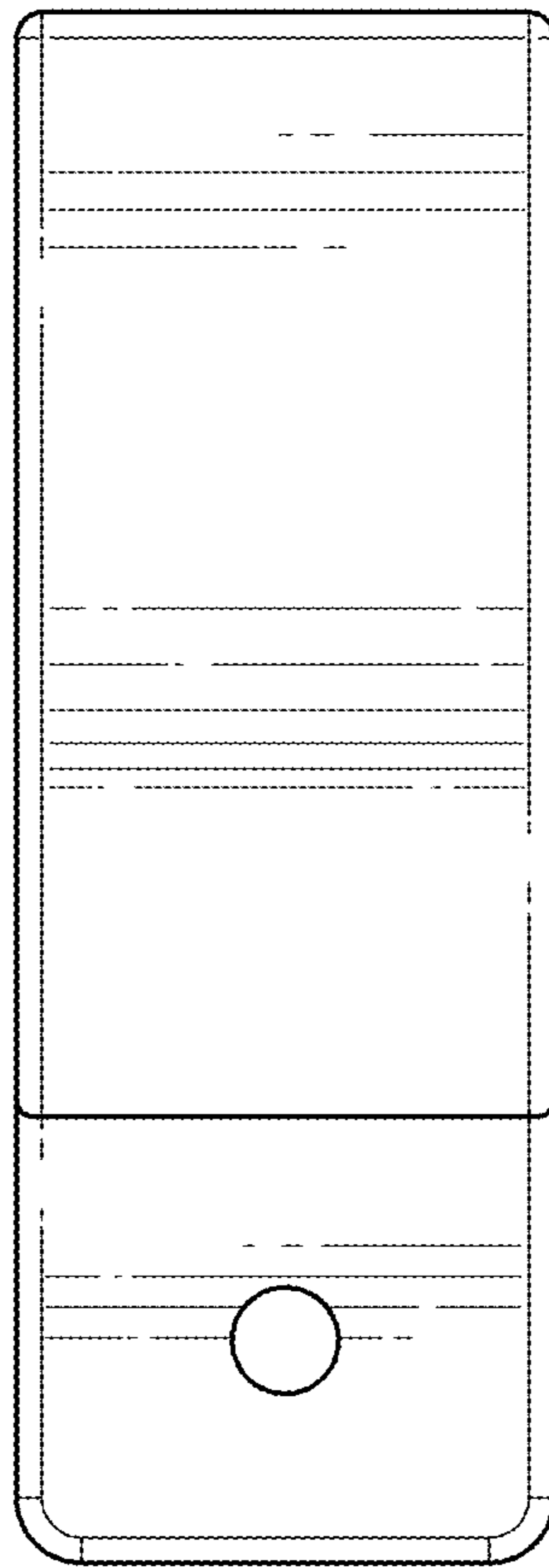


FIG. 6

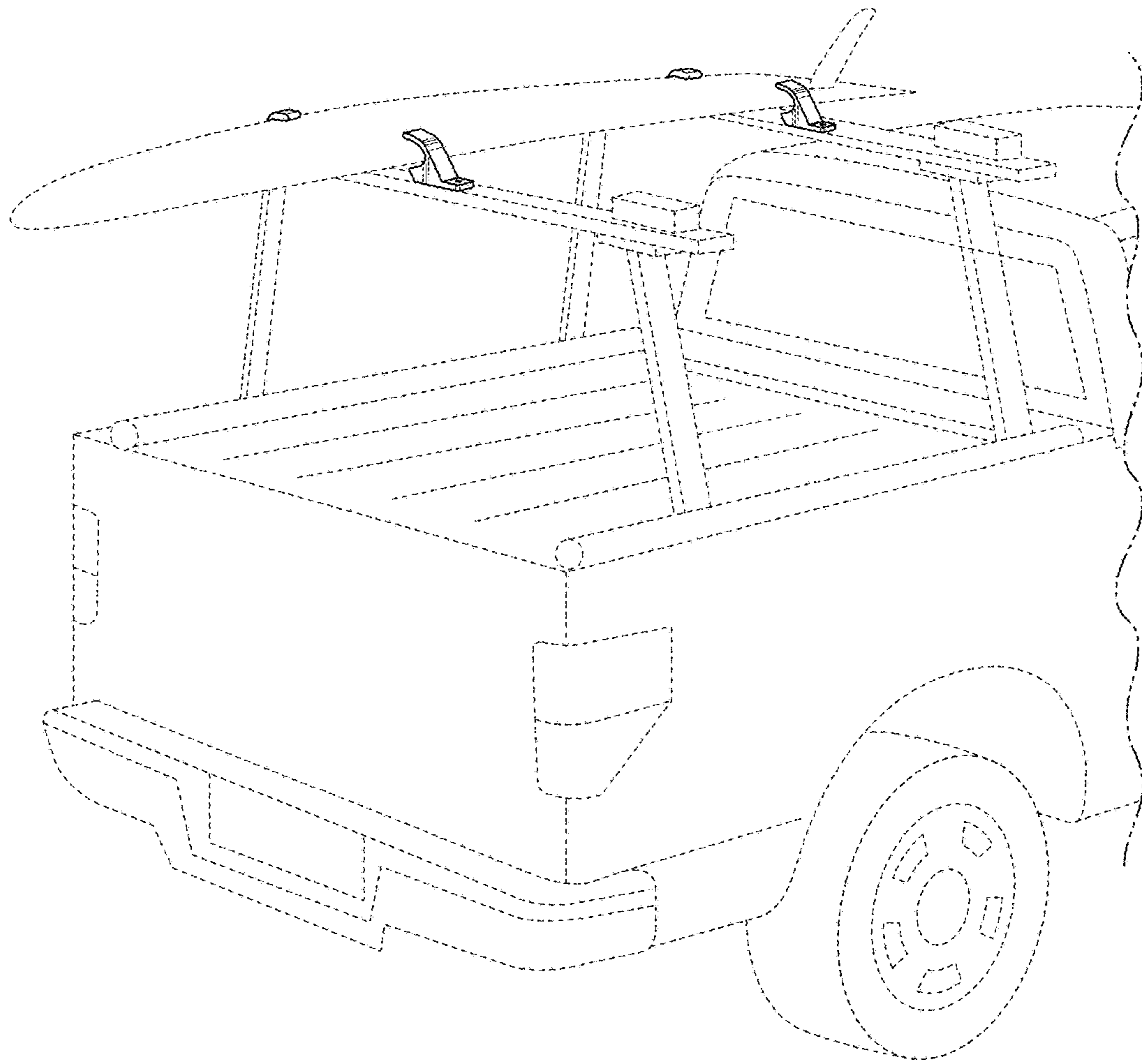


FIG. 7