



US00D817852S

(12) **United States Design Patent** (10) **Patent No.:** **US D817,852 S**
Mifsud et al. (45) **Date of Patent:** **** May 15, 2018**

(54) **GRIPPING RACK**

(71) Applicants: **Thomas Mifsud**, Auburn, WA (US);
David Ramsey, Corpus Christi, TX
(US); **Brian Stenger**, Big Horn, WY
(US)

(72) Inventors: **Thomas Mifsud**, Auburn, WA (US);
David Ramsey, Corpus Christi, TX
(US); **Brian Stenger**, Big Horn, WY
(US)

(**) Term: **15 Years**

(21) Appl. No.: **29/598,618**

(22) Filed: **Mar. 27, 2017**

(51) **LOC (11) Cl.** **12-16**

(52) **U.S. Cl.**
USPC **D12/406**

(58) **Field of Classification Search**
USPC D12/401-406; D6/610-611
CPC B60R 9/00; B60R 9/02; B60R 9/04; B60R
9/08; B60R 9/042; B60R 9/0423; B60R
9/0426; B60R 9/045; B60R 9/048; B60R
9/0485; B60R 9/05; B60R 9/052; B60R
9/055; B60R 9/058; B60R 9/06; B60R
9/065; B60R 9/10; B60R 9/12
See application file for complete search history.

(56) **References Cited**

U.S. PATENT DOCUMENTS

D371,107 S	*	6/1996	Summers	D12/406
D427,765 S	*	7/2000	Porter	D12/406
D434,363 S	*	11/2000	McCoy	D12/406
D486,779 S	*	2/2004	Alberti	D12/406
D656,887 S	*	4/2012	Bogoslofski	D12/406

D658,566 S	*	5/2012	Gros	D12/406
D755,110 S	*	5/2016	Smith	D12/406
D755,686 S	*	5/2016	Clark	D12/406
D809,996 S	*	2/2018	Lee	D12/406
D810,654 S	*	2/2018	Dionisopoulos	D12/406
2013/0150826 A1	*	6/2013	Almohizea	A61M 5/00 604/506

OTHER PUBLICATIONS

“ATV UTV 4 Wheeler Bow Gun Utility Holder Rack” version 1,
downloaded from internet website: <http://www.gator-gripp.com/Gallery.html> on Mar. 27, 2017.

* cited by examiner

Primary Examiner — Katrina A Betton

(74) *Attorney, Agent, or Firm* — QuickPatents, LLC;
Kevin Prince

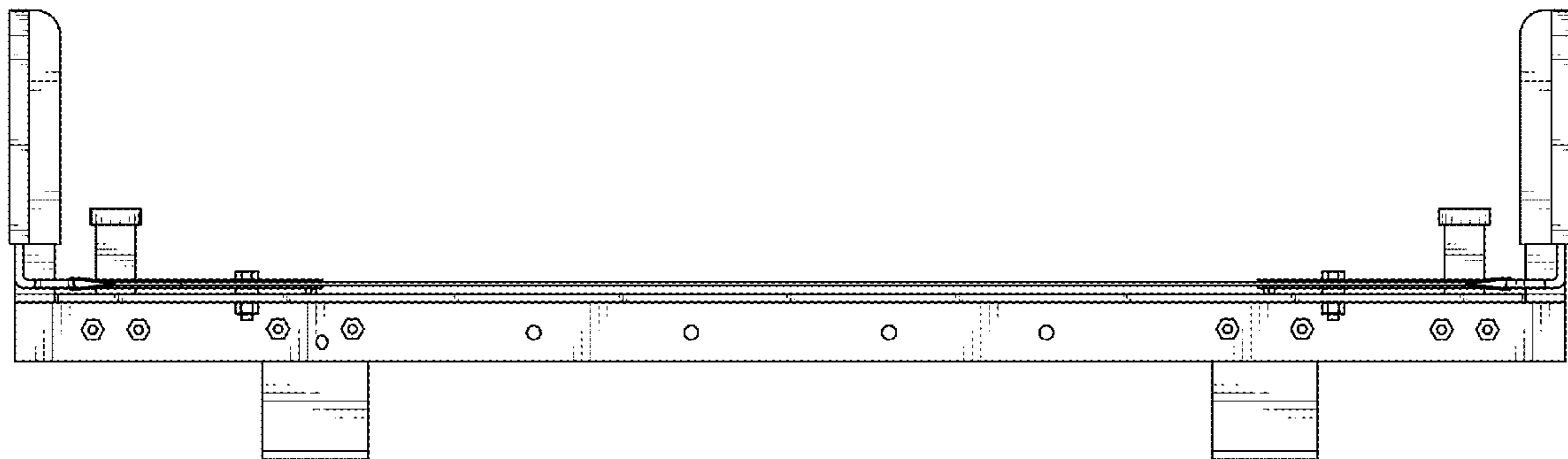
(57) **CLAIM**

We claim the ornamental design for a gripping rack, as
shown and described.

DESCRIPTION

FIG. 1 is a perspective view of a gripping rack, showing our
new design in a closed configuration;
FIG. 2 is a front elevational view of FIG. 1;
FIG. 3 is a rear elevational view of FIG. 1;
FIG. 4 is a left-side elevational view of FIG. 1;
FIG. 5 is a right-side elevational view of FIG. 1;
FIG. 6 is a top plan view of FIG. 1;
FIG. 7 is a bottom plan view of FIG. 1;
FIG. 8 is a top plan view thereof, illustrated in an open
configuration; and,
FIG. 9 is a perspective view of FIG. 8.
The broken lines showing a vehicle in FIG. 1 depict envi-
ronmental matter and form no part of the claimed design.

1 Claim, 6 Drawing Sheets



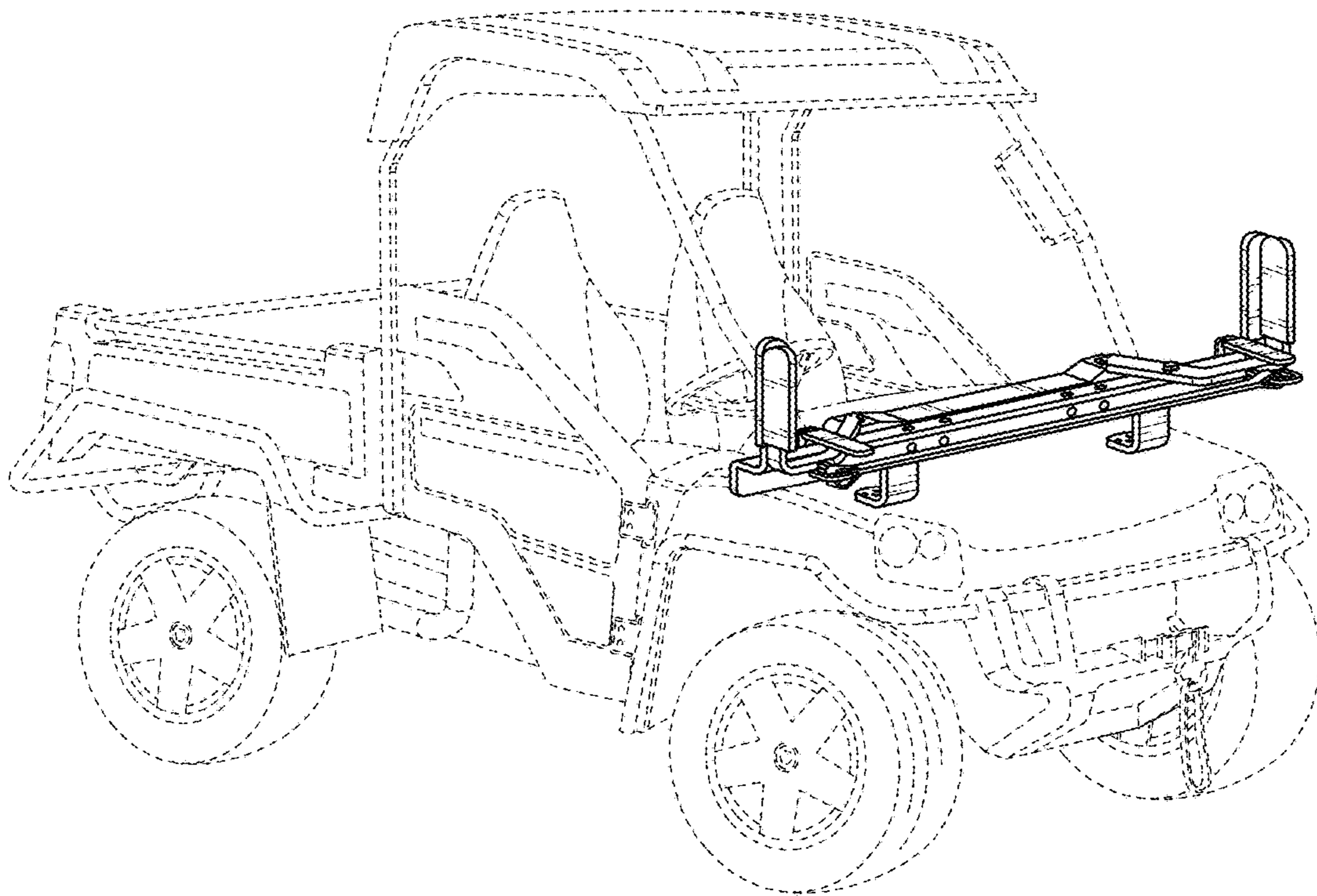


FIG. 1

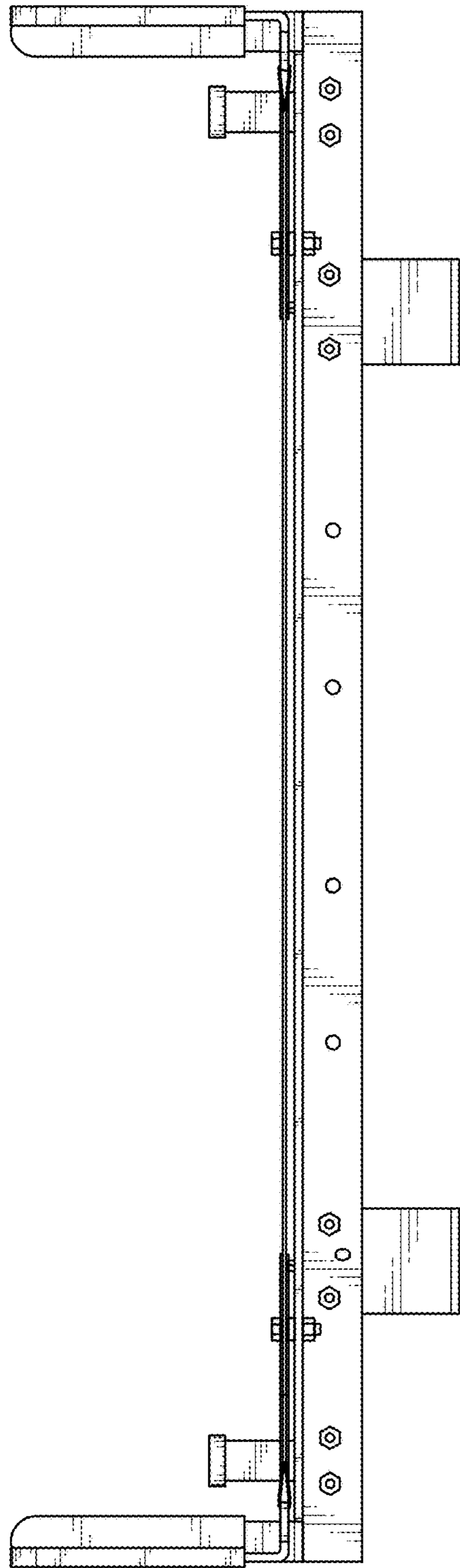


FIG. 2

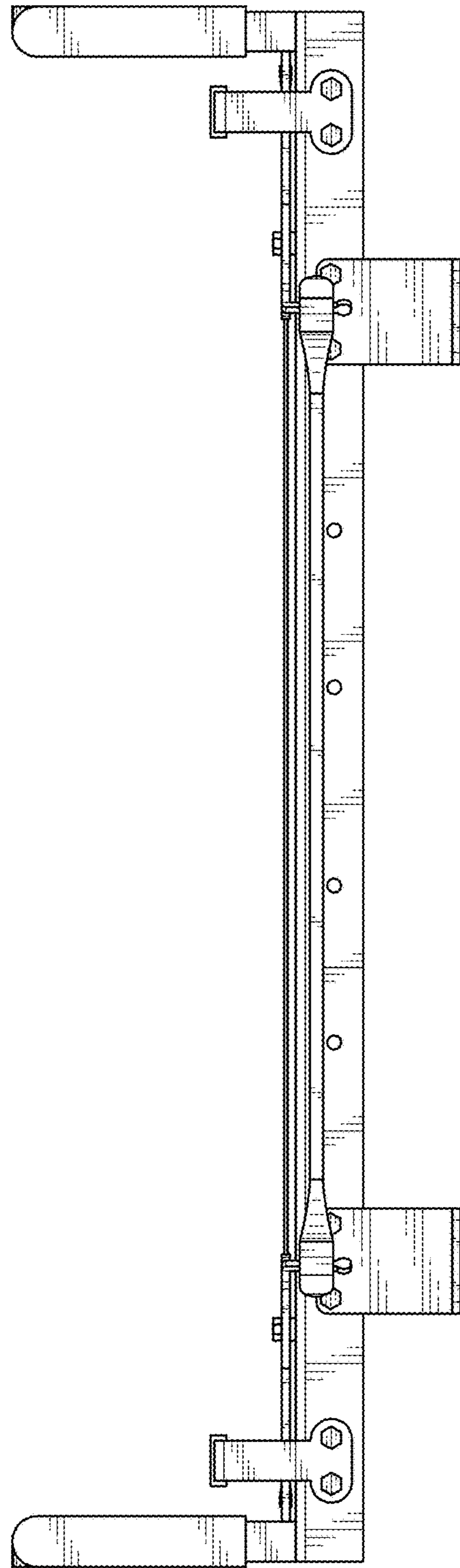


FIG. 3

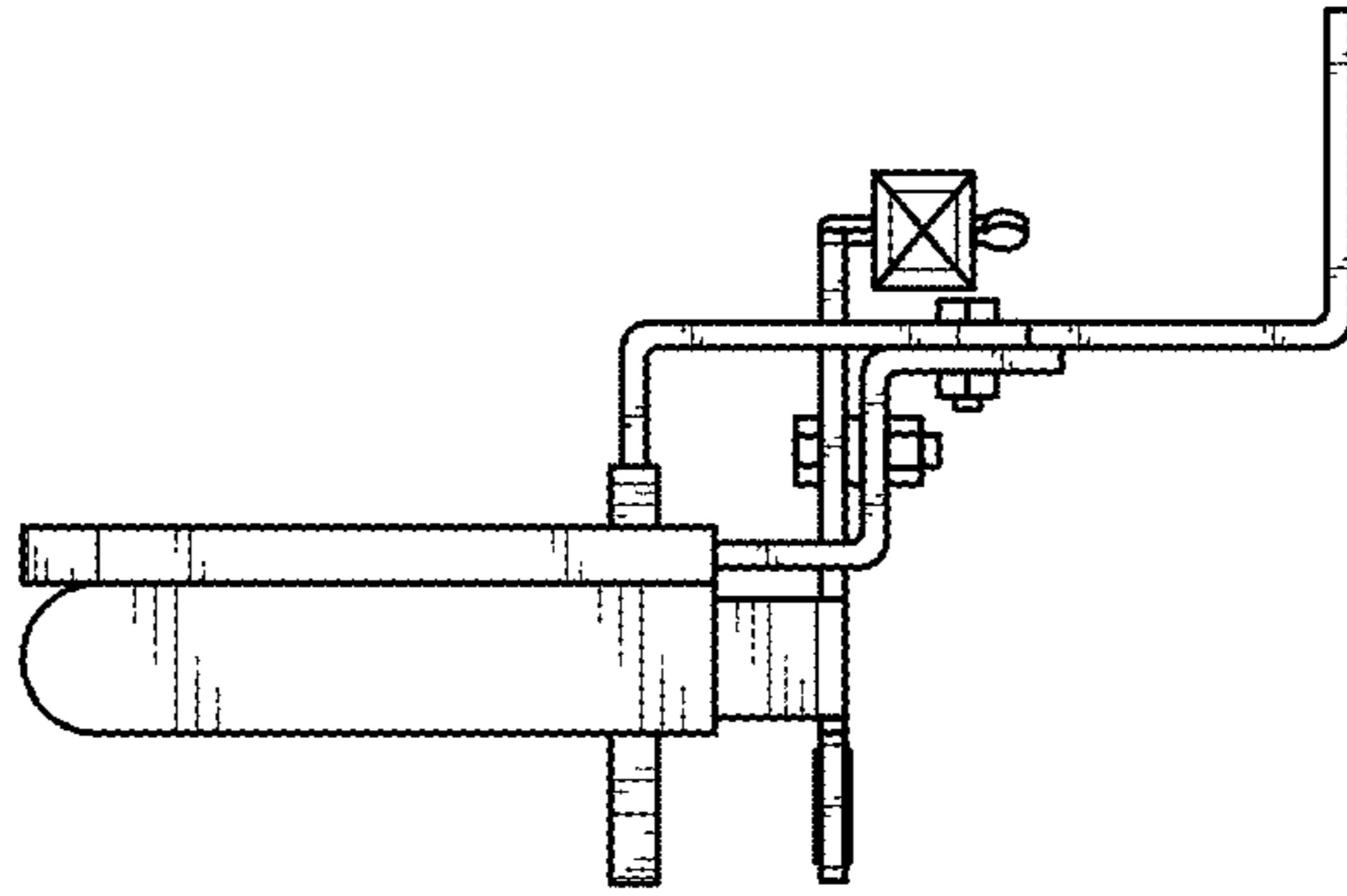


FIG. 5

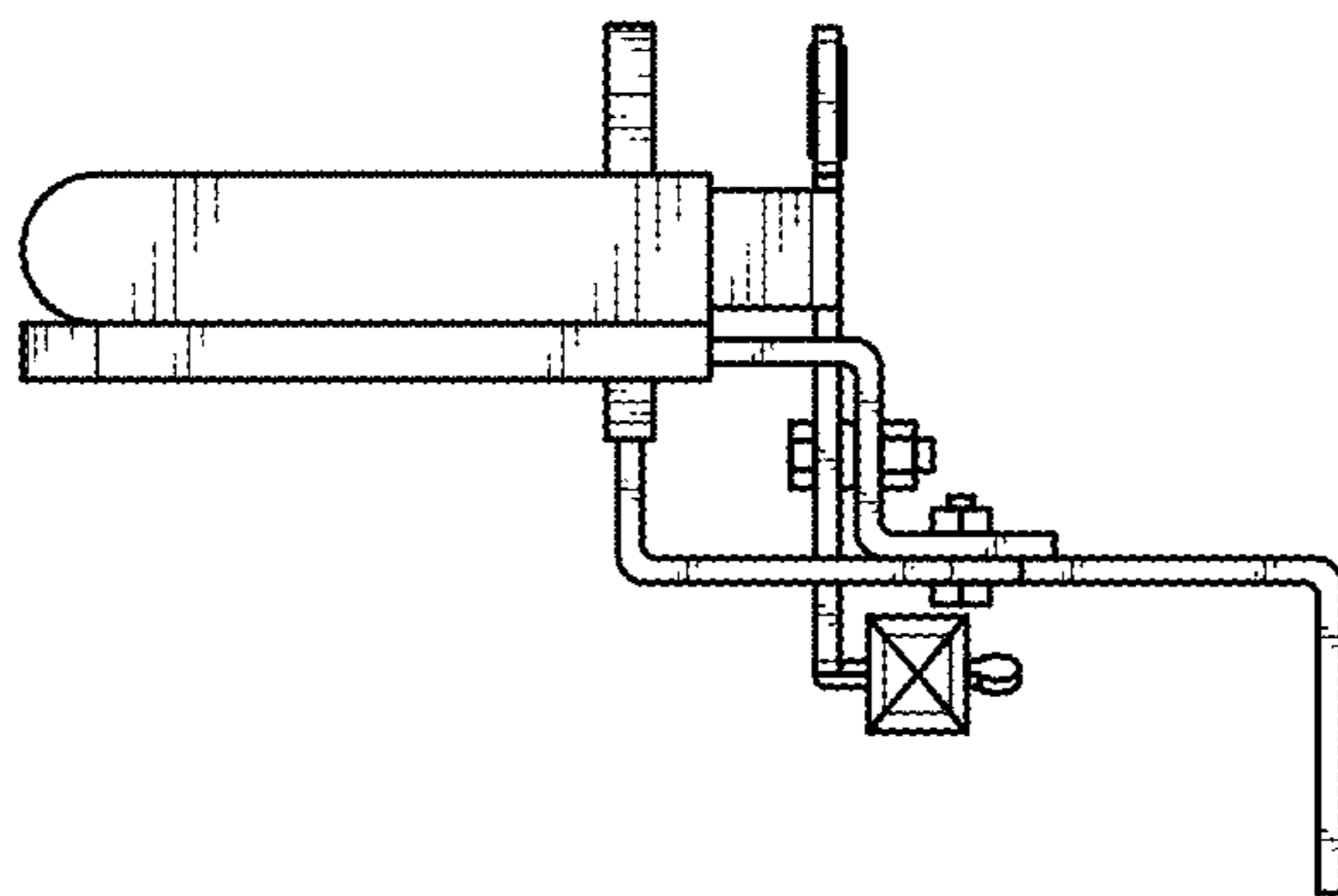


FIG. 4

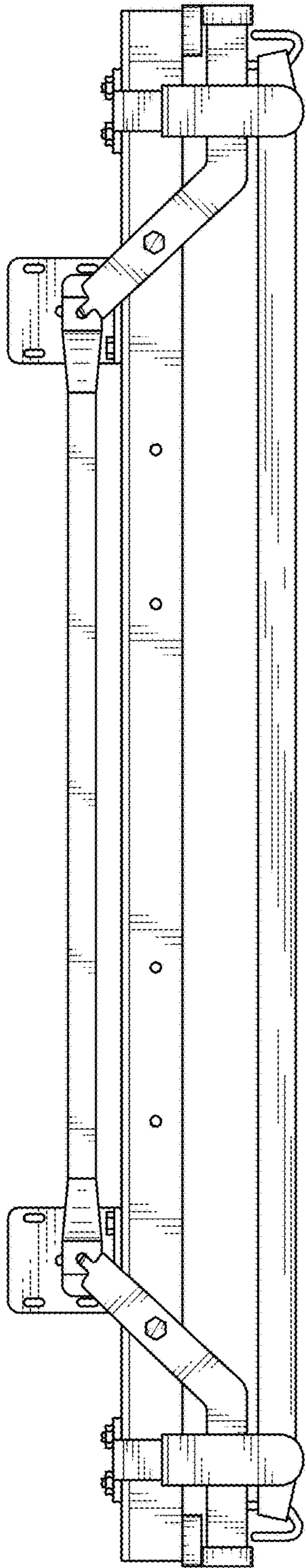


FIG. 6

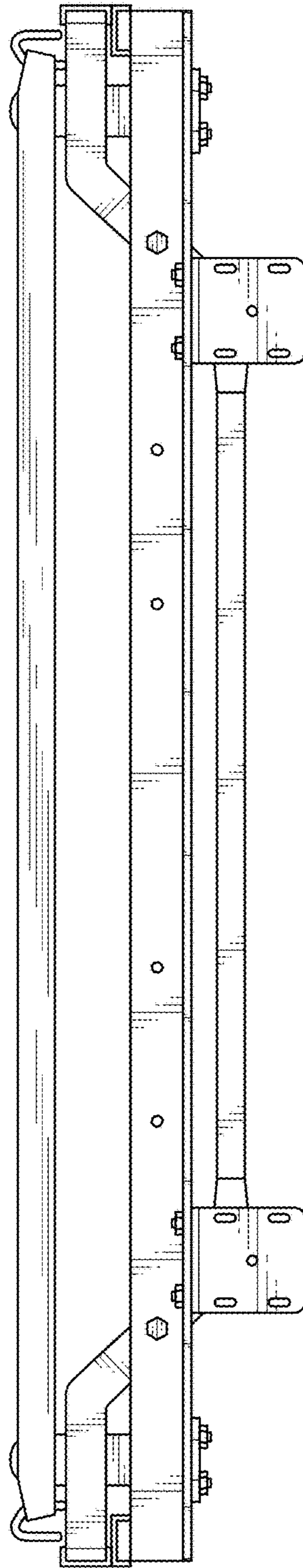


FIG. 7

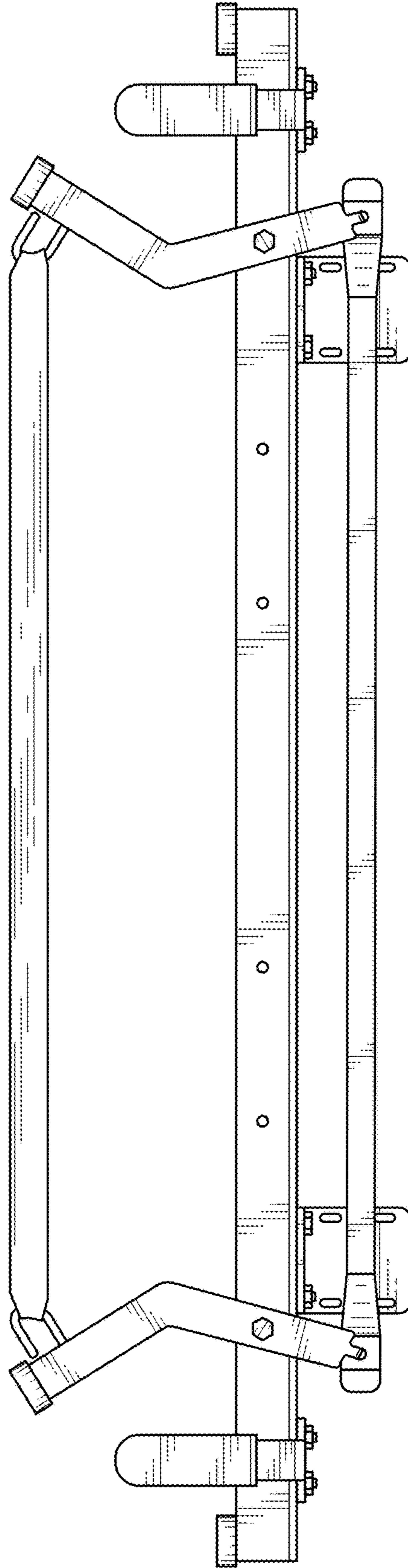


FIG. 8

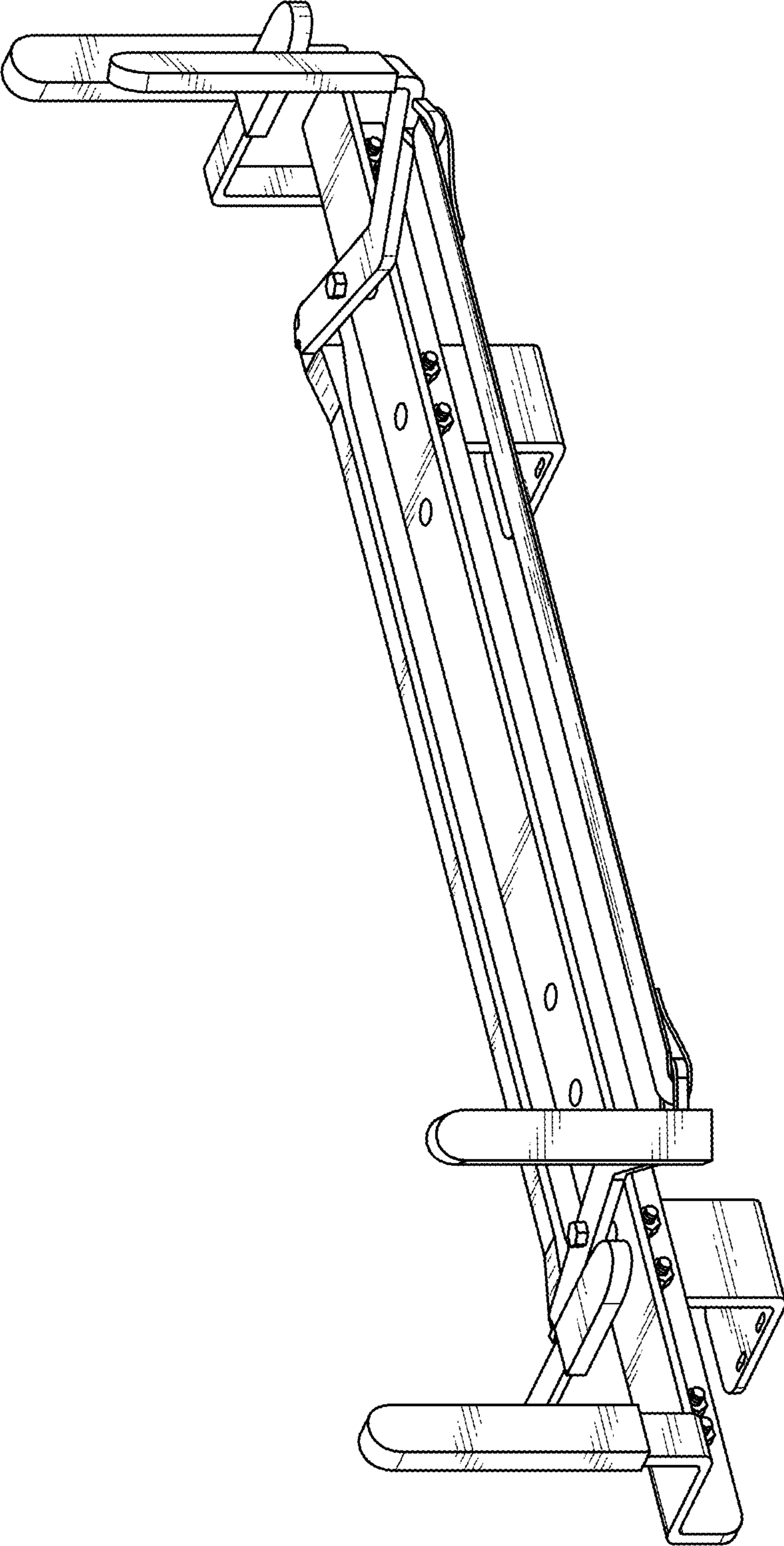


FIG. 9