

US00D817850S

(12) **United States Design Patent** (10) **Patent No.:** **US D817,850 S**
Xiao (45) **Date of Patent:** **** May 15, 2018**

(54) **QUADCOPTER**
(71) Applicant: **Guangdong Syma Model Aircraft Industrial Co., Ltd., Shantou (CN)**
(72) Inventor: **Jiongliang Xiao, Shantou (CN)**
(73) Assignee: **GUANGDONG SYMA MODEL AIRCRAFT INDUSTRIAL CO., LTD., Shantou (CN)**
(**) Term: **15 Years**
(21) Appl. No.: **29/598,504**
(22) Filed: **Mar. 27, 2017**
(30) **Foreign Application Priority Data**

Jan. 17, 2017 (CN) 2017 3 0017495
(51) **LOC (11) Cl.** **12-07**
(52) **U.S. Cl.**
USPC **D12/328; D12/16.1**
(58) **Field of Classification Search**
USPC D12/3, 16.1, 319-345; D21/436-455
CPC B64C 39/024; B64C 2201/108
See application file for complete search history.

(56) **References Cited**
U.S. PATENT DOCUMENTS
D465,196 S * 11/2002 Dammar D12/328
D691,514 S * 10/2013 Wang D12/16.1
D759,764 S * 6/2016 Lai D12/16.1
D763,134 S * 8/2016 Wang D12/16.1
D768,789 S * 10/2016 Fargeau D12/16.1
D772,991 S * 11/2016 Caubel D12/16.1
D777,263 S * 1/2017 Lavagen D12/16.1
D783,727 S * 4/2017 Xiao D21/441
D784,854 S * 4/2017 Huang D12/16.1
D785,717 S * 5/2017 Xiao D21/441
D796,586 S * 9/2017 Chen D12/16.1

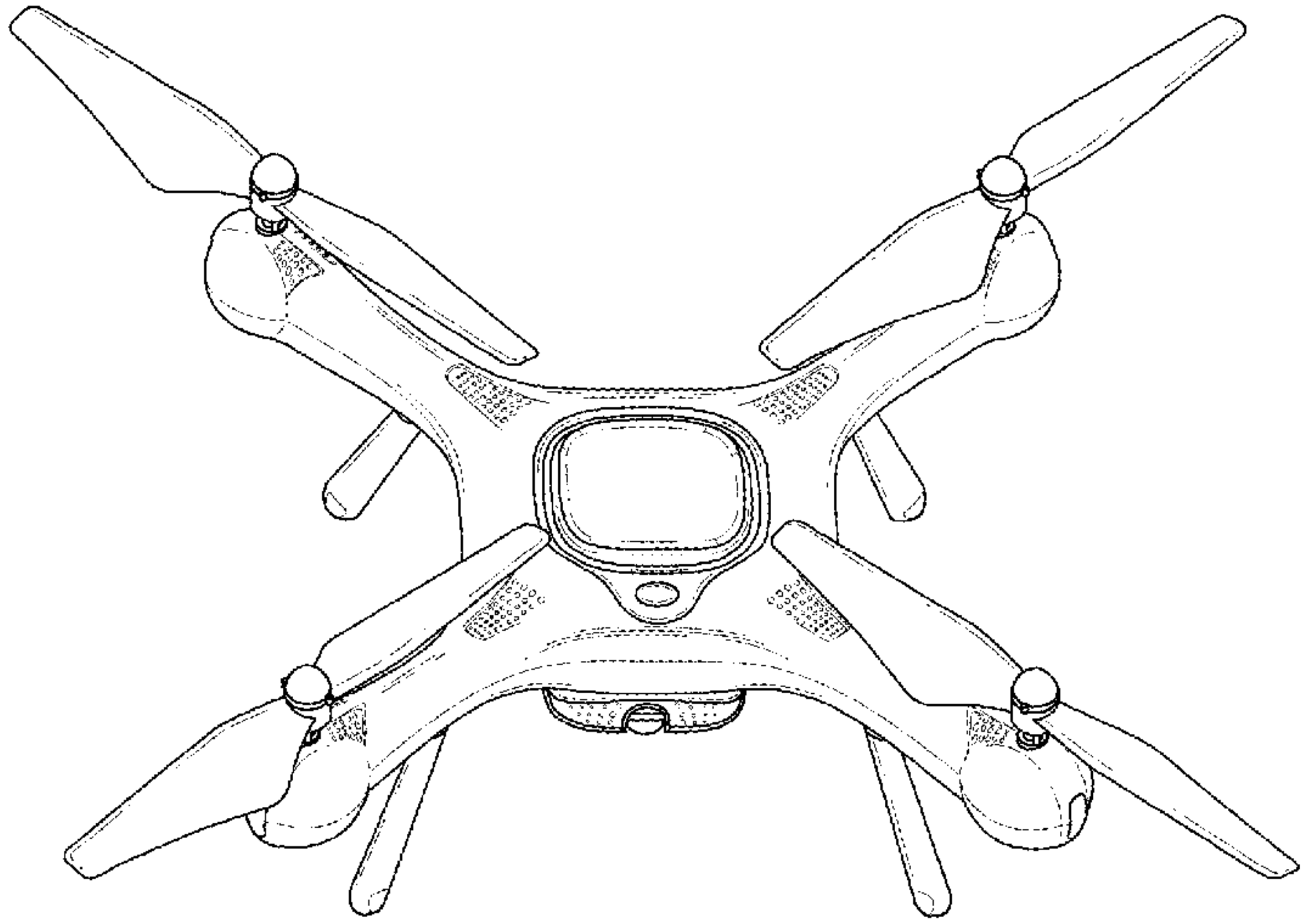
D798,961 S * 10/2017 Li D12/16.1
2014/0131510 A1 * 5/2014 Wang B64C 39/024
244/17.23
2016/0068266 A1 * 3/2016 Carroll B64C 11/20
244/53 R
2016/0122010 A1 * 5/2016 Tang G01C 19/02
244/17.23
2016/0183514 A1 * 6/2016 Dederick A01M 29/06
119/713
2016/0244176 A1 * 8/2016 Xiao B60L 7/10
2016/0313742 A1 * 10/2016 Wang G05D 1/0669
2017/0137127 A1 * 5/2017 Cheng B64C 39/024
2017/0197718 A1 * 7/2017 Buchmueller B64D 1/22
2017/0203836 A1 * 7/2017 Xiao B64C 27/006
2017/0225792 A1 * 8/2017 Wang B64D 17/70
2017/0269609 A1 * 9/2017 Bradlow G05D 1/102
2017/0274983 A1 * 9/2017 Beckman B64C 11/48
2017/0295069 A1 * 10/2017 Sweet, III H04L 41/12
2017/0297445 A1 * 10/2017 Zheng B60L 11/1835

* cited by examiner
Primary Examiner — Robert M. Spear
Assistant Examiner — Marissa J Cash
(74) *Attorney, Agent, or Firm* — Ming Chow; Sinorica, LLC

(57) **CLAIM**
The ornamental design for a quadcopter, as shown and described.

DESCRIPTION
FIG. 1 is a perspective view of the quadcopter showing my new design;
FIG. 2 is a front elevation view thereof;
FIG. 3 is a rear elevation view thereof;
FIG. 4 is left side view thereof;
FIG. 5 is a top plan view thereof;
FIG. 6 is a bottom plan view thereof; and,
FIG. 7 is a perspective view of the quadcopter from another angle of view showing my new design.

1 Claim, 7 Drawing Sheets



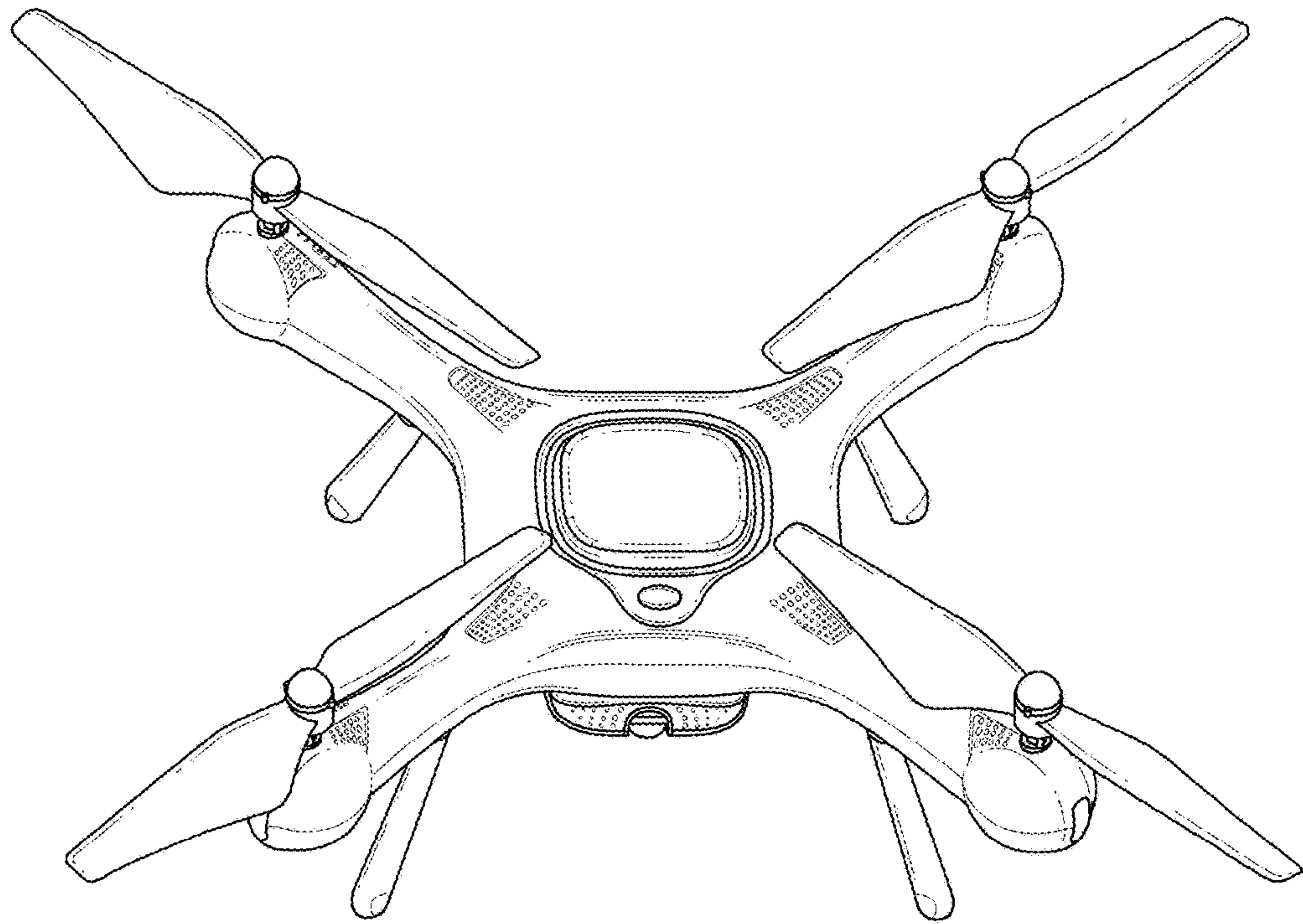


FIG.1

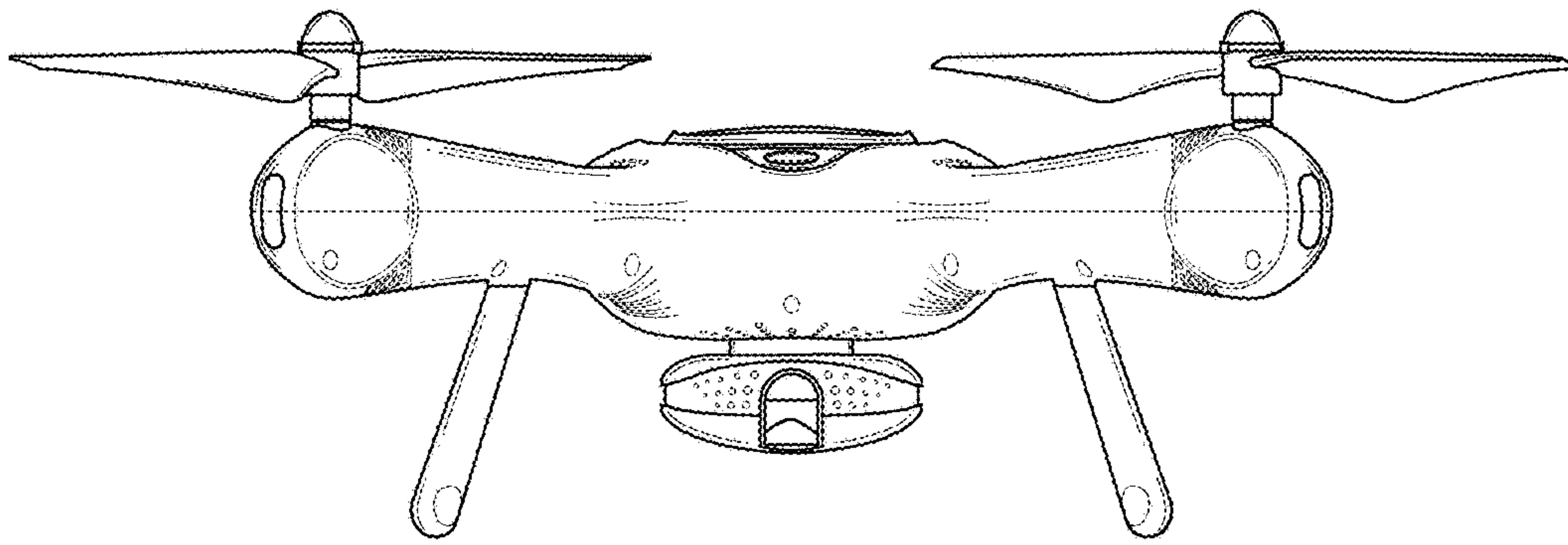


FIG.2

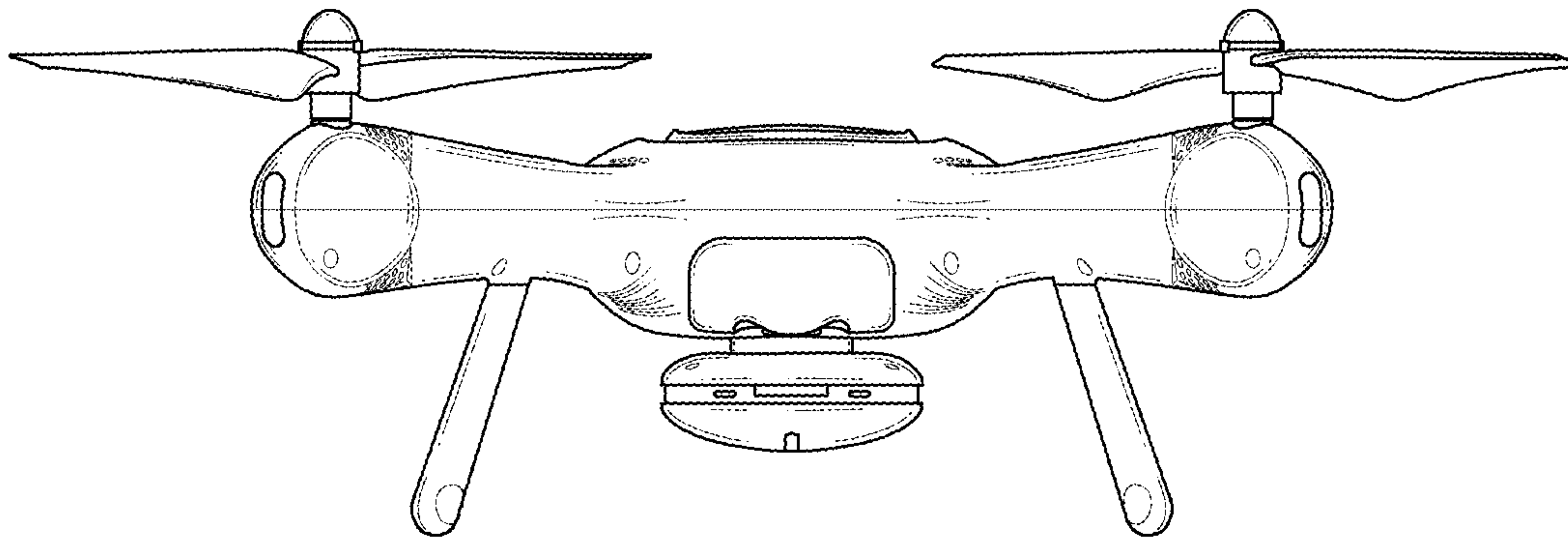


FIG.3

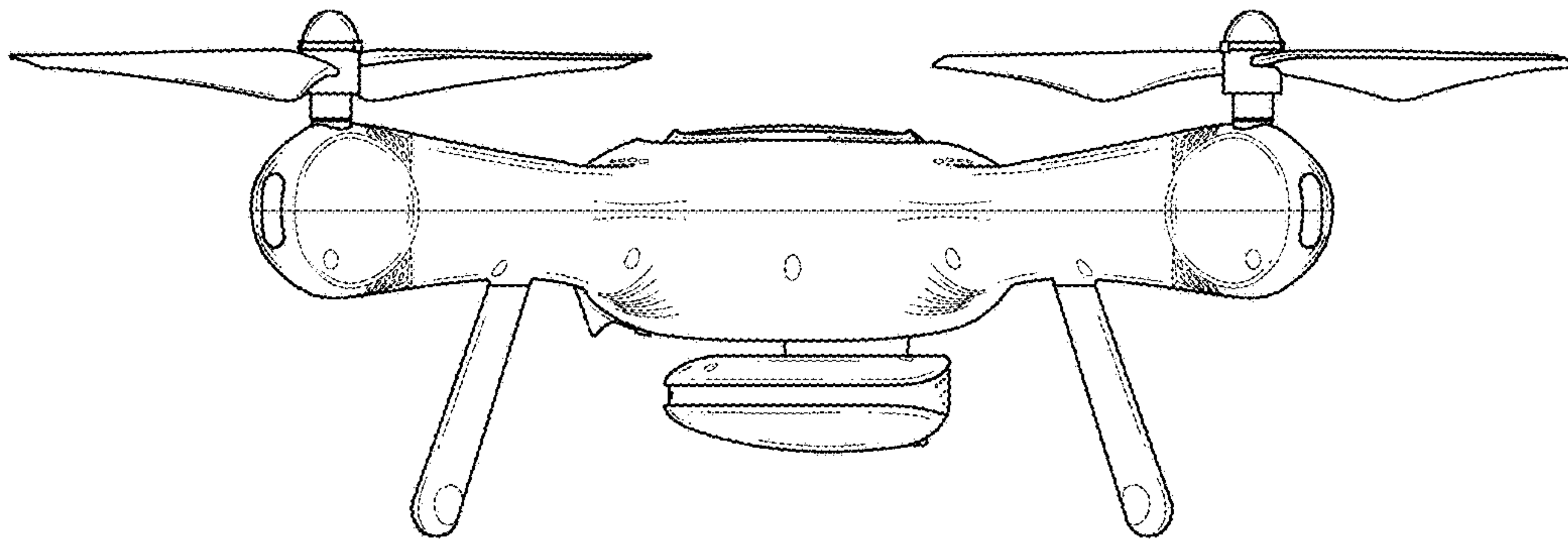


FIG.4

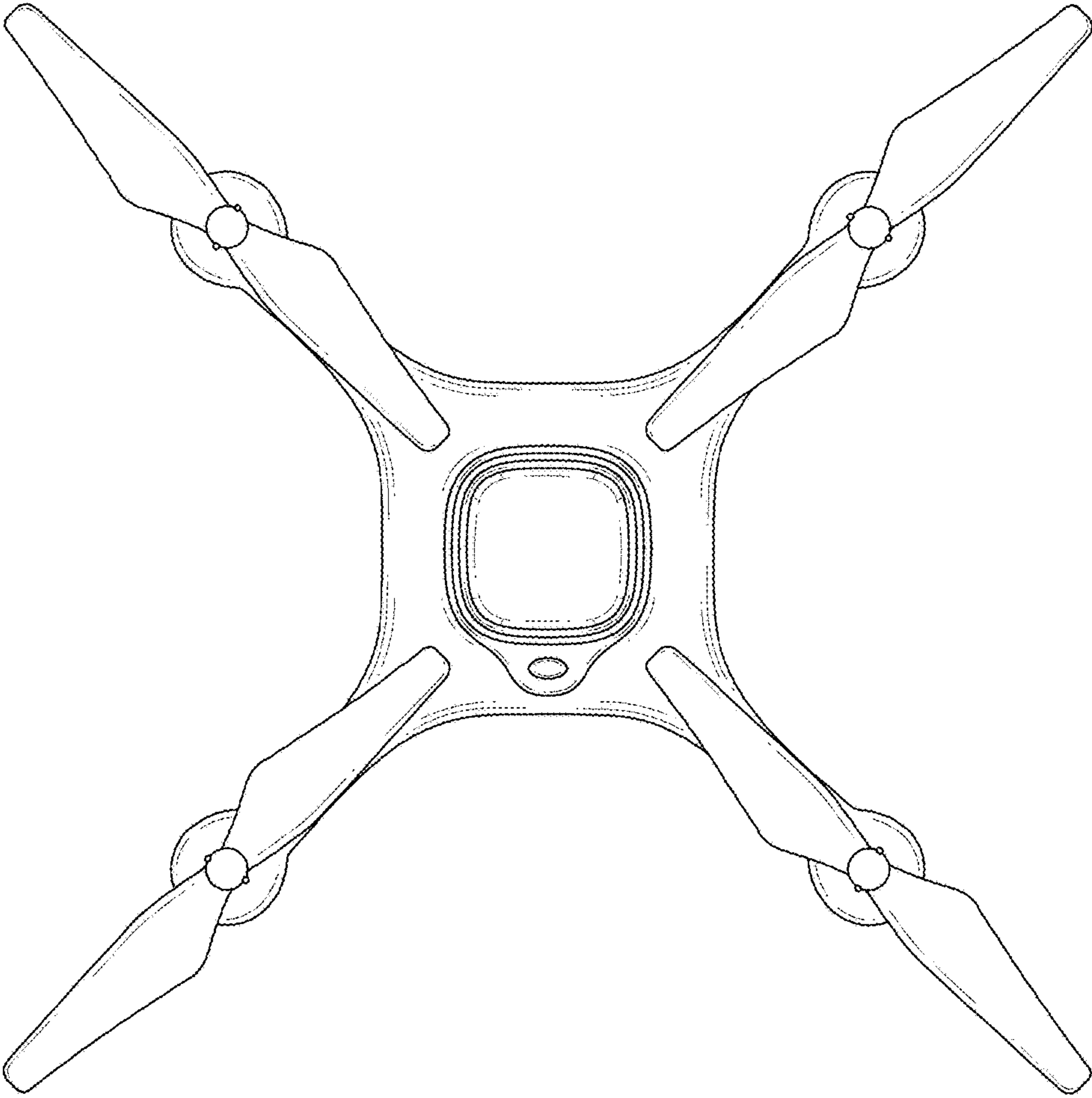


FIG.5

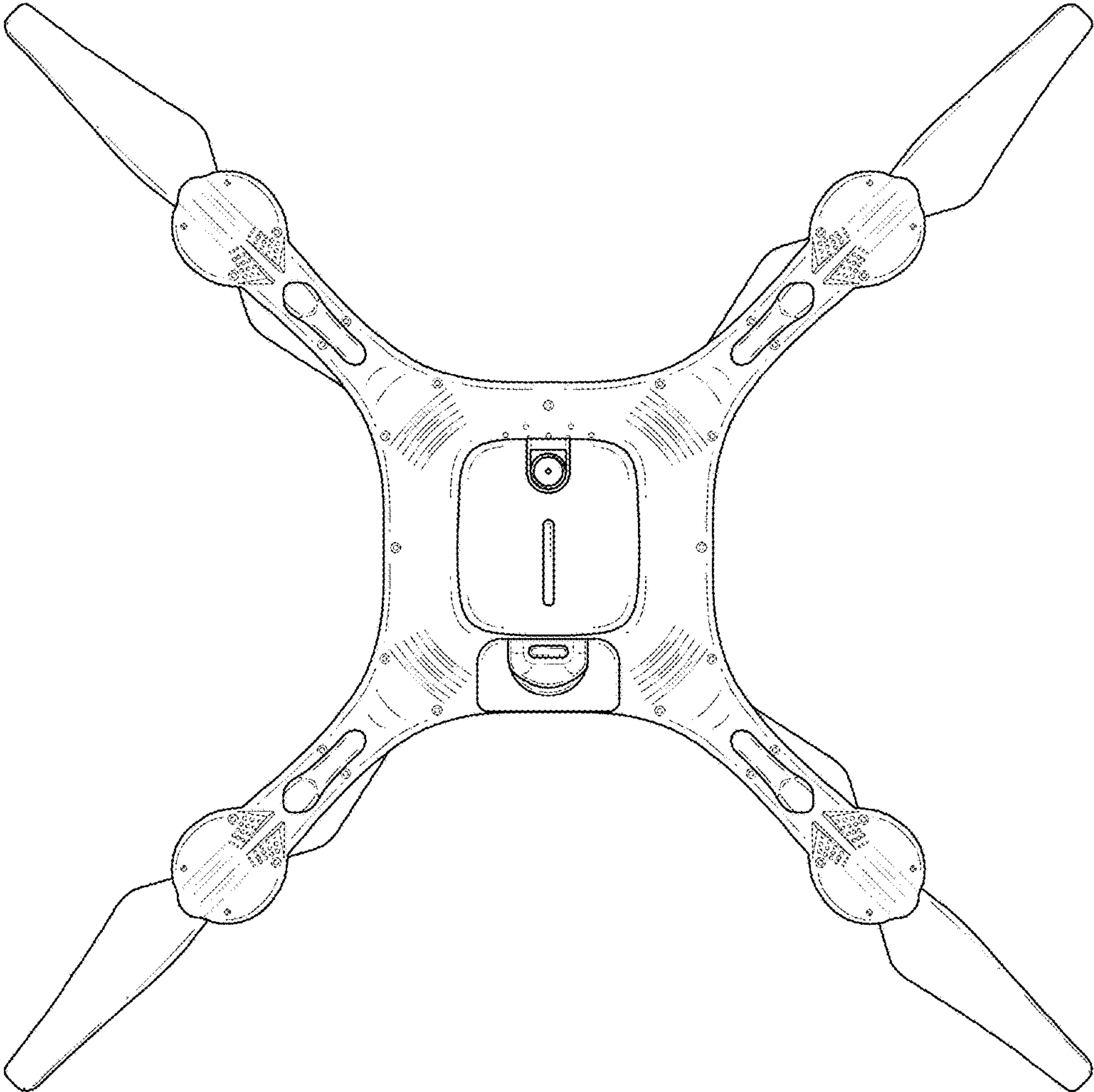


FIG.6

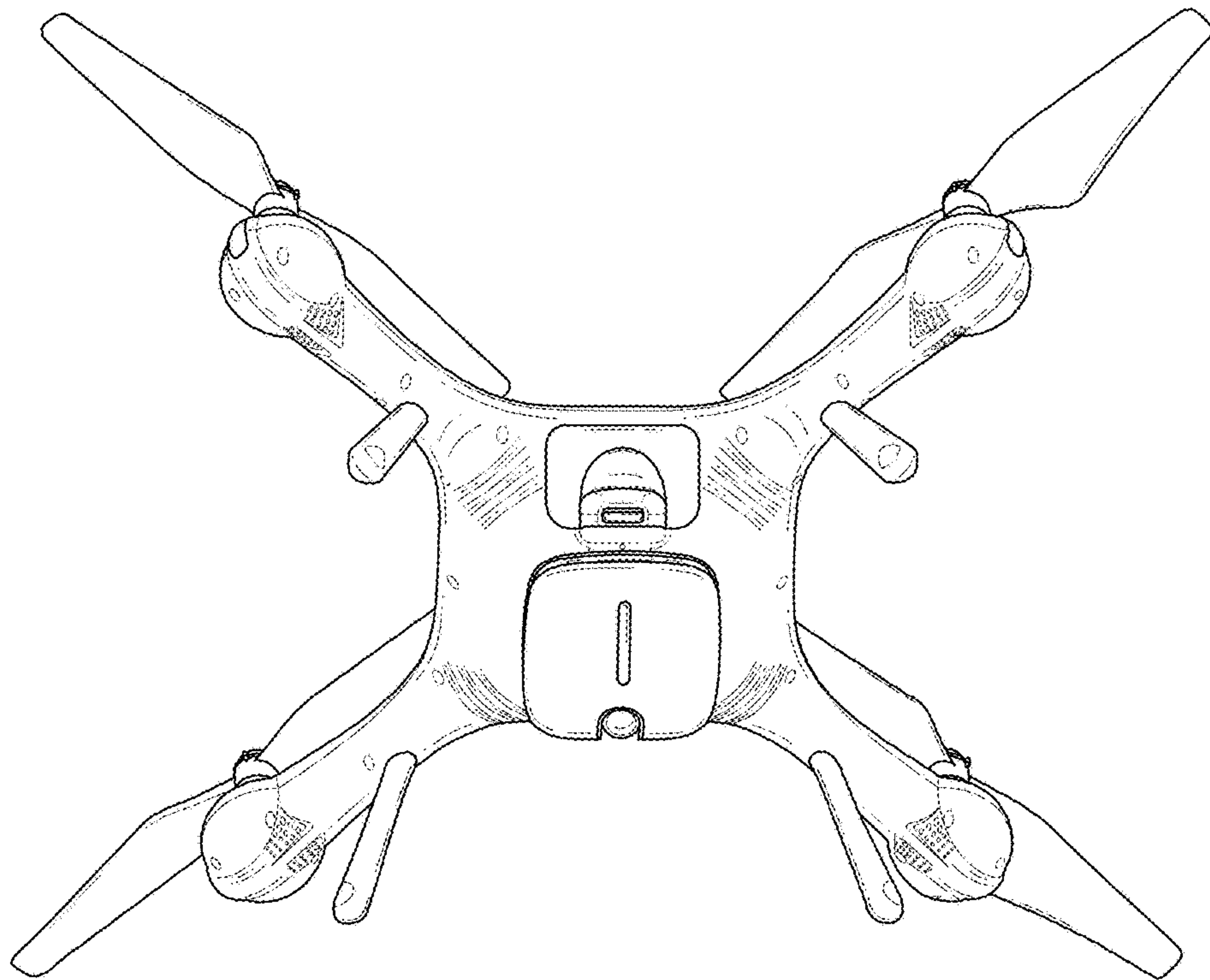


FIG.7