



US00D817849S

(12) **United States Design Patent**
Yamamoto

(10) **Patent No.:** **US D817,849 S**
(45) **Date of Patent:** **** May 15, 2018**

- (54) **WATER SCOOTER**
- (71) Applicant: **Yamaha Hatsudoki Kabushiki Kaisha**,
Shizuoka-ken (JP)
- (72) Inventor: **Hisashi Yamamoto**, Kyoto (JP)
- (73) Assignee: **YAMAHA HATSUDOKI**
KABUSHIKI KAISHA (JP)
- (**) Term: **15 Years**
- (21) Appl. No.: **29/540,389**
- (22) Filed: **Sep. 24, 2015**
- (51) **LOC (11) Cl.** **12-06**
- (52) **U.S. Cl.**
USPC **D12/307**
- (58) **Field of Classification Search**
USPC D12/6-11, 119, 300-318; 114/55.5,
114/55.51-55.58, 345; D21/770
CPC B63B 35/73; B63B 35/731
See application file for complete search history.

| | | | | |
|-------------------|---------|----------|-------|--------------------------|
| D637,544 S * | 5/2011 | Cote | | D12/307 |
| D650,317 S * | 12/2011 | Yamamoto | | D12/307 |
| D686,967 S * | 7/2013 | Yamamoto | | D12/307 |
| D693,286 S * | 11/2013 | Cote | | D12/307 |
| D750,006 S * | 2/2016 | Yamamoto | | D12/307 |
| 2004/0168622 A1 * | 9/2004 | Thompson | | B63B 35/731 114/55.5 |
| 2009/0194010 A1 * | 8/2009 | Spade | | B63B 35/731 114/55.57 |

* cited by examiner

Primary Examiner — Cynthia M Chin

(74) *Attorney, Agent, or Firm* — Ostrolenk Faber LLP

(57) **CLAIM**

The ornamental design for a water scooter, as shown and described.

DESCRIPTION

FIG. 1 is a first perspective view of a water scooter;
FIG. 2 is a second perspective view thereof;
FIG. 3 is a front view thereof;
FIG. 4 is a rear view thereof;
FIG. 5 is a left side view thereof;
FIG. 6 is a right side view thereof;
FIG. 7 is a top view thereof; and,
FIG. 8 is a bottom view thereof.

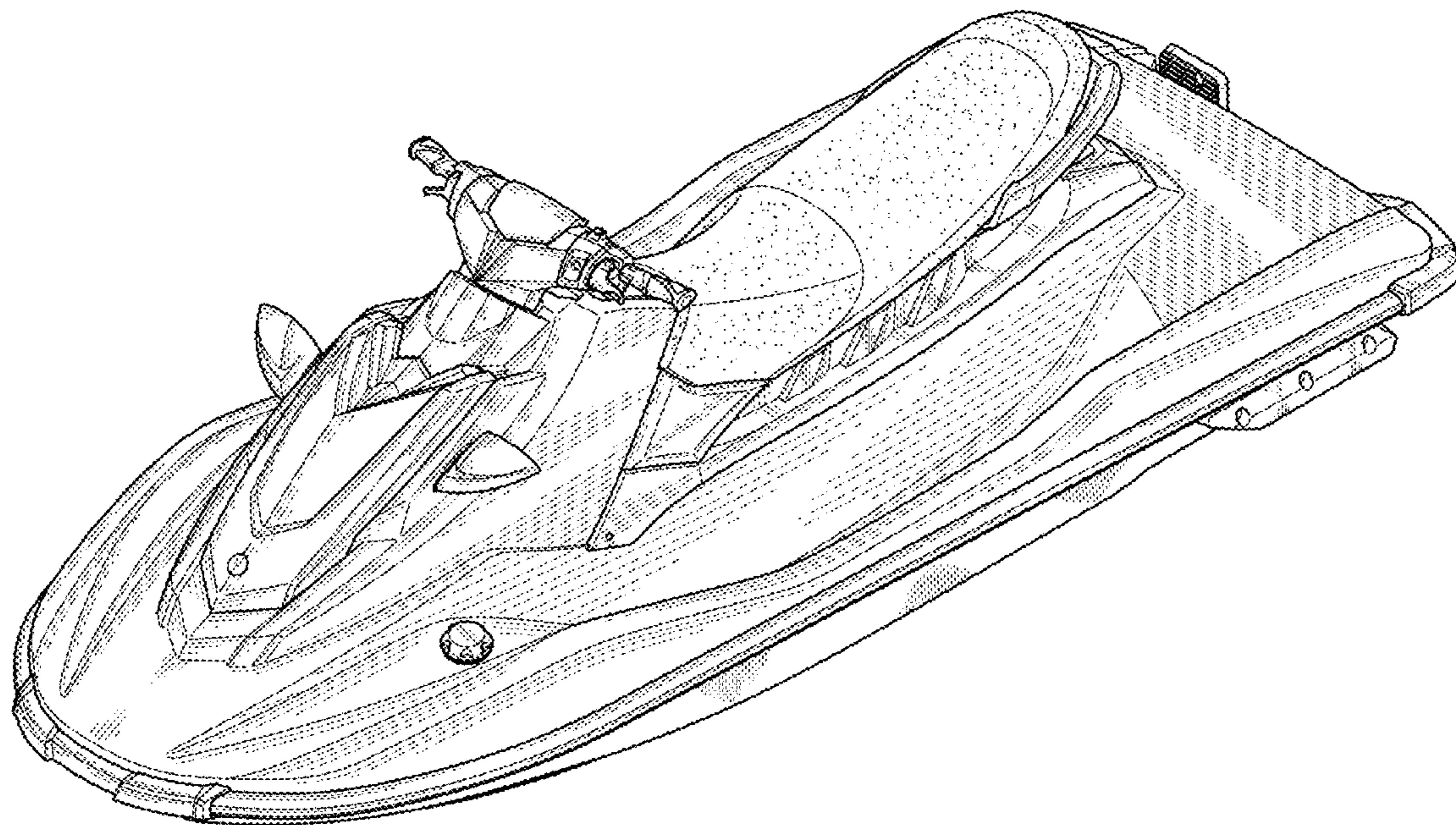
The broken lines illustrate portions of the article that form no part of the claimed design.

1 Claim, 8 Drawing Sheets

(56) **References Cited**

U.S. PATENT DOCUMENTS

| | | | | |
|--------------|---------|---------|-------|---------|
| D464,016 S * | 10/2002 | Orr | | D12/307 |
| D550,603 S * | 9/2007 | Cote | | D12/307 |
| D569,781 S * | 5/2008 | Hattori | | D12/307 |
| D608,719 S * | 1/2010 | Cote | | D12/307 |
| D632,632 S * | 2/2011 | Cote | | D12/307 |



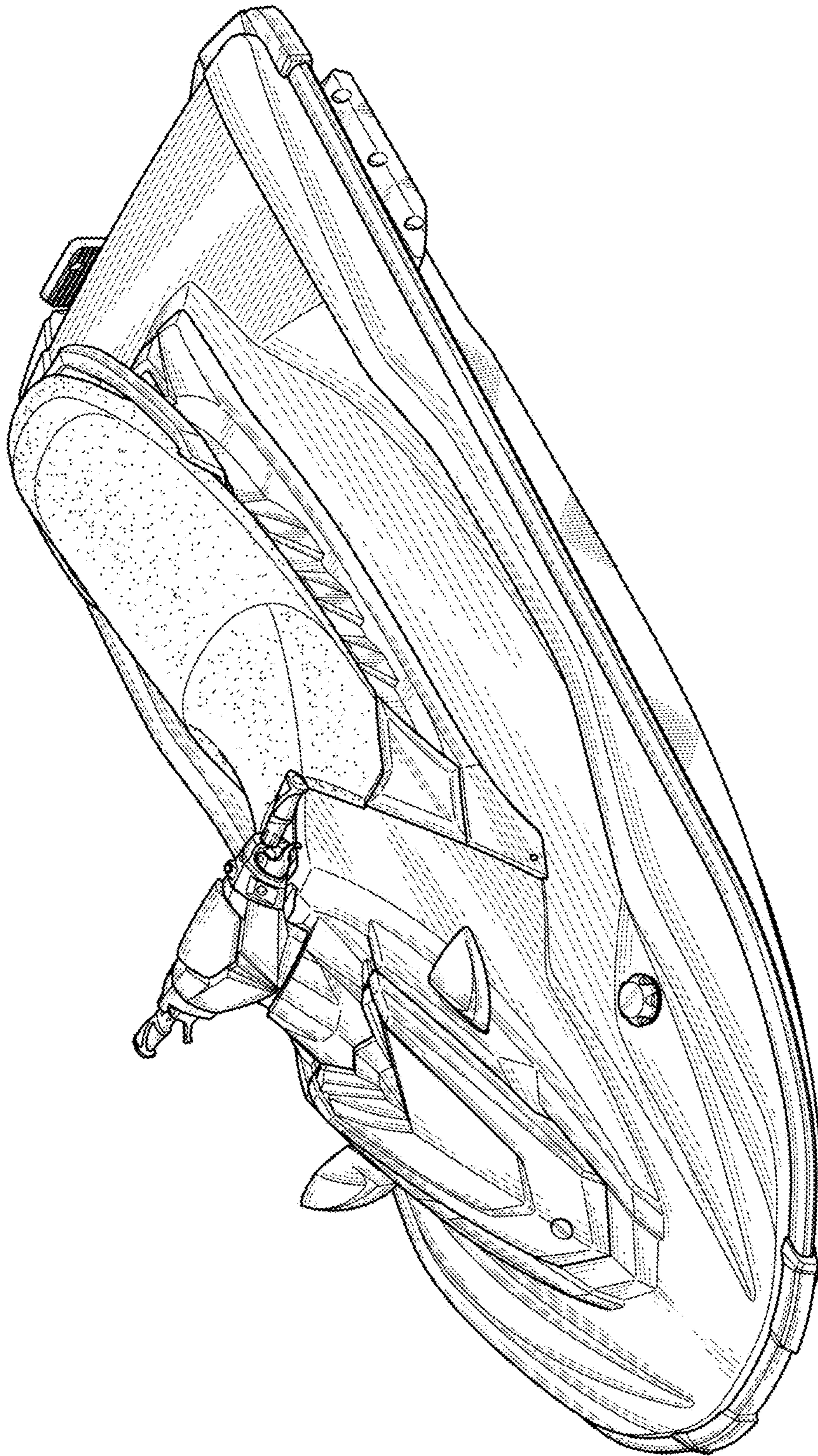


Fig. 1

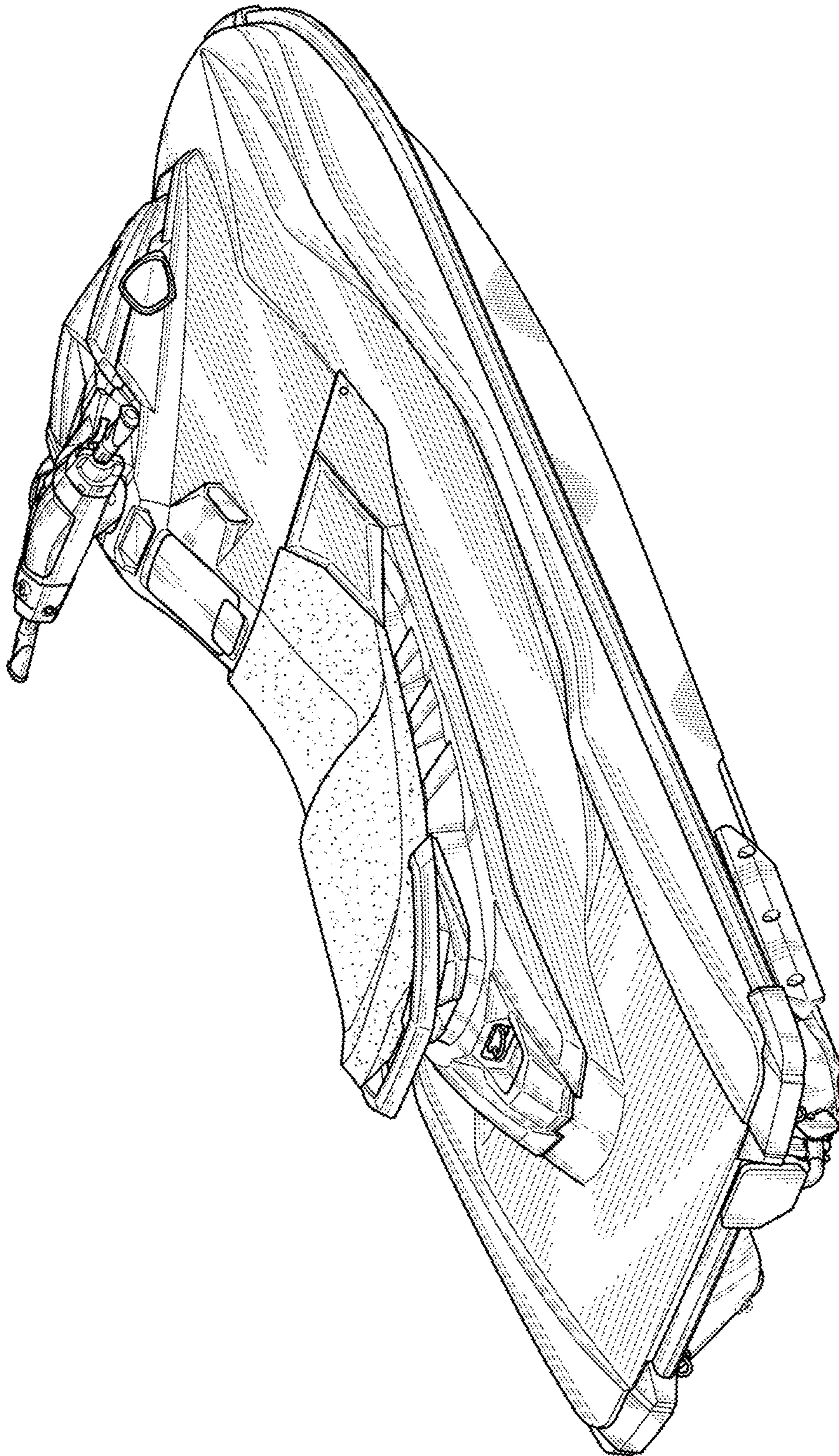


Fig.2

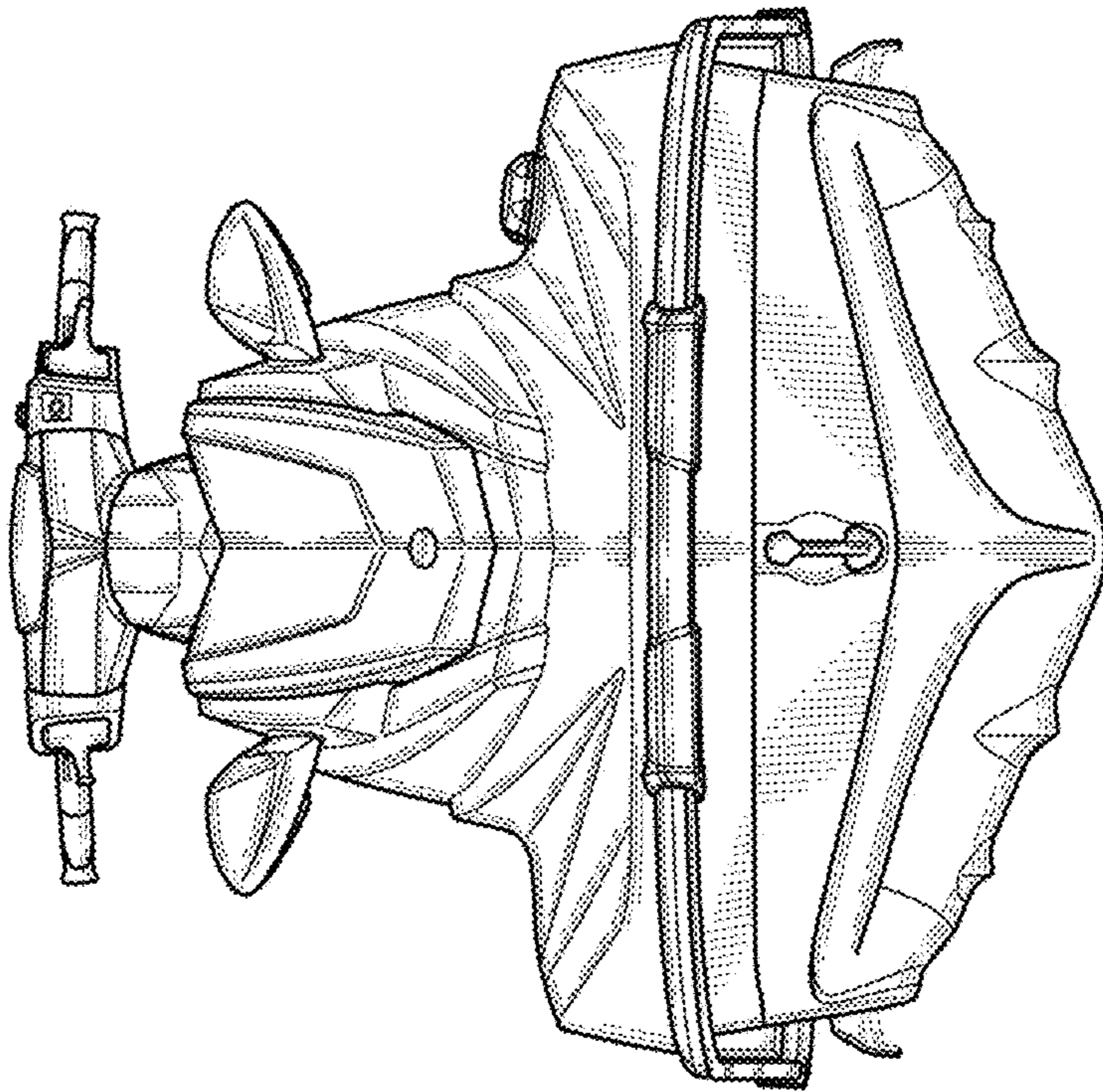


Fig. 3

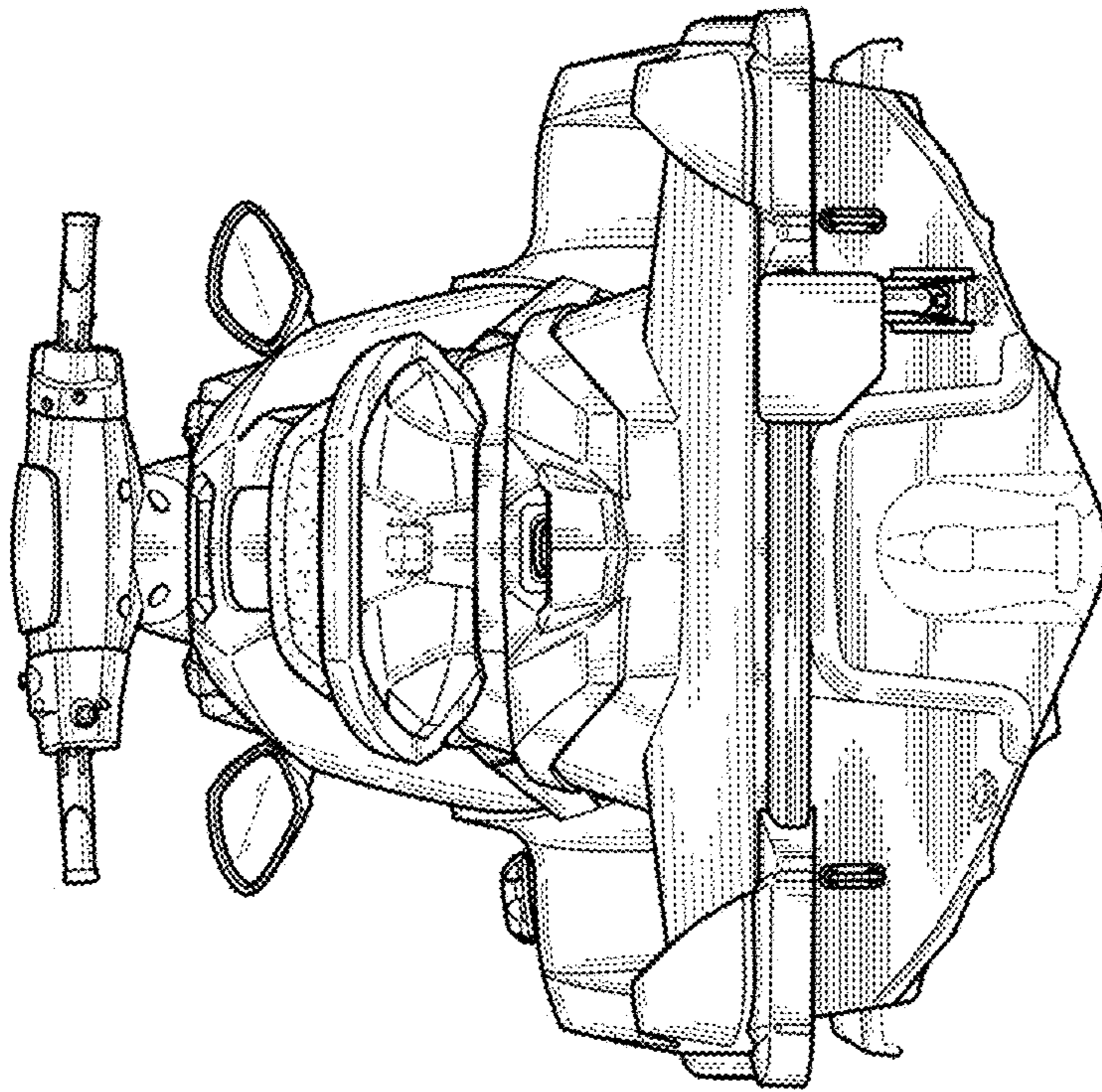


Fig.4

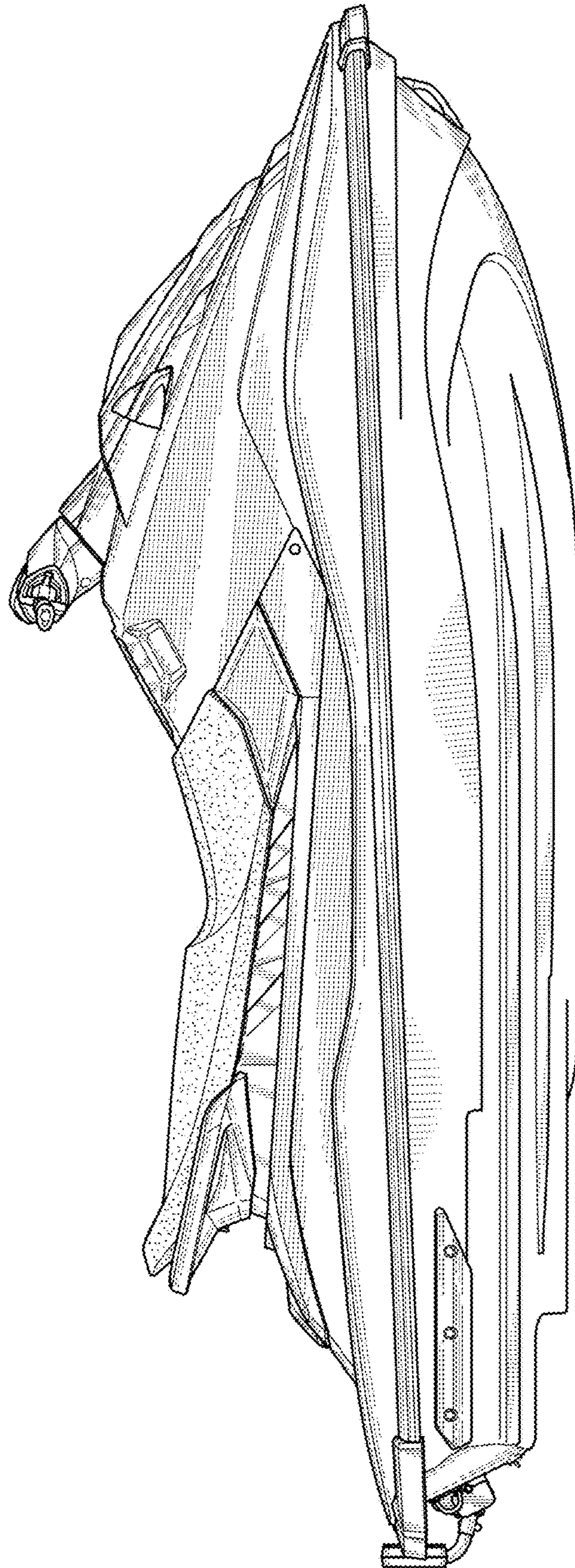


Fig. 5

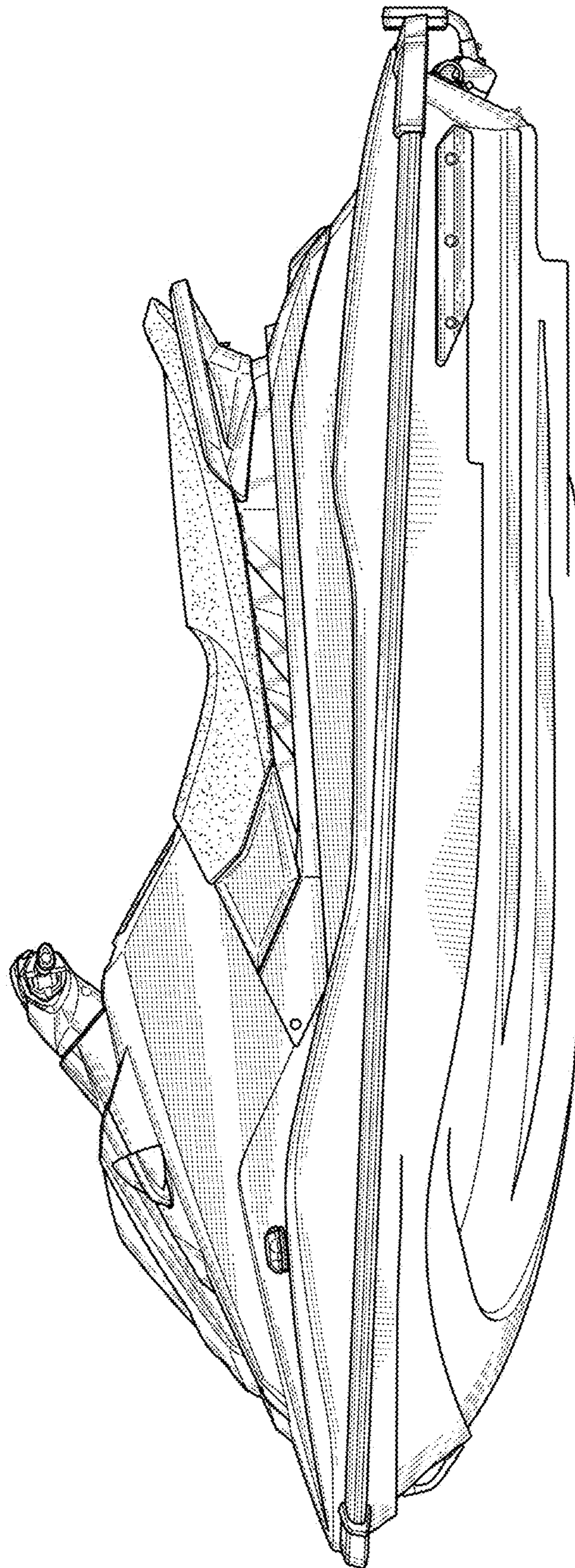


Fig. 6

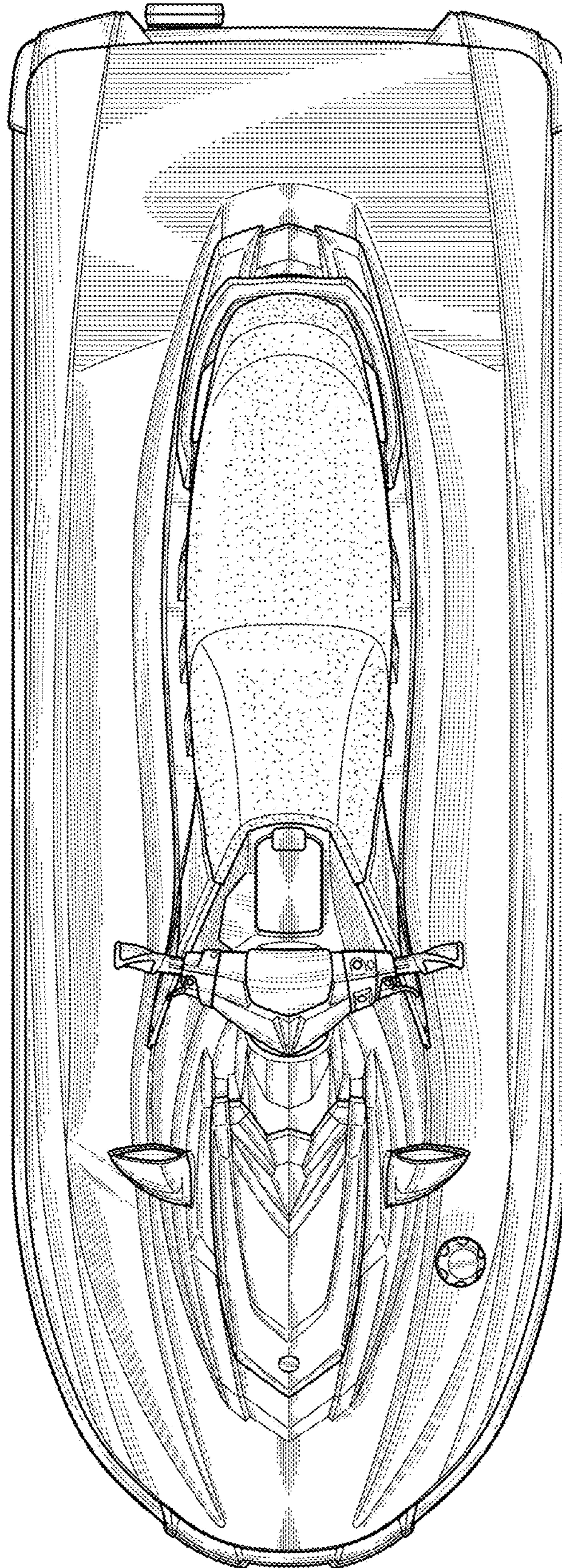


Fig. 7

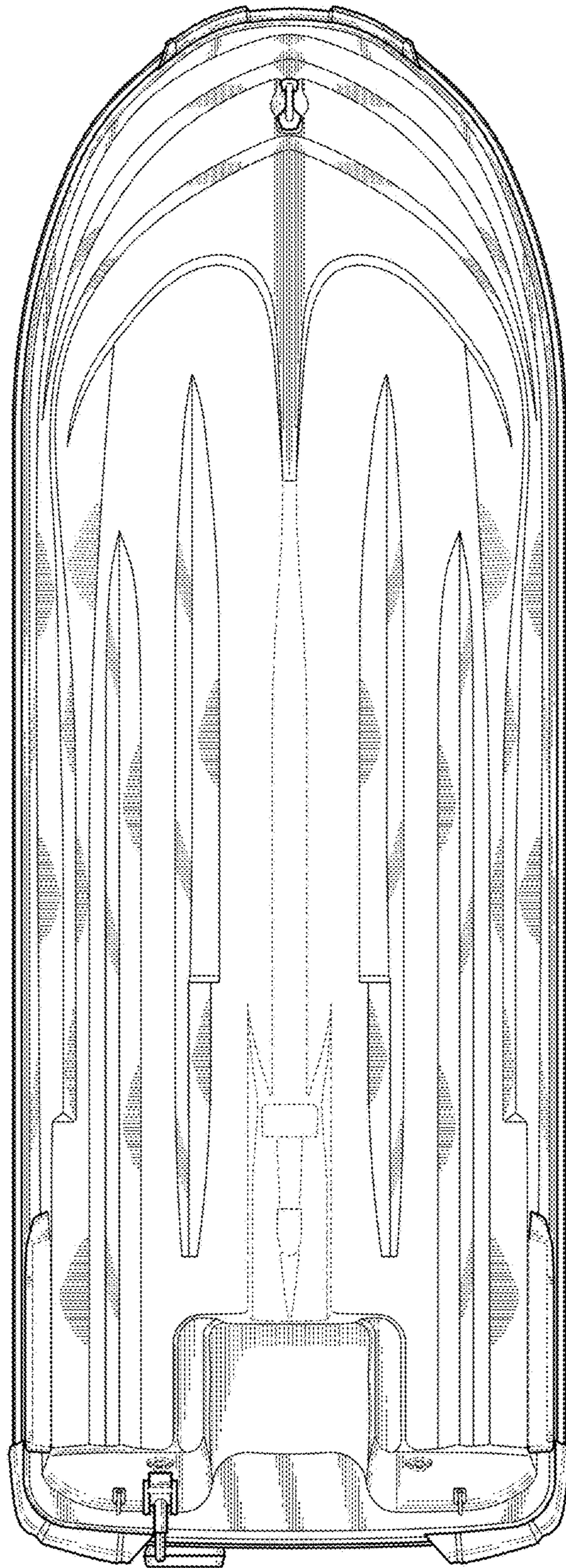


Fig. 8